

LTH 120

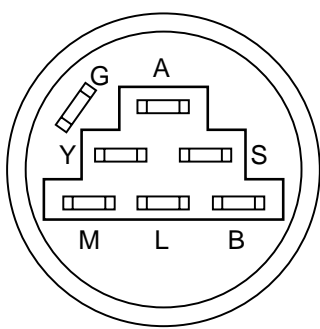
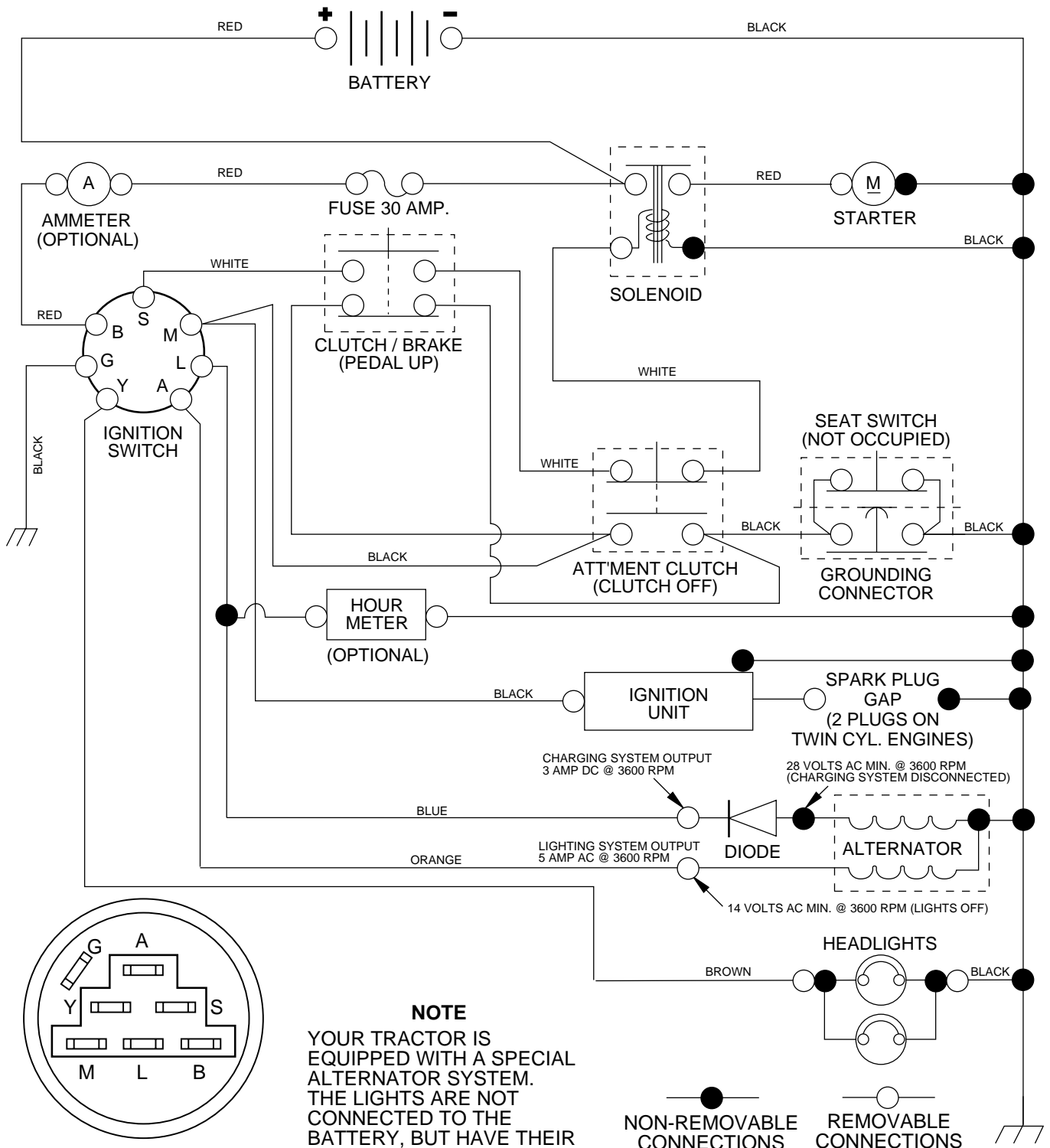


1.1997
Spare Parts

954 14 00-03B

TRACTOR - MODEL NO. LTH120 (95414003B), PRODUCT NO. 954 14 00-03

SCHEMATIC



IGNITION SWITCH

POSITION	CIRCUIT	"MAKE"
OFF	G + M + L	NONE
RUN/LIGHT	B + L	A + Y
RUN	B + L	NONE
START	B + L + S	NONE

NOTE

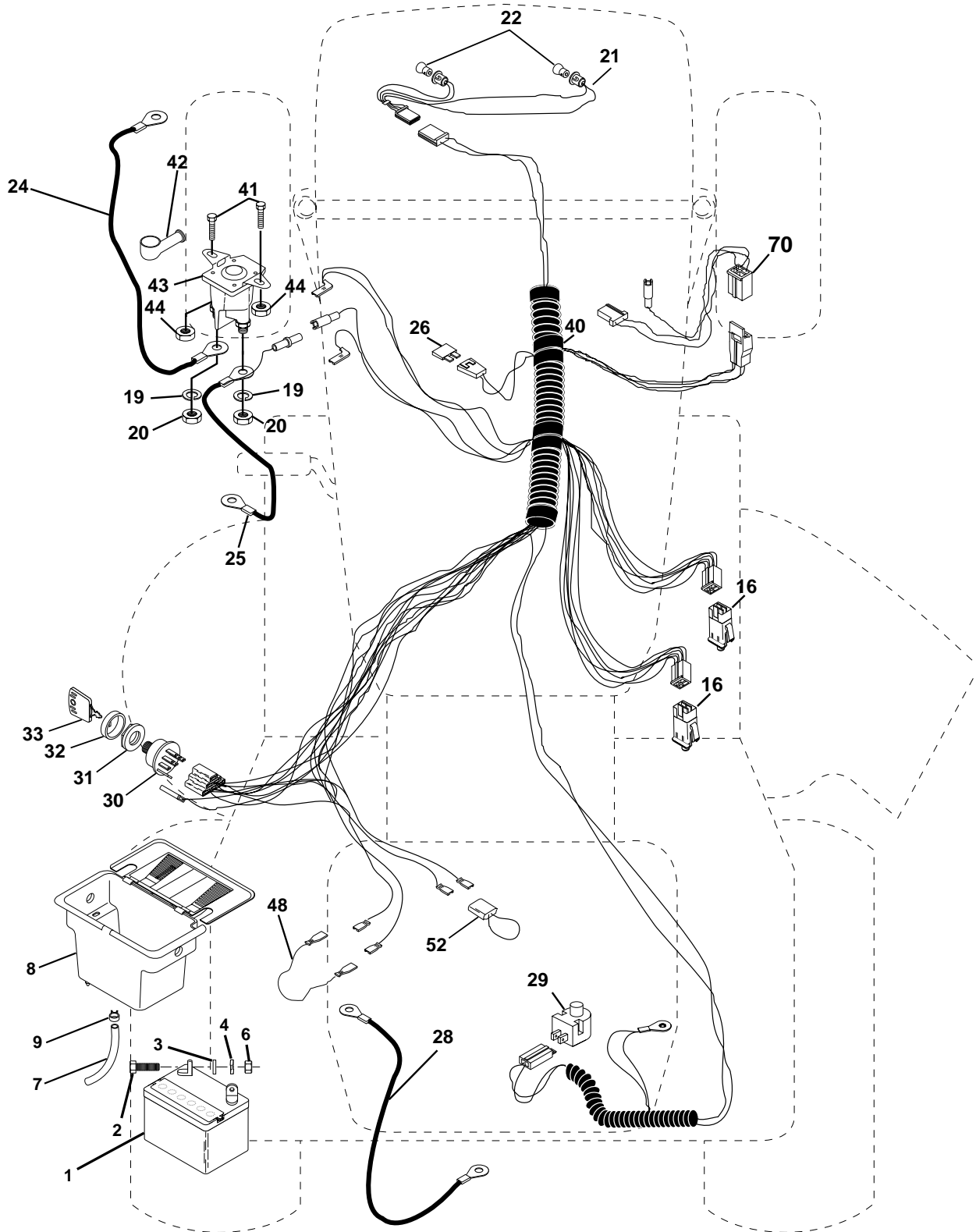
YOUR TRACTOR IS EQUIPPED WITH A SPECIAL ALTERNATOR SYSTEM. THE LIGHTS ARE NOT CONNECTED TO THE BATTERY, BUT HAVE THEIR OWN ELECTRICAL SOURCE. BECAUSE OF THIS, THE BRIGHTNESS OF THE LIGHTS WILL CHANGE WITH ENGINE SPEED. AT IDLE THE LIGHTS WILL DIM. AS THE ENGINE IS SPEEDED UP, THE LIGHTS WILL BECOME THEIR BRIGHTEST.

WIRING INSULATED CLIPS

NOTE: IF WIRING INSULATED CLIPS WERE REMOVED FOR SERVICING OF UNIT, THEY SHOULD BE REPLACED TO PROPERLY SECURE YOUR WIRING.

REPAIR PARTS

TRACTOR - MODEL NO. LTH120 (954140003B), PRODUCT NO. 954 14 00-03
ELECTRICAL



REPAIR PARTS

TRACTOR - MODEL NO. LTH120 (954140003B), PRODUCT NO. 954 14 00-03

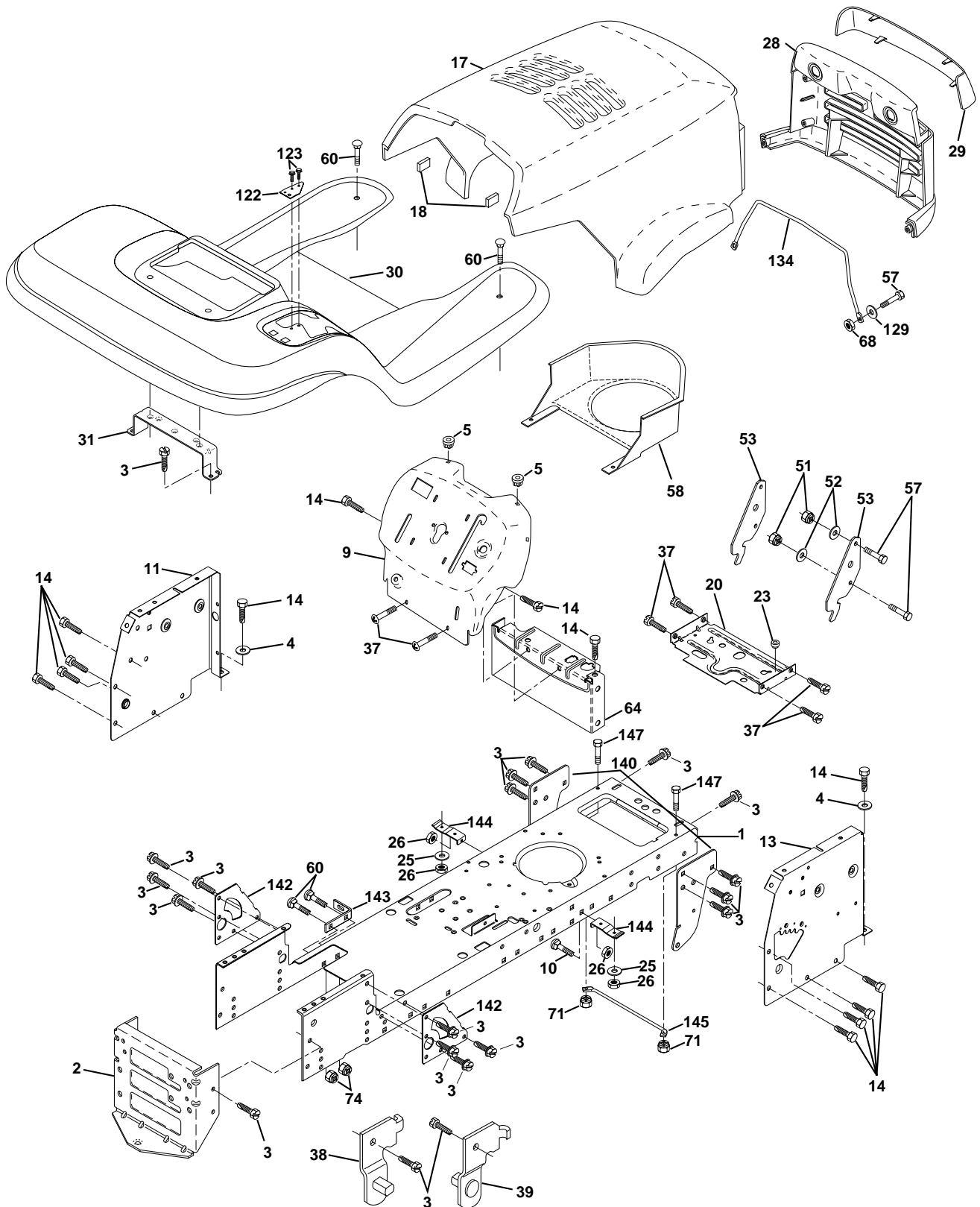
ELECTRICAL

KEY NO.	PART NO.	DESCRIPTION
1	532144925	Battery 12 Volt 25 AMP
2	874760412	Bolt Hex Hd 1/4-20unc X 3/4
3	819091016	Washer 9/32 X 5/8 X 16 Ga.
4	810040400	Washer Lock Hvy Helical 1/4
6	873220400	Nut Fin Hex 1/4-20 Unc
7	532109238	Tube Plastic 12"
8	532156417	Case Battery Mech Hinge
9	532109596	Clamp Hose Olive
16	532153664	Switch Interlock Push-In
19	810090400	Washer Lock 1/4
20	873350400	Nut Jam Hex 1/4-20 Unc
21	532136850	Harness Asm Light W/4152j
22	532004152	Bulb Light #1156
24	532124780	Cable Battery 6 Ga 11" red
25	532146147	Cable Battery 6 Ga 44" red w/16 wire
26	532108824	Fuse 30 AMP Auto Green
28	532124773	Cable Ground 6 Ga 12" black
29	532121305	Switch Plunger Nc Gray
30	532140301	Switch Ign 4 pos w/lights
31	532124211	Nut Ignition
32	532141226	Cover Sw Ignition
33	532122147	Key Ign Modelled Generic
40	532156442	Harness Ign.
41	871110408	Bolt Blk Fin Hex 1/4 - 20 x 1/2
42	532131563	Cover Terminal Red
43	532145673	Solenoid
44	873640400	Nut Keps Hex 1/4-20 Unc
48	532140844	Adapter Ammeter Rectangular
52	532141940	Protection Wire Loop
70	532140413	Harness, Eng. B&S/Tec Dual

NOTE: All component dimensions given in U.S. inches.
1 inch = 25.4 mm.

REPAIR PARTS

TRACTOR - MODEL NO. LTH120 (954140003B), PRODUCT NO. 954 14 00-03
CHASSIS AND ENCLOSURES



REPAIR PARTS

TRACTOR - MODEL NO. LTH120 (954140003B), PRODUCT NO. 954 14 00-03

CHASSIS AND ENCLOSURES

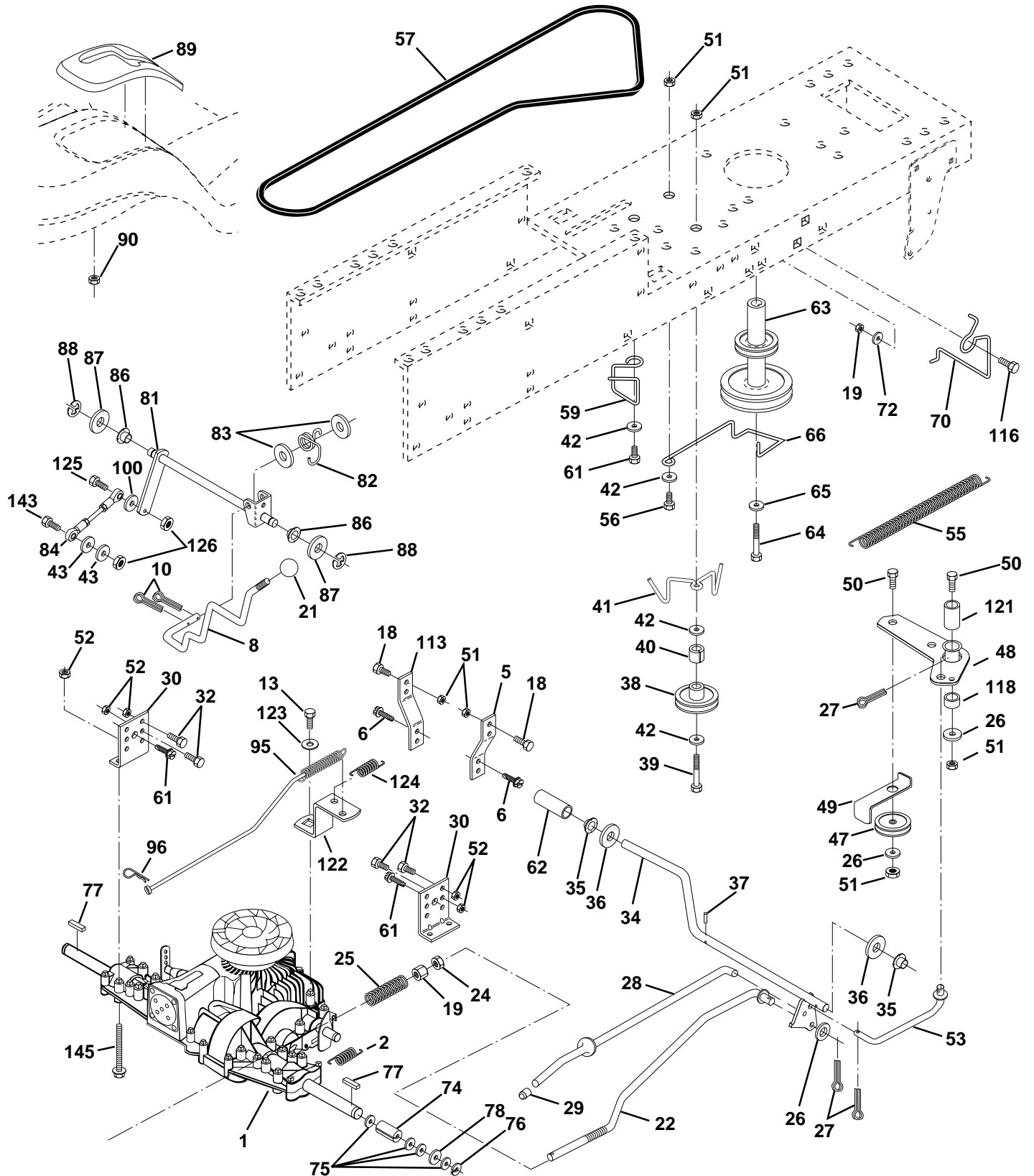
KEY NO.	PART NO.	DESCRIPTION
1	532159527	Chassis Weldment
2	532140356	Drawbar, Stretch
3	817490612	Screw Thdrol 3/8-16x3/4 Ty-tt
4	819131216	Washer 13/32 x 3/4 x 16 Ga.
5	532155272	Bumper Hood/Dash
9	532157261	Dash P/L M, N/AMM N/HM Grey
10	872140608	Bolt Carriage 3/8-16 x 1
11	532155927	Panel Dash Lh
13	532157262	Panel Dash Rh
14	817490608	Screw Thdrol 3/8-16x1/2 Ty-tt
17	532156051	Hood LT/PL Husqvarna
18	532126938	Bumper Hood
20	532156437	Plate Mtg Battery Fuel Tank Fr
23	532124028	Bushing
25	819131312	Washer 13/32 X 13/16 X 12 Ga
26	873800600	Nut Lock Hex W/Ins 3/8-16 Unc
28	532149776	Grille LT/PL Husqvarna
29	532149777	Lens LT/PL Husqvarna
30	532156489	Fender Footrest STLT Pnt
31	532139976	Bracket Support Fender
37	817490508	Screw Thdrol 6/16-18 x 1/2 TYT
38	532139886	Bracket, Asm. Pivot, L.H., Mower Rear
39	532139887	Bracket, Asm. Pivot, R.H., Mower Rear
51	873800400	Nut Lock Hex W/Ins 1/4-20
52	819091416	Washer 9/32 x 7/8 x 16 Ga.
53	532150067	Bracket Pnt. Pick off LT/PL Husqvarna
57	874780412	Bolt Hex 1/4-20 x 3/4
58	532150127	Air Duct Engine P/L
60	872140606	Bolt Rdhd Sqnk 3/8-16unc x 3/4
64	532154798	Dash Lower STLT
68	873510400	Nut Keps Hex 1/4-20unc
71	873680400	Nut Crownlock 1/4-20unc
74	873680600	Nut Crownlock 3/8-16 UNC
122	532157301	Bracket Shift STLT
123	532152927	Screw
129	819091016	Washer 9/32 x 5/8 x 16 Ga.
134	532160219	Rod Support Hood LT/PL Husq.
140	532158418	Bracket Suspension Front
142	532156095	Plate Reinforcement STLT
143	532154966	Bracket Swaybar Chassis
144	532154207	Bracket Pnt Footrest STLT
145	532156524	Rod Pivot Chassis/Hood
147	874760412	Bolt Hex Hd 1/4-20unc x 3/4
--	532005479	Plug Button

NOTE: All component dimensions given in U.S. inches
1 inch = 25.4 mm

REPAIR PARTS

TRACTOR - MODEL NO. LTH120 (954140003B), PRODUCT NO. 954 14 00-03

DRIVE



REPAIR PARTS

TRACTOR - MODEL NO. LTH120 (954140003B), PRODUCT NO. 954 14 00-03

DRIVE

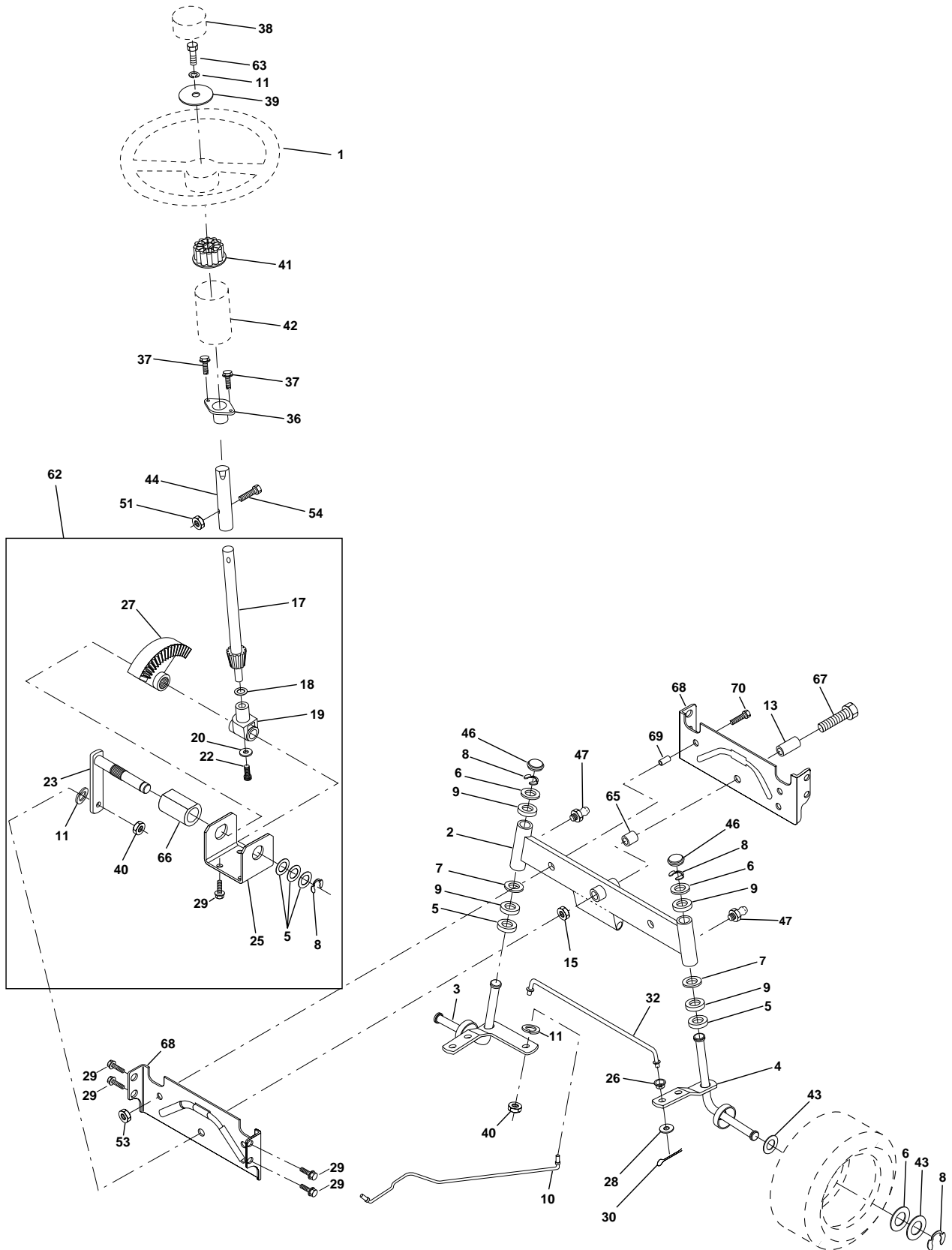
KEY NO.	PART NO.	DESCRIPTION	KEY NO.	PART NO.	DESCRIPTION
1	- - - - -	Transaxle (See Breakdown)	57	532156971	V-Belt, Ground Drive
		Peerless Model 205-027B	59	532140312	Keeper, Center Span
2	532146682	Spring, Return Brake	61	817490612	Screw Thdrol. 3/8-16 x 3/4 Ty. TT
5	532121520	Strap Torque	62	532124872	Cover, Pedal
6	817490512	Screw Thdrol 5/16-18 x 3/4	63	532140186	Pulley, Engine
8	532154792	Rod Shift Hydro STLT	64	871170764	Bolt Hex 7/16-20 X 4 Gr. 5
10	876020416	Pin Cotter 1/8 x 1 CAD	65	810040700	Washer
13	874550412	Bolt 1/4-28 Unf Gr. 8 W/Patch	66	532154778	Keeper Belt Engine
15	874490544	Bolt Hex Flghd 5/16-18 Gr. 5	70	532134683	Keeper Belt Engine
18	874780616	Bolt Fin Hex 3/8-16 Unc x 1 Gr. 5	72	819132012	Washer 13/32 x 1-1/4 x 12 Gauge
19	873800600	Nut Lock Hex W/Wsh 3/8-16 Unc	74	532156972	Spacer, Axle PVST
21	532106933	Knob, Round 1/2-13	75	532121749	Washer 25/32 x 1-1/4 x 16 Gauge
22	532130804	Rod, Brake	76	812000001	E-Ring
24	873350600	Nut, Hex Jam 3/8-16 Unc	77	532123583	Key, Square
25	532106888	Spring, Brake Rod	78	532121748	Washer 25/32 x 1-5/8 x 16 Gauge
26	819131316	Washer	81	532158461	Shaft Asm. Cross Hydro 18" Tires
27	876020412	Pin Cotter 1/8 x 3/4 CAD.	82	532123782	Spring Torsion T/A
28	532145204	Rod, Parking Brake	83	819171216	Washer 17/32 x 3/4 x 16 Ga.
29	532071673	Cap, Parking Brake	84	532158286	Rod, Tie PVST 18"
30	532130807	Bracket, Transaxle	86	532071208	Bushing Rod Strig. 629/632 ID
32	874760512	Bolt Hex Hd 5/16-18 Unc x 3/4	87	819212016	Washer 21/32 x 1-1/4 x 16 Ga.
34	532155071	Shaft, Foot Pedal	88	812000008	Ring Klip #5304-62
35	532120183	Bearing, Nylon	89	532154882	Console, Shift
36	819211616	Washer	90	532124346	Nut Self-Thd Wsh-Thd 1/4 Zinc
37	532124963	Pin, Roll	95	532156970	Rod Asm Bypass PVST
38	532123674	Pulley, Idler, Flat	96	532124788	Retainer Spring 1" Zinc/Cad
39	874760644	Bolt	100	819111216	Washer 11/32 x 3/4 x 16 Ga.
40	532124965	Spacer, Split	113	532127285	Strap Torque LH LT
41	532154777	Keeper, Belt, Idler	116	872110610	Bolt Rdhd Sq. Neck 3/8-16 x 1.25
42	819131312	Washer 13/32 x 13/16 x 12 Gauge	118	532154774	Spacer Bellcrank
43	819111012	Washer 11/32 x 5/8 x 12 Ga.	121	532154419	Nyliner Clutching STL
47	532127783	Pulley, Idler, V-Groove	122	532156963	Plate Bypass PVST
48	532154604	Bellcrank Assembly	123	819091016	Washer 9/32 x 5/8 x 16 Ga.
49	532123205	Retainer, Belt	124	532156967	Spring Return PVST
50	874760624	Bolt	125	874780516	Bolt Fin Hex 5/16-18 Unc x 1
51	873680600	Nut Crownlock 3/8-16 UNC	126	532124949	Nut Lock 5/16-18 Unc
52	873680500	Nut, Crownlock 5/16-18 Unc	143	874780520	Bolt Fin Hex 5/16-18unc x 1-1/4
53	532105710	Link, Clutch			
55	532105709	Spring, Return, Clutch			
56	874760620	Bolt Hex 3/8-16 x 1-1/4			

NOTE: All component dimensions give in U.S. inches.
1 inch = 25.4 mm.

REPAIR PARTS

TRACTOR - MODEL NO. LTH120 (954140003B), PRODUCT NO. 954 14 00-03

STEERING ASSEMBLY



REPAIR PARTS

TRACTOR - MODEL NO. LTH120 (954140003B), PRODUCT NO. 954 14 00-03

STEERING ASSEMBLY

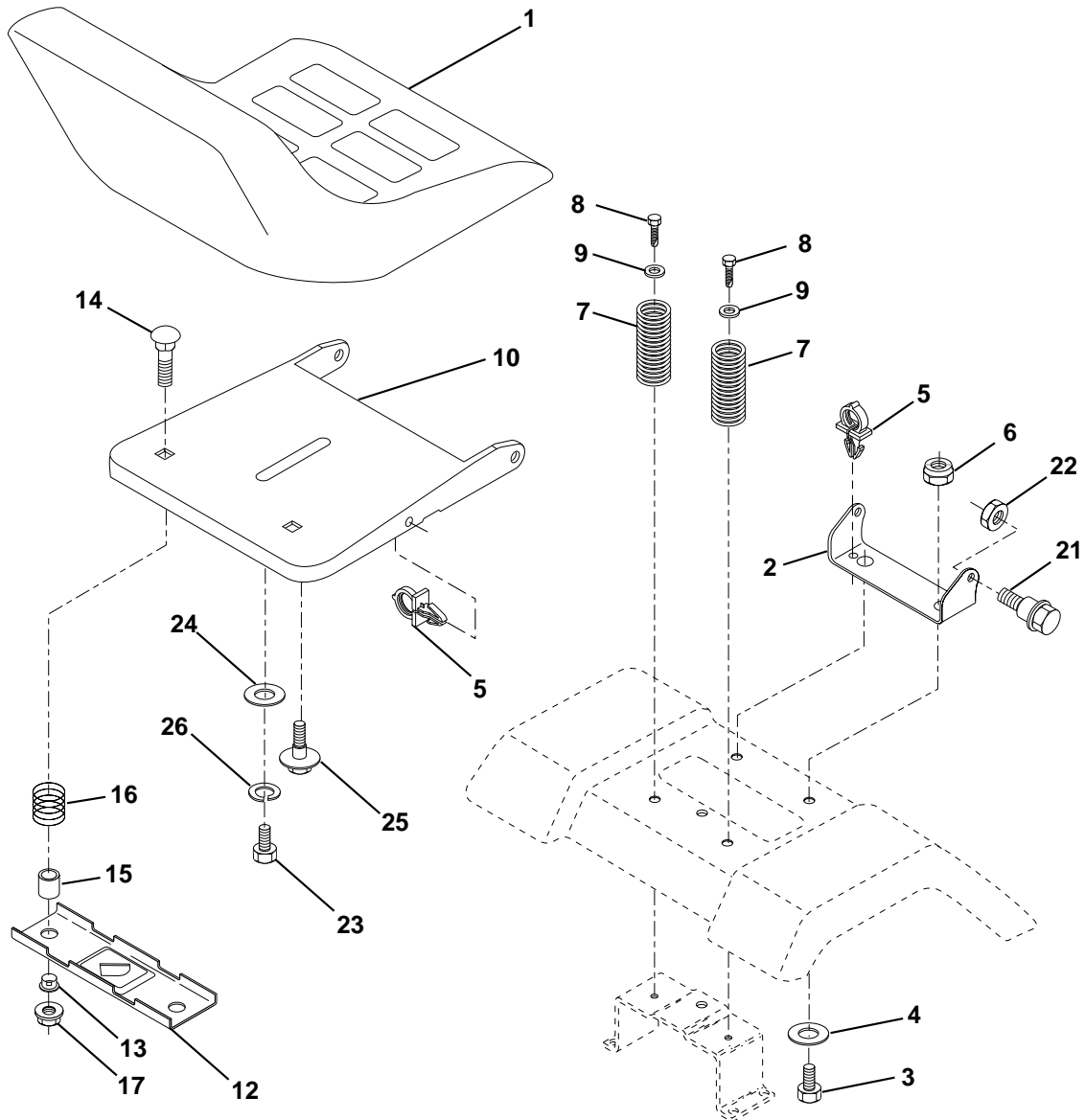
KEY NO.	PART NO.	DESCRIPTION
1	532124415	Wheel Steering
2	532154427	Axle Asm STMP Dropped STL
3	532156483	Spindle Asm LH
4	532157473	Spindle Asm RH
5	532124931	Bearing Race Thrust Harden
6	532121748	Washer 25/32 X 1-5/8 X 16 Ga
7	819272016	Washer 27/32 X 1-1/4 X 16 Ga
8	812000029	Ring Klip #t5304-75
9	532124937	Bearing Col Strg Blk
10	532156438	Link Drag Extended Stamp
11	810040600	Washer Lock Hvy Hlcl Spr 3/8
13	532154779	Bearing Axle STLT/GT
15	873901000	Nut Lock Flange 5/8-11 Unc
17	532156546	Shaft Asm Strg
18	532057079	Washer Thrust 515x 750x 033
19	532124035	Support Shaft
20	532126684	Washer Shim 1/4 X 5/8 X 062
22	871200410	Screw Hex Socket 1/4-20 x 5/8
23	532127501	Shaft Asm Pittman
25	532154406	Bracket Steering
26	543126847	Bushing Link Drag Blk LR
27	532136874	Gear Sector
28	819131416	Washer 13/32 X 7/8 X 16 Ga
29	817490612	Screw Thdrol 3/8-16x3/4 Ty-tt
30	876020412	Pin Cotter 1/8 X 3/4 Cad
32	532130465	Rod Tie Wire Form 19 75 Mech
36	532155099	Bushing Strg
37	532152927	Screw
38	532124416	Insert Cap Strg Wh Au
39	819133808	Washer 13/32 X 2-3/8 X 8 Ga
40	532124701	Lock nut
41	532100711	Adaptor Wheel Strg
42	532155092	Boot Steering Shaft
43	532121749	Washer 25/32 X 1 1/4 X 16 Ga
44	532153720	Extension Steering Shaft LR/LT
46	532121232	Cap Spindle Fr Top Blk
47	532124836	Fitting Grease
51	873800500	Nut Lock Hex w/Ins 5/16-18
53	873680600	Nut Crownlock 3/8-16unc
54	874780520	Bolt Fin Hex 5/16-18 Unc x 1-1/4
62	532156594	Kit, Steering Assembly Svc
63	874780616	Bolt Fin Hex 3/8-16unc x 1 Gr. 5
65	532154780	Spacer Axle
66	532154404	Bearing Arm Pittman
67	874781044	Bolt, Fin Hex 5/8-11 UNC x 2-3/4
68	532154429	Axle, Brace
69	532160367	Spacer Brace Axle
70	874780636	Bolt Fin Hex 3/8-16unc x 2-1/4

NOTE: All component dimensions given in U.S. inches.
1 inch = 25.4 mm.

REPAIR PARTS

TRACTOR - MODEL NO. LTH120 (954140003B), PRODUCT NO. 954 14 00-03

SEAT ASSEMBLY



KEY PART NO. NO.

DESCRIPTION

1	532140838	Seat
2	532140551	Bracket Pivot Seat 8 720
3	874760616	Bolt Fin Hex 3/8-16unc X 1
4	819131610	Washer 13/32 X 1 X 10 Ga
5	532145006	Clip Push-In
6	873800600	Nut Hex w/Ins. 3/8-16 Unc
7	532124181	Spring Seat Cprsn 2 250 Blk Zi
8	817490616	Screw Thdrol 3/8-16 X 1 Ty-tt
9	819131614	Washer 13/32 X 1 X 14 Ga.
10	532155925	Pan Seat
12	532121246	Bracket Mounting Switch
13	532121248	Bushing Snap Blk Nyl 50 Id

KEY PART NO. NO.

DESCRIPTION

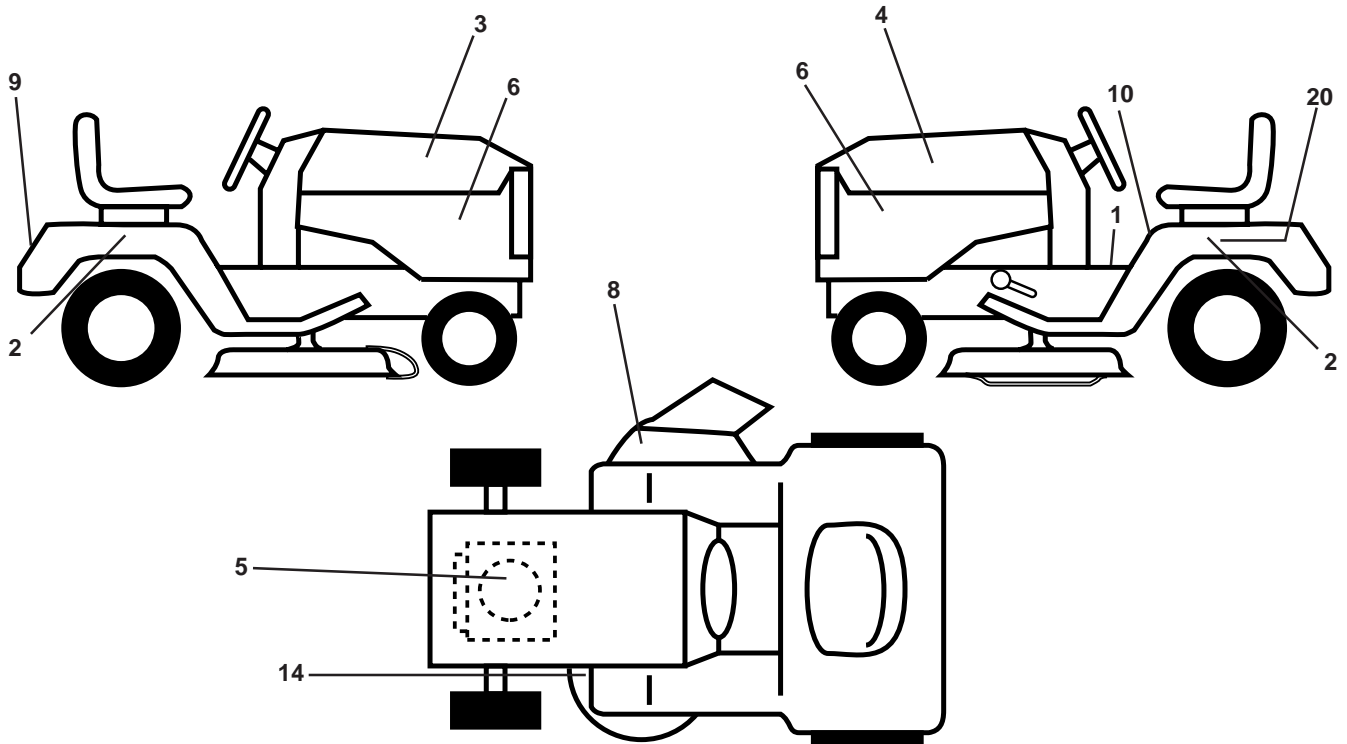
14	872050412	Bolt Rdhd Sqnk 1/4-20x1-1/2
15	532134300	Spacer Split 28x 96 Yel Zinc
16	532121250	Spring Cprsn 1 27 Blk Pnt
17	532123976	Nut Lock 1/4 Lge Flg Gr 5 Zinc
21	532153236	Bolt Shoulder 5/16-18 Unc
22	873800500	Nut Hex Lock W/Ins 5/16-18
23	874780814	Bolt, Hex Head, Fin 1/2-13 x 7/8 Grade 5
24	819171912	Washer 17/32 X 1-3/16 X 12 Ga.
25	532127018	Bolt Shoulder 5/16-18 X 62
26	810040800	Washer Lock

NOTE: All component dimensions given in U.S. inches.
1 inch = 25.4 mm

REPAIR PARTS

TRACTOR - MODEL NO. LTH120 (954140003B), PRODUCT NO. 954 14 00-03

DECALS



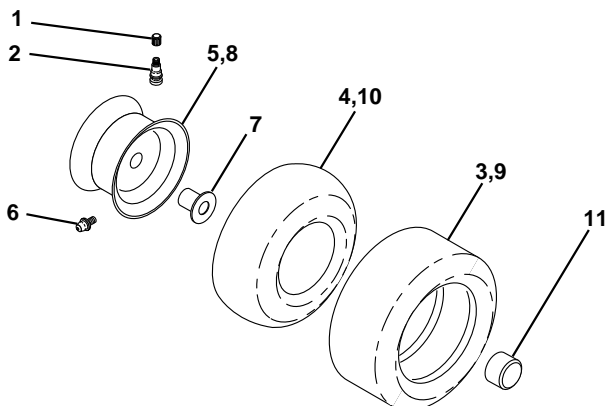
KEY NO.	PART NO.	DESCRIPTION
1	532157032	Decal Oper. Step Thru Eng/Fr
2	532157007	Decal Fender Auto Husq Radius
3	532157193	Decal Hood RH
4	532157195	Decal Hood LH
5	532271967	Decal HP Engine
6	532159713	Decal Pnl Side
8	532137259	Decal Warning
9	532150617	Decal Fender Husq
10	532157140	Decal Fender Danger Eng/Fr
14	532136832	Decal V-Belt Schematic
20	532145005	Decal Bat Dan/Psn

KEY NO.	PART NO.	DESCRIPTION
--	532154515	Pad Footrest LH STLT
--	532154516	Pad Footrest RH STLT
--	532138311	Decal Handle Lft Height Adjust
--	532142341	Decal Drawbar Cntrl Mvt Hyd
--	532160774	Manual Owner's (English)
--	532160775	Manual Owner's (French)

Available accessories not included with tractor:

--	MK380	Mulcher Kit with Blades
--	C38	Grass Catcher

WHEELS & TIRES

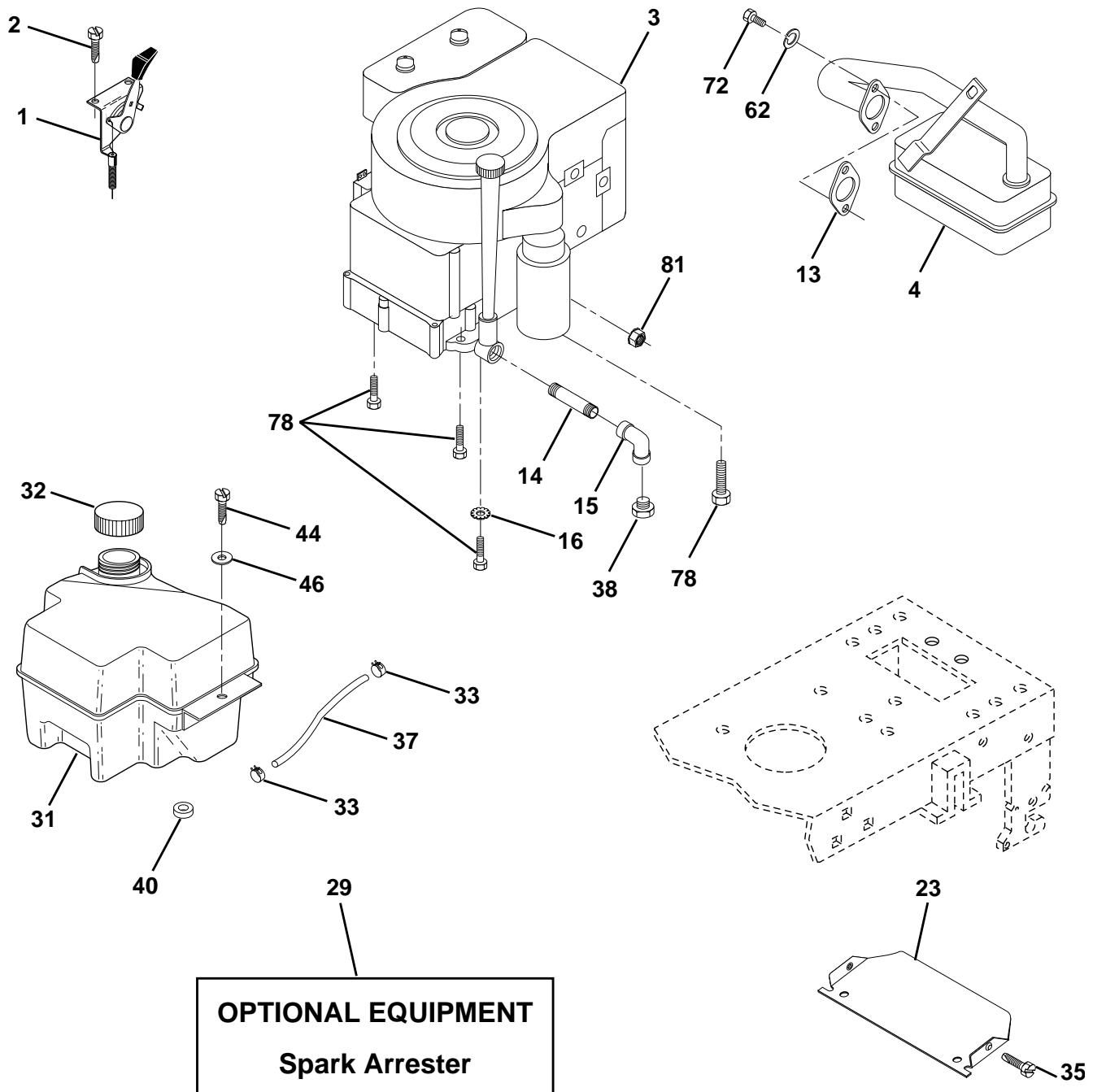


KEY NO.	PART NO.	DESCRIPTION
1	532059192	Cap Valve Tire
2	532065139	Stem Valve
3	532106222	Tire F Ts 15 X 6 0 - 6 Service
4	532059904	Tube Front (Service Item Only)
5	532138336	Rim Asm 6" front Silver Service
6	532124957	Fitting Grease (Front Wheel Only)
7	532124959	Bearing Flange (Front Wheel Only)
8	532138337	Rim Asm 8" rear Silver Service
9	532124635	Tire R Ts 18x8 5-8 C Service
10	532124926	Tube Rear (Service Item Only)
11	532104757	Cap Axle Blk 1 50 X 1 00
--	532144334	Sealant, Tire (10 oz. Tube)

NOTE: All component dimensions given in U.S. inches
1 inch = 25.4 mm

REPAIR PARTS

TRACTOR - MODEL NO. LTH120 (954140003B), PRODUCT NO. 954 14 00-03
ENGINE



REPAIR PARTS

TRACTOR - MODEL NO. LTH120 (954140003B), PRODUCT NO. 954 14 00-03

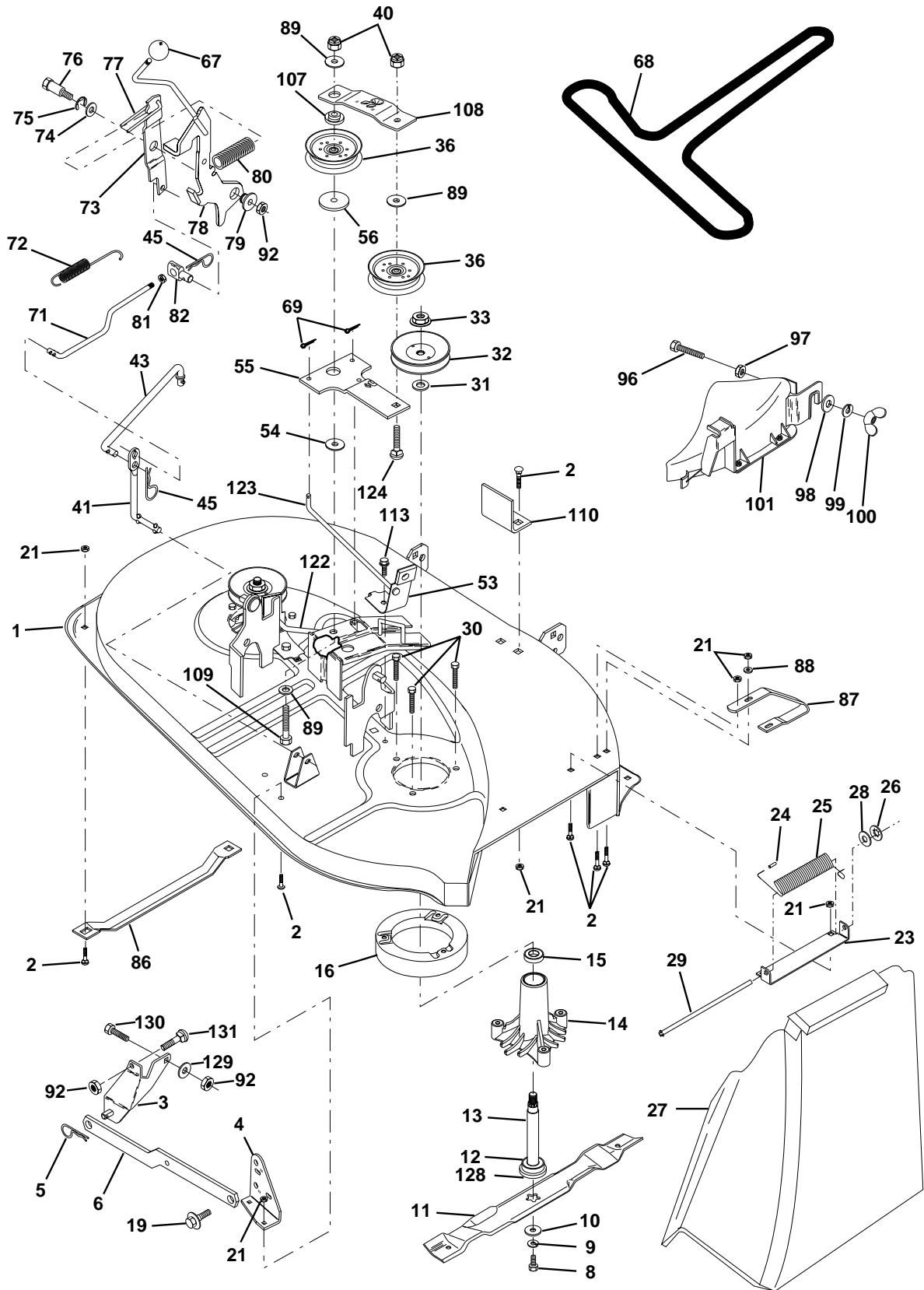
ENGINE

KEY NO.	PART NO.	DESCRIPTION
1	532140310	Control Th/ch 23 5 LH Flag
2	817720410	Screw Hex Thd Cut 1/4-20x5/8 T
3	-----	Engine, Briggs 289707
4	532137348	Muffler LT B&S 12/12.5/13HP
13	532272293	Gasket Eng 1 313 Id Tin Plated
14	813280324	Nipple Pipe 3/8 Npt X 3"
15	813200300	Elbow Std 90 Degree 3/8-18 Npt
16	811050600	Washer Lock Ext Tooth 3/8
23	532156123	Shield Heat
29	532137180	Kit Spark Arrestor (Flat Scrn)
31	532140280	Tank Fuel Front 2 00
32	532140527	Cap Asm Fuel W/sym Vented
33	532123487	Clamp Hose Black
35	817490512	Screw
37	532137040	Line Fuel 20"
38	-----	Plug Oil Drain (Order From Engine Manufacturer)
40	532124028	Bushing Snap Nyl Blk Fuel Line
44	817490412	Screw Hexwsh Thdrol 1/4-20x3/4
46	819091416	Washer 9/32 X 7/8 X 16 Ga
62	810040500	Washer Lock Hvy Hlcl Spr 5/16
72	871070512	Screw Hexhd Cap 5/16-18x 3/4
78	817490620	Screw Thdrol 3/8-16x1-1/4 TYTT
81	532128861	Nut Flange 1/4-20 Starter Nut

NOTE: All component dimensions given in U.S. inches
1 inch = 25.4 mm

REPAIR PARTS

TRACTOR - MODEL NO. LTH120 (954140003B), PRODUCT NO. 954 14 00-03
MOWER DECK



REPAIR PARTS

TRACTOR - MODEL NO. LTH120 (954140003B), PRODUCT NO. 954 14 00-03

MOWER DECK

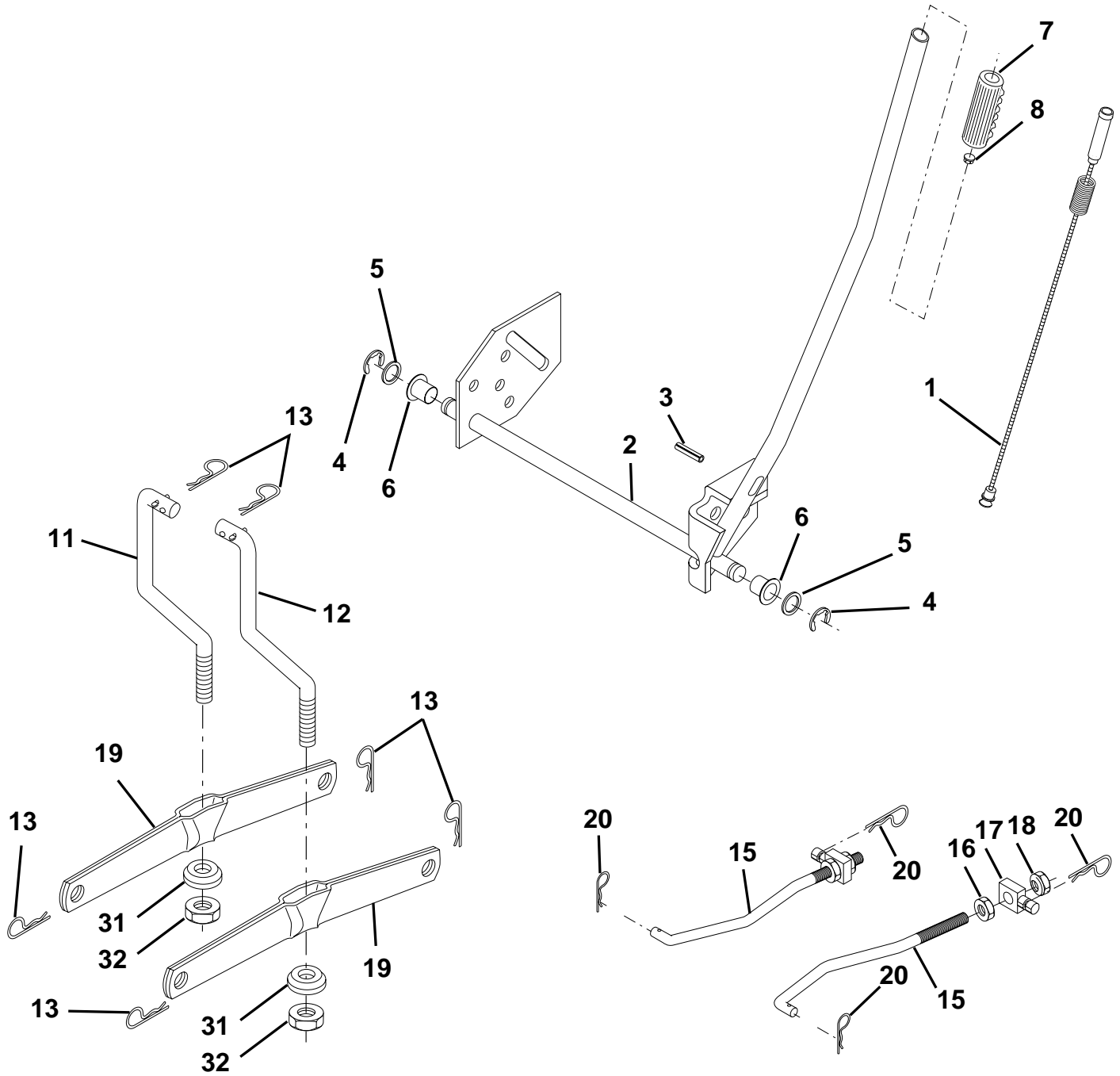
KEY NO.	PART NO.	DESCRIPTION	KEY NO.	PART NO.	DESCRIPTION
1	532142829	Deck Asm Weldment	72	532131870	Spring Return
2	872140506	Bolt Rdhd Sqnk 5/16-18unc X3/4	73	532127847	Arm Clutch Secondary
3	532138017	Bracket Asm Fr Sway Bar 38/42	74	532121748	Washer 25/32 X 1-5/8 X 16 Ga
4	532138440	Bracket Asm Deck Sway Bar	75	812000029	Ring Klip #t5304-75
5	532124670	Retainer Spring	76	532128903	Bolt Shoulder 3/8-16 Unc 1 44
6	532130832	Arm Suspension Rear	77	532127845	Keeper Spring 4 000
8	532850857	Bolt 3/8 - 24 X 1.25 Gr 8	78	532154809	Arm Asm Clutch Primary
9	810030600	Washer Lock Hvy 3/8	79	532127498	Bushing 747 Od X 794 Lg Brass
10	532140296	Washer Hard Blade Mower Vented	80	532153701	Spring Clutch Mower
11	532134148	Blade Mower Mulching 38"	81	873350600	Nut Hex Jam 3/8-16
12	532129895	Bearing Ball #6024 (Mandrel)	82	532142028	Trunnion Adj 94
13	532137645	Shaft Asm W/lower Bearing	86	532125074	Runner, LH
14	532128774	Housing Mandrel Vented	87	532128772	Runner, RH
15	532110485	Bearing Ball Mandrel	88	819111216	Washer 11/32 x 3/4 x 16 Ga.
16	532140329	Stripper Mower Vented	89	819131612	Washer 13/32 x 1 x 12 Ga.
19	532132827	Bolt Shoulder	92	873800600	Nut Lock Hex W/Ins 3/8-16 Unc
21	873680500	Nut Crownlock 5/16-18 UNC	96	874930620	Bolt 3/8-16 x 1-1/4 Mulcher
23	532137607	Bracket Deflector Mower	97	873930600	Nut Crownlock 3/8-16 UNC
24	532105304	Cap Sleeve 80x 112 Blk Mower	98	819132016	Washer 13/32 x 1-1/4 x 16 Ga.
25	532123713	Spring Torsion Deflector 2 52	99	810040600	Washer Lock Hvy Hlcl Spr 3/8
26	532110452	Nut Push Phos & Oil	100	532135651	Nut Wing
27	532106736	Shield Deflector	101	532132803	Cover Asm Mulching 38"
28	819111016	Washer 11/32 X 5/8 X 16 Ga	107	532133502	Spacer, Retainer
29	532106735	Rod Hinge	108	532133503	Stiffener, Idler Arm
30	532157722	Screw Thdrol Rolling Washer Head	109	874760640	Bolt, Hex Head 3/8-16 x 2-1/2
31	532129963	Washer Spacer Mower Vented	110	532142587	Upstop Deck Front 38"
32	532153532	Pulley Mandrel	113	817490512	Screw Thdrol 5/16-18 X 3/4
33	532137266	Nut 9/16 Toplock Flng Oil Dip	122	532131289	Rod, Brake, LH
36	532131494	Pulley Idler Flat 3 060	123	532131288	Rod, Brake, RH
40	873680600	Nut Crownlock 3/8-16 UNC	124	872110614	Bolt, Carriage 3/8-16 x 1-3/4
41	532133551	Rod Pivot W/nibs	128	532153390	Washer Felt
43	532133504	Rod Clutch Secondary	129	819131312	Washer 13/32 x 13/16 x 12 Ga.
45	532124788	Spring Retainer 1" Zinc/cad	130	874780616	Bolt, Fin Hex 3/8-16 UNC x 1 Gr. 5
53	532130840	Asm Brake	131	872140608	Bolt, Rdhd Sqnk 3/8-16 x 1
54	532133943	Washer Hardened	--	532130794	Mandrel Asm Service (Includes Key Nos. 8-10, 12-15, 31 and 33)
55	532133840	Arm Idler	--	532142820	Mower Deck Complete (Std. Deck - order separately mulcher plate components key nos. 96-101)
56	532122052	Spacer Retainer Pm Mower			
67	532106932	Knob Rd 3/8-16 Plstc Thds Blk			
68	532144200	V-Belt Mower			
69	876020312	Pin, Cotter 3/32 x 3/4			
71	532142427	Rod Clutch Primary 38/42			

NOTE: All component dimensions given in U.S. inches
1 inch = 25.4 mm

REPAIR PARTS

TRACTOR - MODEL NO. LTH120 (954140003B), PRODUCT NO. 954 14 00-03

MOWER LIFT



REPAIR PARTS

TRACTOR - MODEL NO. LTH120 (954140003B), PRODUCT NO. 954 14 00-03

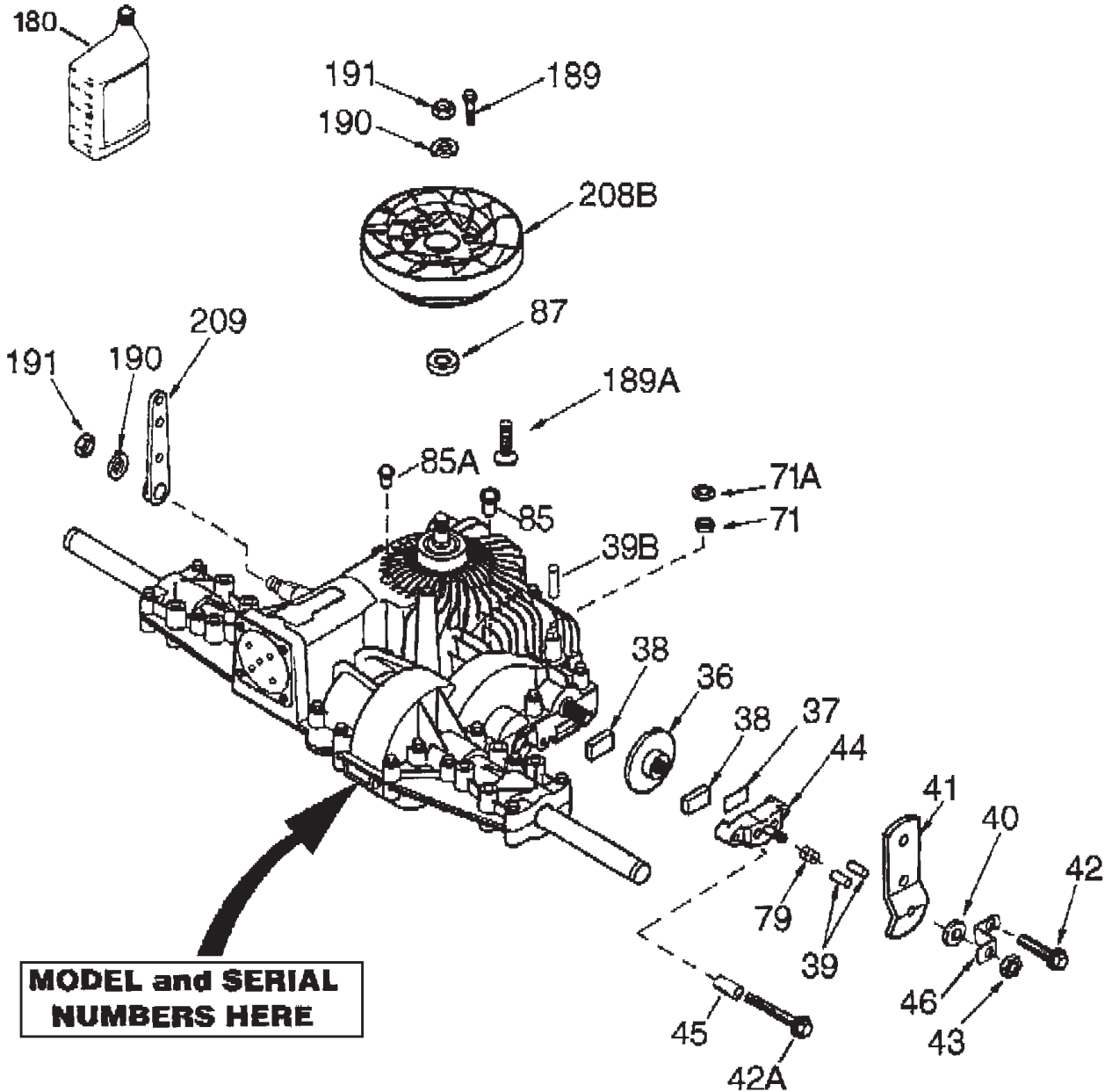
MOWER LIFT

KEY NO.	PART NO.	DESCRIPTION
1	532159460	Wire Asm Inner W/plunger LT
2	532159471	Shaft Asm Lift
3	532105767	Pin Groove
4	812000002	E Ring #5133-62
5	819211621	Washer PLTD 21/32 X 1 X 21ga
6	532120183	Bearing Nylon Blk 629 Id
7	532109413	Grip Handle Bicycle
8	532124526	Button Plunger Black
11	532139865	Link Lift LH
12	532139866	Link Lift RH
13	532124670	Retainer Spring
15	532127218	Link Front
16	873350800	Nut Jam Hex 1/2-13 Unc
17	532130171	Trunnion Blk Zinc
18	873800800	Nut Lock W/wsh 1/2-13unc
19	532139868	Arm Suspension Rear
20	532124660	Spring, Retainer
31	532140302	Bearing Pvt. Lift Spherical
32	873540600	Nut Crownlock 3/8-24

NOTE: All component dimensions given in U.S. inches
1 inch = 25.4 mm

REPAIR PARTS

TRACTOR - MODEL NO. LTH120 (954140003B), PRODUCT NO. 954 14 00-03
PEERLESS TRANSAXLE - MODEL NUMBER 205-027B



REPAIR PARTS

TRACTOR - MODEL NO. LTH120 (954140003B), PRODUCT NO. 954 14 00-03
PEERLESS TRANSAXLE - MODEL NUMBER 205-027B

REF PART NO.	PART NO.	DESCRIPTION	REF PART NO.	PART NO.	DESCRIPTION
36	790075	Brake Disc	71A	792162	Pushnut, 9/16"
37	790007	Brake Pad Plate	79	792144	Spring
38	799021	Brake Pad (pkg of 2)	85	792154	Oil Fill Plug
39	786026	Dowel Pin	85A	792182	Tube, Plug
39B	798033	Belt Guard	87	788035	Oil Seal, 5/8"
40	792076A	Flat Washer	180	730229A	Gear Oil 80W90
41B	790085	Brake Lever	189	792168	Drive Screw #6 x 1/2"
42	792073	Screw, 1/4-20 x 1-1/4"	189A	792169	Screw, 10-32 x 1/2"
42A	792085A	Screw, 1/4-20 x 2-1/4"	190	792150	Lockwasher
43	792075	Locknut, 5/16-24	191	792151	Nut, 7/16-20
44	790025	Brake Pad Holder	208B	798025	Fan/Coupling (Incl. 189 & 189A)
45	786066	Spacer	209	798024	Control Lever
46	790086	Brake Lever Bracket			
71	788069	Square Cut Ring			

Parts must be ordered from Tecumseh Products Co.

NOTE: All component dimensions given in U.S. inches
1 inch = 25.4 mm