

LTH 120

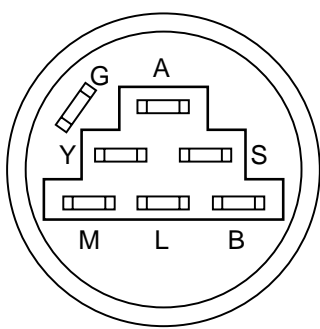
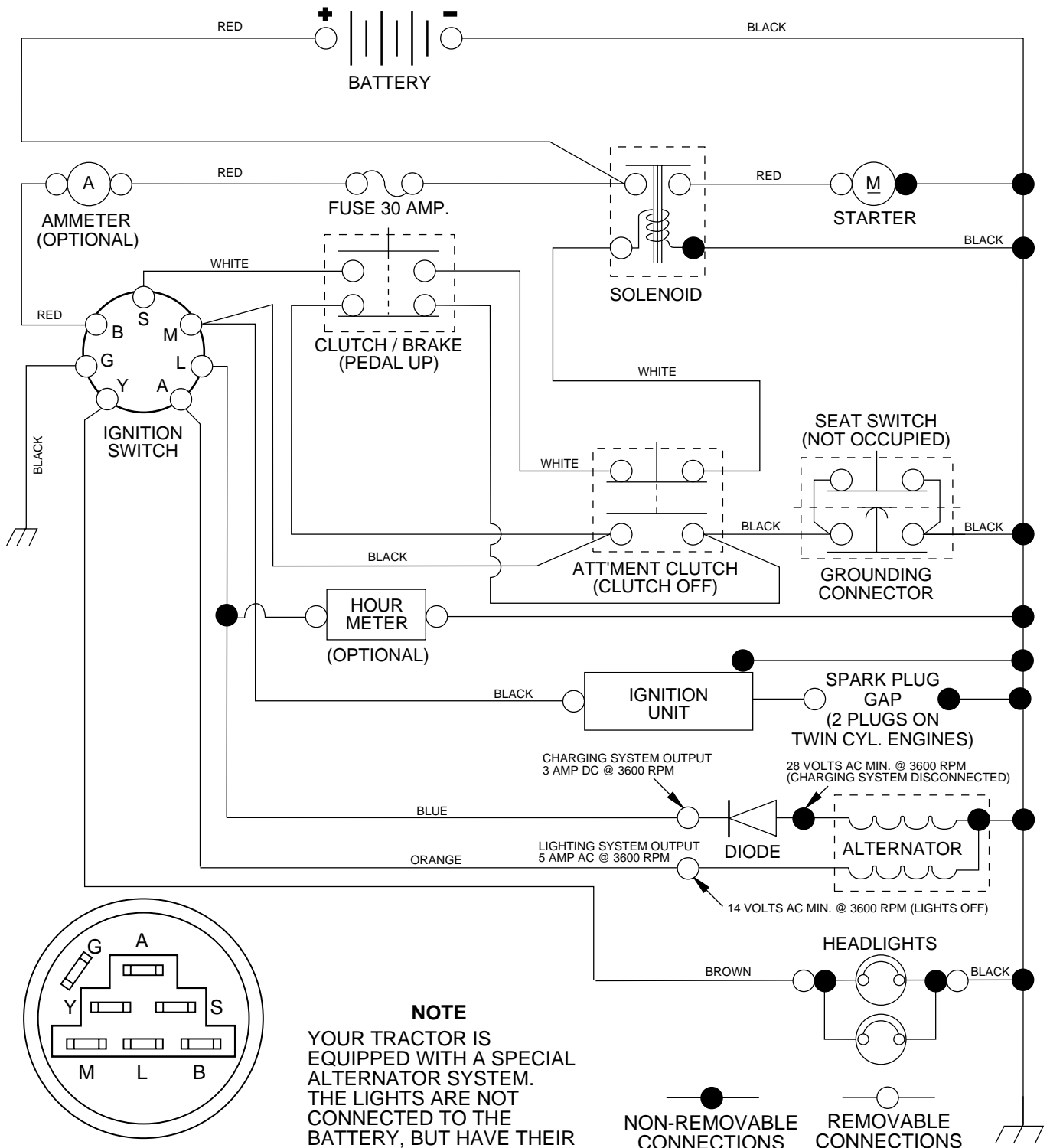


1.1997
Spare Parts

954 14 00-13A

TRACTOR - MODEL NO. LTH120 (954140013A), PRODUCT NO. 954 1400-13

SCHEMATIC



IGNITION SWITCH

POSITION	CIRCUIT	"MAKE"
OFF	G + M + L	NONE
RUN/LIGHT	B + L	A + Y
RUN	B + L	NONE
START	B + L + S	NONE

NOTE

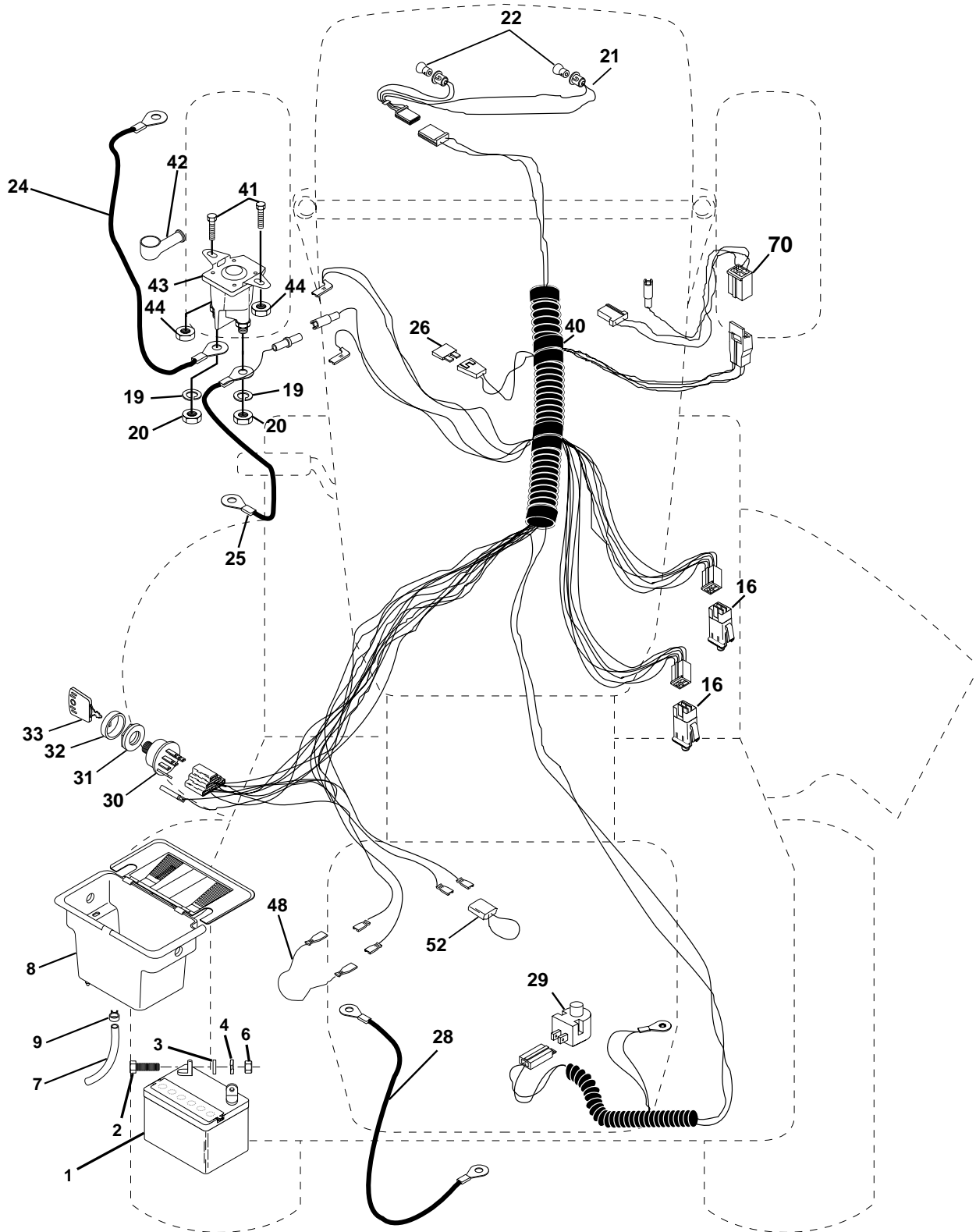
YOUR TRACTOR IS EQUIPPED WITH A SPECIAL ALTERNATOR SYSTEM. THE LIGHTS ARE NOT CONNECTED TO THE BATTERY, BUT HAVE THEIR OWN ELECTRICAL SOURCE. BECAUSE OF THIS, THE BRIGHTNESS OF THE LIGHTS WILL CHANGE WITH ENGINE SPEED. AT IDLE THE LIGHTS WILL DIM. AS THE ENGINE IS SPEEDED UP, THE LIGHTS WILL BECOME THEIR BRIGHTEST.

WIRING INSULATED CLIPS

NOTE: IF WIRING INSULATED CLIPS WERE REMOVED FOR SERVICING OF UNIT, THEY SHOULD BE REPLACED TO PROPERLY SECURE YOUR WIRING.

REPAIR PARTS

TRACTOR - MODEL NO. LTH120 (954140013A), PRODUCT NO. 954 1400-13
ELECTRICAL



REPAIR PARTS

TRACTOR - MODEL NO. LTH120 (954140013A), PRODUCT NO. 954 1400-13

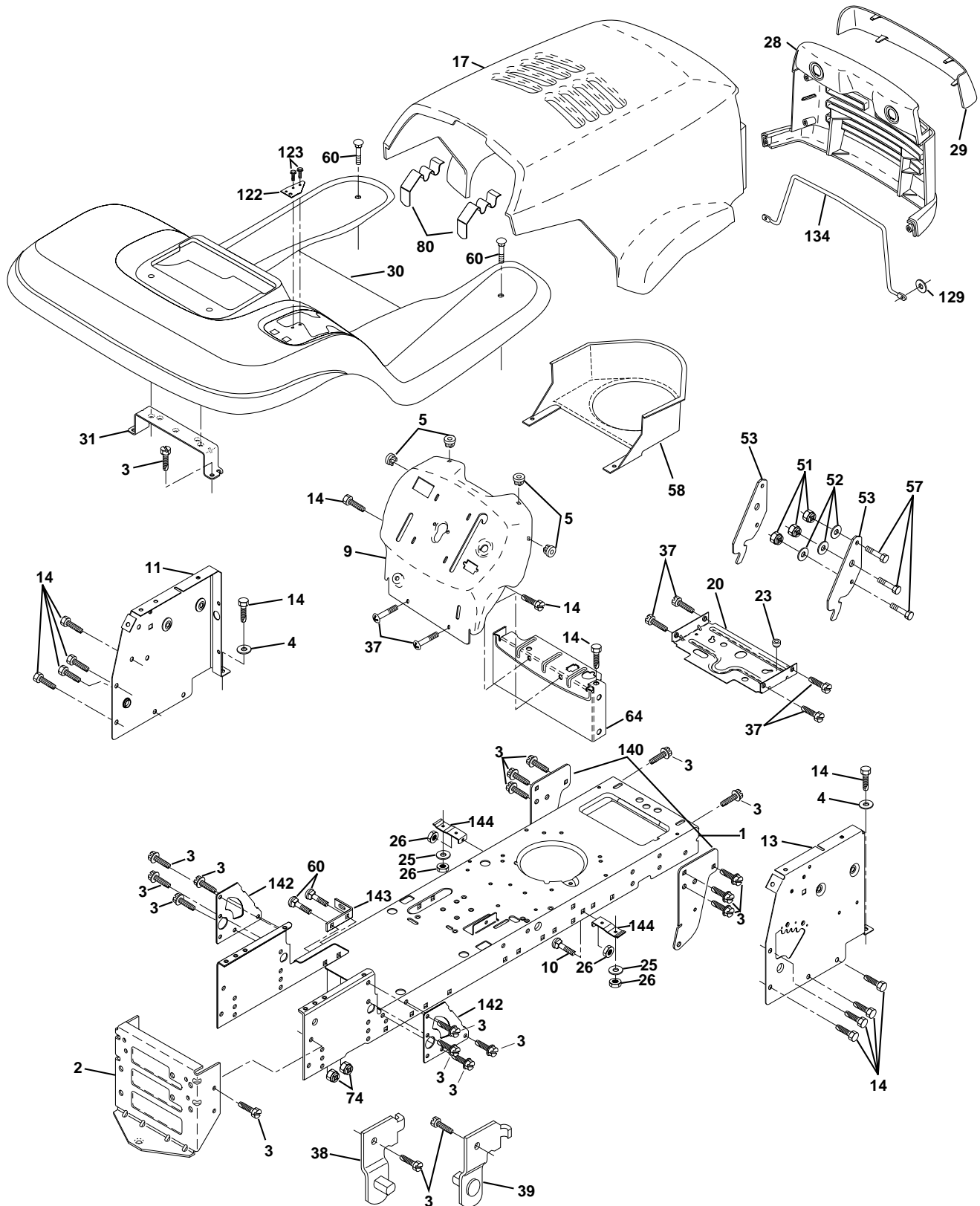
ELECTRICAL

KEY NO.	PART NO.	DESCRIPTION
1	532144925	Battery 12 Volt 25 AMP
2	874760412	Bolt Hex Hd 1/4-20unc X 3/4
3	819091016	Washer 9/32 X 5/8 X 16 Ga.
4	810040400	Washer Lock Hvy Helical 1/4
6	873220400	Nut Fin Hex 1/4-20 Unc
7	532109238	Tube Plastic 12"
8	532156417	Case Battery Mech Hinge
9	532109596	Clamp Hose Olive
16	532153664	Switch Interlock Push-In
19	810090400	Washer Lock 1/4
20	873350400	Nut Jam Hex 1/4-20 Unc
21	532136850	Harness Asm Light W/4152j
22	532004152	Bulb Light #1156
24	532124780	Cable Battery 6 Ga 11" red
25	532146147	Cable Battery 6 Ga 44" red w/16 wire
26	532108824	Fuse 30 AMP Auto Green
28	532124773	Cable Ground 6 Ga 12" black
29	532121305	Switch Plunger Nc Gray
30	532140301	Switch Ign 4 pos w/lights
31	532124211	Nut Ignition
32	532141226	Cover Sw Ignition
33	532122147	Key Ign Modelled Generic
40	532156442	Harness Ign.
41	871110408	Bolt Blk Fin Hex 1/4 - 20 x 1/2
42	532131563	Cover Terminal Red
43	532145673	Solenoid
44	873640400	Nut Keps Hex 1/4-20 Unc
48	532140844	Adapter Ammeter Rectangular
52	532141940	Protection Wire Loop
70	532140413	Harness, Eng. B&S/Tec Dual

NOTE: All component dimensions given in U.S. inches.
1 inch = 25.4 mm.

REPAIR PARTS

TRACTOR - MODEL NO. LTH120 (954140013A), PRODUCT NO. 954 1400-13
CHASSIS AND ENCLOSURES



REPAIR PARTS

TRACTOR - MODEL NO. LTH120 (954140013A), PRODUCT NO. 954 1400-13

CHASSIS AND ENCLOSURES

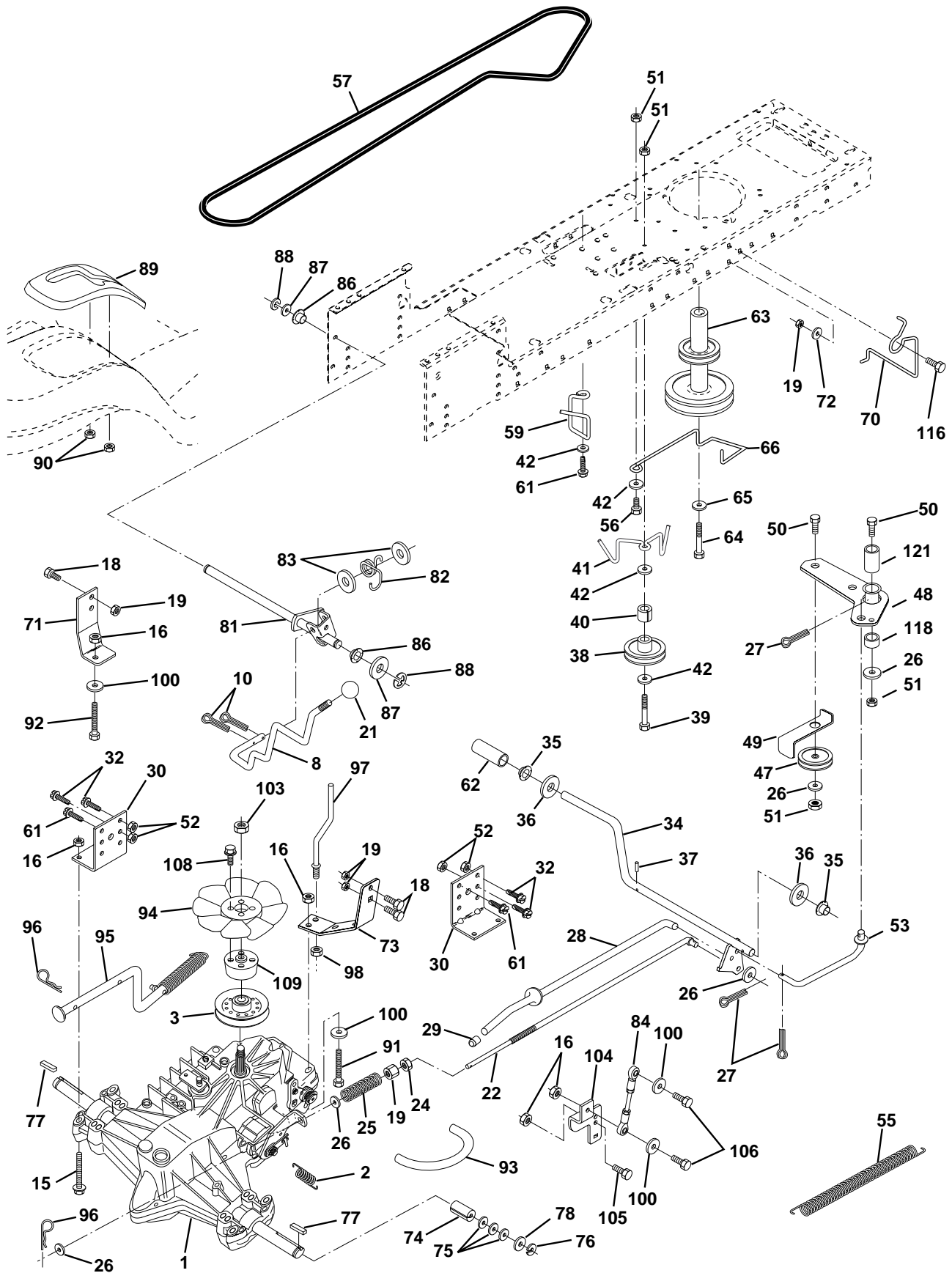
KEY NO.	PART NO.	DESCRIPTION
1	532153871	Chassis Weldment
2	532140356	Drawbar, Stretch
3	817490612	Screw Thdrol 3/8-16x3/4 Ty-tt
4	819131216	Washer 13/32 x 3/4 x 16 Ga.
5	532155272	Bumper Hood/Dash
9	532157261	Dash P/L M, N/AMM N/HM Grey
10	872140608	Bolt Carriage 3/8-16 x 1
11	532155927	Panel Dash Lh
13	532157262	Panel Dash Rh
14	817490608	Screw Thdrol 3/8-16x1/2 Ty-tt
17	532156051	Hood LT/PL Husqvarna
20	532156437	Plate Mtg Battery Fuel Tank Fr
23	532124028	Bushing
25	819131312	Washer 13/32 X 13/16 X 12 Ga
26	873800600	Nut Lock Hex W/Ins 3/8-16 Unc
28	532149776	Grille LT/PL Husqvarna
29	532149777	Lens LT/PL Husqvarna
30	532156489	Fender Footrest STLT Pnt
31	532139976	Bracket Support Fender
37	817490508	Screw Thdrol 6/16-18 x 1/2 TYT
38	532139886	Bracket, Asm. Pivot, L.H., Mower Rear
39	532139887	Bracket, Asm. Pivot, R.H., Mower Rear
51	873800400	Nut Lock Hex W/Ins 1/4-20
52	819091416	Washer 9/32 x 7/8 x 16 Ga.
53	532150067	Bracket Pnt. Pick off LT/PL Husqvarna
57	874780412	Bolt Hex 1/4-20 x 3/4
58	532150127	Air Duct Engine P/L
60	872140606	Bolt Rdhd Sqnk 3/8-16unc x 3/4
64	532154798	Dash Lower STLT
74	873680600	Nut Crownlock 3/8-16 UNC
80	532155854	Latch Hood Plm Husqvarna
122	532157301	Bracket Shift STLT
123	532152927	Screw
129	819091016	Washer 9/32 x 5/8 x 16 Ga.
134	532150132	Rod Support Hood LT/PL Husq.
140	532158418	Bracket Suspension Front
142	532156095	Plate Reinforcement STLT
143	532154966	Bracket Swaybar Chassis
144	532154207	Bracket Pnt Footrest STLT
--	532005479	Plug Button

NOTE: All component dimensions given in U.S. inches
1 inch = 25.4 mm

REPAIR PARTS

TRACTOR - MODEL NO. LTH120 (954140013A), PRODUCT NO. 954 1400-13

DRIVE



REPAIR PARTS

TRACTOR - MODEL NO. LTH120 (954140013A), PRODUCT NO. 954 1400-13

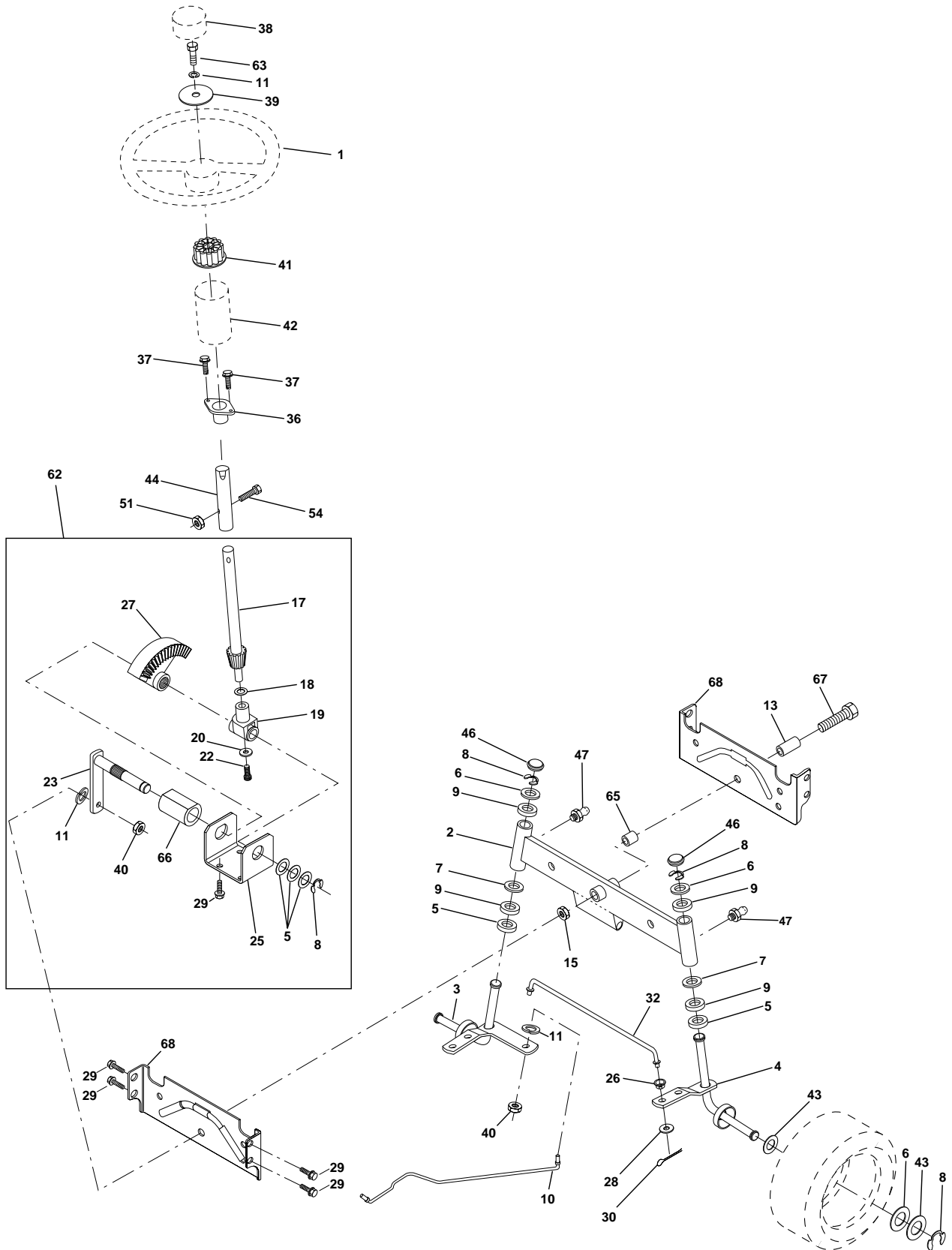
DRIVE

KEY NO.	PART NO.	DESCRIPTION	KEY NO.	PART NO.	DESCRIPTION
1	532140607	Transaxle Assembly	64	871170764	Bolt, Hex
2	532142431	Spring, Return, Brake	65	810040700	Washer
3	532144698	Pulley, Transaxle	66	532154778	Keeper, Belt Engine Flproof
8	532154792	Rod Shift Fender STLT	70	532134683	Keeper Belt Engine
10	876020416	Pin Cotter 1/8 x 1 CAD	71	532141417	Strap Torque Lh Hydro 500 18"
15	874490544	Bolt Hex Flghd 5/16-18 Gr 5	72	819132012	Washer 13/32 x 1-1/4 x 12 Gauge
16	873800500	Nut Lock Hex W/Ins 5/16-18 Unc P	73	532141418	Strap Torque Rh Hydro 500 18"
18	874780616	Bolt Fin Hex 3/8-16 Unc x 1 Gr. 5	74	532121199	Spacer, Split
19	873800600	Nut Lock Hex W/Wsh 3/8-16 Unc	75	532121749	Washer 25/32 x 1-1/4 x 16 Gauge
21	532106933	Knob 1/2-13	76	812000001	E-Ring
22	532145627	Rod, Brake Hydro	77	532123583	Key, Square
24	873350600	Nut	78	532121748	Washer 25/32 x 1-5/8 x 16 Gauge
25	532106888	Spring, Brake Rod	81	532156048	Shaft Asm. Cross Hydro 500
26	819131316	Washer	82	532123782	Spring Torsion T/A
27	876020412	Pin Cotter 1/8 x 3/4 CAD.	83	819171216	Washer 17/32 x 3/4 x 16 Ga.
28	532145204	Rod, Parking Brake	84	532141423	Rod, Tie Hydro Sph Ball 500
29	532071673	Cap, Parking Brake	86	532071208	Bushing Rod Strig. 629/632 ID
30	532130807	Bracket, Transaxle	87	819212016	Washer 21/32 x 1-1/4 x 16 Ga.
32	874760512	Bolt Hex Hd 5/16-18 Unc x 3/4	88	812000008	Ring Klip #5304-62
34	532155071	Shaft, Foot Pedal	89	532154882	Console, Shift Hydro STLT
35	532120183	Bearing, Nylon	90	532124346	Nut Self-Thd Wsh-Hd 1/4 Zinc
36	819211616	Washer	91	874780536	Bolt Fin Hex 5/16-18 x 2-1/4
37	532124963	Pin, Roll	92	874780524	Bolt Fin Hex 5/6-18 Unc x 1-1/2
38	532123674	Pulley, Idler, Flat	93	532142564	Line Fuel Hydro 4"
39	874760644	Bolt	94	532140462	Fan, Hydro 7"
40	532124965	Spacer, Split	95	532144643	Control Asm. Bypass Hydro
41	532154777	Keeper, Belt Retainer	96	532124788	Retainer Spring 1" Zinc/Cad
42	819131312	Washer 13/32 x 13/16 x 12 Gauge	97	532144201	Keeper Belt Rh Hydro 500
47	532127783	Pulley, Idler, V-Groove	98	873510600	Nut Keps Hex 3/8-16 Unc
48	532154604	Bellcrank Assembly	100	819111216	Washer 11/32 x 3/4 x 16 Ga.
49	532123205	Retainer, Belt	103	873940800	Nut, Hex Jam Toplock 1/2-20 Unf
50	874760624	Bolt	104	532141421	Arm, Control Pump
51	873680600	Nut Crownlock 3/8-16	105	871070516	Screw Cap Hex 5/16 x 18 x 1
52	873680500	Nut Crownlock 5/16-18	106	874780520	Bolt Fin Hex 5/16-18 Unc x 1-1/4
53	532105710	Link, Clutch	108	817541026	Screw Hex Wh Hd #10-24 x 1-5/8
55	532105709	Spring, Return, Clutch	109	532145098	Adaptor Fan/Hydro Lt Hyd Alum
56	874760620	Bolt Fin Hex 3/8-16 Unc x 1-1/4	116	872110610	Bolt, RDHD SQ Neck 3/8-16 x 1.25
57	532141416	V-Belt, Ground Drive	118	532154774	Spacer Bellcrank
59	532140312	Keeper, Center Span	121	532154419	Nyliner Clutching STL
61	817490612	Screw Thdrol. 3/8-16 x 3/4 Ty. TT			
62	532124872	Cover, Pedal			
63	532140186	Pulley, Engine			

NOTE: All component dimensions give in U.S. inches.
1 inch = 25.4 mm.

REPAIR PARTS

TRACTOR - MODEL NO. LTH120 (954140013A), PRODUCT NO. 954 1400-13
STEERING ASSEMBLY



REPAIR PARTS

TRACTOR - MODEL NO. LTH120 (954140013A), PRODUCT NO. 954 1400-13

STEERING ASSEMBLY

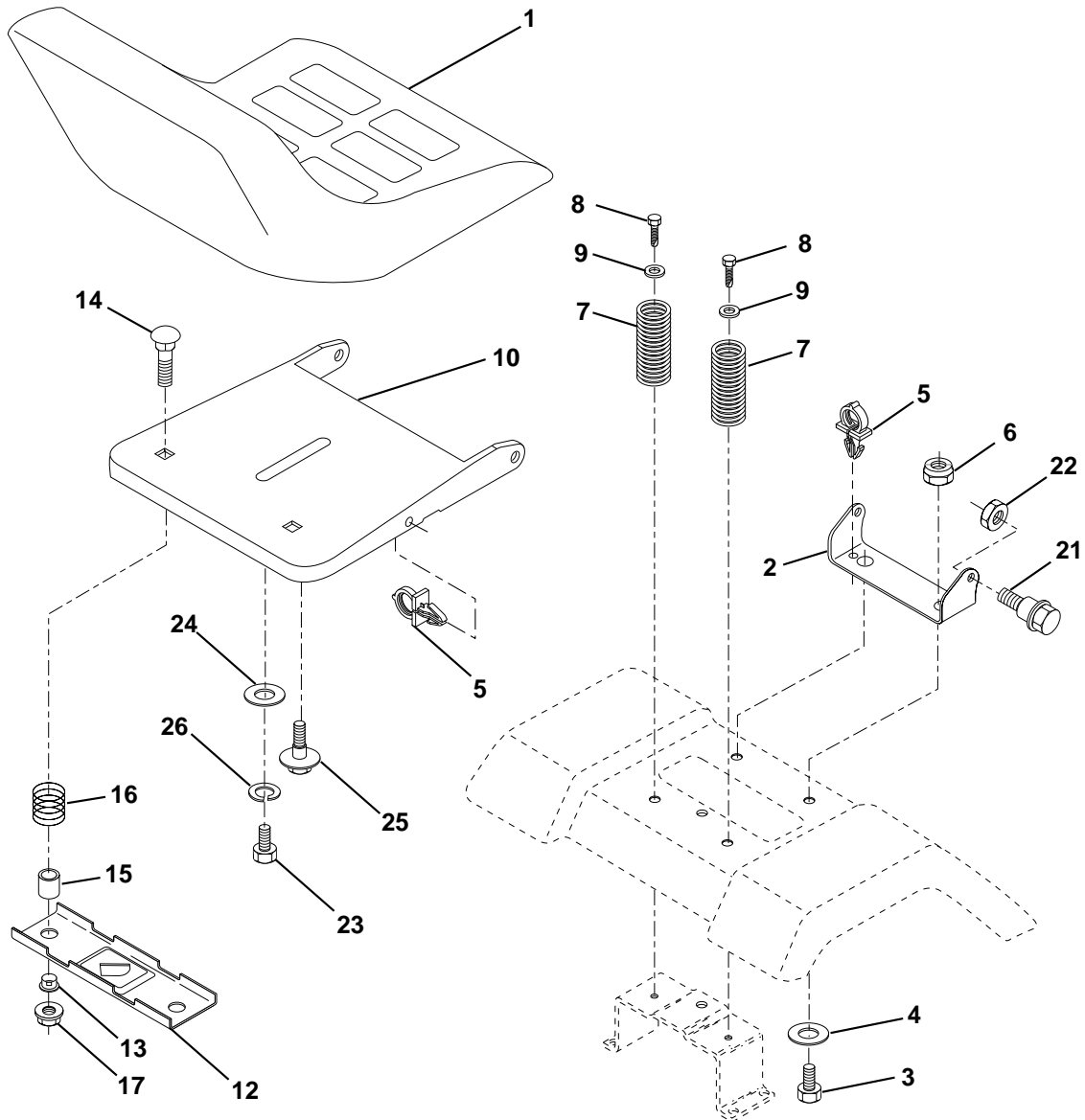
KEY NO.	PART NO.	DESCRIPTION
1	532124415	Wheel Steering
2	532154427	Axle Asm STMP Dropped STL
3	532154422	Spindle Asm LH
4	532154423	Spindle Asm RH
5	532124931	Bearing Race Thrust Harden
6	532121748	Washer 25/32 X 1-5/8 X 16 Ga
7	819272016	Washer 27/32 X 1-1/4 X 16 Ga
8	812000029	Ring Klip #t5304-75
9	532124937	Bearing Col Strg Blk
10	532156438	Link Drag Extended Stamp
11	810040600	Washer Lock Hvy Hlcl Spr 3/8
13	532154779	Bearing Axle STLT/GT
15	873901000	Nut Lock Flange 5/8-11 Unc
17	532156546	Shaft Asm Strg
18	532057079	Washer Thrust 515x 750x 033
19	532124035	Support Shaft
20	532126684	Washer Shim 1/4 X 5/8 X 062
22	871200410	Screw Hex Socket 1/4-20 x 5/8
23	532127501	Shaft Asm Pittman
25	532154406	Bracket Steering
26	543126847	Bushing Link Drag Blk LR
27	532136874	Gear Sector
28	819131416	Washer 13/32 X 7/8 X 16 Ga
29	817490612	Screw Thdrol 3/8-16x3/4 Ty-tt
30	876020412	Pin Cotter 1/8 X 3/4 Cad
32	532130465	Rod Tie Wire Form 19 75 Mech
36	532155099	Bushing Strg
37	532152927	Screw
38	532124416	Insert Cap Strg Wh Au
39	819133808	Washer 13/32 X 2-3/8 X 8 Ga
40	532124701	Lock nut
41	532100711	Adaptor Wheel Strg
42	532155092	Boot Steering Shaft
43	532121749	Washer 25/32 X 1 1/4 X 16 Ga
44	532153720	Extension Steering Shaft LR/LT
46	532121232	Cap Spindle Fr Top Blk
47	532124836	Fitting Grease
51	873800500	Nut Lock Hex w/Ins 5/16-18
54	874780520	Bolt Fin Hex 5/16-18 Unc x 1-1/4
62	532156594	Kit, Steering Assembly Svc
63	874780616	Bolt Fin Hex 3/8-16unc x 1 Gr. 5
65	532154780	Spacer Axle
66	532154404	Bearing Arm Pittman
67	874781044	Bolt, Fin Hex 5/8-11 UNC x 2-3/4
68	532154429	Axle, Brace

NOTE: All component dimensions given in U.S. inches.
1 inch = 25.4 mm.

REPAIR PARTS

TRACTOR - MODEL NO. LTH120 (954140013A), PRODUCT NO. 954 1400-13

SEAT ASSEMBLY



KEY PART NO. NO.

DESCRIPTION

1	532140838	Seat
2	532140551	Bracket Pivot Seat 8 720
3	874760616	Bolt Fin Hex 3/8-16unc X 1
4	819131610	Washer 13/32 X 1 X 10 Ga
5	532145006	Clip Push-In
6	873800600	Nut Hex w/Ins. 3/8-16 Unc
7	532124181	Spring Seat Cprsn 2 250 Blk Zi
8	817490616	Screw Thdrol 3/8-16 X 1 Ty-tt
9	819131614	Washer 13/32 X 1 X 14 Ga.
10	532155925	Pan Seat
12	532121246	Bracket Mounting Switch
13	532121248	Bushing Snap Blk Nyl 50 Id

KEY PART NO. NO.

DESCRIPTION

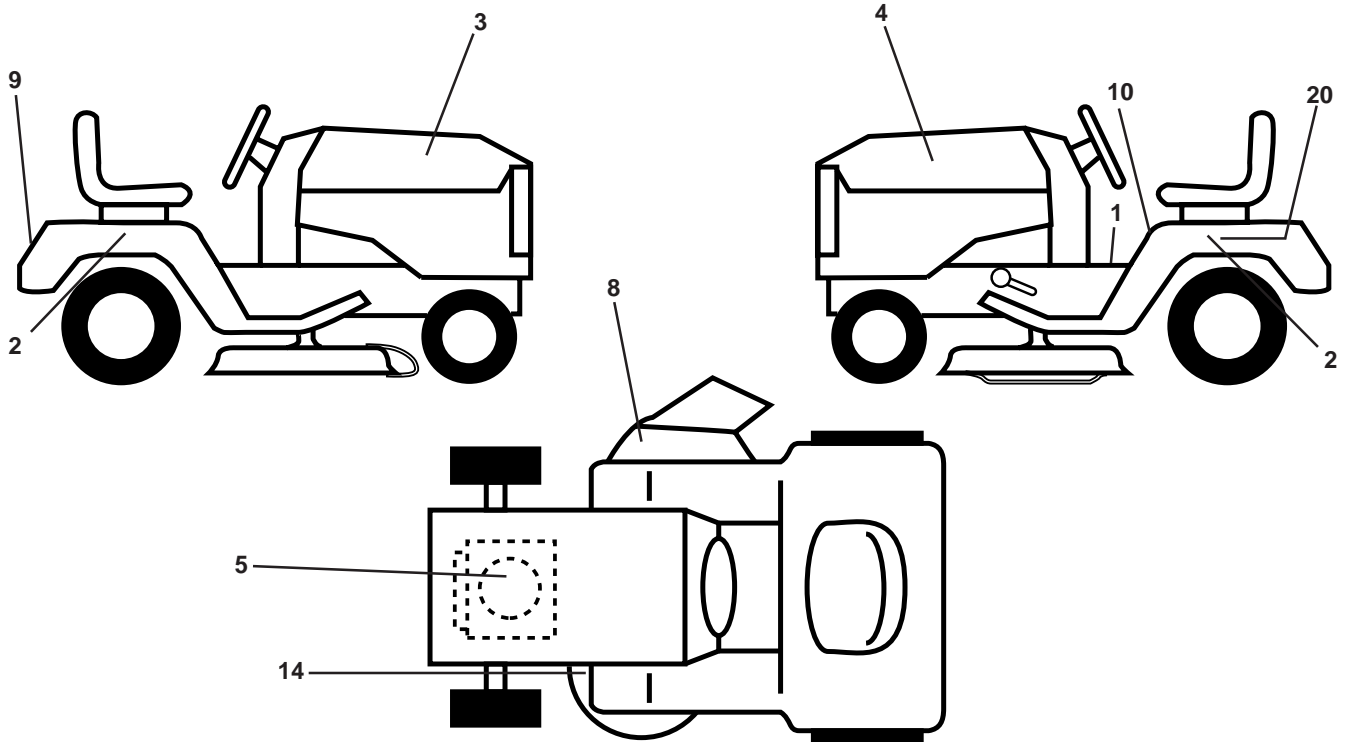
14	872050411	Bolt Rdhd Sqnk 1/4-20x1-3/8
15	532134300	Spacer Split 28x 96 Yel Zinc
16	532121250	Spring Cprsn 1 27 Blk Pnt
17	532123976	Nut Lock 1/4 Lge Flg Gr 5 Zinc
21	532153236	Bolt Shoulder 5/16-18 Unc
22	873800500	Nut Hex Lock W/Ins 5/16-18
23	874780814	Bolt, Hex Head, Fin 1/2-13 x 7/8 Grade 5
24	819171912	Washer 17/32 X 1-3/16 X 12 Ga.
25	532127018	Bolt Shoulder 5/16-18 X 62
26	810040800	Washer Lock

NOTE: All component dimensions given in U.S. inches.
1 inch = 25.4 mm

REPAIR PARTS

TRACTOR - MODEL NO. LTH120 (954140013A), PRODUCT NO. 954 1400-13

DECALS



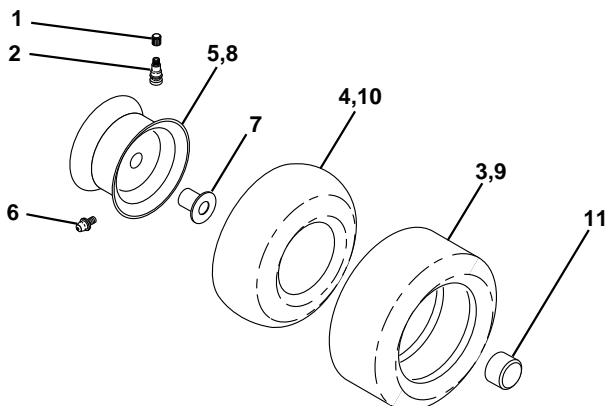
KEY NO.	PART NO.	DESCRIPTION
1	532157032	Decal Oper. Step Thru Eng/Fr
2	532157007	Decal Fender Auto Husq Radius
3	532157195	Decal Hood LH
4	532157193	Decal Hood RH
5	532271967	Decal HP Engine
8	532137259	Decal Warning
9	532150617	Decal Fender Husq
10	532157140	Decal Fender Danger Eng/Fr
14	532136832	Decal V-Belt Schematic
20	532145005	Decal Bat Dan/Psn
--	532154515	Pad Footrest LH STLT

KEY NO.	PART NO.	DESCRIPTION
--	532154516	Pad Footrest RH STLT
--	532138311	Decal Handle Lft Height Adjust
--	532142341	Decal Drawbar Cntrl Mvt Hyd
--	532159138	Manual Owner's (English)
--	532159139	Manual Owner's (French)

Available accessories not included with tractor:

--	MK380	Mulcher Kit with Blades
----	-------	-------------------------

WHEELS & TIRES



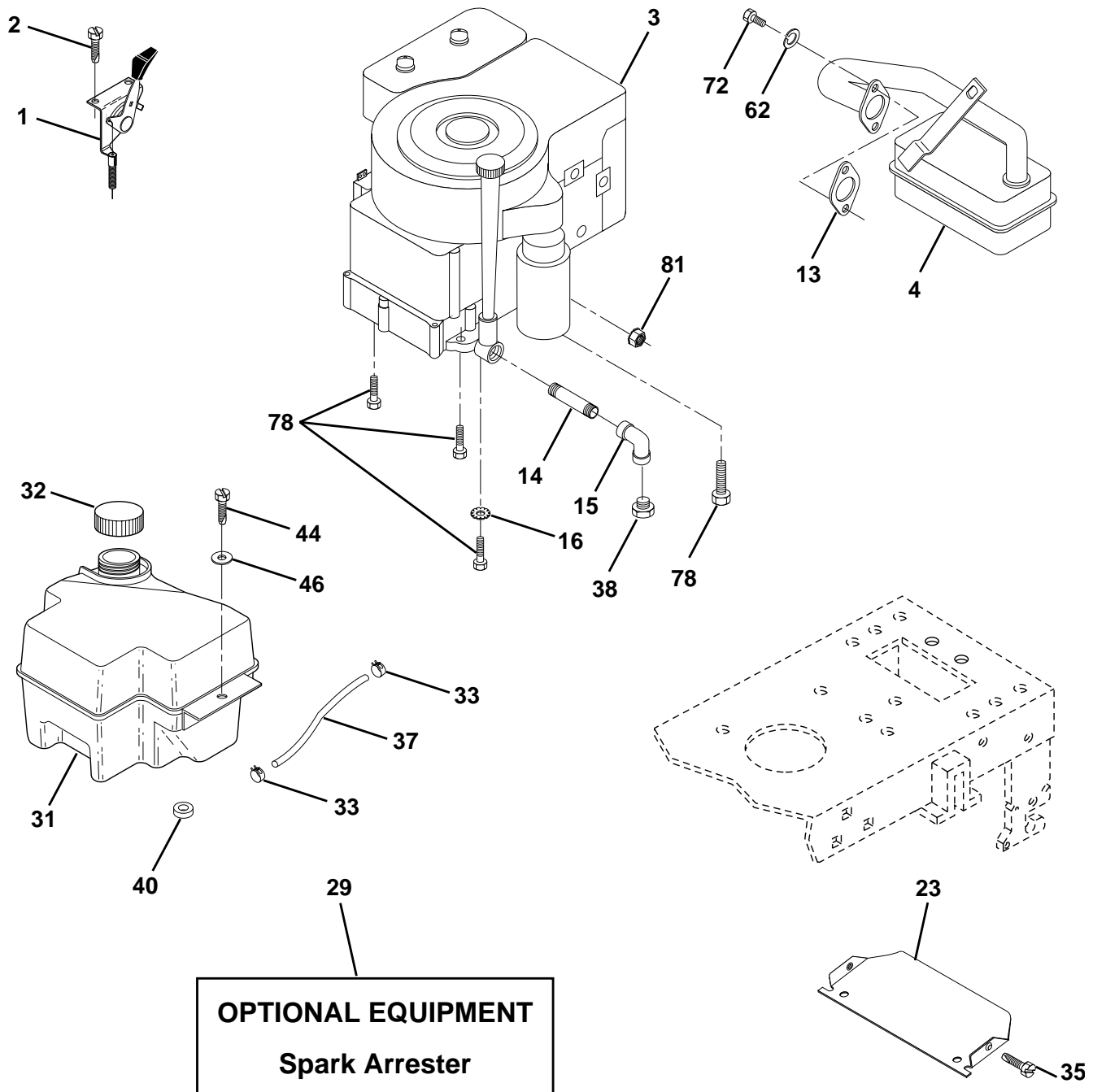
KEY NO.	PART NO.	DESCRIPTION
1	532059192	Cap Valve Tire
2	532065139	Stem Valve
3	532106222	Tire F Ts 15 X 6 0 - 6 Service
4	532059904	Tube Front (Service Item Only)
5	532138336	Rim Asm 6"front Silver Service
6	532124957	Fitting Grease (Front Wheel Only)
7	532124959	Bearing Flange (Front Wheel Only)
8	532138337	Rim Asm 8"rear Silver Service
9	532124635	Tire R Ts 18x8 5-8 C Service
10	532124926	Tube Rear (Service Item Only)
11	532104757	Cap Axle Blk 1 50 X 1 00
--	532144334	Sealant, Tire (10 oz. Tube)

NOTE: All component dimensions given in U.S. inches
1 inch = 25.4 mm

REPAIR PARTS

TRACTOR - MODEL NO. LTH120 (954140013A), PRODUCT NO. 954 1400-13

ENGINE



REPAIR PARTS

TRACTOR - MODEL NO. LTH120 (954140013A), PRODUCT NO. 954 1400-13

ENGINE

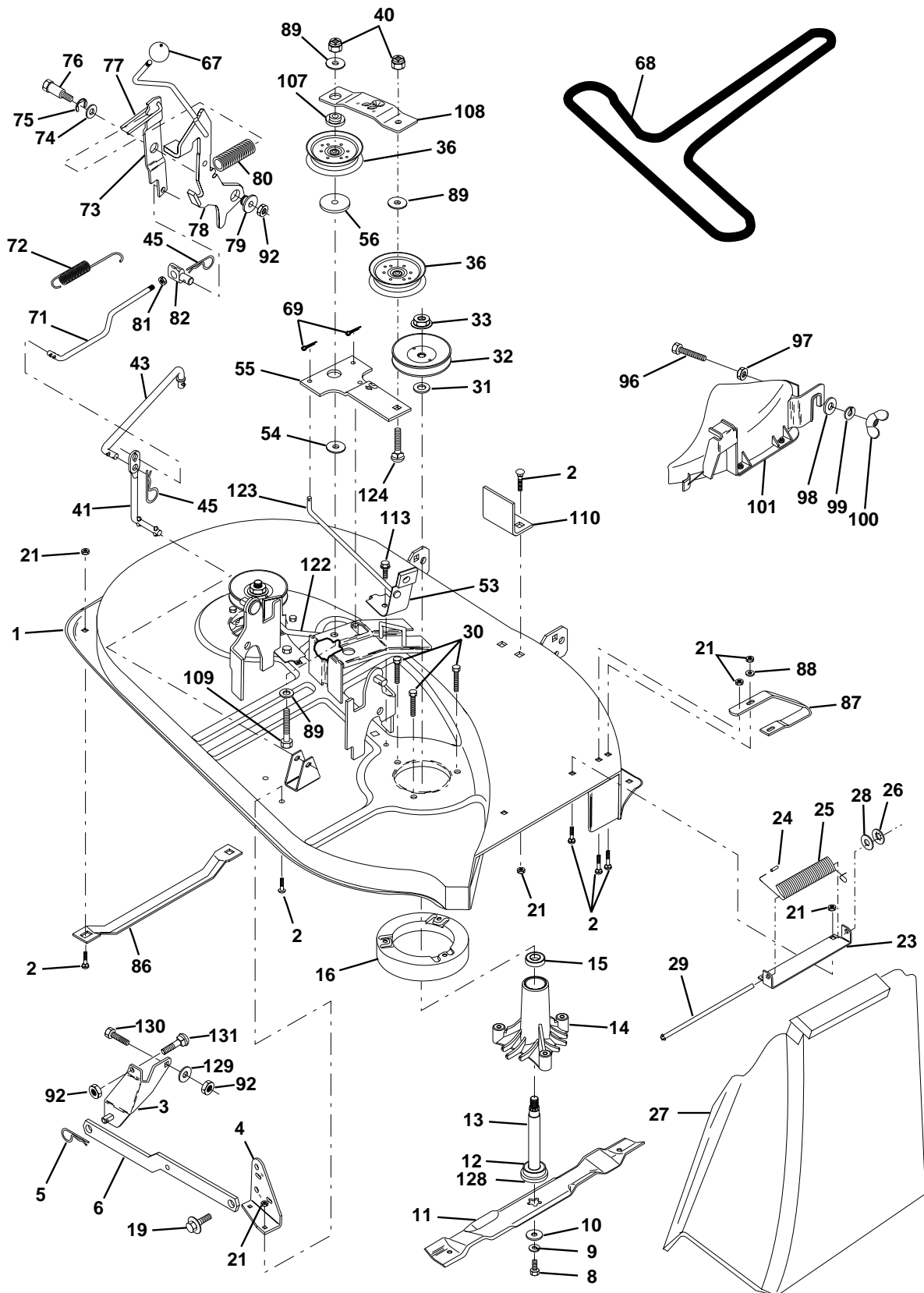
KEY NO.	PART NO.	DESCRIPTION
1	532140310	Control Th/ch 23 5 LH Flag
2	817720410	Screw Hex Thd Cut 1/4-20x5/8 T
3	-----	Engine, Briggs 289707
4	532137348	Muffler LT B&S 12/12.5/13HP
13	532272293	Gasket Eng 1 313 Id Tin Plated
14	813280324	Nipple Pipe 3/8 Npt X 3"
15	813200300	Elbow Std 90 Degree 3/8-18 Npt
16	811050600	Washer Lock Ext Tooth 3/8
23	532156123	Shield Heat
29	532137180	Kit Spark Arrestor (Flat Scrn)
31	532140280	Tank Fuel Front 2 00
32	532140527	Cap Asm Fuel W/sym Vented
33	532123487	Clamp Hose Black
35	817490512	Screw
37	532137040	Line Fuel 20"
38	-----	Plug Oil Drain (Order From Engine Manufacturer)
40	532124028	Bushing Snap Nyl Blk Fuel Line
44	817490412	Screw Hexwsh Thdrol 1/4-20x3/4
46	819091416	Washer 9/32 X 7/8 X 16 Ga
62	810040500	Washer Lock Hvy Hlcl Spr 5/16
72	871070512	Screw Hexhd Cap 5/16-18x 3/4
78	817490620	Screw Thdrol 3/8-16x1-1/4 TYTT
81	532128861	Nut Flange 1/4-20 Starter Nut

NOTE: All component dimensions given in U.S. inches
1 inch = 25.4 mm

REPAIR PARTS

TRACTOR - MODEL NO. LTH120 (954140013A), PRODUCT NO. 954 1400-13

MOWER DECK



REPAIR PARTS

TRACTOR - MODEL NO. LTH120 (954140013A), PRODUCT NO. 954 1400-13

MOWER DECK

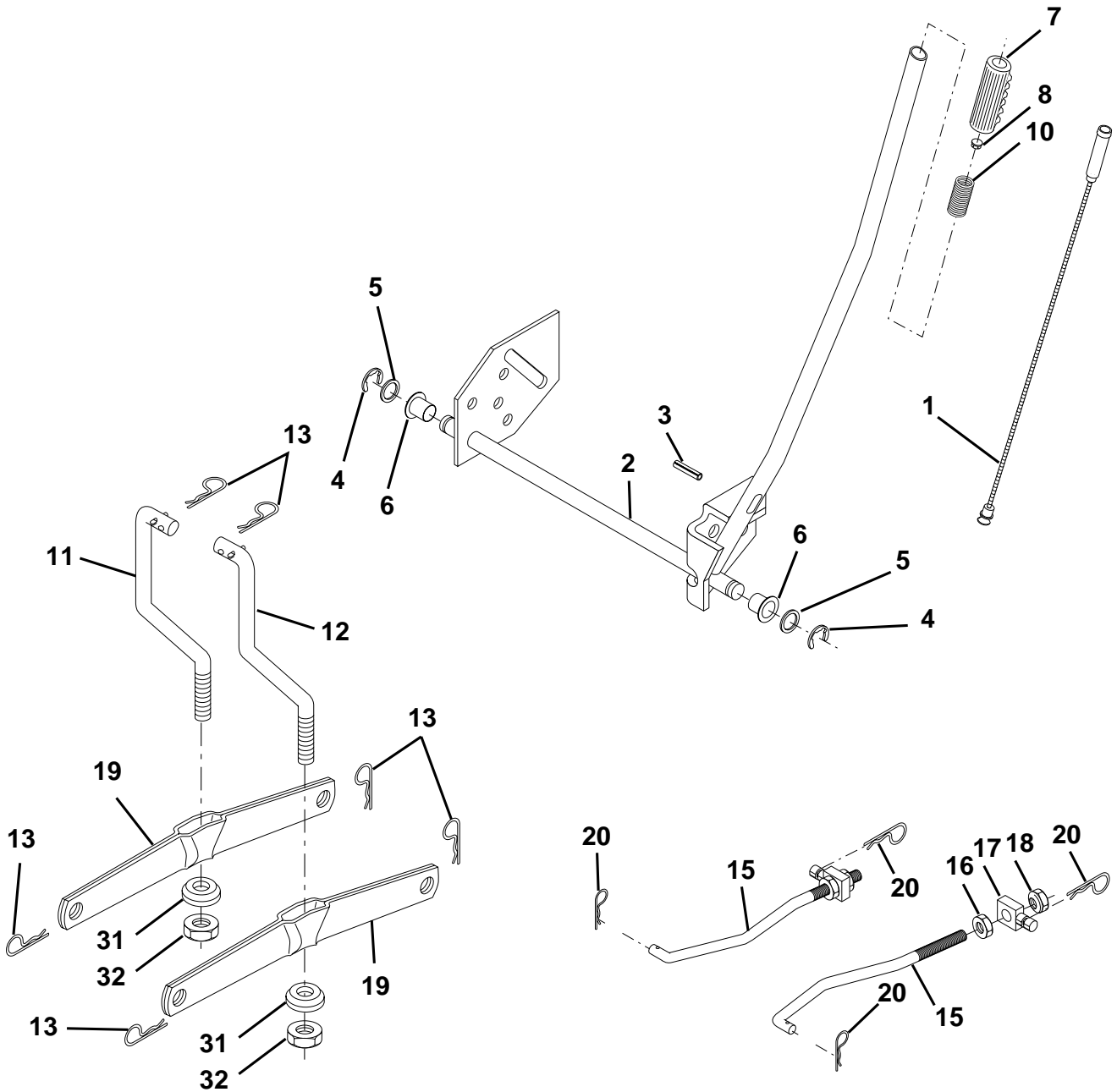
KEY NO.	PART NO.	DESCRIPTION	KEY NO.	PART NO.	DESCRIPTION
1	532142829	Deck Asm Weldment	72	532131870	Spring Return
2	872140506	Bolt Rdhd Sqnk 5/16-18unc X3/4	73	532127847	Arm Clutch Secondary
3	532138017	Bracket Asm Fr Sway Bar 38/42	74	532121748	Washer 25/32 X 1-5/8 X 16 Ga
4	532138440	Bracket Asm Deck Sway Bar	75	812000029	Ring Klip #t5304-75
5	532124670	Retainer Spring	76	532128903	Bolt Shoulder 3/8-16 Unc 1 44
6	532130832	Arm Suspension Rear	77	532127845	Keeper Spring 4 000
8	532850857	Bolt 3/8 - 24 X 1.25 Gr 8	78	532154809	Arm Asm Clutch Primary
9	810030600	Washer Lock Hvy 3/8	79	532127498	Bushing 747 Od X 794 Lg Brass
10	532140296	Washer Hard Blade Mower Vented	80	532153701	Spring Clutch Mower
11	532134148	Blade Mower Mulching 38"	81	873350600	Nut Hex Jam 3/8-16
12	532129895	Bearing Ball #6024 (Mandrel)	82	532142028	Trunnion Adj 94
13	532137645	Shaft Asm W/lower Bearing	86	532125074	Runner, LH
14	532128774	Housing Mandrel Vented	87	532128772	Runner, RH
15	532110485	Bearing Ball Mandrel	88	819111216	Washer 11/32 x 3/4 x 16 Ga.
16	532140329	Stripper Mower Vented	89	819131612	Washer 13/32 x 1 x 12 Ga.
19	532132827	Bolt Shoulder	92	873800600	Nut Lock Hex W/Ins 3/8-16 Unc
21	873680500	Nut Crownlock 5/16-18 UNC	96	874930620	Bolt 3/8-16 x 1-1/4 Mulcher
23	532137607	Bracket Deflector Mower	97	873930600	Nut Crownlock 3/8-16 UNC
24	532105304	Cap Sleeve 80x 112 Blk Mower	98	819132016	Washer 13/32 x 1-1/4 x 16 Ga.
25	532123713	Spring Torsion Deflector 2 52	99	810040600	Washer Lock Hvy Hlcl Spr 3/8
26	532110452	Nut Push Phos & Oil	100	532135651	Nut Wing
27	532106736	Shield Deflector	101	532132803	Cover Asm Mulching 38"
28	819111016	Washer 11/32 X 5/8 X 16 Ga	107	532133502	Spacer, Retainer
29	532106735	Rod Hinge	108	532133503	Stiffener, Idler Arm
30	532138776	Screw Thdrol Hex Head Zinc Mwr	109	874760640	Bolt, Hex Head 3/8-16 x 2-1/2
31	532129963	Washer Spacer Mower Vented	110	532142587	Upstop Deck Front 38"
32	532153532	Pulley Mandrel	113	817490512	Screw Thdrol 5/16-18 X 3/4
33	532137266	Nut 9/16 Toplock Flng Oil Dip	122	532131289	Rod, Brake, LH
36	532131494	Pulley Idler Flat 3 060	123	532131288	Rod, Brake, RH
40	873680600	Nut Crownlock 3/8-16 UNC	124	872110614	Bolt, Carriage 3/8-16 x 1-3/4
41	532133551	Rod Pivot W/nibs	128	532153390	Washer Felt
43	532133504	Rod Clutch Secondary	129	819131312	Washer 13/32 x 13/16 x 12 Ga.
45	532124788	Spring Retainer 1" Zinc/cad	130	874780616	Bolt, Fin Hex 3/8-16 UNC x 1 Gr. 5
53	532130840	Asm Brake	131	872140608	Bolt, Rdhd Sqnk 3/8-16 x 1
54	532133943	Washer Hardened	--	532130794	Mandrel Asm Service (Includes Key Nos. 8-10, 12-15, 31 and 33)
55	532133840	Arm Idler	--	532142820	Mower Deck Complete (Std. Deck - order separately mulcher plate components key nos. 96-101)
56	532122052	Spacer Retainer Pm Mower			
67	532106932	Knob Rd 1/2-13 Plstc Thds Blk			
68	532144200	V-Belt Mower			
69	876020312	Pin, Cotter 3/32 x 3/4			
71	532142427	Rod Clutch Primary 38/42			

NOTE: All component dimensions given in U.S. inches
1 inch = 25.4 mm

REPAIR PARTS

TRACTOR - MODEL NO. LTH120 (954140013A), PRODUCT NO. 954 1400-13

MOWER LIFT



REPAIR PARTS

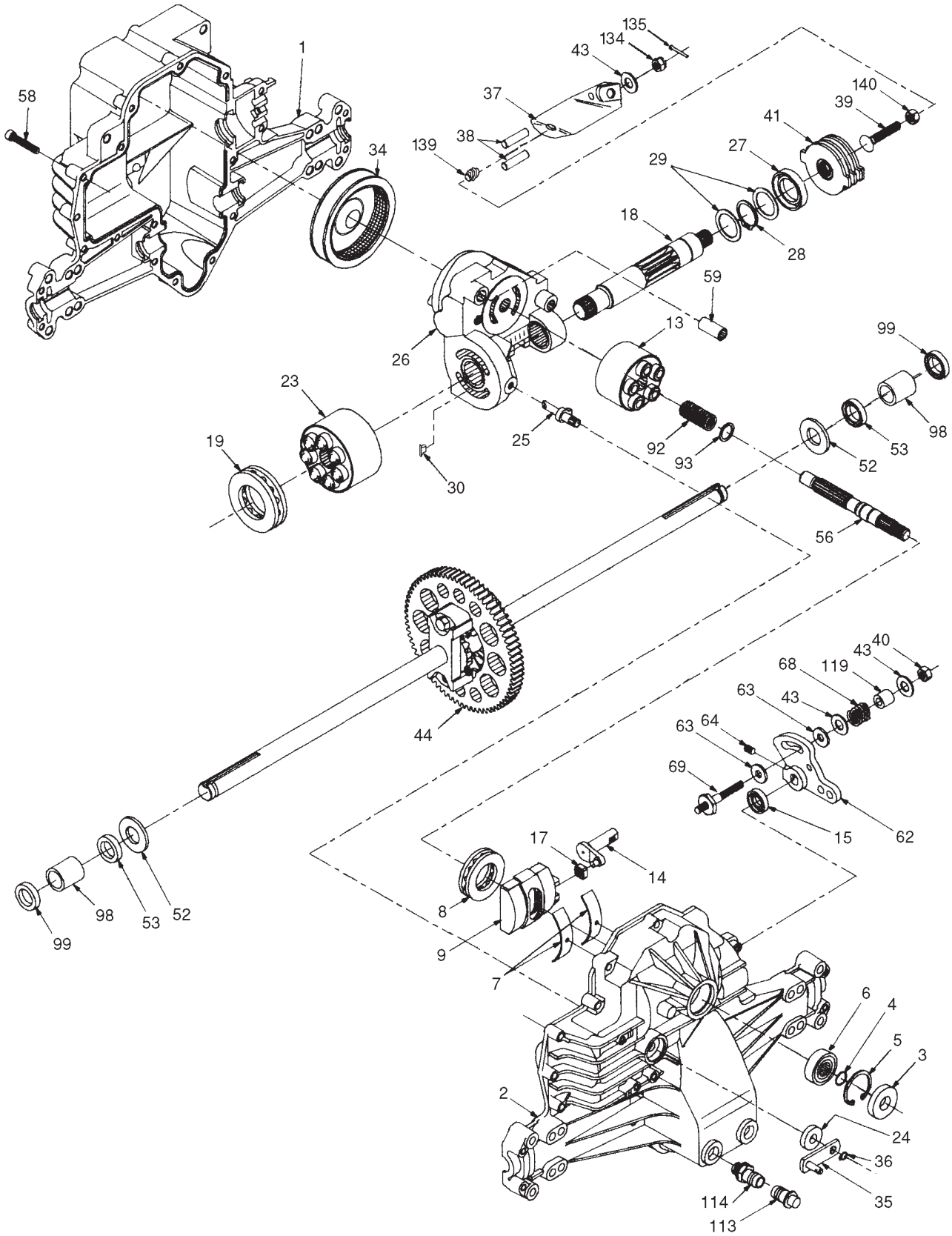
TRACTOR - MODEL NO. LTH120 (954140013A), PRODUCT NO. 954 1400-13
MOWER LIFT

KEY NO.	PART NO.	DESCRIPTION
1	532136973	Wire Asm Inner W/plunger 17 32
2	532145117	Shaft Asm Lift
3	532105767	Pin Groove
4	812000002	E Ring #5133-62
5	819211621	Washer PLTD 21/32 X 1 X 21ga
6	532120183	Bearing Nylon Blk 629 Id
7	532109413	Grip Handle Bicycle
8	532124526	Button Plunger Black
10	532122512	Spring Cprsn 3 750 Oiled
11	532139865	Link Lift LH
12	532139866	Link Lift RH
13	532124670	Retainer Spring
15	532127218	Link Front
16	873350800	Nut Jam Hex 1/2-13 Unc
17	532130171	Trunnion Blk Zinc
18	873800800	Nut Lock W/wsh 1/2-13unc
19	532139868	Arm Suspension Rear
20	532124660	Spring, Retainer
31	532140302	Bearing Pvt. Lift Spherical
32	873540600	Nut Crownlock 3/8-24

NOTE: All component dimensions given in U.S. inches
1 inch = 25.4 mm

REPAIR PARTS

TRACTOR - MODEL NO. LTH120 (954140013A), PRODUCT NO. 954 1400-13
HYDRO TRANSAXLE - MODEL NUMBER 310-500



REPAIR PARTS

TRACTOR - MODEL NO. LTH120 (954140013A), PRODUCT NO. 954 1400-13

HYDRO TRANSAXLE - MODEL NUMBER 310-500

KEY PART NO. NO.	DESCRIPTION	KEY PART NO. NO.	DESCRIPTION		
1	532142986	Housing, Lower	40	532150778	Locknut, Hex 5/16-24 UNJC
2	532142987	Assembly, Upper Housing	41	532142958	Brake Rotor/Stator Kit
3	532142932	Seal, Lip	43	532142884	Washer 7/16 x 7/8 x .060
4	532142928	Ring, Wire Retaining	44	532142990	Differential Assembly
5	532142933	Ring, Retaining	52	532142991	Washer 3/4 x 1.5 x .13
6	532142934	Bearing, Shaft Ball	53	532142961	Seal .75 x 1.25 x .250
7	532142935	Bearing, Cradle	56	532142963	Shaft, Input
8	532150771	Bearing, Thrust 30 x 52 x 13	58	532142964	Bolt 1/4-20 x 1.38
9	532142937	Swashplate, Variable	59	532142965	Pin .5 OD x .43 ID x .750
13	532142938	Block, Cylinder Assembly	62	532142966	Arm, Control
14	532142939	Arm, Trunnion	63	532142967	Puck, Dampener
15	532142940	Seal, Lip	64	532142920	Set Screw
17	532142941	Guide, Slot	68	532142969	Spring
18	532150772	Shaft, Motor	69	532144610	Stud 5/16-24
19	532150773	Bearing, Thrust 42 x 68 x 16	92	532142977	Spring, Block
23	532142944	Block, Cylinder Assembly	93	532142978	Washer, Block Thrust
24	532142945	Seal, Lip 10 x 25 x 7	98	532142993	Sleeve Bearing
25	532142946	Actuator, Bypass	99	532142976	Seal, Wiper
26	532150774	Center Section Assembly Kit	113	532142917	Cap, Vent Assembly
27	532142948	Seal, Lip 26 x 42 x 8	114	532142918	Fitting, O-Ring Assembly
28	532142949	Ring, Retaining	119	532142980	Spacer
29	532142950	Washer 26 x 35 x 1	134	532144607	Nut, Castle 5/16-24
30	532150787	Nut, Jam	135	532144608	Pin, Cotter
34	532142951	Oil Filter Element	139	532150775	Spring, Compression
35	532142952	Arm, Bypass	140	532150776	Nut, Hex 5/16-24
36	532142953	Ring, Retaining			
37	532142954	Arm, Actuating			
38	532142955	Pin, Actuating			
39	532150777	Bolt 5/16-24 x 1-3/4			

NOTE: All component dimensions given in U.S. inches
1 inch = 25.4 mm