

LT 125



1.1998

Spare parts

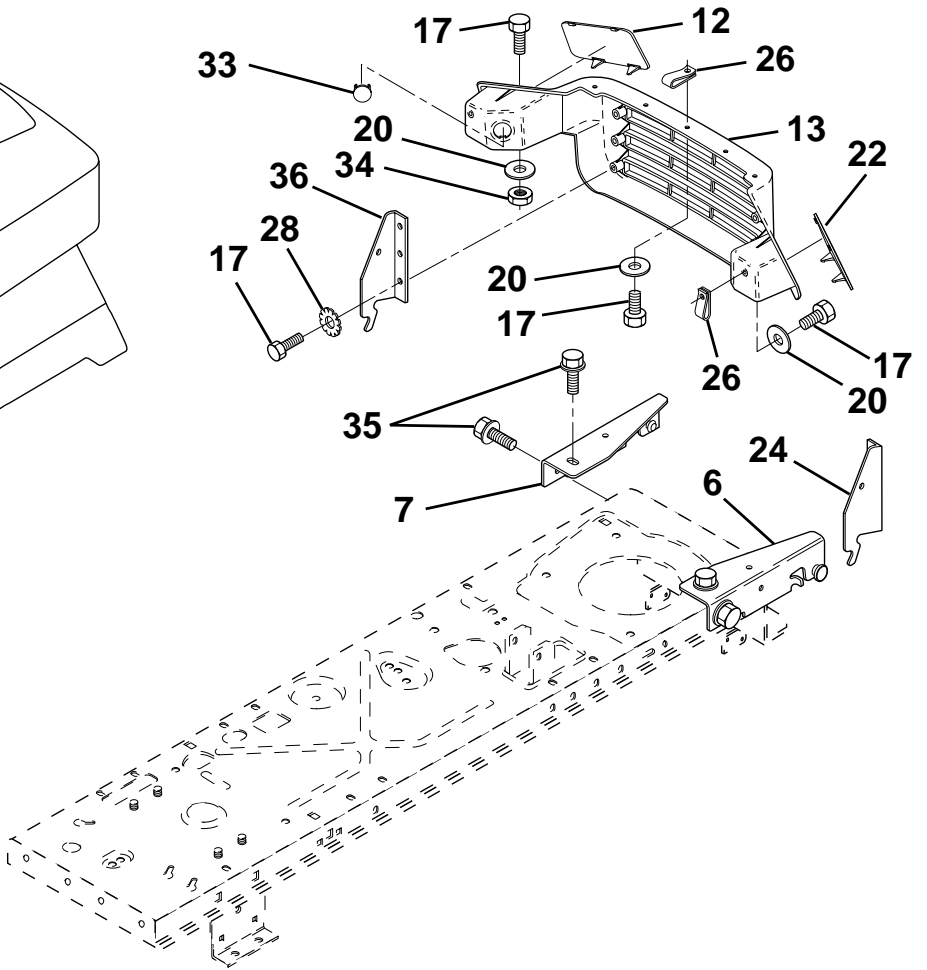
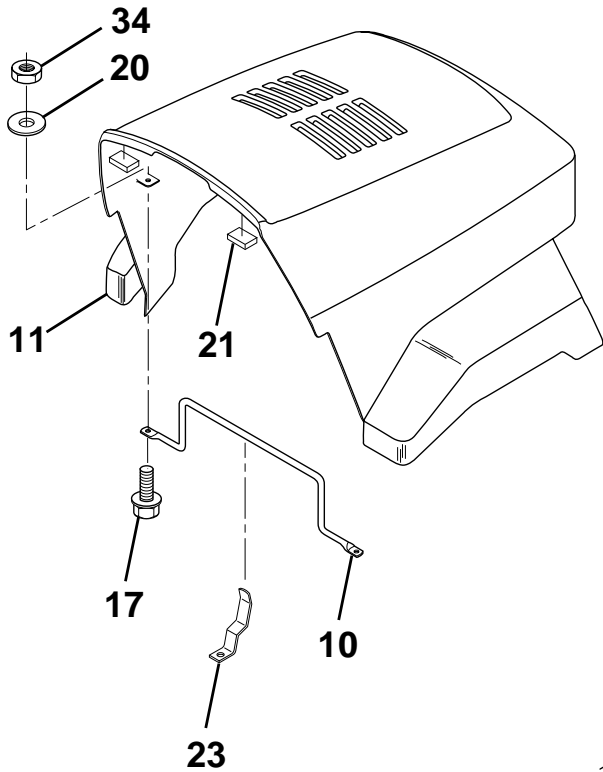
Ersatzteile

Pièces détachées

Reserve onderdelen

Repuestos

Reservdelar



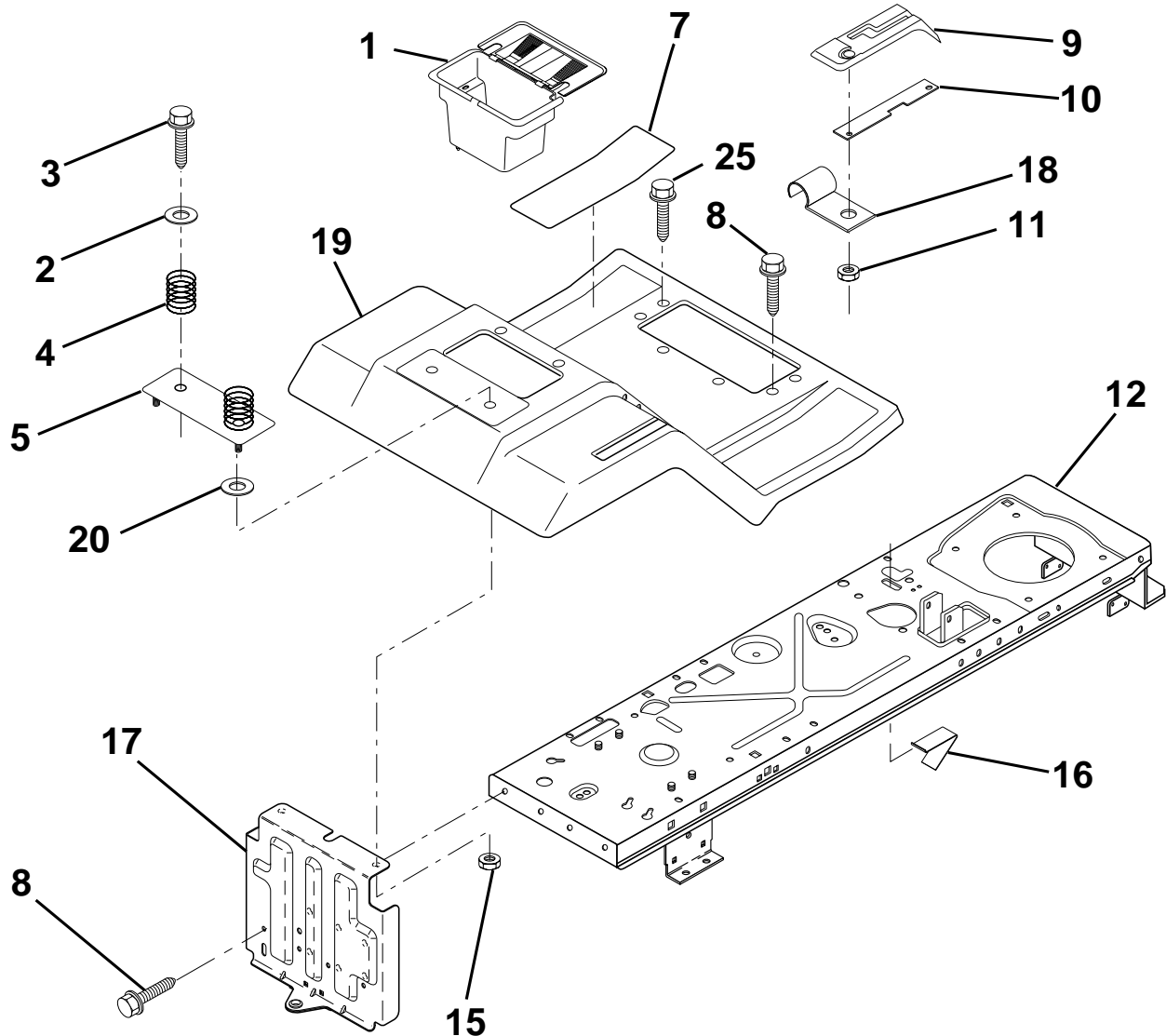
KEY NO.	PART NO.	DESCRIPTION
6	532140051	Bracket Asm. Pivot Hood RH
7	532140050	Bracket Asm. Pivot Hood LH
10	532130850	Brace Hood
11	532140142	Hood
12	532157066	Lens LH
13	532156871	Grille
17	874780410	Bolt Fin Hex 1/4-20 x 5/8
20	819091016	Washer, Flat 1/4
21	532126938	Bumper Hood

KEY NO.	PART NO.	DESCRIPTION
22	532157067	Lens RH
23	532139969	Latch Hood
24	532142873	Bracket Pivot Hood RH
26	532052921	Clip Tinnerman
28	811050400	Washer Lock Ext. Tooth
33	532131319	Plug Socket Light
34	873680400	Nut, Crownlock 1/4-20
35	817490512	Screw Thdrol 5/16-28 x 3/4
36	532128445	Bracket Pivot Hood LH

HARDWARE SHOWN LARGER FOR EASIER IDENTIFICATION

B

FENDER/CHASSIS

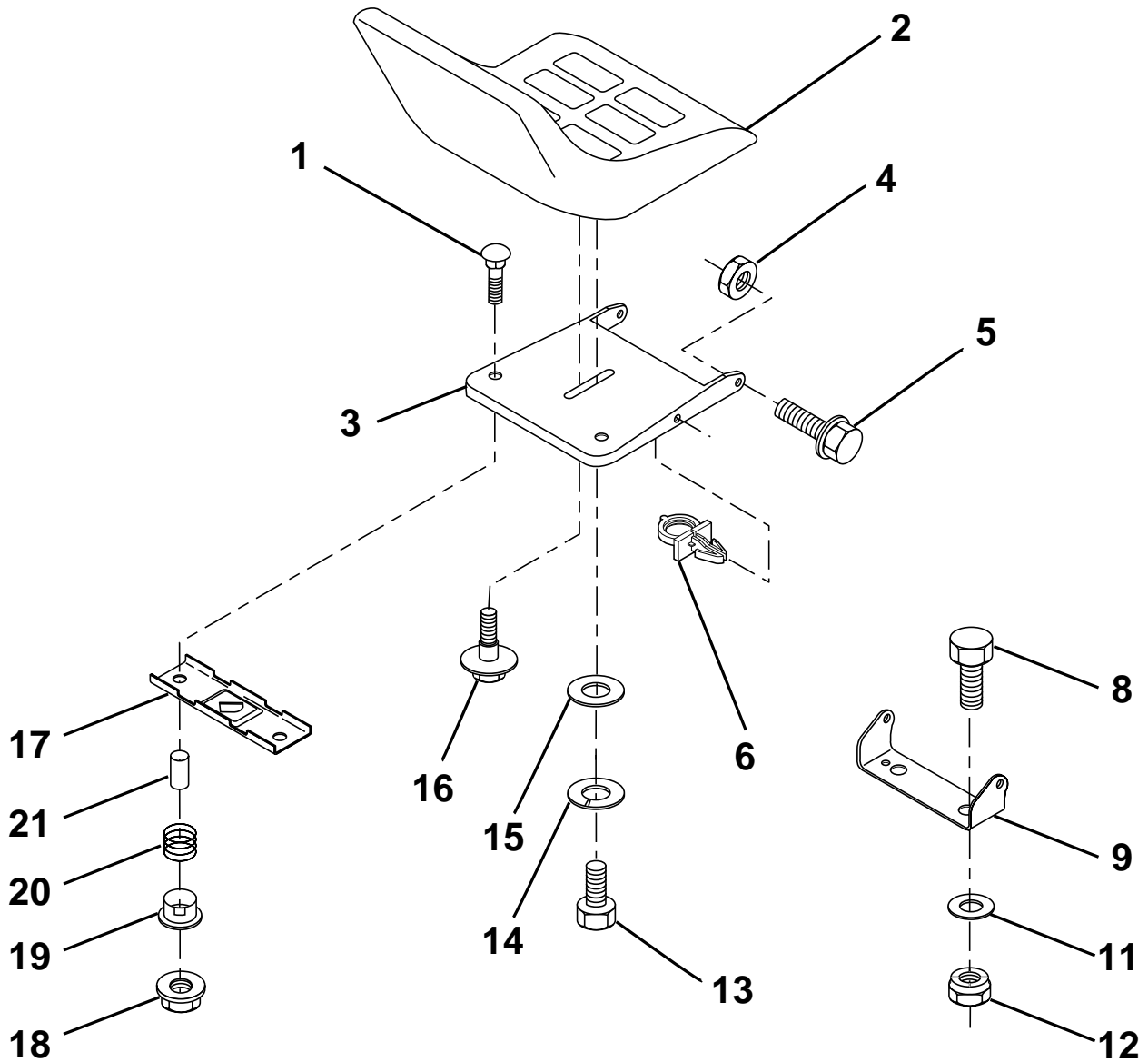


KEY NO.	PART NO.	DESCRIPTION	KEY NO.	PART NO.	DESCRIPTION
1	532156417	Case, Battery	10	532139783	Bar, Shift Lock
2	819132012	Washer 13/32 x 1-1/4 x 12 Ga.	11	532124346	Nut, Self-Threading, Wsher Hd 3/16
3	817490612	Screw, Hex Wsh. Thdrol 3/8-16 x 3/4	12	532145190	Chassis Assembly, Weldment
4	532124181	Spring, Compression, Seat	15	873640400	Nut, Keps 1/4-20 UNC
5	532125142	Plate, Asm. Battery	16	532141736	Switch Actuator
7	532124144	Pad, Footrest	17	532140782	Drawbar
8	817490512	Screw Thdrol 5/16-18 x 3/4	18	532126470	Clip, Insulated
9	532126997	Console, Shift Control	19	532141393	Fender/Footrest
			20	819091413	Washer 9/32 x 7/8 x 13 Ga.
			25	817190516	Scr-Hx Wsh Thd Rol 5/16-18 x 1

HARDWARE SHOWN LARGER FOR EASIER IDENTIFICATION

C

SEAT

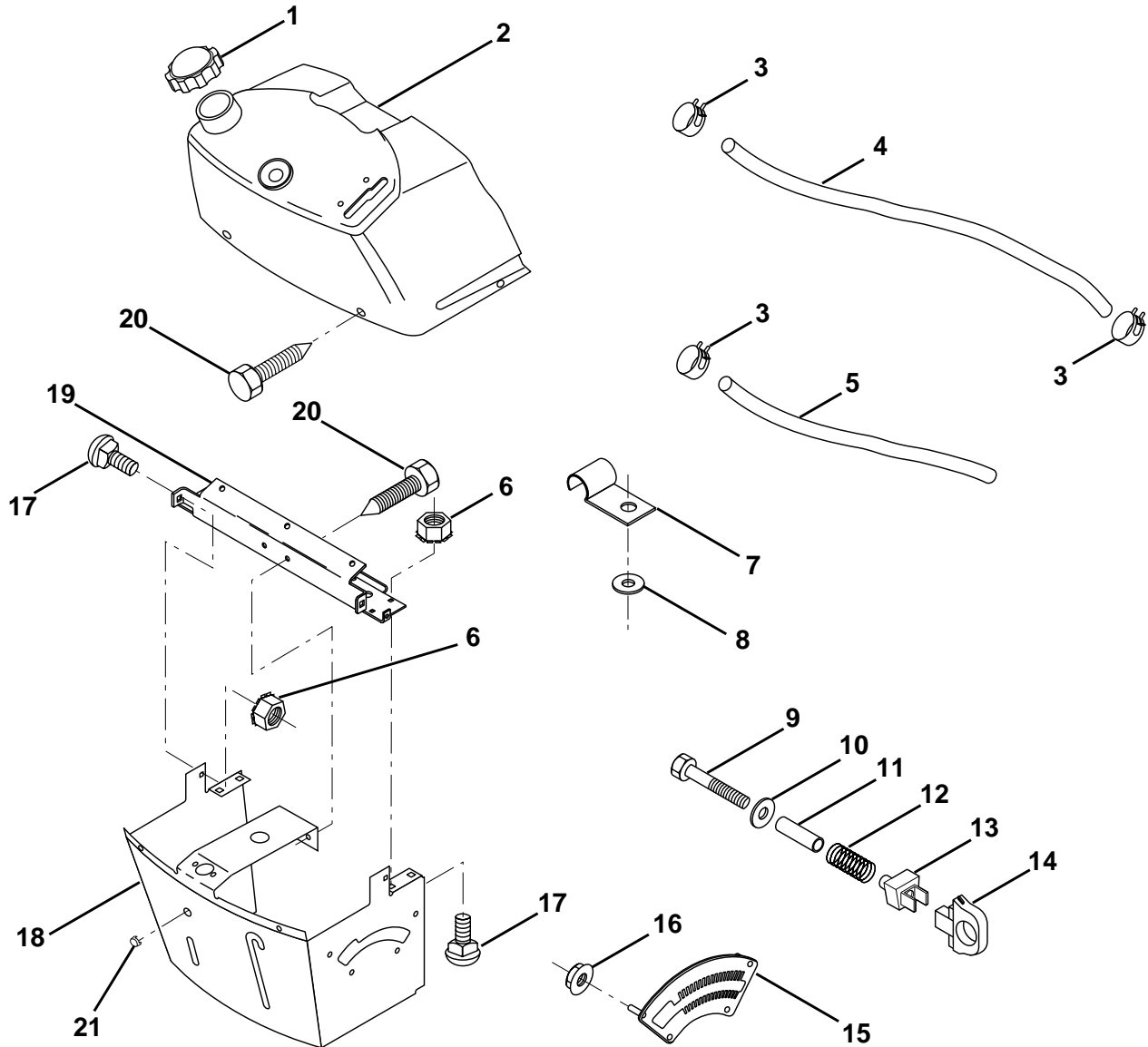


KEY NO.	PART NO.	DESCRIPTION	KEY NO.	PART NO.	DESCRIPTION
1	872050412	Bolt, Carriage 1/4-20 x 1-1/2	13	874780814	Bolt Hex 1/2-13 x 7/8
2	532140838	Seat	14	810040800	Washer Lock Hvy. Hlicl Spring 1/2
3	532155925	Pan, Seat	15	819171912	Washer, 17/32 x 1-3/16 x 12 Ga.
4	873800500	Nut, Lock Hex w/Washer 5/16 -18	16	532127018	Bolt, Shoulder
5	532153236	Bolt, Shoulder 5/16-18 UNC	17	532121246	Bracket, Switch, Mounting
6	532145006	Clip, Push-in, Hinged	18	532123976	Nut, Hex Large Flange Lock
8	874760616	Bolt, Fin Hex 3/8-16 UNC x 1	19	532121248	Bushing, Snap
9	532140551	Bracket, Pivot Seat	20	532121250	Spring, Compression
11	819133210	Washer 12/32 x 2 x 10 Ga.	21	532134300	Spacer, Split 28 Id. x .88 Lg.
12	873800600	Nut, Lock Hex w/Ins 3/8 -16			

HARDWARE SHOWN LARGER FOR EASIER IDENTIFICATION

D

DASH

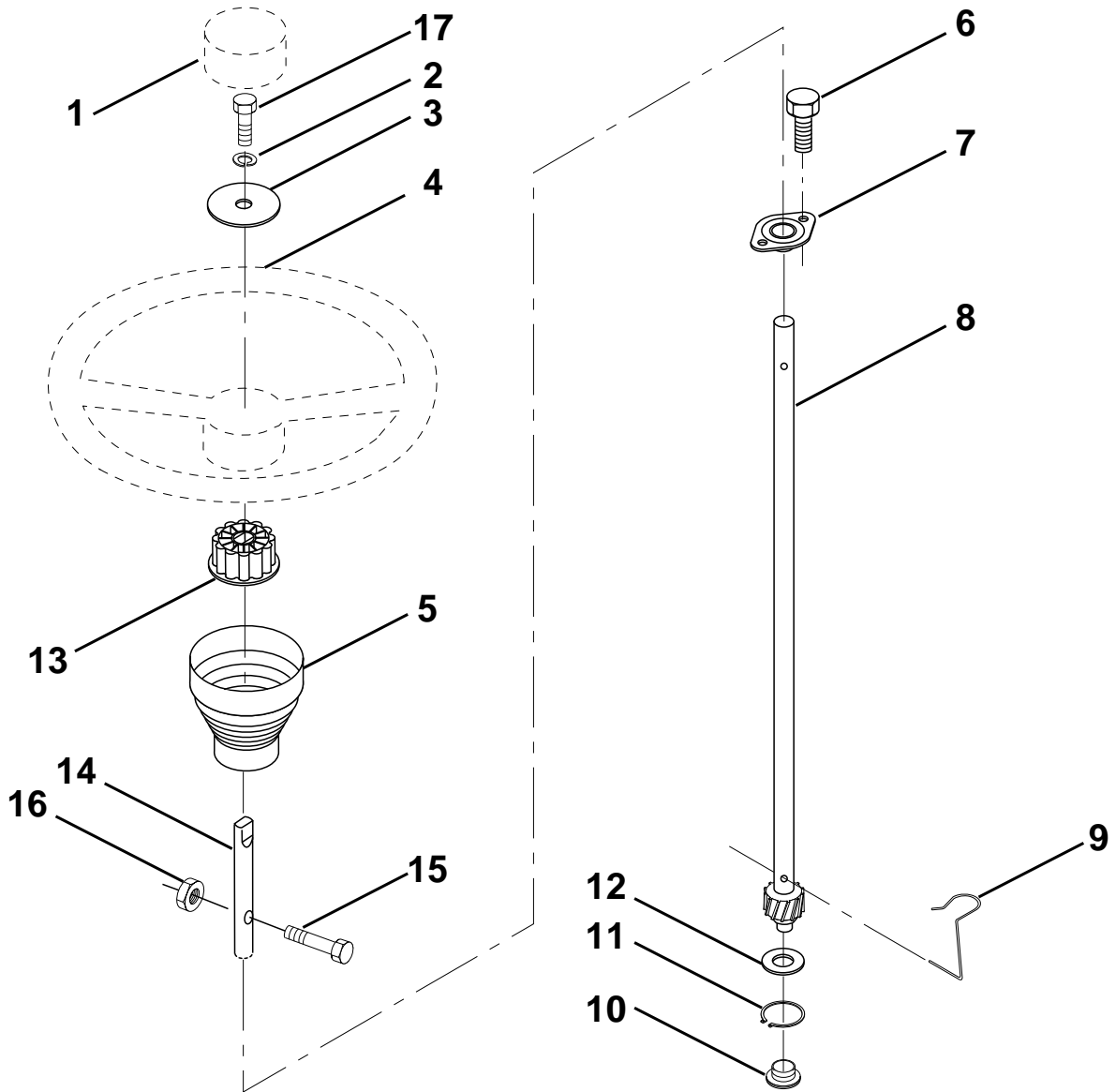


KEY NO.	PART NO.	DESCRIPTION	KEY NO.	PART NO.	DESCRIPTION
1	532142187	Cap, Fuel	12	532003720	Spring
2	532138394	Assembly, Dash & Fuel Tank	13	532126450	Clip, Height Adjustment
3	532123487	Clamp, Hose	14	532126115	Knob, Height Stop
4	532008544	Line, Fuel	15	532122023	Adjustment, Quadrant Height
5	532008548	Line, Fuel	16	532124346	Nut, Self-Threading 3/16-18
6	873640400	Nut, Hex, Keps 1/4-20	17	872110404	Bolt, Carriage 1/4-20 x 1/2 Gr. 5
7	532124996	Clip, Fuel Line	18	532130745	Support Assembly, Dash
8	819091216	Washer 9/32 x 3/4 x 16 Ga.	19	532134744	Brace, Cross
9	874760428	Bolt, Hex, Fin 1/4-20 x 1-3/4	20	817060408	Screw, Self-Tapping 1/4-20 x 1/2
10	819091413	Washer 11/32 x 11/16 x 16 Ga.	21	532134014	Plug, Dome
11	532121249	Spacer, Split			

HARDWARE SHOWN LARGER FOR EASIER IDENTIFICATION

E

STEERING WHEEL



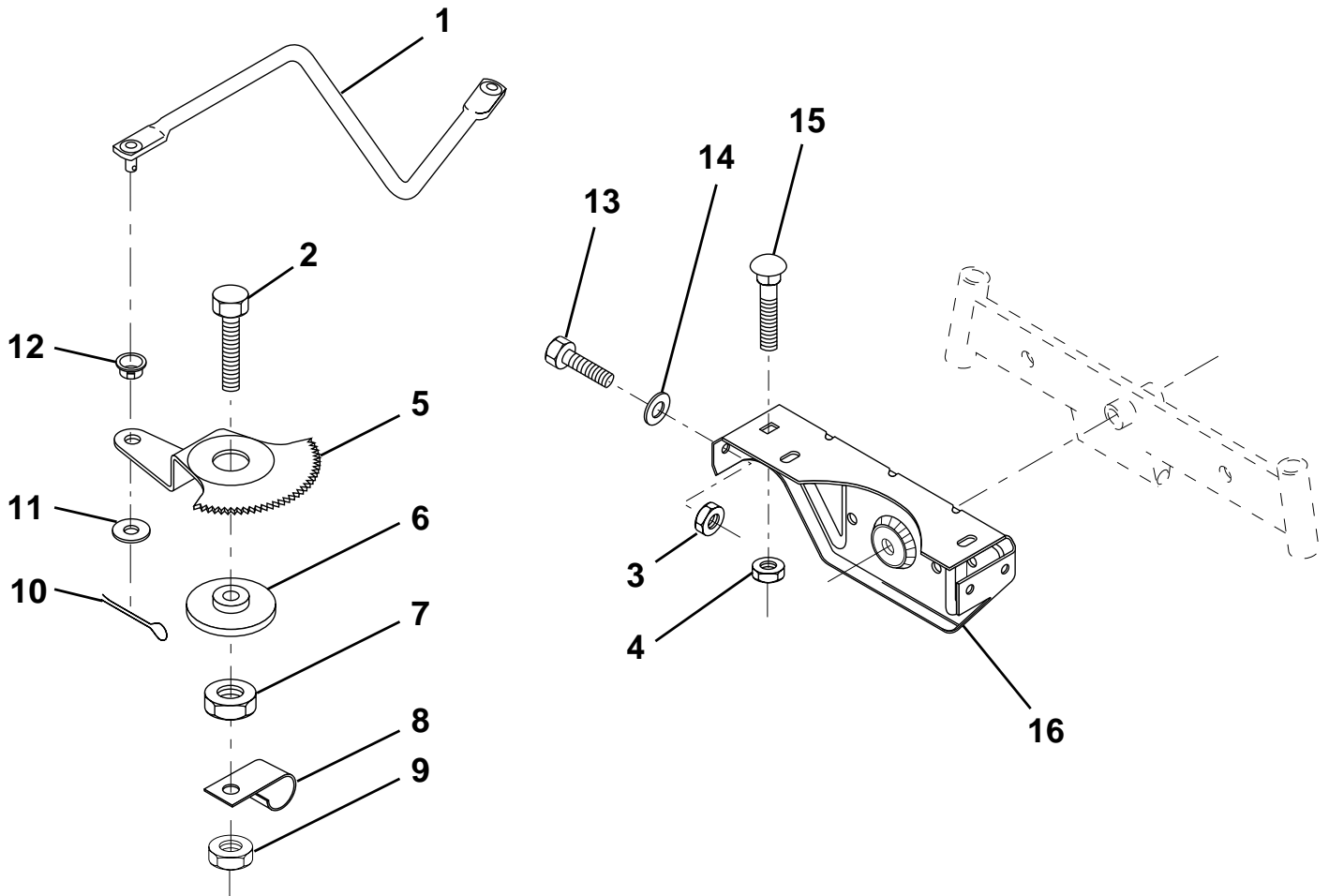
KEY NO.	PART NO.	DESCRIPTION
1	532124416	Insert, Wheel, Steering
2	810040600	Washer, Lock HVY HLCL
3	819133808	Washer 12/32 x 2-3/8 x 8 Ga.
4	532124415	Wheel, Steering
5	532127396	Sleeve, Steering

KEY NO.	PART NO.	DESCRIPTION
6	532152927	Screw
7	532155104	Bushing, Steering
8	532147391	Shaft, Steering
9	532124210	Clip, Steering
10	532123438	Bushing, Lower, Steering
11	812000045	Ring, Retaining
12	819211616	Washer 21/32 x 1 x 16 Ga.
13	532100711	Adaptor, Wheel, Steering
14	532153720	Extension, Shaft Steering
15	874780520	Bolt, Fin Hex 5/16-18 Unc x 1-1/4
16	873800500	Nut, Lock Hex w/Ins. 5/16-18 Unc
17	874780616	Bolt, Fin, Hex 3/8-16unc x 1

HARDWARE SHOWN LARGER FOR EASIER IDENTIFICATION

G

SECTOR GEAR / AXLE SUPPORT



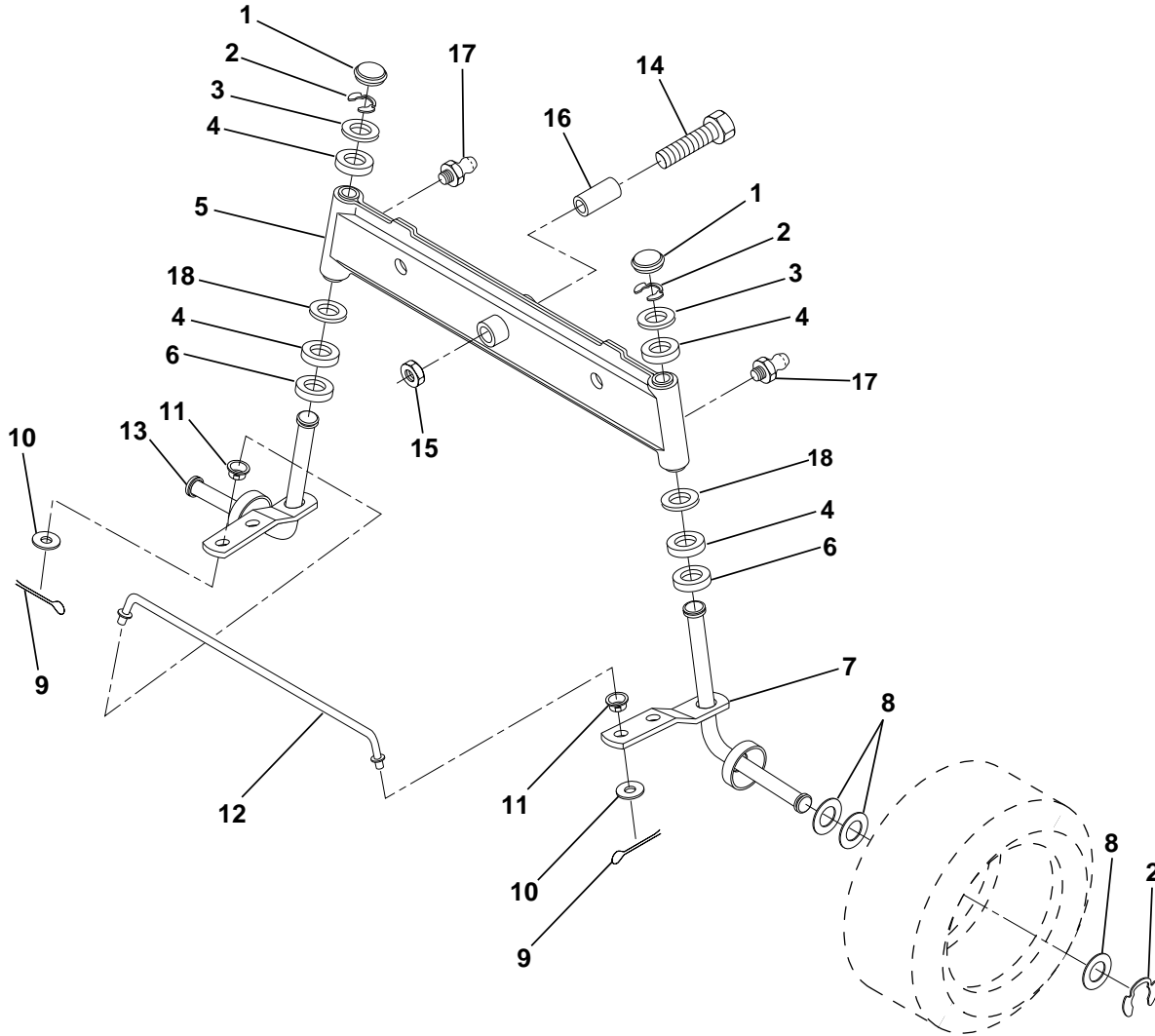
KEY NO.	PART NO.	DESCRIPTION
1	532132566	Link, Drag
2	874780828	Bolt, Fin Hex 1/2-13 x 1-3/4
3	873680500	Nut, Crownlock 5/16-18
4	873680600	Nut, Crownlock 3/8-16
5	532121926	Gear, Sector
6	532121927	Bushing
7	873030800	Nut, Heavy Hex Top Lock 1/2-13 UNC
8	532126472	Clip, Insulated

KEY NO.	PART NO.	DESCRIPTION
9	873680800	Nut, Crownlock 3/8-16
10	876020412	Pin, Cotter 1/8 x 3/4
11	819131316	Washer, 13/32 x 13/16 x 16 Ga.
12	532126847	Bushing
13	874760512	Bolt, Hex Hd. 5/16-18 UNC x 3/4
14	819111416	Washer 11/32 x 7/8 x 16 Ga.
15	872110606	Bolt, Carriage 3/8-16 UNC x 3/4
16	532137096	Support, Front Axle

HARDWARE SHOWN LARGER FOR EASIER IDENTIFICATION

H

FRONT AXLE

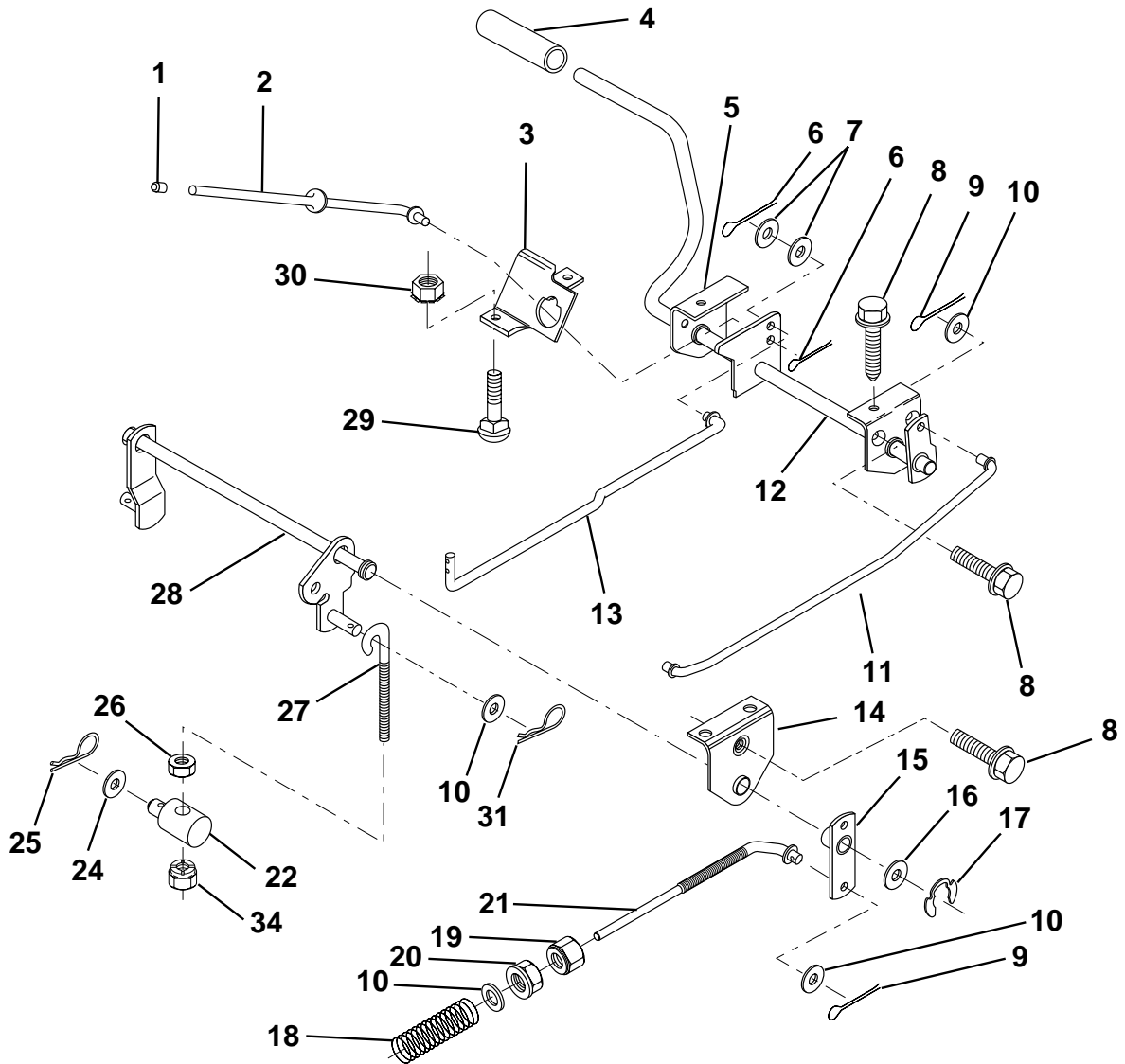


KEY NO.	PART NO.	DESCRIPTION	KEY NO.	PART NO.	DESCRIPTION
1	532121232	Cap, Spindle	10	819131316	Washer 13/32 x 13/16 x 16 Ga.
2	812000029	Ring, Clip	11	532126847	Bushing
3	532121748	Washer 25/32 x 1-5/8 x 16 Ga.	12	532130465	Rod, Tie
4	532124937	Nyliner	13	532161827	Spindle, L.H. Asm.
5	532142033	Axle, Front	14	874011056	Bolt Hex 5/1-11 x 3-1/2
6	532124931	Bearing, Thrust	15	873901000	Nut, Lock Flange 5/8-11
7	532161826	Spindle, R.H. Asm.	16	532110438	Spacer Bearing Axle
8	532121749	Washer 25/32 x 1-1/4 x 16 Ga.	17	532124836	Fitting Grease
9	876020412	Pin, Cotter 1/8 x 3/4	18	819272016	Washer 27/32 x 1-1/4 x 16 Ga.

HARDWARE SHOWN LARGER FOR EASIER IDENTIFICATION

J

BRAKE / REAR MOWER LIFT ASSEMBLY

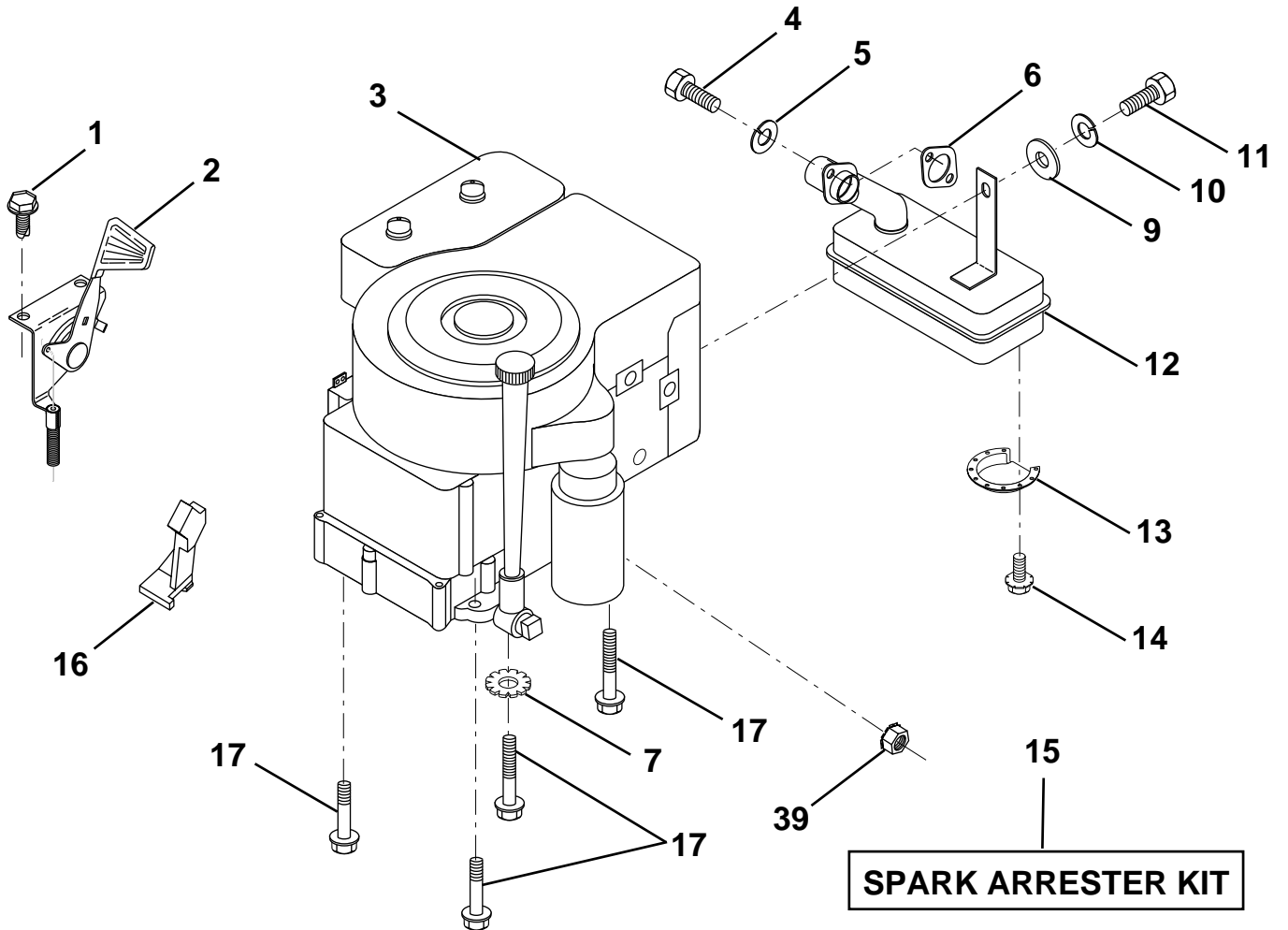


KEY NO.	PART NO.	DESCRIPTION	KEY NO.	PART NO.	DESCRIPTION
1	532071673	Cap, Plunger	16	819251816	Washer 25/32 x 1-1/8 x 16 Ga.
2	532123436	Rod, Parking Brake	17	812000034	Ring, Klip
3	532123437	Bracket, Parking Brake	18	532151332	Spring, Brake Rod
4	532008156	Cover, Pedal	19	873350600	Nut, Hex, Jam 3/8-16 UNC
5	532122504	Bracket, Clutch/Brake Pedal, L.H.	20	873800600	Nut, Lock Hex w/Ins. 3/8-16 Unc
6	876020312	Pin, Cotter 3/32 x 3/4	21	532131460	Rod, Rear Brake
7	819131016	Washer 13/32 x 5/8 x 16 Ga.	22	532144585	Trunnion, Lift
8	817490508	Screw, Hex, Thd. Roll. 5/16-18 x 1/2	24	819132012	Washer 13/32 x 1-1/4 x 12 Ga.
9	876020412	Pin, Cotter 1/8 x 3/4	25	532124961	Spring, Retainer
10	819131316	Washer 13/32 x 13/16 x 16 Ga.	26	873930600	Nut, Centerlock 3/8-16 UNC
11	532123543	Rod, Brake Front	27	532127369	Link, Threaded
12	532139933	Assembly, Clutch/Brake Pedal	28	532140776	Assembly, Rear Mower Lift
13	532123394	Rod, Clutch	29	872110506	Bolt, Carriage 5/16-18 UNC x 3/4
14	532121978	Bracket, Lift, Shaft	30	873510500	Nut, Keps 5/16-16 UNC
15	532133332	Assembly, Brake, Pivot, Arm	31	532124660	Retainer Spring
			34	873680600	Nut, Crownlock 3/8-16 UNC

HARDWARE SHOWN LARGER FOR EASIER IDENTIFICATION

F

ENGINE

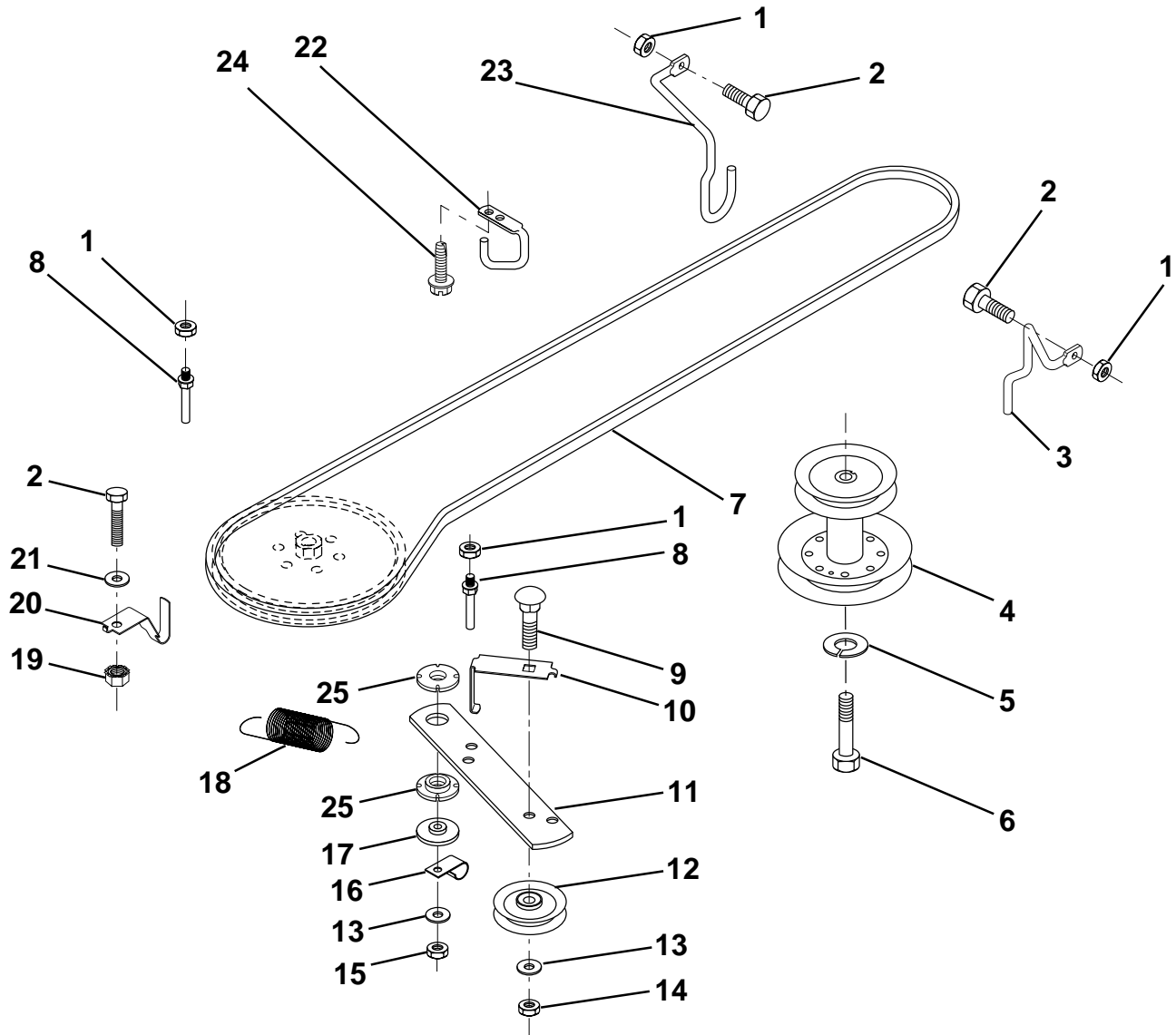


KEY NO.	PART NO.	DESCRIPTION	KEY NO.	PART NO.	DESCRIPTION
1	817060408	Screw, Hex Thd. Cut 1/4-20 x 1/2	11	-----	Bolt, Hex Fin. (Order From Eng. Mfg.)
2	532133025	Control, Throttle	12	532137437	Muffler
3	-----	Engine, Briggs and Stratton Model No. 28R707	13	532101326	Deflector, Muffler
4	871070512	Screw, Hex, Cap 5/16-18 x 3/4	14	817030808	Screw, Spiderloc, Hex Head 8 x 1/2
5	810040500	Washer, Lock Heavy Helical Spring 5/16	15	532137180	Arrester, Spark (Optional equipment)
6	532272293	Gasket, Exhaust	16	532127951	Stop, Throttle
7	811050600	Washer Lock Ext. Tooth 3/8	17	817490624	Screw, Hex Washer Head, Thdrol. 3/8-16 x 1-1/2
9	819101216	Washer 5/16 x 3/4 x 16	39	532128861	Nut, Flange 1/4-20
10	810040400	Washer, Lock Hvy Hlcl Spring 1/4			

HARDWARE SHOWN LARGER FOR EASIER IDENTIFICATION

K

GROUND DRIVE

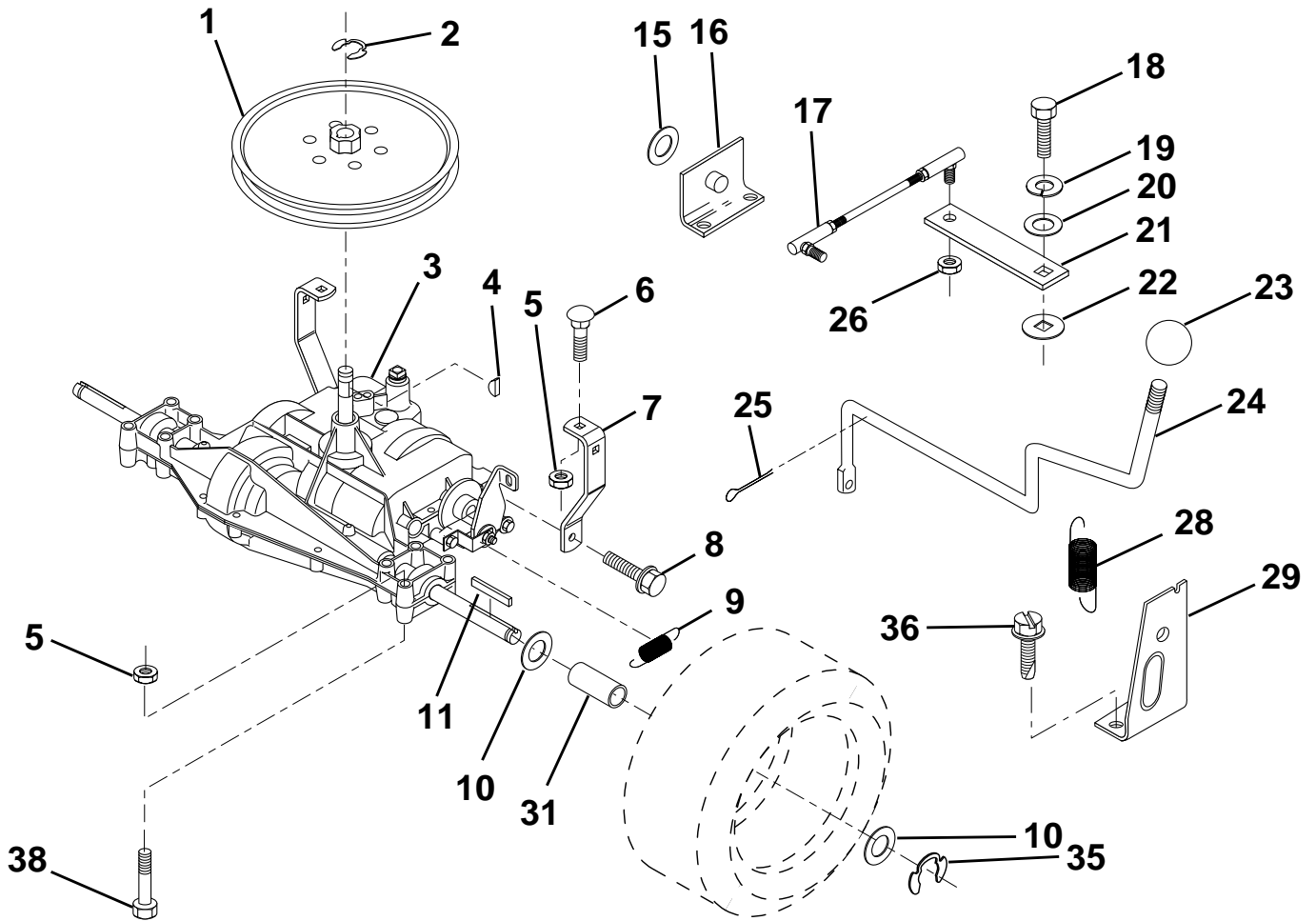


KEY NO.	PART NO.	DESCRIPTION	KEY NO.	PART NO.	DESCRIPTION
1	873680500	Nut, Crownlock 5/16-18	14	873930600	Nut, Centerlock 3/8-16 UNC
2	874760512	Bolt, Hex Hd 5/16-18 UNC x 3/4	15	873680600	Nut, Crownlock 3/8-16
3	532141342	Keeper, Mower Drive, R. H.	16	532126471	Clip, Insulated
4	532138029	Pulley, Engine	17	532150932	Spacer, Retainer
5	810040700	Washer, Lock 7/16	18	532131459	Spring Extension
6	871170744	Bolt Hex 7/16-20 Gr. 5	19	873510500	Nut, Keps 5/16-18 UNC
7	531005025	Traction, V-Belt Drive	20	532139919	Keeper, T/A Ground Drive Belt
8	532123405	Keeper, T/A Ground Drive Belt	21	819111016	Washer 11/32 x 5/8 x 16 Ga.
9	872140612	Bolt, Carr. 3/8-16 UNC x 1-1/2	22	532123404	Keeper, Frame Ground Drive Belt
10	532123396	Keeper, Belt Ground Drive Idler	23	532140916	Keeper, Mower Drive, L. H.
11	532150926	Arm, Ground Drive Clutch	24	817720408	Screw, Thd Cut 1/4-20 x 1/2
12	532123674	Idler, Flat	25	532150935	Bushing, Nylon
13	819131316	Washer 13/32 x 13/16 x 16 Ga.			

HARDWARE SHOWN LARGER FOR EASIER IDENTIFICATION

L

TRANSAXLE

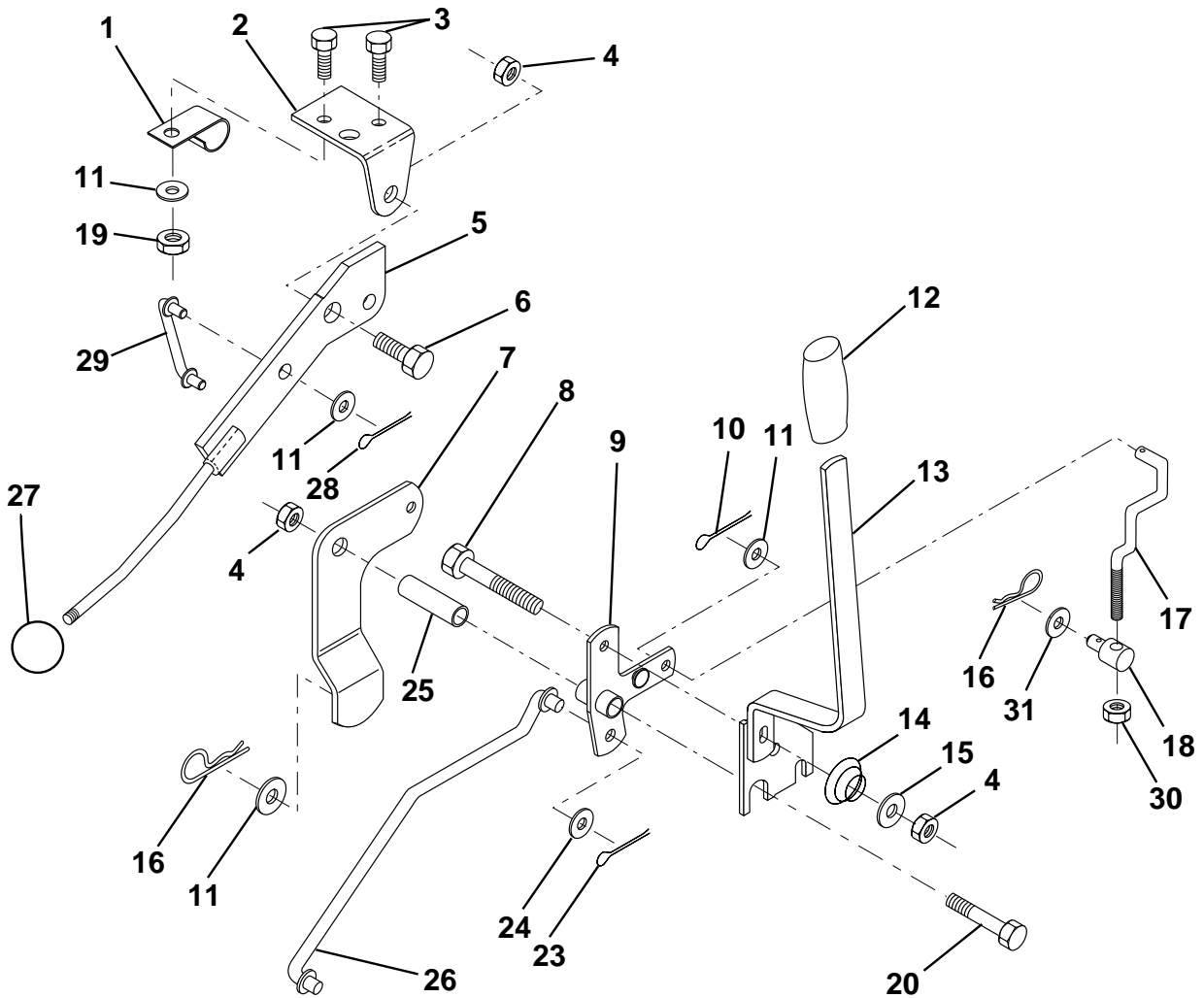


KEY NO.	PART NO.	DESCRIPTION	KEY NO.	PART NO.	DESCRIPTION
1	532123385	Pulley	18	874550412	Bolt, Fin Hex 1/4-28 UNF x 3/4 Gr. 8
2	812000028	Ring, Retainer	19	810040400	Washer, Lock 1/4
3	-----	Transaxle, (See Breakdown)Peerless Model No. 205-507B	20	819091210	Washer 9/32 x 3/4 x 10 Ga.
4	532125096	Key, Woodruff #9	21	532126292	Arm, Shift
5	873680500	Nut Crown Lock 5/16-18	22	532105701	Washer, Shift Plate
6	872140506	Bolt, Carriage 5/16-18 UNC x 3/4	23	532106933	Knob, Rd 1/2-13
7	532123378	Strap, Torque	24	532128215	Rod Shift
8	817490512	Screw 5/16-18 x 3/4	25	876020416	Pin, Cotter 1/8 x 1
9	532146682	Spring, Brake	26	873810500	Locknut 5/16-24 UNF
10	532121749	Washer 25/32 x 1-1/4 x 16 Ga.	28	532128085	Extension, Spring
11	532123583	Key, Square	29	532128084	Support Handle Shift RH
15	819171616	Washer 17/32 x 1 x 16 Ga.	31	532137057	Spacer Axle
16	532124600	Support Handle Shift LH	32	819111116	Washer 11/32 x 11/16 x 16
17	532126293	Link, Shift	35	812000001	E-Ring
			36	817720408	Screw, Thd. Cut 1/4-20 x 1/2
			38	874490544	Bolt Hex Flghd 5/16-18

HARDWARE SHOWN LARGER FOR EASIER IDENTIFICATION

O

MOWER LIFT LEVER

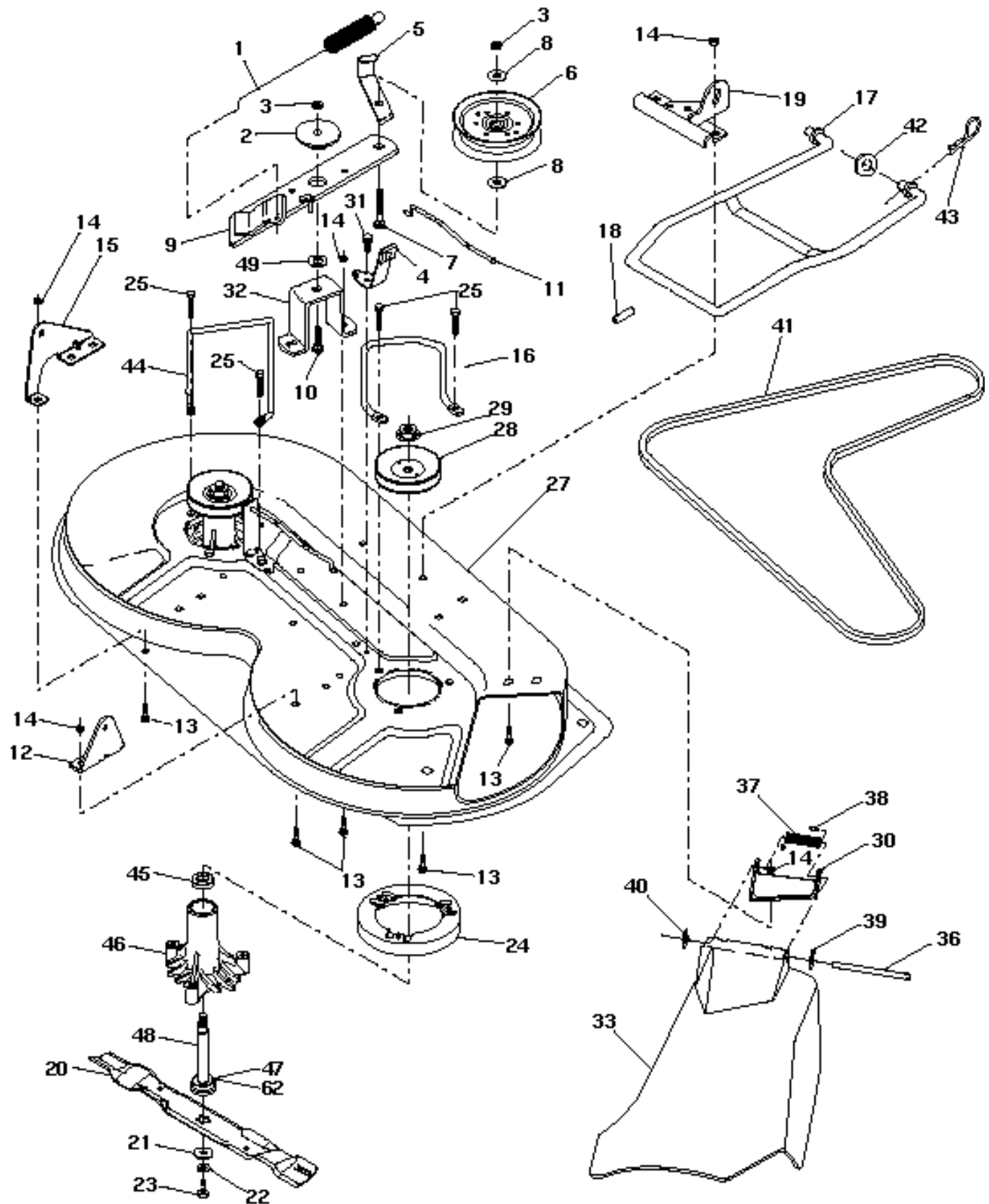


KEY NO.	PART NO.	DESCRIPTION	KEY NO.	PART NO.	DESCRIPTION
1	532126470	Clip, Insulated	15	819131212	Washer 13/32 x 3/4 x 12 Ga.
2	532122018	Bracket, Mower Clutch	16	532124961	Retainer, Spring
3	871110408	Bolt, Fin. Hex 1/4-20 UNC x 1/2 Gr. 5	17	532127359	Link, Front Lift
4	873680600	Nut, Crownlock 3/8-16	18	532142028	Trunnion, Threaded 3/8-16
5	532145187	Assembly, Clutch Lever	19	873640400	Nut, Keps 1/4-20
6	532106451	Bolt, Shoulder	20	874760644	Bolt, Fin. Hex 3/8-16 UNC x 2-3/4
7	532135371	Assembly, Mower Clutch Arm	23	876020416	Pin, Cotter 1/8 x 1
8	874760636	Bolt, Hex 3/8-16 UNC x 2-1/4	24	819171612	Washer 17/32 x 1 x 16 Ga.
9	532121930	Assembly, Bellcrank Lift	25	532121933	Tube, Spacer
10	876020412	Pin, Cotter 1/8 x 3/4	26	532141470	Rod, Mower Lift
11	819131316	Washer 13/32 x 13/16 x 16 Ga.	27	532106932	Knob
12	532131861	Grip, Handle	28	876020312	Pin, Cotter 3/32 x 3/4
13	532139352	Assembly, Lift Handle	29	532131655	Link, Mower Clutch
14	532123496	Spring, Compression	30	873350600	Nut Hex Jam 3/8-16 x 1.30
			31	819132012	Washer 13/32 x 1-1/4 x 12 Ga.

HARDWARE SHOWN LARGER FOR EASIER IDENTIFICATION

M

MOWER DECK



M

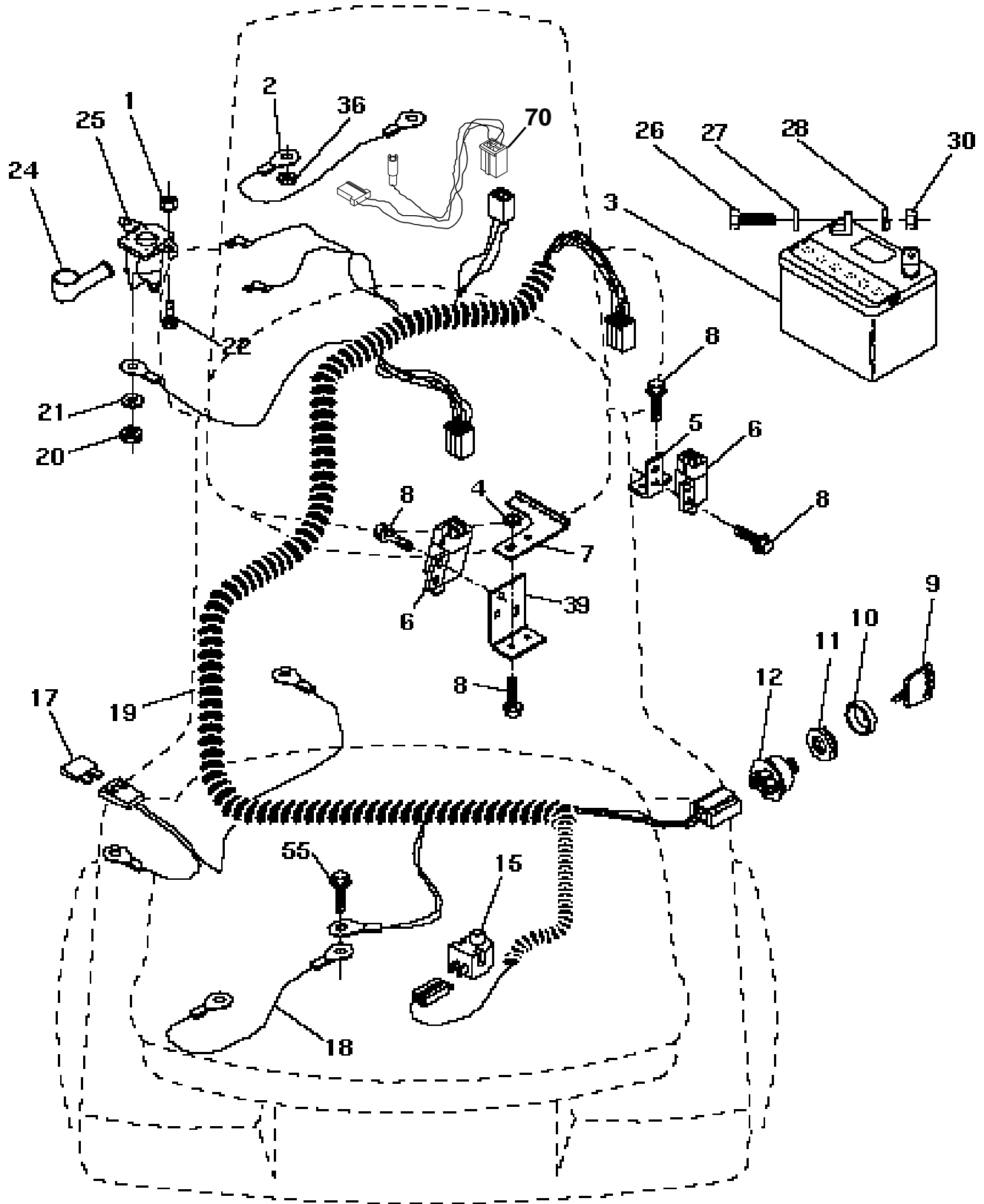
MOWER DECK

KEY NO.	PART NO.	DESCRIPTION
1	532140064	Spring, Mower Clutch
2	532122052	Spacer, Retainer
3	873680600	Nut, Crownlock 3/8-16
4	532130840	Brake Asm.
5	532131251	Guide, Belt Idler
6	532121316	Pulley, Flat Idler
7	872110616	Bolt, Carr. 3/8-16 x 1-3/4 Gr. 5
8	819131410	Washer 13/21 x 7/8 x 10 Ga.
9	532127744	Arm Asm., Idler Mower
10	872140610	Bolt, Carriage 3/8-16 x 1
11	532130841	Rod, Brake
12	532127356	Bracket, Lift R. H. Rear
13	872140506	Bolt, Carriage 5/16-18 x 3/4
14	873680500	Nut, Crownlock 5/16-18
15	532127357	Bracket, Lift L. H. Rear
16	532153298	Keeper, R. H.
17	532128508	Link, Asm. Mower Stabilizer
18	532128511	Pin, Drive
19	532127380	Bracket, Asm. Front
20	531005023	Blade, High Performance
21	532140296	Washer, Hard
22	810030600	Washer, Lock 3/8
23	532850857	Bolt 3/8-24 x 1-1/4 Gr. 8
24	532140329	Stripper
25	532157722	Screw Thdrol Washer Head
27	532156600	Deck Assembly
28	532153531	Pulley, Mandrel
29	532137266	Nut, Flangelock 9/16
30	532136631	Bracket, Asm. Deflector
31	817490508	Screw, Hex Wsh. Thdrol. 5/16-18 x 1/2
32	532122051	Arm, Support Idler Mower
33	532131560	Deflector
36	532121980	Rod, Hinge
37	532123713	Spring, Torsion Deflector
38	532105304	Cap, Sleeve
39	819111016	Washer 11/32 x 5/8 x 16 Ga.
40	532110452	Pushnut
41	531005026	V-Belt
42	819171616	Washer 11/32 x 5/8 16 Ga.
43	532124660	Retainer, Spring
44	532140608	Keeper, L. H.
45	532110485	Bearing
46	532128774	Housing Mandrel Vented
47	532129895	Bearing
48	532137645	Shaft, Mandrel (Includes Key # 47)
49	532133943	Washer Hardened
62	532153390	Washer, Felt
--	532130794	Mandrel Asm. (Includes Key No.'s 22-23, 26, 29 and 45-48)
--	532156866	Deck, Mower Complete (Std. Deck - Order CE certification components separately, Kit No. EC36)

HARDWARE SHOWN LARGER FOR EASIER IDENTIFICATION

P

ELECTRICAL



P

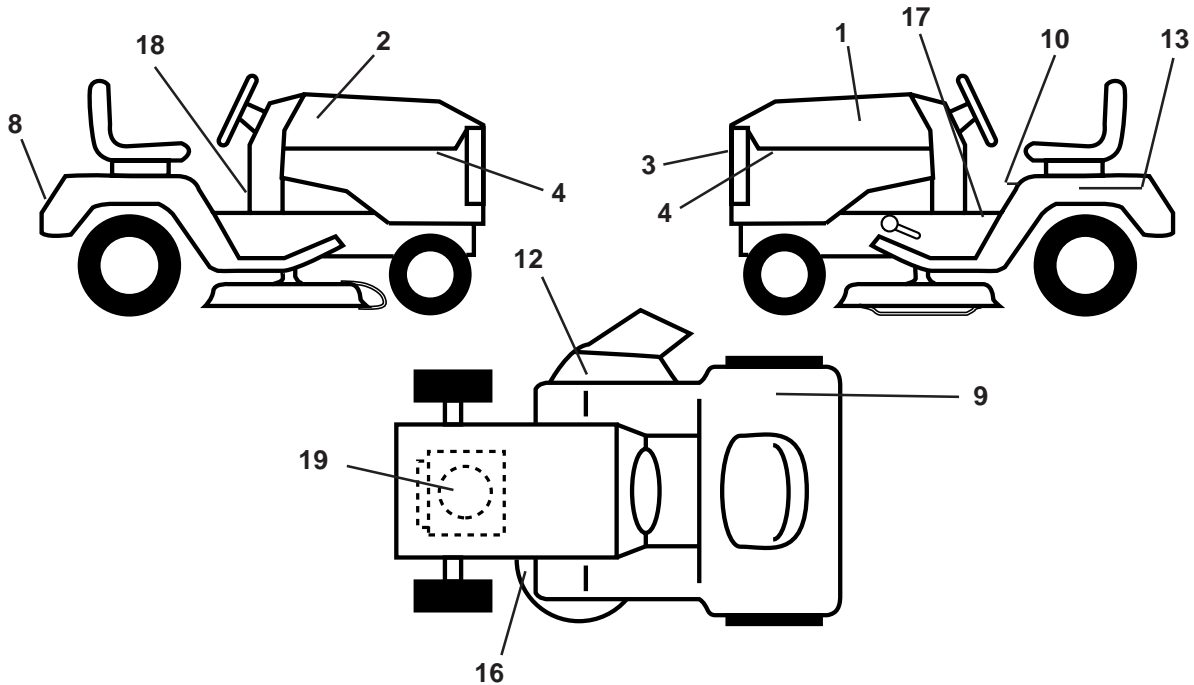
ELECTRICAL

KEY NO.	PART NO.	DESCRIPTION
1	873640400	Nut, Hex Keps 1/4-20
2	532108423	Assembly, Cable
3	532144924	Battery
4	532069180	Nut, Lock #10-24 Unc
5	532108236	Bracket, Switch
6	532109553	Switch, Interlock (4-terminal)
7	532146374	Keeper, Actuator
8	817021008	Screw, Hex Hd. Tap #10-24 x 1/2
9	532140401	Key, Molded
10	532141226	Cover, Key Ignition
11	532140400	Nut, Ignition
12	532144921	Switch, Ignition
15	532121305	Switch, Plunger
17	532108824	Fuse
18	532128353	Assembly, Cable
19	532146063	Harness, Ignition
20	873350400	Nut, Hex Jam 1/4-20
21	810090400	Washer, Lock 1/4
22	871110408	Bolt, Fin. Hex 1/4-20 UNC x 1/2 Gr. 5
24	532131563	Cover, Terminal
25	532145673	Solenoid
26	874760412	Bolt, Hex Hd. 1/4-20 UNC x 3/4
27	819091016	Washer 9/32 x 5/8 x 16
28	810040400	Washer, Lock 1/4
30	873220400	Nut, Fin. Hex 1/4-20 UNC
36	811150400	Washer Lock Inter. Tooth 1/4
39	532141735	Bracket Switch Clutch
55	817490508	Screw Thdrol 5/16 - 18 x 1/2
70	532140413	Harness Engine

HARDWARE SHOWN LARGER FOR EASIER IDENTIFICATION

R

DECALS



KEY NO.	PART NO.	DESCRIPTION
1	532156999	Decal, Hood, L. H., Husqv.
2	532156998	Decal, Hood, R. H., Husqv.
3	532150616 *	Decal, Grill
4	532159713 *	Decal, Pnl Side
8	532150617 *	Decal, Logo, Fender
9	532126187 *	Decal, Certification, (FrenchDutch)
10	532145498 *	Decal Caution Fender
12	532145494 *	Decal, Mower, Cutfinger

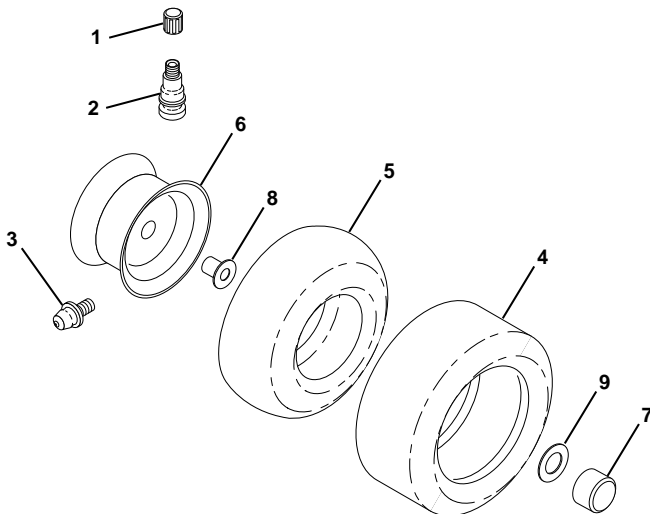
KEY NO.	PART NO.	DESCRIPTION
13	532145005 *	Decal, Caution, Battery
16	532136830 *	Decal, V-Belt Sch.
17	532159739 *	Decal, Brake/Clutch Sym
18	532145437 *	Decal, Europ. Stand. CE Tractors
19	532272430 *	Decal, Engine
--	532138311 *	Decal, Handle, Lift
--	532157036	Manual, Operator's (Scan.)
--	532157035	Manual, Operator's (Euro.)

Available accessories not included with tractor:

- MK360 Mulch Kit
- C36 Bagger
- CESS36 Bagger

*NOTE: Not in stock, but can be delivered directly from factory.

WHEELS & TIRES



KEY NO.	PART NO.	DESCRIPTION
1	532059192	Cap, Valve
2	532065139	Stem, Valve
3	532124957	Fitting, Grease\ (Front Wheels Only)
4	532137422	Tire, Front
4	532132703	Tire, Rear
5	532059904	Tube, Front (Optional Service Items Only)
5	532008134	Tube, Rear (Optional Service Items Only)
6	532142039	Rim, Front
6	532141652	Rim, Rear
7	532104757	Cap Axle
8	532124959	Bearing Flange
9	532121748	Washer 25/32 x 1-5/8 x 16 Ga.