

# CRT 51



**1.1998**

**Spare parts**

**Ersatzteile**

**Pièces détachées**

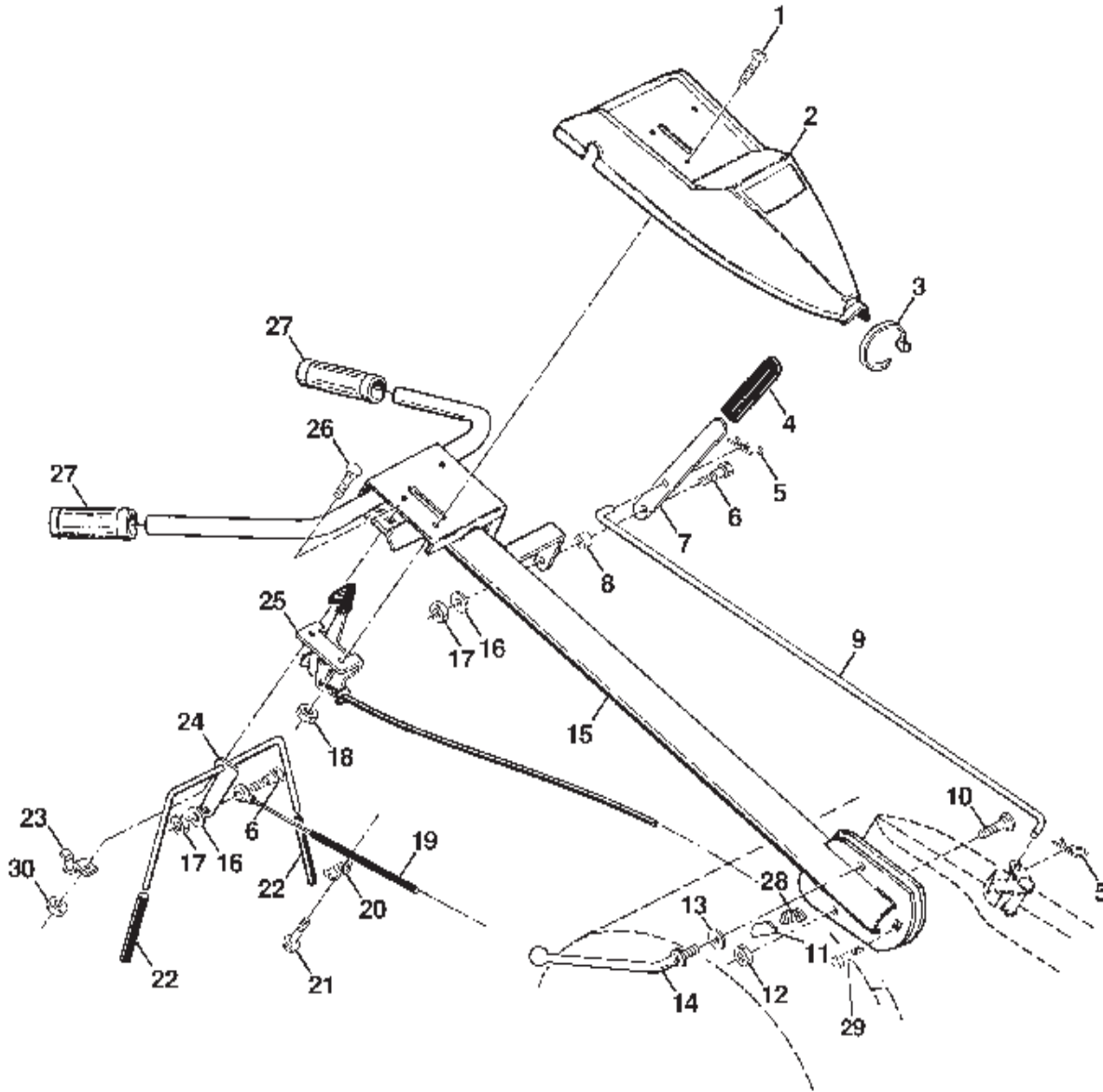
**Reserve onderdelen**

**Repuestos**

**Reservdelar**

# A

## HANDLE ASSEMBLY



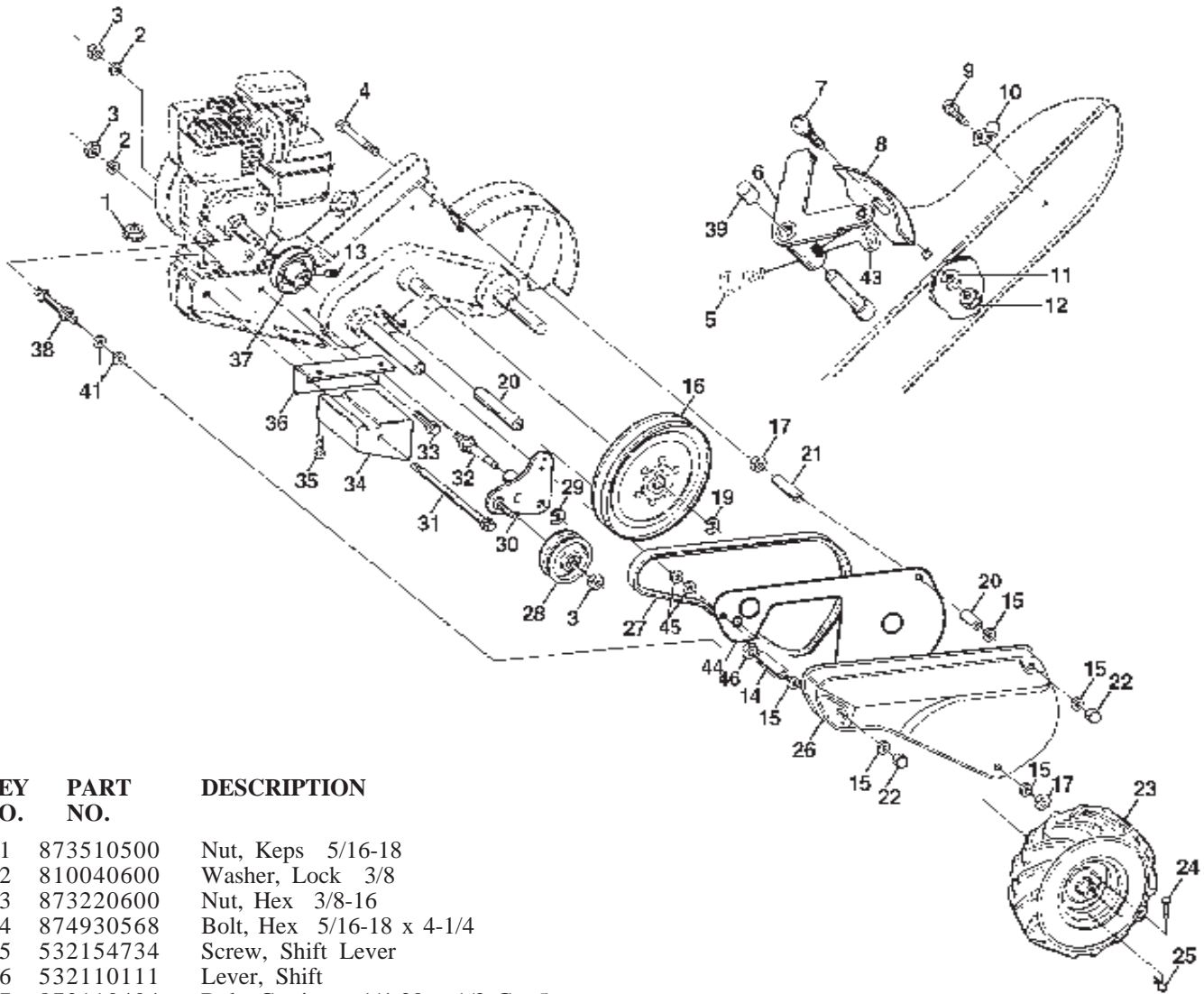
| KEY NO. | PART NO.  | DESCRIPTION                       |
|---------|-----------|-----------------------------------|
| 1       | 871191008 | Screw, Truss Hd. #10-24 UNC x 1/2 |
| 2       | 532126956 | Panel, Control                    |
| 3       | 532104164 | Tie, Cable                        |
| 4       | 532124797 | Grip, Handle                      |
| 5       | 532124788 | Clip, Hairpin                     |
| 6       | 532081328 | Bolt, Shoulder                    |
| 7       | 532109335 | Handle, Shift                     |
| 8       | 532109313 | Grommet, Rubber                   |
| 9       | 532109337 | Rod, Shift                        |
| 10      | 872110608 | Bolt, Carriage 3/8-16 x 1 Gr. 5   |
| 11      | 532109229 | Lock, Handle                      |
| 12      | 873930600 | Nut, Centerlock 3/8-16            |
| 13      | 819131611 | Washer 13/32 x 1 x 11 Ga.         |
| 14      | 532109228 | Lever, Lock, Handle               |
| 15      | 532151596 | Handle                            |
| 16      | 810040400 | Washer, Lock 1/4                  |

| KEY NO. | PART NO.  | DESCRIPTION                                |
|---------|-----------|--|
| 17      | 873220400 | Nut, Hex 1/4-20                            |
| 18      | 873731000 | Nut, Keps #10-24 UNC                       |
| 19      | 532159231 | Cable, Clutch                              |
| 20      | 532009484 | Clip                                       |
| 21      | 532086777 | Screw, Hex Washer Hd. Slotted #10-24 x 1/2 |
| 22      | 532102604 | Grip, Bar, Control                         |
| 23      | 532102744 | Clamp, Bar, Control                        |
| 24      | 532159228 | Bar Assembly, Control                      |
| 25      | 532127012 | Control, Throttle                          |
| 26      | 872140404 | Bolt, Carriage 1/4-20 UNC x 1/2            |
| 27      | 532009266 | Grip, Handle                               |
| 28      | 873510400 | Nut, Keps Hex 1/4-20                       |
| 31      | 532150696 | Bolt, Pivot                                |

**NOTE:** All component dimensions given in U.S. inches.  
1 inch = 25.4 mm

# B

## MAINFRAME, LEFT SIDE



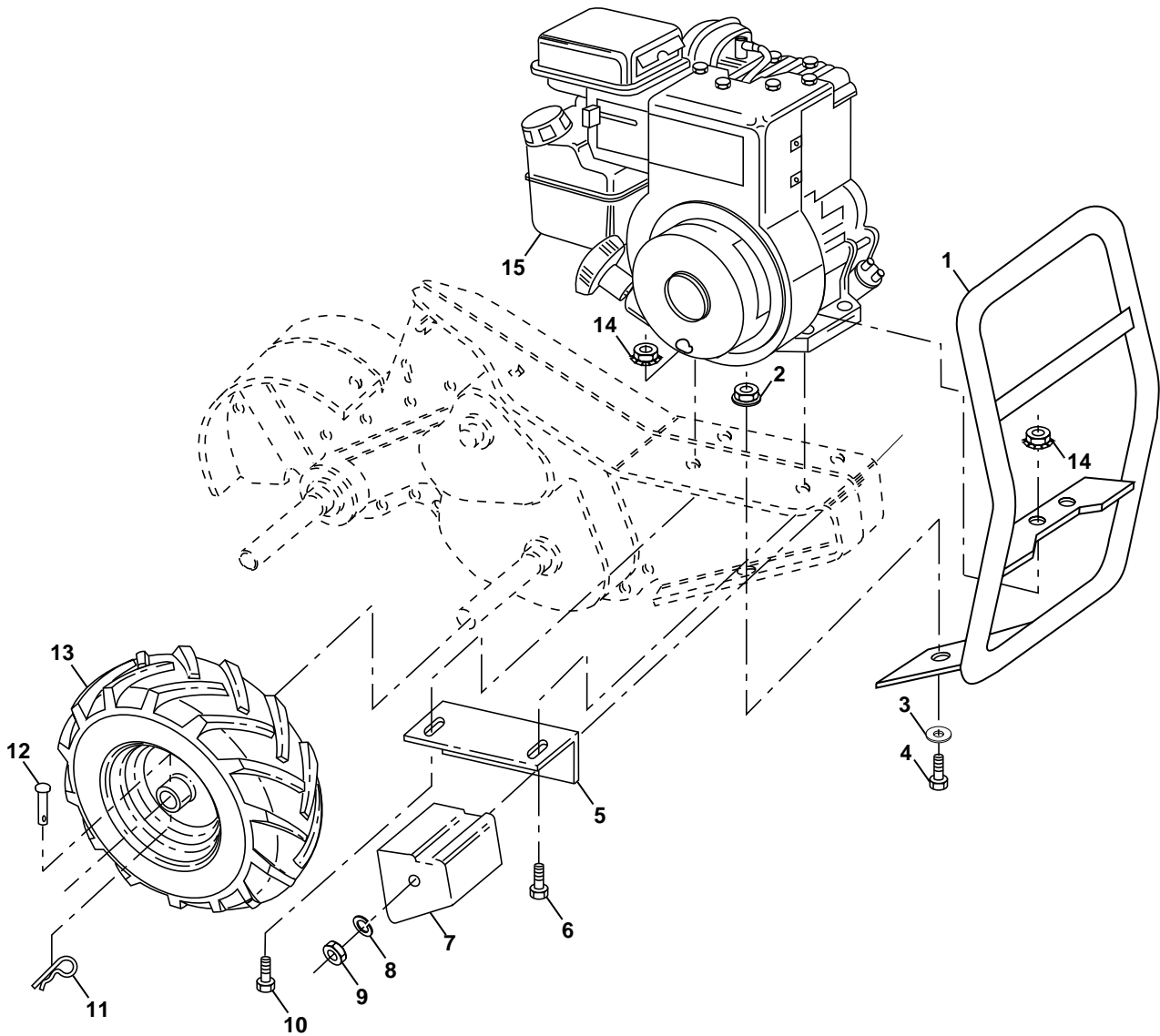
| KEY NO. | PART NO.  | DESCRIPTION                                   |
|---------|-----------|---|
| 1       | 873510500 | Nut, Keps 5/16-18                             |
| 2       | 810040600 | Washer, Lock 3/8                              |
| 3       | 873220600 | Nut, Hex 3/8-16                               |
| 4       | 874930568 | Bolt, Hex 5/16-18 x 4-1/4                     |
| 5       | 532154734 | Screw, Shift Lever                            |
| 6       | 532110111 | Lever, Shift                                  |
| 7       | 872110404 | Bolt, Carriage 1/4-20 x 1/2 Gr. 5             |
| 8       | 532008700 | Plate, Shift Indicator                        |
| 9       | 532086777 | Screw, Hex, Washer Head, Slotted #10-24 x 1/2 |
| 10      | 532009484 | Clip  |
| 11      | 810040400 | Washer, Lock 1/4                              |
| 12      | 873220400 | Nut, Hex 1/4-20                               |
| 13      | 823230506 | Screw, Set, Hex 5/16-18 x 3/8                 |
| 14      | 532156117 | Spacer, Split 0.327 x 0.42 x 1.220            |
| 15      | 819111116 | Washer 11/32 x 11/16 x 16 Ga.                 |
| 16      | 532145102 | Sheave, Transmission                          |
| 17      | 873220500 | Nut, Hex 5/16-18                              |
| 19      | 812000028 | Ring, Retainer                                |
| 20      | 532156115 | Spacer, Split 0.327 x 0.42 x 1.44             |
| 21      | 532156116 | Spacer, Split 0.327 x 0.42 x 1.875            |
| 22      | 532104214 | Nut, Cap 5/16-18                              |
| 23      | 532005015 | Tire  |
|         | 532124366 | Rim   |
|         | 532124718 | Tire Valve                                    |
| 24      | 532126875 | Rivet, Drilled                                |
| 25      | 532124788 | Clip, Hairpin                                 |
| 26      | 532163080 | Guard, Belt                                   |
| 27      | 532132801 | Belt, V                                       |
| 28      | 532104679 | Pulley, Idler                                 |

| KEY NO. | PART NO.  | DESCRIPTION                   |
|---------|-----------|-------------------------------|
| 29      | 812000032 | Ring, Klip                    |
| 30      | 532159229 | Bracket, Idler                |
| 31      | 532102384 | Bolt, Hex 5/16-16 x 12        |
| 32      | 532102141 | Shaft, Idler Arm              |
| 33      | 874760616 | Bolt, Hex 3/8-16 x 1          |
| 34      | 532102383 | Counterweight, L. H.          |
| 35      | 874760532 | Bolt, Hex 5/16-18 x 2         |
| 36      | 532102331 | Bracket, Reinforcement, L. H. |
| 37      | 532130812 | Sheave, Engine                |
| 38      | 532145822 | Stud, Guard Belt              |
| 39      | 532140062 | Cap Plunger                   |
| 41      | 819111610 | Washer 11/32 x 1 x 10 Ga.     |
| 42      | 532151004 | Spacer                        |
| 43      | 532069180 | Nut, Lock #10-24              |
| 44      | 532156068 | Shield, Guard Belt            |
| 45      | 819091210 | Washer 9/32 x 3/4 x 10 Ga.    |
| 46      | 873800400 | Nut, Lock 1/4-20              |

**NOTE:** All component dimensions given in U.S. inches.  
1 inch = 25.4 mm

# C

## MAINFRAME, RIGHT SIDE



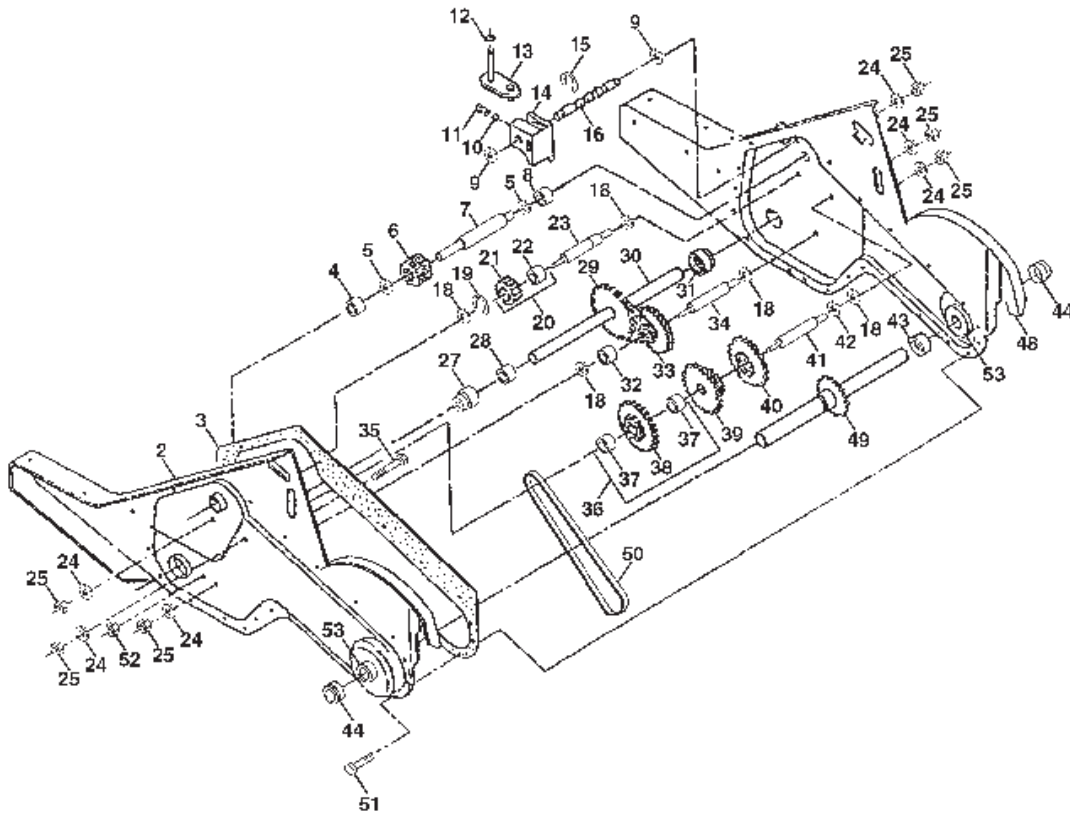
| KEY NO. | PART NO.  | DESCRIPTION                   |
|---------|-----------|-------------------------------|
| 1       | 532162385 | Bumper                        |
| 2       | 873970500 | Nut, Lock Hex Flange          |
| 3       | 819111116 | Washer 11/32 x 11/16 x 16 Ga. |
| 4       | 874760512 | Bolt Hex Hd 5/16-18 x 3/4     |
| 5       | 532102332 | Bracket, Reinforcement        |
| 6       | 874760532 | Bolt, Hex 5/16-18 x 2         |
| 7       | 532102173 | Counter Weight, R.H.          |
| 8       | 810040600 | Washer, Lock 3/8              |
| 9       | 873220600 | Nut, Hex 3/8-16               |
| 10      | 874760524 | Bolt, Hex 5/16-18 x 1-1/2     |

| KEY NO. | PART NO.  | DESCRIPTION                                |
|---------|-----------|--|
| 11      | 532124788 | Clip, Hairpin                              |
| 12      | 532126875 | Rivet, Drilled                             |
| 13      | 532005015 | Tire                                       |
|         | 532124366 | Rim  |
|         | 532124718 | Tire Valve                                 |
| 14      | 873510500 | Nut, Keps 5/16-18                          |
| 15      | -----     | Engine, Briggs & Stratton Model No. 137202 |

**NOTE:** All component dimensions given in U.S.inches.  
1 inch = 25.4 mm

# F

## TRANSMISSION

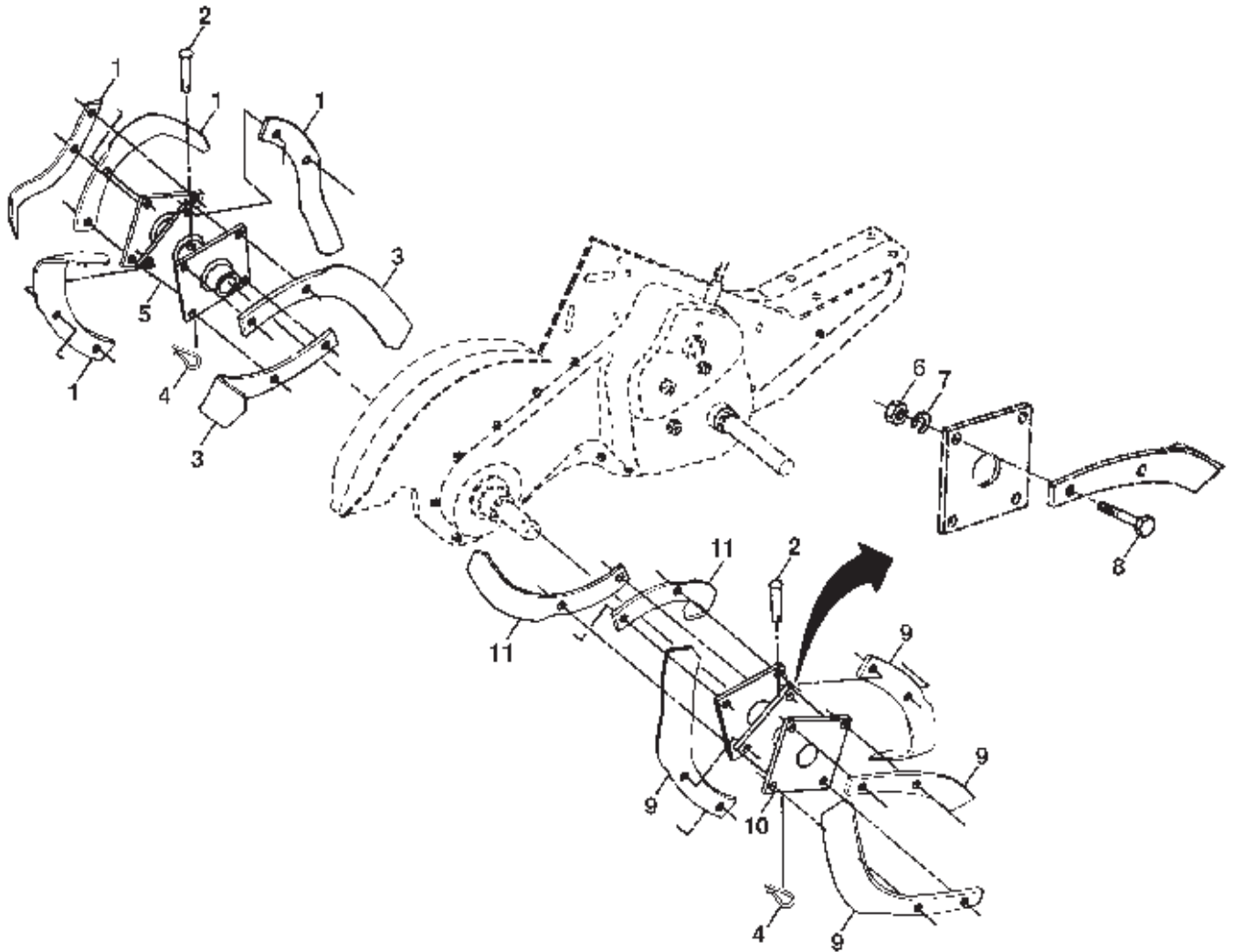


| KEY NO. | PART NO.  | DESCRIPTION  | KEY NO. | PART NO.  | DESCRIPTION  |
|---------|-----------|--|---------|-----------|--|
| 1       | 532154354 | Transmission Assembly<br>(Includes Key Nos. 2-53)              | 27      | 532143009 | Bearing, Shaft, Ground Drive L.H.                            |
| 2       | 532150698 | Gearcase, L.H. w/Bearing<br>(Includes Key No. 4)               | 28      | 532106390 | Spacer 0.765 x 1.125 x 1.23                                  |
| 3       | 532106211 | Gasket, Gearcase   | 29      | 532102134 | Chain #35-50 Pitch   |
| 4       | 532005020 | Bearing, Needle  | 30      | 532150737 | Ground Shaft Assembly  |
| 5       | 532001370 | Washer, Thrust 5/8 x 1.10 x 1/32                               | 31      | 532143008 | Bearing, Shaft, Ground Drive R.H.                            |
| 6       | 532137335 | Pinion, Input  | 32      | 532106388 | Spacer 0.70 x 1.00 x 1.150                                   |
| 7       | 532145101 | Shaft, Input   | 33      | 532102121 | Sprocket and Gear Assembly                                   |
| 8       | 532124792 | Bearing, Needle  | 34      | 532102112 | Shaft, Reduction (2nd)                                       |
| 9       | 532154467 | Washer, Seal   | 35      | 532102101 | Screw, Whiz, Lock 5/16-18 x 3-1/2                            |
| 10      | 532124697 | Ball, Steel  | 36      | 532154355 | Sprocket Assembly w/Bearing<br>(Includes Key Nos. 37 and 38) |
| 11      | 532100371 | Spring, Shift, Fork  | 37      | 532124791 | Bearing, Needle  |
| 12      | 532106160 | O-Ring   | 38      | 532154356 | Sprocket, Tine   |
| 13      | 532142145 | Bracket, Asm. Shift CRT  | 39      | 532105345 | Gear, Cluster, Red 1st & 2nd                                 |
| 14      | 532008353 | Fork, Shift  | 40      | 532105346 | Gear, Reverse  |
| 15      | 812000039 | Ring, Klip   | 41      | 532008358 | Shaft, Reduction (1st)                                       |
| 16      | 532154466 | Shaft, Shift   | 42      | 532004220 | Washer, Thrust   |
| 18      | 532004358 | Washer   | 43      | 532106146 | Spacer 1.01 x 1.75 x 0.760                                   |
| 19      | 812000040 | Ring, Klip   | 44      | 532155236 | Seal, Asm Oil  |
| 20      | 532102114 | Gear, Assembly, Reverse Idler<br>(Includes Key Nos. 21 and 22) | 48      | 532150700 | Gearcase, R.H. w/Bearing<br>(Includes Key No. 8)             |
| 21      | 532102115 | Gear, Reverse Idler  | 49      | 532132688 | Shaft, Tine  |
| 22      | 532006803 | Bearing, Needle  | 50      | 532106147 | Chain, Roller #50-50 Pitch                                   |
| 23      | 532102111 | Shaft, Reverse Idler   | 51      | 817720408 | Screw,Thd Cut 1/4-20 x 1/2                                   |
| 24      | 810040700 | Washer, Lock 7/16  | 52      | 873220500 | Nut, Hex 5/16-18   |
| 25      | 873610700 | Nut, Hex 7/16-20   | 53      | 532122204 | Kit Bearing  |
|         |           |  | --      | 532006066 | Grease, Plastilube #1  |

**NOTE:** All component dimensions given in U.S. inches.  
1 inch = 25.4 mm

# E

## TINE ASSEMBLY



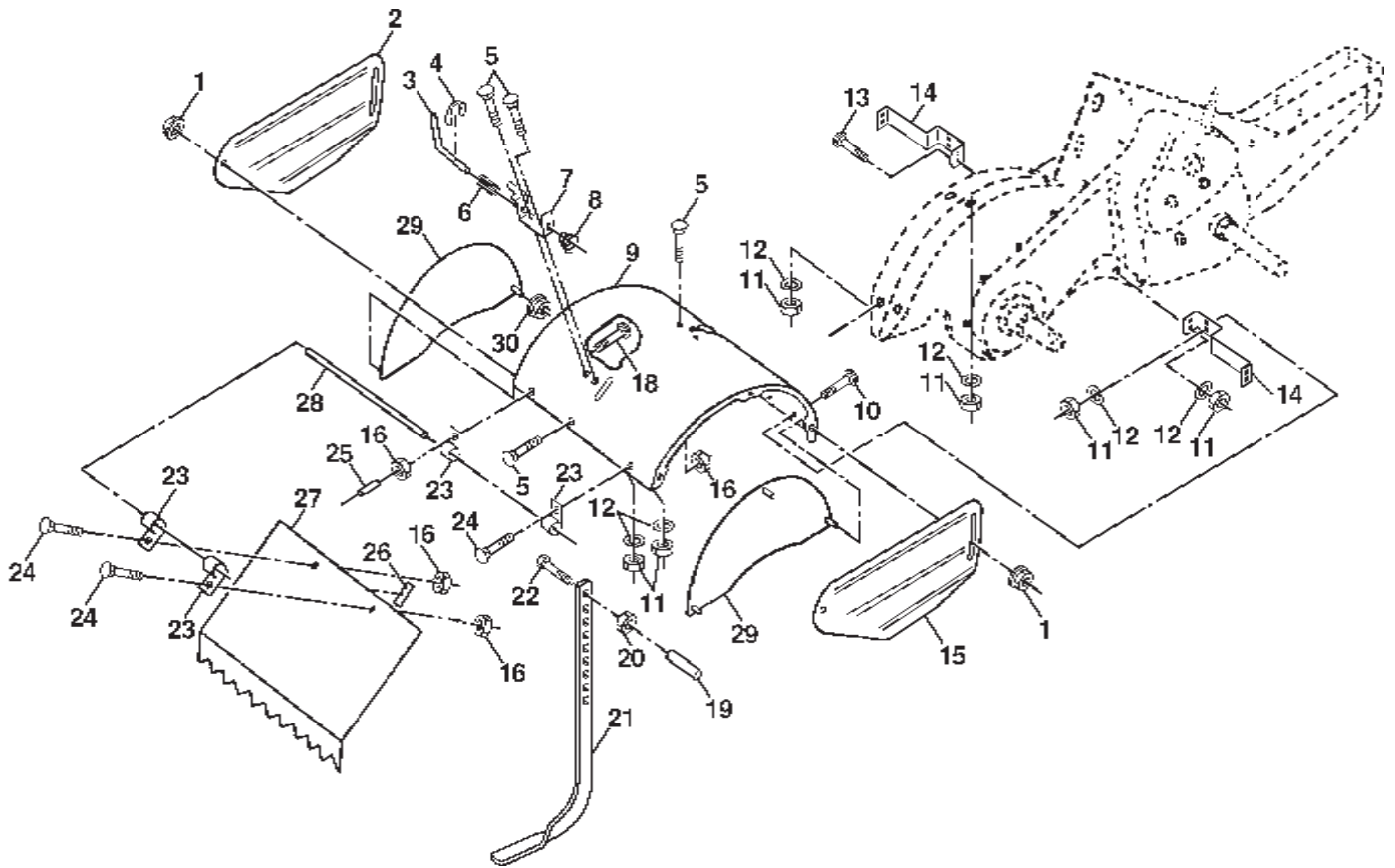
| KEY NO. | PART NO.  | DESCRIPTION                   |
|---------|-----------|-------------------------------|
| 1       | 532004459 | Tine, Outer, L.H.             |
| 2       | 532132673 | Clevis Pin                    |
| 3       | 532006554 | Tine, Inner, L.H.             |
| 4       | 532124660 | Clip, Hairpin                 |
| 5       | 532132727 | Assembly, Hub and Plate, L.H. |
| 6       | 873610600 | Nut, Hex 3/8-24               |
| 7       | 810040600 | Washer, Lock 3/8              |

| KEY NO. | PART NO.  | DESCRIPTION                   |
|---------|-----------|-------------------------------|
| 8       | 874610616 | Bolt, Hex 3/8-24 x 1          |
| 9       | 532004460 | Tine, Outer, R.H.             |
| 10      | 532132728 | Assembly, Hub and Plate, R.H. |
| 11      | 532006555 | Tine, Inner, R.H.             |

**NOTE:** All component dimensions given in U.S. inches.  
1 inch = 25.4 mm

# D

## TINE SHIELD

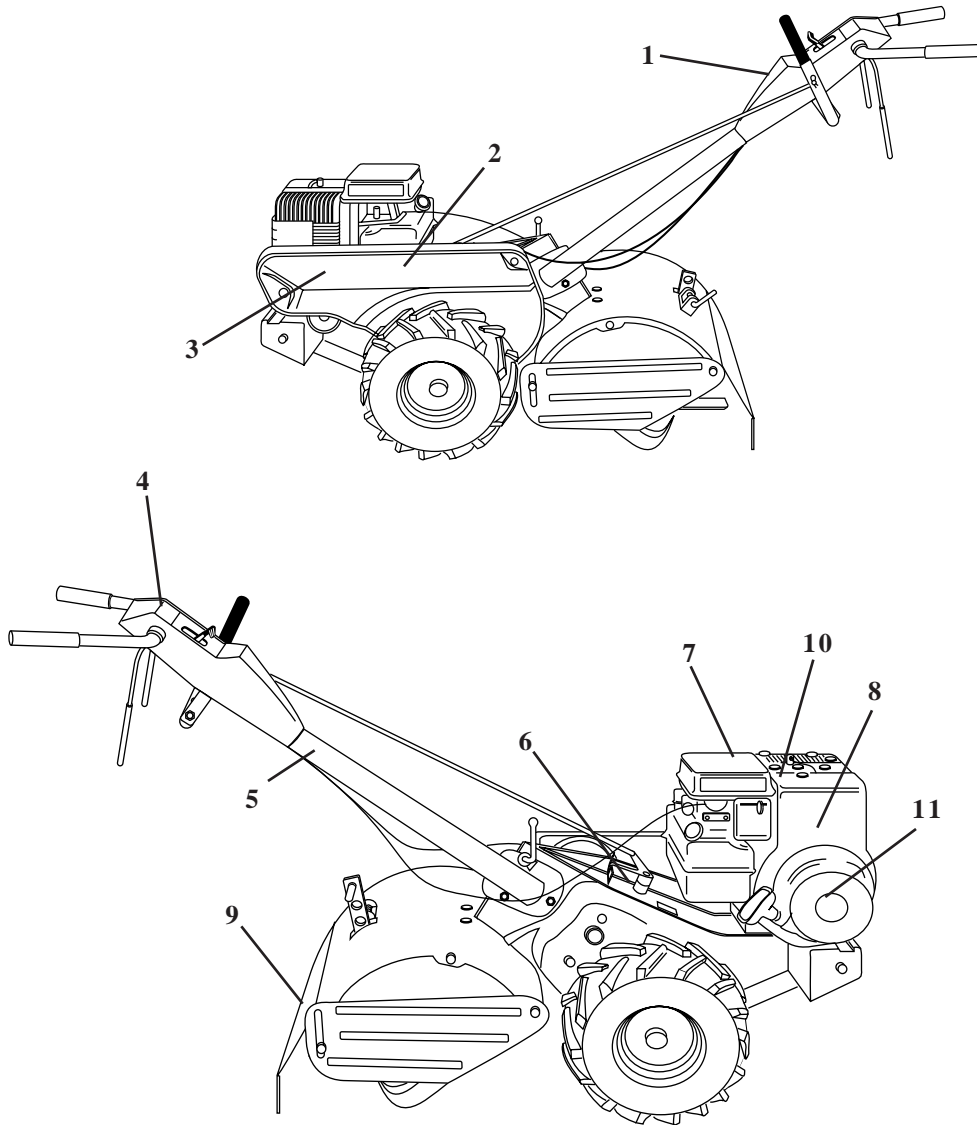


| KEY NO. | PART NO.  | DESCRIPTION                       | KEY NO. | PART NO.  | DESCRIPTION                         |
|---------|-----------|-----------------------------------|---------|-----------|-------------------------------------|
| 1       | 898000129 | Nut, Flange 5/16-18               | 16      | 873510400 | Nut, Keps Hex 1/4-20                |
| 2       | 532162952 | Shield, Side, Outer L. H.         | 18      | 872040410 | Bolt, Carriage 1/4-20 x 1-1/4 Gr. 5 |
| 3       | 532008393 | Pin, Stake, Depth                 | 19      | 532102701 | Grip                                |
| 4       | 812000036 | Ring, Klip                        | 20      | 873220600 | Nut, Hex 3/8-16                     |
| 5       | 872140506 | Bolt, Carriage 5/16-18 x 3/4 Gr 5 | 21      | 532102156 | Stake, Depth                        |
| 6       | 532008394 | Spring                            | 22      | 874930632 | Bolt, Hex 3/8-16 x 2                |
| 7       | 532008392 | Bracket, Latch                    | 23      | 532004440 | Hinge                               |
| 8       | 532109230 | Spring, Depth Stake               | 24      | 872140404 | Bolt, Carriage 1/4-20 x 1/2 Gr. 5   |
| 9       | 532142292 | Shield, Tine                      | 25      | 532124717 | Cap, Vinyl                          |
| 10      | 872140508 | Bolt, Carriage 5/16-18 x 1        | 26      | 532109227 | Pad, Idler                          |
| 11      | 873220500 | Nut, Hex 5/16-18                  | 27      | 532125016 | Shield, Leveling                    |
| 12      | 810040500 | Washer, Lock 5/16                 | 28      | 532120588 | Pin, Hinge                          |
| 13      | 872110510 | Bolt, Carriage 5/16-18 x 1-1/4    | 29      | 532142293 | Shield, Side                        |
| 14      | 532124311 | Bracket, Shield Tine              | 30      | 873970500 | Nut, Lock Hx Flange                 |
| 15      | 532162953 | Shield, Side, Outer R.H.          |         |           |                                     |

**NOTE:** All component dimensions given in U.S. inches.  
1 inch = 25.4 mm

# G

## DECALS



| KEY NO. | PART NO.  | DESCRIPTION                    |
|---------|-----------|--------------------------------|
| 1       | 532155449 | Decal, Logo                    |
| 3       | 532155447 | Decal, Logo                    |
| 4       | 532155856 | Decal, Instruction, Tilling    |
| 5       | 532159877 | Decal, Hand Placement          |
| 6       | 532102180 | Decal, Shift Indicator         |
| 7       | 532110612 | Decal, Caution                 |
| 8       | 532271948 | Decal, Briggs & Stratton       |
| 9       | 532156129 | Decal, Warning, Rotating Tines |
| 10      | 532145437 | Decal, Europe Stand CE         |
| 11      | 532273721 | Decal, 5 HP                    |
| --      | 532159573 | Manual, Operator's (Euro.)     |
| --      | 532159574 | Manual, Operator's (Scan.)     |