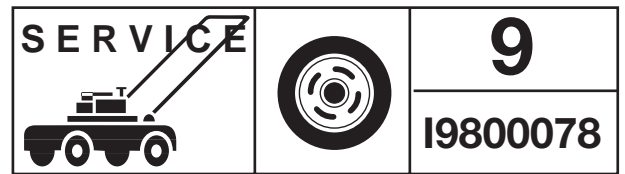


# Accessories



IPL, Spreader, 1998-09, Art.nr. 106 25 35-61

964 99 56-01, 45-01871

# Spreader

**Spare parts**

**Ersatzteile**

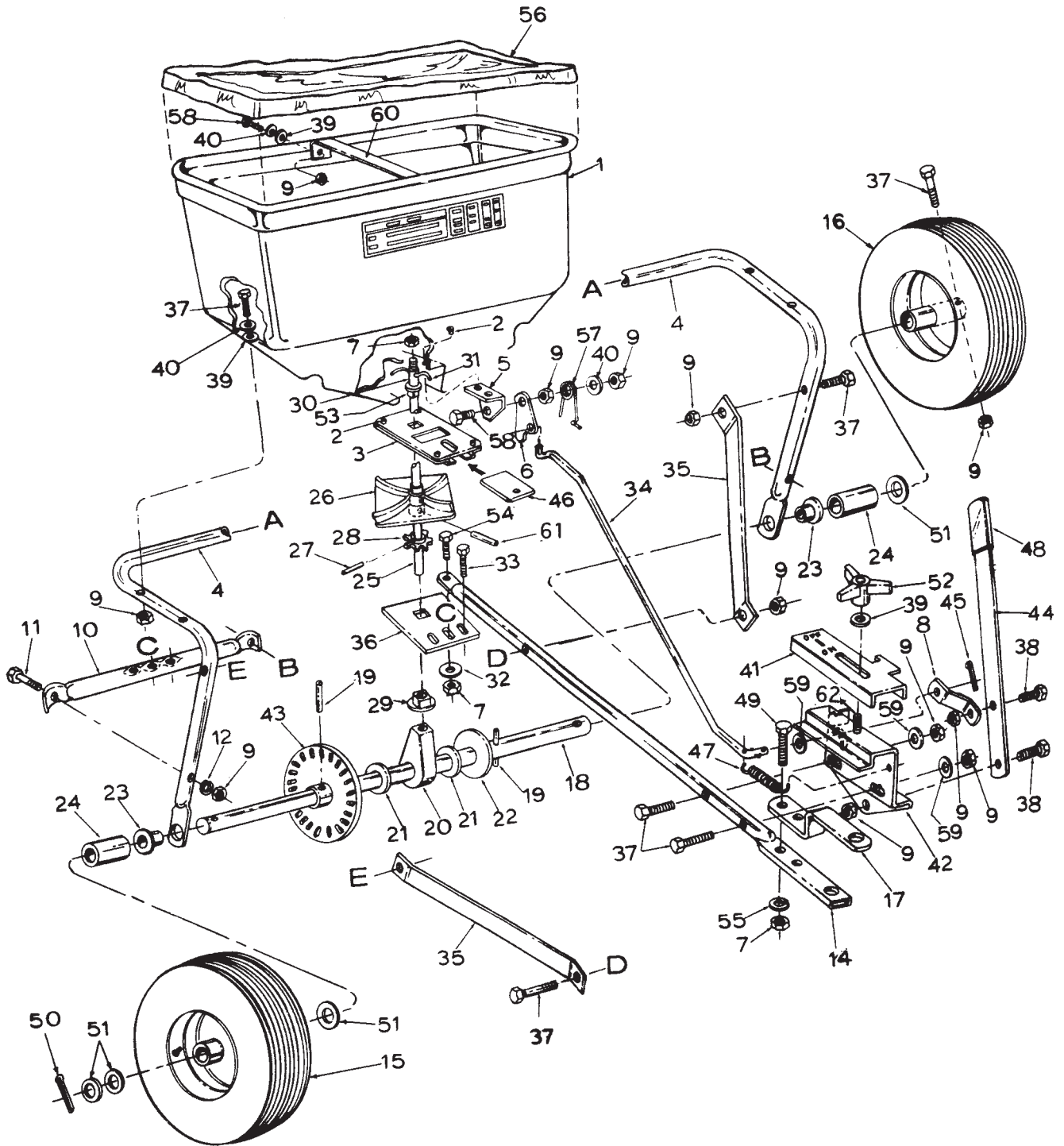
**Pièces détachées**

**Reserve onderdelen**

**Repuestos**

**Reservdelar**

# REPAIR PARTS FOR BROADCAST SPREADER MODEL 45-01871



## REPAIR PARTS FOR BROADCAST SPREADER MODEL NO 45-01871

### 25 531 00 46-11

|    |            |                             |
|----|------------|-----------------------------|
| 1  | 5310046-01 | Hopper                      |
| 2  | 5310027-66 | Rivt-Stainless              |
| 3  | 5310027-50 | Guide Closure Assy          |
| 4  | 5310046-02 | Tube Frame                  |
| 5  | 5310046-03 | Slite Gate Angle Bracket    |
| 6  | 5310046-04 | Slide Gate Bracket          |
| 7  | 8736806-00 | Hex Lock Nu 3/8-16 Thread   |
| 8  | 5310046-05 | Flow Control Link           |
| 9  | 5310076-29 | Nut                         |
| 10 | 5310027-70 | Srossover Tube              |
| 12 | 7351164-05 | Lock Easher 5/16"           |
| 13 | 5310076-16 | Hex Lock Nut 5/16-18 Thread |
| 14 | 5310046-06 | Hitch Tube                  |
| 15 | 5310046-07 | Wheel Assy 16"x4"           |
| 16 | 5310046-08 | Wheel Assy 16"x4" W/Hole    |
| 17 | 5310027-72 | Hitch Bracket               |
| 18 | 5310027-73 | Axle Shaft                  |
| 19 | 5310027-74 | Spring Pin 3/16" Dia X 125  |
| 20 | 5310027-53 | Axle Shaft Bushing          |
| 21 | 5066252-01 | Flat Washer 78" I.D         |
| 22 | 5310027-92 | Flat Washer 3/4"            |
| 23 | 5310046-09 | Tooth Lock Washer 5/16"     |
| 24 | 5310046-10 | Spacer                      |
| 26 | 5310027-55 | Speader Plate               |
| 27 | 5310027-77 | Spring Pin 1/8"x5/8"        |
| 28 | 5310046-12 | Sprocket 6 T                |
| 29 | 5310046-19 | Bushing 3/8"                |
| 30 | 5310046-13 | Agitator Sleeve             |
| 31 | 5310027-58 | Agitator Wire               |
| 32 | 7341172-01 | Washer 3/8" Standard        |
| 33 | 7252501-51 | Hex Bolt 3/8-16x1-3/4"      |
| 34 | 5310046-14 | Flow Control Rod            |
| 35 | 5310027-81 | Hitch Brace                 |
| 36 | 5310046-15 | Shaft Support Plate         |
| 37 | 7252379-51 | Hex Bolt 1/4-20x1-3/4"      |
| 38 | 7252368-71 | Hex Bolt                    |
| 39 | 5310027-83 | Nylon Washer                |
| 40 | 7341152-01 | Washer                      |
| 41 | 5310046-16 | Flow Control Gauge          |
| 42 | 5310046-17 | Flow Control Mount Bracket  |
| 43 | 5310027-59 | Gear Assy                   |
| 44 | 5310046-18 | Flow Control Arm            |
| 45 | 7216167-01 | Cotter Pin 3/32"x3/4        |
| 46 | 5310027-63 | Closure Plate               |
| 47 | 5310027-60 | Extension                   |
| 48 | 5310027-87 | Flow Control Arm Grip       |
| 49 | 5066261-01 | Hex Bolt 3/8-16x1-1/4"      |
| 50 | 7216185-01 | Cotter Pin 1/8" x1"         |
| 51 | 5310027-16 | Washer                      |
| 52 | 5310027-62 | Plastic Knob 1/4-20 Thread  |
| 53 | 5310046-19 | Delrin Bushing 3/8"         |
| 54 | 5310027-32 | Hex Bolt 3/8-16x2"          |
| 55 | 7351173-01 | Lockwasher                  |
| 56 | 5310027-90 | Vinyl Hopper Cover          |
| 57 | 5310046-20 | Torsion Spring              |
| 58 | 7252370-51 | Hex Bolt 1/4-20x3/4"        |
| 59 | 7341152-01 | Washer                      |
| 60 | 5310027-69 | Hopper Strap                |
| 61 | 5310027-77 | Spring Pin 1/8"x1"          |
| 62 | 5310076-37 | Carriage 1/4-20x3/4"        |