

LTHI30

Spare parts	Replaces	
Ersatzteile	Ersetzt	
Pièces détachées	Remplace	
Reserve onderdelen	Vervangt	
Repuestos	Reemplaza	
Reservdelar	Ersätter	106 24 12-64

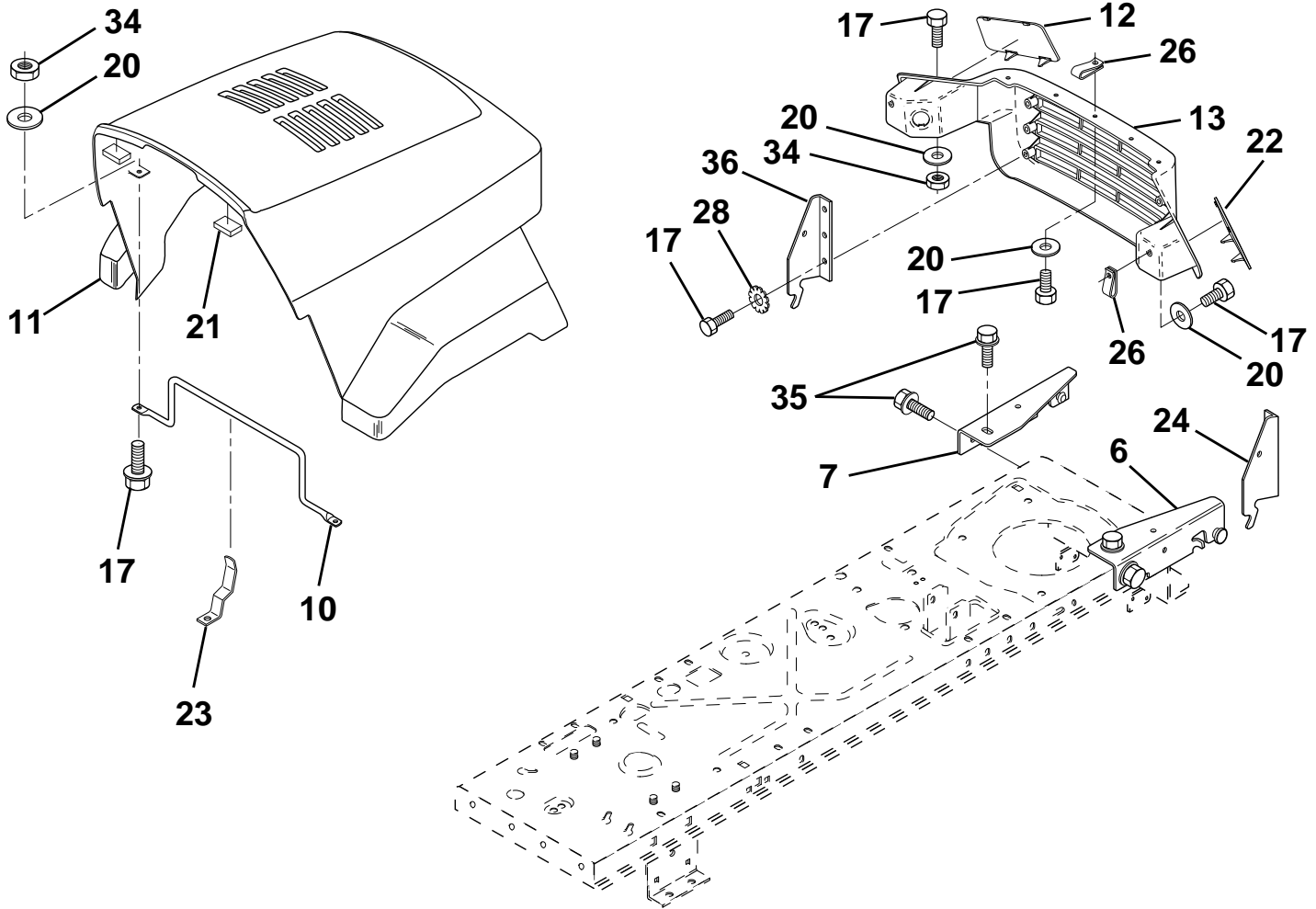
Page "Decals"

*Note: Not in stock, but can be delivered directly from factory.

REPAIR PARTS

TRACTOR - - MODEL NO. LTH130 (HE13H36F), PRODUCT NO. 954 82 00 -01

HOOD



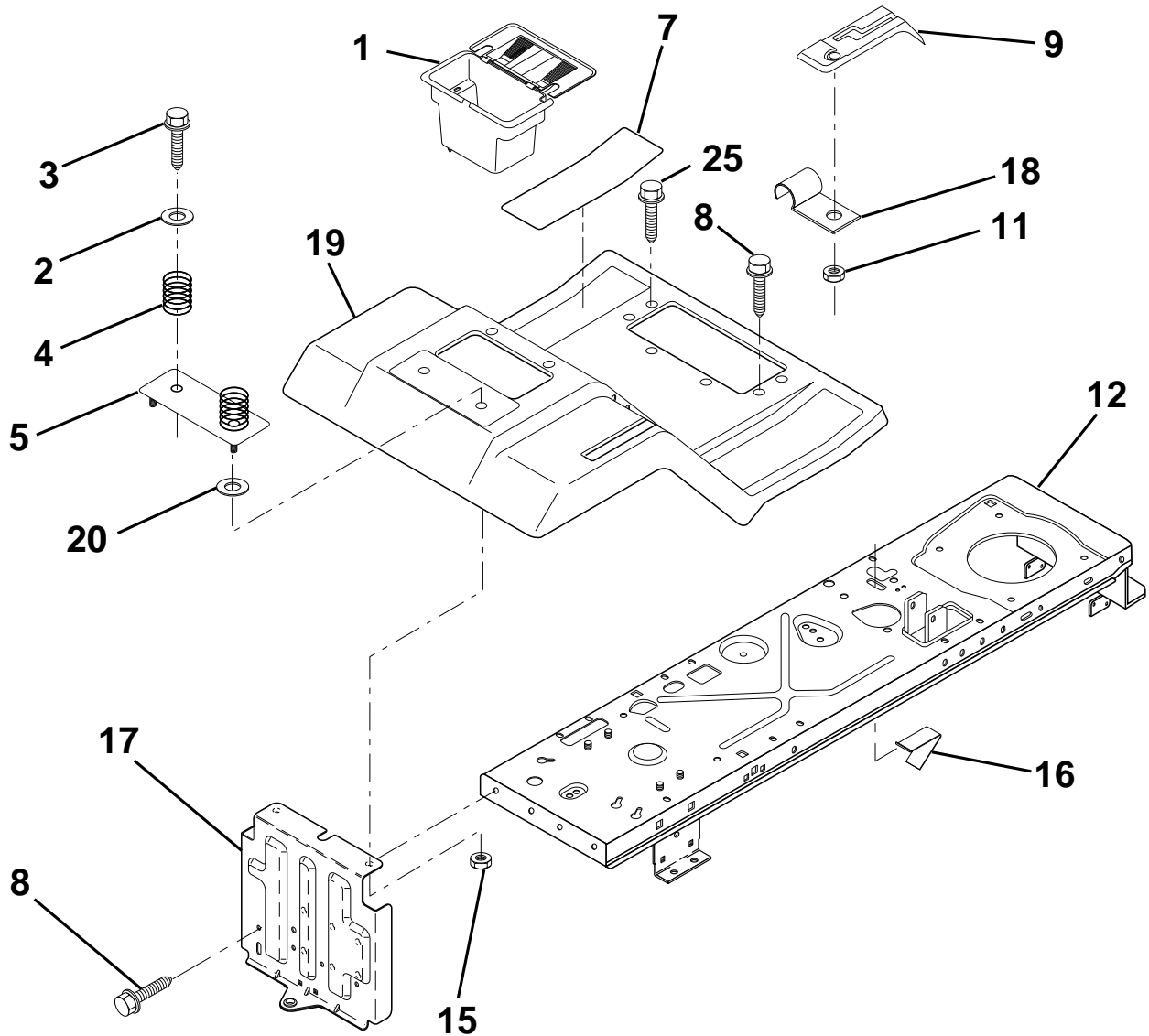
KEY NO.	PART NO.	DESCRIPTION
6	532140051	Bracket, Asm. Pivot Hood RH
7	532140050	Bracket, Asm. Pivot Hood LH
10	532130850	Brace, Hood
11	532165791	Hood
12	532165794	Lens, LH
13	532165792	Grille
17	874780410	Bolt, Fin Hex 1/4-20 x 5/8
20	819091016	Washer, Flat 1/4
21	532126938	Bumper, Hood

KEY NO.	PART NO.	DESCRIPTION
22	532165793	Lens, RH
23	532139969	Latch, Hood
24	532142873	Bracket, Pivot Hood RH
26	532052921	Clip, Tinnerman
28	811050400	Washer, Lock, Ext. Tooth
34	873680400	Nut, Crownlock 1/4-20
35	817490512	Screw, Thdrol 5/16-28 x 3/4
36	532128445	Bracket, Pivot Hood LH

HARDWARE SHOWN LARGER FOR EASIER IDENTIFICATION

REPAIR PARTS

TRACTOR -- MODEL NO. LTH130 (HE13H36F), PRODUCT NO. 954 82 00 -01
FENDER/CHASSIS



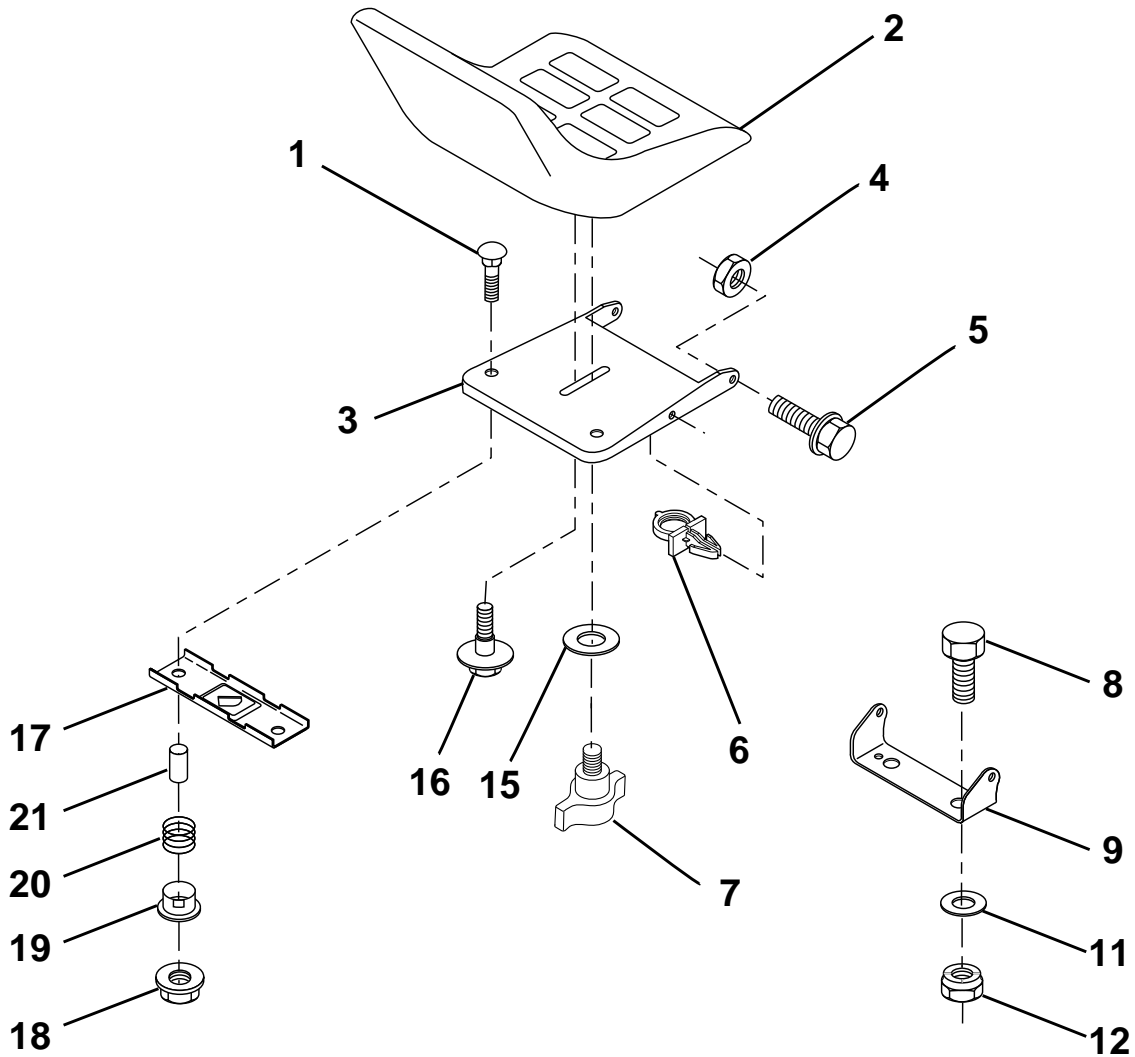
KEY NO.	PART NO.	DESCRIPTION
1	532156417	Case, Battery
2	819132012	Washer 13/32 x 1-1/4 x 12 Ga.
3	817490612	Screw, Hex Wsh. Thrdrol 3/8-16 x 3/4
4	532124181	Spring, Compression, Seat
5	532125142	Plate, Asm. Battery
7	532126700	Pad, Footrest
8	817490512	Screw, Thdrol 5/16-18 x 3/4
9	532166614	Console, Shift Control
11	532124346	Nut, Self-Threading, Wsher Hd 3/16

KEY NO.	PART NO.	DESCRIPTION
12	532145190	Assembly, Frame
15	873640400	Nut, Keps 1/4-20 UNC
16	532141736	Switch, Actuator
17	532140782	Drawbar
18	532126470	Clip, Insulated
19	532141393	Fender/Footrest
20	819091413	Washer 9/32 x 7/8 x 13 Ga.
25	817190516	Screw, Hex. S.T. 5/16-18 UNC x 1

HARDWARE SHOWN LARGER FOR EASIER IDENTIFICATION

REPAIR PARTS

TRACTOR - - MODEL NO. LTH130 (HE13H36F), PRODUCT NO. 954 82 00 -01
SEAT



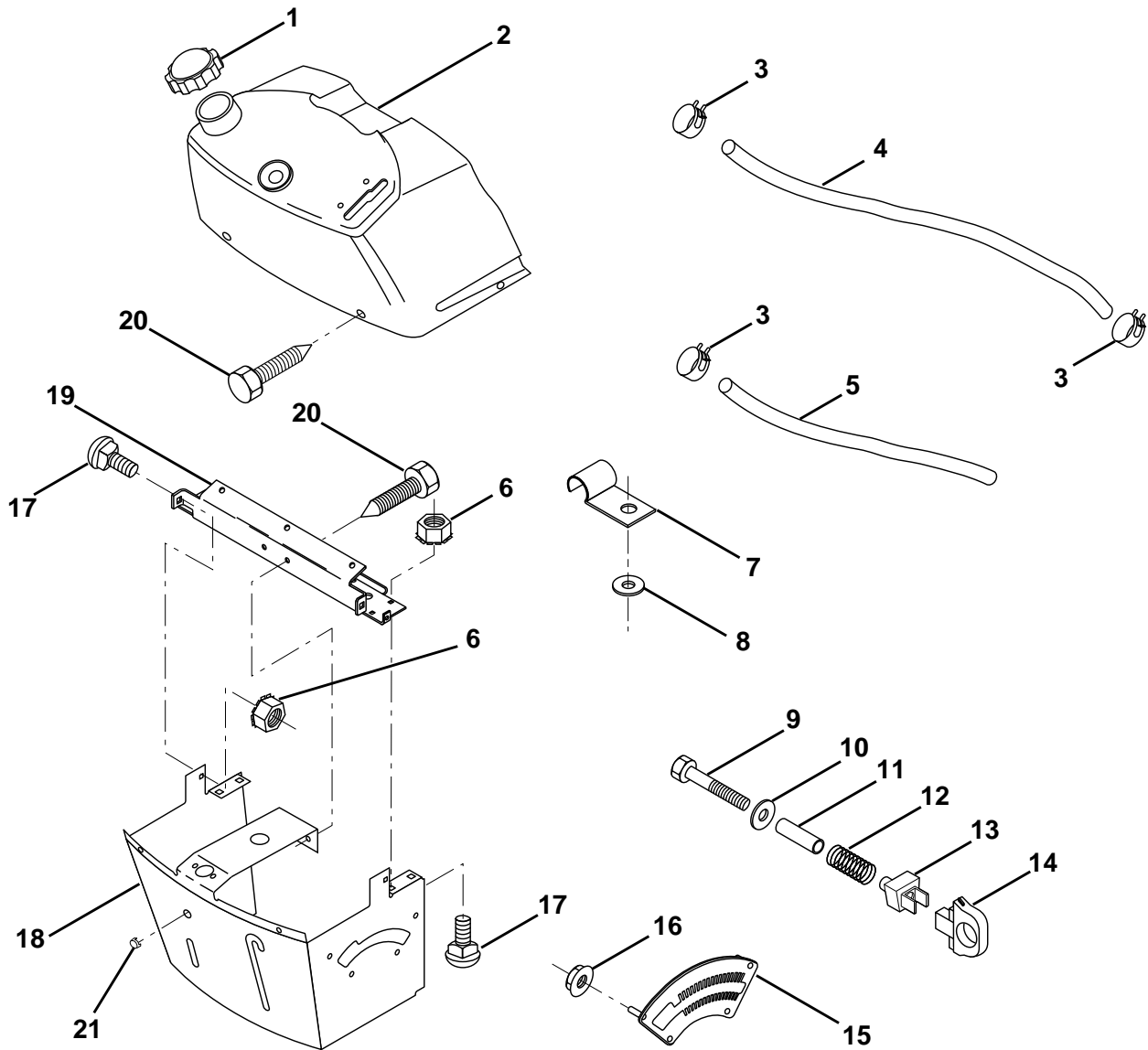
KEY NO.	PART NO.	DESCRIPTION	KEY NO.	PART NO.	DESCRIPTION
1	872050412	Bolt, Carriage 1/4-20 x 1-1/2	11	819133210	Washer 12/32 x 2 x 10 Ga.
2	532140838	Seat	12	873800600	Nut, Lock Hex w/Wsh 3/8-16
3	532155925	Pan, Seat	15	819171912	Washer, 17/32 x 1-3/16 x 12 Ga.
4	873800500	Nut, Lock, Hex. w/Ins. 5/16-18	16	532127018	Bolt, Shoulder
5	532153236	Bolt, Shoulder 5/16-18 UNC	17	532121246	Bracket, Switch Mounting
6	532145006	Clip, Push-in, Hinged	18	532123976	Nut, Lock, Hex. Large Flange
7	532120068	Knob, Seat	19	532121248	Bushing, Snap
8	874760616	Bolt, Fin. Hex. 3/8-16 UNC x 1	20	532121250	Spring, Compression
9	532140551	Bracket, Pivot Seat	21	532134300	Spacer, Split 28 Id. x .88 Lg.

HARDWARE SHOWN LARGER FOR EASIER IDENTIFICATION

REPAIR PARTS

TRACTOR -- MODEL NO. LTH130 (HE13H36F), PRODUCT NO. 954 82 00 -01

DASH

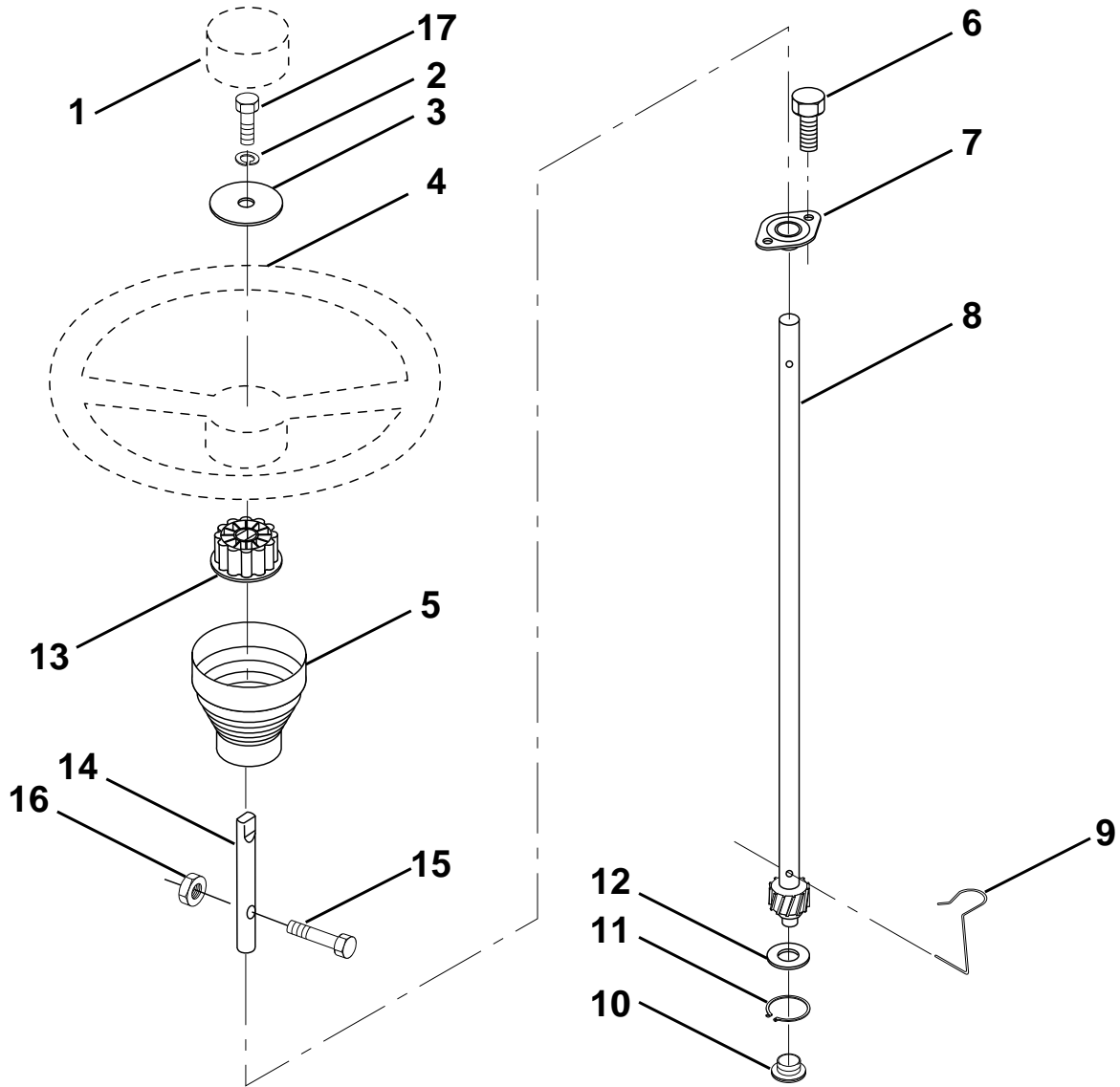


KEY NO.	PART NO.	DESCRIPTION	KEY NO.	PART NO.	DESCRIPTION
1	532142187	Cap, Fuel	11	532121249	Spacer, Split
2	532138395	Assembly, Dash & Fuel Tank	12	532003720	Spring
3	532123487	Clamp, Hose	13	532126450	Clip, Height Adjustment
4	532008544	Line, Fuel	14	532126115	Knob, Height Stop
5	532008548	Line, Fuel	15	532122023	Adjustment, Quadrant Height
6	873640400	Nut, Hex, Keps 1/4-20	16	532124346	Nut, Self-Threading 3/16-18
7	532124996	Clip, Fuel Line	17	872110404	Bolt, Carriage 1/4-20 x 1/2 Gr. 5
8	819091216	Washer 9/32 x 3/4 x 16 Ga.	18	532130745	Support, Assembly Dash
9	874760428	Bolt, Hex, Fin 1/4-20 x 1-3/4	19	532134744	Brace, Cross
10	819091413	Washer 11/32 x 11/16 x 16 Ga.	20	817060408	Screw, Self-Tapping 1/4-20 x 1/2
			21	532134014	Plug, Dome, Black

HARDWARE SHOWN LARGER FOR EASIER IDENTIFICATION

REPAIR PARTS

TRACTOR -- MODEL NO. LTH130 (HE13H36F), PRODUCT NO. 954 82 00 -01
STEERING WHEEL



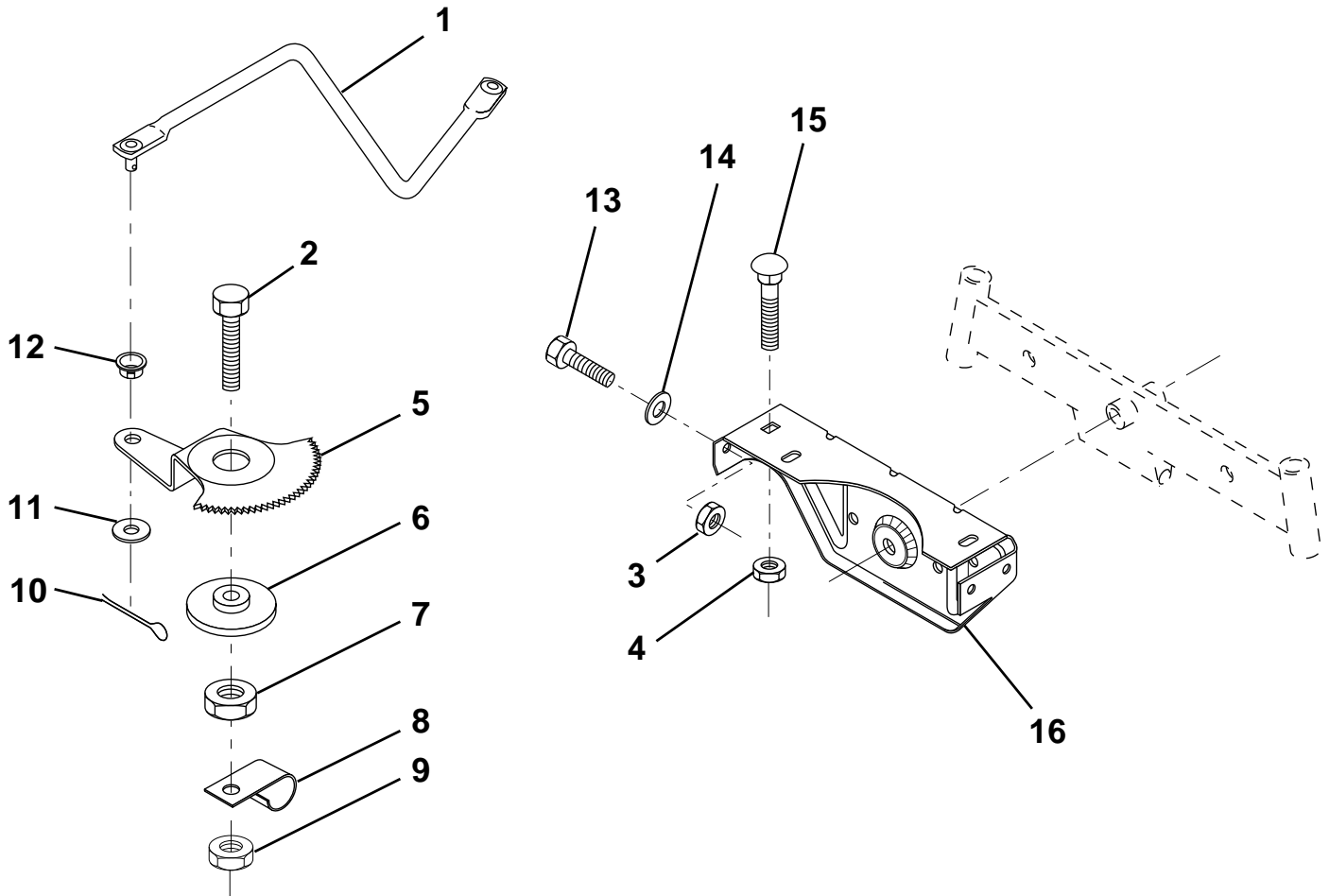
KEY NO.	PART NO.	DESCRIPTION
1	532124416	Insert, Wheel, Steering
2	810040600	Washer, Lock Hvy Hlcl
3	819133808	Washer 12/32 x 2-3/8 x 8 Ga.
4	532124415	Wheel, Steering
5	532127396	Sleeve, Steering
6	532152927	Screw, TT #10-32 x 5 x 3/8 Flange
7	532155104	Bushing, Steering
8	532147391	Shaft, Steering
9	532124210	Clip, Steering

KEY NO.	PART NO.	DESCRIPTION
10	532123438	Bushing, Lower, Steering
11	812000045	Ring, Retaining
12	819211616	Washer 21/32 x 1 x 16 Ga.
13	532100711	Adaptor, Wheel, Steering
14	532153720	Extension Shaft Steering
15	874780520	Bolt, Fin Hex 5/116-18 UNC x 1-1/4
16	873800500	Nut Lock Hex w/lns 5/16-18 UNC
17	874780616	Bolt Fin Hex 3/8-16unc x 1

HARDWARE SHOWN LARGER FOR EASIER IDENTIFICATION

REPAIR PARTS

TRACTOR - - MODEL NO. LTH130 (HE13H36F), PRODUCT NO. 954 82 00 -01
SECTOR GEAR/AXLE SUPPORT

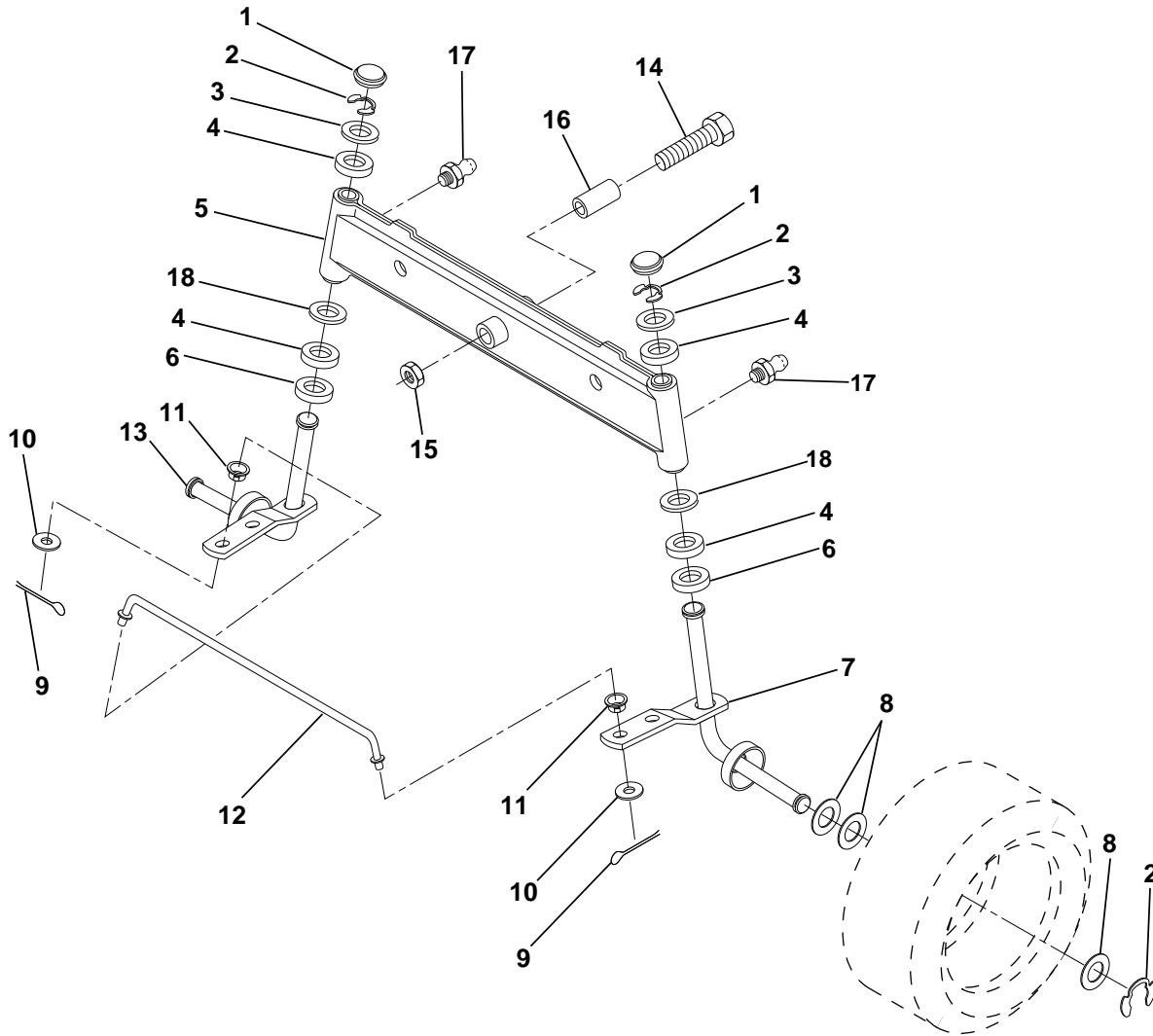


KEY NO.	PART NO.	DESCRIPTION	KEY NO.	PART NO.	DESCRIPTION
1	532132566	Link, Drag	9	873680800	Nut, Crownlock 3/8-16
2	874780828	Bolt, Fin Hex 1/2-13 x 1-3/4	10	876020412	Pin, Cotter 1/8 x 3/4
3	873680500	Nut, Crownlock 5/16-18	11	819131316	Washer, 13/32 x 13/16 x 16 Ga.
4	873680600	Nut, Crownlock 3/8-16	12	532126847	Bushing
5	532121926	Gear, Sector	13	874760512	Bolt, Hex Hd. 5/16-18 UNC x 3/4
6	532121927	Bushing	14	819111416	Washer 11/32 x 7/8 x 16 Ga.
7	873030800	Nut, Heavy Hex Top Lock 1/2-13 UNC	15	872110606	Bolt, Carriage 3/8-16 UNC x 3/4
8	532126472	Clip, Insulated	16	532137096	Support, Front Axle

HARDWARE SHOWN LARGER FOR EASIER IDENTIFICATION

REPAIR PARTS

TRACTOR -- MODEL NO. LTH130 (HE13H36F), PRODUCT NO. 954 82 00 -01
FRONT AXLE

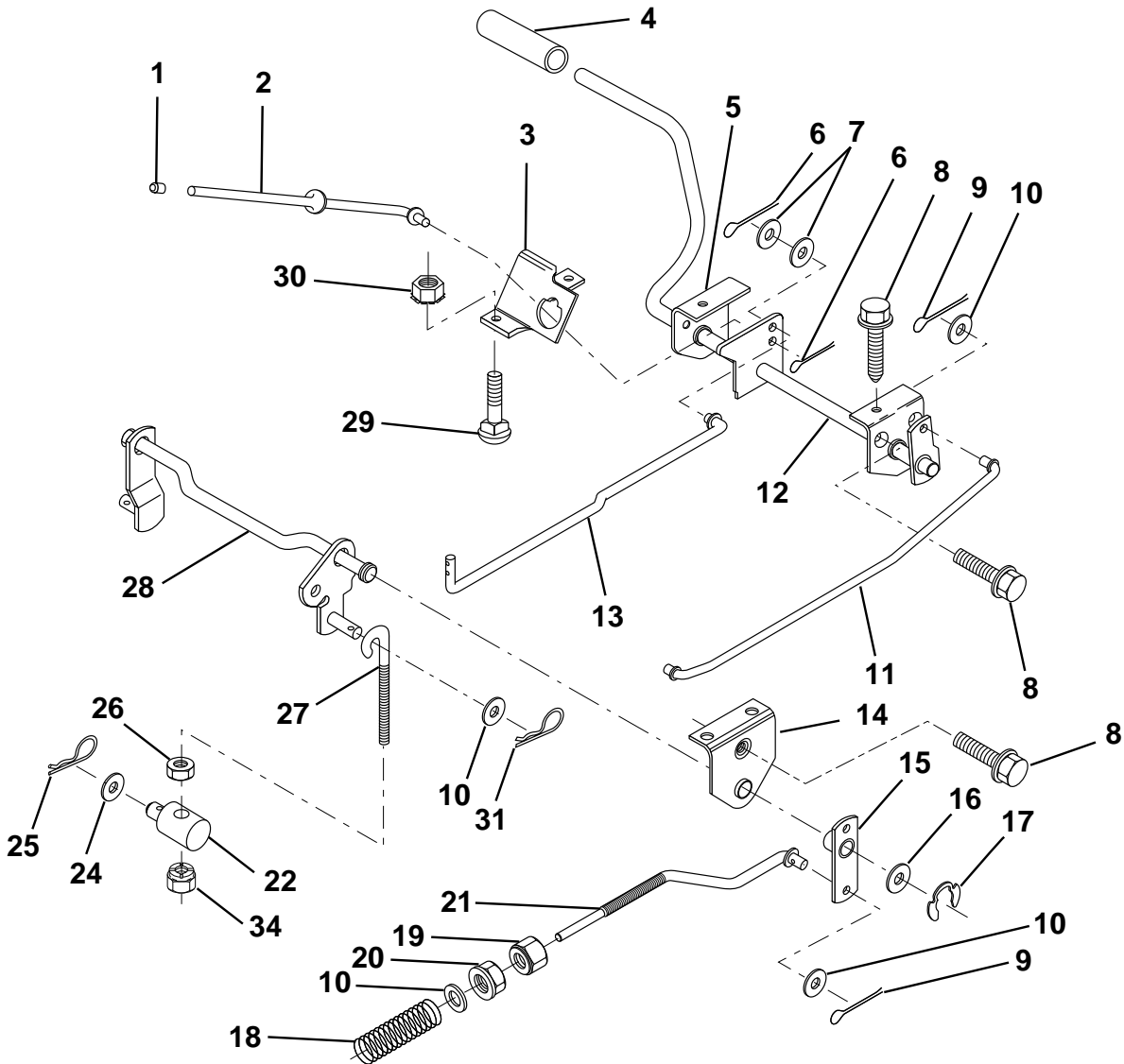


KEY NO.	PART NO.	DESCRIPTION	KEY NO.	PART NO.	DESCRIPTION
1	532121232	Cap, Spindle	10	819131316	Washer 13/32 x 13/16 x 16 Ga.
2	812000029	Ring, Clip	11	532126847	Bushing
3	532121748	Washer 25/32 x 1-5/8 x 16 Ga.	12	532130465	Rod, Tie
4	532124937	Nyliner	13	532161827	Spindle, L.H. Asm.
5	532142033	Axle, Front	14	874011056	Bolt Hex 5/1-11 x 3-1/2
6	532124931	Bearing, Thrust	15	873901000	Nut, Lock Flange 5/8-11
7	532161826	Spindle, R.H. Asm.	16	532110438	Spacer Bearing Axle
8	532121749	Washer 25/32 x 1-1/4 x 16 Ga.	17	532124836	Fitting Grease
9	876020412	Pin, Cotter 1/8 x 3/4	18	819272016	Washer 27/32 x 1-1/4 x 16 Ga.

HARDWARE SHOWN LARGER FOR EASIER IDENTIFICATION

REPAIR PARTS

TRACTOR - - MODEL NO. LTH130 (HE13H36F), PRODUCT NO. 954 82 00 -01
BRAKE / REAR MOWER LIFT ASSEMBLY

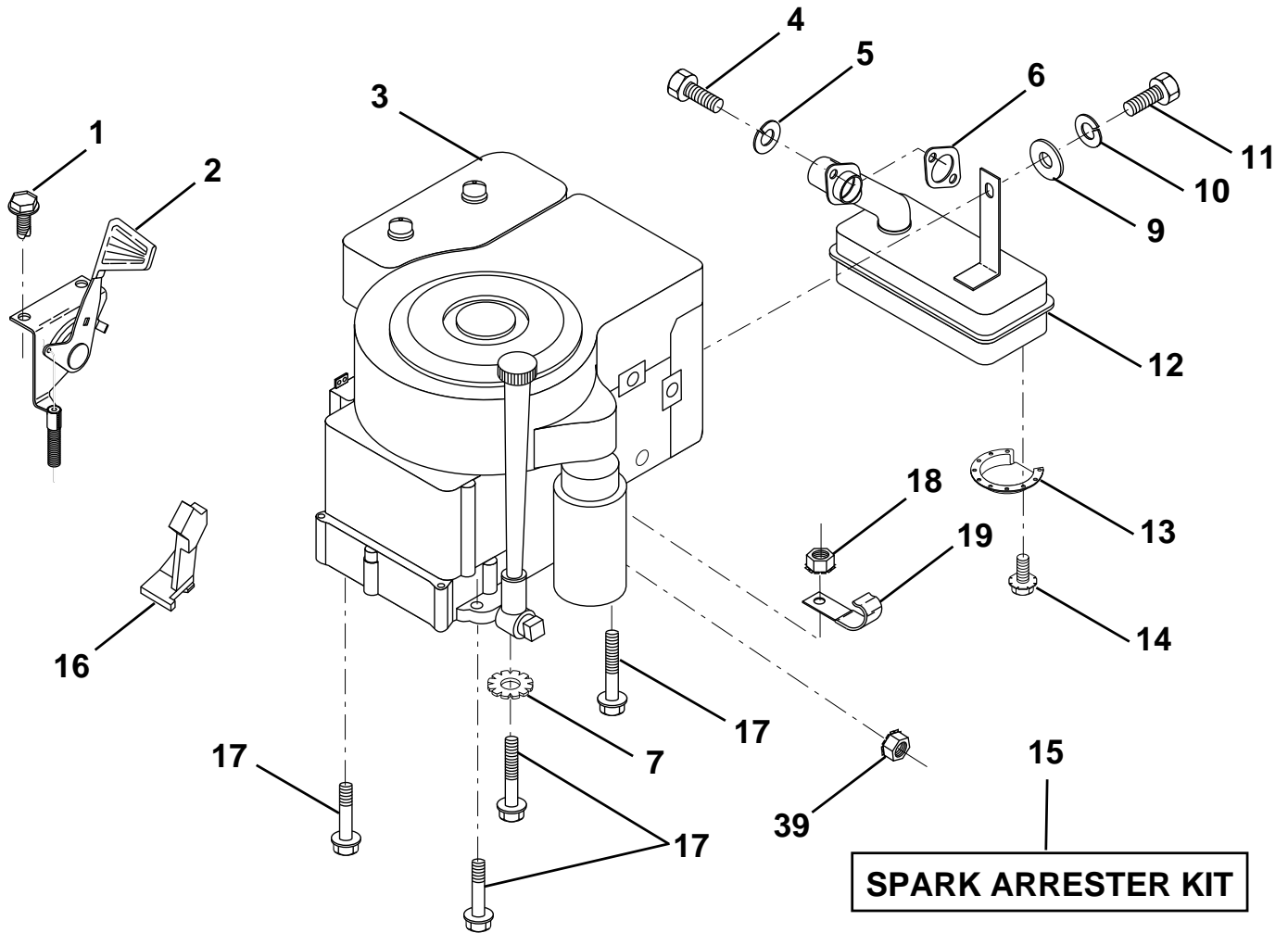


KEY NO.	PART NO.	DESCRIPTION	KEY NO.	PART NO.	DESCRIPTION
1	532071673	Cap, Plunger	16	819251816	Washer 25/32 x 1-1/8 x 16 Ga.
2	532123436	Rod, Parking Brake	17	812000034	Ring, Klip
3	532123437	Bracket, Parking Brake	18	532151332	Spring, Brake Rod
4	532008156	Cover, Pedal	19	873350600	Nut, Hex, Jam 3/8-16 UNC
5	532122504	Bracket, Clutch/Brake Pedal, L.H.	20	873800600	Nut Lock Hex w/Ins. 3/18-16 UNC
6	876020312	Pin, Cotter 3/32 x 3/4	21	532144413	Rod, Brake
7	819131016	Washer 13/32 x 5/8 x 16 Ga.	22	532144585	Trunnion, Lift
8	817490508	Screw, Hex. Thdrol. 5/16-18 x 1/2	24	819132012	Washer 13/32 x 1-1/4 x 12 Ga.
9	876020412	Pin, Cotter 1/8 x 3/4	25	532124961	Retainer, Spring
10	819131316	Washer 13/32 x 13/16 x 16 Ga.	26	873930600	Nut, Centerlock 3/8-16 UNC
11	532123543	Rod, Brake, Front	27	532127369	Link, Threaded
12	532139933	Assembly, Clutch/Brake	28	532140776	Assembly, Rear Mower Lift
13	532123394	Rod, Clutch	29	872110506	Bolt, Carriage 5/16-18 UNC x 3/4
14	532121978	Bracket, Lift Shaft	30	873510500	Nut, Keps 5/16-16 UNC
15	532133332	Assembly, Brake Pivot Arm	31	532124660	Retainer, Spring, Zinc
			34	873680600	Nut, Crownlock 3/16-18

HARDWARE SHOWN LARGER FOR EASIER IDENTIFICATION

REPAIR PARTS

TRACTOR -- MODEL NO. LTH130 (HE13H36F), PRODUCT NO. 954 82 00 -01
ENGINE

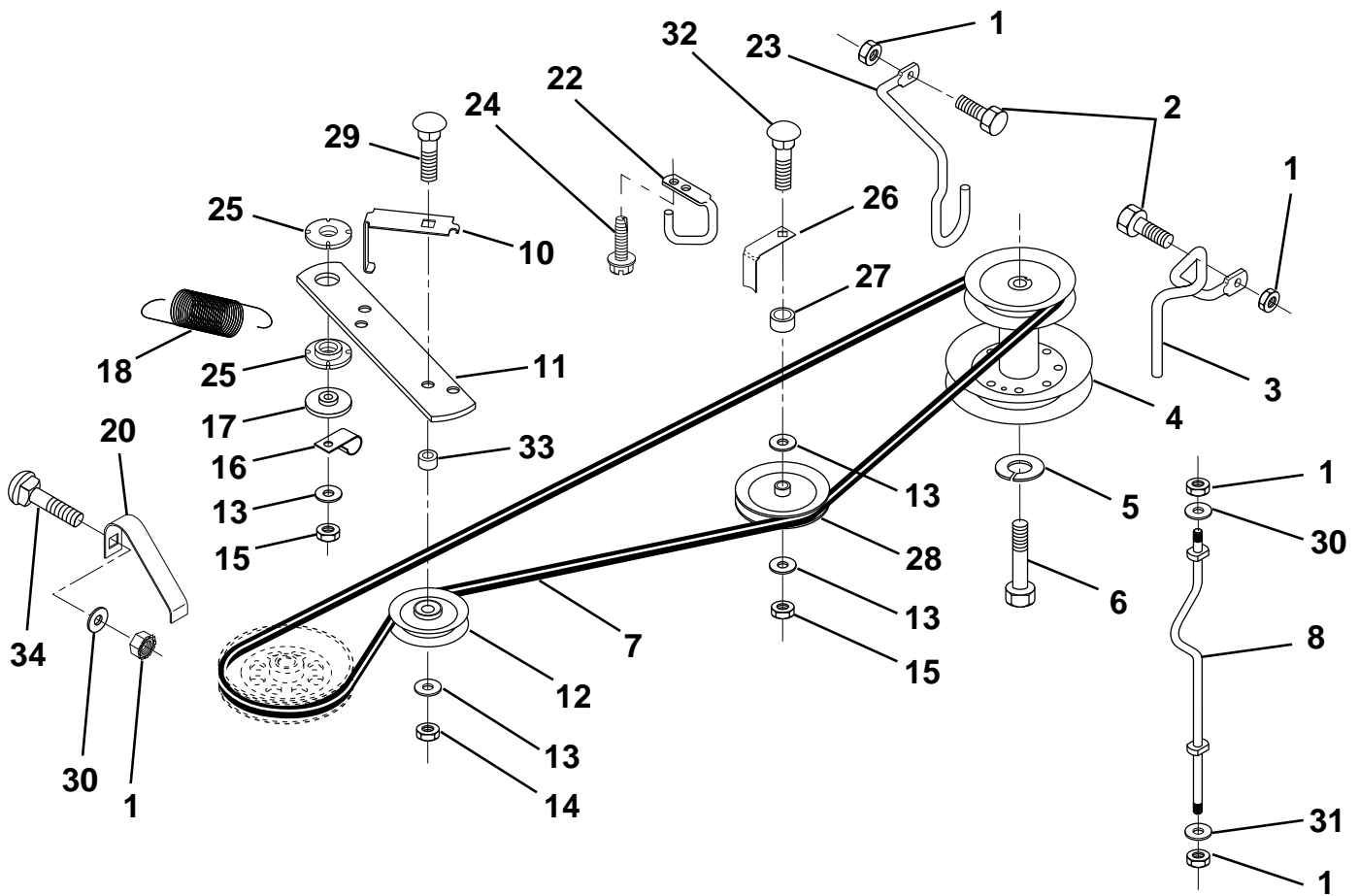


KEY NO.	PART NO.	DESCRIPTION	KEY NO.	PART NO.	DESCRIPTION
1	817060408	Screw, Hex, Thd. Cut 1/4-20 x 1/2	11	-----	Screw (Order from Engine Mfg.)
2	532133025	Control, Throttle	12	532137437	Muffler
3	-----	Engine (See Breakdown) Briggs Model 28R707	13	532101326	Deflector, Muffler
4	871070512	Screw, Hex. Hd. Cap 5/16- 18 x 3/4	14	817030808	Screw, Spiderloc, Hex Hd. #8 x 1/2
5	810040500	Washer, Lock, Heavy Helical Spring 5/16	15	532137180	Arrester, Spark (Optional equipment)
6	532165291	Gasket, Exhaust	16	532127951	Stop, Throttle
7	811050600	Washer, Lock Ext. Tooth 3/8	17	817490624	Screw, Hex Washer Head, Thdrol. 3/8-16 x 1-1/2
9	819101216	Washer 5/16 x 3/4 x 16	18	873510600	Nut, Keps Hex 3/8-16 UNC
10	810040400	Washer, Lock, Heavy Helical Spring 1/4	19	532124996	Clip, Fuel Line
			39	532128861	Nut, Flange 1/4-20

HARDWARE SHOWN LARGER FOR EASIER IDENTIFICATION

REPAIR PARTS

TRACTOR - - MODEL NO. LTH130 (HE13H36F), PRODUCT NO. 954 82 00 -01
GROUND DRIVE



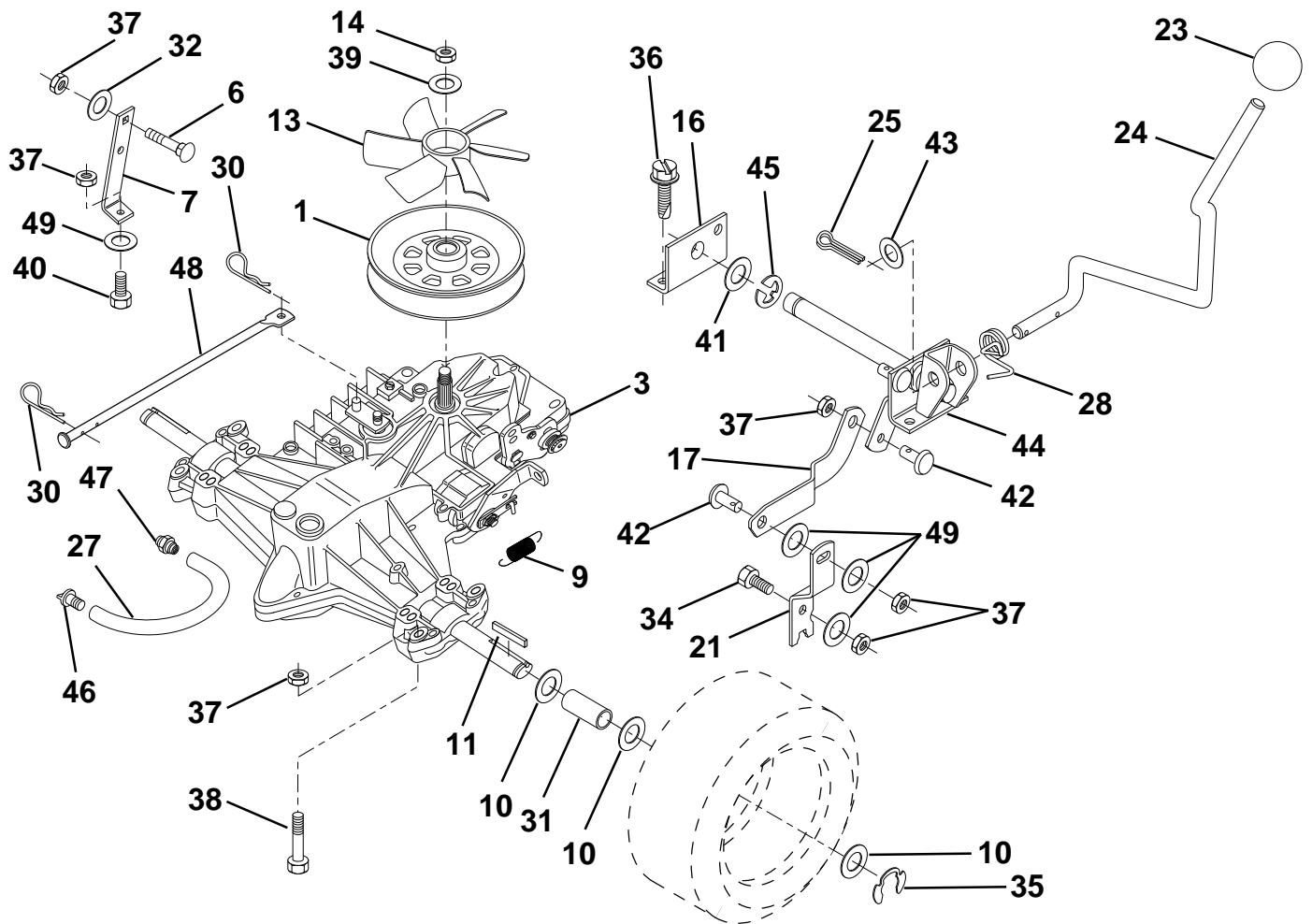
KEY NO.	PART NO.	DESCRIPTION	KEY NO.	PART NO.	DESCRIPTION
1	873800500	Nut, Lock, Hex. w/Ins. 5/16-18	17	532150932	Spacer, Retainer
2	874760512	Bolt, Hex. Hd 5/16-18 x 3/4	18	532131459	Spring, Extension
3	532141297	Keeper,Belt, Mower Drive, R. H.	20	532140909	Keeper, Belt, L.H.
4	532138029	Pulley, Engine	22	532123404	Keeper, Belt, Frame, Ground Drive
5	810040700	Washer, Lock 7/16	23	532140916	Keeper, Belt, Front, L. H.
6	871170744	Bolt, Hex.,7/16-20 Gr.5	24	817720408	Screw, Thd. Cut 1/4-20 x 1/2
7	531006044	Traction, V-Belt Drive	25	532150935	Bushing, Nylon
8	532140785	Keeper, Belt, R.H. Hydro	26	532140913	Keeper, Belt
10	532140780	Keeper, Belt, Ground Drive, Idler	27	532140914	Spacer
11	532150926	Arm, Ground Drive Clutch	28	532139123	Pulley, V-Idler
12	532123674	Idler, Flat	29	872140618	Bolt, Carr. 3/8-16 UNC x 2-1/4
13	819131316	Washer 13/32 x 13/16 x 16 Ga.	30	819111116	Washer
14	873930600	Nut, Centerlock 3/8-16 UNC	31	819111216	Washer
15	873680600	Nut, Lock, Hex. w/Wsh 3/8-16	32	872140620	Bolt, Carriage
16	532126471	Clip, Insulated	33	532000160	Sleeve, Pivot
			34	872140506	Bolt, Carriage

HARDWARE SHOWN LARGER FOR EASIER IDENTIFICATION

REPAIR PARTS

TRACTOR -- MODEL NO. LTH130 (HE13H36F), PRODUCT NO. 954 82 00 -01

TRANSAXLE



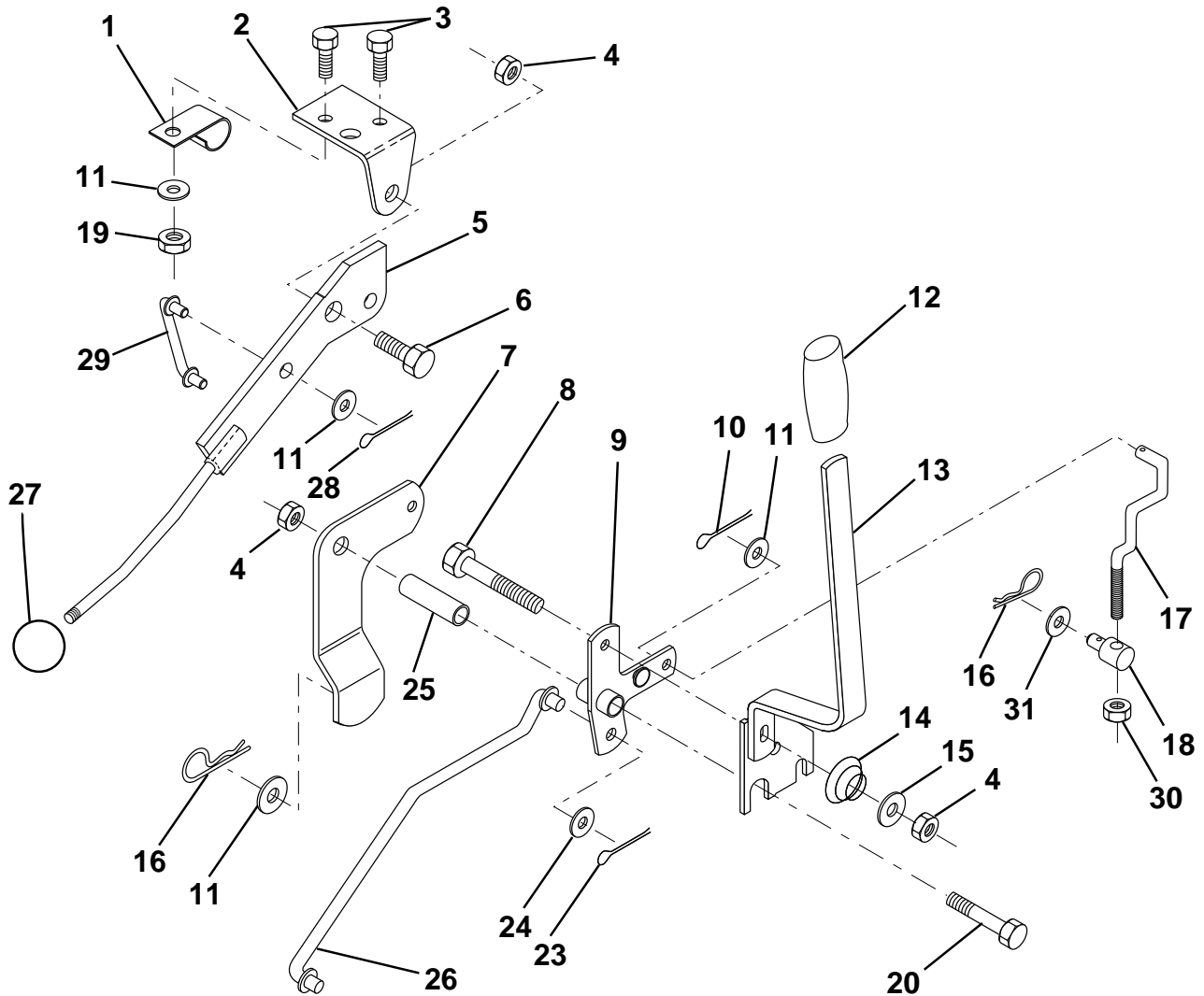
KEY NO.	PART NO.	DESCRIPTION	KEY NO.	PART NO.	DESCRIPTION
1	532140779	Pulley, V-Groove	31	532121199	Spacer
3	-----	Transaxle, Hydro 0319-0500	32	819111116	Washer 11/32 x 11/16 x 16
6	872140506	Bolt, Carriage	34	874760516	Bolt, Rdhd 5/16-18 x 1
7	532140774	Strap, Torque	35	812000001	E-Ring
9	532146682	Spring, Brake	36	817720408	Screw, Thd. Cut 1/4-20 x 1/2
10	532121749	Washer 25/32 x 1-1/4 x 16 Gauge	37	873800500	Nut
11	532123583	Key, Square	38	874490540	Bolt, Hex Flghd 5/16-18
13	532140778	Fan, Transaxle, Hydro	39	819171912	Washer
14	873750800	Nut, Lock 1/2-20	40	874760524	Bolt
16	532140763	Support, Shift Handle	41	819212013	Washer 21/32 x 1-1/4 x 13 Gauge
17	532140767	Link, Shift	42	532140769	Pin, Pivot
21	532140773	Lever, Shift	43	819171216	Washer
23	532121274	Knob, Shifter	44	532156047	Pivot Shaft Assembly
24	532140765	Rod, Shifter	45	812000002	E-Ring
25	876020416	Pin, Cotter	46	532142917	Cap, Vent Hose
27	532142564	Hose, Vent	47	532142918	Nipple, Vent Hose
28	532140772	Spring, Torsion	48	532140912	Actuator, Bypass, Hydro
30	532124788	Retainer, Spring	49	819111216	Washer

HARDWARE SHOWN LARGER FOR EASIER IDENTIFICATION

REPAIR PARTS

TRACTOR -- MODEL NO. LTH130 (HE13H36F), PRODUCT NO. 954 82 00 -01

MOWER LIFT LEVER

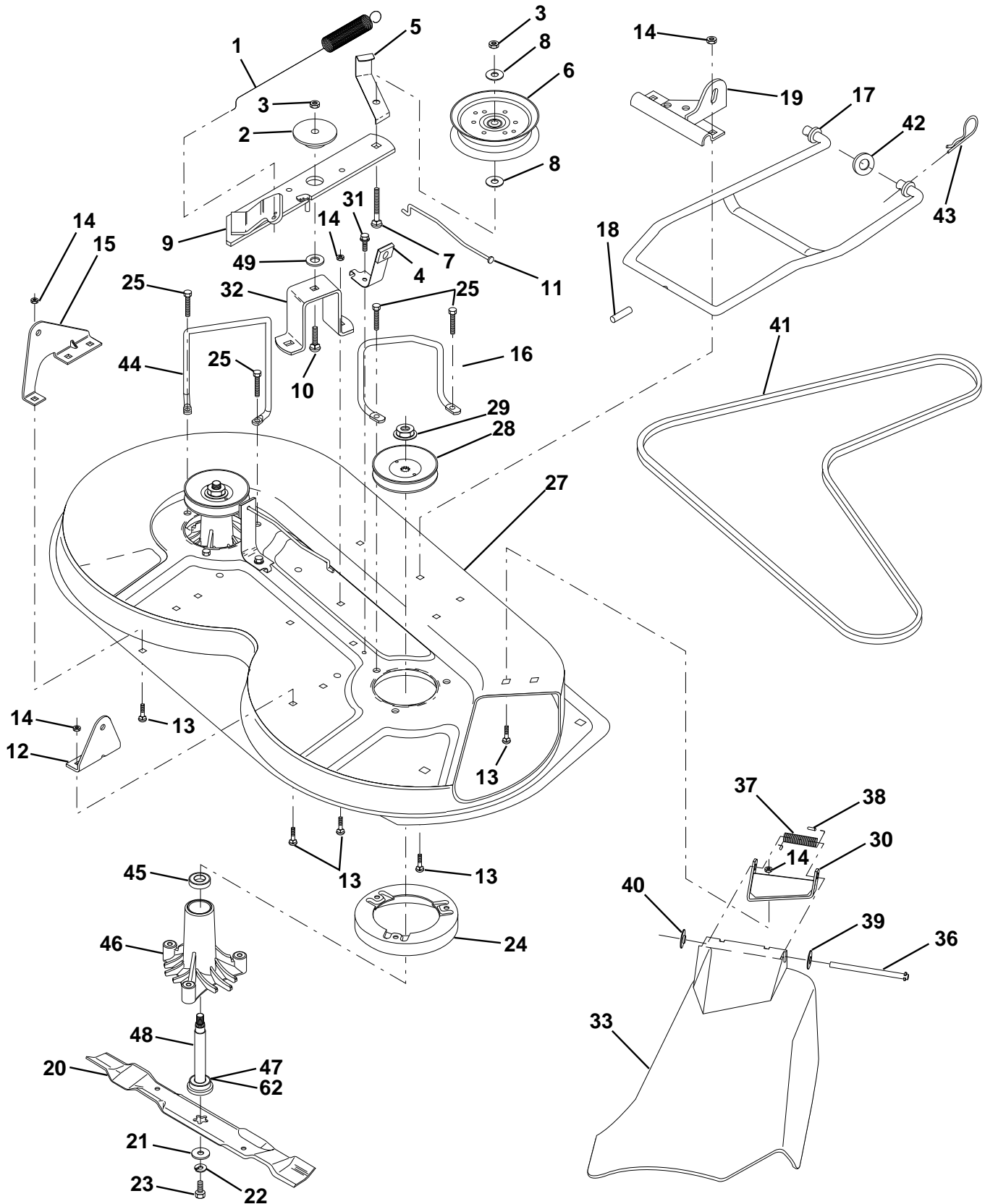


KEY NO.	PART NO.	DESCRIPTION	KEY NO.	PART NO.	DESCRIPTION
1	532126470	Clip, Insulated	16	532124961	Retainer, Spring
2	532122018	Bracket, Mower Clutch	17	532127359	Link, Front Lift
3	871110408	Bolt, Fin. Hex 1/4-20 UNC x 1/2	18	532142028	Trunnion, Threaded 3/8-16
4	873680600	Nut, Crownlock 3/8-16	19	873680400	Nut, Crownlock 1/4-20
5	532145187	Assembly, Clutch Lever	20	874760644	Bolt, Fin. Hex 3/8-16 UNC x 2-3/4
6	532106451	Bolt, Shoulder	23	876020416	Pin, Cotter 1/8 x 1
7	532135371	Assembly, Mower Clutch Arm	24	819171612	Washer 17/32 x 1 x 12 Ga.
8	874760636	Bolt, Hex 3/8-16 UNC x 2-1/4	25	532121933	Tube, Spacer
9	532121930	Assembly, Bellcrank Lift	26	532141470	Rod, Mower Lift
10	876020412	Pin, Cotter 1/8 x 3/4	27	532121466	Knob
11	819131316	Washer 13/32 x 13/16 x 16 Ga.	28	876020312	Pin, Cotter 3/32 x 3/4
12	532122027	Grip, Handle	29	532131655	Link, Mower Clutch
13	532139352	Assembly, Lift Handle	30	873350600	Nut, Hex Jam 3/8-16 x 1.30
14	532123496	Spring, Compression	31	819132012	Washer 13/32 x 1-1/4 x 12 Ga.
15	819131212	Washer 13/32 x 3/4 x 12 Ga.			

HARDWARE SHOWN LARGER FOR EASIER IDENTIFICATION

REPAIR PARTS

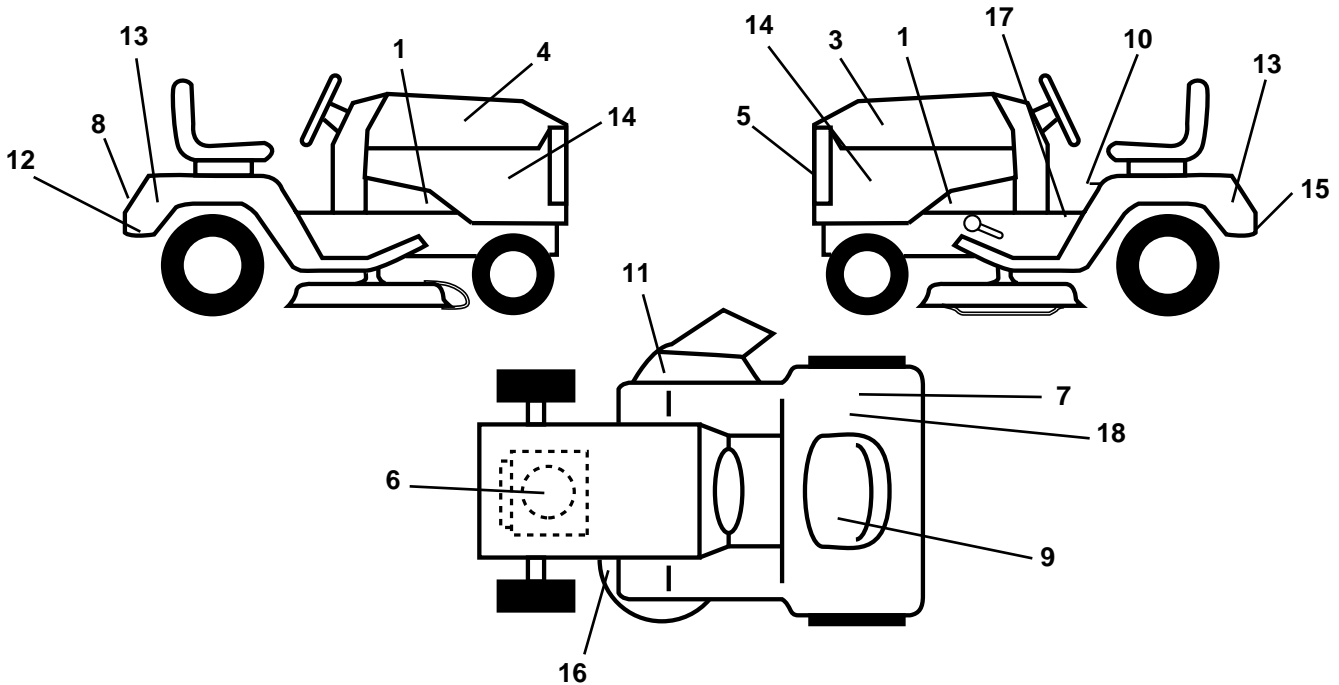
TRACTOR -- MODEL NO. LTH130 (HE13H36F), PRODUCT NO. 954 82 00 -01
MOWER DECK



REPAIR PARTS

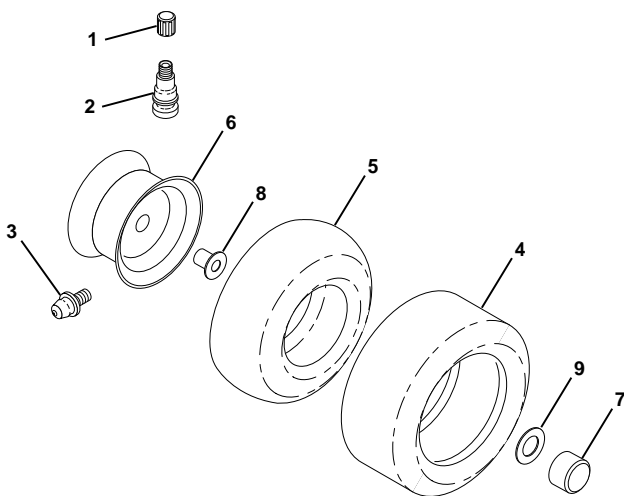
TRACTOR -- MODEL NO. LTH130 (HE13H36F), PRODUCT NO. 954 82 00 -01

DECALS



KEY NO.	PART NO.	DESCRIPTION	KEY NO.	PART NO.	DESCRIPTION
1	532159736*	Decal, Chassis Hot Muffler	12	532141484*	Decal, Drawbwr Cntrl
3	532151355	Decal, Hood, L. H.	13	532155862*	Decal, Fender Automatic Husq.
4	532151354	Decal, Hood, R. H.	14	532159713*	Decal Panel Side B&S Husq.
5	532150616*	Decal, Logo, Grill	15	532162598*	Decal, Drawbar, Load Limit
6	532165363*	Decal, Engine	16	532136830*	Decal, V-Belt Sch.
7	532126187*	Decal, 100 DBA	17	532159739*	Decal, Oper. Inst., Sym.
8	532150617*	Decal, Logo, Fender	18	532145437*	Decal, Europ Stand. CE Tractors
9	532145005*	Decal, Battery Danger/Poison	--	532138311*	Decal, Height, Adjust
10	532145498*	Decal, Read Owner's Manual Symbols	--	532157021	Manual, Operator's (Scan)
11	532145494*	Decal, Cuffinger	--	532157020	Manual, Operator's (Euro)

WHEELS & TIRES



KEY NO.	PART NO.	DESCRIPTION
1	532059192	Cap, Valve
2	532065139	Stem, Valve
3	532124957	Fitting, Grease (Front Wheels Only)
4	532137422	Tire, Front
4	532132703	Tire, Rear
5	532059904	Tube, Front (Optional Service Items Only)
5	532008134	Tube, Rear (Optional Service Items Only)
6	532142039	Rim, Front
6	532141652	Rim, Rear
7	532104757	Cap, Hub, Axle
8	532124959	Bearing, Flange
9	532121748	Washer 25/32 x 1-5/8 x 16 Ga.

NOTE: All component dimensions given in U. S. inches
1 inch = 25.4 mm

REPAIR PARTS

TRACTOR - - MODEL NO. LTH130 (HE13H36F), PRODUCT NO. 954 82 00 -01
MOWER DECK

KEY NO.	PART NO.	DESCRIPTION
1	532140064	Spring, Mower Clutch
2	532122052	Spacer, Retainer
3	873680600	Nut, Crownlock 3/8-16
4	532130840	Brake Asm.
5	532131251	Guide, Belt Idler
6	532121316	Pulley, Flat Idler
7	872110616	Bolt, Carr. 3/8-16 x 1-3/4 Gr. 5
8	819131410	Washer 13/21 x 7/8 x 10 Ga.
9	532127744	Arm Asm., Idler Mower
10	872140610	Bolt, Carriage 3/8-16 x 1-1/4
11	532130841	Rod, Brake
12	532127356	Bracket, Lift R. H. Rear
13	872140506	Bolt, Carriage 5/16-18 x 3/4
14	873680500	Nut, Crownlock 5/16-18
15	532127357	Bracket, Lift L. H. Rear
16	532153298	Keeper, R. H.
17	532128508	Link, Asm. Mower Stabilizer
18	532128511	Pin, Drive
19	532127380	Bracket, Asm. Front
20	531005023	Blade Hi Lift
21	532140296	Washer, Hard
22	810030600	Washer, Lock 3/8
23	532850857	Bolt 3/8-24 x 1-1/4 Gr. 8
24	532140329	Stripper
25	532157722	Screw Thd Rolling Washer Head
27	532156600	Deck Assembly
28	532153531	Pulley, Mandrel
29	532137266	Nut, Flangelock 9/16
30	532136631	Bracket, Asm. Deflector
31	817490508	Screw, Hex Wsh. Thdrol. 5/16-18 x 1/2
32	532122051	Arm, Support Idler Mower
33	532131560	Deflector
36	532121980	Rod, Hinge
37	532123713	Spring, Torsion Deflector
38	532105304	Cap, Sleeve
39	819111016	Washer 11/32 x 5/8 x 16 Ga.
40	532110452	Pushnut
41	531005026	V-Belt
42	819171616	Washer 11/32 x 5/8 16 Ga.
43	532124660	Retainer, Spring
44	532140608	Keeper, L. H.
45	532110485	Bearing
46	532128774	Housing Mandrel Vented
47	532129895	Bearing
48	532137645	Shaft, Mandrel (Includes Key # 47)
49	532133943	Washer Hardened
62	532153390	Washer, Felt
--	532130794	Mandrel Asm. (Includes Key No.'s 22-23, 26, 29 and 45-48)
--	532156866	Deck, Mower Complete

HARDWARE SHOWN LARGER FOR EASIER IDENTIFICATION