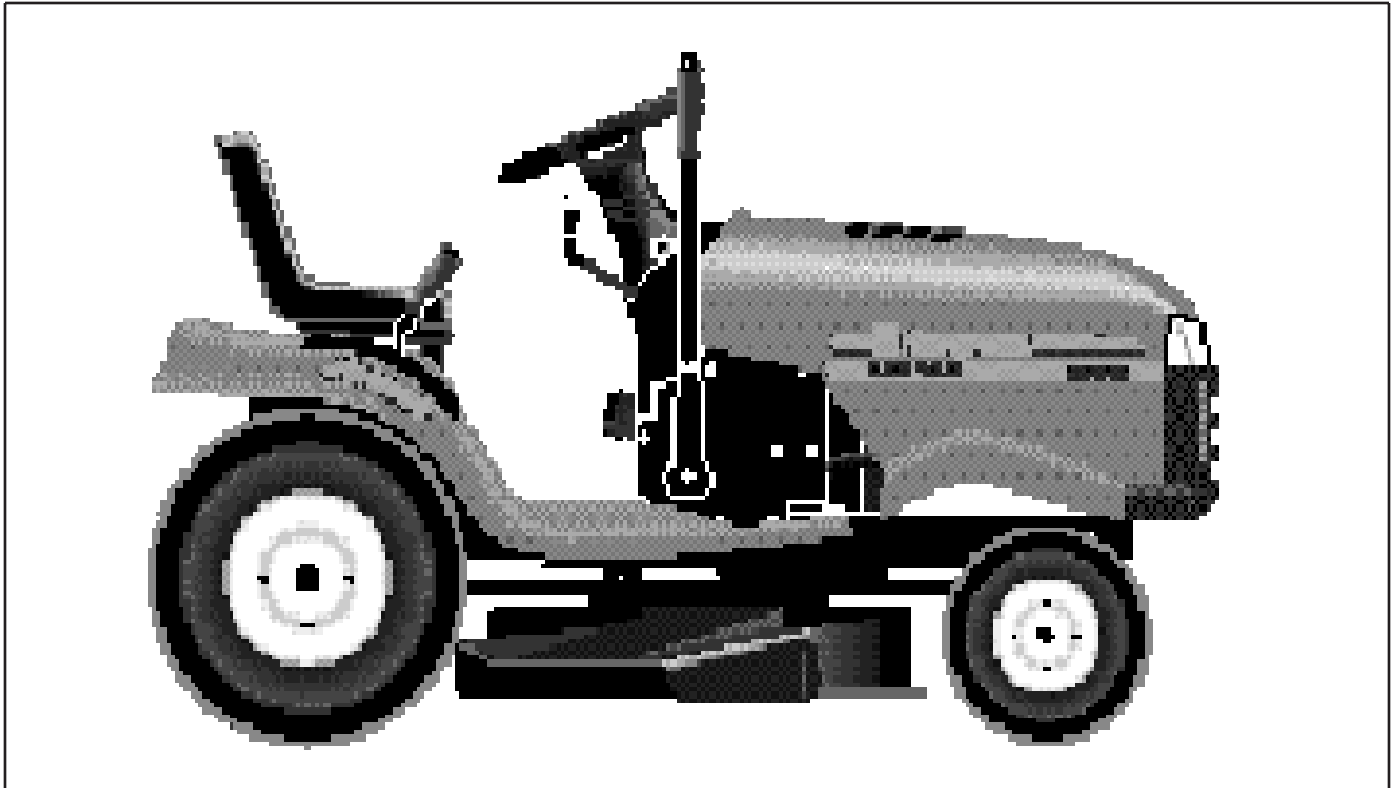


LTH 145

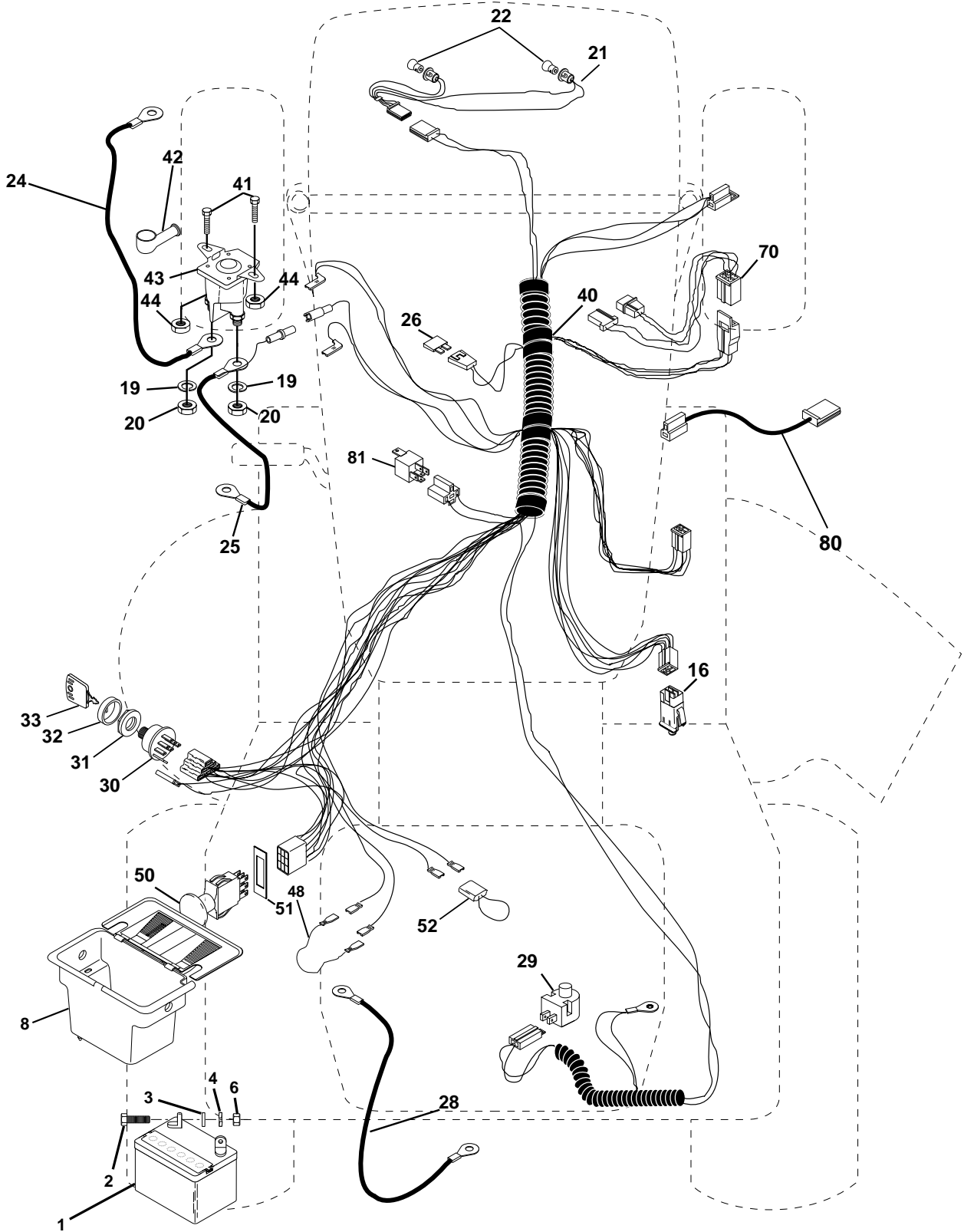


2.1998
PARTS LISTING

954140006C

REPAIR PARTS

TRACTOR - MODEL NO. LTH145 (954140006C), PRODUCT NO. 954 14 00-06
ELECTRICAL



REPAIR PARTS

TRACTOR - MODEL NO. LTH145 (954140006C), PRODUCT NO. 954 14 00-06

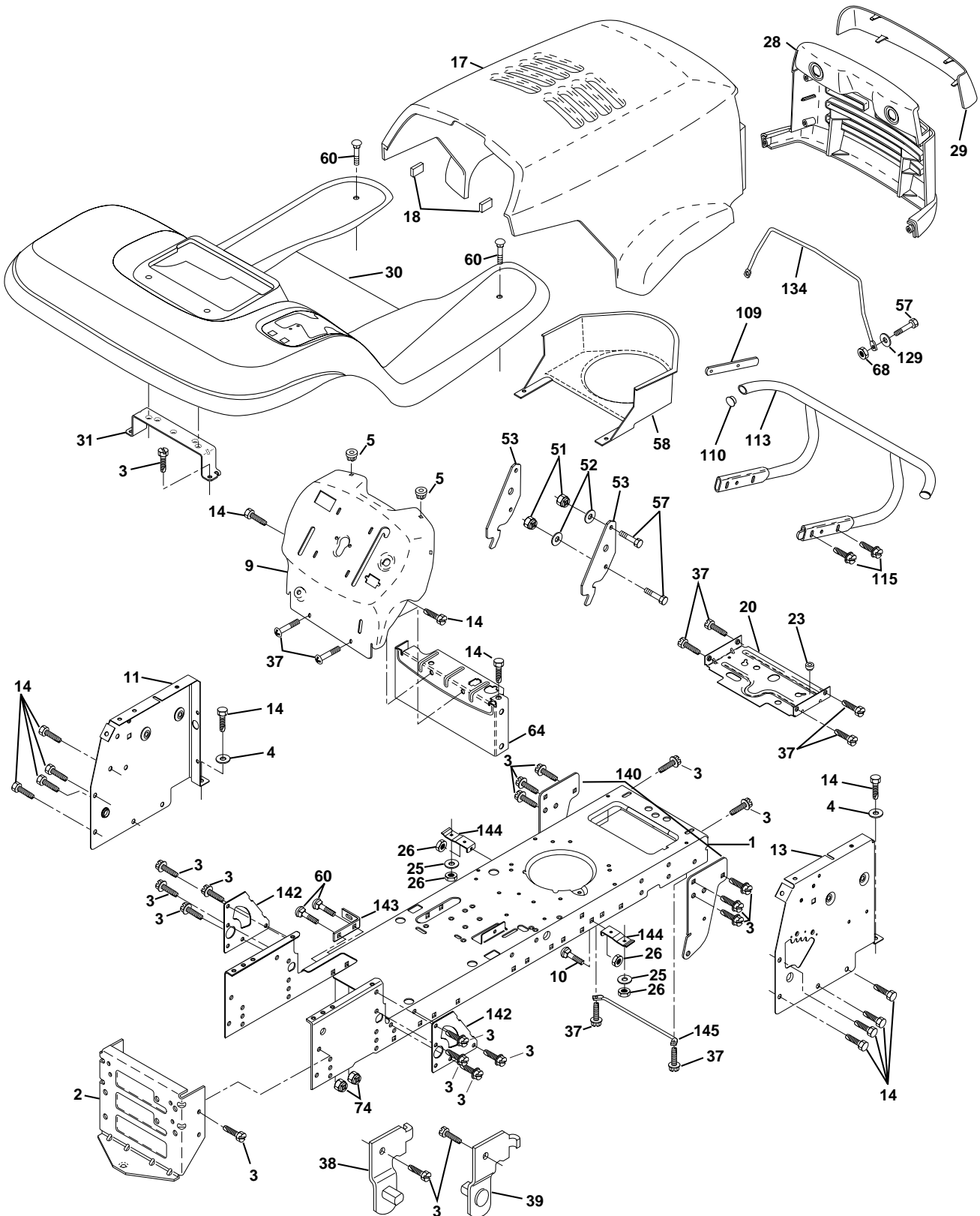
ELECTRICAL

KEY NO.	PART NO.	DESCRIPTION
1	532144925	Battery 12 Volt 25 AMP
2	874760412	Bolt Hex Hd 1/4-20 UNC X 3/4
3	819091016	Washer 9/32 X 5/8 X 16 Ga.
4	810040400	Washer Lock Hvy Helical 1/4
6	873220400	Nut Fin Hex 1/4-20 UNC
8	532156417	Case Battery Mech Hinge
16	532153664	Switch Interlock Push-In
19	810090400	Washer Lock 1/4
20	873350400	Nut Jam Hex 1/4-20 UNC
21	532136850	Harness Asm Light W/4152j
22	532004152	Bulb Light #1156
24	532124780	Cable Battery 6 Ga 11" red
25	532146147	Cable Battery 6 Ga 44" red w/16 wire
26	532108824	Fuse 30 AMP Auto Green
28	532124773	Cable Ground 6 Ga 12" black
29	532160784	Switch Plunger Normal Op Olive
30	532140301	Switch Ign 4 pos w/lights
31	532124211	Nut Ignition
32	532141226	Cover Sw Ignition
33	532122147	Key Ign Modelled Generic
40	532160720	Harness Ign.
41	871110408	Bolt Blk Fin Hex 1/4 - 20 x 1/2
42	532131563	Cover Terminal Red
43	532145673	Solenoid
44	873640400	Nut Keps Hex 1/4-20 UNC
48	532140844	Adapter Ammeter Rectangular
50	532154959	Switch, PTO 3PDT Black Delta 96
51	532140405	Ring Retainer PTO
52	532141940	Protection Wire Loop
70	532140422	Harness, Eng. B&S 14 OHV Dual
80	532146685	Harness, Clutch EVX
81	532109748	Relay Asm

NOTE: All component dimensions given in U.S. inches.
1 inch = 25.4 mm.

REPAIR PARTS

TRACTOR - MODEL NO. LTH145 (954140006C), PRODUCT NO. 954 14 00-06
CHASSIS AND ENCLOSURES



REPAIR PARTS

TRACTOR - MODEL NO. LTH145 (954140006C), PRODUCT NO. 954 14 00-06

CHASSIS AND ENCLOSURES

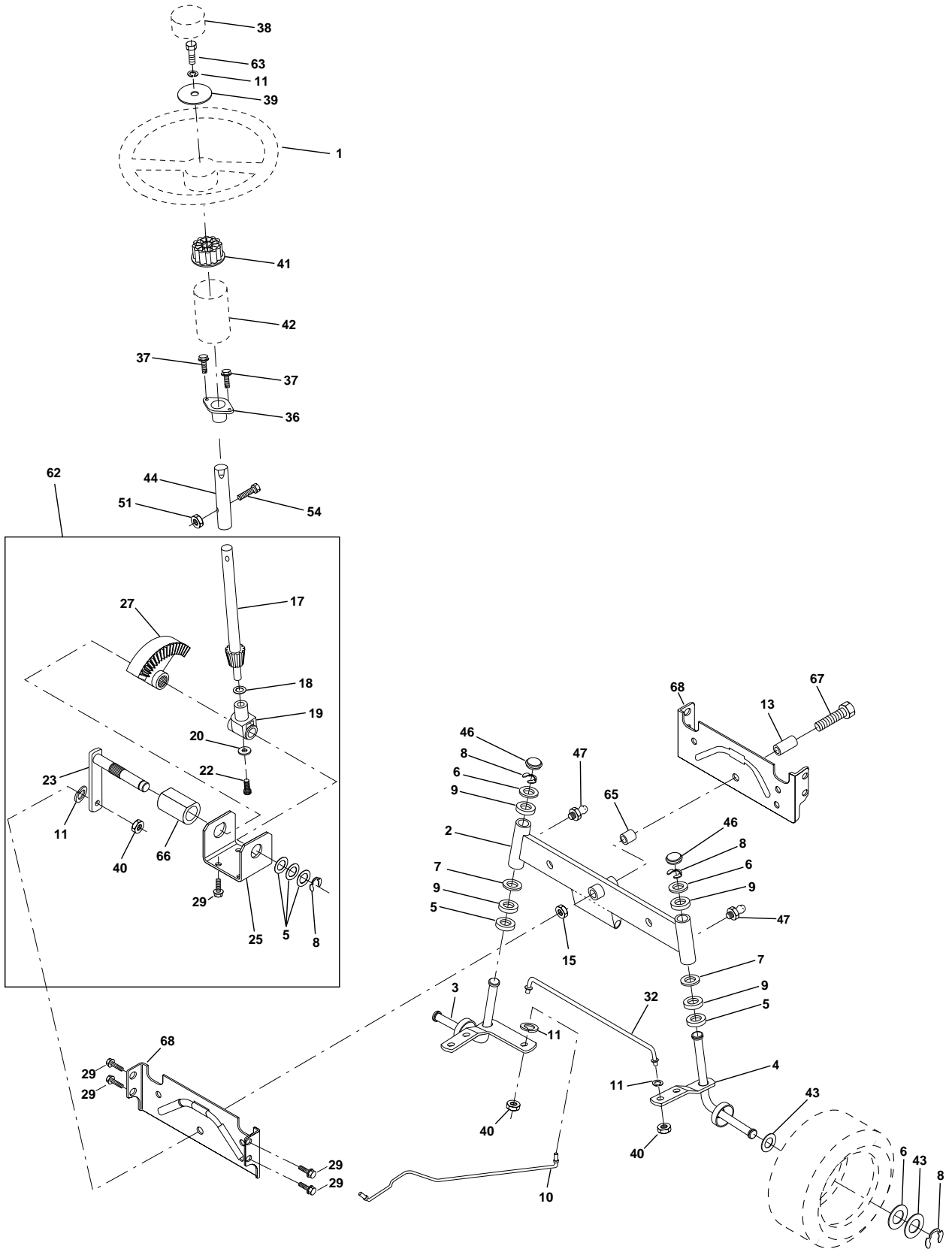
KEY NO.	PART NO.	DESCRIPTION
1	532160392	Chassis Weldment
2	532140356	Drawbar, Stretch
3	817490612	Screw Thdrol 3/8-16x3/4 Ty-tt
4	819131216	Washer 13/32 x 3/4 x 16 Ga.
5	532155272	Bumper Hood/Dash
9	532157409	Dash P/L M, Slkscr Elec N/A N/Hm
10	872140608	Bolt Carriage 3/8-16 x 1
11	532155927	Panel Dash Lh
13	532157262	Panel Dash Rh
14	817490608	Screw Thdrol 3/8-16x1/2 Ty-tt
17	532156051	Hood LT/PL Husqvarna
18	532126938	Bumper Hood
20	532156437	Plate Mtg Battery Fuel Tank Fr
23	532124028	Bushing
25	819131312	Washer 13/32 X 13/16 X 12 Ga
26	873800600	Nut Lock Hex W/Ins 3/8-16 Unc
28	532149776	Grille LT/PL Husqvarna
29	532149777	Lens LT/PL Husqvarna
30	532156489	Fender Footrest STLT Pnt
31	532139976	Bracket Support Fender
37	817490508	Screw Thdrol 6/16-18 x 1/2 TYT
38	532139886	Bracket, Asm. Pivot, L.H., Mower Rear
39	532139887	Bracket, Asm. Pivot, R.H., Mower Rear
51	873800400	Nut Lock Hex W/Ins 1/4-20
52	819091416	Washer 9/32 x 7/8 x 16 Ga.
53	532150067	Bracket Pnt. Pick off LT/PL Husqvarna
57	874780412	Bolt Hex 1/4-20 x 3/4
58	532150127	Air Duct Engine P/L
60	872140606	Bolt Rdhd Sqnk 3/8-16unc x 3/4
64	532154798	Dash Lower STLT
68	873510400	Nut Keps Hex 1/4-20 UNC
74	873680600	Nut Crownlock 3/8-16 UNC
109	532141461	Bracket Extension, Bumper
110	532143679	Plug, Plastic
113	532150300	Bumper Asm
115	817490620	Screw Thdrol 3/8-16 x 1-1/4
129	819091016	Washer 9/32 x 5/8 x 16 Ga.
134	532160219	Rod Support Hood Husq.
140	532158418	Bracket Front Suspension
142	532156095	Plate Reinforcement STLT
143	532154966	Bracket Swaybar Chassis
144	532154207	Bracket Pnt Footrest STLT
145	532156524	Rod Pivot Chassis/Hood
--	532005479	Plug Button

NOTE: All component dimensions given in U.S. inches
1 inch = 25.4 mm

REPAIR PARTS

TRACTOR - MODEL NO. LTH145 (954140006C), PRODUCT NO. 954 14 00-06

STEERING ASSEMBLY



REPAIR PARTS

TRACTOR - MODEL NO. LTH145 (954140006C), PRODUCT NO. 954 14 00-06

STEERING ASSEMBLY

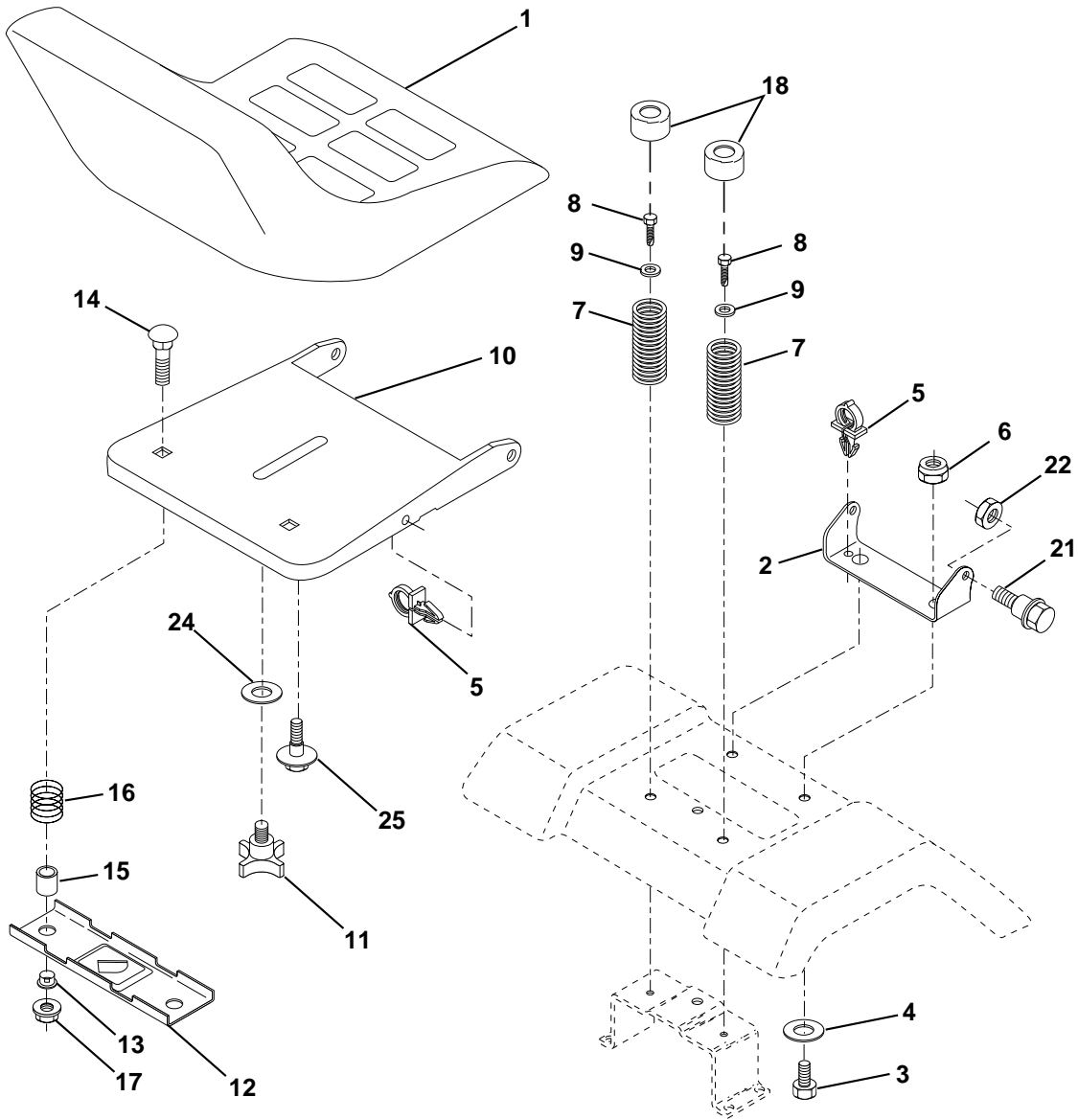
KEY NO.	PART NO.	DESCRIPTION
1	532124415	Wheel Steering
2	532137094	Axle Front Casting Machined
3	532157479	Spindle Asm LH
4	532157478	Spindle Asm RH
5	532124931	Bearing Race Thrust Harden
6	532121748	Washer 25/32 X 1-5/8 X 16 Ga
7	819272016	Washer 27/32 X 1-1/4 X 16 Ga
8	812000029	Ring Klip #t5304-75
9	532124937	Bearing Col Strg Blk
10	532154432	Link Drag Extended Cast
11	810040600	Washer Lock Hvy Hlcl Spr 3/8
13	532154779	Bearing Axle STLT/GT
15	873901000	Nut Lock Flange 5/8-11 Unc
17	532156546	Shaft Asm Strg
18	532057079	Washer Thrust 515x 750x 033
19	532124035	Support Shaft
20	532126684	Washer Shim 1/4 X 5/8 X 062
22	871200410	Screw Hex Socket 1/4-20 x 5/8
23	532127501	Shaft Asm Pittman
25	532154406	Bracket Steering
27	532136874	Gear Sector
29	817490612	Screw Thdrol 3/8-16x3/4 Ty-tt
32	532137347	Rod Tie Ball J Adj VGT
36	532155099	Bushing Strg
37	532152927	Screw
38	532124416	Insert Cap Strg Wh Au
39	819133808	Washer 13/32 X 2-3/8 X 8 Ga
40	532124701	Lock nut
41	532100711	Adaptor Wheel Strg
42	532155092	Boot Steering Shaft
43	532121749	Washer 25/32 X 1 1/4 X 16 Ga
44	532153720	Extension Steering Shaft LR/LT
46	532121232	Cap Spindle Fr Top Blk
47	532124836	Fitting Grease
51	873800500	Nut Lock Hex w/Ins 5/16-18
54	874780520	Bolt Fin Hex 5/16-18 Unc x 1-1/4
62	532156594	Kit, Steering Assembly Svc
63	874780616	Bolt Fin Hex 3/8-16unc x 1 Gr. 5
65	532154780	Spacer Axle
66	532154404	Bearing Arm Pittman
67	874781044	Bolt, Fin Hex 5/8-11 UNC x 2-3/4
68	532154429	Axle, Brace

NOTE: All component dimensions given in U.S. inches.
1 inch = 25.4 mm.

REPAIR PARTS

TRACTOR - MODEL NO. LTH145 (954140006C), PRODUCT NO. 954 14 00-06

SEAT ASSEMBLY



KEY PART NO. NO.

DESCRIPTION

1	532140838	Seat
2	532140551	Bracket Pivot Seat 8 720
3	874760616	Bolt Fin Hex 3/8-16unc X 1
4	819131610	Washer 13/32 X 1 X 10 Ga
5	532145006	Clip Push-In
6	873800600	Nut Hex w/Ins. 3/8-16 Unc
7	532124181	Spring Seat Cprsn 2 250 Blk Zi
8	817490616	Screw Thdrol 3/8-16 X 1 Ty-tt
9	819131614	Washer 13/32 X 1 X 14 Ga.
10	532155925	Pan, Seat
11	532120068	Knob, Seat
12	532121246	Bracket Mounting Switch

KEY PART NO. NO.

DESCRIPTION

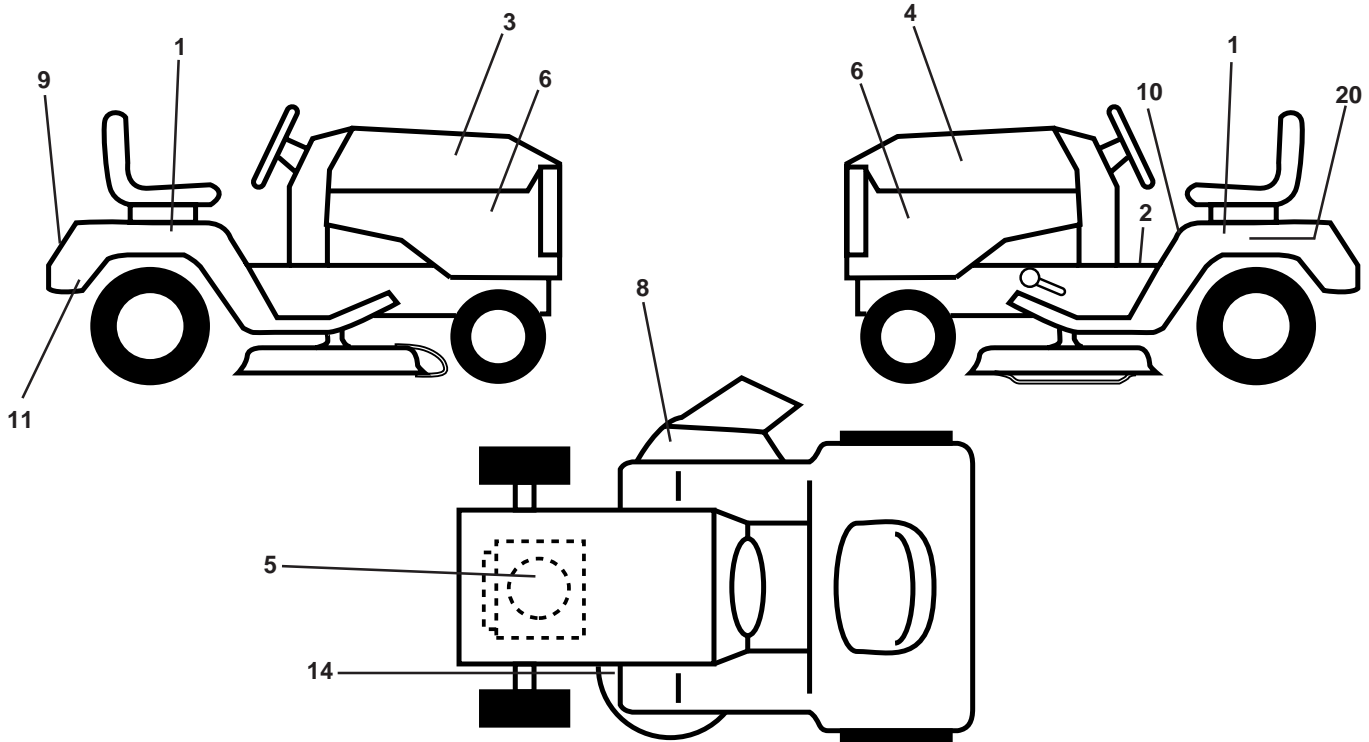
13	532121248	Bushing Snap Blk Nyl 50 Id
14	872050412	Bolt Rdhd Sqnk 1/4-20x1-1/2
15	532134300	Spacer Split 28x 96 Yel Zinc
16	532121250	Spring Cprsn 1 27 Blk Pnt
17	532123976	Nut Lock 1/4 Lge Flg Gr 5 Zinc
18	532124238	Cap Spring, Seat Blk 1.75 x 1.0
21	532153236	Bolt Shoulder 5/16-18 Unc
22	873800500	Nut Hex Lock W/Ins 5/16-18
24	819171912	Washer 17/32 X 1-3/16 X 12 Ga.
25	532127018	Bolt Shoulder 5/16-18 X 62

NOTE: All component dimensions given in U.S. inches.
1 inch = 25.4 mm

REPAIR PARTS

TRACTOR - MODEL NO. LTH145 (954140006C), PRODUCT NO. 954 14 00-06

DECALS



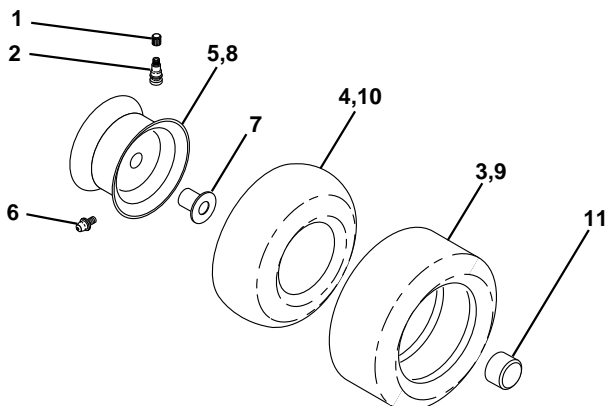
KEY NO.	PART NO.	DESCRIPTION
1	532157007	Decal Fender Auto Husq
2	532157032	Decal Oper Step Thru Eng/Fr
3	532157196	Decal Hood RH
4	532157197	Decal Hood LH
5	532272991	Decal HP Engine
6	532159713	Decal Pnl Side B&S
8	532137259	Decal Warning Mult-Language
9	532150617	Decal Fender Husq
10	532157140	Decal Fender Danger Eng/Fr
11	532142341	Decal Drawbar Contrl Mvt
14	532160396	Decal V-Belt Schematic

KEY NO.	PART NO.	DESCRIPTION
20	532145005	Decal Bat Dan/Psn
--	532154515	Pad Footrest LH STLT
--	532154516	Pad Footrest RH STLT
--	532138311	Decal Handle Lft Height Adjust
--	532162127	Manual Owner's (English)
--	532162128	Manual Owner's (French)

Available accessories not included with tractor:

--	MP42	Mulcher Plate
--	LSB42	42" Snow Blower
--	LC05	Wheel Weights
--	CH12	Tire Chains
--	LBD48	48" Snow Blade

WHEELS & TIRES

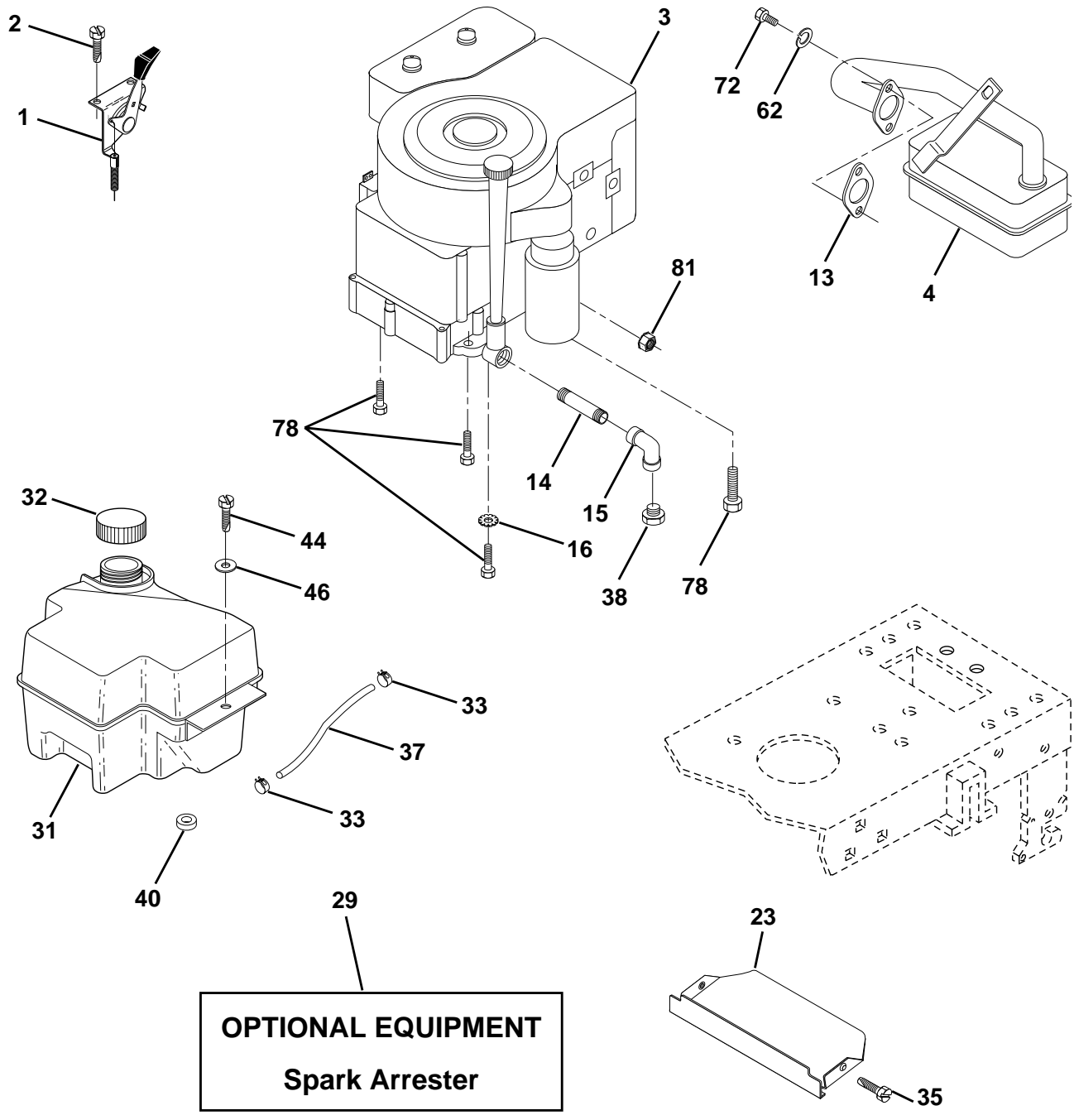


KEY NO.	PART NO.	DESCRIPTION
1	532059192	Cap Valve Tire
2	532065139	Stem Valve
3	532106222	Tire F Ts 15 X 6 0 - 6 Service
4	532059904	Tube Front (Service Item Only)
5	532138336	Rim Asm 6"front Silver Service
6	532124957	Fitting Grease (Front Wheel Only)
7	532124959	Bearing Flange (Front Wheel Only)
8	532138337	Rim Asm 8"rear Silver Service
9	532124635	Tire R Ts 18x8 5-8 C Service
10	532124926	Tube Rear (Service Item Only)
11	532104757	Cap Axle Blk 1 50 X 1 00
--	532144334	Sealant, Tire (10 oz. Tube)

NOTE: All component dimensions given in U.S. inches
1 inch = 25.4 mm

REPAIR PARTS

TRACTOR - MODEL NO. LTH145 (954140006C), PRODUCT NO. 954 14 00-06
ENGINE



REPAIR PARTS

TRACTOR - MODEL NO. LTH145 (954140006C), PRODUCT NO. 954 14 00-06

ENGINE

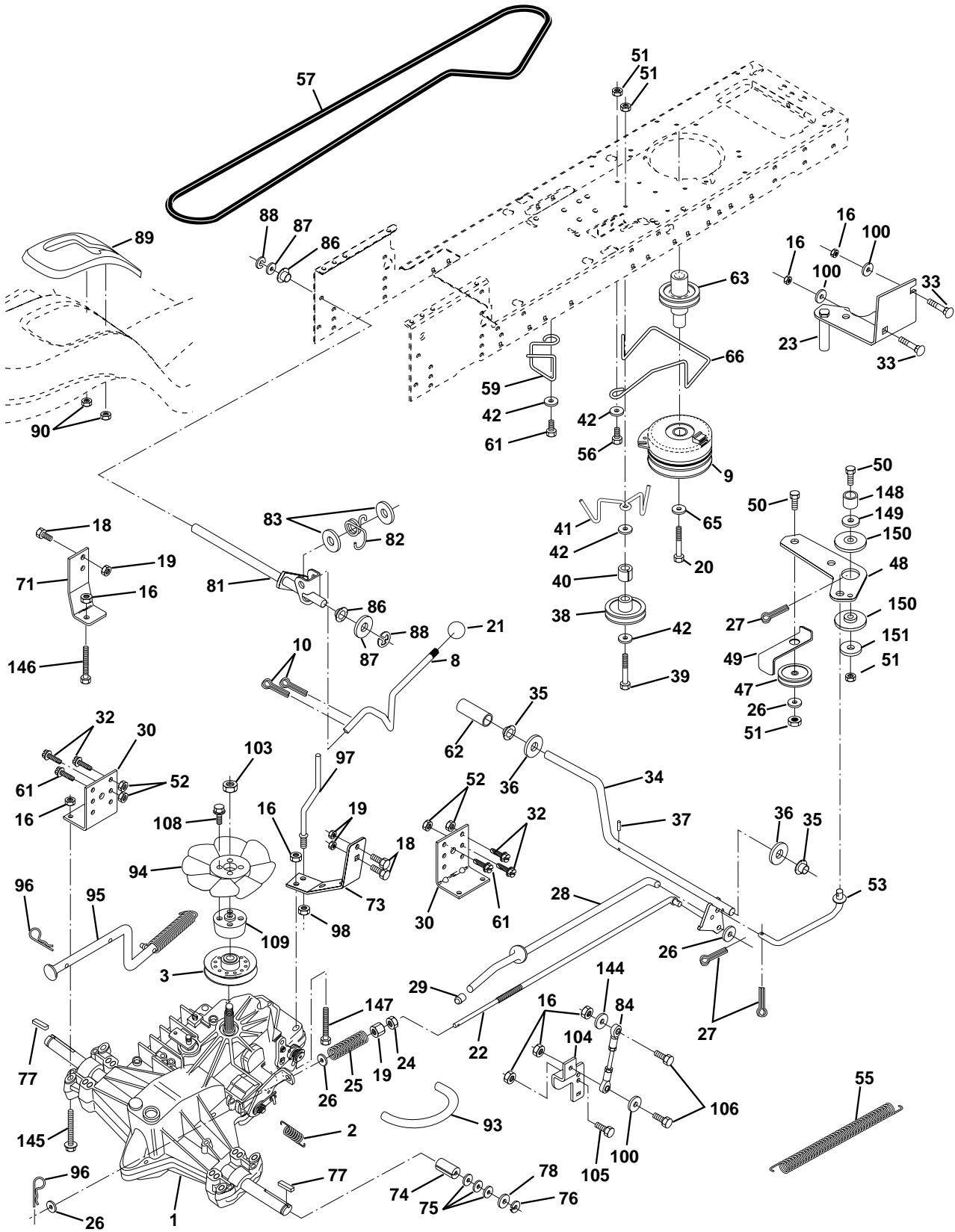
KEY NO.	PART NO.	DESCRIPTION
1	532140310	Control Th/ch 23 5 LH Flag
2	817720410	Screw Hex Thd Cut 1/4-20x5/8 T
3	-----	Engine B&S Model No. 287777
4	532137352	Muffler LT B&S 14.5
13	532272293	Gasket Eng 1 313 Id Tin Plated
14	813280324	Nipple Pipe 3/8 Npt X 3"
15	813200300	Elbow Std 90 Degree 3/8-18 Npt
16	811050600	Washer Lock Ext Tooth 3/8
23	532159880	Shield Brn/Dbr Guard
29	532137180	Kit Spark Arrestor (Flat Scrn)
31	532161911	Tank Fuel Front 2 00
32	532140527	Cap Asm Fuel W/sym Vented
33	532123487	Clamp Hose Black
35	817490512	Screw
37	532137040	Line Fuel 20"
38	-----	Plug Oil Drain (Order From Engine Manufacturer)
40	532124028	Bushing Snap Nyl Blk Fuel Line
44	817490412	Screw Hexwsh Thdrol 1/4-20x3/4
46	819091416	Washer 9/32 X 7/8 X 16 Ga
62	810040500	Washer Lock Hvy Hlcl Spr 5/16
72	871070512	Screw Hexhd Cap 5/16-18x 3/4
78	817490620	Screw Thdrol 3/8-16x1-1/4 TYTT
81	532128861	Nut Flange 1/4-20 Starter Nut

NOTE: All component dimensions given in U.S. inches
1 inch = 25.4 mm

REPAIR PARTS

TRACTOR - MODEL NO. LTH145 (95140006C) PRODUCT NO. 954-14 00-06

DRIVE



REPAIR PARTS

TRACTOR - MODEL NO. LTH145 (95140006C) PRODUCT NO. 954-14 00-06

DRIVE

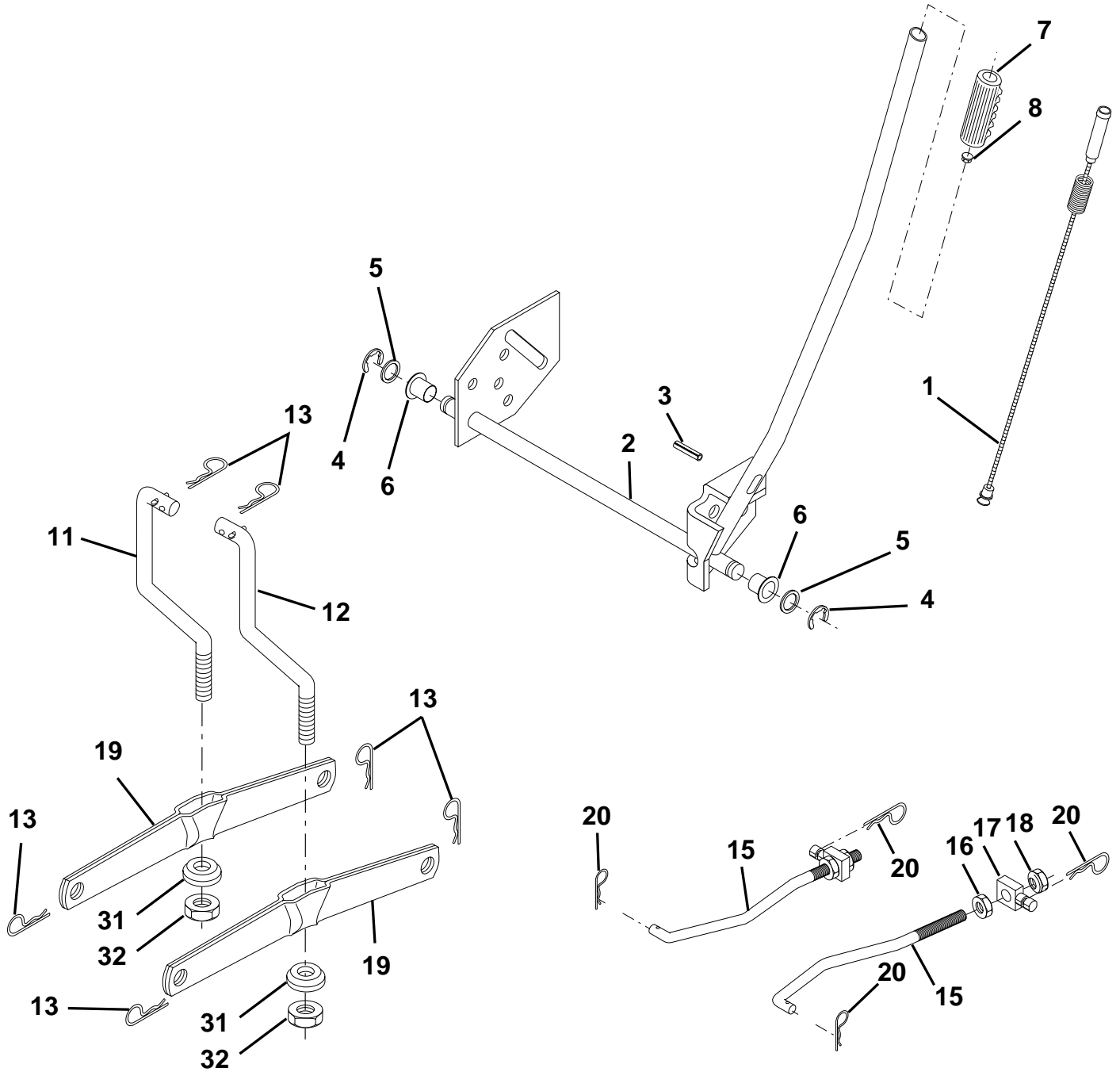
KEY PART NO. NO.	DESCRIPTION	KEY PART NO. NO.	DESCRIPTION
1 532140607	Transaxle (See Breakdown) Hydro Gear, Model No. 310-0500	62 532124872	Cover, Pedal
2 532142431	Spring, Return, Brake	63 532161400	Pulley, Clutch Electric EVX
3 532144698	Pulley, Transaxle	65 810040700	Washer
8 532154792	Rod Shift Fender STLT	66 532161488	Keeper Belt Engine Hydro
9 532145028	Clutch, Elect. EVX LT Mag 5217-2	71 532141417	Strap Torque Lh Hydro
10 876020416	Pin Cotter 1/8 x 1 CAD	73 532141418	Strap Torque Rh Hydro
16 873800500	Nut Lock Hex W/Ins. 5/16-18 Unc P	74 532121199	Spacer, Split
18 874780616	Bolt Fin Hex 3/8-16 Unc x 1 Gr. 5	75 532121749	Washer 25/32 x 1-1/4 x 16 Gauge
19 873800600	Nut Lock Hex W/Wsh 3/8-16 Unc	76 812000001	E-Ring
20 532150280	Bolt Hex 7/16-20 x 4-1/4 Ga. 1.38	77 532123583	Key, Square
21 532121274	Knob, Duckhead 1/2-13	78 532121748	Washer 25/32 x 1-5/8 x 16 Gauge
22 532145627	Rod, Brake Hydro	81 532161081	Shaft Asm. Cross Hydro
23 532154978	Bracket, Asm Clutch Mtg EVX	82 532123782	Spring Torsion T/A
24 873350600	Nut	83 819171216	Washer 17/32 x 3/4 x 16 Ga.
25 532106888	Spring, Brake Rod	84 532141423	Rod, Tie Hydro
26 819131316	Washer	86 532157480	Bushing
27 876020412	Pin Cotter 1/8 x 3/4 CAD.	87 819212016	Washer 21/32 x 1-1/4 x 16 Ga.
28 532145204	Rod, Parking Brake	88 812000008	Ring Klip #5304-62
29 532071673	Cap, Parking Brake	89 532158388	Console, Shift
30 532130807	Bracket, Transaxle	90 532124346	Nut, Self-Thd Wsh-hd 1/4 Zinc
32 874760512	Bolt Hex Hd 5/16-18 Unc x 3/4	93 532142564	Line Fuel Hydro 4"
33 872140506	Bolt Rdhd Sqnk 5/16-18 UNC x 3/4	94 532140462	Fan, Hydro 7"
34 532155071	Shaft, Foot Pedal	95 532144643	Control Asm Bypass Hydro
35 532120183	Bearing, Nylon	96 532124788	Retainer Spring 1" Zinc/Cad
36 819211616	Washer	97 532144201	Keeper Belt Rh Hydro
37 532124963	Pin, Roll	98 873510600	Nut Keps Hex 3/8-16 Unc
38 532123674	Pulley, Idler, Flat	100 819111216	Washer 11/32 x 3/4 x 16 Ga.
39 874760644	Bolt	103 873940800	Nut Nylon Insert 1/2-20 Unf.
40 532124965	Spacer, Split	104 532141421	Arm, Control Hydro
41 532154777	Keeper, Belt Idler	105 871070516	Screw Cap Hex 5/16 x 18 x 1
42 819131312	Washer 13/32 x 13/16 x 12 Gauge	106 874780520	Bolt Fin Hex 5/16-18 Unc x 1-1/4
47 532127783	Pulley, Idler, V-Groove	108 817541026	Screw Hex Wh Hd #10-24 x
48 532154407	Bellcrank Clutch Grnd Drv STL	109 532145098	Adaptor Fan Hydro LT Hyd Alum
49 532123205	Retainer, Belt	144 819111016	Washer 11/32 x 5/8 x 16 Ga
50 874760624	Bolt	145 874490540	Bolt Hex Flghd 5/16-189 x Gr. 5
51 873680600	Nut	146 874490536	Bolt Hex Flghd 5/16-18 x 2-1/4
52 873680500	Nut Crownlock 5/16-18	147 874490524	Bolt Hex Hghd 5/16-18 x 1/1/2
53 532105710	Link, Clutch	148 532159103	Spacer
55 532105709	Spring, Return, Clutch	149 532122052	Spacer Retainer Pm Mower
56 874760620	Bolt Fin Hex 3/8-16 UNC x 1-1/4	150 532150935	Bushing Nylon Collered
57 532161850	V-Belt, Ground Drive	151 81933210	Washer 11/32 x 2 x 10 Ga.
59 532140312	Keeper, Center Span		
61 817490612	Screw Thdrol. 3/8-16 x 3/4 Ty. TT		

NOTE: All component dimensions give in U.S. inches.
1 inch = 25.4 mm.

REPAIR PARTS

TRACTOR - MODEL NO. LTH145 (954140006C), PRODUCT NO. 954 14 00-06

MOWER LIFT



REPAIR PARTS

TRACTOR - MODEL NO. LTH145 (954140006C), PRODUCT NO. 954 14 00-06

MOWER LIFT

KEY NO.	PART NO.	DESCRIPTION
1	532159460	Wire Asm Inner/Spring W/plunger
2	532159471	Shaft Asm Lift
3	532105767	Pin Groove
4	812000002	E Ring #5133-62
5	819211621	Washer PLTD 21/32 X 1 X 21ga
6	532120183	Bearing Nylon Blk 629 Id
7	532109413	Grip Handle Bicycle
8	532124526	Button Plunger Black
11	532139865	Link Lift LH
12	532139866	Link Lift RH
13	532124670	Retainer Spring
15	532127218	Link Front
16	873350800	Nut Jam Hex 1/2-13 Unc
17	532130171	Trunnion Blk Zinc
18	873800800	Nut Lock W/wsh 1/2-13unc
19	532139868	Arm Suspension Rear
20	532124660	Spring, Retainer
31	532140302	Bearing Pvt. Lift Spherical
32	873540600	Nut Crownlock 3/8-24

NOTE: All component dimensions given in U.S. inches
1 inch = 25.4 mm

REPAIR PARTS

TRACTOR - MODEL NO. LTH145 (954140006C) PRODUCT NO. 954 1400-6

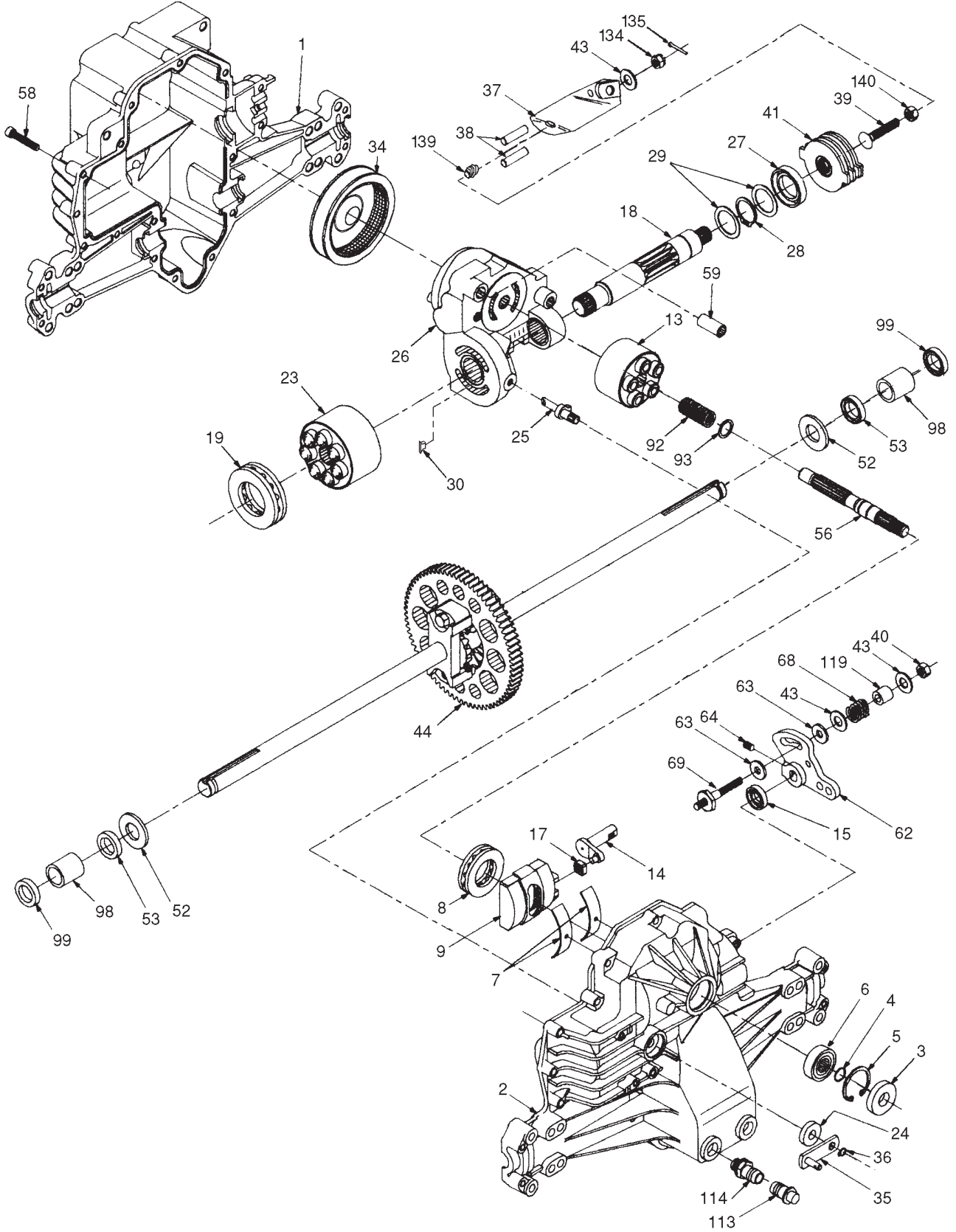
MOWER DECK

KEY NO.	PART NO.	DESCRIPTION	KEY NO.	PART NO.	DESCRIPTION
1	532162809	Housing Asm Mower 42"	68	532144959	V-Belt Mower
2	872140506	Bolt Rdhd Sqnk 5/16-18unc X3/4	83	532120958	Washer Sintered
3	532138017	Bracket Asm Fr Sway Bar 38/42	84	532156084	Keeper Belt Idler
4	532138440	Bracket Asm Deck 42"sway Bar	85	872140618	Bolt Carriage 3/8-16 x 2-1/4 Gr.5
5	532124670	Retainer Spring	90	874760616	Bolt Fin Hex 3/8-16unc X 1
6	532130832	Arm Suspension Rear	91	532132274	Bracket Asm Noseroller LH
8	532850857	Bolt 3/8-24x1 25 Gr8 Patched	92	873800600	Nut Lock Hex w/ins. 3/8-16 UNC
9	810030600	Washer Lock Hvy 3/8 Unplated	93	819171416	Washer 17/32 X 7/8 X 16 Ga
10	532140296	Washer Hard Blade Mower Vented	94	532132264	Roller Nose 38 & 42
11	532134149	Blade Mower Mulching 42"	95	532132273	Bracket Asm Noseroller RH
12	532129895	Bearing Ball #6204 (Mandrel)	101	532136420	Cover Mulching 42" Blk
13	532137645	Shaft Asm W/lower Bearing	102	871161010	Screw
14	532128774	Housing Mandrel Vented(machd)	103	819061216	Washer #10
15	532110485	Bearing Ball Mandrel	104	810071000	Washer Lock #10
16	532140329	Stripper Round Mower	105	532160793	Latch Asm Bagger
17	872110618	Bolt Rdhd Sqnk 3/8-16 X 2-1/4	106	532125004	Nut Weld .327/.304 #10-24
18	872140505	Bolt Carr 5/16-18 X 5/8	116	532137644	Bolt Shld
19	532132827	Bolt Shoulder	117	532133957	Wheel Gauge
20	532159770	Baffle Vortex 42	118	873930600	Nut Centerlock 3/8 - 16 UNC
21	873680500	Nut Crown Lock 5/16-18	119	819121414	Washer 3/8 x 7/8 x 14 Ga.
22	532134753	Stiffener Bracket 42"deck	125	876020816	Cotter Pin
23	532131267	Bracket Deflector Mower 42"	128	532153390	Washer Felt
24	532105304	Cap Sleeve 80x 112 Blk Mower	129	819131312	Washer 13/32 x 13/16 x 12 Ga.
25	532123713	Spring Torsion Deflector 2 52	130	874780616	Bolt Fin Hex 3/8-16 UNC x 1 Gr. 5
26	532110452	Nut Push Phos & Oil	131	872140608	Bolt Rdhd Sqnk 3/8-16 x 1
27	532130968	Shield Deflector Mower 42" Blk	132	819132203	Washer 13/32 x 1-3/8 x 3 Ga.
28	819111016	Washer 11/32 X 5/8 X 16 Ga	133	872110622	Bolt RDHD 3/8-16 UNC x 2-3/4 Gr.5
29	532131491	Rod Hinge 42"6 75 Wlg	134	532156941	Pin Head Rivet
30	532157722	Screw Thdrol Washer Head	135	532159765	Bracket Asm Whl Ga Rear LH 42"
31	532129963	Washer Spacer Mower Vented	136	532162648	Bar Adjusting Gauge Wheel
32	532153535	Pulley Mandrel 42"	137	872110505	Bolt Carr 5/16-18 x 5/8
33	532137266	Nut 9/16top Lock Flng Cntr	138	532159763	Bracket Asm Whl Ga Rear Rh 42"
35	532133835	Fastner Christmas Tree	139	532159767	Bracket Asm Whl Ga Front Rh 42"
36	532131494	Pulley Idler Flat 3 060	140	532159768	Bracket Asm Whl Ga Front Rh 42"
37	819131316	Washer 13/32 X 13/16 X 16 Ga	--	532162859	Deck Serv 42" Elec Vent (Standard Deck - Order Nose Roller, Gauge Wheel and Mulcher Plate components separately Key Nos. 90-95, 101-106 and 111-121)
38	532132823	Spacer Spring Stop Idler	--	532130794	Mandrel Assembly (Includes Key Numbers 8-10, 12-15, 31 and 33)
40	873680600	Nut Lock 3/8-16 Unc			
44	532140088	Guard Mandrel LH Black			
46	532137729	Screw Thdrol 1/4-20x5/8			
54	532133943	Washer Hardened			
55	532140084	Arm Idler 42"mower LT/YT			
56	532122052	Spacer Retainer Pm Mower			
59	532141043	Guard, Belt			
61	532131950	Spring Ext. Elect			

NOTE: All component dimensions give in U.S. inches.
1 inch = 25.4 mm.

REPAIR PARTS

TRACTOR - MODEL NO. LTH145 (954140006C), PRODUCT NO. 954 14 00-06
HYDRO GEAR TRANSAXLE - MODEL NUMBER 310-0500



REPAIR PARTS

TRACTOR - MODEL NO. LTH145 (954140006C), PRODUCT NO. 954 14 00-06

HYDRO GEAR TRANSAXLE - MODEL NUMBER 310-0500

KEY PART NO. NO.	DESCRIPTION	KEY PART NO. NO.	DESCRIPTION		
1	532142986	Housing, Lower	40	532150778	Locknut, Hex 5/16-24 UNJC
2	532142987	Assembly, Upper Housing	41	532142958	Brake Rotor/Stator Kit
3	532142932	Seal, Lip	43	532142884	Washer 7/16 x 7/8 x .060
4	532142928	Ring, Wire Retaining	44	532142990	Differential Assembly
5	532142933	Ring, Retaining	52	532142991	Washer 3/4 x 1.5 x .13
6	532142934	Bearing, Shaft Ball	53	532142961	Seal .75 x 1.25 x .250
7	532142935	Bearing, Cradle	56	532142963	Shaft, Input
8	532150771	Bearing, Thrust 30 x 52 x 13	58	532142964	Bolt 1/4-20 x 1.38
9	532142937	Swashplate, Variable	59	532142965	Pin .5 OD x .43 ID x .750
13	532142938	Block, Cylinder Assembly	62	532142966	Arm, Control
14	532142939	Arm, Trunnion	63	532142967	Puck, Dampener
15	532142940	Seal, Lip	64	532142920	Set Screw
17	532142941	Guide, Slot	68	532142969	Spring
18	532150772	Shaft, Motor	69	532144610	Stud 5/16-24
19	532150773	Bearing, Thrust 42 x 68 x 16	92	532142977	Spring, Block
23	532142944	Block, Cylinder Assembly	93	532142978	Washer, Block Thrust
24	532142945	Seal, Lip 10 x 25 x 7	98	532142993	Sleeve Bearing
25	532142946	Actuator, Bypass	99	532142976	Seal, Wiper
26	532150774	Center Section Assembly Kit	113	532142917	Cap, Vent Assembly
27	532142948	Seal, Lip 26 x 42 x 8	114	532142918	Fitting, O-Ring Assembly
28	532142949	Ring, Retaining	119	532142980	Spacer
29	532142950	Washer 26 x 35 x 1	134	532144607	Nut, Castle 5/16-24
30	532150787	Nut, Jam	135	532144608	Pin, Cotter
34	532142951	Oil Filter Element	139	532150775	Spring, Compression
35	532142952	Arm, Bypass	140	532150776	Nut, Hex 5/16-24
36	532142953	Ring, Retaining			
37	532142954	Arm, Actuating			
38	532142955	Pin, Actuating			
39	532150777	Bolt 5/16-24 x 1-3/4			

NOTE: All component dimensions given in U.S. inches
1 inch = 25.4 mm