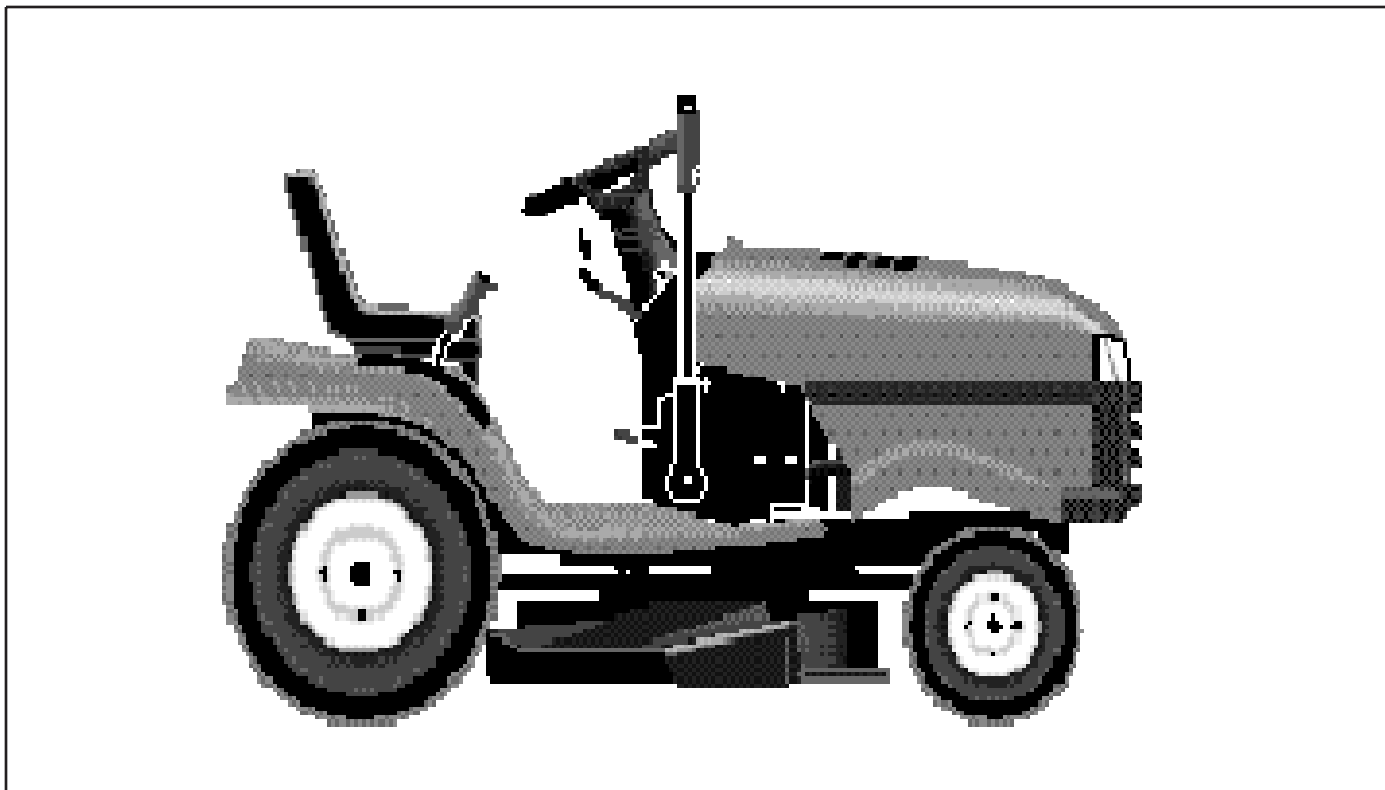


LTH 130



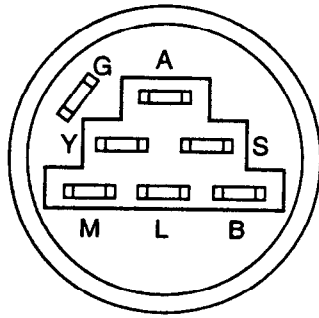
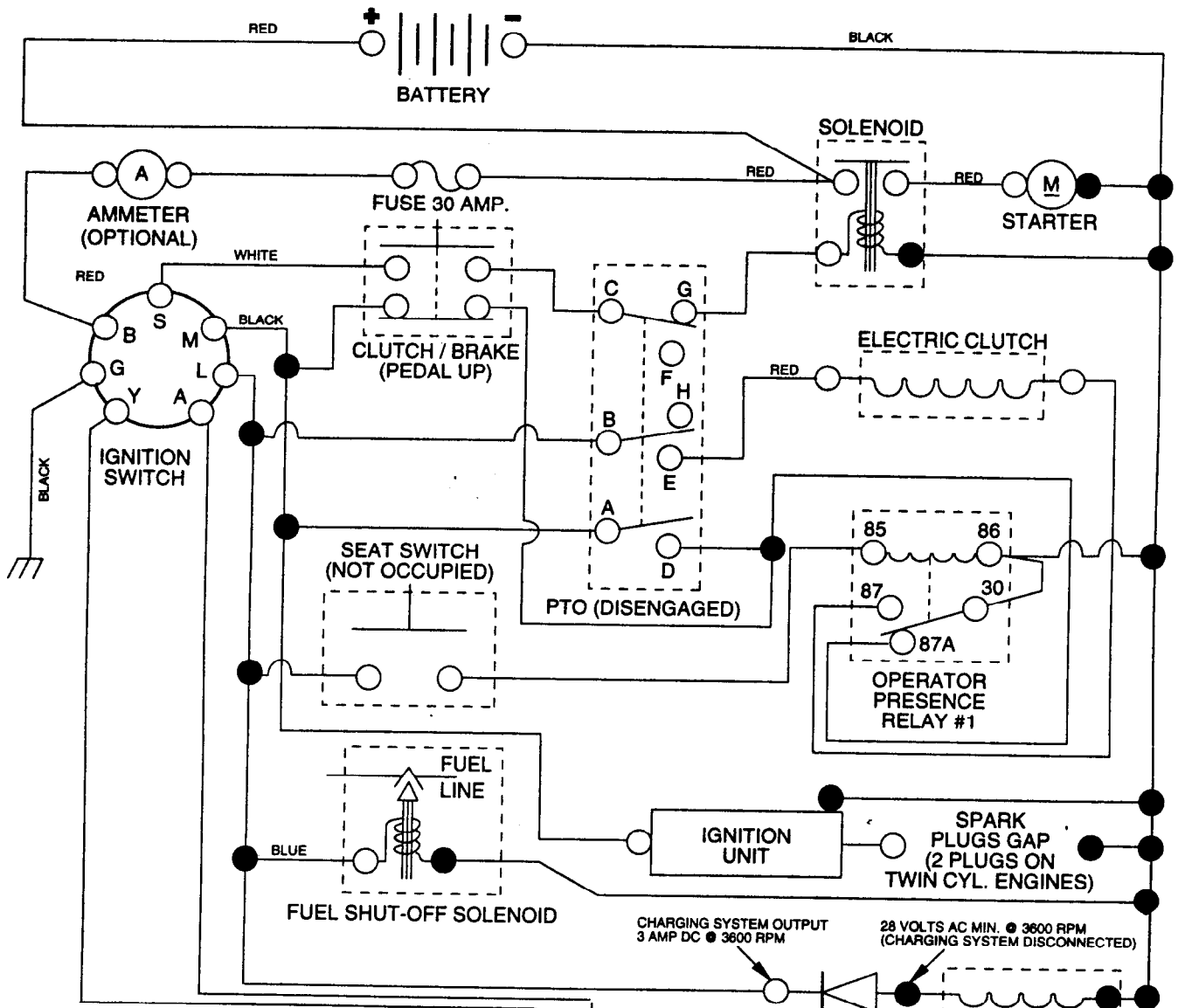
2.1998
PARTS LISTING

954140005C

REPAIR PARTS

TRACTOR - MODEL NO. LTH130 (954140005E), PRODUCT NO. 954 14 00-05

SCHEMATIC

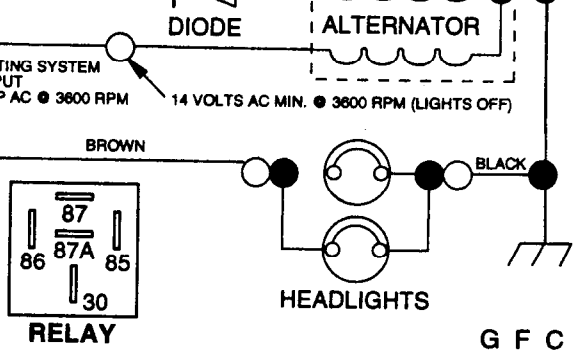


IGNITION SWITCH

POSITION	CIRCUIT	"MAKE"
OFF	G + M + L	NONE
RUN/LIGHT	B + L	A + Y
RUN	B + L	NONE
START	B + L + S	NONE

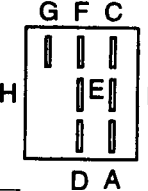
NOTE
 YOUR TRACTOR IS EQUIPPED WITH A SPECIAL ALTERNATOR SYSTEM. THE LIGHTS ARE NOT CONNECTED TO THE BATTERY, BUT HAVE THEIR OWN ELECTRICAL SOURCE. BECAUSE OF THIS, THE BRIGHTNESS OF THE LIGHTS WILL CHANGE WITH ENGINE SPEED. AT IDLE THE LIGHTS WILL DIM. AS THE ENGINE IS SPEEDED UP, THE LIGHTS WILL BECOME THEIR BRIGHTEST.

WIRING INSULATED CLIPS
 NOTE: IF WIRING INSULATED CLIPS WERE REMOVED FOR SERVICING OF UNIT, THEY SHOULD BE REPLACED TO PROPERLY SECURE YOUR WIRING.



RELAY

POSITION	CIRCUIT
OFF	C + G, B + H
ON	C + F, B + E, A + D



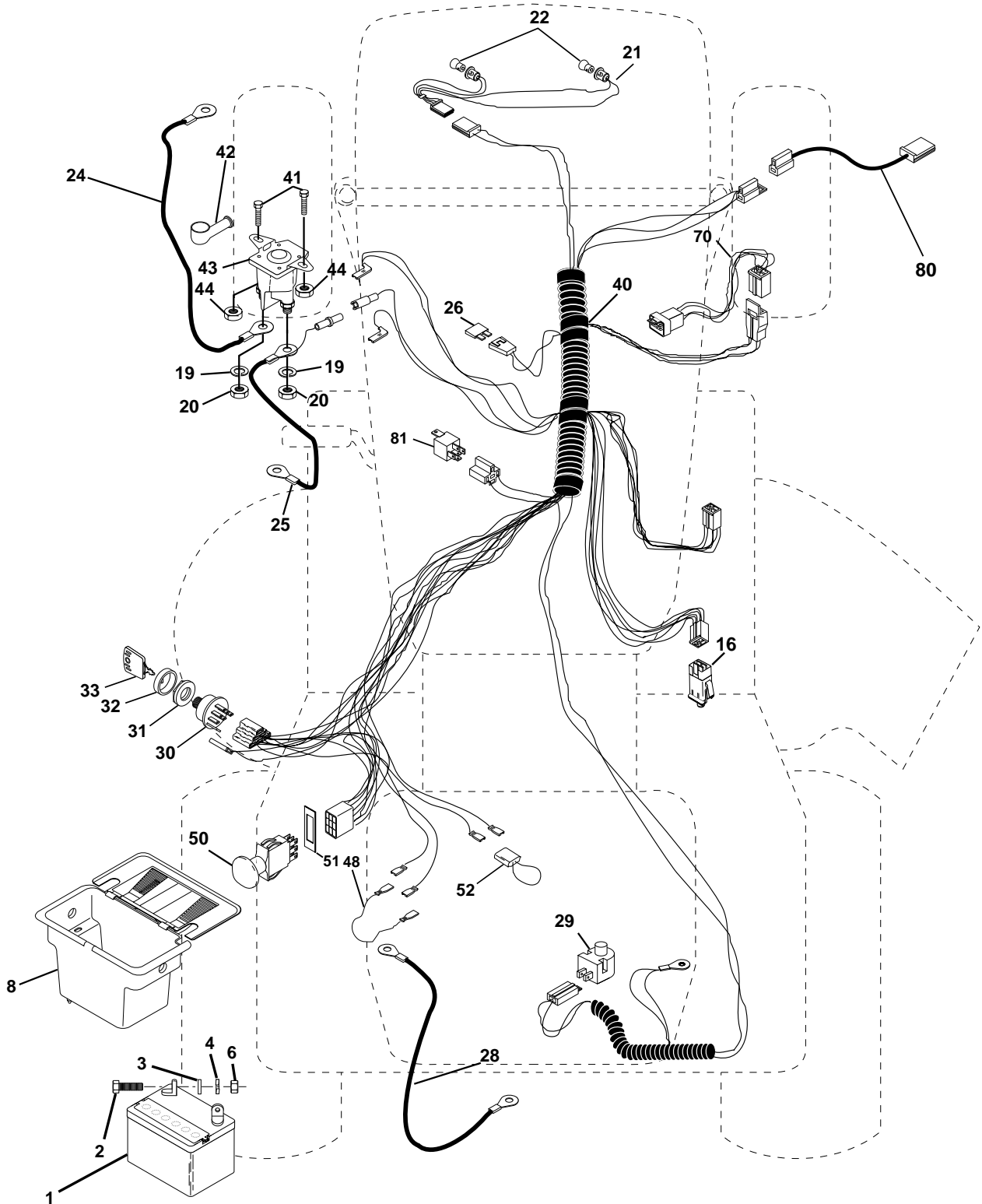
PTO SWITCH

● NON-REMOVABLE CONNECTIONS
 ○ REMOVABLE CONNECTIONS

REPAIR PARTS

TRACTOR - MODEL NO. LTH130 (954140005C), PRODUCT NO. 954 14 00-05

ELECTRICAL



REPAIR PARTS

TRACTOR - MODEL NO. LTH130 (954140005C), PRODUCT NO. 954 14 00-05

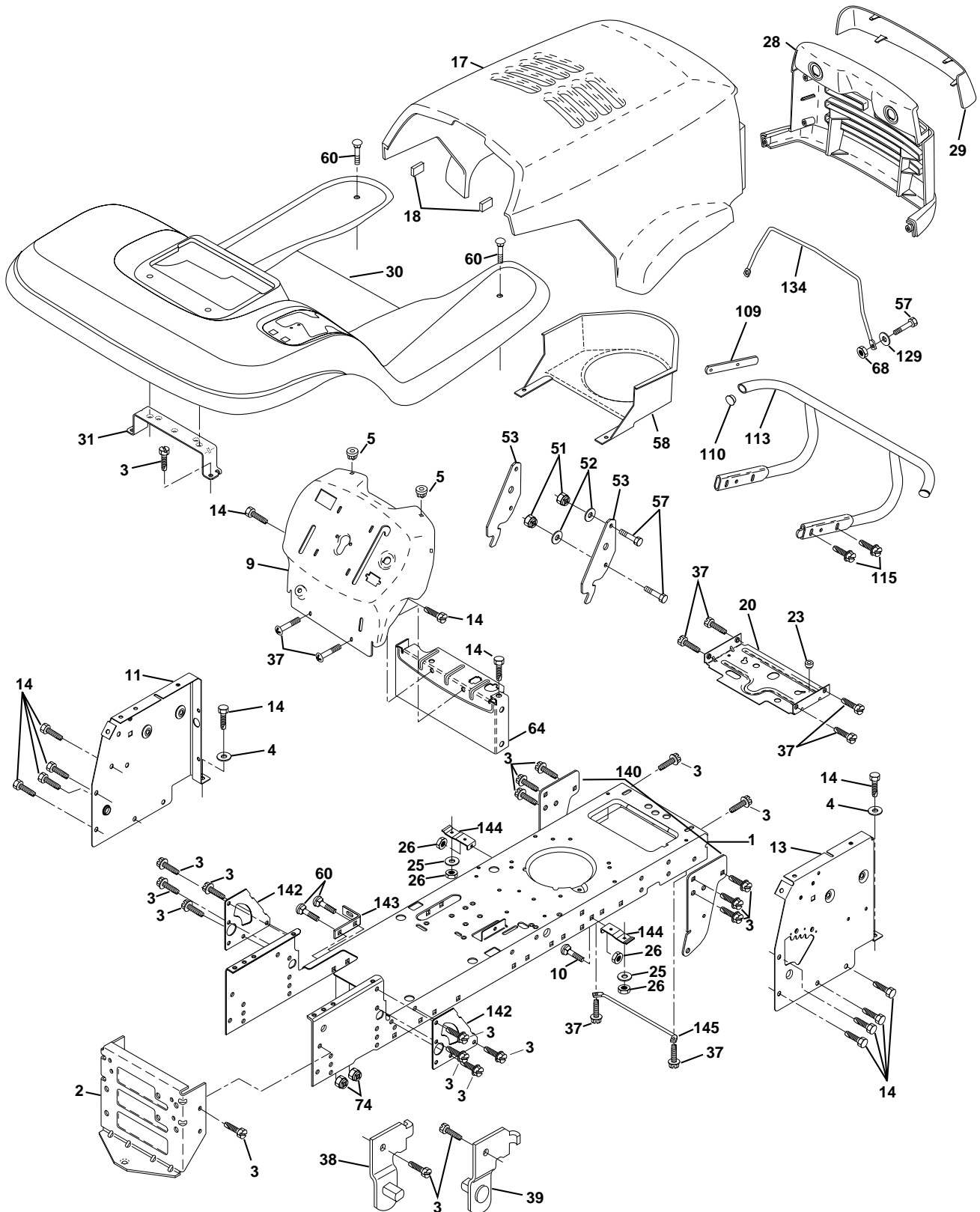
ELECTRICAL

KEY NO.	PART NO.	DESCRIPTION
1	532144925	Battery 12 Volt 25 AMP
2	874760412	Bolt Hex Hd 1/4-20unc X 3/4
3	819091016	Washer 9/32 X 5/8 X 16 Ga.
4	810040400	Washer Lock Hvy Helical 1/4
6	873220400	Nut Fin Hex 1/4-20 Unc
8	532156417	Case Battery Mech Hinge
16	532153664	Switch Interlock Push-In
19	810090400	Washer Lock 1/4
20	873350400	Nut Jam Hex 1/4-20 Unc
21	532136850	Harness Asm Light W/4152j
22	532004152	Bulb Light #1156
24	532124780	Cable Battery 6 Ga 11" red
25	532146147	Cable Battery 6 Ga 44" red w/16 wire
26	532108824	Fuse 30 AMP Auto Green
28	532124773	Cable Ground 6 Ga 12" black
29	532160784	Switch Plunger Normal OP Olive
30	532140301	Switch Ign 4 pos w/lights
31	532124211	Nut Ignition
32	532141226	Cover Sw Ignition
33	532122147	Key Ign Modelled Generic
40	532160720	Harness Ign.
41	871110408	Bolt Blk Fin Hex 1/4 - 20 x 1/2
42	532131563	Cover Terminal Red
43	532145673	Solenoid
44	873640400	Nut Keps Hex 1/4-20 Unc
48	532140844	Adapter Ammeter Rectangular
50	532154959	Switch PTO 3PDT Black Delta 96
51	532140405	Ring Retainer PTO
52	532141940	Protection Wire Loop
70	532142621	Harness, Eng. kohl Cmd-L Dual
80	532146685	Harness Clutch EVX
81	532109748	Relay Asm

NOTE: All component dimensions given in U.S. inches.
1 inch = 25.4 mm.

REPAIR PARTS

TRACTOR - MODEL NO. LTH130 (954140005C), PRODUCT NO. 954 14 00-05
CHASSIS AND ENCLOSURES



REPAIR PARTS

TRACTOR - MODEL NO. LTH130 (954140005C), PRODUCT NO. 954 14 00-05

CHASSIS AND ENCLOSURES

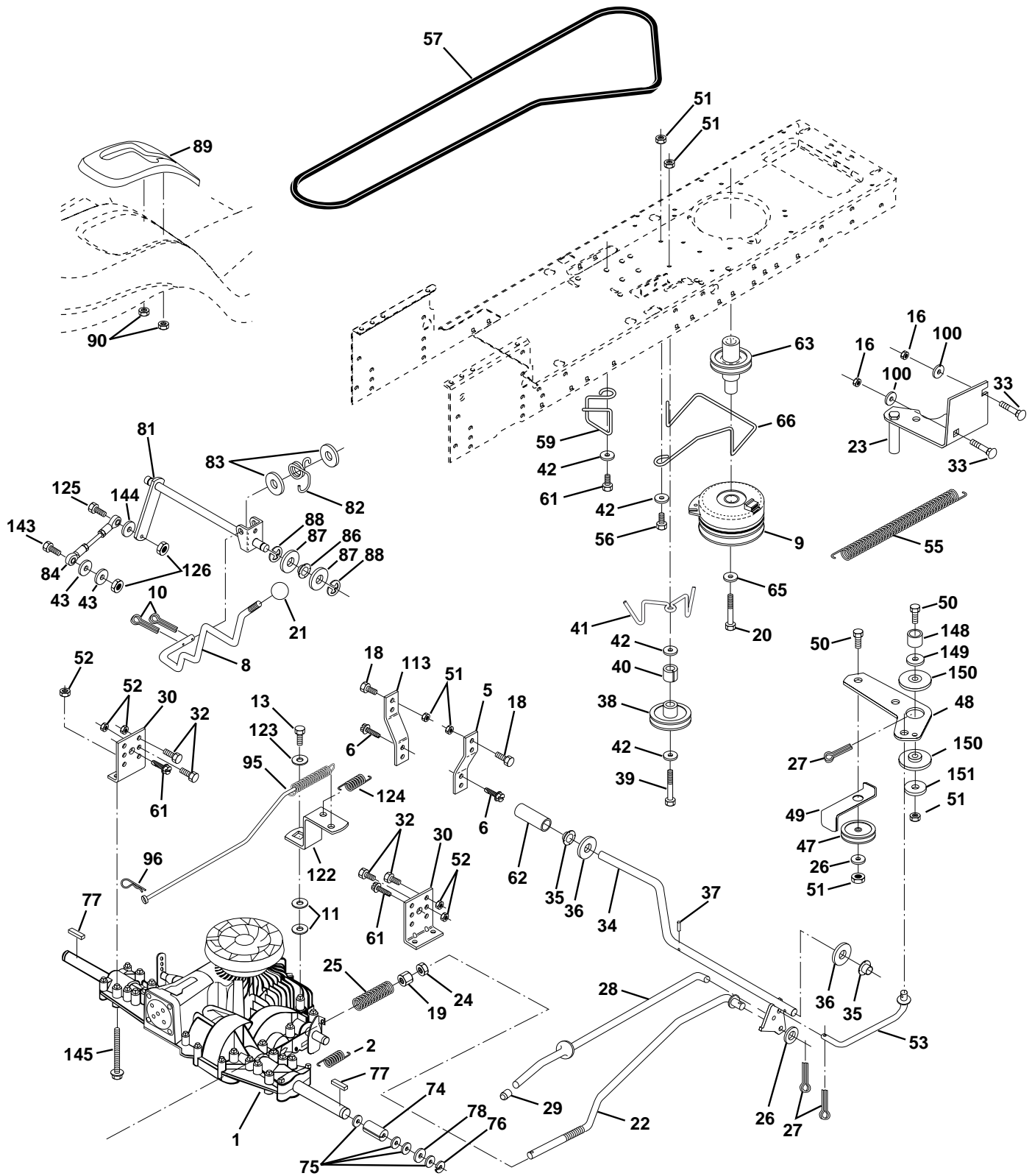
KEY NO.	PART NO.	DESCRIPTION
1	532159527	Chassis Weldment
2	532140356	Drawbar, Stretch
3	817490612	Screw Thdrol 3/8-16x3/4 Ty-tt
4	819131216	Washer 13/32 x 3/4 x 16 Ga.
5	532155272	Bumper Hood/Dash
9	532157409	Dash P/L M, N/AMM N/HM Grey
10	872140608	Bolt Carriage 3/8-16 x 1
11	532155927	Panel Dash Lh
13	532157262	Panel Dash Rh
14	817490608	Screw Thdrol 3/8-16x1/2 Ty-tt
17	532156051	Hood LT/PL Husqvarna
18	532126938	Bumper Hood
20	532156437	Plate Mtg Battery Fuel Tank Fr
23	532124028	Bushing
25	819131312	Washer 13/32 X 13/16 X 12 Ga
26	873800600	Nut Lock Hex W/Ins 3/8-16 Unc
28	532149776	Grille LT/PL Husqvarna
29	532149777	Lens LT/PL Husqvarna
30	532156489	Fender Footrest STLT Pnt
31	532139976	Bracket Support Fender
37	817490508	Screw Thdrol 6/16-18 x 1/2 TYT
38	532139886	Bracket, Asm. Pivot, L.H., Mower Rear
39	532139887	Bracket, Asm. Pivot, R.H., Mower Rear
51	873800400	Nut Lock Hex W/Ins 1/4-20
52	819091416	Washer 9/32 x 7/8 x 16 Ga.
53	532150067	Bracket Pnt. Pick off LT/PL Husqvarna
57	874780412	Bolt Hex 1/4-20 x 3/4
58	532150127	Air Duct Engine P/L
60	872140606	Bolt Rdhd Sqnk 3/8-16unc x 3/4
64	532154798	Dash Lower STLT
68	873510400	Nut Keps Hex 1/4-20 UNC
71	873680400	Nut Crownlock 1/4-20 UNC
74	873680600	Nut Crownlock 3/8-16 UNC
109	532141461	Bracket Extension Bumper
110	532143679	Plug Plastic
113	532150300	Bumper Asm.
115	817490620	Screw Thdrol 3/8-16 x 1-1/4
122	532157301	Bracket Shift Stlt
123	532152927	Screw TT #10-32.5.3/8 Flange
129	819091016	Washer 9/32 x 5/8 x 16 Ga.
134	532160219	Rod Support Hood LT/PL Husq.
140	532158418	Bracket Suspension Front
142	532156095	Plate Reinforcement STLT
143	532154966	Bracket Swaybar Chassis
144	532154207	Bracket Pnt Footrest STLT
145	532156524	Rod Pivot Chassis/Hood
147	874760412	Bolt Hex Hd 1/4-20 UNC x 3/4
--	532005479	Plug Button

NOTE: All component dimensions given in U.S. inches
1 inch = 25.4 mm

REPAIR PARTS

TRACTOR - MODEL NO. LTH130 (954140005C), PRODUCT NO. 954 14 00-05

DRIVE



REPAIR PARTS

TRACTOR - MODEL NO. LTH130 (954140005C), PRODUCT NO. 954 14 00-05

DRIVE

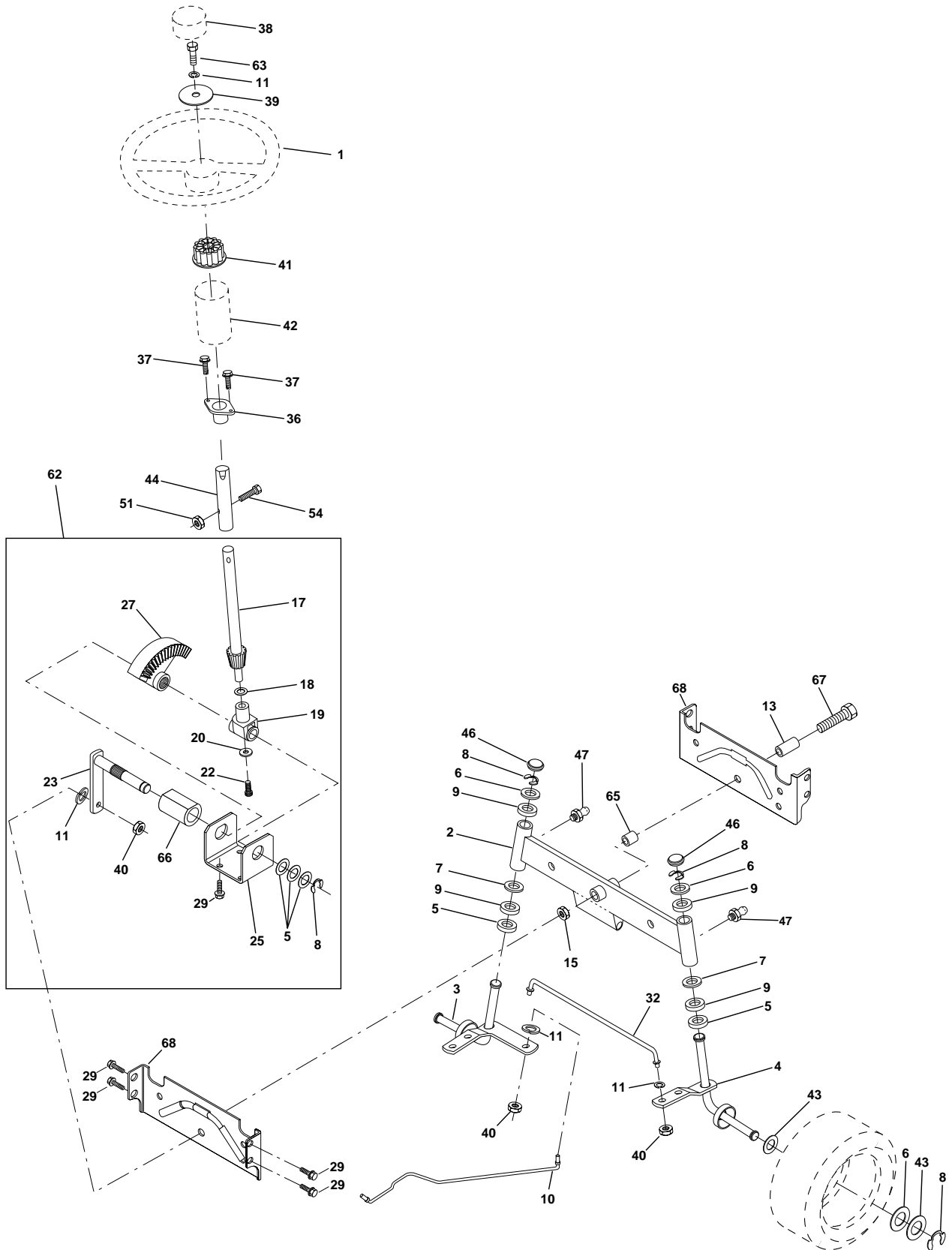
KEY PART NO. NO.	DESCRIPTION	KEY PART NO. NO.	DESCRIPTION
1 - - - - -	Transaxle (See Breakdown) Peerless Model 205-035B	50 874760624	Bolt
2 532146682	Spring, Return Brake	51 873680600	Nut Crownlock 3/8-16 UNC
5 532121520	Strap Torque	52 873680500	Nut, Crownlock 5/16-18 Unc
6 817490512	Screw Thdrol 5/16-18 x 3/4	53 532105710	Link, Clutch
8 532154792	Rod Shift Hydro LT	55 532105709	Spring, Return, Clutch
9 532145028	Clutch Elect	56 874760620	Bolt Hex 3/8-16 x 1-1/4
10 876020416	Pin Cotter 1/8 x 1 CAD	57 532156971	V-Belt, Ground Drive
11 532105701	Washer Plate Shf .388 Sq Hole	59 532140312	Keeper, Center Span
13 874550412	Bolt 1/4-28 Unf Gr. 8 W/Patch	61 817490612	Screw Thdrol. 3/8-16 x 3/4 Ty. TT
15 874490544	Bolt Hex Flghd 5/16-18 Gr. 5	62 532124872	Cover, Pedal
16 873800500	Nut Lock Hx w/Ins 5/16-18 UNC	63 532145868	Pulley, Engine
18 874780616	Bolt Fin Hex 3/8-16 Unc x 1 Gr. 5	65 810040700	Washer
19 873800600	Nut Lock Hex W/Wsh 3/8-16 Unc	66 532154778	Keeper Belt Engine
20 532150280	Bolt Hex 7/16-20 x 4-1/4 5 Ga. 1.38	74 532156972	Spacer, Axle PVST
21 532121274	Knob	75 532121749	Washer 25/32 x 1-1/4 x 16 Gauge
22 532130804	Rod, Brake	76 812000001	E-Ring
23 532154978	Bracket Asm Mtg. Cl	77 532123583	Key, Square
24 873350600	Nut, Hex Jam 3/8-16 Unc	78 532121748	Washer 25/32 x 1-5/8 x 16 Gauge
25 532106888	Spring, Brake Rod	81 532158461	Shaft Asm. Cross Hydro
26 819131316	Washer	82 532123782	Spring Torsion T/A
27 876020412	Pin Cotter 1/8 x 3/4 CAD.	83 819171216	Washer 17/32 x 3/4 x 16 Ga.
28 532145204	Rod, Parking Brake	84 532158286	Rod, Tie PVST 18"
29 532071673	Cap, Parking Brake	86 532071208	Bushing Rod Strig. 629/632 ID
30 532130807	Bracket, Transaxle	87 819212016	Washer 21/32 x 1-1/4 x 16 Ga.
32 874760512	Bolt Hex Hd 5/16-18 Unc x 3/4	88 812000008	Ring Klip #5304-62
33 872140506	Bolt RdHd Sqnk 5/16-18 Unc x 3/4	89 532154882	Console, Shift
34 532155071	Shaft, Foot Pedal	90 532124346	Nut Self-Thd Wsh-Hd 1/4 Zinc
35 532120183	Bearing, Nylon	95 532156970	Rod Asm Bypass PVST
36 819211616	Washer	96 532124788	Retainer Spring 1" Zinc/Cad
37 532124963	Pin, Roll	100 819111216	Washer 11/32 x 3/4 x 16 Ga.
38 532123674	Pulley, Idler, Flat	113 532127285	Strap Torque LH LT
39 874760644	Bolt	118 532154774	Spacer Bellcrank
40 532124965	Spacer, Split	121 532154419	Nyliner Clutching STL
41 532154777	Keeper, Belt, Idler	122 532156963	Plate Bypass PVST
42 819131312	Washer 13/32 x 13/16 x 12 Gauge	123 819091016	Washer 9/32 x 5/8 x 16 Ga.
43 819111012	Washer 11/32 x 5/8 x 12 Ga.	124 532156967	Spring Return PVST
47 532127783	Pulley, Idler, V-Groove	125 874780516	Bolt Fin Hex 5/16-18 Unc x 1
48 532154604	Bellcrank Assembly	126 532124949	Nut Lock 5/16-18 Unc
49 532123205	Retainer, Belt	143 874780520	Bolt Fin Hex 5/16-18 UNC x 1-1/4

NOTE: All component dimensions give in U.S. inches.
1 inch = 25.4 mm.

REPAIR PARTS

TRACTOR - MODEL NO. LTH130 (954140005C), PRODUCT NO. 954 14 00-05

STEERING ASSEMBLY



REPAIR PARTS

TRACTOR - MODEL NO. LTH130 (954140005C), PRODUCT NO. 954 14 00-05

STEERING ASSEMBLY

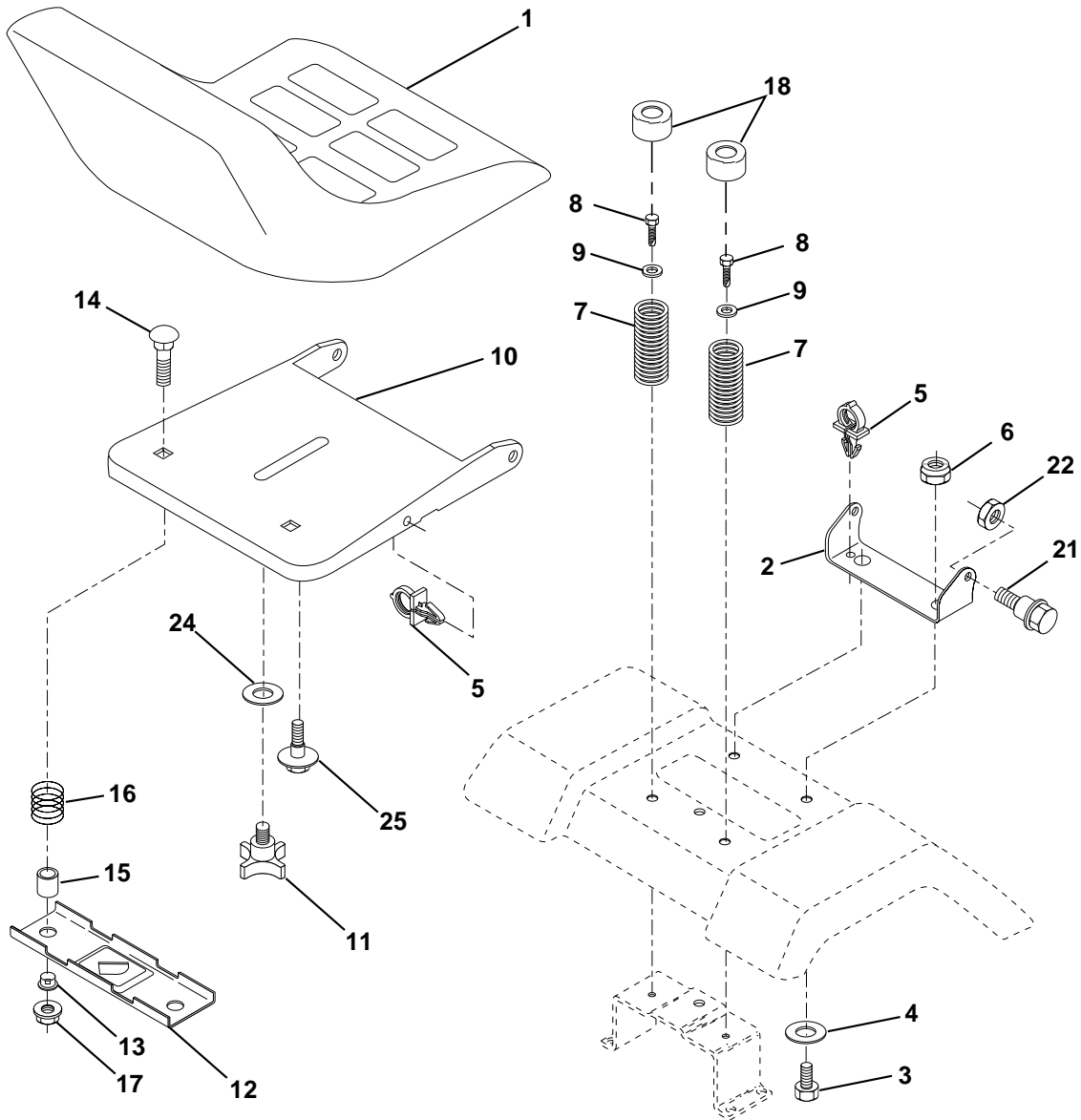
KEY NO.	PART NO.	DESCRIPTION
1	532124415	Wheel Steering
2	532137094	Axle Front Casting Machined
3	532157479	Spindle Asm LH Cast 15"
4	532157478	Spindle Asm RH Cast 15"
5	532124931	Bearing Race Thrust Harden
6	532121748	Washer 25/32 X 1-5/8 X 16 Ga
7	819272016	Washer 27/32 X 1-1/4 X 16 Ga
8	812000029	Ring Klip #t5304-75
9	532124937	Bearing Col Strg Blk
10	532154432	Link Drag Extended Cast
11	810040600	Washer Lock Hvy Hlcl Spr 3/8
13	532154779	Bearing Axle STLT/GT
15	873901000	Nut Lock Flange 5/8-11 Unc
17	532156546	Shaft Asm Strg
18	532057079	Washer Thrust 515x 750x 033
19	532124035	Support Shaft
20	532126684	Washer Shim 1/4 X 5/8 X 062
22	871200410	Screw Hex Socket 1/4-20 x 5/8
23	532127501	Shaft Asm Pittman
25	532154406	Bracket Steering
27	532136874	Gear Sector
29	817490612	Screw Thdrol 3/8-16x3/4 Ty-tt
32	532137347	Rod Asm Tie Ball J Adj VGT
36	532155099	Bushing Strg
37	532152927	Screw
38	532124416	Insert Cap Strg Wh Au
39	819133808	Washer 13/32 X 2-3/8 X 8 Ga
40	532124701	Lock nut
41	532100711	Adaptor Wheel Strg
42	532155092	Boot Steering Shaft
43	532121749	Washer 25/32 X 1 1/4 X 16 Ga
44	532153720	Extension Steering Shaft LR/LT
46	532121232	Cap Spindle Fr Top Blk
47	532124836	Fitting Grease
51	873800500	Nut Lock Hex w/Ins 5/16-18
53	873680600	Nut Crownlock 3/8-16 UNC
54	874780520	Bolt Fin Hex 5/16-18 Unc x 1-1/4
62	532156594	Kit, Steering Assembly Svc
63	874780616	Bolt Fin Hex 3/8-16unc x 1 Gr. 5
65	532154780	Spacer Axle
66	532154404	Bearing Arm Pittman
67	874781044	Bolt, Fin Hex 5/8-11 UNC x 2-3/4
68	532154429	Axle, Brace
69	532160367	Spacer Brace Axle
70	874780636	Bolt Fin Hex 3/8-16 UNC x 2-1/4

NOTE: All component dimensions given in U.S. inches.
1 inch = 25.4 mm.

REPAIR PARTS

TRACTOR - MODEL NO. LTH130 (954140005C), PRODUCT NO. 954 14 00-05

SEAT ASSEMBLY



KEY PART NO. NO.

DESCRIPTION

1	532140838	Seat
2	532140551	Bracket Pivot Seat 8 720
3	874760616	Bolt Fin Hex 3/8-16unc X 1
4	819131610	Washer 13/32 X 1 X 10 Ga
5	532145006	Clip Push-In
6	873800600	Nut Hex w/Ins. 3/8-16 Unc
7	532124181	Spring Seat Cprsn 2 250 Blk Zi
8	817490616	Screw Thdrol 3/8-16 X 1 Ty-tt
9	819131614	Washer 13/32 X 1 X 14 Ga.
10	532155925	Pan Seat
11	532120068	Knob Seat 1/2-13 UNC Blk
12	532121246	Bracket Mounting Switch

KEY PART NO. NO.

DESCRIPTION

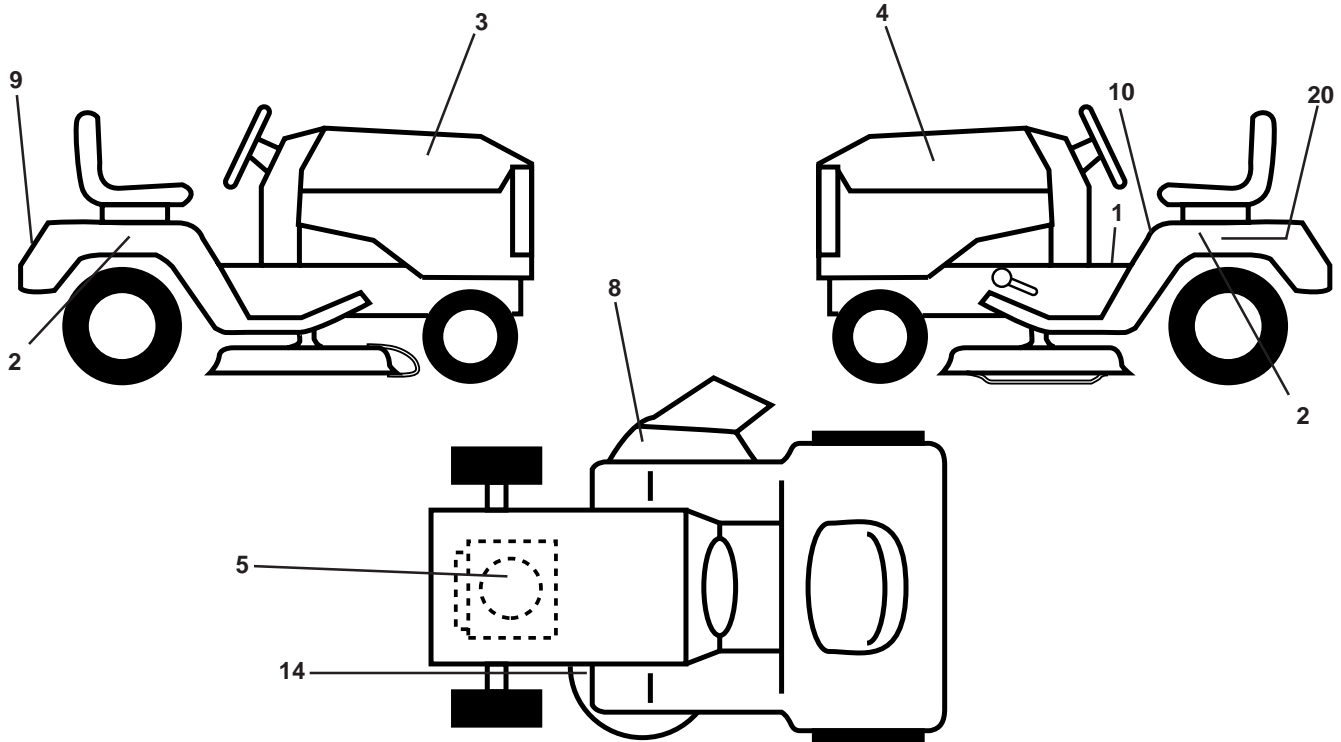
13	532121248	Bushing Snap Blk Nyl 50 Id
14	872050412	Bolt Rdhd Sqnk 1/4-20x1-1/2
15	532134300	Spacer Split 28x 96 Yel Zinc
16	532121250	Spring Cprsn 1 27 Blk Pnt
17	532123976	Nut Lock 1/4 Lge Flg Gr 5 Zinc
18	532124238	Cap Spring Seat
21	532153236	Bolt Shoulder 5/16-18 Unc
22	873800500	Nut Hex Lock W/Ins 5/16-18
24	819171912	Washer 17/32 X 1-3/16 X 12 Ga.
25	532127018	Bolt Shoulder 5/16-18 X 62

NOTE: All component dimensions given in U.S. inches.
1 inch = 25.4 mm

REPAIR PARTS

TRACTOR - MODEL NO. LTH130 (954140005C), PRODUCT NO. 954 14 00-05

DECALS



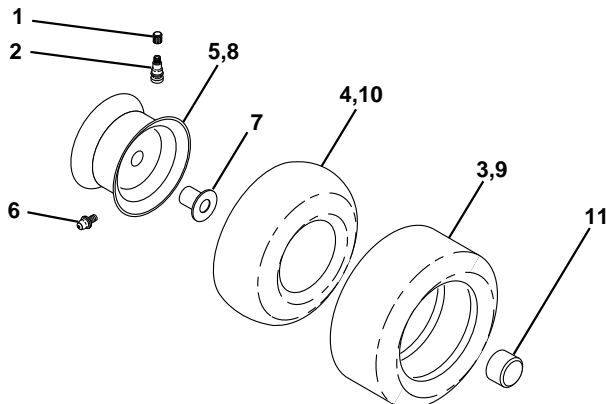
KEY NO.	PART NO.	DESCRIPTION
1	532157032	Decal Oper Step Thru Eng/Fr
2	532157007	Decal Fender Ajuto Husq. Radius
3	532150725	Decal Hood RH
4	532150726	Decal Hood LH
5	532151124	Decal HP Engine
8	532137259	Decal Warning
9	532150617	Decal Fender Husq
10	532157140	Decal Fender Danger Eng/Fr
14	532160396	Decal V-Belt Schematic
20	532145005	Decal Bat Dan/Psn
--	532154515	Pad Footrest LH STLT
--	532154516	Pad Footrest RH STLT

KEY NO.	PART NO.	DESCRIPTION
--	532138311	Decal Handle Lft Height Adjust
--	532142341	Decal Drawbar Cntrl Mvt Hyd LT
--	532161054	Manual Owner's (English)
--	532161055	Manual Owner's (French)

Available accessories not included with tractor:

--	LSB42	42" Snow Blower
--	LC05	Wheel Wts (pair)
--	CH12	Tire Chains 18 x 8.5 x 8
--	LBD48	48" Snow Blade
--	MP42	Mulch Plate

WHEELS & TIRES



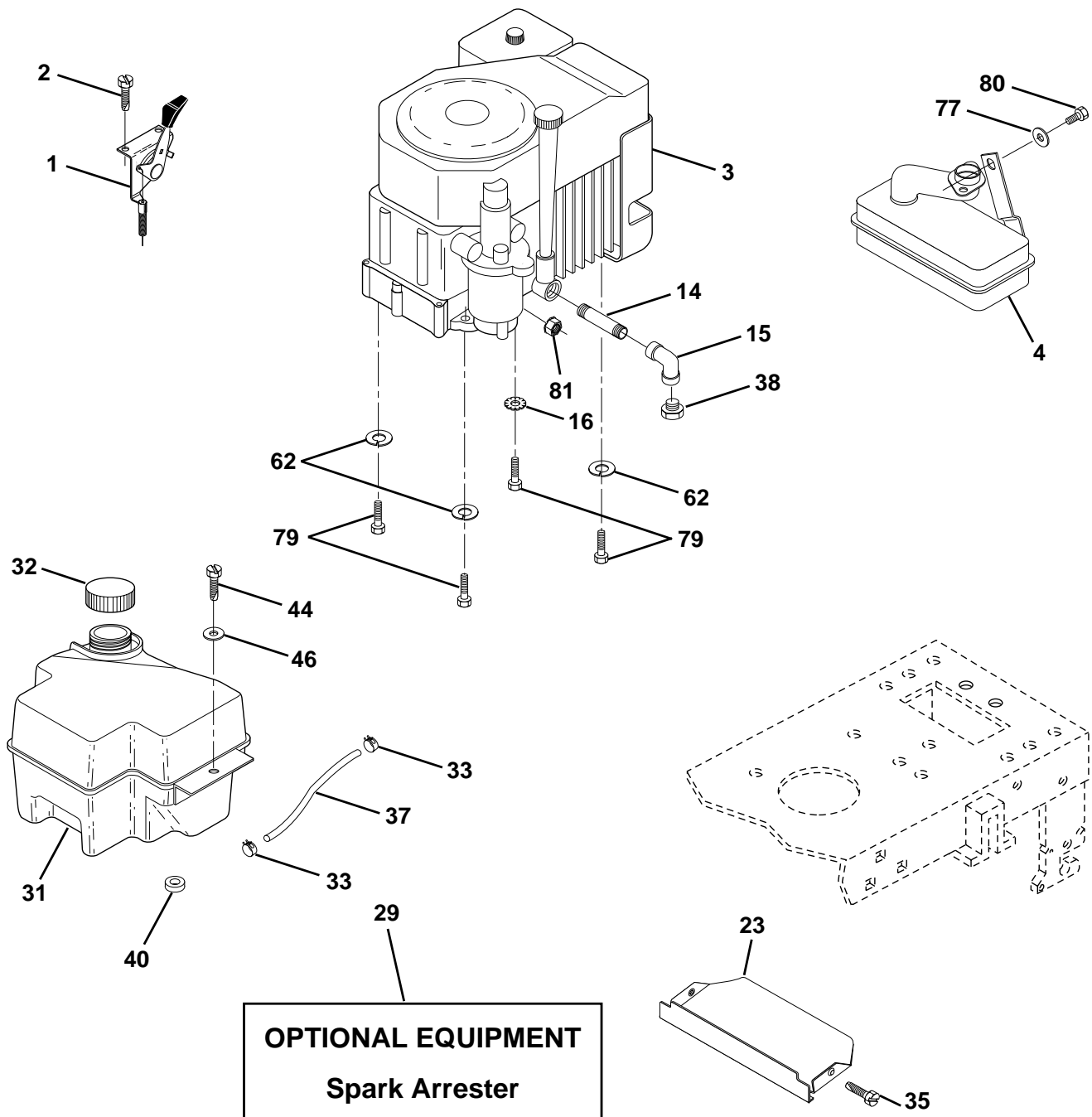
KEY NO.	PART NO.	DESCRIPTION
1	532059192	Cap Valve Tire
2	532065139	Stem Valve
3	532106222	Tire F Ts 15 X 6 0 - 6 Service
4	532059904	Tube Front (Service Item Only)
5	532138336	Rim Asm 6"front Silver Service
6	532124957	Fitting Grease (Front Wheel Only)
7	532124959	Bearing Flange (Front Wheel Only)
8	532138337	Rim Asm 8"rear Silver Service
9	532124635	Tire R Ts 18x8 5-8 C Service
10	532124926	Tube Rear (Service Item Only)
11	532104757	Cap Axle Blk 1 50 X 1 00
--	532144334	Sealant, Tire (10 oz. Tube)

NOTE: All component dimensions given in U.S. inches
1 inch = 25.4 mm

REPAIR PARTS

TRACTOR - MODEL NO. LTH130 (954140005C), PRODUCT NO. 954 14 00-05

ENGINE



REPAIR PARTS

TRACTOR - MODEL NO. LTH130 (954140005C), PRODUCT NO. 954 14 00-05

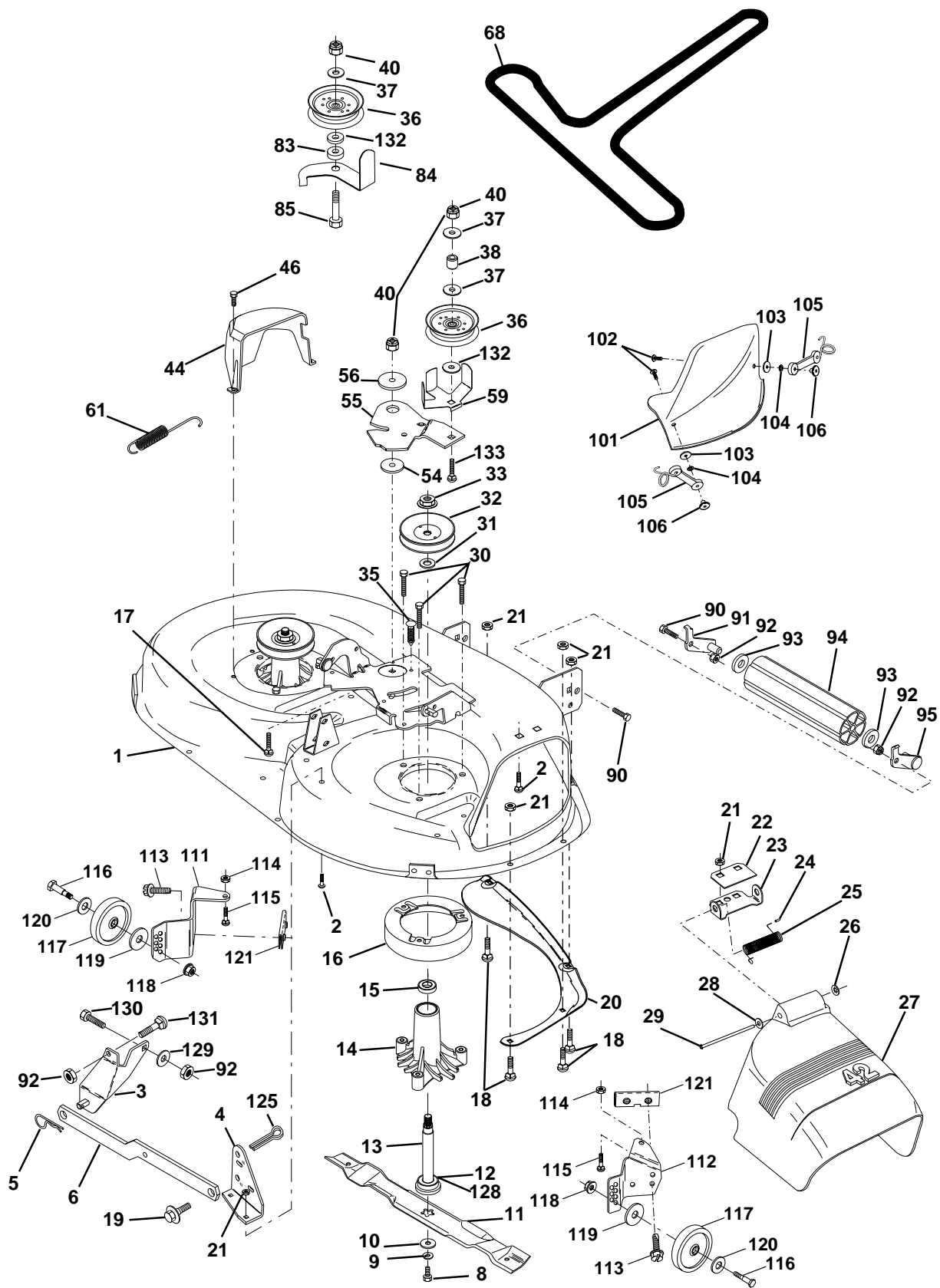
ENGINE

KEY NO.	PART NO.	DESCRIPTION
1	532141296	Control THTICH 27 LH FLAG DOM
2	817720410	Screw Hex Thd Cut 1/4-20 x 5/8 T
3	-----	Engine Kohler, Model No. CV15S 15 HP
4	532137350	Muffler LT Kohler 12.5/15HD
14	813280328	Nipple Pipe 3/8 Npt X 3-1/2
15	813200300	Elbow Std 90 Degree 3/8-18 Npt
16	811050500	Washer Lock Ext Tooth 5/16
23	532156123	Shield Heat
29	532137180	Kit Spark Arrestor (Flat Scrn)
31	532140280	Tank Fuel Front 2 00
32	532140527	Cap Asm Fuel W/sym Vented
33	532123487	Clamp Hose Black
35	817490512	Screw
37	532137040	Line Fuel 20"
38	-----	Plug Oil Drain (Order From Engine Manufacturer)
40	532124028	Bushing Snap Nyl Blk Fuel Line
44	817490412	Screw Hexwsh Thdrol 1/4-20x3/4
46	819091416	Washer 9/32 X 7/8 X 16 Ga
62	810040500	Washer Lock Hvy Hlcl Spr 5/16
77	819101216	Washer 5/16 x 3/4 x 16 Ga.
79	532125398	Bolt Hex
80	874760508	Bolt Hex Hd 5/16-18 UNC x 1/2
81	532128861	Nut Flange 1/4-20 Starter Nut

NOTE: All component dimensions given in U.S. inches
1 inch = 25.4 mm

REPAIR PARTS

TRACTOR - MODEL NO. LTH130 (954140005C), PRODUCT NO. 954 14 00-05
MOWER DECK



REPAIR PARTS

TRACTOR - MODEL NO. LTH130 (954140005C), PRODUCT NO. 954 14 00-05

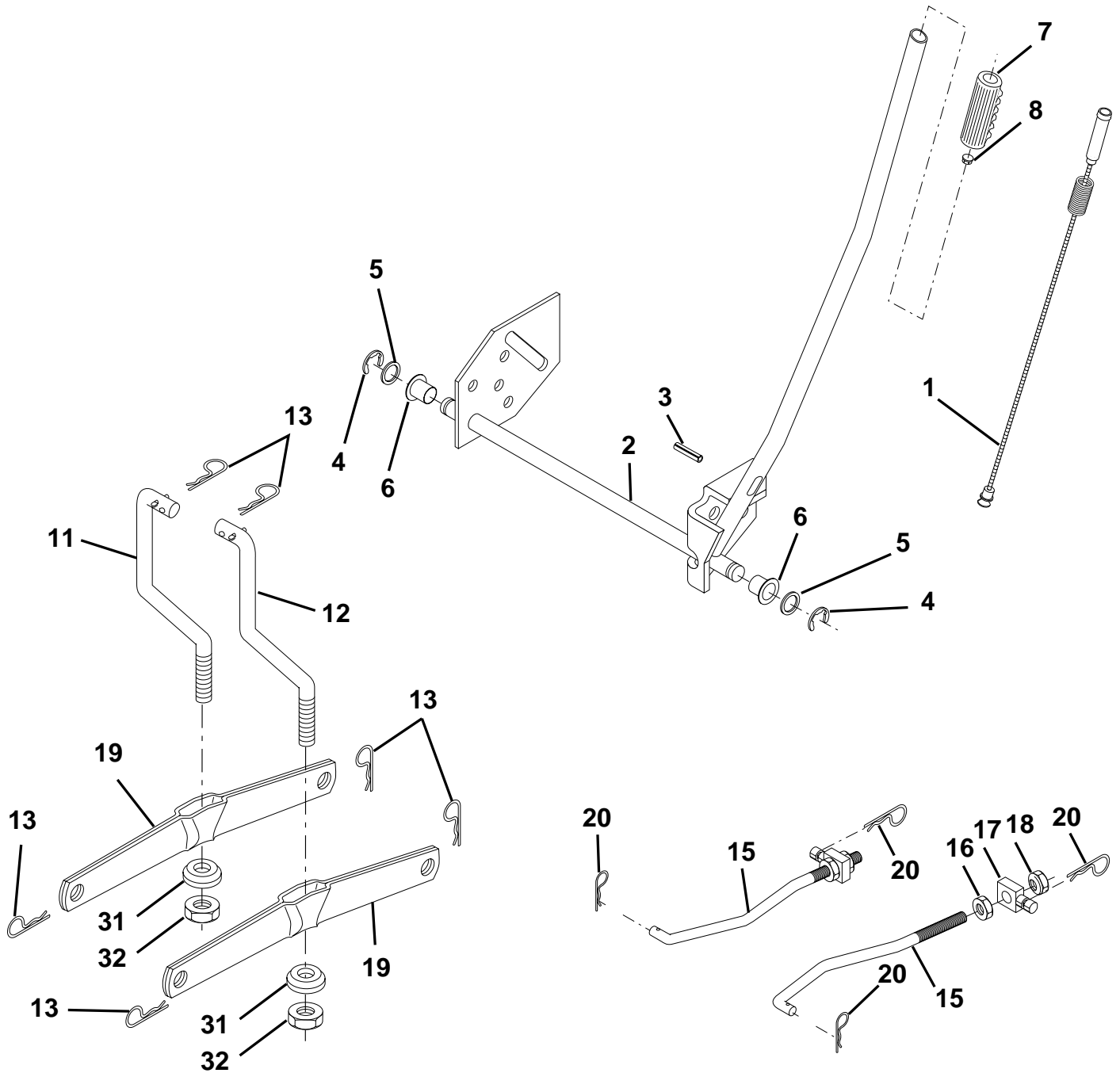
MOWER DECK

KEY NO.	PART NO.	DESCRIPTION	KEY NO.	PART NO.	DESCRIPTION
1	532144393	Housing Asm Mower 42"94 T-Path	61	532131950	Spring Ext. Elect
2	872140506	Bolt Rdhd Sqnk 5/16-18unc X3/4	68	532144200	V-Belt Mower
3	532138017	Bracket Asm Fr Sway Bar 38/42	83	532120958	Washer Sintered
4	532138440	Bracket Asm Deck 42"sway Bar	84	532156084	Keeper 'Belt Idler
5	532124670	Retainer Spring	85	872140618	Bolt Carriage 3/8-16 x 2-1/4 Gr.5
6	532130832	Arm Suspension Rear	90	874760616	Bolt Fin Hex 3/8-16unc X 1
8	532850857	Bolt 3/8-24x1 25 Gr8 Patched	91	532132274	Bracket Asm Noseroller LH
9	810030600	Washer Lock Hvy 3/8 Unplated	92	873800600	Nut Lock Hex w/ins. 3/8-16 UNC
10	532140296	Washer Hard Blade Mower Vented	93	819171416	Washer 17/32 X 7/8 X 16 Ga
11	532134149	Blade Mower Mulching 42"	94	532132264	Roller Nose 38 & 42
12	532129895	Bearing Ball #6204 (Mandrel)	95	532132273	Bracket Asm Noseroller RH
13	532137645	Shaft Asm W/lower Bearing	101	532136420	Cover Mulching 42" Blk
14	532128774	Housing Mandrel Vented(machd)	102	871161010	Screw
15	532110485	Bearing Ball Mandrel	103	819061216	Washer #10
16	532140329	Stripper Round Mower	104	810071000	Washer Lock #10
17	872110618	Bolt Rdhd Sqnk 3/8-16 X 2-1/4	105	532160793	Latch Asm Bagger
18	872140505	Bolt Carr 5/16-18 X 5/8	106	532125004	Nut Weld .327/.304 #10-24
19	532132827	Bolt Shoulder	111	532155197	Bracket Wheel Gauge Lh 42" Deck
20	532136888	Baffle Vortex 42	112	532155198	Bracket Gauge Wheel Rh 42" Deck
21	873680500	Nut Crown Lock 5/16-18	113	817490512	Screw Thdrol 5/16-18 x 3/4 TYT
22	532134753	Stiffener Bracket 42"deck	114	873510500	Nut Keps 5/16 - 18 UNC
23	532131267	Bracket Deflector Mower 42"	115	872110504	Bolt Carriage 5/16 - Unc x 1/2
24	532105304	Cap Sleeve 80x 112 Blk Mower	116	532124842	Bolt Shld "A" 2.41 "B" 1.66
25	532123713	Spring Torsion Deflector 2 52	117	532105455	Wheel Gauge blk. 4.93
26	532110452	Nut Push Phos & Oil	118	873930600	Nut Centerlock 3/8 - 16 UNC
27	532130968	Shield Deflector Mower 42" Blk	119	819121414	Washer 3/8 x 7/8 x 14 Ga.
28	819111016	Washer 11/32 X 5/8 X 16 Ga	120	819171512	Washer 17/32 x 15/16 x 12 Ga.
29	532131491	Rod Hinge 42"6 75 Wlg	121	532143723	Bracket
30	532157722	Screw Thdrol Washer Head	125	876020816	Cotter Pin
31	532129963	Washer Spacer Mower Vented	128	532153390	Washer Felt
32	532153535	Pulley Mandrel 42"	129	819131312	Washer 13/32 x 13/16 x 12 Ga.
33	532137266	Nut 9/16top Lock Flng Cntr	130	874780616	Bolt Fin Hex 3/8-16 UNC x 1 Gr. 5
35	532133835	Fastner Christmas Tree	131	872140608	Bolt RDHD SQNK 3/8-16 UNC x 1
36	532131494	Pulley Idler Flat 3 060	132	819132203	Washer 13/32 x 1-3/8 x 3 Ga
37	819131316	Washer 13/32 X 13/16 X 16 Ga	133	872110622	Bolt RDHD 3/8-16 UNC x 2-3/4 Gr.5
38	532132823	Spacer Spring Stop Idler	--	532145452	Deck Serv 42" Elec Vent (Standard Deck - Order Nose Roller, Gauge Wheel and Mulcher Plate components separately Key Nos. 90-95, 101-106 and 111-121)
40	873680600	Nut Lock 3/8-16 Unc	--	532130794	Mandrel Assembly (Includes Key Numbers 8-10, 12-15, 31 and 33)
44	532140088	Guard Mandrel LH Black			
46	532137729	Screw Thdrol 1/4-20x5/8			
54	532133943	Washer Hardened			
55	532140084	Arm Idler 42"mower LT/YT			
56	532122052	Spacer Retainer Pm Mower			
59	532141043	Guard, Belt			

REPAIR PARTS

TRACTOR - MODEL NO. LTH130 (954140005C), PRODUCT NO. 954 14 00-05

MOWER LIFT



REPAIR PARTS

TRACTOR - MODEL NO. LTH130 (954140005C), PRODUCT NO. 954 14 00-05

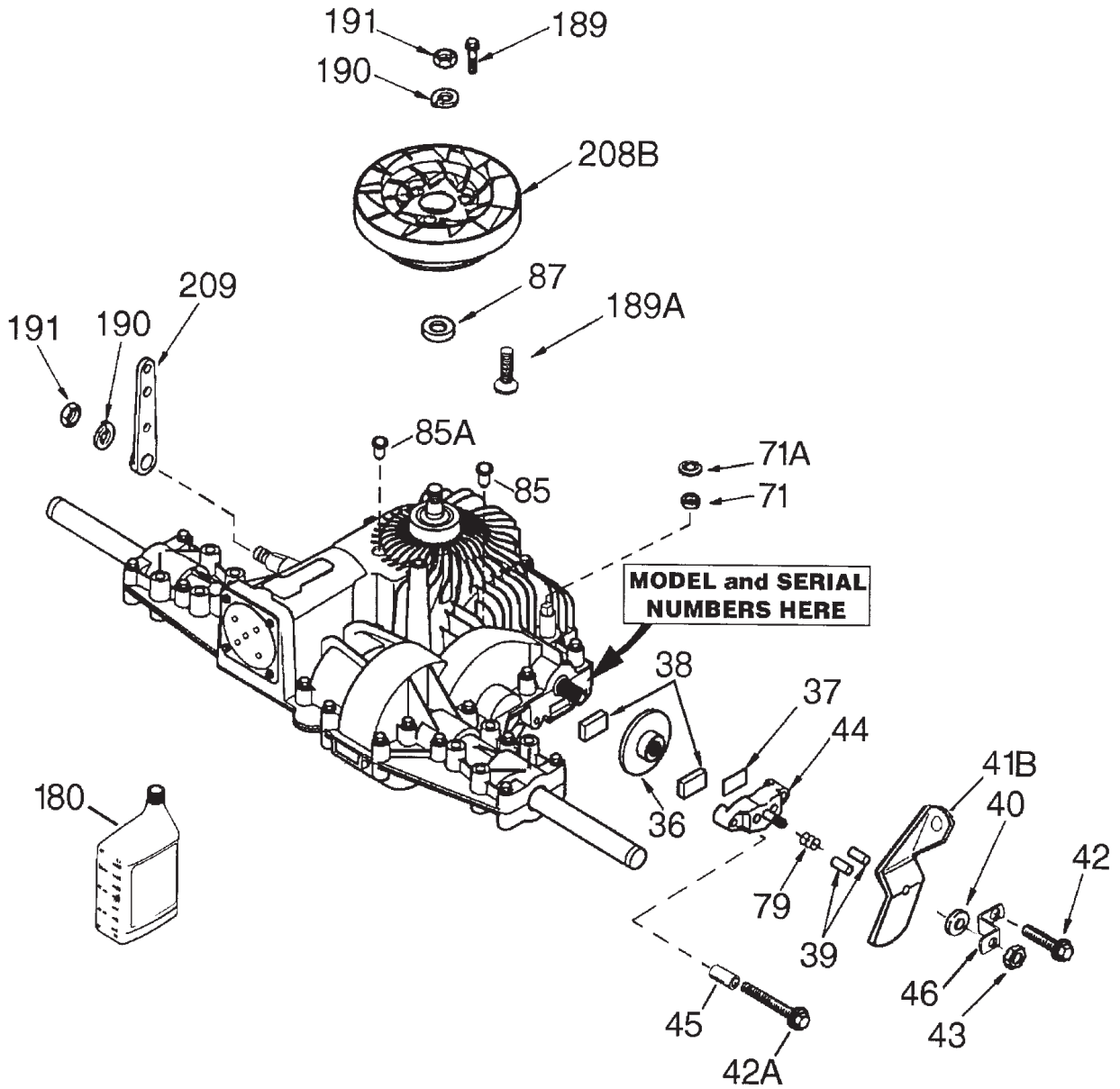
MOWER LIFT

KEY NO.	PART NO.	DESCRIPTION
1	532159460	Wire Asm Inner W/plunger
2	532159471	Shaft Asm Lift
3	532105767	Pin Groove
4	812000002	E Ring #5133-62
5	819211621	Washer PLTD 21/32 X 1 X 21ga
6	532120183	Bearing Nylon Blk 629 Id
7	532109413	Grip Handle Bicycle
8	532124526	Button Plunger Black
11	532139865	Link Lift LH
12	532139866	Link Lift RH
13	532124670	Retainer Spring
15	532127218	Link Front
16	873350800	Nut Jam Hex 1/2-13 Unc
17	532130171	Trunnion Blk Zinc
18	873800800	Nut Lock W/wsh 1/2-13unc
19	532139868	Arm Suspension Rear
20	532124660	Spring, Retainer
31	532140302	Bearing Pvt. Lift Spherical
32	873540600	Nut Crownlock 3/8-24

NOTE: All component dimensions given in U.S. inches
1 inch = 25.4 mm

REPAIR PARTS

TRACTOR - MODEL NO. LTH130 (954140005C), PRODUCT NO. 954 14 00-05
PEERLESS TRANSAXLE - MODEL NUMBER 205-035B



REPAIR PARTS

TRACTOR - MODEL NO. LTH130 (954140005C), PRODUCT NO. 954 14 00-05

PEERLESS TRANSAXLE - MODEL NUMBER 205-035B

REF NO.	PART NO.	DESCRIPTION
36	790075	Brake Disc
37	790007	Brake Pad Plate
38	799021	Brake Pad (pkg of 2)
39	786026	Dowel Pin
39B	798033	Belt Guard
40	792076A	Flat Washer
41B	790085	Brake Lever
42	792073	Screw, 1/4-20 x 1-1/4"
42A	792085A	Screw, 1/4-20 x 2-1/4"
43	792075	Locknut, 5/16-24
44	790025	Brake Pad Holder
45	786066	Spacer
46	790086	Brake Lever Bracket
71	788069	Square Cut Ring
71A	792162	Pushnut, 9/16"
79	792144	Spring
85	792154	Oil Fill Plug
85A	792182	Tube, Plug
87	788035	Oil Seal, 5/8"
180	730229A	Gear Oil 80W90
189	792168	Drive Screw #6 x 1/2"
189A	792169	Screw, 10-32 x 1/2"
190	792150	Lockwasher
191	792151	Nut, 7/16-20
208B	798025	Fan/Coupling (Incl. 189 & 189A)
209	798024	Control Lever

Parts must be ordered from Tecumseh Products Co.

NOTE: All component dimensions given in U.S. inches
1 inch = 25.4 mm