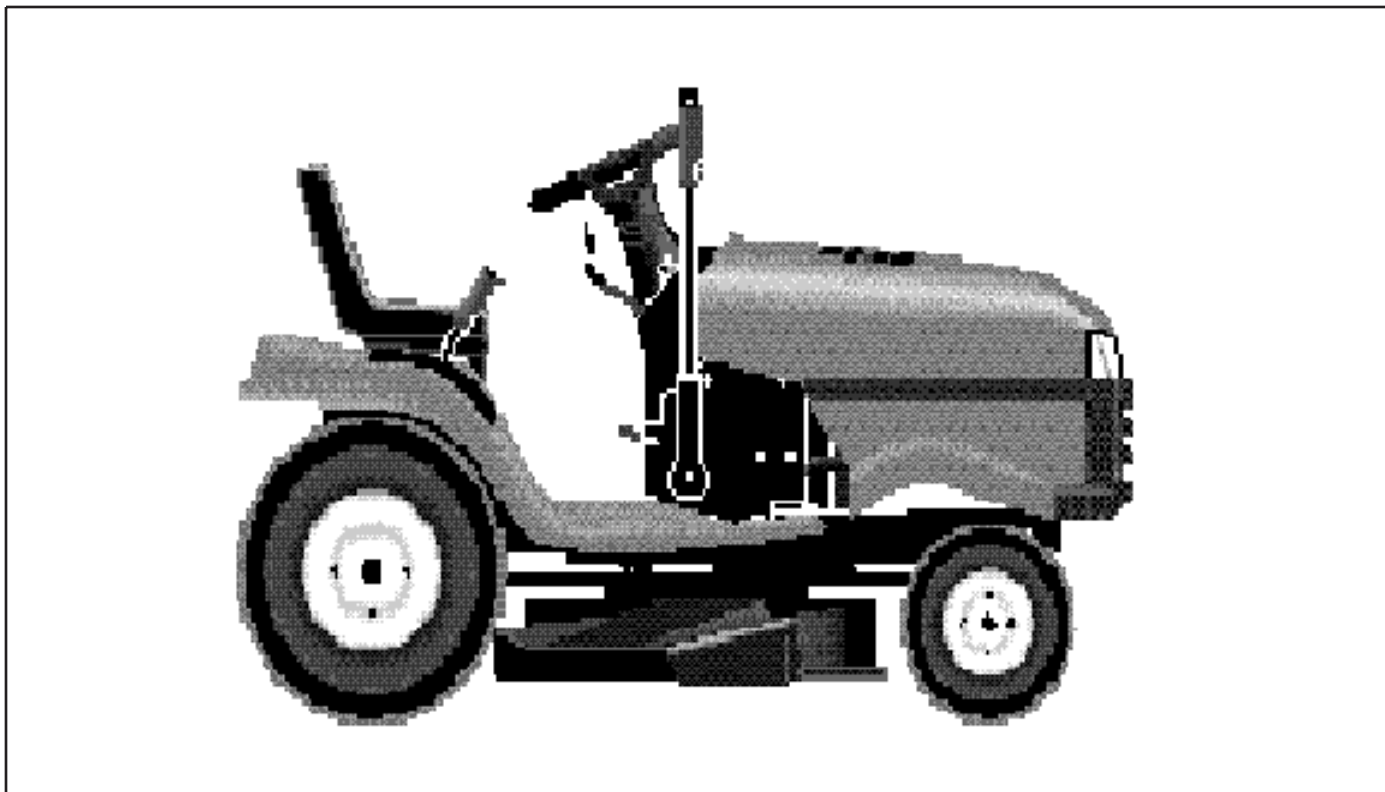


# LTH 120

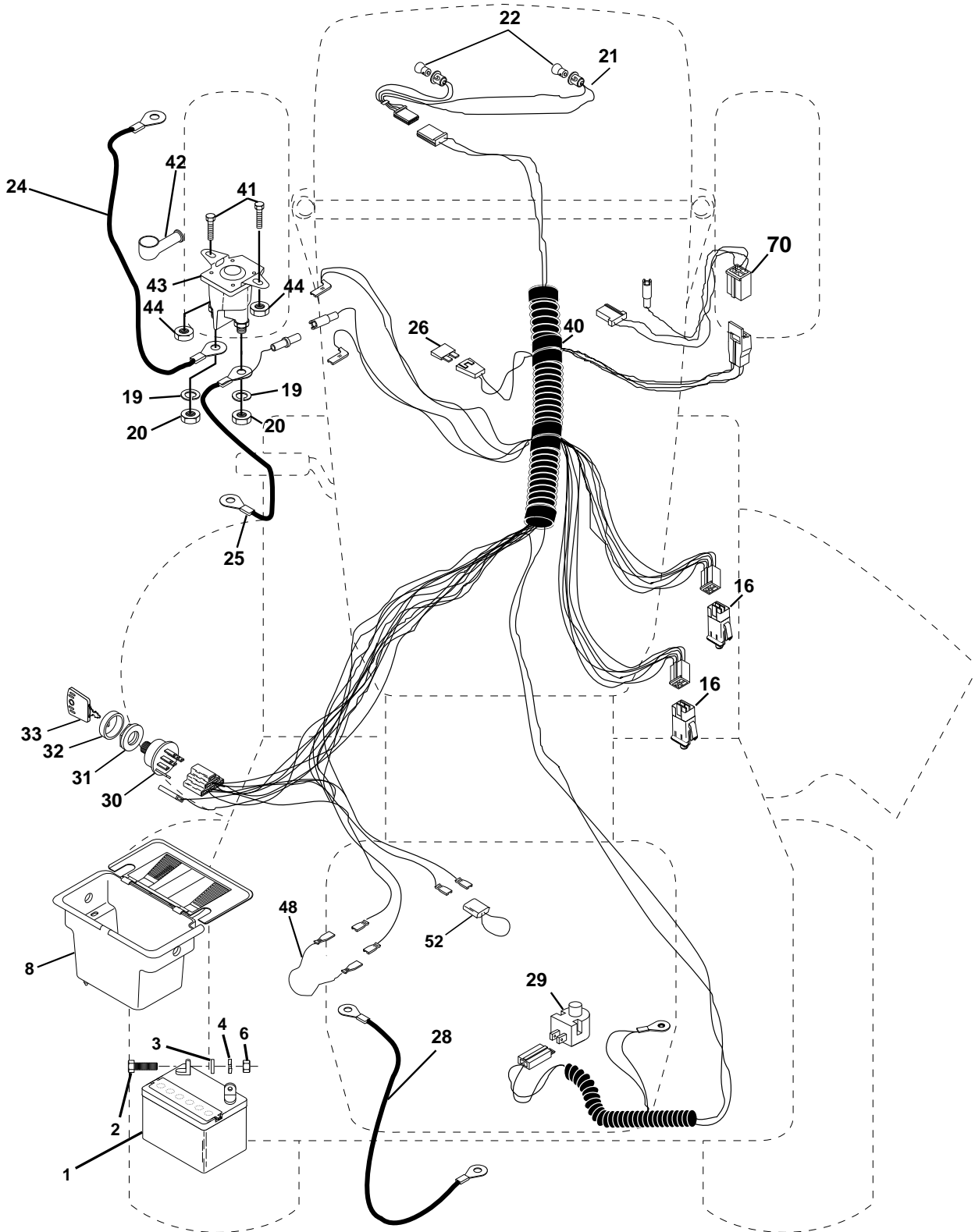


**07.1998**  
**PARTS LISTING**

**954140003D**

# REPAIR PARTS

TRACTOR - MODEL NO. LTH120 (954140003D), PRODUCT NO. 954 14 00-03  
ELECTRICAL



# REPAIR PARTS

TRACTOR - MODEL NO. LTH120 (954140003D), PRODUCT NO. 954 14 00-03

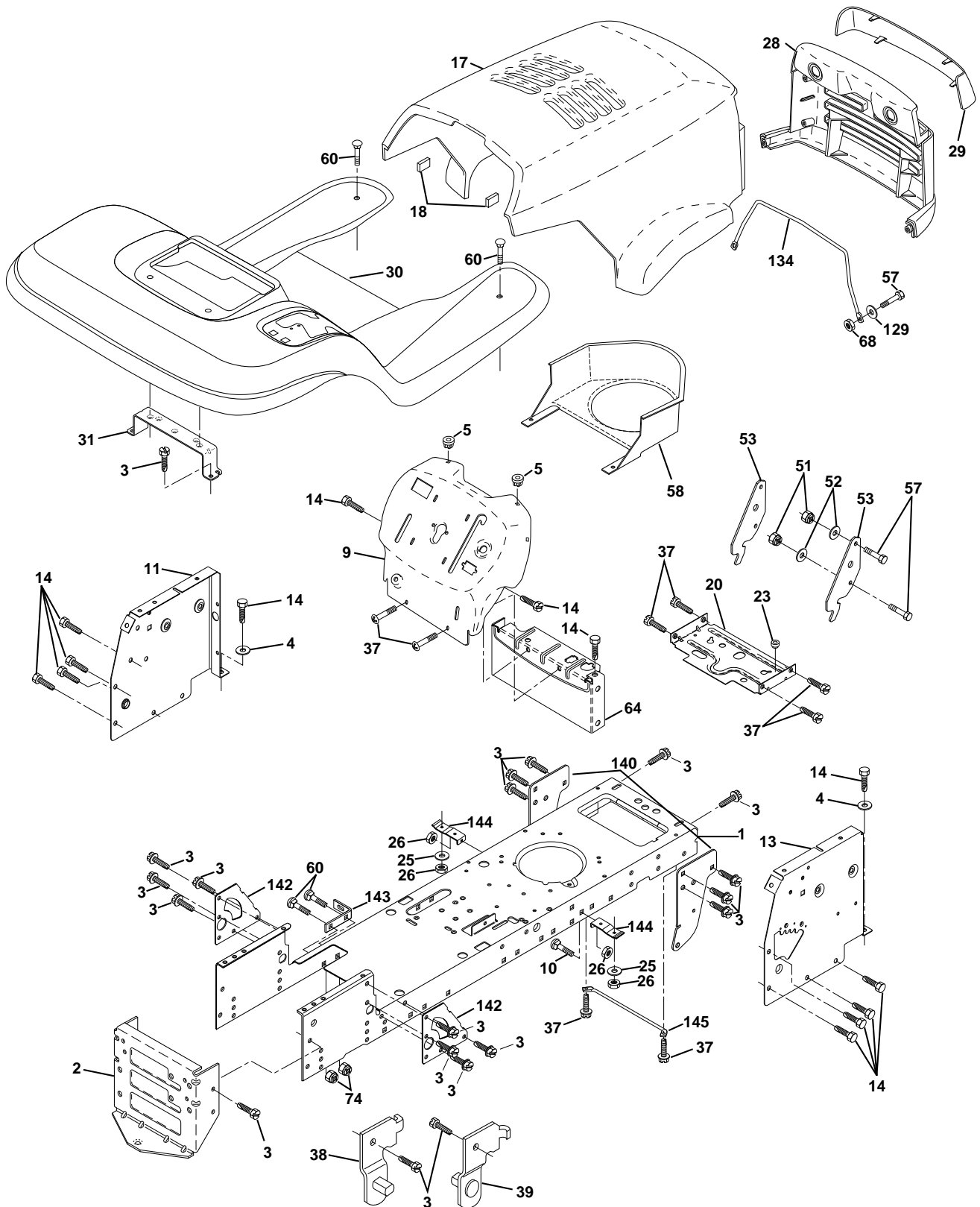
## ELECTRICAL

KEY NO.	PART NO.	DESCRIPTION
1	532144925	Battery 12 Volt 25 AMP
2	874760412	Bolt Hex Hd 1/4-20unc X 3/4
3	819091016	Washer 9/32 X 5/8 X 16 Ga.
4	810040400	Washer Lock Hvy Helical 1/4
6	873220400	Nut Fin Hex 1/4-20 Unc
8	532156417	Case Battery Mech Hinge
16	532153664	Switch Interlock Push-In
19	810090400	Washer Lock 1/4
20	873350400	Nut Jam Hex 1/4-20 Unc
21	532136850	Harness Asm Light W/4152j
22	532004152	Bulb Light #1156
24	532124780	Cable Battery 6 Ga 11" red
25	532146147	Cable Battery 6 Ga 44" red w/16 wire
26	532108824	Fuse 30 AMP Auto Green
28	532124773	Cable Ground 6 Ga 12" black
29	532121305	Switch Plunger Nc Gray
30	532140301	Switch Ign 4 pos w/lights
31	532124211	Nut Ignition
32	532141226	Cover Sw Ignition
33	532122147	Key Ign Modelled Generic
40	532156442	Harness Ign.
41	871110408	Bolt Blk Fin Hex 1/4 - 20 x 1/2
42	532131563	Cover Terminal Red
43	532145673	Solenoid
44	873640400	Nut Keps Hex 1/4-20 Unc
48	532140844	Adapter Ammeter Rectangular
52	532141940	Protection Wire Loop
70	532140413	Harness, Eng. B&S Dual

**NOTE:** All component dimensions given in U.S. inches.  
1 inch = 25.4 mm.

# REPAIR PARTS

TRACTOR - MODEL NO. LTH120 (954140003D), PRODUCT NO. 954 14 00-03  
CHASSIS AND ENCLOSURES



# REPAIR PARTS

TRACTOR - MODEL NO. LTH120 (954140003D), PRODUCT NO. 954 14 00-03

## CHASSIS AND ENCLOSURES

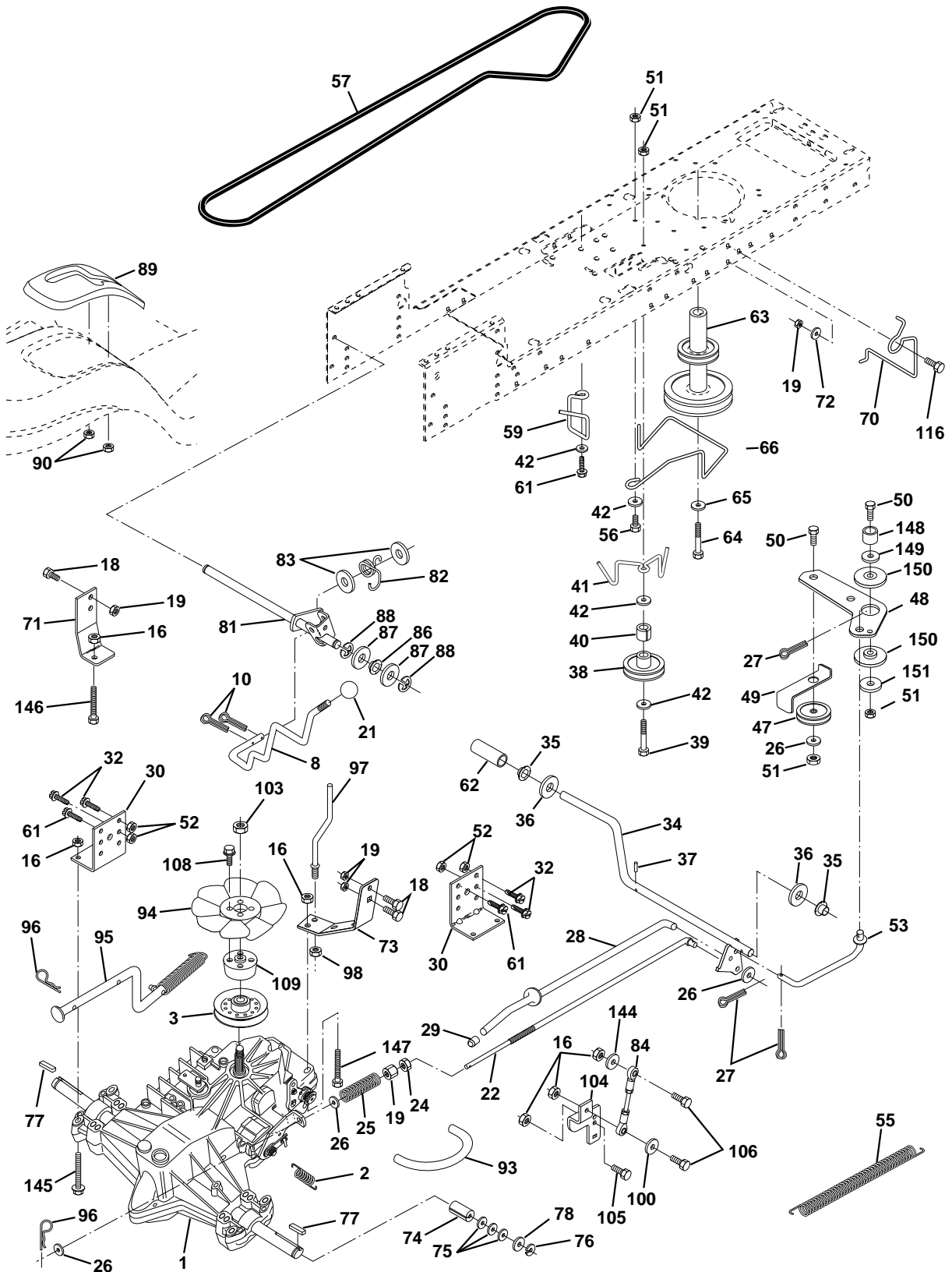
KEY NO.	PART NO.	DESCRIPTION
1	532160392	Chassis Weldment
2	532140356	Drawbar, Stretch
3	817490612	Screw Thdrol 3/8-16x3/4 Ty-tt
4	819131216	Washer 13/32 x 3/4 x 16 Ga.
5	532155272	Bumper Hood/Dash
9	532162742	Dash P/L M, N/AMM N/HM
10	872140608	Bolt Carriage 3/8-16 x 1
11	532155927	Panel Dash Lh
13	532157262	Panel Dash Rh
14	817490608	Screw Thdrol 3/8-16x1/2 Ty-tt
17	532165378	Hood LT/PL Husqvarna
18	532126938	Bumper Hood
20	532156437	Plate Mtg Battery Fuel Tank Fr
23	532124028	Bushing
25	819131312	Washer 13/32 X 13/16 X 12 Ga
26	873800600	Nut Lock Hex W/Ins 3/8-16 Unc
28	532165379	Grille LT/PL Husqvarna
29	532165380	Lens LT/PL Husqvarna
30	532156489	Fender Footrest STLT Pnt
31	532139976	Bracket Support Fender
37	817490508	Screw Thdrol 6/16-18 x 1/2 TYT
38	532139886	Bracket, Asm. Pivot, L.H., Mower Rear
39	532139887	Bracket, Asm. Pivot, R.H., Mower Rear
51	873800400	Nut Lock Hex W/Ins 1/4-20
52	819091416	Washer 9/32 x 7/8 x 16 Ga.
53	532150067	Bracket Pnt. Pick off LT/PL Husqvarna
57	874780412	Bolt Hex 1/4-20 x 3/4
58	532150127	Air Duct Engine P/L
60	872140606	Bolt Rdhd Sqnk 3/8-16unc x 3/4
64	532154798	Dash Lower STLT
68	873510400	Nut Keps Hex 1/4-20unc
74	873680600	Nut Crownlock 3/8-16 UNC
129	819091016	Washer 9/32 x 5/8 x 16 Ga.
134	532160219	Rod Support Hood LT/PL Husq.
140	532158418	Bracket Suspension Front
142	532156095	Plate Reinforcement STLT
143	532154966	Bracket Swaybar Chassis
144	532154207	Bracket Pnt Footrest STLT
145	532156524	Rod Pivot Chassis/Hood
--	532005479	Plug Button

**NOTE:** All component dimensions given in U.S. inches  
1 inch = 25.4 mm

# REPAIR PARTS

TRACTOR - MODEL NO. LTH120 (954140003D), PRODUCT NO. 954 14 00-03

DRIVE



# REPAIR PARTS

TRACTOR - MODEL NO. LTH120 (954140003D), PRODUCT NO. 954 14 00-03

## DRIVE

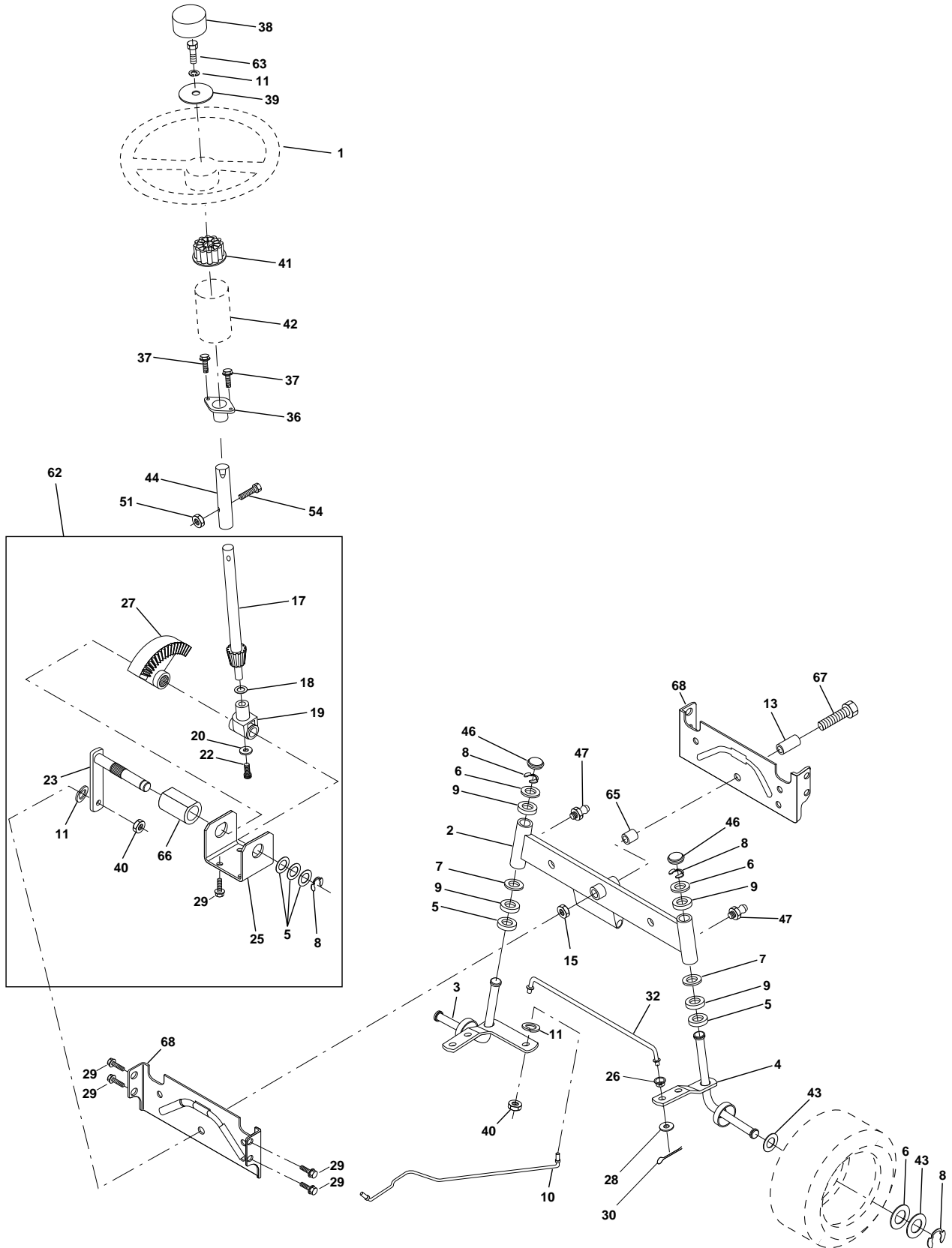
KEY NO.	PART NO.	DESCRIPTION	KEY NO.	PART NO.	DESCRIPTION
1	532140607	Transaxle (See Breakdown) Hydro Gear, Model No. 319-0500	65	810040700	Washer
2	532142431	Spring, Return, Brake	66	532154778	Keeper Belt Engine Hydro
3	532144698	Pulley, Transaxle	70	532134683	Guide Belt Mower Drive RH
8	532154792	Rod Shift Fender STLT	71	532141417	Strap Torque Lh Hydro
10	876020416	Pin Cotter 1/8 x 1 CAD	72	819132012	Washer 13/32 x 1-1/4 x 12 Ga.
16	873800500	Nut Lock Hex W/Ins. 5/16-18 Unc P	73	532141418	Strap Torque Rh Hydro
18	874780616	Bolt Fin Hex 3/8-16 Unc x 1 Gr. 5	74	532121199	Spacer, Split
19	873800600	Nut Lock Hex W/Wsh 3/8-16 Unc	75	532121749	Washer 25/32 x 1-1/4 x 16 Gauge
21	532121274	Knob, Duckhead 1/2-13	76	812000001	E-Ring
22	532145627	Rod, Brake Hydro	77	532123583	Key, Square
24	873350600	Nut	78	532121748	Washer 25/32 x 1-5/8 x 16 Gauge
25	532106888	Spring, Brake Rod	81	532156048	Shaft Asm. Cross Hydro
26	819131316	Washer	82	532123782	Spring Torsion T/A
27	876020412	Pin Cotter 1/8 x 3/4 CAD.	83	819171216	Washer 17/32 x 3/4 x 16 Ga.
28	532145204	Rod, Parking Brake	84	532141423	Rod, Tie Hydro
29	532071673	Cap, Parking Brake	86	532157480	Bushing
30	532130807	Bracket, Transaxle	87	819212016	Washer 21/32 x 1-1/4 x 16 Ga.
32	874760512	Bolt Hex Hd 5/16-18 Unc x 3/4	88	812000008	Ring Klip #5304-62
34	532155071	Shaft, Foot Pedal	89	532158388	Console, Shift
35	532120183	Bearing, Nylon	90	532124346	Nut, Self-Thd Wsh-hd 1/4 Zinc
36	819211616	Washer	93	532142564	Line Fuel Hydro 4"
37	532124963	Pin, Roll	94	532140462	Fan, Hydro 7"
38	532123674	Pulley, Idler, Flat	95	532144643	Control Asm Bypass Hydro
39	874760644	Bolt	96	532124788	Retainer Spring 1" Zinc/Cad
40	532124965	Spacer, Split	97	532144201	Keeper Belt Rh Hydro
41	532154777	Keeper, Belt Idler	98	873510600	Nut Keps Hex 3/8-16 Unc
42	819131312	Washer 13/32 x 13/16 x 12 Gauge	100	819111216	Washer 11/32 x 3/4 x 16 Ga.
47	532127783	Pulley, Idler, V-Groove	103	873940800	Nut Nylon Insert 1/2-20 Unf.
48	532154407	Bellcrank Clutch Grnd Prv STL	104	532141421	Arm, Control Hydro
49	532123205	Retainer, Belt	105	871070516	Screw Cap Hex 5/16 x 18 x 1
50	874760624	Bolt	106	874780520	Bolt Fin Hex 5/16-18 Unc x 1-1/4
51	873680600	Nut	108	817541026	Screw Hex Wh Hd #10-24 x
52	873680500	Nut Crownlock 5/16-18	109	532145098	Adaptor Fan Hydro LT Hyd Alum
53	532105710	Link, Clutch	116	872110610	Bolt Rdhd Sq. Neck 3/8-16 x 1.25
55	532105709	Spring, Return, Clutch	144	819111016	Washer 11/32 x 5/8 x 16 Ga.
56	874760620	Bolt Fin Hex 3/8-16 UNC x 1-1/4	145	874490540	Bolt Hex Flghd 5/16-18 x Gr. 5
57	532141416	V-Belt, Ground Drive	146	874490536	Bolt Hex Flghd 5/16-18 x 2-1/4
59	532140312	Keeper, Center Span	147	874490524	Bolt hex Flghd 5/16-18 x 1-1/2
61	817490612	Screw Thdrol. 3/8-16 x 3/4 Ty. TT	148	532159103	Spacer
62	532124872	Cover, Pedal	149	532122052	Spacer Retainer PM Mower
63	532140186	Pulley, Engine	150	532150935	Bushing Nylon Collered
64	871170764	Bolt Hex 7/16-20 x 4 Gr 5	151	819133210	Washer 13/32 x 2 x 10 Ga.

**NOTE:** All component dimensions give in U.S. inches.  
1 inch = 25.4 mm.

# REPAIR PARTS

TRACTOR - MODEL NO. LTH120 (954140003D), PRODUCT NO. 954 14 00-03

## STEERING ASSEMBLY





# REPAIR PARTS

TRACTOR - MODEL NO. LTH120 (954140003D), PRODUCT NO. 954 14 00-03

## STEERING ASSEMBLY

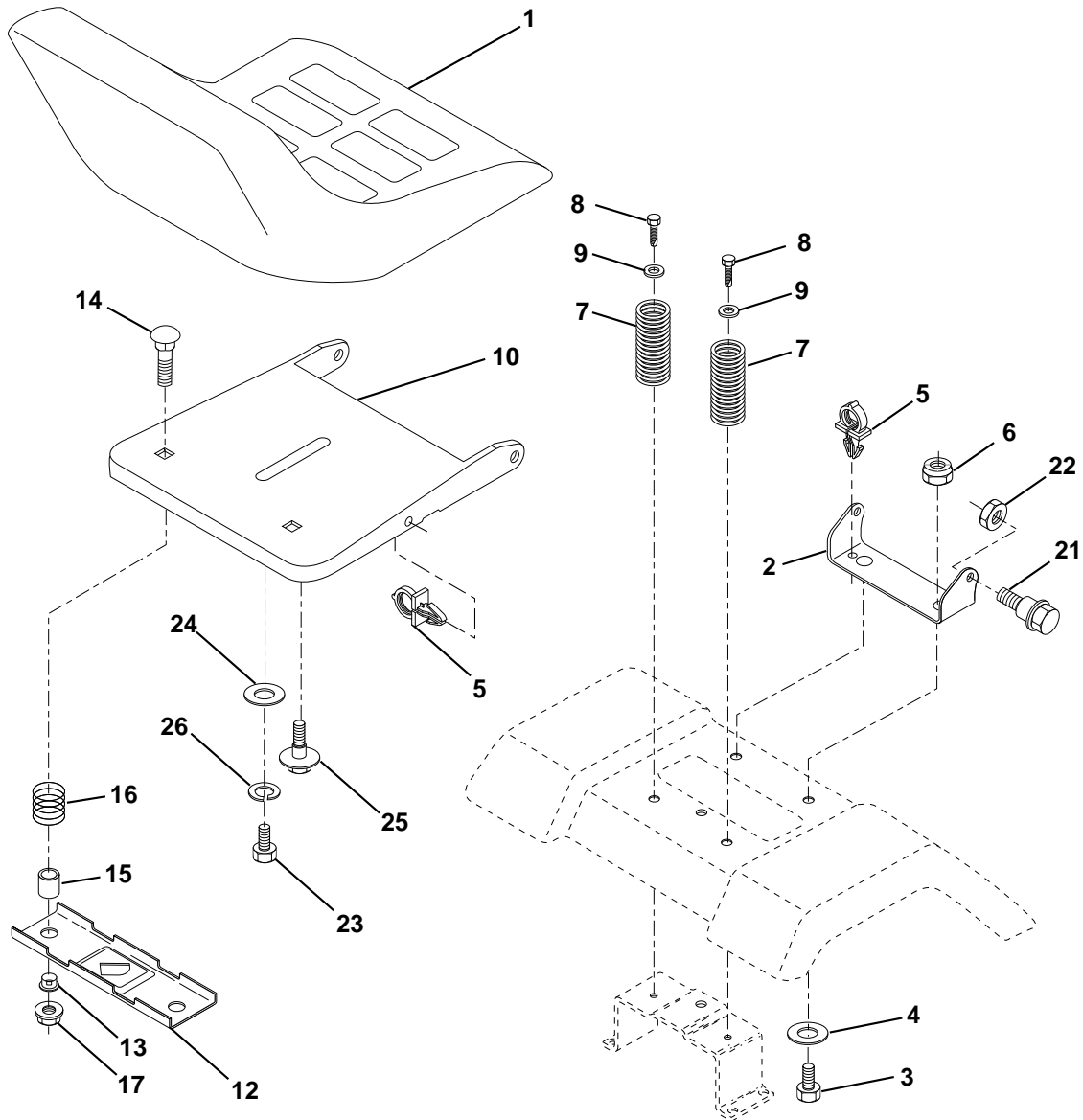
KEY NO.	PART NO.	DESCRIPTION
1	532124415	Wheel Steering
2	532154427	Axle Asm STMP Dropped STL
3	532156483	Spindle Asm LH
4	532157473	Spindle Asm RH
5	532124931	Bearing Race Thrust Harden
6	532121748	Washer 25/32 X 1-5/8 X 16 Ga
7	819272016	Washer 27/32 X 1-1/4 X 16 Ga
8	812000029	Ring Klip #t5304-75
9	532124937	Bearing Col Strg Blk
10	532156438	Link Drag Extended Stamp
11	810040600	Washer Lock Hvy Hlcl Spr 3/8
13	532154779	Bearing Axle STLT/GT
15	873901000	Nut Lock Flange 5/8-11 Unc
17	532156546	Shaft Asm Strg
18	532057079	Washer Thrust 515x 750x 033
19	532124035	Support Shaft
20	532126684	Washer Shim 1/4 X 5/8 X 062
22	871200410	Screw Hex Socket 1/4-20 x 5/8
23	532127501	Shaft Asm Pittman
25	532154406	Bracket Steering
26	532126847	Bushing Link Drag Blk LR
27	532136874	Gear Sector
28	819131416	Washer 13/32 X 7/8 X 16 Ga
29	817490612	Screw Thdrol 3/8-16x3/4 Ty-tt
30	876020412	Pin Cotter 1/8 X 3/4 Cad
32	532130465	Rod Tie Wire Form 19 75 Mech
36	532155099	Bushing Strg
37	532152927	Screw
38	532124416	Insert Cap Strg Wh Au
39	819133808	Washer 13/32 X 2-3/8 X 8 Ga
40	532124701	Lock nut
41	532100711	Adaptor Wheel Strg
42	532155092	Boot Steering Shaft
43	532121749	Washer 25/32 X 1 1/4 X 16 Ga
44	532153720	Extension Steering Shaft LR/LT
46	532121232	Cap Spindle Fr Top Blk
47	532124836	Fitting Grease
51	873800500	Nut Lock Hex w/Ins 5/16-18
54	874780520	Bolt Fin Hex 5/16-18 Unc x 1-1/4
62	532156594	Kit, Steering Assembly Svc
63	874780616	Bolt Fin Hex 3/8-16unc x 1 Gr. 5
65	532154780	Spacer Axle
66	532154404	Bearing Arm Pittman
67	874781044	Bolt, Fin Hex 5/8-11 UNC x 2-3/4
68	532154429	Axle, Brace

**NOTE:** All component dimensions given in U.S. inches.  
1 inch = 25.4 mm.

# REPAIR PARTS

TRACTOR - MODEL NO. LTH120 (954140003D), PRODUCT NO. 954 14 00-03

## SEAT ASSEMBLY



### KEY PART NO. NO.

### DESCRIPTION

1	532140838	Seat
2	532140551	Bracket Pivot Seat 8 720
3	874760616	Bolt Fin Hex 3/8-16unc X 1
4	819131610	Washer 13/32 X 1 X 10 Ga
5	532145006	Clip Push-In
6	873800600	Nut Hex w/Ins. 3/8-16 Unc
7	532124181	Spring Seat Cprsn 2 250 Blk Zi
8	817490616	Screw Thdrol 3/8-16 X 1 Ty-tt
9	819131614	Washer 13/32 X 1 X 14 Ga.
10	532155925	Pan Seat
12	532121246	Bracket Mounting Switch
13	532121248	Bushing Snap Blk Nyl 50 Id

### KEY PART NO. NO.

### DESCRIPTION

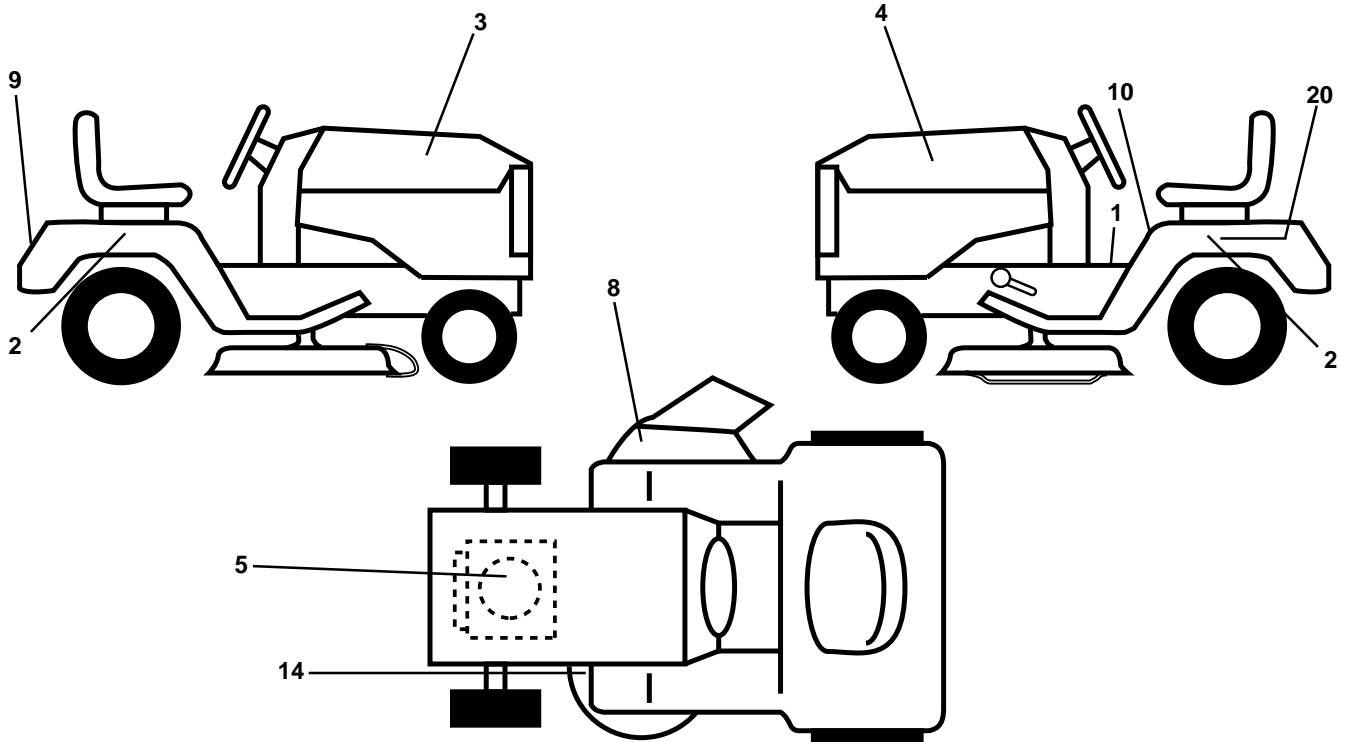
14	872050412	Bolt Rdhd Sqnk 1/4-20x1-1/2
15	532134300	Spacer Split 28x 96 Yel Zinc
16	532121250	Spring Cprsn 1 27 Blk Pnt
17	532123976	Nut Lock 1/4 Lge Flg Gr 5 Zinc
21	532153236	Bolt Shoulder 5/16-18 Unc
22	873800500	Nut Hex Lock W/Ins 5/16-18
23	874780814	Bolt, Hex Head, Fin 1/2-13 x 7/8 Grade 5
24	819171912	Washer 17/32 X 1-3/16 X 12 Ga.
25	532127018	Bolt Shoulder 5/16-18 X 62
26	810040800	Washer Lock

**NOTE:** All component dimensions given in U.S. inches.  
1 inch = 25.4 mm

# REPAIR PARTS

TRACTOR - MODEL NO. LTH120 (954140003D), PRODUCT NO. 954 14 00-03

## DECALS



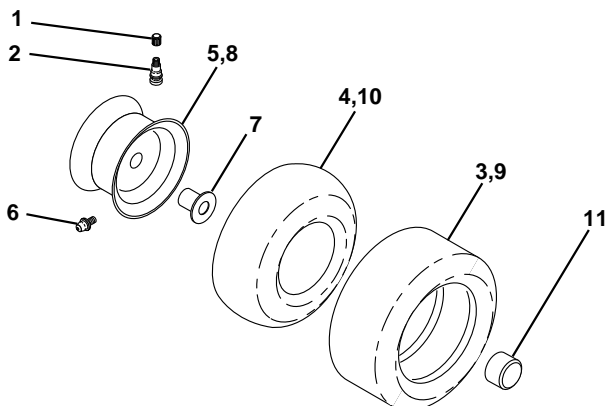
KEY NO.	PART NO.	DESCRIPTION
1	532157032	Decal Oper. Step Thru Eng/Fr
2	532157007	Decal Fender Auto Husq Radius
3	532157193	Decal Hood RH
4	532157195	Decal Hood LH
5	532165285	Decal HP Engine
8	532137259	Decal Warning
9	532150617	Decal Fender Husq
10	532157140	Decal Fender Danger Eng/Fr
14	532136832	Decal V-Belt Schematic
20	532145005	Decal Bat Dan/Psn
--	532154515	Pad Footrest LH STLT

KEY NO.	PART NO.	DESCRIPTION
--	532154516	Pad Footrest RH STLT
--	532138311	Decal Handle Lft Height Adjust
--	532142341	Decal Drawbar Cntrl Mvt Hyd
--	532165356	Manual Owner's (English)
--	532165357	Manual Owner's (French)

Available accessories not included with tractor:

--	MK380	Mulcher Kit with Blades
--	C38	Grass Catcher

## WHEELS & TIRES

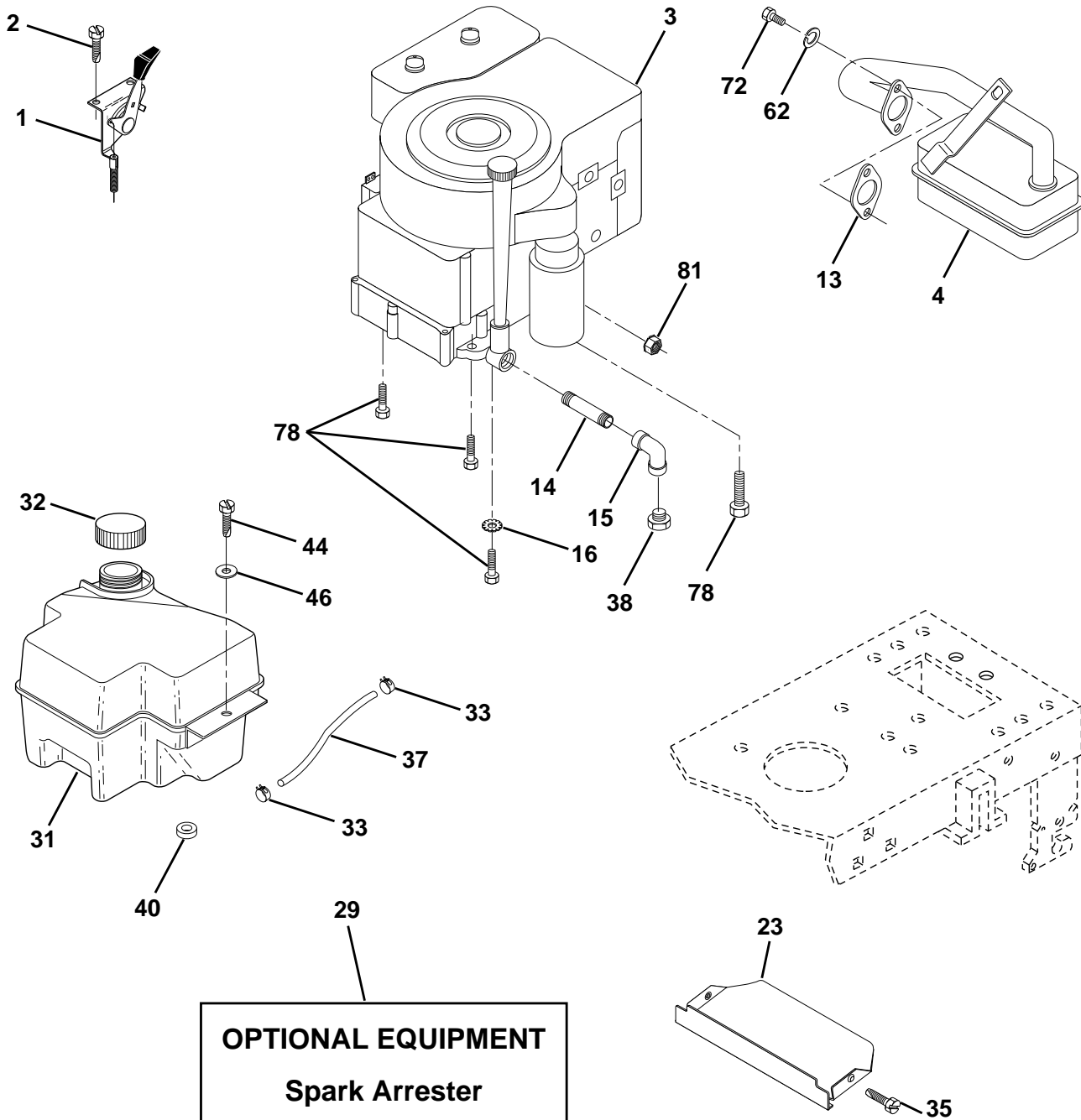


KEY NO.	PART NO.	DESCRIPTION
1	532059192	Cap Valve Tire
2	532065139	Stem Valve
3	532106222	Tire F Ts 15 X 6 0 - 6 Service
4	532059904	Tube Front (Service Item Only)
5	532138336	Rim Asm 6"front Silver Service
6	532124957	Fitting Grease (Front Wheel Only)
7	532124959	Bearing Flange (Front Wheel Only)
8	532138337	Rim Asm 8"rear Silver Service
9	532124635	Tire R Ts 18x8 5-8 C Service
10	532124926	Tube Rear (Service Item Only)
11	532104757	Cap Axle Blk 1 50 X 1 00
--	532144334	Sealant, Tire ( 10 oz. Tube)

**NOTE:** All component dimensions given in U.S. inches  
1 inch = 25.4 mm

# REPAIR PARTS

TRACTOR - MODEL NO. LTH120 (954140003D), PRODUCT NO. 954 14 00-03  
ENGINE



# REPAIR PARTS

TRACTOR - MODEL NO. LTH120 (954140003D), PRODUCT NO. 954 14 00-03

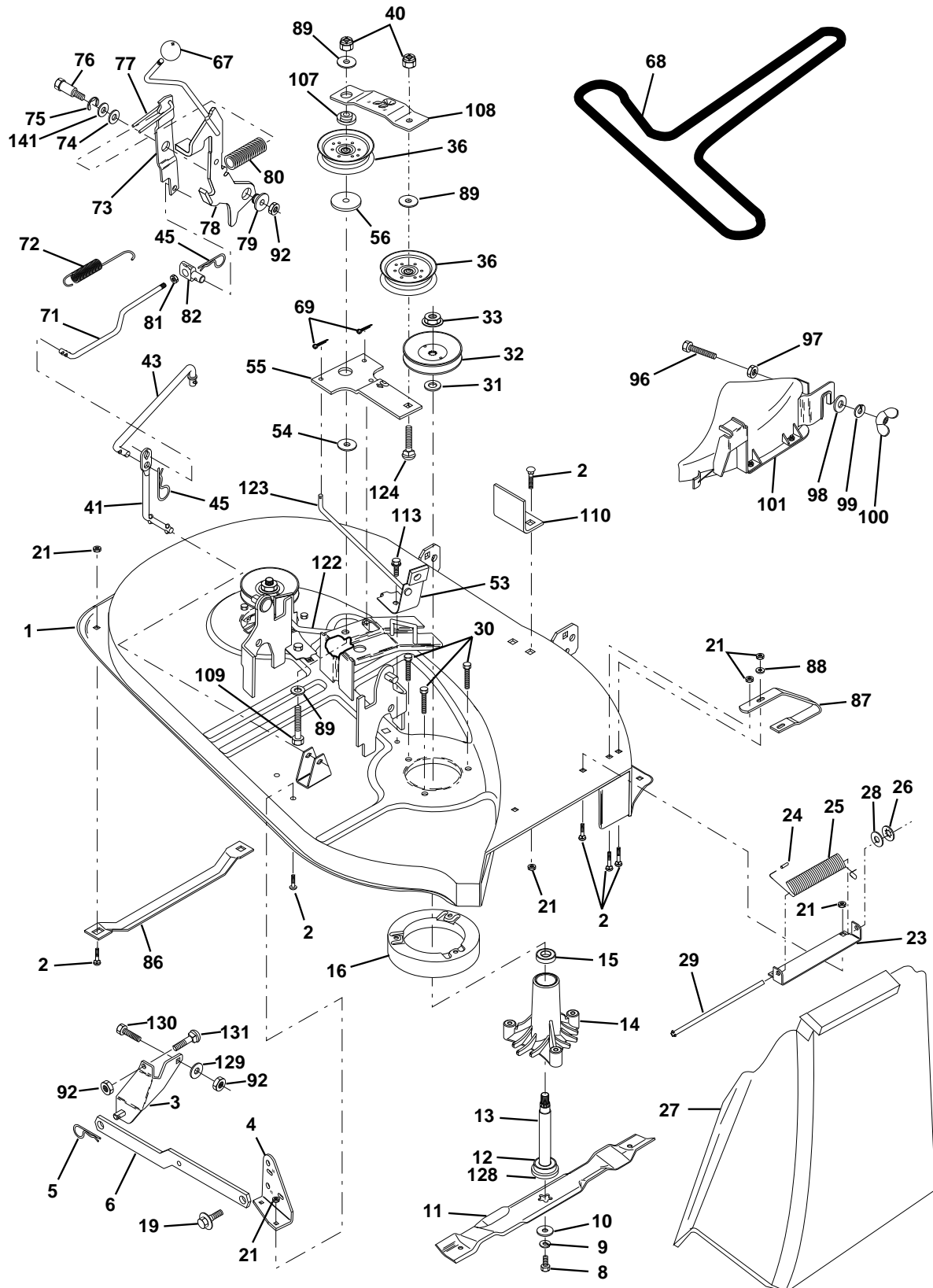
## ENGINE

KEY NO.	PART NO.	DESCRIPTION
1	532140310	Control Th/ch 23 5 LH Flag
2	817720410	Screw Hex Thd Cut 1/4-20x5/8 T
3	-----	Engine, Briggs 289707
4	532137348	Muffler LT B&S 12/12.5/13HP
13	532272293	Gasket Eng 1 313 Id Tin Plated
14	813280324	Nipple Pipe 3/8 Npt X 3"
15	813200300	Elbow Std 90 Degree 3/8-18 Npt
16	811050600	Washer Lock Ext Tooth 3/8
23	532159880	shield Brn/Dbr Guard
29	532137180	Kit Spark Arrestor (Flat Scrn)
31	532161911	Tank Fuel Front 2 00
32	532140527	Cap Asm Fuel W/sym Vented
33	532123487	Clamp Hose Black
35	817490512	Screw
37	532137040	Line Fuel 20"
38	-----	Plug Oil Drain (Order From Engine Manufacturer)
40	532124028	Bushing Snap Nyl Blk Fuel Line
44	817490412	Screw Hexwsh Thdrol 1/4-20x3/4
46	819091416	Washer 9/32 X 7/8 X 16 Ga
62	810040500	Washer Lock Hvy Hlcl Spr 5/16
72	871070512	Screw Hexhd Cap 5/16-18x 3/4
78	817490620	Screw Thdrol 3/8-16x1-1/4 TYTT
81	532128861	Nut Flange 1/4-20 Starter Nut

**NOTE:** All component dimensions given in U.S. inches  
1 inch = 25.4 mm

# REPAIR PARTS

TRACTOR - MODEL NO. LTH120 (954140003D), PRODUCT NO. 954 14 00-03  
MOWER DECK



# REPAIR PARTS

TRACTOR - MODEL NO. LTH120 (954140003D), PRODUCT NO. 954 14 00-03

## MOWER DECK

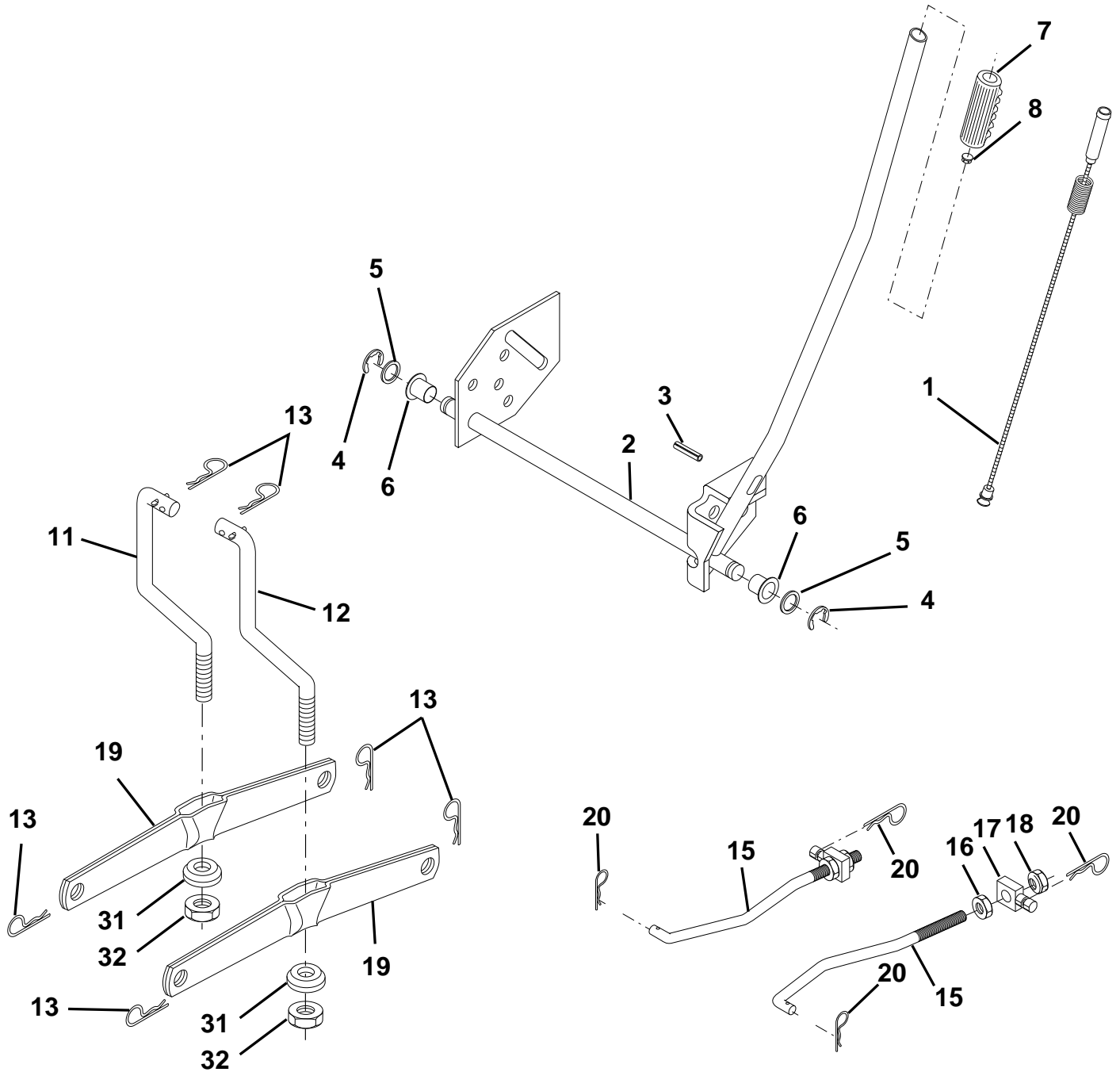
KEY NO.	PART NO.	DESCRIPTION	KEY NO.	PART NO.	DESCRIPTION
1	532142829	Deck Asm Weldment	73	532127847	Arm Clutch Secondary
2	872140506	Bolt Rdhd Sqnk 5/16-18unc X3/4	74	532121748	Washer 25/32 X 1-5/8 X 16 Ga
3	532138017	Bracket Asm Fr Sway Bar 38/42	75	812000029	Ring Klip #t5304-75
4	532138440	Bracket Asm Deck Sway Bar	76	532128903	Bolt Shoulder 3/8-16 Unc 1 44
5	532124670	Retainer Spring	77	532127845	Keeper Spring 4 000
6	532130832	Arm Suspension Rear	78	532160570	Arm Asm Clutch Primary
8	532850857	Bolt 3/8 - 24 X 1.25 Gr 8	79	532127498	Bushing 747 Od X 794 Lg Brass
9	810030600	Washer Lock Hvy 3/8	80	532153701	Spring Clutch Mower
10	532140296	Washer Hard Blade Mower Vented	81	873350600	Nut Hex Jam 3/8-16
11	532134148	Blade Mower Mulching 38"	82	532142028	Trunnion Adj 94
12	532129895	Bearing Ball #6024 (Mandrel)	86	532125074	Runner, LH
13	532137645	Shaft Asm W/lower Bearing	87	532128772	Runner, RH
14	532128774	Housing Mandrel Vented	88	819111216	Washer 11/32 x 3/4 x 16 Ga.
15	532110485	Bearing Ball Mandrel	89	819131612	Washer 13/32 x 1 x 12 Ga.
16	532140329	Stripper Mower Vented	92	873800600	Nut Lock Hex W/Ins 3/8-16 Unc
19	532132827	Bolt Shoulder	96	874930620	Bolt 3/8-16 x 1-1/4 Mulcher
21	873680500	Nut Crownlock 5/16-18 UNC	97	873930600	Nut Crownlock 3/8-16 UNC
23	532137607	Bracket Deflector Mower	98	819132016	Washer 13/32 x 1-1/4 x 16 Ga.
24	532105304	Cap Sleeve 80x 112 Blk Mower	99	810040600	Washer Lock Hvy Hlcl Spr 3/8
25	532123713	Spring Torsion Deflector 2 52	100	532135651	Nut Wing
26	532110452	Nut Push Phos & Oil	101	532132803	Cover Asm Mulching 38"
27	532106736	Shield Deflector	107	532133502	Spacer, Retainer
28	819111016	Washer 11/32 X 5/8 X 16 Ga	108	532133503	Stiffener, Idler Arm
29	532106735	Rod Hinge	109	874760640	Bolt, Hex Head 3/8-16 x 2-1/2
30	532157722	Screw Thdrol Rolling Washer Head	110	532142587	Upstop Deck Front 38"
31	532129963	Washer Spacer Mower Vented	113	817490512	Screw Thdrol 5/16-18 X 3/4
32	532153532	Pulley Mandrel	122	532131289	Rod, Brake, LH
33	532137266	Nut 9/16 Toplock Fng Oil Dip	123	532131288	Rod, Brake, RH
36	532131494	Pulley Idler Flat 3 060	124	872110614	Bolt, Carriage 3/8-16 x 1-3/4
40	873680600	Nut Crownlock 3/8-16 UNC	128	532153390	Washer Felt
41	532133551	Rod Pivot W/nibs	129	819131312	Washer 13/32 x 13/16 x 12 Ga.
43	532133504	Rod Clutch Secondary	130	874780616	Bolt, Fin Hex 3/8-16 UNC x 1 Gr. 5
45	532124788	Spring Retainer 1" Zinc/cad	131	872140608	Bolt, Rdhd Sqnk 3/8-16 x 1
53	532130840	Asm Brake	141	532124931	Washer Thrust .75 x 1.230
54	532133943	Washer Hardened	--	532130794	Mandrel Asm Service (Includes Key Nos. 8-10, 12-15, 31 and 33)
55	532133840	Arm Idler	--	532142820	Mower Deck Complete (Std. Deck - order separately mulcher plate components key nos. 96-101)
56	532122052	Spacer Retainer Pm Mower			
67	532162132	Knob Rd 7/16-14 Plstc Thds Blk			
68	532144200	V-Belt Mower			
69	876020312	Pin, Cotter 3/32 x 3/4			
71	532142427	Rod Clutch Primary 38/42			
72	532131870	Spring Return			

**NOTE:** All component dimensions given in U.S. inches  
1 inch = 25.4 mm

# REPAIR PARTS

TRACTOR - MODEL NO. LTH120 (954140003D), PRODUCT NO. 954 14 00-03

## MOWER LIFT





# REPAIR PARTS

TRACTOR - MODEL NO. LTH120 (954140003D), PRODUCT NO. 954 14 00-03

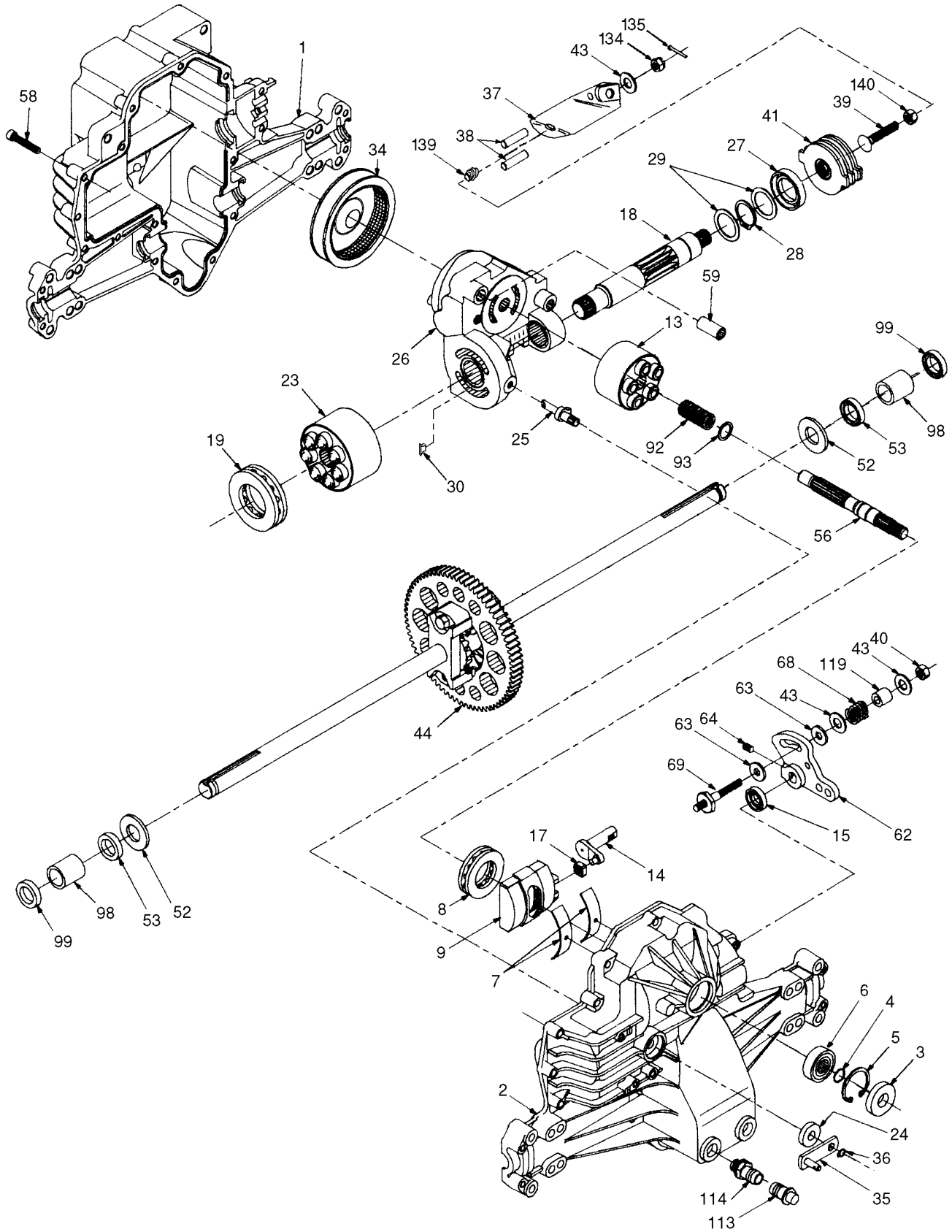
## MOWER LIFT

KEY NO.	PART NO.	DESCRIPTION
1	532159460	Wire Asm Inner W/plunger LT
2	532159471	Shaft Asm Lift
3	532105767	Pin Groove
4	812000002	E Ring #5133-62
5	819211621	Washer PLTD 21/32 X 1 X 21ga
6	532120183	Bearing Nylon Blk 629 Id
7	532109413	Grip Handle Bicycle
8	532124526	Button Plunger Black
11	532139865	Link Lift LH
12	532139866	Link Lift RH
13	532124670	Retainer Spring
15	532127218	Link Front
16	873350800	Nut Jam Hex 1/2-13 Unc
17	532130171	Trunnion Blk Zinc
18	873680800	Nut Crownlock 1/2-13 Unc
19	532139868	Arm Suspension Rear
20	532163552	Spring, Retainer
31	532140302	Bearing Pvt. Lift Spherical
32	873540600	Nut Crownlock 3/8-24

**NOTE:** All component dimensions given in U.S. inches  
1 inch = 25.4 mm

# REPAIR PARTS

TRACTOR - MODEL NO. LTH120 (954140003D), PRODUCT NO. 954 14 00-03  
HYDRO GEAR TRANSAXLE - MODEL NUMBER 319-0500



# REPAIR PARTS

TRACTOR - MODEL NO. LTH120 (954140003D), PRODUCT NO. 954 14 00-03

## HYDRO GEAR TRANSAXLE - MODEL NUMBER 319-0500

KEY PART NO. NO.	DESCRIPTION	KEY PART NO. NO.	DESCRIPTION
1 142986	Housing, Lower	40 150778	Locknut, Hex 5/16-24 UNJC
2 142987	Assembly, Upper Housing	41 142958	Brake Rotor/Stator Kit
3 142932	Seal, Lip	43 142884	Washer 7/16 x 7/8 x .060
4 142928	Ring, Wire Retaining	44 142990	Differential Assembly
5 142933	Ring, Retaining	52 142991	Washer 3/4 x 1.5 x .13
6 142934	Bearing, Shaft Ball	53 142961	Seal .75 x 1.25 x .250
7 142935	Bearing, Cradle	56 142963	Shaft, Input
8 150771	Bearing, Thrust 30 x 52 x 13	58 142964	Bolt 1/4-20 x 1.38
9 142937	Swashplate, Variable	59 142965	Pin .5 OD x .43 ID x .750
13 142938	Block, Cylinder Assembly	62 142966	Arm, Control
14 142939	Arm, Trunnion	63 142967	Puck, Dampener
15 142940	Seal, Lip	64 142920	Set Screw
17 142941	Guide, Slot	68 142969	Spring
18 150772	Shaft, Motor	69 144610	Stud 5/16-24
19 150773	Bearing, Thrust 42 x 68 x 16	92 142977	Spring, Block
23 142944	Block, Cylinder Assembly	93 142978	Washer, Block Thrust
24 142945	Seal, Lip 10 x 25 x 7	98 142993	Sleeve Bearing
25 142946	Actuator, Bypass	99 142976	Seal, Wiper
26 150774	Center Section Assembly Kit	113 142917	Cap, Vent Assembly
27 142948	Seal, Lip 26 x 42 x 8	114 142918	Fitting, O-Ring Assembly
28 142949	Ring, Retaining	119 142980	Spacer
29 142950	Washer 26 x 35 x 1	134 144607	Nut, Castle 5/16-24
30 150787	Nut, Jam	135 144608	Pin, Cotter
34 142951	Oil Filter Element	139 150775	Spring, Compression
35 142952	Arm, Bypass	140 150776	Nut, Hex 5/16-24
36 142953	Ring, Retaining		
37 142954	Arm, Actuating		
38 142955	Pin, Actuating		
39 150777	Bolt 5/16-24 x 1-3/4		

**NOTE:** All component dimensions given in U.S. inches  
1 inch = 25.4 mm