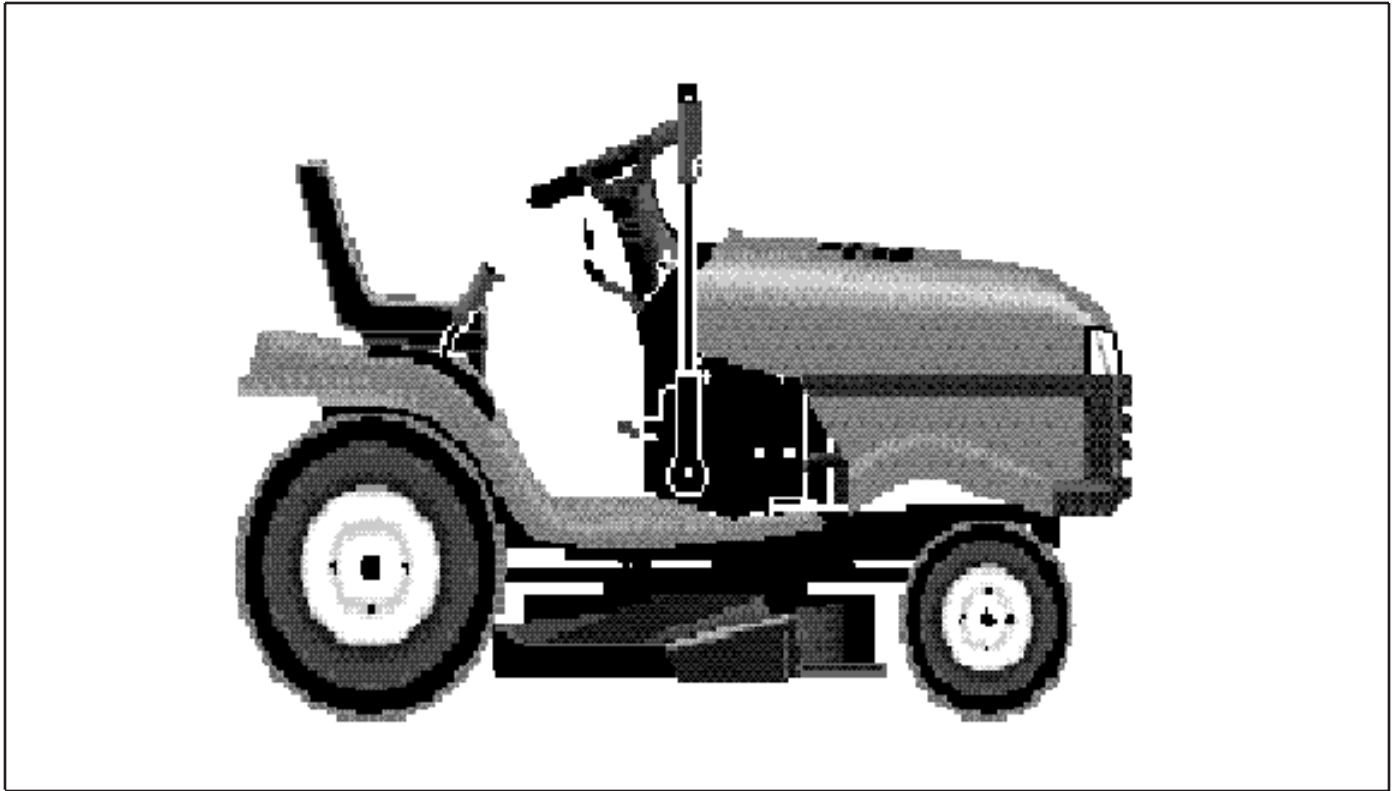


LTH 130



07.1998
PARTS LISTING

954140005H

REPAIR PARTS

TRACTOR - MODEL NO. LTH130 (954140005H), PRODUCT NO. 954 14 00-05

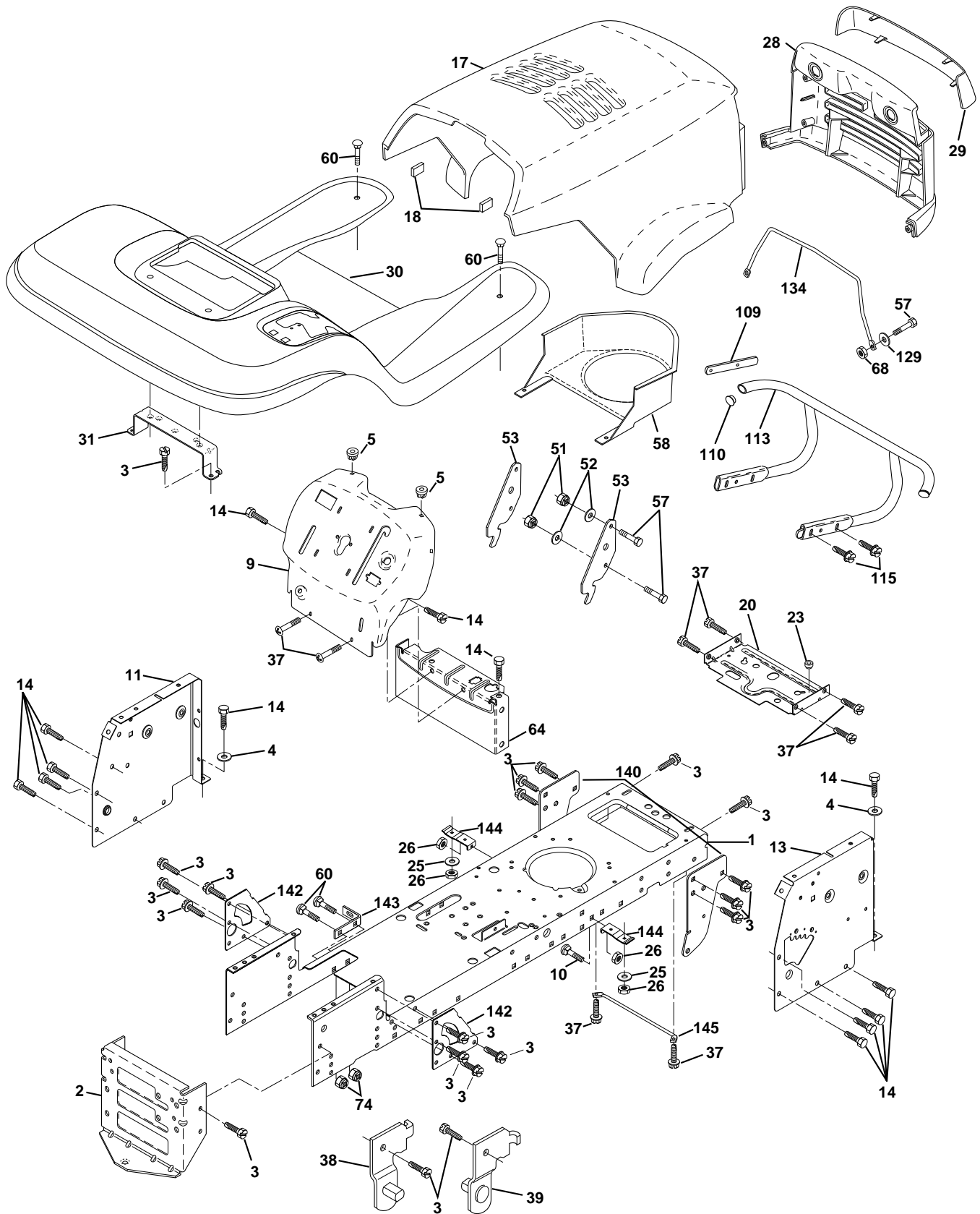
ELECTRICAL

| KEY NO. | PART NO. | DESCRIPTION |
|---------|-----------|--------------------------------------|
| 1 | 532144925 | Battery 12 Volt 25 AMP |
| 2 | 874760412 | Bolt Hex Hd 1/4-20unc x 3/4 |
| 3 | 819091016 | Washer 9/32 x 5/8 x 16 Ga. |
| 4 | 810040400 | Washer Lock Hvy Helical 1/4 |
| 6 | 873220400 | Nut Fin Hex 1/4-20 Unc |
| 8 | 532156417 | Case Battery Mech Hinge |
| 16 | 532153664 | Switch Interlock Push-In |
| 19 | 810090400 | Washer Lock 1/4 |
| 20 | 873350400 | Nut Jam Hex 1/4-20 Unc |
| 21 | 532136850 | Harness Asm Light W/4152j |
| 22 | 532004152 | Bulb Light #1156 |
| 24 | 532124780 | Cable Battery 6 Ga 11" red |
| 25 | 532146147 | Cable Battery 6 Ga 44" red w/16 wire |
| 26 | 532108824 | Fuse 30 AMP Auto Green |
| 28 | 532124773 | Cable Ground 6 Ga 12" black |
| 29 | 532160784 | Switch Plunger Normal OP Olive |
| 30 | 532140301 | Switch Ign 4 pos w/lights |
| 31 | 532124211 | Nut Ignition |
| 32 | 532141226 | Cover Sw Ignition |
| 33 | 532122147 | Key Ign Molded Indak |
| 40 | 532160720 | Harness Ign. |
| 41 | 871110408 | Bolt Blk Fin Hex 1/4 - 20 x 1/2 |
| 42 | 532131563 | Cover Terminal Red |
| 43 | 532145673 | Solenoid |
| 44 | 873640400 | Nut Keps Hex 1/4-20 Unc |
| 48 | 532140844 | Adapter Ammeter Rectangular |
| 50 | 532154959 | Switch PTO 3PDT Black Delta 96 |
| 51 | 532140405 | Ring Retainer PTO |
| 52 | 532141940 | Protection Wire Loop |
| 70 | 532140426 | Harness, Eng. kohl Cmd-L |
| 80 | 532146685 | Harness Clutch EVX |
| 81 | 532109748 | Relay Asm |

NOTE: All component dimensions given in U.S. inches.
1 inch = 25.4 mm.

REPAIR PARTS

TRACTOR - MODEL NO. LTH130 (954140005H), PRODUCT NO. 954 14 00-05
CHASSIS AND ENCLOSURES



REPAIR PARTS

TRACTOR - MODEL NO. LTH130 (954140005H), PRODUCT NO. 954 14 00-05

CHASSIS AND ENCLOSURES

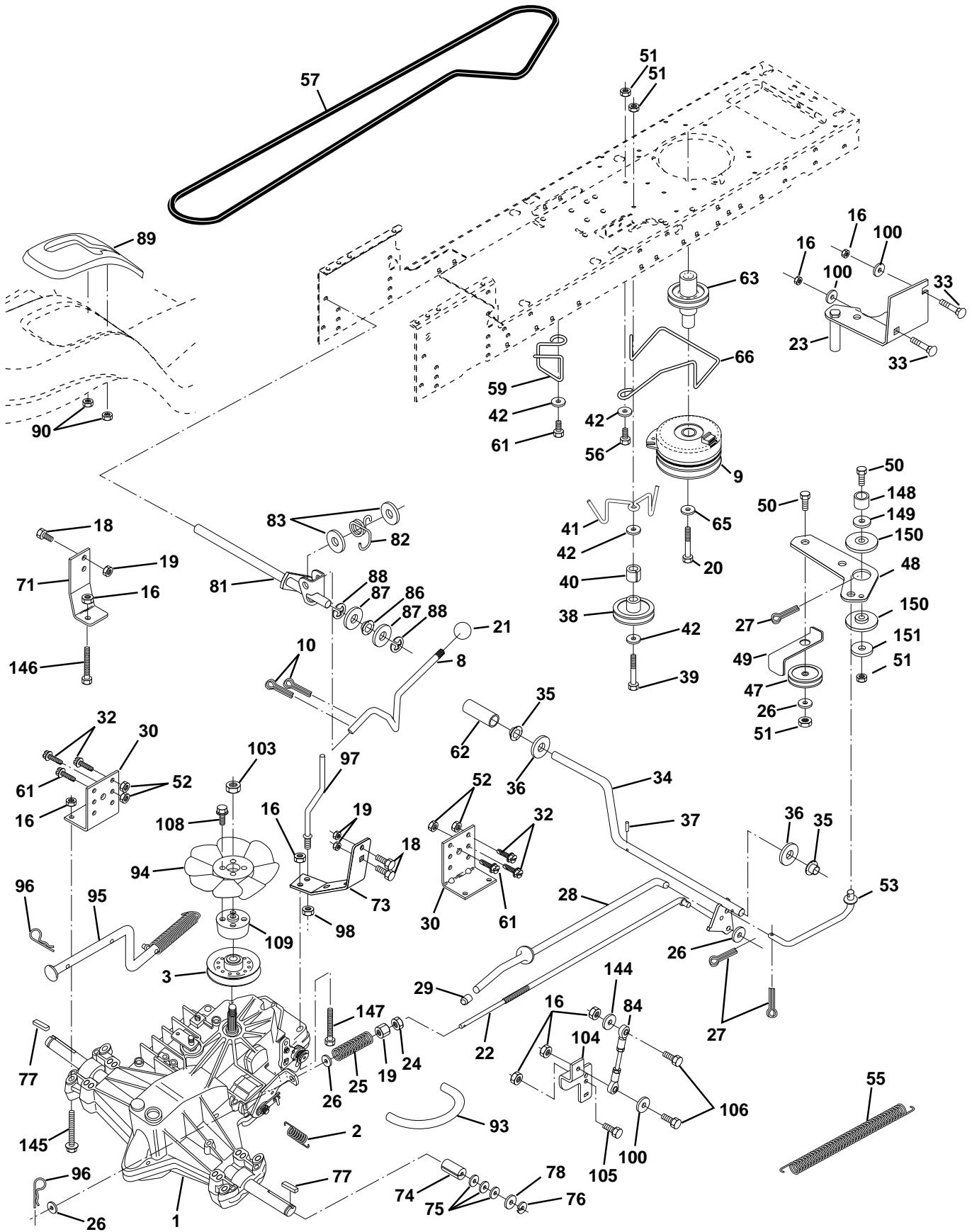
| KEY NO. | PART NO. | DESCRIPTION |
|---------|-----------|---------------------------------------|
| 1 | 532160392 | Chassis STL Stamping 98 |
| 2 | 532140356 | Drawbar, Stretch |
| 3 | 817490612 | Screw Thdrol 3/8-16x3/4 Ty-tt |
| 4 | 819131216 | Washer 13/32 x 3/4 x 16 Ga. |
| 5 | 532155272 | Bumper Hood/Dash |
| 9 | 532157409 | Dash P/L M, N/AMM N/HM Grey |
| 10 | 872140608 | Bolt Carriage 3/8-16 x 1 |
| 11 | 532155927 | Panel Dash Lh |
| 13 | 532157262 | Panel Dash Rh |
| 14 | 817490608 | Screw Thdrol 3/8-16x1/2 Ty-tt |
| 17 | 532165378 | Hood LT/PL Husqvarna |
| 18 | 532126938 | Bumper Hood |
| 20 | 532156437 | Plate Mtg Battery Fuel Tank Fr |
| 23 | 532124028 | Bushing |
| 25 | 819131312 | Washer 13/32 X 13/16 X 12 Ga |
| 26 | 873800600 | Nut Lock Hex W/Ins 3/8-16 Unc |
| 28 | 532165379 | Grille LT/PL Husqvarna |
| 29 | 532165380 | Lens LT/PL Husqvarna |
| 30 | 532156489 | Fender Footrest STLT Pnt |
| 31 | 532139976 | Bracket Support Fender |
| 37 | 817490508 | Screw Thdrol 6/16-18 x 1/2 TYT |
| 38 | 532139886 | Bracket, Asm. Pivot, L.H., Mower Rear |
| 39 | 532139887 | Bracket, Asm. Pivot, R.H., Mower Rear |
| 51 | 873800400 | Nut Lock Hex W/Ins 1/4-20 |
| 52 | 819091416 | Washer 9/32 x 7/8 x 16 Ga. |
| 53 | 532150067 | Bracket Pnt. Pick off LT/PL Husqvarna |
| 57 | 874780412 | Bolt Hex 1/4-20 x 3/4 |
| 58 | 532150127 | Air Duct Engine P/L |
| 60 | 872140606 | Bolt Rdhd Sqnk 3/8-16unc x 3/4 |
| 64 | 532154798 | Dash Lower STLT |
| 68 | 873510400 | Nut Keps Hex 1/4-20 UNC |
| 74 | 873680600 | Nut Crownlock 3/8-16 UNC |
| 109 | 532141461 | Bracket Extension Bumper |
| 110 | 532143679 | Plug Plastic |
| 113 | 532150300 | Bumper Asm. |
| 115 | 817490620 | Screw Thdrol 3/8-16 x 1-1/4 |
| 129 | 819091016 | Washer 9/32 x 5/8 x 16 Ga. |
| 134 | 532160219 | Rod Support Hood LT/PL Husq. |
| 140 | 532158418 | Bracket Suspension Front |
| 142 | 532156095 | Plate Reinforcement STLT |
| 143 | 532154966 | Bracket Swaybar Chassis |
| 144 | 532154207 | Bracket Pnt Footrest STLT |
| 145 | 532156524 | Rod Pivot Chassis/Hood |
| -- | 532005479 | Plug Button |

NOTE: All component dimensions given in U.S. inches
1 inch = 25.4 mm

REPAIR PARTS

TRACTOR - MODEL NO. LTH130 (954140005H), PRODUCT NO. 954 14 00-05

DRIVE



REPAIR PARTS

TRACTOR - MODEL NO. LTH130 (954140005H), PRODUCT NO. 954 14 00-05

DRIVE

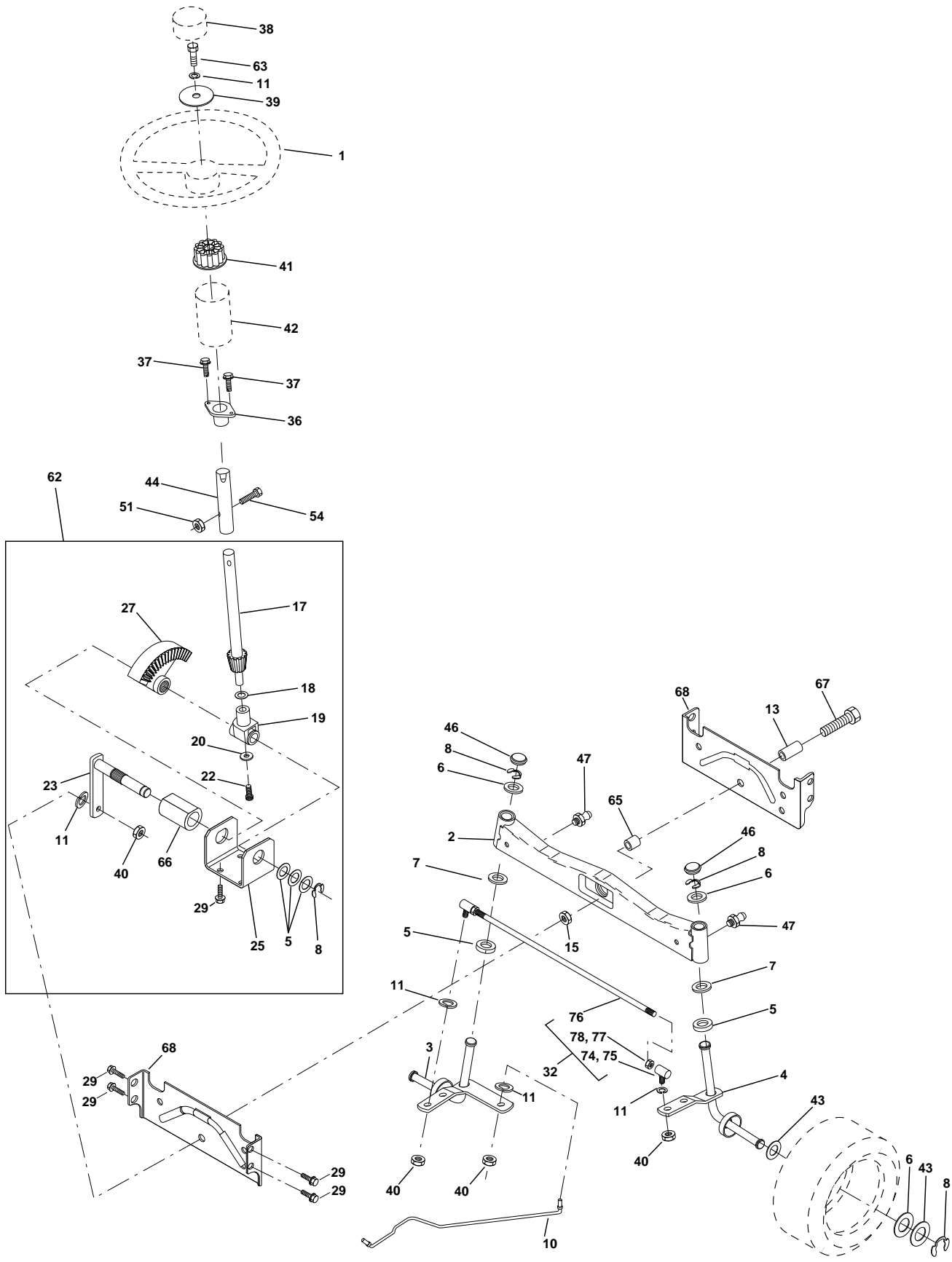
| KEY NO. | PART NO. | DESCRIPTION | KEY NO. | PART NO. | DESCRIPTION |
|---------|-----------|--|---------|-----------|--|
| 1 | ----- | Transaxle (See Breakdown) Hydro Gear, Model No. 319-0500 | 61 | 817490612 | Screw Thdrol. 3/8-16 x 3/4 Ty. TT Cover, Pedal |
| 2 | 532142431 | Spring, Return, Brake | 62 | 532124872 | Pulley, Clutch Electric EVX |
| 3 | 532144698 | Pulley, Transaxle | 63 | 532145868 | Washer |
| 8 | 532154792 | Rod Shift Fender STLT | 65 | 810040700 | Keeper Belt Engine Hydro |
| 9 | 532145028 | Clutch, Elect. EVX LT Mag 5217-2 | 66 | 532154778 | Strap Torque Lh Hydro |
| 10 | 876020416 | Pin Cotter 1/8 x 1 CAD | 71 | 532141417 | Strap Torque Rh Hydro |
| 16 | 873800500 | Nut Lock Hex W/Ins. 5/16-18 Unc P | 73 | 532141418 | Spacer, Split |
| 18 | 874780616 | Bolt Fin Hex 3/8-16 Unc x 1 Gr. 5 | 74 | 532121199 | Washer 25/32 x 1-1/4 x 16 Gauge |
| 19 | 873800600 | Nut Lock Hex W/Wsh 3/8-16 Unc | 75 | 532121749 | E-Ring |
| 20 | 532150280 | Bolt Hex 7/16-20 x 4-1/4 Ga. 1.38 | 76 | 812000001 | Key, Square |
| 21 | 532121274 | Knob, Duckhead 1/2-13 | 77 | 532123583 | Washer 25/32 x 1-5/8 x 16 Gauge |
| 22 | 532145627 | Rod, Brake Hydro | 78 | 532121748 | Shaft Asm. Cross Hydro |
| 23 | 532154978 | Bracket, Asm Clutch Mtg EVX | 81 | 532156048 | Spring Torsion T/A |
| 24 | 873350600 | Nut | 82 | 532123782 | Washer 17/32 x 3/4 x 16 Ga. |
| 25 | 532106888 | Spring, Brake Rod | 83 | 819171216 | Rod, Tie Hydro |
| 26 | 819131316 | Washer | 84 | 532141423 | Bushing Rod Steering 629/632 ID |
| 27 | 876020412 | Pin Cotter 1/8 x 3/4 CAD. | 86 | 532157480 | Washer 21/32 x 1-1/4 x 16 Ga. |
| 28 | 532145204 | Rod, Parking Brake | 87 | 819212016 | Ring Klip #5304-62 |
| 29 | 532071673 | Cap, Parking Brake | 88 | 812000008 | Console, Shift |
| 30 | 532130807 | Bracket, Transaxle | 89 | 532158388 | Nut, Self-Thd Wsh-hd 1/4 Zinc |
| 32 | 874760512 | Bolt Hex Hd 5/16-18 Unc x 3/4 | 90 | 532124346 | Line Fuel Hydro 4" |
| 33 | 872140506 | Bolt Rdhd Sqnk 5/16-18 UNC x 3/4 | 93 | 532142564 | Fan, Hydro 7" |
| 34 | 532155071 | Shaft, Foot Pedal | 94 | 532140462 | Control Asm Bypass Hydro |
| 35 | 532120183 | Bearing, Nylon | 95 | 532144643 | Retainer Spring 1" Zinc/Cad |
| 36 | 819211616 | Washer | 96 | 532124788 | Keeper Belt Rh Hydro |
| 37 | 532124963 | Pin, Roll | 97 | 532144201 | Nut Keps Hex 3/8-16 Unc |
| 38 | 532123674 | Pulley, Idler, Flat | 98 | 873510600 | Washer 11/32 x 3/4 x 16 Ga. |
| 39 | 874760644 | Bolt | 100 | 819111216 | Nut Nylon Insert 1/2-20 Unf. |
| 40 | 532124965 | Spacer, Split | 103 | 873940800 | Arm, Control Hydro |
| 41 | 532154777 | Keeper, Belt Idler | 104 | 532141421 | Screw Cap Hex 5/16 x 18 x 1 |
| 42 | 819131312 | Washer 13/32 x 13/16 x 12 Gauge | 105 | 871070516 | Bolt Fin Hex 5/16-18 Unc x 1-1/4 |
| 47 | 532127783 | Pulley, Idler, V-Groove | 106 | 874780520 | Screw Hex Wh Hd #10-24 x |
| 48 | 532154407 | Bellcrank Clutch Grnd Drv Stl | 108 | 817541026 | Adaptor Fan Hydro LT Hyd Alum |
| 49 | 532123205 | Retainer, Belt | 109 | 532145098 | Washer 11/32 x 5/8 x 16 Ga. |
| 50 | 874760624 | Bolt | 144 | 819111016 | Bolt, Hex Flghd 5/16-18 Gr. 5 |
| 51 | 873680600 | Nut | 145 | 874490540 | Bolt Hex Flghd 5/16-18 x 2-1/4 |
| 52 | 873680500 | Nut Crownlock 5/16-18 | 146 | 874490536 | Bolt Hex Flghd 5/16-18 x 1-1/2 |
| 53 | 532105710 | Link, Clutch | 147 | 874990524 | Spacer |
| 55 | 532105709 | Spring, Return, Clutch | 148 | 532159103 | Spacer Retainer PM Mower |
| 56 | 874760620 | Bolt Fin Hex 3/8-16 UNC x 1-1/4 | 149 | 532122052 | Bushing Nylon Collered |
| 57 | 532141416 | V-Belt, Ground Drive | 150 | 532150935 | Washer 13/32 x 2 x 10 Ga. |
| 59 | 532140312 | Keeper, Center Span | 151 | 819133210 | |

NOTE: All component dimensions give in U.S. inches.
1 inch = 25.4 mm.

REPAIR PARTS

TRACTOR - MODEL NO. LTH130 (954140005H), PRODUCT NO. 954 14 00-05

STEERING ASSEMBLY



REPAIR PARTS

TRACTOR - MODEL NO. LTH130 (954140005H), PRODUCT NO. 954 14 00-05

STEERING ASSEMBLY

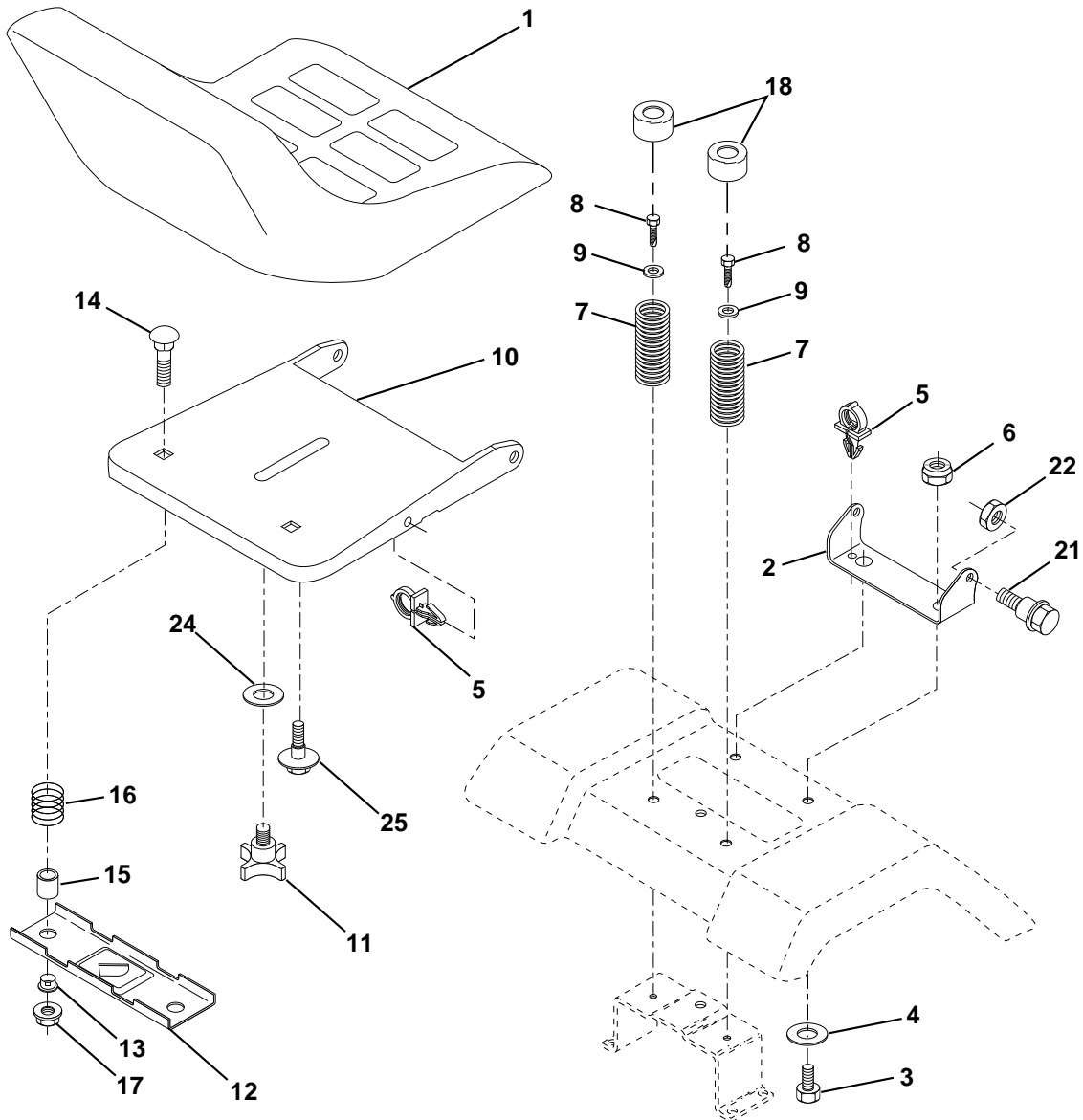
| KEY NO. | PART NO. | DESCRIPTION |
|---------|-----------|----------------------------------|
| 1 | 532124415 | Wheel Steering |
| 2 | 532137094 | Axle Front Casting Machined |
| 3 | 532157479 | Spindle Asm LH Cast 15" |
| 4 | 532157478 | Spindle Asm RH Cast 15" |
| 5 | 532124931 | Bearing Race Thrust Harden |
| 6 | 532121748 | Washer 25/32 X 1-5/8 X 16 Ga |
| 7 | 819272016 | Washer 27/32 X 1-1/4 X 16 Ga |
| 8 | 812000029 | Ring Klip #t5304-75 |
| 10 | 532154432 | Link Drag Extended Cast |
| 11 | 810040600 | Washer Lock Hvy Hlcl Spr 3/8 |
| 13 | 532154779 | Bearing Axle STLT/GT |
| 15 | 873901000 | Nut Lock Flange 5/8-11 Unc |
| 17 | 532156546 | Shaft Asm Strg |
| 18 | 532057079 | Washer Thrust 515x 750x 033 |
| 19 | 532124035 | Support Shaft |
| 20 | 532126684 | Washer Shim 1/4 X 5/8 X 062 |
| 22 | 871200410 | Screw Hex Socket 1/4-20 x 5/8 |
| 23 | 532127501 | Shaft Asm Pittman |
| 25 | 532154406 | Bracket Steering |
| 27 | 532136874 | Gear Sector |
| 29 | 817490612 | Screw Thdrol 3/8-16x3/4 Ty-tt |
| 32 | 532137347 | Rod Asm Tie Ball J Adj VGT |
| 36 | 532155099 | Bushing Strg |
| 37 | 532152927 | Screw |
| 38 | 532124416 | Insert Cap Strg Wh Au |
| 39 | 819133808 | Washer 13/32 X 2-3/8 X 8 Ga |
| 40 | 532124701 | Lock nut |
| 41 | 532100711 | Adaptor Wheel Strg |
| 42 | 532155092 | Boot Steering Shaft |
| 43 | 532121749 | Washer 25/32 X 1 1/4 X 16 Ga |
| 44 | 532153720 | Extension Steering Shaft LR/LT |
| 46 | 532121232 | Cap Spindle Fr Top Blk |
| 47 | 532124836 | Fitting Grease |
| 51 | 873800500 | Nut Lock Hex w/Ins 5/16-18 |
| 54 | 874780520 | Bolt Fin Hex 5/16-18 Unc x 1-1/4 |
| 62 | 532156594 | Kit, Steering Assembly Svc |
| 63 | 874780616 | Bolt Fin Hex 3/8-16unc x 1 Gr. 5 |
| 65 | 532154780 | Spacer Axle |
| 66 | 532154404 | Bearing Arm Pittman |
| 67 | 874781044 | Bolt, Fin Hex 5/8-11 UNC x 2-3/4 |
| 68 | 532154429 | Axle, Brace |
| 74 | 532109850 | Joint Asm Ball Rh |
| 75 | 532109851 | Joint Asm Ball Lh |
| 76 | 532137156 | Rod Tie Ball J Adj |
| 77 | 873700600 | Nut Hex Jam 3/8-24 Unf Lh |
| 78 | 873360600 | Nut Hex Jam 3/8-24 Unf |

NOTE: All component dimensions given in U.S. inches.
1 inch = 25.4 mm.

REPAIR PARTS

TRACTOR - MODEL NO. LTH130 (954140005H), PRODUCT NO. 954 14 00-05

SEAT ASSEMBLY



KEY PART NO. NO.

DESCRIPTION

| | | |
|----|-----------|--------------------------------|
| 1 | 532140838 | Seat |
| 2 | 532140551 | Bracket Pivot Seat 8 720 |
| 3 | 874760616 | Bolt Fin Hex 3/8-16unc X 1 |
| 4 | 819131610 | Washer 13/32 X 1 X 10 Ga |
| 5 | 532145006 | Clip Push-In |
| 6 | 873800600 | Nut Hex w/Ins. 3/8-16 Unc |
| 7 | 532124181 | Spring Seat Cprsn 2 250 Blk Zi |
| 8 | 817490616 | Screw Thdrol 3/8-16 X 1 Ty-tt |
| 9 | 819131614 | Washer 13/32 X 1 X 14 Ga. |
| 10 | 532155925 | Pan Seat |
| 11 | 532120068 | Knob Seat 1/2-13 UNC Blk |
| 12 | 532121246 | Bracket Mounting Switch |

KEY PART NO. NO.

DESCRIPTION

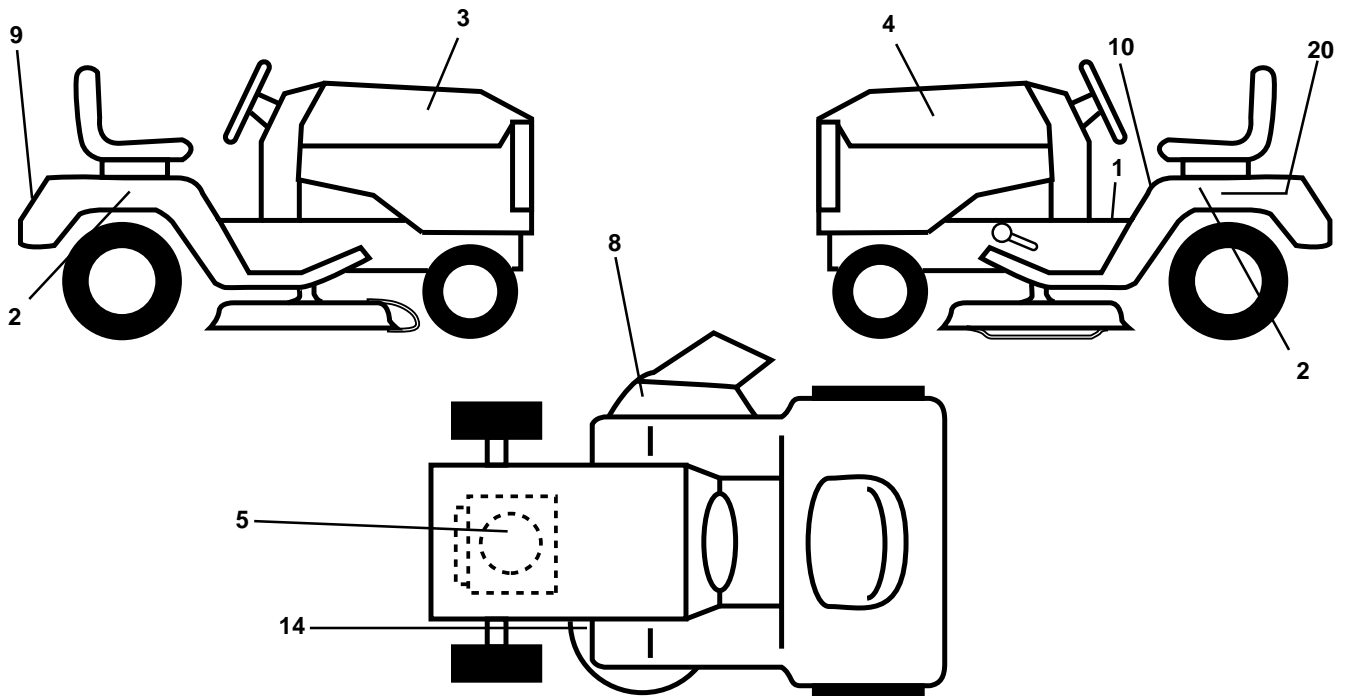
| | | |
|----|-----------|--------------------------------|
| 13 | 532121248 | Bushing Snap Blk Nyl 50 Id |
| 14 | 872050412 | Bolt Rdhd Sqnk 1/4-20x1-1/2 |
| 15 | 532134300 | Spacer Split 28x 96 Yel Zinc |
| 16 | 532121250 | Spring Cprsn 1 27 Blk Pnt |
| 17 | 532123976 | Nut Lock 1/4 Lge Flg Gr 5 Zinc |
| 18 | 532124238 | Cap Spring Seat |
| 21 | 532153236 | Bolt Shoulder 5/16-18 Unc |
| 22 | 873800500 | Nut Hex Lock W/Ins 5/16-18 |
| 24 | 819171912 | Washer 17/32 X 1-3/16 X 12 Ga. |
| 25 | 532127018 | Bolt Shoulder 5/16-18 X 62 |

NOTE: All component dimensions given in U.S. inches.
1 inch = 25.4 mm

REPAIR PARTS

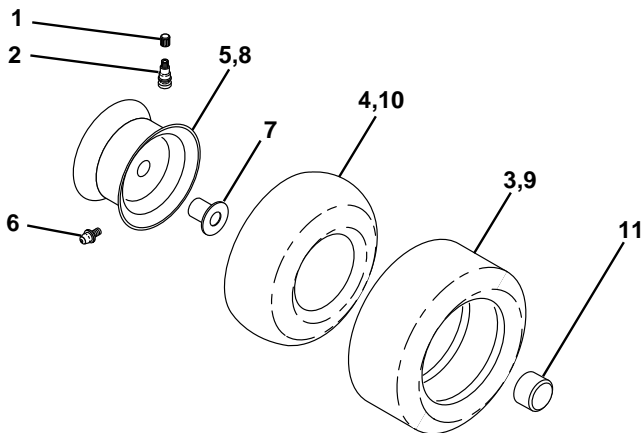
TRACTOR - MODEL NO. LTH130 (954140005H), PRODUCT NO. 954 14 00-05

DECALS



| KEY NO. | PART NO. | DESCRIPTION | KEY NO. | PART NO. | DESCRIPTION |
|---------|-----------|--------------------------------|--|-----------|--------------------------------|
| 1 | 532157032 | Decal Oper Step Thru Eng/Fr | -- | 532154516 | Pad Footrest RH STLT |
| 2 | 532157007 | Decal Fender Auto Husq. Radius | -- | 532138311 | Decal Handle Lft Height Adjust |
| 3 | 532150725 | Decal Hood RH | -- | 532142341 | Decal Drawbar Cntrl Mvt Hyd LT |
| 4 | 532150726 | Decal Hood LH | -- | 532165374 | Manual Owner's (English) |
| 5 | 532151124 | Decal HP Engine | -- | 532165375 | Manual Owner's (French) |
| 8 | 532137259 | Decal Warning | Available accessories not included with tractor: | | |
| 9 | 532150617 | Decal Fender Husq | -- | LSB42 | 42" Snow Blower |
| 10 | 532157140 | Decal Fender Danger Eng/Fr | -- | LC05 | Wheel Wts (pair) |
| 14 | 532160396 | Decal V-Belt Schematic | -- | CH12 | Tire Chains 18 x 8.5 x 8 |
| 20 | 532145005 | Decal Bat Dan/Psn | -- | LBD48 | 48" Snow Blade |
| -- | 532154515 | Pad Footrest LH STLT | -- | MP42 | Mulch Plate |

WHEELS & TIRES



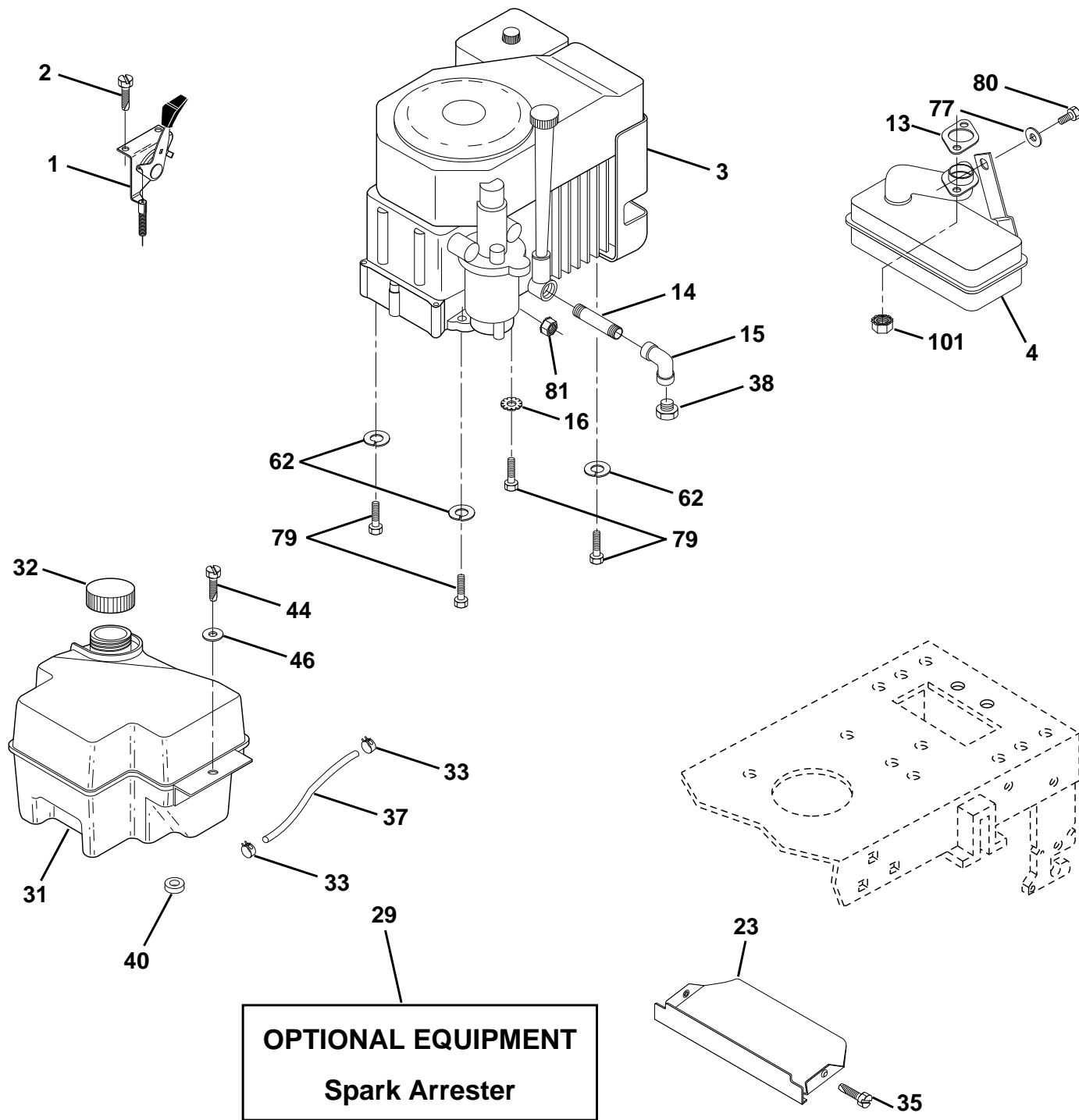
| KEY NO. | PART NO. | DESCRIPTION |
|---------|-----------|-----------------------------------|
| 1 | 532059192 | Cap Valve Tire |
| 2 | 532065139 | Stem Valve |
| 3 | 532106222 | Tire F Ts 15 X 6 0 - 6 Service |
| 4 | 532059904 | Tube Front (Service Item Only) |
| 5 | 532138336 | Rim Asm 6" front Silver Service |
| 6 | 532124957 | Fitting Grease (Front Wheel Only) |
| 7 | 532124959 | Bearing Flange (Front Wheel Only) |
| 8 | 532138337 | Rim Asm 8" rear Silver Service |
| 9 | 532124635 | Tire R Ts 18x8 5-8 C Service |
| 10 | 532124926 | Tube Rear (Service Item Only) |
| 11 | 532104757 | Cap Axle Blk 1 50 X 1 00 |
| -- | 532144334 | Sealant, Tire (10 oz. Tube) |

NOTE: All component dimensions given in U.S. inches
1 inch = 25.4 mm

REPAIR PARTS

TRACTOR - MODEL NO. LTH130 (954140005H), PRODUCT NO. 954 14 00-05

ENGINE



REPAIR PARTS

TRACTOR - MODEL NO. LTH130 (954140005H), PRODUCT NO. 954 14 00-05

ENGINE

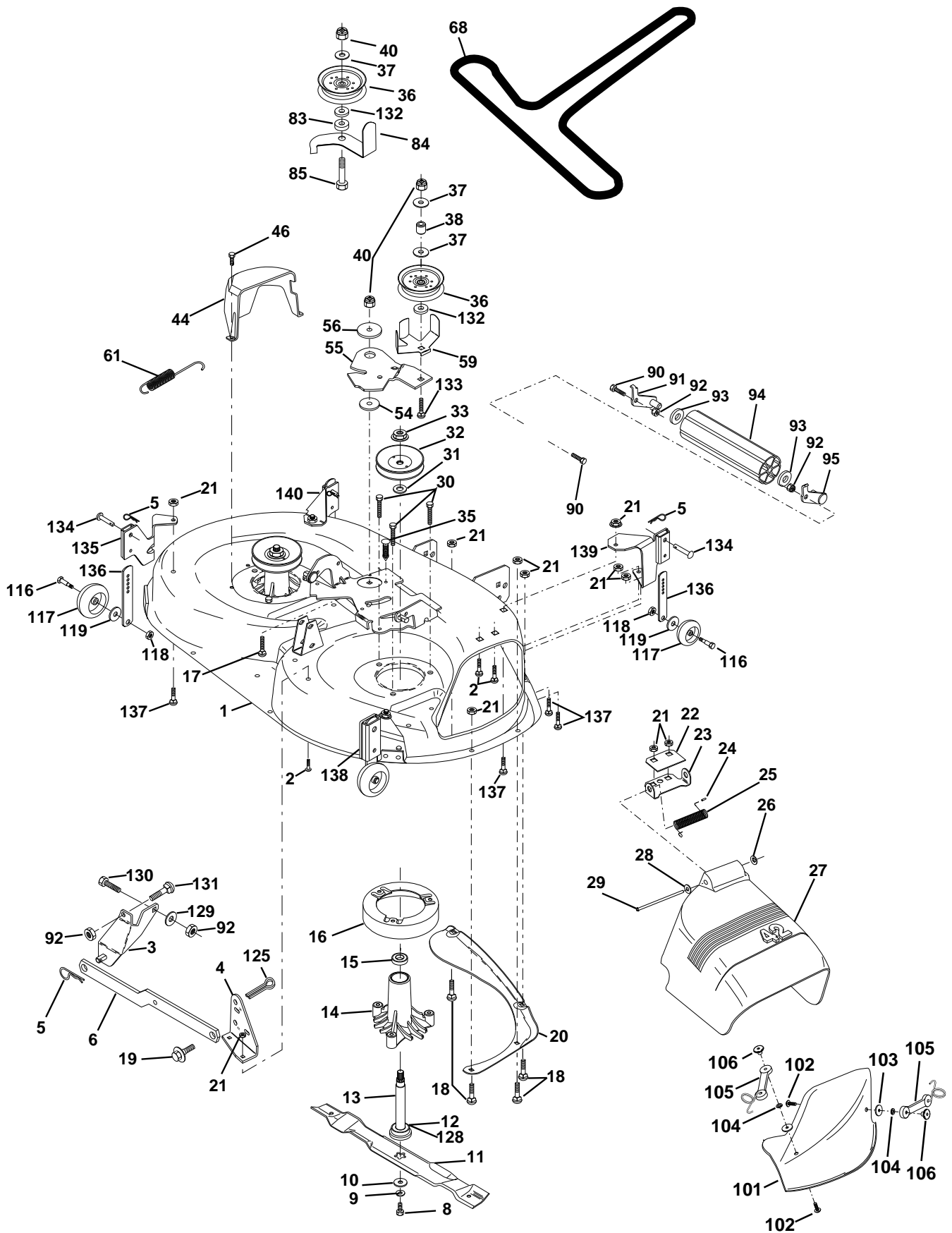
| KEY NO. | PART NO. | DESCRIPTION |
|---------|-----------|---|
| 1 | 532141296 | Control THTICH 27 LH FLAG DOM |
| 2 | 817720410 | Screw Hex Thd Cut 1/4-20 x 5/8 T |
| 3 | ----- | Engine Kohler CV15S |
| 4 | 532137350 | Muffler |
| 13 | 532163831 | Gasket Kohler CV13-CV16.5 |
| 14 | 813280328 | Nipple Pipe 3/8 Npt X 3-1/2 |
| 15 | 813200300 | Elbow Std 90 Degree 3/8-18 Npt |
| 16 | 811050500 | Washer Lock Ext Tooth 5/16 |
| 23 | 532159880 | Shield Browning/Debris Guard |
| 29 | 532137180 | Kit Spark Arrestor (Flat Scrn) |
| 31 | 532161911 | Tank Fuel Front 2 00 Gal Nat |
| 32 | 532140527 | Cap Asm Fuel W/sym Vented |
| 33 | 532123487 | Clamp Hose Black |
| 35 | 817490512 | Screw |
| 37 | 532137040 | Line Fuel 20" |
| 38 | ----- | Plug Oil Drain (Order From Engine Manufacturer) |
| 40 | 532124028 | Bushing Snap Nyl Blk Fuel Line |
| 44 | 817490412 | Screw Hexwsh Thdrol 1/4-20x3/4 |
| 46 | 819091416 | Washer 9/32 X 7/8 X 16 Ga |
| 62 | 810040500 | Washer Lock Hvy Hlcl Spr 5/16 |
| 77 | 819101216 | Washer 5/16 x 3/4 x 16 Ga. |
| 79 | 532125398 | Bolt Hex |
| 80 | 874760508 | Bolt Hex Hd 5/16-18 UNC x 1/2 |
| 81 | 532128861 | Nut Flange 1/4-20 Starter Nut |
| 101 | 532163305 | Nut Flange Me-1.25 Non-LK |

NOTE: All component dimensions given in U.S. inches
1 inch = 25.4 mm

REPAIR PARTS

TRACTOR - MODEL NO. LTH130 (954140005H), PRODUCT NO. 954 14 00-05

MOWER DECK



REPAIR PARTS

TRACTOR - MODEL NO. LTH130 (954140005H), PRODUCT NO. 954 14 00-05

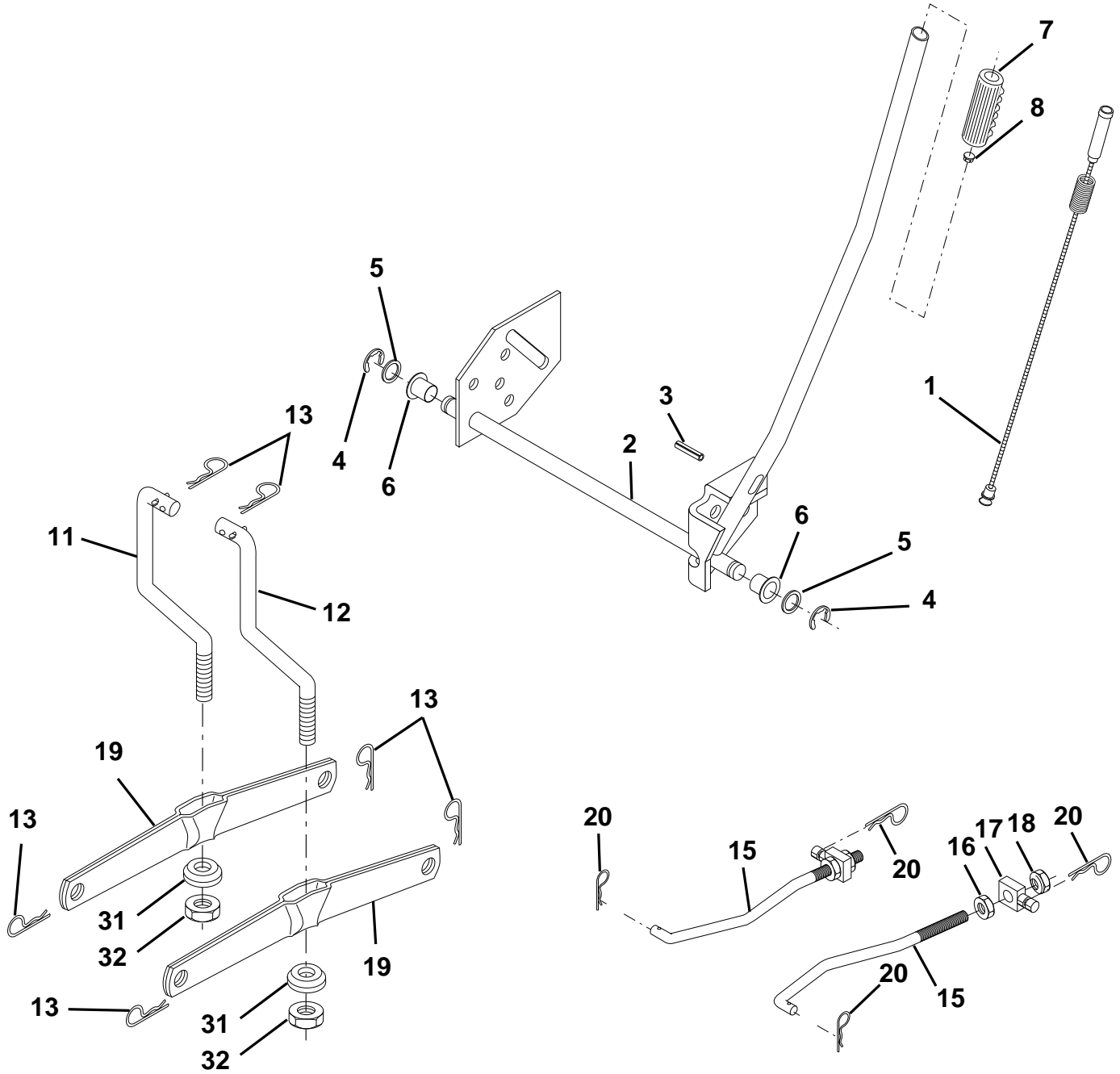
MOWER DECK

| KEY NO. | PART NO. | DESCRIPTION | KEY NO. | PART NO. | DESCRIPTION |
|---------|-----------|--------------------------------|---------|-----------|--|
| 1 | 532162809 | Deck Weldment Mower 42" W/Adj | 59 | 532141043 | Guard, Belt |
| 2 | 872140506 | Bolt Rdhd Sqnk 5/16-18unc X3/4 | 61 | 532131950 | Spring Ext. Elect |
| 3 | 532138017 | Bracket Asm Fr Sway Bar 38/42 | 68 | 532144200 | V-Belt Mower |
| 4 | 532138440 | Bracket Asm Deck 42"sway Bar | 83 | 532120958 | Washer Sintered |
| 5 | 532124670 | Retainer Spring | 84 | 532156084 | Keeper 'Belt Idler |
| 6 | 532130832 | Arm Suspension Rear | 85 | 872140620 | Bolt Carriage 3/8-16 x 2-1/2 Gr.5 |
| 8 | 532850857 | Bolt 3/8-24x1 25 Gr8 Patched | 90 | 874760616 | Bolt Fin Hex 3/8-16unc X 1 |
| 9 | 810030600 | Washer Lock Hvy 3/8 Unplated | 91 | 532132274 | Bracket Asm Noseroller LH |
| 10 | 532140296 | Washer Hard Blade Mower Vented | 92 | 873800600 | Nut Lock Hex w/ins. 3/8-16 UNC |
| 11 | 532134149 | Blade Mower Mulching 42" | 93 | 819171416 | Washer 17/32 X 7/8 X 16 Ga |
| 12 | 532129895 | Bearing Ball #6204 (Mandrel) | 94 | 532132264 | Roller Nose 38 & 42 |
| 13 | 532137645 | Shaft Asm W/lower Bearing | 95 | 532132273 | Bracket Asm Noseroller RH |
| 14 | 532128774 | Housing Mandrel Vented(machd) | 101 | 532136420 | Cover Mulching 42" Blk |
| 15 | 532110485 | Bearing Ball Mandrel | 102 | 871161010 | Screw |
| 16 | 532140329 | Stripper Round Mower | 103 | 819061216 | Washer #10 |
| 17 | 872110618 | Bolt Rdhd Sqnk 3/8-16 X 2-1/4 | 104 | 810071000 | Washer Lock #10 |
| 18 | 872140505 | Bolt Carr 5/16-18 X 5/8 | 105 | 532160793 | Latch Asm Bagger |
| 19 | 532132827 | Bolt Shoulder | 106 | 532125004 | Nut Weld .327/.304 #10-24 |
| 20 | 532159770 | Baffle Vortex 42 | 116 | 532137644 | Bolt Shld |
| 21 | 873680500 | Nut Crown Lock 5/16-18 | 117 | 532133957 | Wheel Gauge blk. |
| 22 | 532134753 | Stiffener Bracket 42"deck | 118 | 873930600 | Nut Centerlock 3/8 - 16 UNC |
| 23 | 532131267 | Bracket Deflector Mower 42" | 119 | 819121414 | Washer 3/8 x 7/8 x 14 Ga. |
| 24 | 532105304 | Cap Sleeve 80x 112 Blk Mower | 125 | 876020816 | Cotter Pin |
| 25 | 532123713 | Spring Torsion Deflector 2 52 | 128 | 532153390 | Washer Felt |
| 26 | 532110452 | Nut Push Phos & Oil | 129 | 819131312 | Washer 13/32 x 13/16 x 12 Ga. |
| 27 | 532130968 | Shield Deflector Mower 42" Blk | 130 | 874780616 | Bolt Fin Hex 3/8-16 UNC x 1 Gr. 5 |
| 28 | 819111016 | Washer 11/32 X 5/8 X 16 Ga | 131 | 872140608 | Bolt Rdhd Sqnk 3/8-16 Unc x 1 |
| 29 | 532131491 | Rod Hinge 42"6 75 Wlg | 132 | 819132203 | Washer 13/32 x 1-3/8 x 3 Ga |
| 30 | 532157722 | Screw Thdrol Washer Head | 133 | 872110622 | Bolt Rdhd 3/8-16 UNC x 2-3/4 Gr.5 |
| 31 | 532129963 | Washer Spacer Mower Vented | 134 | 532156941 | Pin Head Rivet |
| 32 | 532153535 | Pulley Mandrel 42" | 135 | 532159765 | Bracket Asm Whl Ga Rear LH 42" |
| 33 | 532137266 | Nut 9/16top Lock Flng Cntr | 136 | 532155986 | Bar Pnt Adjusting Wheel Gauge |
| 35 | 532133835 | Fastner Christmas Tree | 137 | 872110505 | Bolt Carr 5/16-18 x 5/8 Short |
| 36 | 532131494 | Pulley Idler Flat 3 060 | 138 | 532159763 | Bracket Asm Whl Ga. Rear RH 42" |
| 37 | 819131316 | Washer 13/32 X 13/16 X 16 Ga | 139 | 532159767 | Bracket Asm Whl Ga. Front RH 42" |
| 38 | 532132823 | Spacer Spring Stop Idler | 140 | 532159768 | Bracket Asm Whl Ga. Front RH 42" |
| 40 | 873680600 | Nut Lock 3/8-16 Unc | -- | 532162859 | Deck Serv 42" Elec Vent (Standard Deck - Order Nose Roller, Gauge Wheel and Mulcher Plate components separately Key Nos. 90-95, 101-106 and 111-121) |
| 44 | 532140088 | Guard Mandrel LH Black | | | |
| 46 | 532137729 | Screw Thdrol 1/4-20x5/8 | | | |
| 54 | 532133943 | Washer Hardened | | | |
| 55 | 532140084 | Arm Idler 42"mower LT/YT | | | |
| 56 | 532122052 | Spacer Retainer Pm Mower | -- | 532130794 | Mandrel Assembly (Includes Key Numbers 8-10, 12-15, 31 and 33) |

REPAIR PARTS

TRACTOR - MODEL NO. LTH130 (954140005H), PRODUCT NO. 954 14 00-05

MOWER LIFT



REPAIR PARTS

TRACTOR - MODEL NO. LTH130 (954140005H), PRODUCT NO. 954 14 00-05

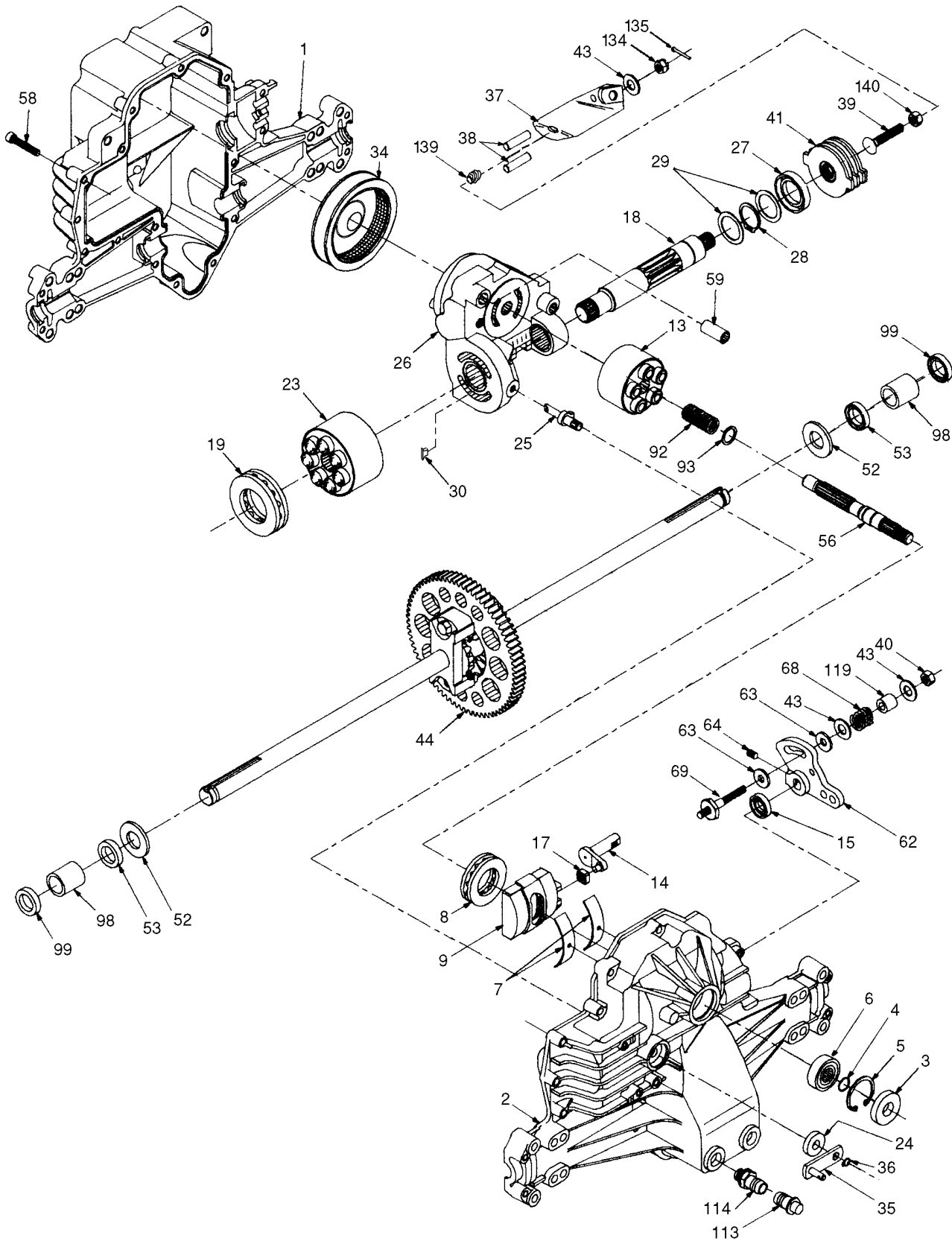
MOWER LIFT

| KEY NO. | PART NO. | DESCRIPTION |
|---------|-----------|------------------------------|
| 1 | 532159460 | Wire Asm Inner W/plunger |
| 2 | 532159471 | Shaft Asm Lift |
| 3 | 532105767 | Pin Groove |
| 4 | 812000002 | E Ring #5133-62 |
| 5 | 819211621 | Washer PLTD 21/32 X 1 X 21ga |
| 6 | 532120183 | Bearing Nylon Blk 629 Id |
| 7 | 532109413 | Grip Handle Bicycle |
| 8 | 532124526 | Button Plunger Black |
| 11 | 532139865 | Link Lift LH |
| 12 | 532139866 | Link Lift RH |
| 13 | 532124670 | Retainer Spring |
| 15 | 532127218 | Link Front |
| 16 | 873350800 | Nut Jam Hex 1/2-13 Unc |
| 17 | 532130171 | Trunnion Blk Zinc |
| 18 | 873680800 | Nut Crownlock 1/2-13 Unc |
| 19 | 532139868 | Arm Suspension Rear |
| 20 | 532163552 | Spring, Retainer |
| 31 | 532140302 | Bearing Pvt. Lift Spherical |
| 32 | 873540600 | Nut Crownlock 3/8-24 |

NOTE: All component dimensions given in U.S. inches
1 inch = 25.4 mm

REPAIR PARTS

TRACTOR - MODEL NO. LTH130 (954140005H), PRODUCT NO. 954 14 00-05
HYDRO GEAR TRANSAXLE - MODEL NUMBER 319-0500



REPAIR PARTS

TRACTOR - MODEL NO. LTH130 (954140005H), PRODUCT NO. 954 14 00-05

HYDRO GEAR TRANSAXLE - MODEL NUMBER 319-0500

| KEY PART NO. NO. | DESCRIPTION | KEY PART NO. NO. | DESCRIPTION |
|---------------------|------------------------------|---------------------|---------------------------|
| 1 142986 | Housing, Lower | 40 150778 | Locknut, Hex 5/16-24 UNJC |
| 2 142987 | Assembly, Upper Housing | 41 142958 | Brake Rotor/Stator Kit |
| 3 142932 | Seal, Lip | 43 142884 | Washer 7/16 x 7/8 x .060 |
| 4 142928 | Ring, Wire Retaining | 44 142990 | Differential Assembly |
| 5 142933 | Ring, Retaining | 52 142991 | Washer 3/4 x 1.5 x .13 |
| 6 142934 | Bearing, Shaft Ball | 53 142961 | Seal .75 x 1.25 x .250 |
| 7 142935 | Bearing, Cradle | 56 142963 | Shaft, Input |
| 8 150771 | Bearing, Thrust 30 x 52 x 13 | 58 142964 | Bolt 1/4-20 x 1.38 |
| 9 142937 | Swashplate, Variable | 59 142965 | Pin .5 OD x .43 ID x .750 |
| 13 142938 | Block, Cylinder Assembly | 62 142966 | Arm, Control |
| 14 142939 | Arm, Trunnion | 63 142967 | Puck, Dampener |
| 15 142940 | Seal, Lip | 64 142920 | Set Screw |
| 17 142941 | Guide, Slot | 68 142969 | Spring |
| 18 150772 | Shaft, Motor | 69 144610 | Stud 5/16-24 |
| 19 150773 | Bearing, Thrust 42 x 68 x 16 | 92 142977 | Spring, Block |
| 23 142944 | Block, Cylinder Assembly | 93 142978 | Washer, Block Thrust |
| 24 142945 | Seal, Lip 10 x 25 x 7 | 98 142993 | Sleeve Bearing |
| 25 142946 | Actuator, Bypass | 99 142976 | Seal, Wiper |
| 26 150774 | Center Section Assembly Kit | 113 142917 | Cap, Vent Assembly |
| 27 142948 | Seal, Lip 26 x 42 x 8 | 114 142918 | Fitting, O-Ring Assembly |
| 28 142949 | Ring, Retaining | 119 142980 | Spacer |
| 29 142950 | Washer 26 x 35 x 1 | 134 144607 | Nut, Castle 5/16-24 |
| 30 150787 | Nut, Jam | 135 144608 | Pin, Cotter |
| 34 142951 | Oil Filter Element | 139 150775 | Spring, Compression |
| 35 142952 | Arm, Bypass | 140 150776 | Nut, Hex 5/16-24 |
| 36 142953 | Ring, Retaining | | |
| 37 142954 | Arm, Actuating | | |
| 38 142955 | Pin, Actuating | | |
| 39 150777 | Bolt 5/16-24 x 1-3/4 | | |

NOTE: All component dimensions given in U.S. inches
1 inch = 25.4 mm