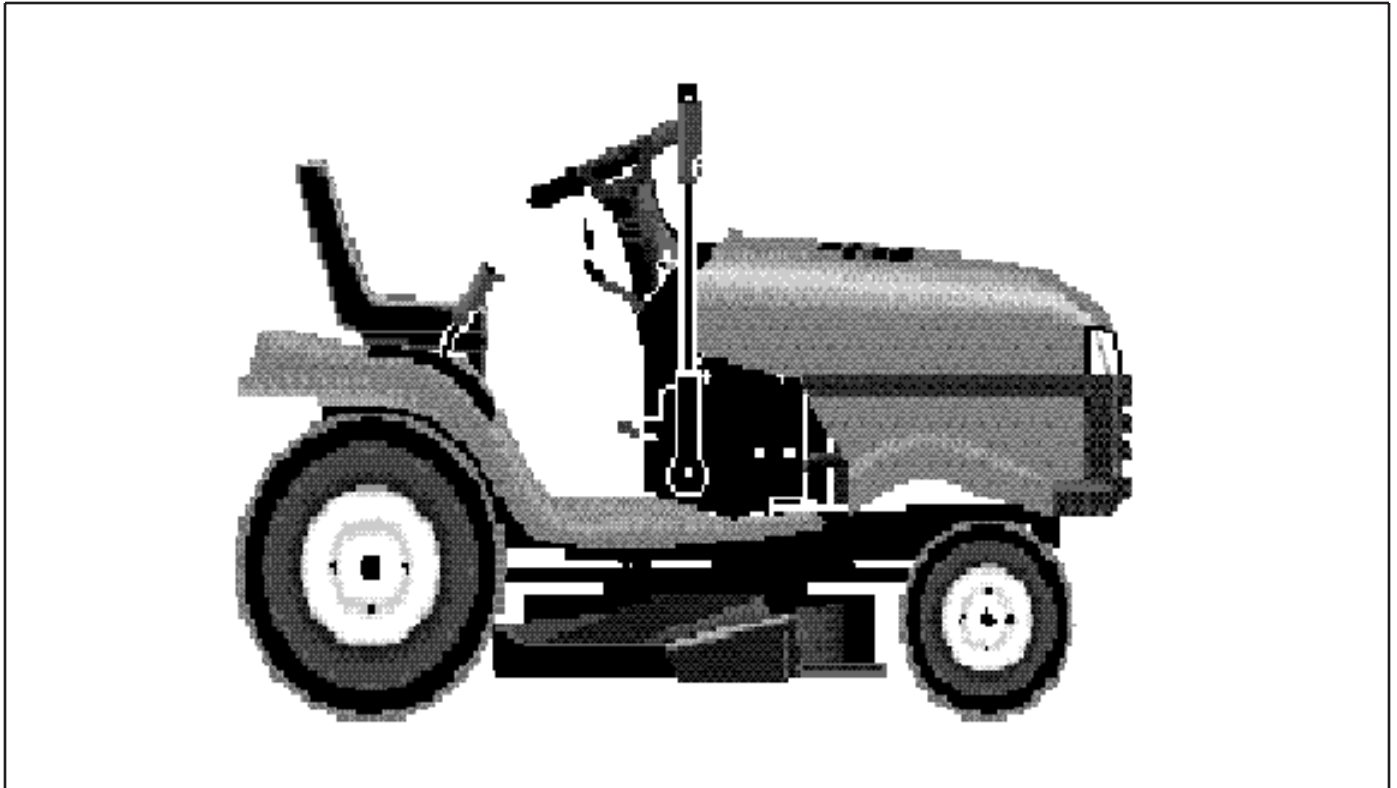


# LTH 145

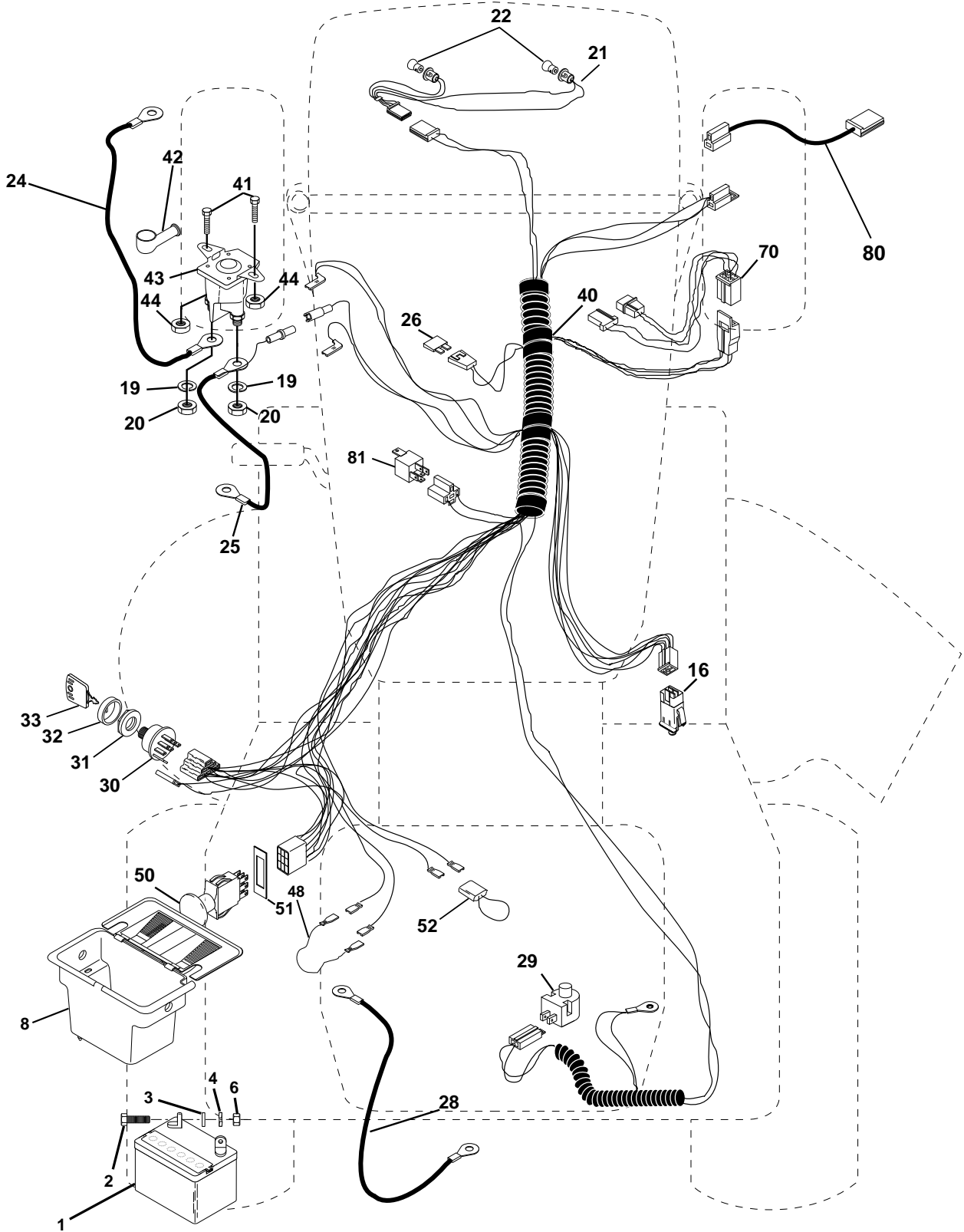


**07.1998**  
**PARTS LISTING**

**954140006D**

# REPAIR PARTS

TRACTOR - MODEL NO. LTH145 (95414006D), PRODUCT NO. 954 14 00-06  
ELECTRICAL



# REPAIR PARTS

TRACTOR - MODEL NO. LTH145 (954140006D), PRODUCT NO. 954 14 00-06

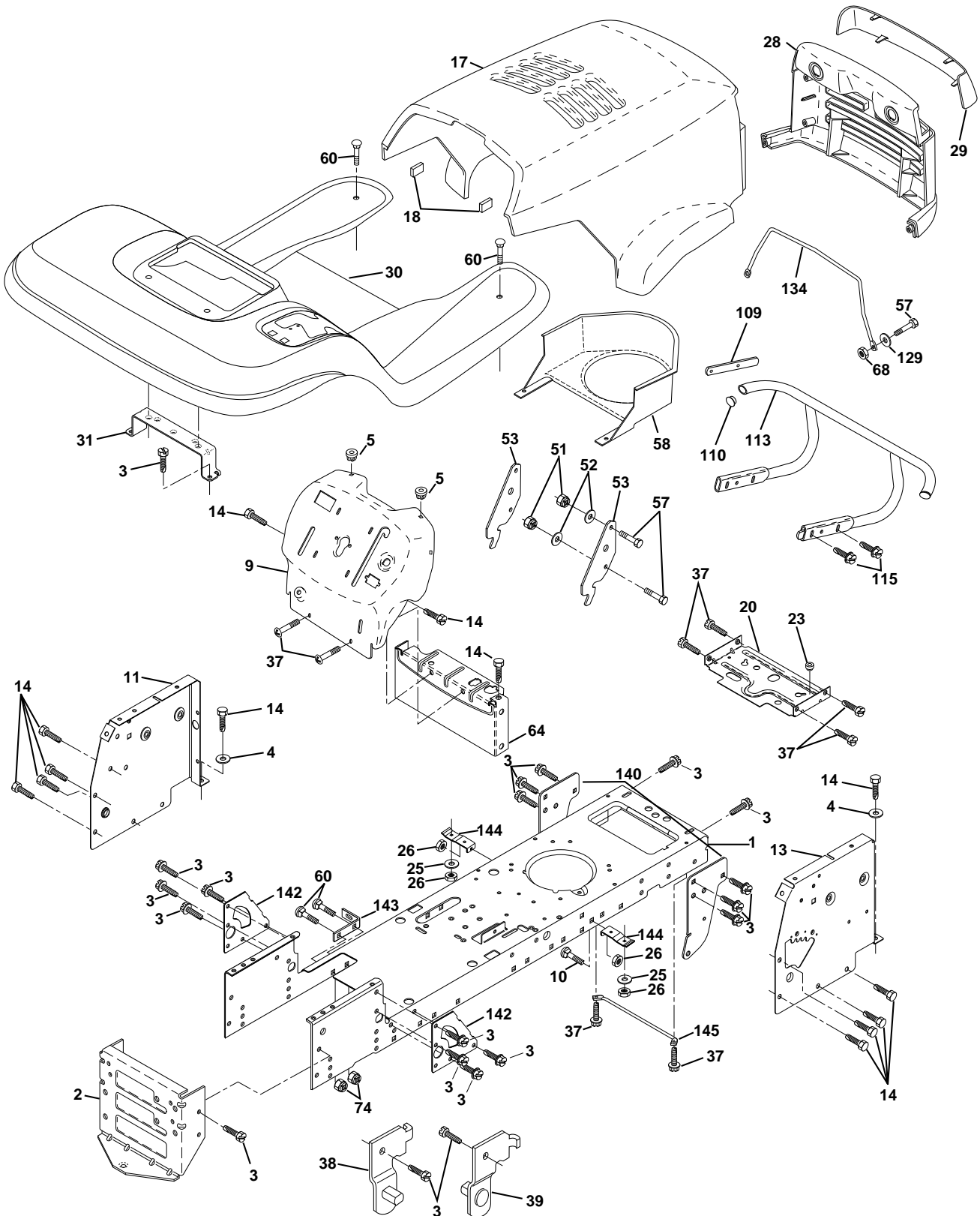
## ELECTRICAL

| KEY NO. | PART NO.  | DESCRIPTION                          |
|---------|-----------|--------------------------------------|
| 1       | 532144925 | Battery 12 Volt 25 AMP               |
| 2       | 874760412 | Bolt Hex Hd 1/4-20 UNC X 3/4         |
| 3       | 819091016 | Washer 9/32 X 5/8 X 16 Ga.           |
| 4       | 810040400 | Washer Lock Hvy Helical 1/4          |
| 6       | 873220400 | Nut Fin Hex 1/4-20 UNC               |
| 8       | 532156417 | Case Battery Mech Hinge              |
| 16      | 532153664 | Switch Interlock Push-In             |
| 19      | 810090400 | Washer Lock 1/4                      |
| 20      | 873350400 | Nut Jam Hex 1/4-20 UNC               |
| 21      | 532136850 | Harness Asm Light W/4152j            |
| 22      | 532004152 | Bulb Light #1156                     |
| 24      | 532124780 | Cable Battery 6 Ga 11" red           |
| 25      | 532146147 | Cable Battery 6 Ga 44" red w/16 wire |
| 26      | 532108824 | Fuse 30 AMP Auto Green               |
| 28      | 532124773 | Cable Ground 6 Ga 12" black          |
| 29      | 532160784 | Switch Plunger Normal Op Olive       |
| 30      | 532140301 | Switch Ign 4 pos w/lights            |
| 31      | 532124211 | Nut Ignition                         |
| 32      | 532141226 | Cover Sw Ignition                    |
| 33      | 532122147 | Key Ign Modelled Generic             |
| 40      | 532160720 | Harness Ign.                         |
| 41      | 871110408 | Bolt Blk Fin Hex 1/4 - 20 x 1/2      |
| 42      | 532131563 | Cover Terminal Red                   |
| 43      | 532145673 | Solenoid                             |
| 44      | 873640400 | Nut Keps Hex 1/4-20 UNC              |
| 48      | 532140844 | Adapter Ammeter Rectangular          |
| 50      | 532154959 | Switch, PTO 3PDT Black Delta 96      |
| 51      | 532140405 | Ring Retainer PTO                    |
| 52      | 532141940 | Protection Wire Loop                 |
| 70      | 532140422 | Harness, Eng. B&S 14 OHV Dual        |
| 80      | 532146685 | Harness, Clutch EVX                  |
| 81      | 532109748 | Relay Asm                            |

**NOTE:** All component dimensions given in U.S. inches.  
1 inch = 25.4 mm.

# REPAIR PARTS

TRACTOR - MODEL NO. LTH145 (95414006D), PRODUCT NO. 954 14 00-06  
CHASSIS AND ENCLOSURES



# REPAIR PARTS

TRACTOR - MODEL NO. LTH145 (954140006D), PRODUCT NO. 954 14 00-06

## CHASSIS AND ENCLOSURES

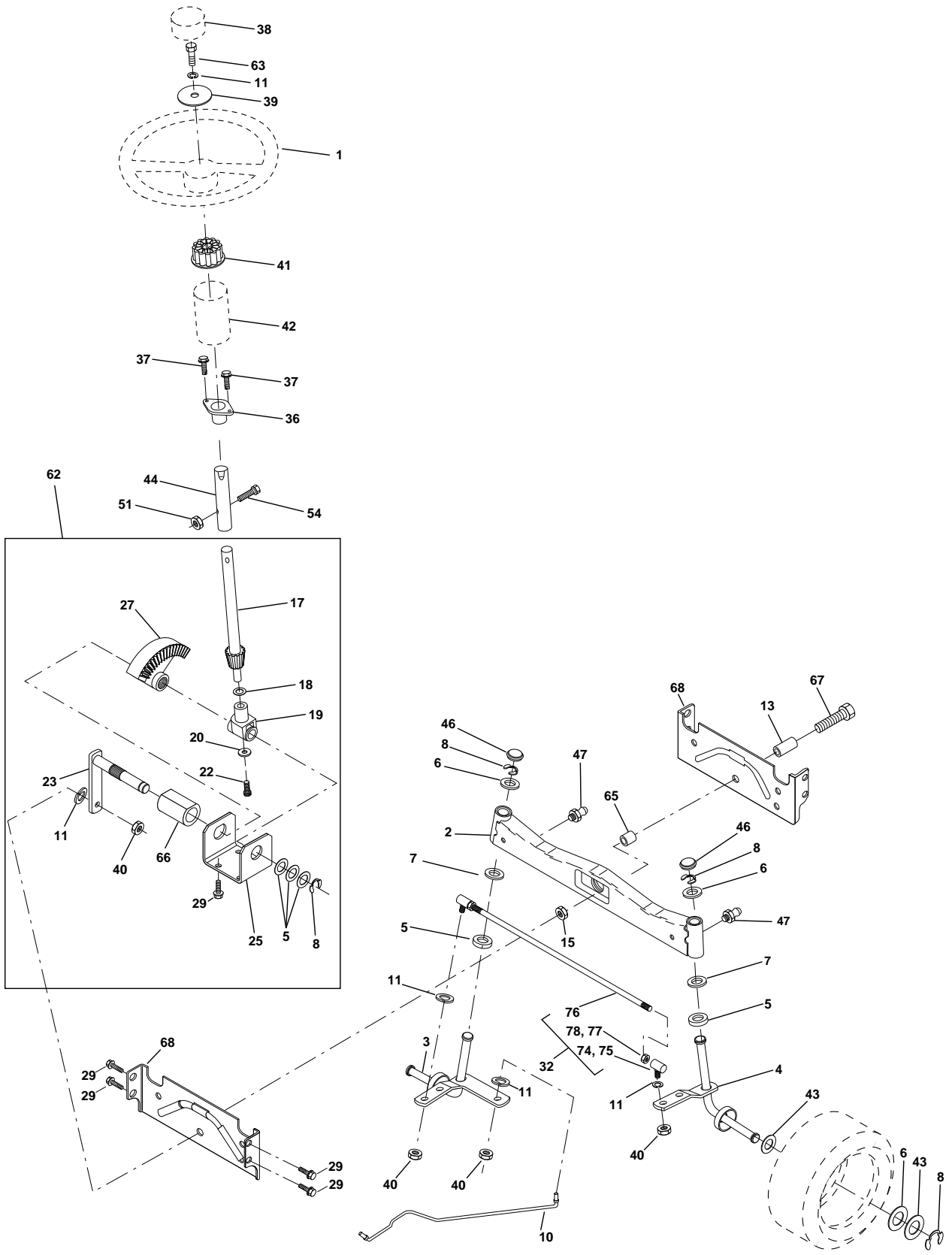
| KEY NO. | PART NO.  | DESCRIPTION                           |
|---------|-----------|---------------------------------------|
| 1       | 532160392 | Chassis Weldment                      |
| 2       | 532140356 | Drawbar, Stretch                      |
| 3       | 817490612 | Screw Thdrol 3/8-16x3/4 Ty-tt         |
| 4       | 819131216 | Washer 13/32 x 3/4 x 16 Ga.           |
| 5       | 532155272 | Bumper Hood/Dash                      |
| 9       | 532157409 | Dash P/L M, Slkscr Elec N/A N/Hm      |
| 10      | 872140608 | Bolt Carriage 3/8-16 x 1              |
| 11      | 532155927 | Panel Dash Lh                         |
| 13      | 532157262 | Panel Dash Rh                         |
| 14      | 817490608 | Screw Thdrol 3/8-16x1/2 Ty-tt         |
| 17      | 532165378 | Hood LT/PL Husqvarna                  |
| 18      | 532126938 | Bumper Hood                           |
| 20      | 532156437 | Plate Mtg Battery Fuel Tank Fr        |
| 23      | 532124028 | Bushing                               |
| 25      | 819131312 | Washer 13/32 X 13/16 X 12 Ga          |
| 26      | 873800600 | Nut Lock Hex W/Ins 3/8-16 Unc         |
| 28      | 532165379 | Grille LT/PL Husqvarna                |
| 29      | 532165380 | Lens LT/PL Husqvarna                  |
| 30      | 532156489 | Fender Footrest STLT Pnt              |
| 31      | 532139976 | Bracket Support Fender                |
| 37      | 817490508 | Screw Thdrol 6/16-18 x 1/2 TYT        |
| 38      | 532139886 | Bracket, Asm. Pivot, L.H., Mower Rear |
| 39      | 532139887 | Bracket, Asm. Pivot, R.H., Mower Rear |
| 51      | 873800400 | Nut Lock Hex W/Ins 1/4-20             |
| 52      | 819091416 | Washer 9/32 x 7/8 x 16 Ga.            |
| 53      | 532150067 | Bracket Pnt. Pick off LT/PL Husqvarna |
| 57      | 874780412 | Bolt Hex 1/4-20 x 3/4                 |
| 58      | 532150127 | Air Duct Engine P/L                   |
| 60      | 872140606 | Bolt Rdhd Sqnk 3/8-16unc x 3/4        |
| 64      | 532154798 | Dash Lower STLT                       |
| 68      | 873510400 | Nut Keps Hex 1/4-20 UNC               |
| 74      | 873680600 | Nut Crownlock 3/8-16 UNC              |
| 109     | 532141461 | Bracket Extension, Bumper             |
| 110     | 532143679 | Plug, Plastic                         |
| 113     | 532150300 | Bumper Asm                            |
| 115     | 817490620 | Screw Thdrol 3/8-16 x 1-1/4           |
| 129     | 819091016 | Washer 9/32 x 5/8 x 16 Ga.            |
| 134     | 532160219 | Rod Support Hood Husq.                |
| 140     | 532158418 | Bracket Front Suspension              |
| 142     | 532156095 | Plate Reinforcement STLT              |
| 143     | 532154966 | Bracket Swaybar Chassis               |
| 144     | 532154207 | Bracket Pnt Footrest STLT             |
| 145     | 532156524 | Rod Pivot Chassis/Hood                |
| --      | 532005479 | Plug Button                           |

**NOTE:** All component dimensions given in U.S. inches  
1 inch = 25.4 mm

# REPAIR PARTS

TRACTOR - MODEL NO. LTH145 (954140006D), PRODUCT NO. 954 14 00-06

## STEERING ASSEMBLY



# REPAIR PARTS

TRACTOR - MODEL NO. LTH145 (954140006D), PRODUCT NO. 954 14 00-06

## STEERING ASSEMBLY

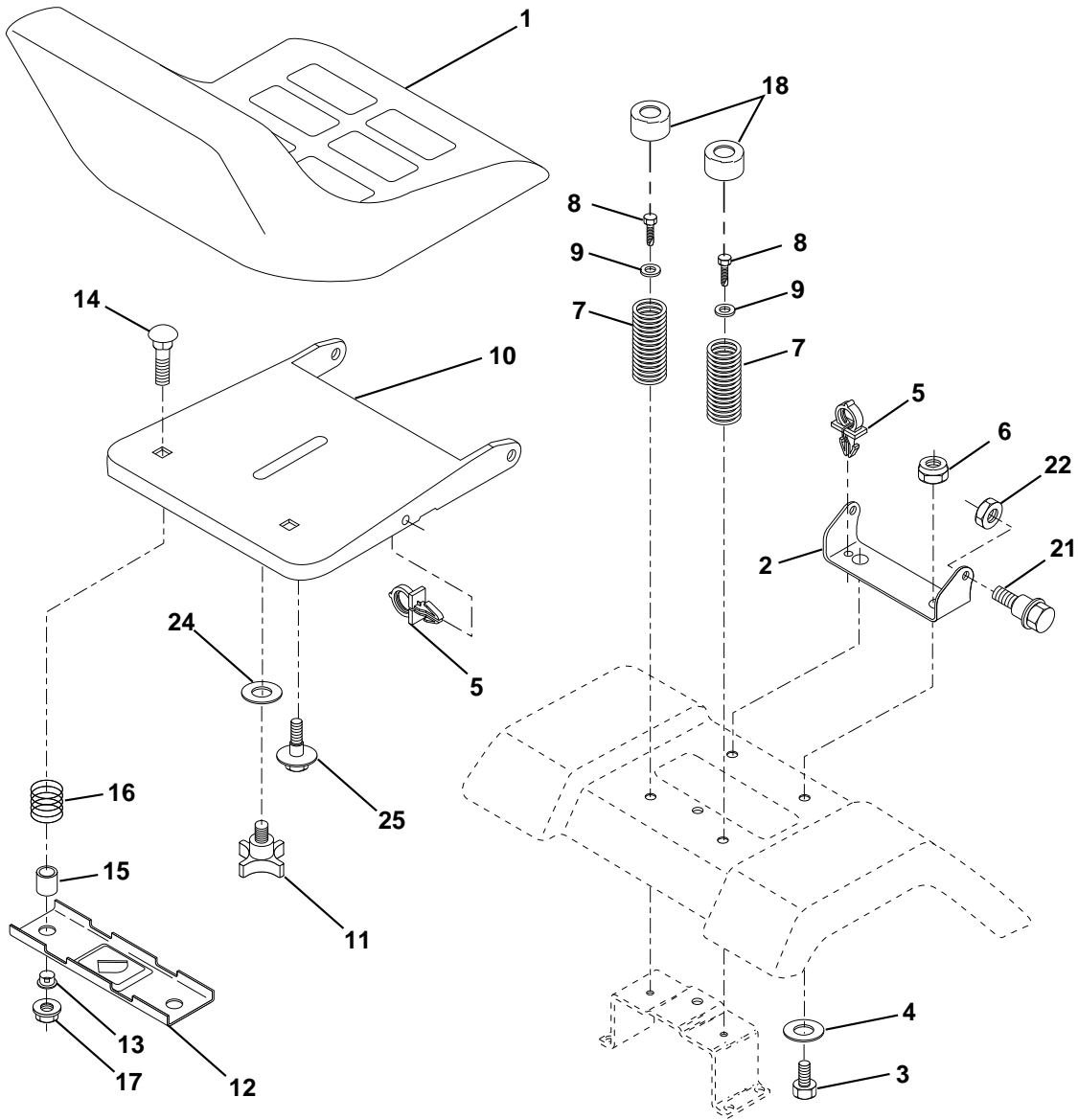
| KEY NO. | PART NO.  | DESCRIPTION                      |
|---------|-----------|----------------------------------|
| 1       | 532124415 | Wheel Steering                   |
| 2       | 532137094 | Axle Front Casting Machined      |
| 3       | 532157479 | Spindle Asm LH                   |
| 4       | 532157478 | Spindle Asm RH                   |
| 5       | 532124931 | Bearing Race Thrust Harden       |
| 6       | 532121748 | Washer 25/32 X 1-5/8 X 16 Ga     |
| 7       | 819272016 | Washer 27/32 X 1-1/4 X 16 Ga     |
| 8       | 812000029 | Ring Klip #t5304-75              |
| 10      | 532154432 | Link Drag Extended Cast          |
| 11      | 810040600 | Washer Lock Hvy Hlcl Spr 3/8     |
| 13      | 532154779 | Bearing Axle STLT/GT             |
| 15      | 873901000 | Nut Lock Flange 5/8-11 Unc       |
| 17      | 532156546 | Shaft Asm Strg                   |
| 18      | 532057079 | Washer Thrust 515x 750x 033      |
| 19      | 532124035 | Support Shaft                    |
| 20      | 532126684 | Washer Shim 1/4 X 5/8 X 062      |
| 22      | 871200410 | Screw Hex Socket 1/4-20 x 5/8    |
| 23      | 532127501 | Shaft Asm Pittman                |
| 25      | 532154406 | Bracket Steering                 |
| 27      | 532136874 | Gear Sector                      |
| 29      | 817490612 | Screw Thdrol 3/8-16x3/4 Ty-tt    |
| 32      | 532137347 | Rod Tie Ball J Adj VGT           |
| 36      | 532155099 | Bushing Strg                     |
| 37      | 532152927 | Screw                            |
| 38      | 532124416 | Insert Cap Strg Wh Au            |
| 39      | 819133808 | Washer 13/32 X 2-3/8 X 8 Ga      |
| 40      | 532124701 | Lock nut                         |
| 41      | 532100711 | Adaptor Wheel Strg               |
| 42      | 532155092 | Boot Steering Shaft              |
| 43      | 532121749 | Washer 25/32 X 1 1/4 X 16 Ga     |
| 44      | 532153720 | Extension Steering Shaft LR/LT   |
| 46      | 532121232 | Cap Spindle Fr Top Blk           |
| 47      | 532124836 | Fitting Grease                   |
| 51      | 873800500 | Nut Lock Hex w/Ins 5/16-18       |
| 54      | 874780520 | Bolt Fin Hex 5/16-18 Unc x 1-1/4 |
| 62      | 532156594 | Kit, Steering Assembly Svc       |
| 63      | 874780616 | Bolt Fin Hex 3/8-16unc x 1 Gr. 5 |
| 65      | 532154780 | Spacer Axle                      |
| 66      | 532154404 | Bearing Arm Pittman              |
| 67      | 874781044 | Bolt, Fin Hex 5/8-11 UNC x 2-3/4 |
| 68      | 532154429 | Axle, Brace                      |
| 74      | 532109850 | Joint Asm Ball Rh                |
| 75      | 532109851 | Joint Asm Ball Lh                |
| 76      | 532137156 | Rod Tie Ball J Adj               |
| 77      | 873700600 | Nut Hex Jam 3/8-24 Unf Lh        |
| 78      | 873360600 | Nut Hex Jam 3/8-24 Unf           |

**NOTE:** All component dimensions given in U.S. inches.  
1 inch = 25.4 mm.

# REPAIR PARTS

TRACTOR - MODEL NO. LTH145 (954140006D), PRODUCT NO. 954 14 00-06

## SEAT ASSEMBLY



### KEY PART NO. NO.

### DESCRIPTION

|    |           |                                |
|----|-----------|--------------------------------|
| 1  | 532140838 | Seat                           |
| 2  | 532140551 | Bracket Pivot Seat 8 720       |
| 3  | 874760616 | Bolt Fin Hex 3/8-16unc X 1     |
| 4  | 819131610 | Washer 13/32 X 1 X 10 Ga       |
| 5  | 532145006 | Clip Push-In                   |
| 6  | 873800600 | Nut Hex w/Ins. 3/8-16 Unc      |
| 7  | 532124181 | Spring Seat Cprsn 2 250 Blk Zi |
| 8  | 817490616 | Screw Thdrol 3/8-16 X 1 Ty-tt  |
| 9  | 819131614 | Washer 13/32 X 1 X 14 Ga.      |
| 10 | 532155925 | Pan, Seat                      |
| 11 | 532120068 | Knob, Seat                     |
| 12 | 532121246 | Bracket Mounting Switch        |

### KEY PART NO. NO.

### DESCRIPTION

|    |           |                                 |
|----|-----------|---------------------------------|
| 13 | 532121248 | Bushing Snap Blk Nyl 50 Id      |
| 14 | 872050412 | Bolt Rdhd Sqnk 1/4-20x1-1/2     |
| 15 | 532134300 | Spacer Split 28x 96 Yel Zinc    |
| 16 | 532121250 | Spring Cprsn 1 27 Blk Pnt       |
| 17 | 532123976 | Nut Lock 1/4 Lge Flg Gr 5 Zinc  |
| 18 | 532124238 | Cap Spring, Seat Blk 1.75 x 1.0 |
| 21 | 532153236 | Bolt Shoulder 5/16-18 Unc       |
| 22 | 873800500 | Nut Hex Lock W/Ins 5/16-18      |
| 24 | 819171912 | Washer 17/32 X 1-3/16 X 12 Ga.  |
| 25 | 532127018 | Bolt Shoulder 5/16-18 X 62      |

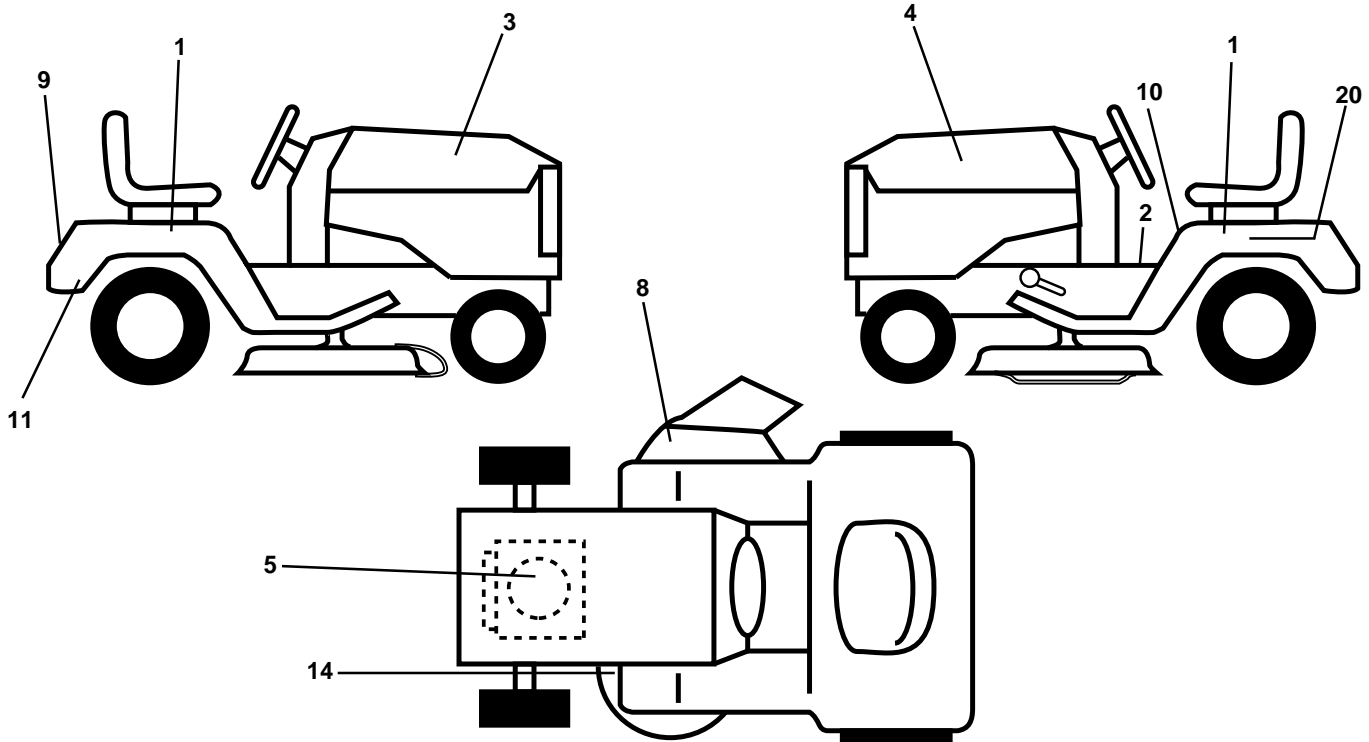
**NOTE:** All component dimensions given in U.S. inches.  
1 inch = 25.4 mm



# REPAIR PARTS

TRACTOR - MODEL NO. LTH145 (954140006D), PRODUCT NO. 954 14 00-06

## DECALS



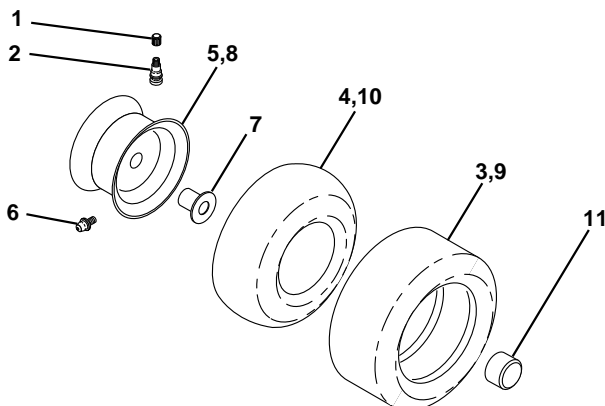
| KEY NO. | PART NO.  | DESCRIPTION                 |
|---------|-----------|-----------------------------|
| 1       | 532157007 | Decal Fender Auto Husq      |
| 2       | 532157032 | Decal Oper Step Thru Eng/Fr |
| 3       | 532157196 | Decal Hood RH               |
| 4       | 532157197 | Decal Hood LH               |
| 5       | 532165352 | Decal HP Engine             |
| 8       | 532137259 | Decal Warning Mult-Language |
| 9       | 532150617 | Decal Fender Husq           |
| 10      | 532157140 | Decal Fender Danger Eng/Fr  |
| 11      | 532142341 | Decal Drawbar Contrl Mvt    |
| 14      | 532160396 | Decal V-Belt Schematic      |
| 20      | 532145005 | Decal Bat Dan/Psn           |

| KEY NO. | PART NO.  | DESCRIPTION                    |
|---------|-----------|--------------------------------|
| --      | 532154515 | Pad Footrest LH STLT           |
| --      | 532154516 | Pad Footrest RH STLT           |
| --      | 532138311 | Decal Handle Lft Height Adjust |
| --      | 532165775 | Manual Owner's (English)       |
| --      | 532165776 | Manual Owner's (French)        |

Available accessories not included with tractor:

|    |       |                 |
|----|-------|-----------------|
| -- | MP42  | Mulcher Plate   |
| -- | LSB42 | 42" Snow Blower |
| -- | LC05  | Wheel Weights   |
| -- | CH12  | Tire Chains     |
| -- | LBD48 | 48" Snow Blade  |

## WHEELS & TIRES

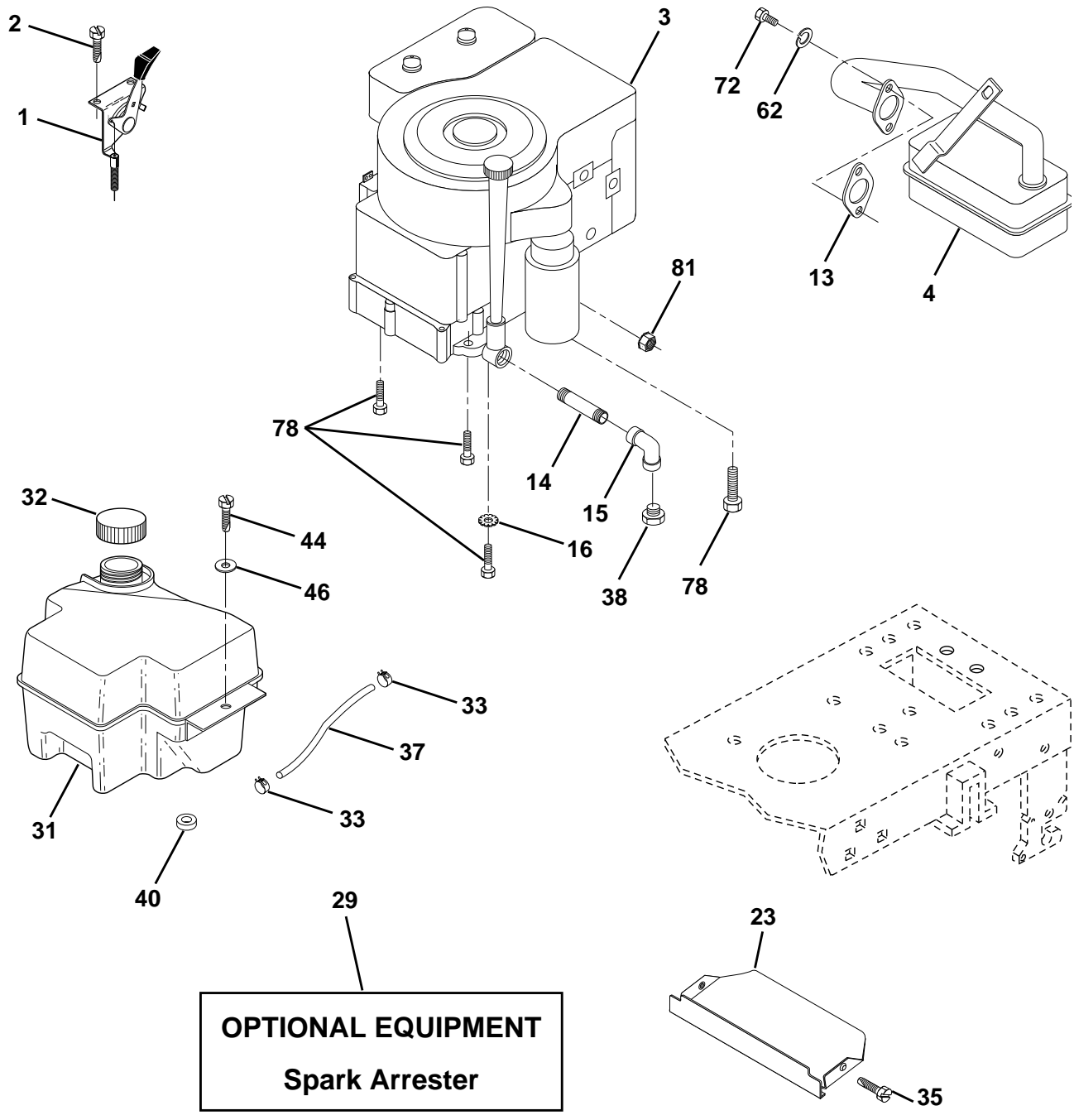


| KEY NO. | PART NO.  | DESCRIPTION                       |
|---------|-----------|-----------------------------------|
| 1       | 532059192 | Cap Valve Tire                    |
| 2       | 532065139 | Stem Valve                        |
| 3       | 532106222 | Tire F Ts 15 X 6 0 - 6 Service    |
| 4       | 532059904 | Tube Front (Service Item Only)    |
| 5       | 532138336 | Rim Asm 6"front Silver Service    |
| 6       | 532124957 | Fitting Grease (Front Wheel Only) |
| 7       | 532124959 | Bearing Flange (Front Wheel Only) |
| 8       | 532138337 | Rim Asm 8"rear Silver Service     |
| 9       | 532124635 | Tire R Ts 18x8 5-8 C Service      |
| 10      | 532124926 | Tube Rear (Service Item Only)     |
| 11      | 532104757 | Cap Axle Blk 1 50 X 1 00          |
| --      | 532144334 | Sealant, Tire ( 10 oz. Tube)      |

**NOTE:** All component dimensions given in U.S. inches  
1 inch = 25.4 mm

# REPAIR PARTS

TRACTOR - MODEL NO. LTH145 (954140006D), PRODUCT NO. 954 14 00-06  
ENGINE



# REPAIR PARTS

TRACTOR - MODEL NO. LTH145 (954140006D), PRODUCT NO. 954 14 00-06

## ENGINE

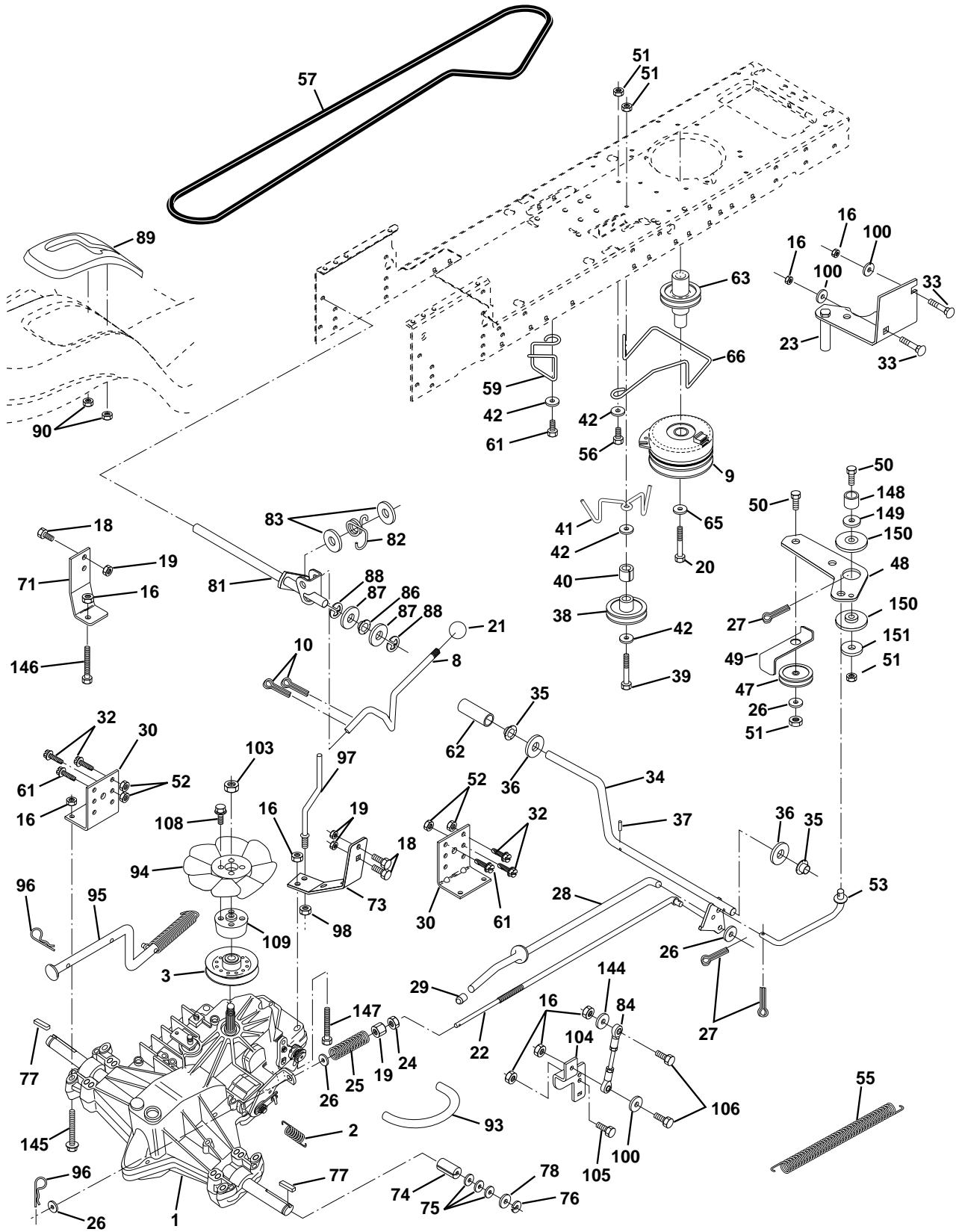
| KEY NO. | PART NO.  | DESCRIPTION                                     |
|---------|-----------|---|
| 1       | 532140310 | Control Th/ch 23 5 LH Flag                      |
| 2       | 817720410 | Screw Hex Thd Cut 1/4-20x5/8 T                  |
| 3       | -----     | Engine B&S Model No. 287777                     |
| 4       | 532137352 | Muffler LT B&S 14.5                             |
| 13      | 532165291 | Gasket Eng 1 313 Id Tin Plated                  |
| 14      | 813280324 | Nipple Pipe 3/8 Npt X 3"                        |
| 15      | 813200300 | Elbow Std 90 Degree 3/8-18 Npt                  |
| 16      | 811050600 | Washer Lock Ext Tooth 3/8                       |
| 23      | 532159880 | Shield Brn/Dbr Guard                            |
| 29      | 532137180 | Kit Spark Arrestor (Flat Scrn)                  |
| 31      | 532161911 | Tank Fuel Front 2 00                            |
| 32      | 532140527 | Cap Asm Fuel W/sym Vented                       |
| 33      | 532123487 | Clamp Hose Black                                |
| 35      | 817490512 | Screw   |
| 37      | 532137040 | Line Fuel 20"                                   |
| 38      | -----     | Plug Oil Drain (Order From Engine Manufacturer) |
| 40      | 532124028 | Bushing Snap Nyl Blk Fuel Line                  |
| 44      | 817490412 | Screw Hexwsh Thdrol 1/4-20x3/4                  |
| 46      | 819091416 | Washer 9/32 X 7/8 X 16 Ga                       |
| 62      | 810040500 | Washer Lock Hvy Hlcl Spr 5/16                   |
| 72      | 871070512 | Screw Hexhd Cap 5/16-18x 3/4                    |
| 78      | 817490620 | Screw Thdrol 3/8-16x1-1/4 TYTT                  |
| 81      | 532128861 | Nut Flange 1/4-20 Starter Nut                   |

**NOTE:** All component dimensions given in U.S. inches  
1 inch = 25.4 mm

# REPAIR PARTS

TRACTOR - MODEL NO. LTH145 (95140006D) PRODUCT NO. 954-14 00-06

DRIVE



# REPAIR PARTS

TRACTOR - MODEL NO. LTH145 (9514006D) PRODUCT NO. 954-14 00-06

## DRIVE

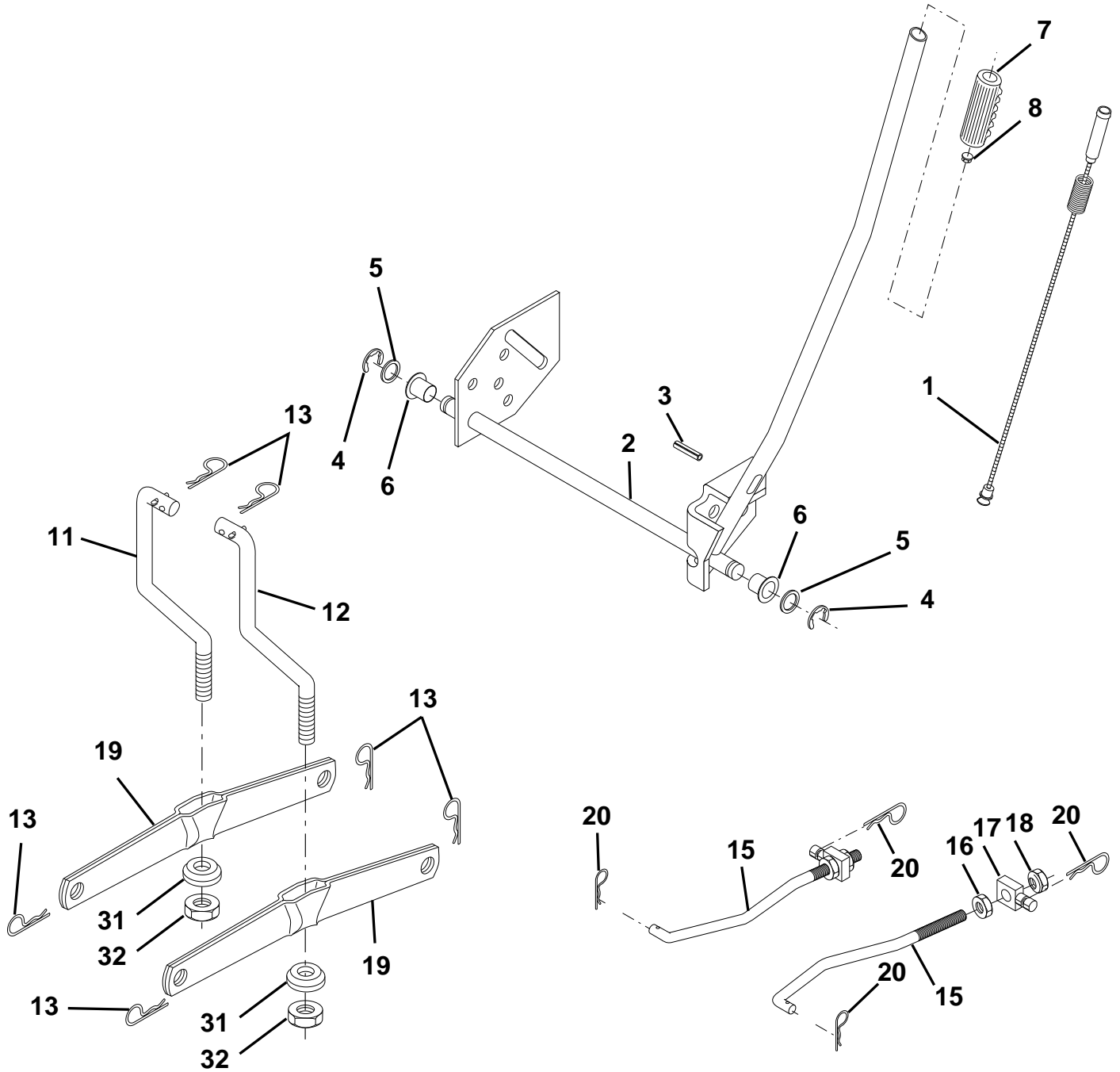
| KEY PART NO. NO. | DESCRIPTION | KEY PART NO. NO.   | DESCRIPTION |           |                                  |
|------------------|-------------|--|-------------|-----------|----------------------------------|
| 1                | 532140607   | Transaxle (See Breakdown) Hydro Gear, Model No. 319-0500 | 62          | 532124872 | Cover, Pedal                     |
| 2                | 532142431   | Spring, Return, Brake                                    | 63          | 532145868 | Pulley, Clutch Electric EVX      |
| 3                | 532144698   | Pulley, Transaxle  | 65          | 810040700 | Washer                           |
| 8                | 532154792   | Rod Shift Fender STLT                                    | 66          | 532154778 | Keeper Belt Engine Hydro         |
| 9                | 532145028   | Clutch, Elect. EVX LT Mag 5217-2                         | 71          | 532141417 | Strap Torque Lh Hydro            |
| 10               | 876020416   | Pin Cotter 1/8 x 1 CAD                                   | 73          | 532141418 | Strap Torque Rh Hydro            |
| 16               | 873800500   | Nut Lock Hex W/Ins. 5/16-18 Unc P                        | 74          | 532121199 | Spacer, Split                    |
| 18               | 874780616   | Bolt Fin Hex 3/8-16 Unc x 1 Gr. 5                        | 75          | 532121749 | Washer 25/32 x 1-1/4 x 16 Gauge  |
| 19               | 873800600   | Nut Lock Hex W/Wsh 3/8-16 Unc                            | 76          | 812000001 | E-Ring                           |
| 20               | 532150280   | Bolt Hex 7/16-20 x 4-1/4 Ga. 1.38                        | 77          | 532123583 | Key, Square                      |
| 21               | 532121274   | Knob, Duckhead 1/2-13                                    | 78          | 532121748 | Washer 25/32 x 1-5/8 x 16 Gauge  |
| 22               | 532145627   | Rod, Brake Hydro   | 81          | 532156048 | Shaft Asm. Cross Hydro           |
| 23               | 532154978   | Bracket, Asm Clutch Mtg EVX                              | 82          | 532123782 | Spring Torsion T/A               |
| 24               | 873350600   | Nut  | 83          | 819171216 | Washer 17/32 x 3/4 x 16 Ga.      |
| 25               | 532106888   | Spring, Brake Rod  | 84          | 532141423 | Rod, Tie Hydro                   |
| 26               | 819131316   | Washer   | 86          | 532157480 | Bushing                          |
| 27               | 876020412   | Pin Cotter 1/8 x 3/4 CAD.                                | 87          | 819212016 | Washer 21/32 x 1-1/4 x 16 Ga.    |
| 28               | 532145204   | Rod, Parking Brake                                       | 88          | 812000008 | Ring Klip #5304-62               |
| 29               | 532071673   | Cap, Parking Brake                                       | 89          | 532158388 | Console, Shift                   |
| 30               | 532130807   | Bracket, Transaxle                                       | 90          | 532124346 | Nut, Self-Thd Wsh-hd 1/4 Zinc    |
| 32               | 874760512   | Bolt Hex Hd 5/16-18 Unc x 3/4                            | 93          | 532142564 | Line Fuel Hydro 4"               |
| 33               | 872140506   | Bolt Rdhd Sqnk 5/16-18 UNC x 3/4                         | 94          | 532140462 | Fan, Hydro 7"                    |
| 34               | 532155071   | Shaft, Foot Pedal  | 95          | 532144643 | Control Asm Bypass Hydro         |
| 35               | 532120183   | Bearing, Nylon   | 96          | 532124788 | Retainer Spring 1" Zinc/Cad      |
| 36               | 819211616   | Washer   | 97          | 532144201 | Keeper Belt Rh Hydro             |
| 37               | 532124963   | Pin, Roll  | 98          | 873510600 | Nut Keps Hex 3/8-16 Unc          |
| 38               | 532123674   | Pulley, Idler, Flat                                      | 100         | 819111216 | Washer 11/32 x 3/4 x 16 Ga.      |
| 39               | 874760644   | Bolt   | 103         | 873940800 | Nut Nylon Insert 1/2-20 Unf.     |
| 40               | 532124965   | Spacer, Split  | 104         | 532141421 | Arm, Control Hydro               |
| 41               | 532154777   | Keeper, Belt Idler                                       | 105         | 871070516 | Screw Cap Hex 5/16 x 18 x 1      |
| 42               | 819131312   | Washer 13/32 x 13/16 x 12 Gauge                          | 106         | 874780520 | Bolt Fin Hex 5/16-18 Unc x 1-1/4 |
| 47               | 532127783   | Pulley, Idler, V-Groove                                  | 108         | 817541026 | Screw Hex Wh Hd #10-24 x         |
| 48               | 532154407   | Bellcrank Clutch Grnd Drv STL                            | 109         | 532145098 | Adaptor Fan Hydro LT Hyd Alum    |
| 49               | 532123205   | Retainer, Belt   | 144         | 819111016 | Washer 11/32 x 5/8 x 16 Ga       |
| 50               | 874760624   | Bolt   | 145         | 874490540 | Bolt Hex Flghd 5/16-189 x Gr. 5  |
| 51               | 873680600   | Nut  | 146         | 874490536 | Bolt Hex Flghd 5/16-18 x 2-1/4   |
| 52               | 873680500   | Nut Crownlock 5/16-18                                    | 147         | 874490524 | Bolt Hex Hghd 5/16-18 x 1/1/2    |
| 53               | 532105710   | Link, Clutch   | 148         | 532159103 | Spacer                           |
| 55               | 532105709   | Spring, Return, Clutch                                   | 149         | 532122052 | Spacer Retainer Pm Mower         |
| 56               | 874760620   | Bolt Fin Hex 3/8-16 UNC x 1-1/4                          | 150         | 532150935 | Bushing Nylon Collered           |
| 57               | 532141416   | V-Belt, Ground Drive                                     | 151         | 819133210 | Washer 11/32 x 2 x 10 Ga.        |
| 59               | 532140312   | Keeper, Center Span                                      |             |           |                                  |
| 61               | 817490612   | Screw Thdrol. 3/8-16 x 3/4 Ty. TT                        |             |           |                                  |

**NOTE:** All component dimensions give in U.S. inches.  
1 inch = 25.4 mm.

# REPAIR PARTS

TRACTOR - MODEL NO. LTH145 (954140006D), PRODUCT NO. 954 14 00-06

## MOWER LIFT



# REPAIR PARTS

TRACTOR - MODEL NO. LTH145 (954140006D), PRODUCT NO. 954 14 00-06

## MOWER LIFT

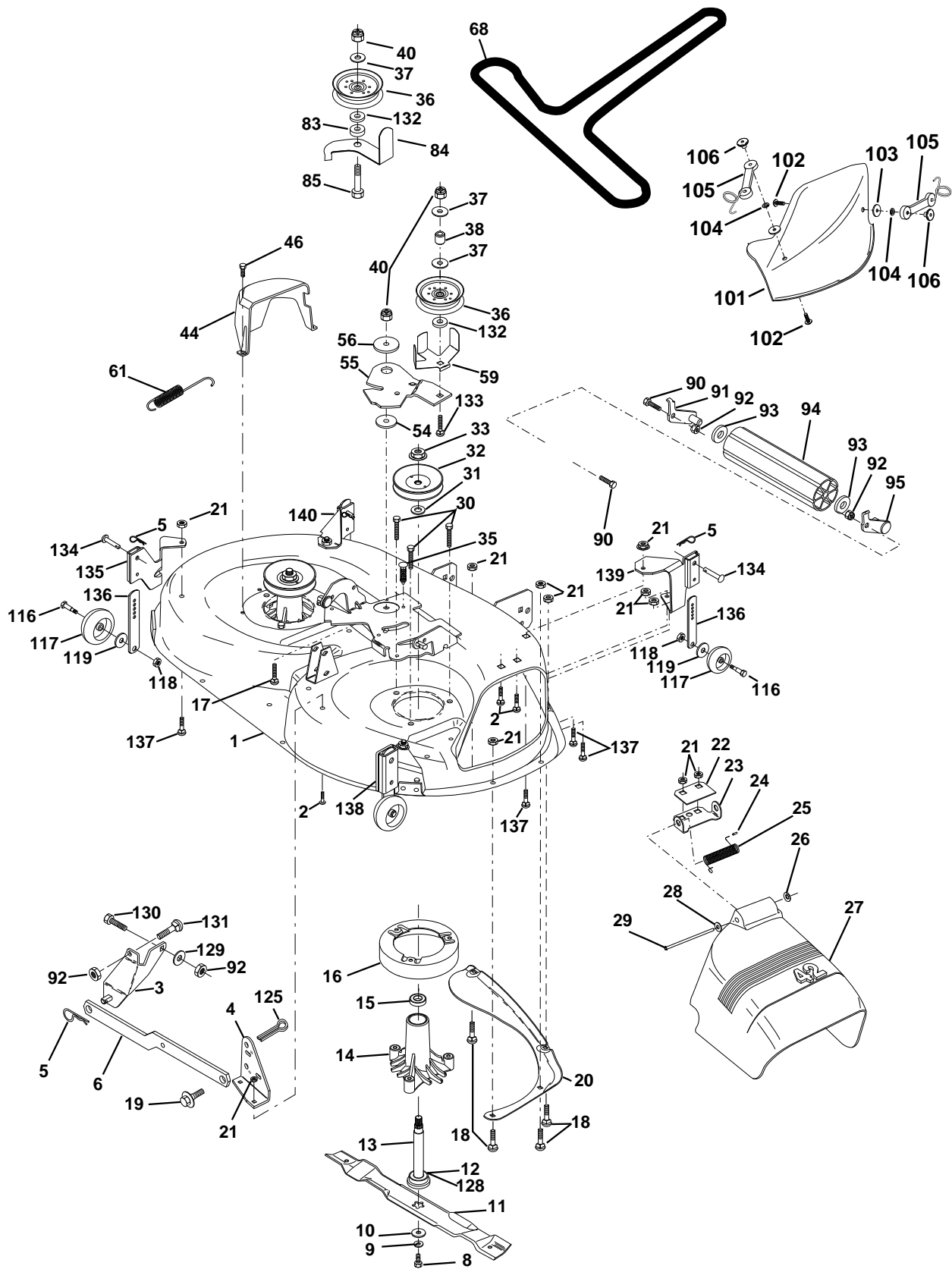
| KEY NO. | PART NO.  | DESCRIPTION                     |
|---------|-----------|---------------------------------|
| 1       | 532159460 | Wire Asm Inner/Spring W/plunger |
| 2       | 532159471 | Shaft Asm Lift                  |
| 3       | 532105767 | Pin Groove                      |
| 4       | 812000002 | E Ring #5133-62                 |
| 5       | 819211621 | Washer PLTD 21/32 X 1 X 21ga    |
| 6       | 532120183 | Bearing Nylon Blk 629 Id        |
| 7       | 532109413 | Grip Handle Bicycle             |
| 8       | 532124526 | Button Plunger Black            |
| 11      | 532139865 | Link Lift LH                    |
| 12      | 532139866 | Link Lift RH                    |
| 13      | 532124670 | Retainer Spring                 |
| 15      | 532127218 | Link Front                      |
| 16      | 873350800 | Nut Jam Hex 1/2-13 Unc          |
| 17      | 532130171 | Trunnion Blk Zinc               |
| 18      | 873680800 | Nut Crownlock 1/2-13unc         |
| 19      | 532139868 | Arm Suspension Rear             |
| 20      | 532163552 | Spring, Retainer                |
| 31      | 532140302 | Bearing Pvt. Lift Spherical     |
| 32      | 873540600 | Nut Crownlock 3/8-24            |

**NOTE:** All component dimensions given in U.S. inches  
1 inch = 25.4 mm

# REPAIR PARTS

TRACTOR - MODEL NO. LTH145 (95414006D) PRODUCT NO. 954 14 00-06

## MOWER DECK





# REPAIR PARTS

TRACTOR - MODEL NO. LTH145 (954140006D) PRODUCT NO. 954 14 00-06

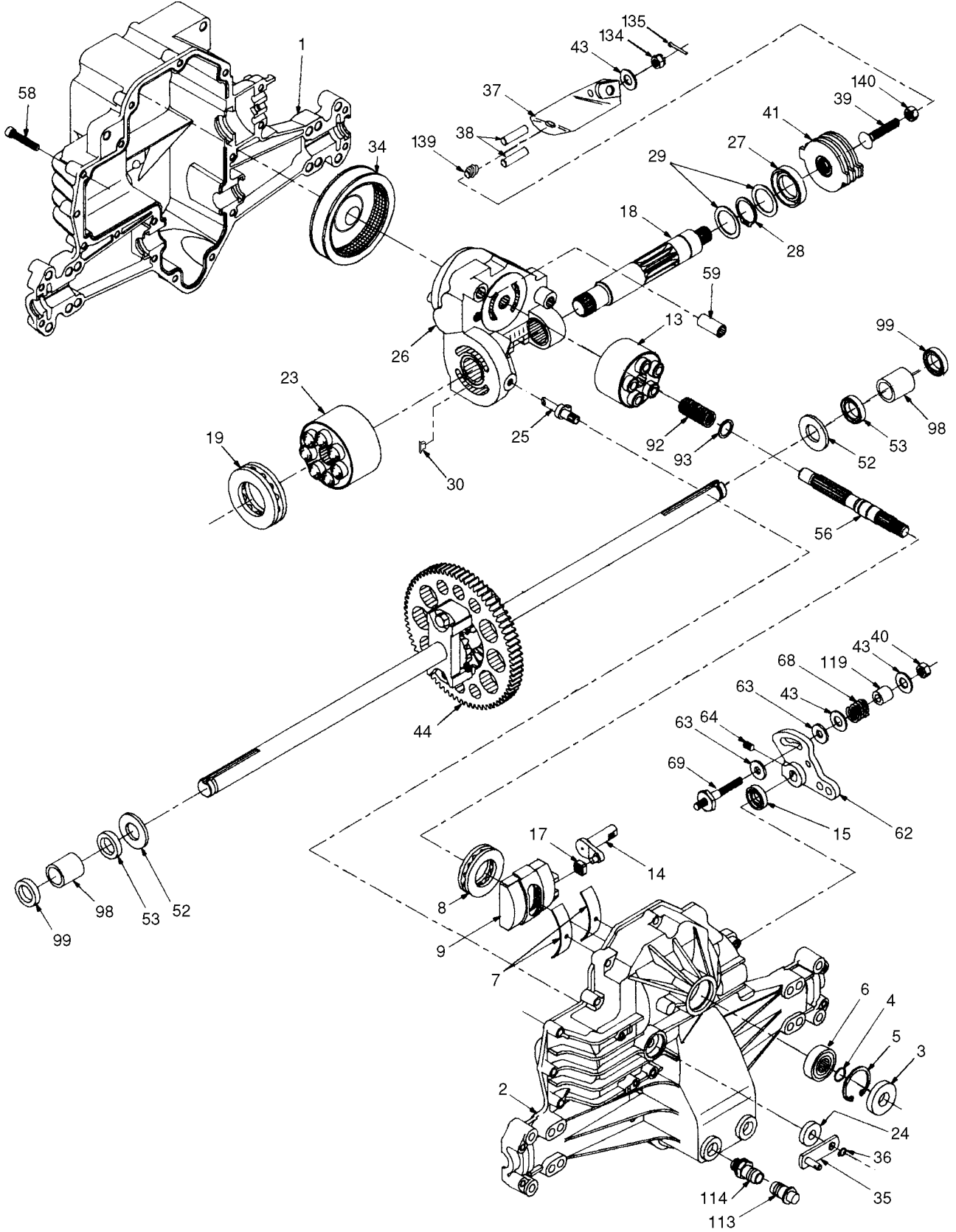
## MOWER DECK

| KEY NO. | PART NO.  | DESCRIPTION                    | KEY NO. | PART NO.  | DESCRIPTION  |
|---------|-----------|--------------------------------|---------|-----------|--|
| 1       | 532162809 | Housing Asm Mower 42"          | 68      | 532144200 | V-Belt Mower   |
| 2       | 872140506 | Bolt Rdhd Sqnk 5/16-18unc X3/4 | 83      | 532120958 | Washer Sintered  |
| 3       | 532138017 | Bracket Asm Fr Sway Bar 38/42  | 84      | 532156084 | Keeper Belt Idler  |
| 4       | 532138440 | Bracket Asm Deck 42"sway Bar   | 85      | 872140620 | Bolt Carriage 3/8-16 x 2-1/2 Gr.5  |
| 5       | 532124670 | Retainer Spring                | 90      | 874760616 | Bolt Fin Hex 3/8-16unc X 1   |
| 6       | 532130832 | Arm Suspension Rear            | 91      | 532132274 | Bracket Asm Noseroller LH  |
| 8       | 532850857 | Bolt 3/8-24x1 25 Gr8 Patched   | 92      | 873800600 | Nut Lock Hex w/ins. 3/8-16 UNC   |
| 9       | 810030600 | Washer Lock Hvy 3/8 Unplated   | 93      | 819171416 | Washer 17/32 X 7/8 X 16 Ga   |
| 10      | 532140296 | Washer Hard Blade Mower Vented | 94      | 532132264 | Roller Nose 38 & 42  |
| 11      | 532134149 | Blade Mower Mulching 42"       | 95      | 532132273 | Bracket Asm Noseroller RH  |
| 12      | 532129895 | Bearing Ball #6204 (Mandrel)   | 101     | 532136420 | Cover Mulching 42" Blk   |
| 13      | 532137645 | Shaft Asm W/lower Bearing      | 102     | 871161010 | Screw  |
| 14      | 532128774 | Housing Mandrel Vented(machd)  | 103     | 819061216 | Washer #10   |
| 15      | 532110485 | Bearing Ball Mandrel           | 104     | 810071000 | Washer Lock #10  |
| 16      | 532140329 | Stripper Round Mower           | 105     | 532160793 | Latch Asm Bagger   |
| 17      | 872110618 | Bolt Rdhd Sqnk 3/8-16 X 2-1/4  | 106     | 532125004 | Nut Weld .327/.304 #10-24  |
| 18      | 872140505 | Bolt Carr 5/16-18 X 5/8        | 116     | 532137644 | Bolt Shld  |
| 19      | 532132827 | Bolt Shoulder                  | 117     | 532133957 | Wheel Gauge  |
| 20      | 532159770 | Baffle Vortex 42               | 118     | 873930600 | Nut Centerlock 3/8 - 16 UNC  |
| 21      | 873680500 | Nut Crown Lock 5/16-18         | 119     | 819121414 | Washer 3/8 x 7/8 x 14 Ga.  |
| 22      | 532134753 | Stiffener Bracket 42"deck      | 125     | 876020816 | Cotter Pin   |
| 23      | 532131267 | Bracket Deflector Mower 42"    | 128     | 532153390 | Washer Felt  |
| 24      | 532105304 | Cap Sleeve 80x 112 Blk Mower   | 129     | 819131312 | Washer 13/32 x 13/16 x 12 Ga.  |
| 25      | 532123713 | Spring Torsion Deflector 2 52  | 130     | 874780616 | Bolt Fin Hex 3/8-16 UNC x 1 Gr. 5  |
| 26      | 532110452 | Nut Push Phos & Oil            | 131     | 872140608 | Bolt Rdhd Sqnk 3/8-16 x 1  |
| 27      | 532130968 | Shield Deflector Mower 42" Blk | 132     | 819132203 | Washer 13/32 x 1-3/8 x 3 Ga.   |
| 28      | 819111016 | Washer 11/32 X 5/8 X 16 Ga     | 133     | 872110622 | Bolt RDHD 3/8-16 UNC x 2-3/4 Gr.5  |
| 29      | 532131491 | Rod Hinge 42"6 75 Wlg          | 134     | 532156941 | Pin Head Rivet   |
| 30      | 532157722 | Screw Thdrol Washer Head       | 135     | 532159765 | Bracket Asm Whl Ga Rear LH 42"   |
| 31      | 532129963 | Washer Spacer Mower Vented     | 136     | 532155986 | Bar Adjusting Gauge Wheel  |
| 32      | 532153535 | Pulley Mandrel 42"             | 137     | 872110505 | Bolt Carr 5/16-18 x 5/8  |
| 33      | 532137266 | Nut 9/16top Lock Flng Cntr     | 138     | 532159763 | Bracket Asm Whl Ga Rear Rh 42"   |
| 35      | 532133835 | Fastner Christmas Tree         | 139     | 532159767 | Bracket Asm Whl Ga Front Rh 42"  |
| 36      | 532131494 | Pulley Idler Flat 3 060        | 140     | 532159768 | Bracket Asm Whl Ga Front Rh 42"  |
| 37      | 819131316 | Washer 13/32 X 13/16 X 16 Ga   | --      | 532162859 | Deck Serv 42" Elec Vent (Standard Deck - Order Nose Roller, Gauge Wheel and Mulcher Plate components separately Key Nos. 90-95, 101-106 and 111-121) |
| 38      | 532132823 | Spacer Spring Stop Idler       | --      | 532130794 | Mandrel Assembly (Includes Key Numbers 8-10, 12-15, 31 and 33)   |
| 40      | 873680600 | Nut Lock 3/8-16 Unc            |         |           |  |
| 44      | 532140088 | Guard Mandrel LH Black         |         |           |  |
| 46      | 532137729 | Screw Thdrol 1/4-20x5/8        |         |           |  |
| 54      | 532133943 | Washer Hardened                |         |           |  |
| 55      | 532140084 | Arm Idler 42"mower LT/YT       |         |           |  |
| 56      | 532122052 | Spacer Retainer Pm Mower       |         |           |  |
| 59      | 532141043 | Guard, Belt                    |         |           |  |
| 61      | 532131950 | Spring Ext. Elect              |         |           |  |

**NOTE:** All component dimensions give in U.S. inches.  
1 inch = 25.4 mm.

# REPAIR PARTS

TRACTOR - MODEL NO. LTH145 (95414006D), PRODUCT NO. 954 14 00-06  
HYDRO GEAR TRANSAXLE - MODEL NUMBER 319-0500



# REPAIR PARTS

TRACTOR - MODEL NO. LTH145 (954140006D), PRODUCT NO. 954 14 00-06

## HYDRO GEAR TRANSAXLE - MODEL NUMBER 319-0500

| KEY PART<br>NO. NO. | DESCRIPTION | KEY PART<br>NO. NO.          | DESCRIPTION |           |                           |
|---------------------|-------------|------------------------------|-------------|-----------|---------------------------|
| 1                   | 532142986   | Housing, Lower               | 40          | 532150778 | Locknut, Hex 5/16-24 UNJC |
| 2                   | 532142987   | Assembly, Upper Housing      | 41          | 532142958 | Brake Rotor/Stator Kit    |
| 3                   | 532142932   | Seal, Lip                    | 43          | 532142884 | Washer 7/16 x 7/8 x .060  |
| 4                   | 532142928   | Ring, Wire Retaining         | 44          | 532142990 | Differential Assembly     |
| 5                   | 532142933   | Ring, Retaining              | 52          | 532142991 | Washer 3/4 x 1.5 x .13    |
| 6                   | 532142934   | Bearing, Shaft Ball          | 53          | 532142961 | Seal .75 x 1.25 x .250    |
| 7                   | 532142935   | Bearing, Cradle              | 56          | 532142963 | Shaft, Input              |
| 8                   | 532150771   | Bearing, Thrust 30 x 52 x 13 | 58          | 532142964 | Bolt 1/4-20 x 1.38        |
| 9                   | 532142937   | Swashplate, Variable         | 59          | 532142965 | Pin .5 OD x .43 ID x .750 |
| 13                  | 532142938   | Block, Cylinder Assembly     | 62          | 532142966 | Arm, Control              |
| 14                  | 532142939   | Arm, Trunnion                | 63          | 532142967 | Puck, Dampener            |
| 15                  | 532142940   | Seal, Lip                    | 64          | 532142920 | Set Screw                 |
| 17                  | 532142941   | Guide, Slot                  | 68          | 532142969 | Spring                    |
| 18                  | 532150772   | Shaft, Motor                 | 69          | 532144610 | Stud 5/16-24              |
| 19                  | 532150773   | Bearing, Thrust 42 x 68 x 16 | 92          | 532142977 | Spring, Block             |
| 23                  | 532142944   | Block, Cylinder Assembly     | 93          | 532142978 | Washer, Block Thrust      |
| 24                  | 532142945   | Seal, Lip 10 x 25 x 7        | 98          | 532142993 | Sleeve Bearing            |
| 25                  | 532142946   | Actuator, Bypass             | 99          | 532142976 | Seal, Wiper               |
| 26                  | 532150774   | Center Section Assembly Kit  | 113         | 532142917 | Cap, Vent Assembly        |
| 27                  | 532142948   | Seal, Lip 26 x 42 x 8        | 114         | 532142918 | Fitting, O-Ring Assembly  |
| 28                  | 532142949   | Ring, Retaining              | 119         | 532142980 | Spacer                    |
| 29                  | 532142950   | Washer 26 x 35 x 1           | 134         | 532144607 | Nut, Castle 5/16-24       |
| 30                  | 532150787   | Nut, Jam                     | 135         | 532144608 | Pin, Cotter               |
| 34                  | 532142951   | Oil Filter Element           | 139         | 532150775 | Spring, Compression       |
| 35                  | 532142952   | Arm, Bypass                  | 140         | 532150776 | Nut, Hex 5/16-24          |
| 36                  | 532142953   | Ring, Retaining              |             |           |                           |
| 37                  | 532142954   | Arm, Actuating               |             |           |                           |
| 38                  | 532142955   | Pin, Actuating               |             |           |                           |
| 39                  | 532150777   | Bolt 5/16-24 x 1-3/4         |             |           |                           |

**NOTE:** All component dimensions given in U.S. inches  
1 inch = 25.4 mm