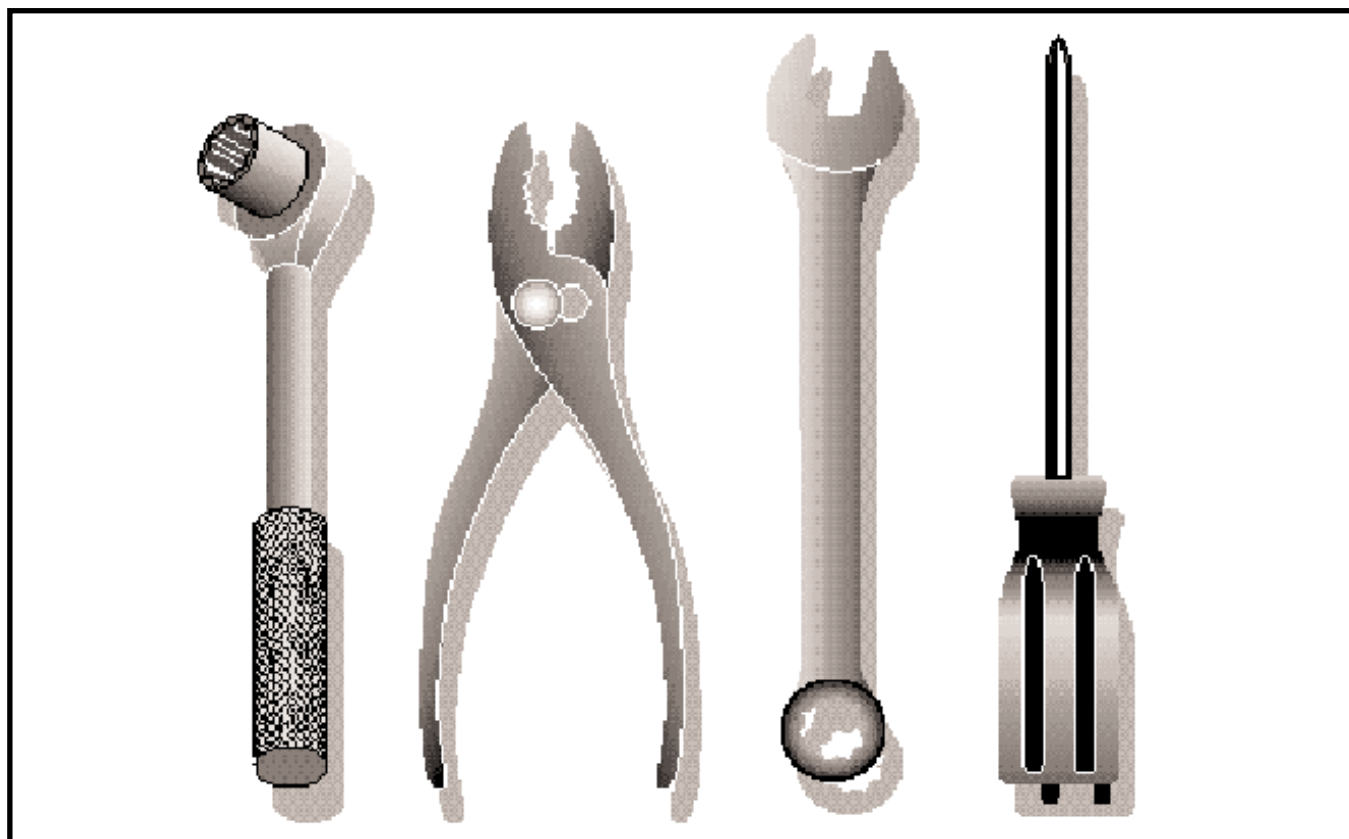


Ride Mower

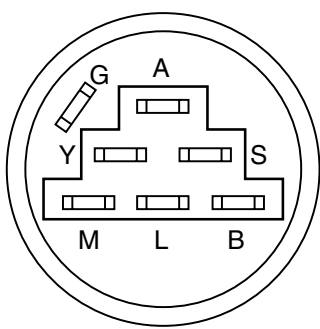
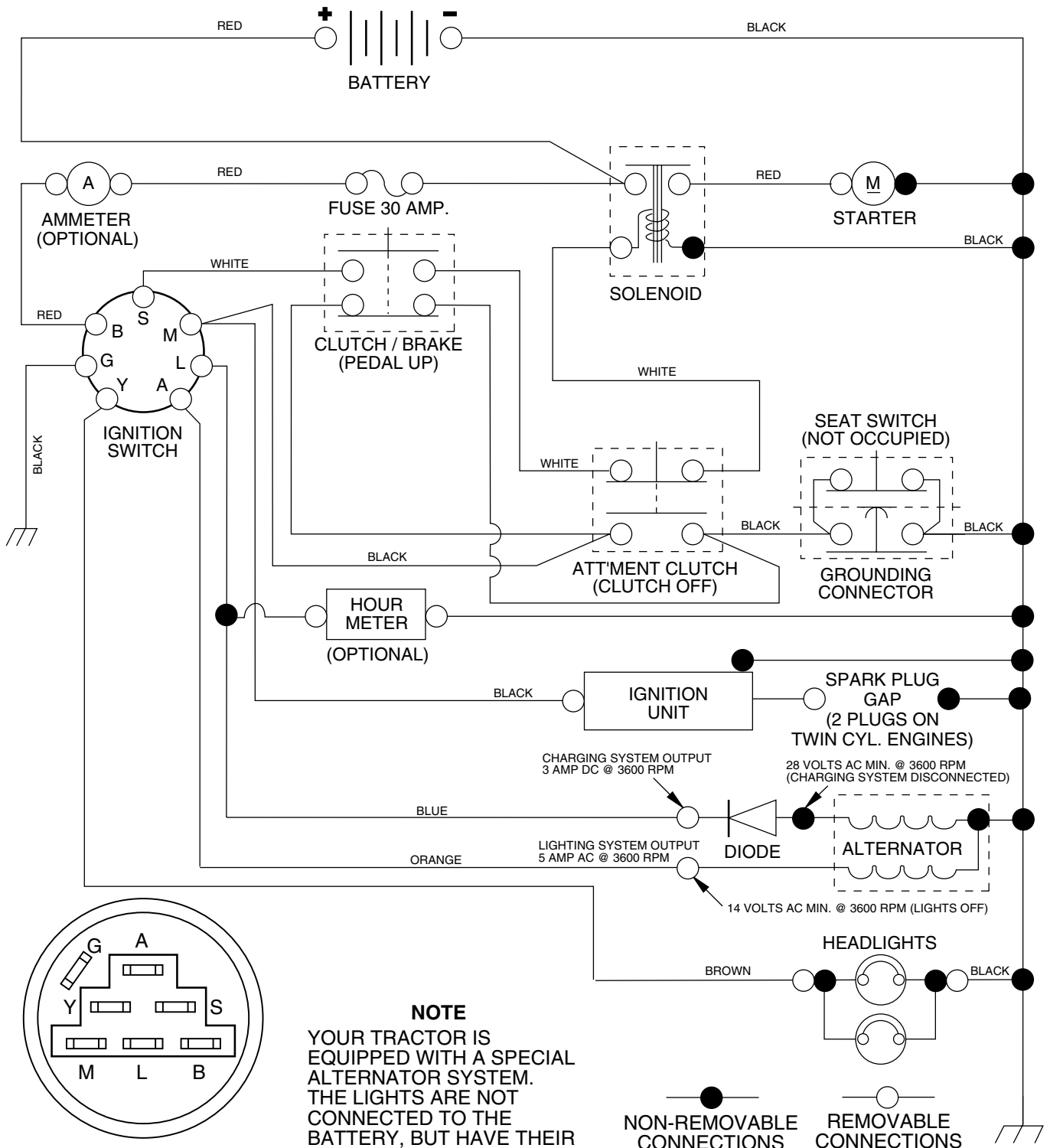
LT 120

(HCLT120B), 954140047



TRACTOR - MODEL NO. LT120 (HCLT120B), PRODUCT NO. 954 14 00-47

SCHEMATIC



IGNITION SWITCH

POSITION	CIRCUIT	"MAKE"
OFF	G + M + L	NONE
RUN/LIGHT	B + L	A + Y
RUN	B + L	NONE
START	B + L + S	NONE

NOTE

YOUR TRACTOR IS EQUIPPED WITH A SPECIAL ALTERNATOR SYSTEM. THE LIGHTS ARE NOT CONNECTED TO THE BATTERY, BUT HAVE THEIR OWN ELECTRICAL SOURCE. BECAUSE OF THIS, THE BRIGHTNESS OF THE LIGHTS WILL CHANGE WITH ENGINE SPEED. AT IDLE THE LIGHTS WILL DIM. AS THE ENGINE IS SPEEDED UP, THE LIGHTS WILL BECOME THEIR BRIGHTEST.

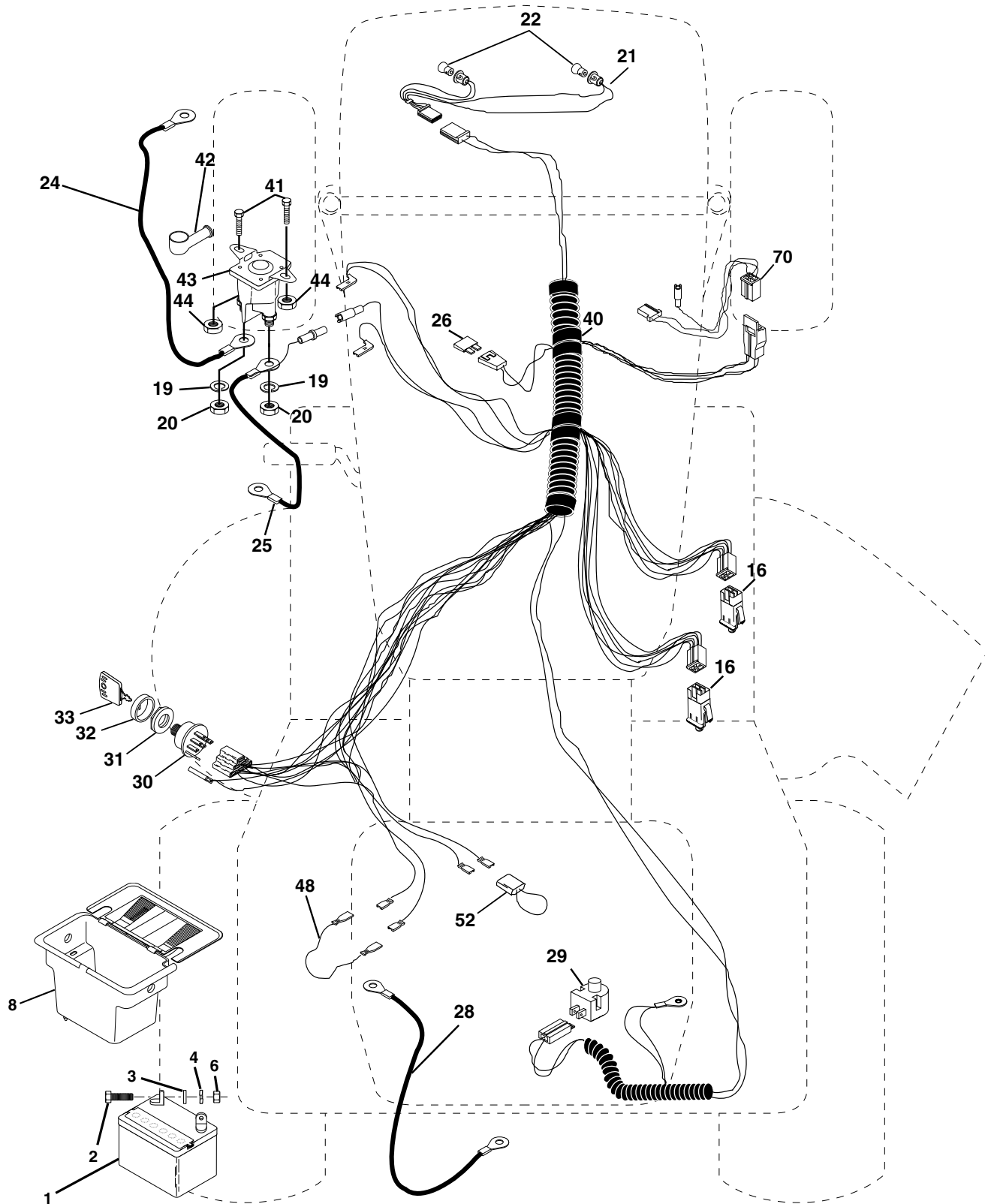
WIRING INSULATED CLIPS

NOTE: IF WIRING INSULATED CLIPS WERE REMOVED FOR SERVICING OF UNIT, THEY SHOULD BE REPLACED TO PROPERLY SECURE YOUR WIRING.

REPAIR PARTS

TRACTOR - MODEL NO. LT120 (HCLT120B), PRODUCT NO. 954 14 00-47

ELECTRICAL



REPAIR PARTS

TRACTOR - MODEL NO. LT120 (HCLT120B), PRODUCT NO. 954 14 00-47

ELECTRICAL

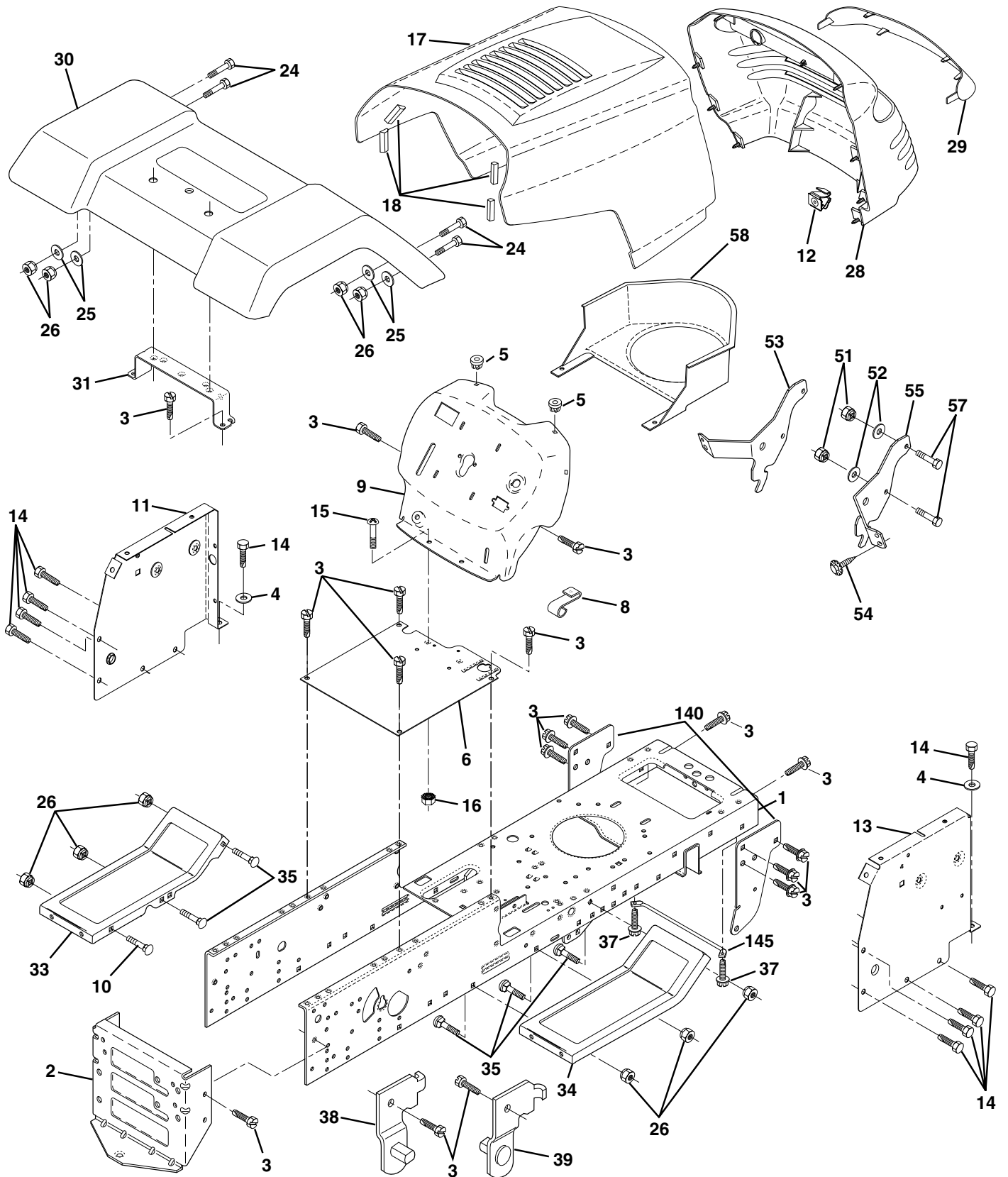
KEY NO.	PART NO.	DESCRIPTION
1	532144925	Battery 12 Volt 25 Amp
2	874760412	Bolt Hex Hd 1/4-20unc X 3/4
3	819091016	Washer 9/32 X 5/8 X 16 Ga
4	810040400	Washer Lock Hvy Helical 1/4
6	873220400	Nut Fin Hex 1/4-20 Unc
8	532156417	Case Battery Mech Hiinge
16	532153664	Switch Interlock Push-In
19	810090400	Washer Lock 1/4
20	873350400	Nut Jam Hex 1/4-20 Unc
21	532136850	Harness Asm Light W/4152j
22	532004152	Bulb Light #1156
24	532124780	Cable Battery 6 Ga 11"red
25	532146147	Cable Battery
26	532108824	Fuse 30 AMP Auto Green
28	532124773	Cable Ground 6 Ga 12"black
29	532121305	Switch Plunger Nc Gray
30	532140301	Switch Ign 4
31	532124211	Nut Ignition
32	532141226	Cover Sw Ignition
33	532122147	Key Ign
40	532156442	Harness Ign
41	871110408	Bolt Blk Fin Hex 1/4-20
42	532131563	Cover Terminal Red
43	532145673	Solenoid
44	873640400	Nut Keps Blk Hex 1/4-20 Unc
48	532140844	Adapter Ammeter
52	532141940	Protection Wire Loop
70	532140413	Harness Eng Briggs/Tec Dual

NOTE: All component dimensions given in U.S. inches.
1 inch = 25.4 mm.

REPAIR PARTS

TRACTOR - MODEL NO. LT120 (HCLT120B), PRODUCT NO. 954 14 00-47

CHASSIS AND ENCLOSURES



REPAIR PARTS

TRACTOR - MODEL NO. LT120 (HCLT120B), PRODUCT NO. 954 14 00-47

CHASSIS AND ENCLOSURES

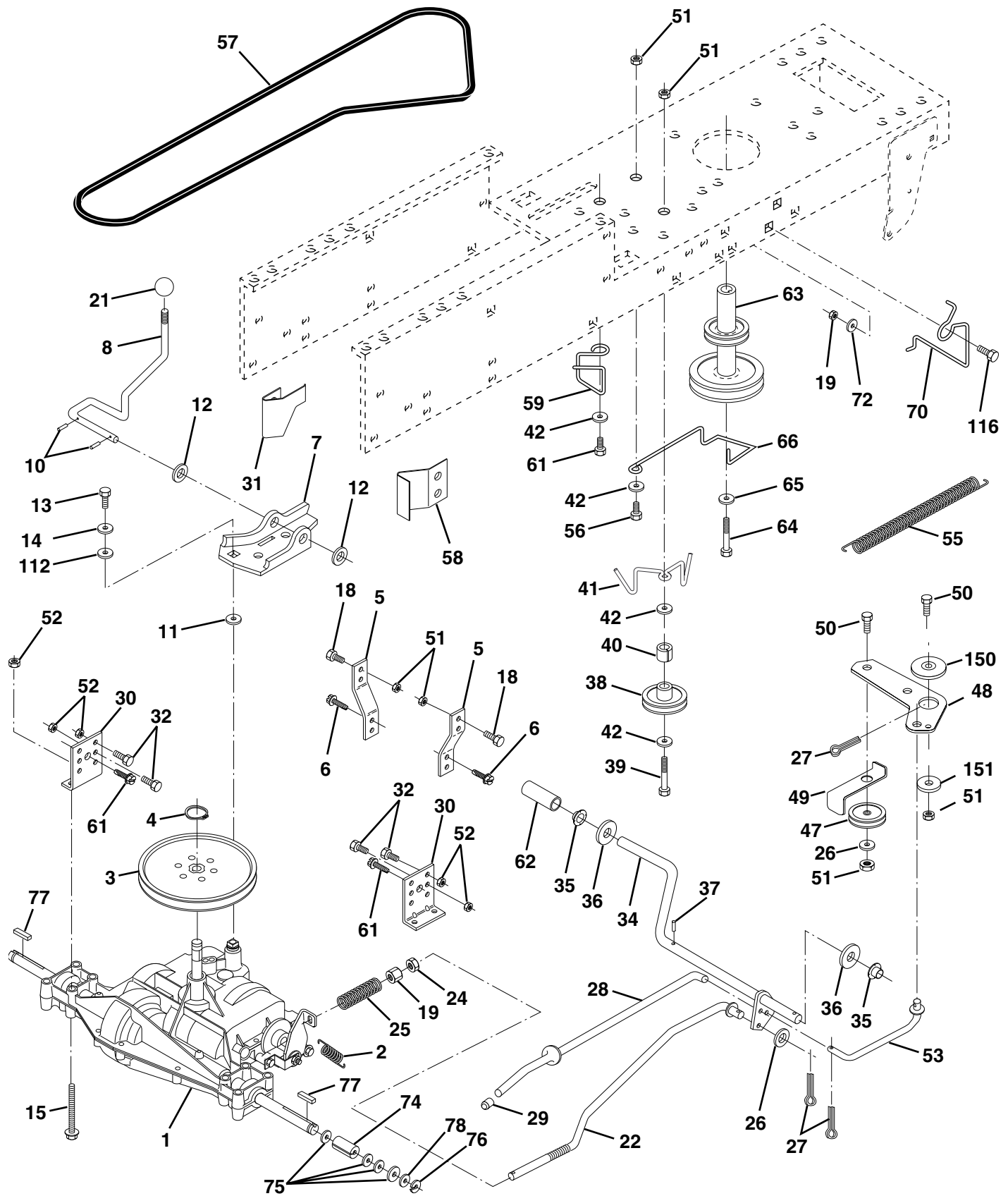
KEY NO.	PART NO.	DESCRIPTION
1	532160393	Chassis Lt Stamping 98
2	532140356	Drawbar, Stretch
3	817490612	Screw Thdrol 3/8-16x3/4 Ty-tt
4	819131216	Washer 13/32 X 3/4 X 16 Ga.
5	532155272	Bumper, Hood/Dash
6	532162235	Saddle Silkscreen Flt Sdl
8	532155138	Clip Retainer Slide-On
9	532162717	Dash Slkscr
10	872140608	Bolt, Carriage 3/8-16 x 1
11	532155927	Panel Dash LH
12	532145660	Clip Tinnerman Grille P.L
13	532157262	Panel Slkscr Dash RH
14	817490608	Screw Thdrol 3/8-16x1/2 Ty-tt
15	874180512	Screw Mach TRHD 5/16-18uncx3/4
16	873510500	Nut Keps 5/16-18 Unc
17	532162237	Hood Pnt Stl Prvt Lbl
18	532126938	Bumper Hood
24	874780616	Bolt Fin Hex 3/8-16unc X 1 Gr. 5
25	819131312	Washer 13/32 X 13/16 X 12 Ga
26	873800600	Nut Lock Hex w/Ins 3/8-16 Unc
28	532157373	Grille P.L Ms 428
29	532140273	Lens Grille Private Label
30	532163534	Fender Pnt LT W/o Shift(red)
31	532136619	Bracket Fender Repl 109873x
33	532162241	Footrest Pnt LH Perf
34	532162242	Footrest Pnt RH Perf
35	872110606	Bolt Rdhd Sht Sqnk 3/8-16 X3/4
37	817490508	Screw Thdrol 5/16-18 x 1/2 TYT
38	532139886	Bracket Asm Pvt LH MWR Rear
39	532139887	Bracket Asm Pvt RH MWR Rear
51	873800400	Nut Lock W/Insert 1/4-20unc
52	819091416	Washer 9/32 x 7/8x16 Ga.
53	532144697	Bracket Grille Lh
54	532161464	Screw
55	532144696	Bracket Grille Rh
57	874780412	Bolt Fin Hex 1/4-20 unc x .75
58	532150127	Duct Air Engine PL/LT
140	532158418	Bracket Suspension Front
145	532156524	Rod Pivot Chassis/Hood
—	532005479	Plug Button Blk 359 Dia Choke

NOTE: All component dimensions given in U.S. inches
1 inch = 25.4 mm

REPAIR PARTS

TRACTOR - MODEL NO. LT120 (HCLT120B), PRODUCT NO. 954 14 00-47

DRIVE



REPAIR PARTS

TRACTOR - MODEL NO. LT120 (HCLT120B), PRODUCT NO. 954 14 00-47

DRIVE

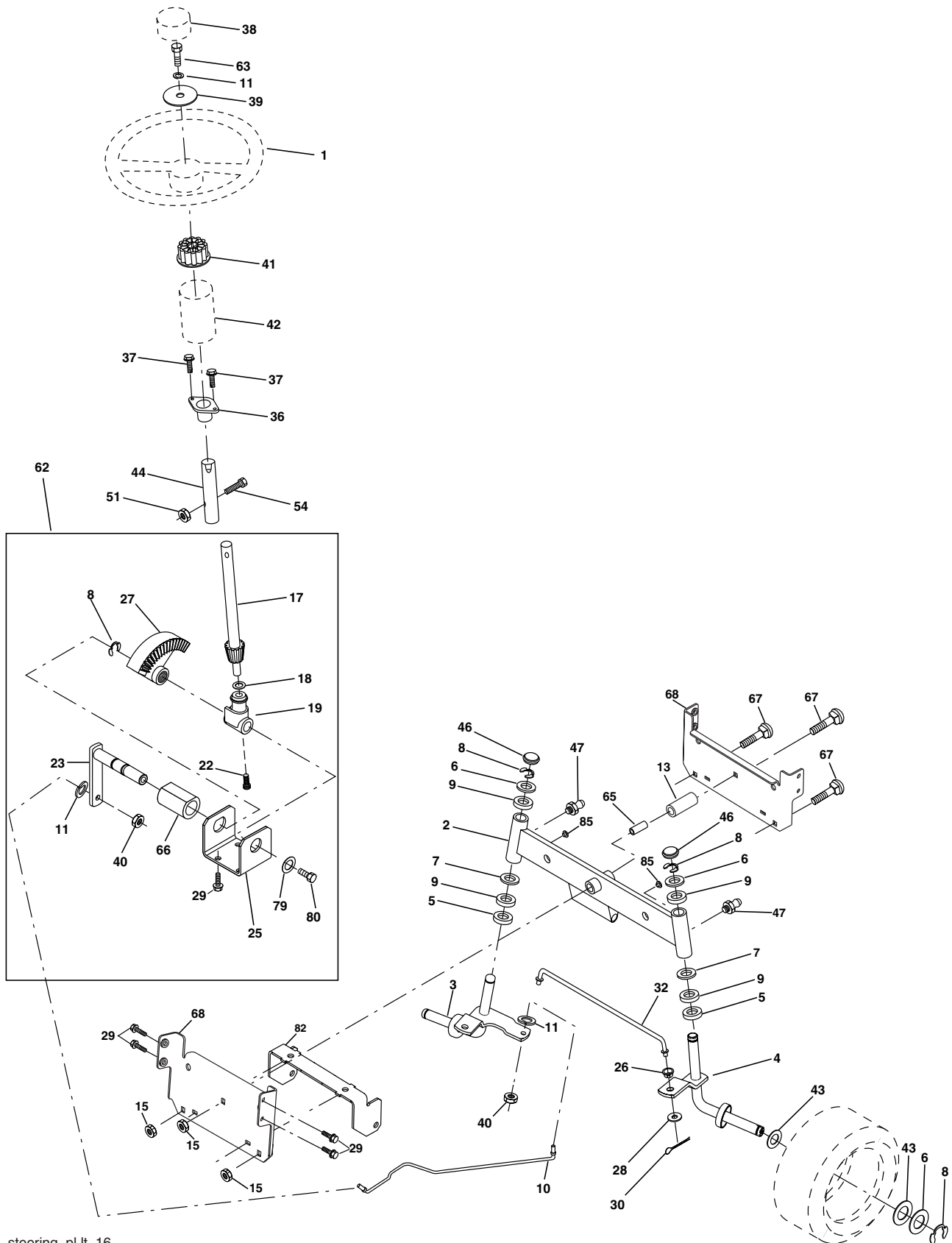
KEY PART NO.	NO.	DESCRIPTION	KEY PART NO.	NO.	DESCRIPTION
1	-----	Transaxle (See Breakdown) Dana Model 4360-120	41	532154777	Keeper Belt Idler
2	532146682	Spring Return Brake	42	819131312	Washer 13/32 X 13/16 X 12 Ga
3	532123666	Pulley Transaxle 18"tires	47	532127783	Pulley Idler V Groove Plastic
4	812000028	Ring Retainer # 5100-62	48	532154407	Bellcrank Clutch Grnd Drive STL
5	532121520	Strap Torque 30 Degrees	49	532123205	Retainer Belt Style Spring
6	817490512	Screw Thdrol 5/16-18 X 3/4 TYT	50	874760624	Bolt Hex Hd 3/8-16unc X 1-1/2
7	532162240	Plate Rod Shift T/a	51	873680600	Nut Crownlock 3/8-16 Unc
8	532131679	Rod Shifter Blk (Dana)	52	873680500	Nut Crownlock 5/16-18 unc
10	876020416	Pin Cotter 1/8 X 1 Cad	53	532105710	Link Clutch 7 66
11	532105701	Washer Plate Shf 388 Sq Hole	55	532105709	Spring Return Clutch 6 75
12	819151216	Washer 15/32 X 3/4 X 16 Ga	56	874760620	Bolt Fin Hex 3/8 X 16 x 1-1/4
13	874550412	Bolt 1/4-28 unf Gr. 8 w/Patch	57	532160855	V-Belt Ground Drive 95 30
14	810040400	Washer Lock Hvy Helical 1/4	58	532127274	Keeper Belt RH LT Pnt/zinc 16g
15	874490544	Bolt Hex Flghd 5/16-18 Gr. 5	59	532140312	Keeper Belt Chassis Span Ctr
18	874780616	Bolt Fin Hex 3/8-16unc X 1 Gr. 5	61	817490612	Screw Thdrol 3/8-16x3/4 Ty-tt
19	873800600	Nut lock Hex w/Ins 3/8-16 Unc	62	532124872	Cover Pedal Blk Round
21	532121274	Knob Duckhead 1/2-13 Unc Blk	63	532140186	Engine Pulley LT/YT
22	532130804	Rod Brake LT	64	871170764	Bolt Hex 7/16-20x4 Gr 5
24	873350600	Nut Hex Jam 3/8-16 Unc	65	810040700	Washer Lock Hvy Hlcl Spr 7/16
25	532106888	Spring Rod Brake 2 00 Zinc	66	532154778	Keeper Belt Engine
26	819131316	Washer 13/32 X 13/16 X 16 Ga	70	532134683	Guide Belt Mower Drive RH
27	876020412	Pin Cotter 1/8 X 3/4 Cad	72	819132012	Washer 13/32 X 1-1/4 X 12 Ga
28	532145204	Rod Brake Parking LT/YT	74	532109502	Spacer Axle
29	532071673	Cap Brake Parking Black	75	532121749	Washer 25/32 X 1 1/4 X 16 Ga
30	532130807	Bracket Transmission	76	812000001	E-ring #5133-75
31	532127275	Keeper Belt LH LT 14 Ga	77	532123583	Key Square 2 0 X 1845/ 1865
32	874760512	Bolt Fin Hex 5/16-18 x 3/4	78	532121748	Washer 25/32 X 1-5/8 X 16 Ga
34	532155071	Shaft Asm Pedal Foot	112	819091210	Washer 9/32 X 3/4 X 10 Ga
35	532120183	Bearing Nylon Blk 629 Id	116	872110610	Bolt Rdhd Sq Neck 3/8-16 x 1.25
36	819211616	Washer 21/32 X 1 X 16 Ga	148	532159103	Spacer
37	532124963	Pin Roll 3/16 X 1"	149	532122052	Spacer Retainer PM Mower
38	532123674X	Pulley Idler Flat	150	532150935	Bushing Nylon Collered
39	874760644	Bolt Fin Hex 3/8-16unc X 2-3/4	151	819133210	Washer 13/32 x 2 x 10 Ga.
40	532124965	Spacer Split 395 X 59 Bzp			

NOTE: All component dimensions given in U.S. inches
1 inch = 25.4 mm

REPAIR PARTS

TRACTOR - MODEL NO. LT120 (HCLT120B), PRODUCT NO. 954 14 00-47

STEERING ASSEMBLY



steering_pl.lt_16

REPAIR PARTS

TRACTOR - MODEL NO. LT120 (HCLT120B), PRODUCT NO. 954 14 00-47

STEERING ASSEMBLY

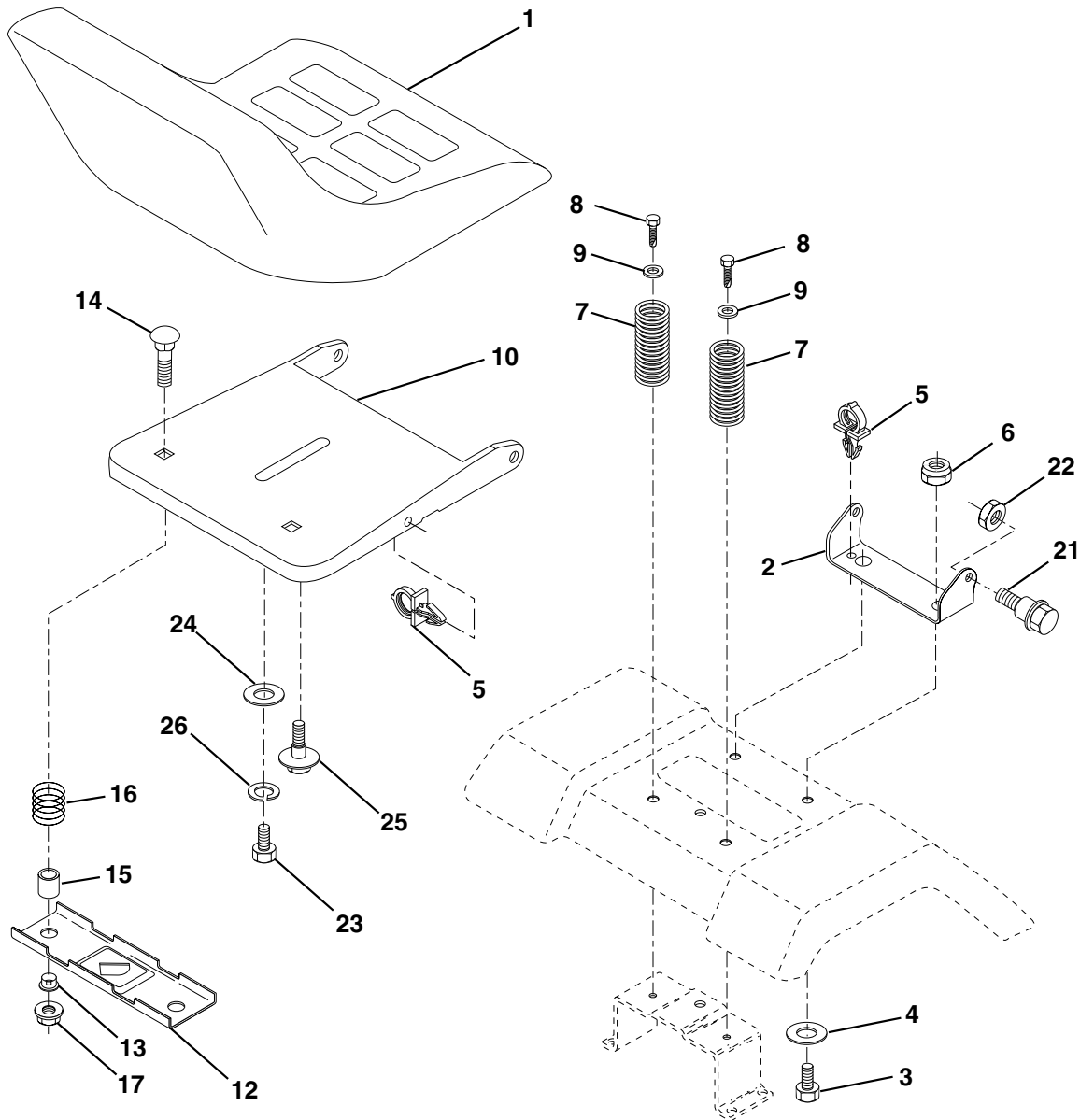
KEY NO.	PART NO.	DESCRIPTION
1	532140044	Wheel Steering Ayp/P/L Blk
2	532154427	Axle Asm
3	532156483	Spindle Asm LH
4	532157473	Spindle Asm RH
5	532124931	Bearing Race Thrust Harden
6	532121748	Washer 25/32 X 1-5/8 X 16 Ga
7	819272016	Washer 27/32 X 1-1/4 X 16 Ga
8	812000029	Ring Klip #t5304-75
9	532124937	Bearing Col Strg Blk
10	532156438	Link Drag Extended Stamped
11	810040600	Washer Lock Hvy Hlcl Spr 3/8
13	532154779	Bearing Axle
15	873901000	Nut Lock Flange 5/8-11 Unc
17	532156546	Shaft Asm Strg
18	532057079	Washer Thrust 515x 750x 033
19	532124035	Support Shaft
20	532126684	Washer Shim 1/4 X 5/8 X 062
22	871200410	Screw Hex Socket 1/4-20 x 5/8
23	532127501	Shaft Asm Pittman
25	532154406	Bracket Steering
26	532126847	Bushing Link Drag Blk LR
27	532136874	Gear Sector
28	819131416	Washer 13/32 X 7/8 X 16 Ga
29	817490612	Screw Thdrol 3/8-16x3/4 Ty-tt
30	876020412	Pin Cotter 1/8 X 3/4 Cad
32	532130465	Rod Tie Wire Form 19 75 Mech
36	532155099	Bushing Strg 5/8 Id Dash
37	532152927	Screw
38	532140045	Cap Wheel Steer Ayp
39	819133808	Washer 13/32 X 2-3/8 X 8 Ga
40	532124701	Nut Lock Center 3/8-24un
41	532100711	Adaptor Wheel Strg
42	532145054	Boot Dash Mtl Steering Blk
43	532121749	Washer 25/32 X 1 1/4 X 16 Ga
44	532153720	Extension Steering
46	532121232	Cap Spindle Fr Top Blk
47	532124836	Fitting Grease
51	873800500	Nut Lock Hex W/Ins 5/16-18
54	874780520	Bolt Fin Hex 3/8-16unc x 1-1/4
62	532156594	Kit Steering Assembly Service
63	874780616	Bolt Fin Hex 3/8-16unc x 1 Gr.5
65	532154780	Spacer Axle
66	532154404	Bearing Arm Pittman
67	874781044	Bolt Fin Hex 5/8-11 unc x 2-3/4
68	532154429	Brace Axle

NOTE: All component dimensions given in U.S. inches.
1 inch = 25.4 mm.

REPAIR PARTS

TRACTOR - MODEL NO. LT120 (HCLT120B), PRODUCT NO. 954 14 00-47

SEAT ASSEMBLY



KEY PART NO. NO.

DESCRIPTION

1	532127426	Seat
2	532140551	Bracket Pivot Seat 8 720
3	874760616	Bolt Fin Hex 3/8-16unc X 1
4	819131610	Washer 13/32 X 1 X 10 Ga
5	532145006	Clip Push-In
6	873800600	Nut Hex w/Ins. 3/8-16 Unc
7	532124181	Spring Seat Cprsn 2 250 Blk Zi
8	817490616	Screw Thdrol 3/8-16 X 1 Ty-tt
9	819131614	Washer 13/32 X 1 X 14 Ga.
10	532155925	Pan Seat
12	532121246	Bracket Mounting Switch
13	532121248	Bushing Snap Blk Nyl 50 Id
14	872050412	Bolt Rdhd Sqnk 1/4-20x1-1/2

KEY PART NO. NO.

DESCRIPTION

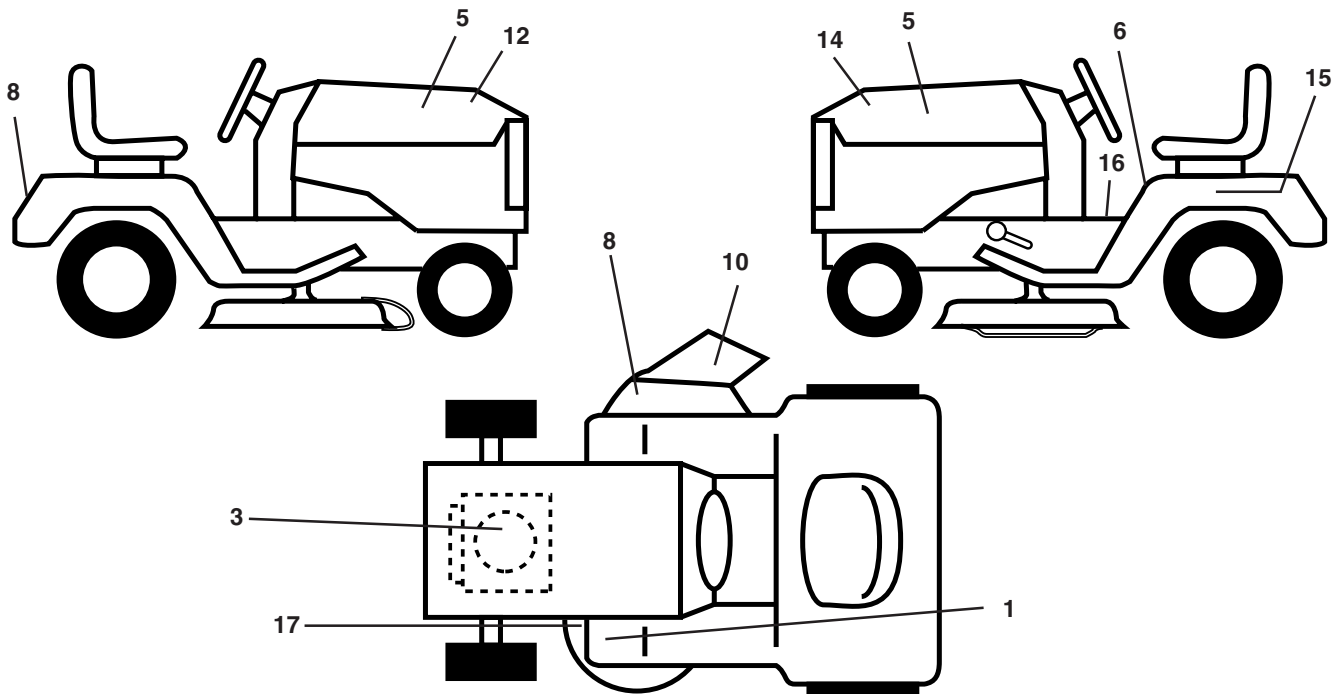
15	532134300	Spacer Split 28x 96 Yel Zinc
16	532121250	Spring Cprsn 1 27 Blk Pnt
17	532123976	Nut Lock 1/4 Lge Flg Gr 5 Zinc
21	532153236	Bolt Shoulder 5/16-18 Unc
22	873800500	Nut Hex Lock W/Ins 5/16-18
23	874780814	Bolt, Hex Head, Fin 1/2-13 x 7/8 Grade 5
24	819171912	Washer 17/32 X 1-3/16 X 12 Ga.
25	532127018	Bolt Shoulder 5/16-18 X 62
26	810040800	Washer Lock

NOTE: All component dimensions given in U.S. inches.
1 inch = 25.4 mm

REPAIR PARTS

TRACTOR - MODEL NO. LT120 (HCLT120B), PRODUCT NO. 954 14 00-47

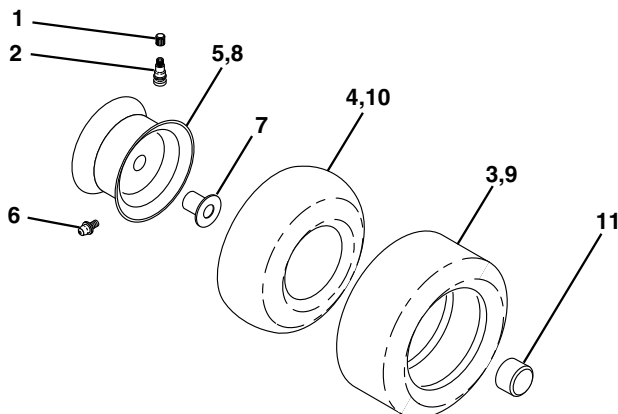
DECALS



KEY NO.	PART NO.	DESCRIPTION
1	532101892	Decal, Clutch/Brake English
3	532272440	Decal, Engine HP
5	532159713	Decal, Pnl Sd
6	532157140	Decal, Fender Danger English
8	532150617	Decal, Logo, Fender
10	532137259	Decal, Warning Multi-Language
12	532162110	Decal, Hood RH
14	532162111	Decal, Hood LH
15	532145005	Decal, Caution, Battery
16	532157163	Decal, Oper Sdl P/L Gear Dr Eng
17	532136832	Decal, V-Belt Sch.

KEY NO.	PART NO.	DESCRIPTION
--	532138311	Decal, Handle Lft Height Adj.
--	532164851	Manual, Owners (Eng)
--	532164852	Manual, Owners (Span)
Available accessories not included with mower:		
--	LSB42	42" Snow thrower
--	LBD48	48" Snow blade
--	LC05	33 lb. Wheel weights (pair)
--	CH12	Tire chains
--	MP38	Mulch w/Blades Kit

WHEELS & TIRES



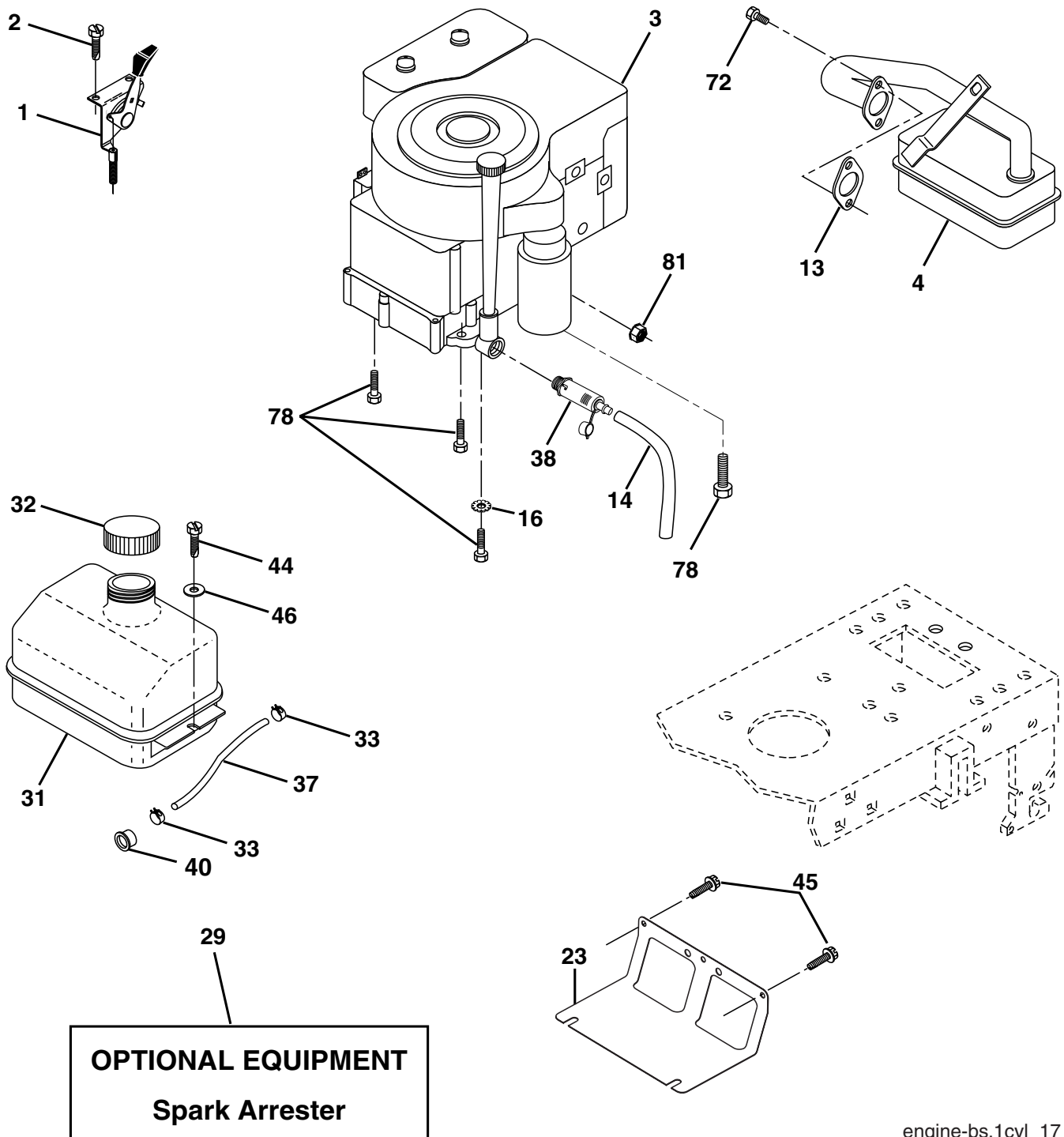
KEY NO.	PART NO.	DESCRIPTION
1	532059192	Cap, Tire valve
2	532065139	Stem, Valve
3	532106222	Tire, Front
4	532059904	Tube, Front (Service item only)
5	532141446	Rim assembly, 6" front
6	532124957	Fitting, Grease (Front wheel only)
7	532124959	Bearing, Flange (Front wheel only)
8	532141447	Rim assembly, 8" rear
9	532124635	Tire, Rear
10	532124926	Tube, Rear (Service item only)
11	532104757	Cap, Hub Axle
--	532144334	Sealant, Tire (10 oz. Tube)

NOTE: All component dimensions given in U.S. inches
1 inch = 25.4 mm

REPAIR PARTS

TRACTOR - MODEL NO. LT120 (HCLT120B), PRODUCT NO. 954 14 00-47

ENGINE



engine-bs.1cyl_17

REPAIR PARTS

TRACTOR - MODEL NO. LT120 (HCLT120B), PRODUCT NO. 954 14 00-47

ENGINE

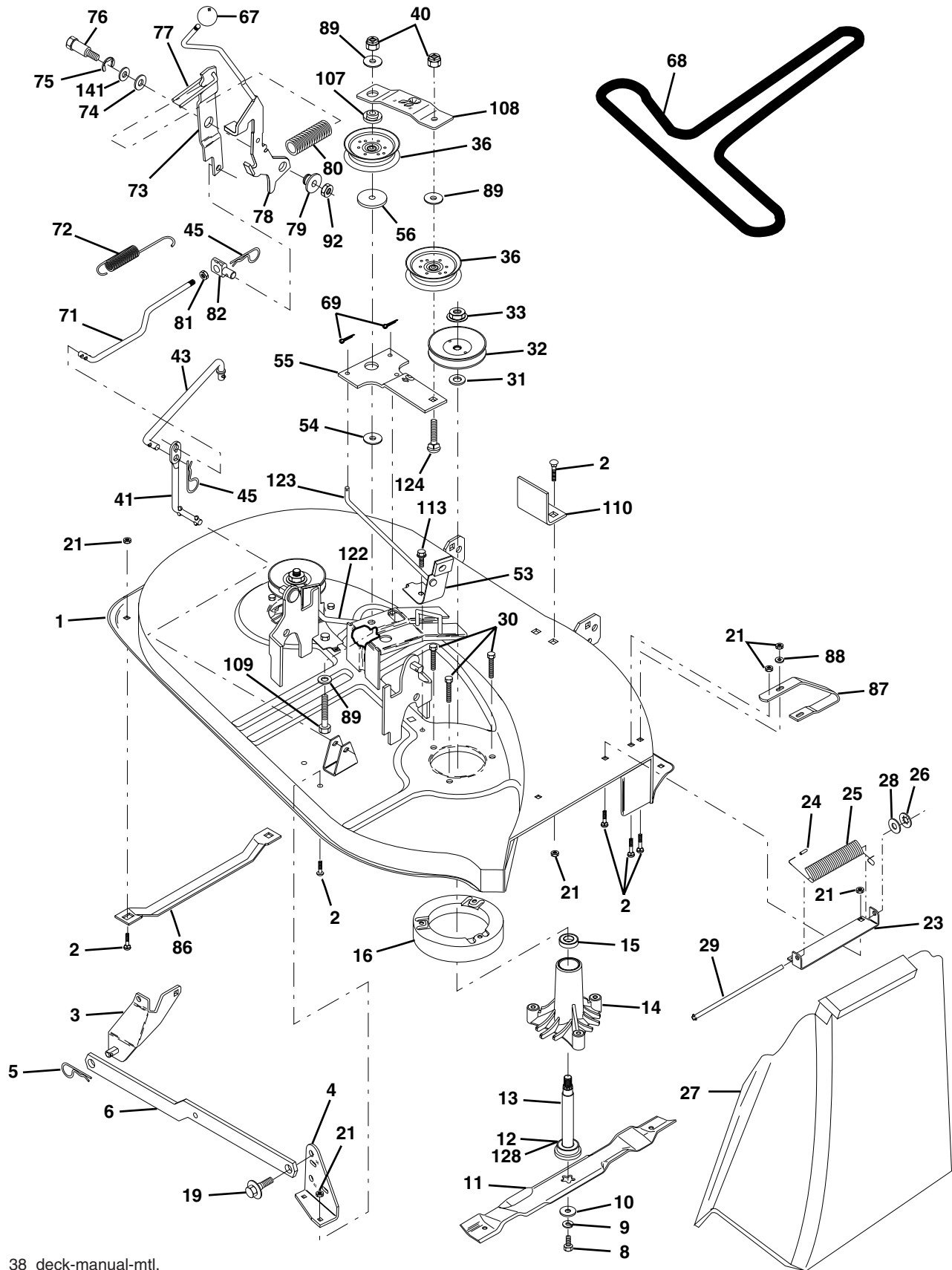
KEY NO.	PART NO.	DESCRIPTION
1	532140310	Control Th/ch Flag
2	817720410	Screw Hex Thd Cut 1/4-20x5/8 T
3	-----	Engine, B&S 289 707
4	532137348	Muffler Exhaust B&S Lc
13	532272293	Gasket Eng 1 313 Id Tin Plated
14	813280324	Nipple Pipe 3/8 Npt X 3"
15	813200300	Elbow Std 90 Degree 3/8-18 Npt
16	811050600	Washer Lock Ext Tooth 3/8
23	532159880	Shield Browning/Debris Guard
29	532137180	Kit Spark Arrestor (Flat Scrn)
31	532109202	Tank Fuel Front
32	532140527	Cap Asm Fuel
33	532123487	Clamp Hose
35	817490512	Screw Thdrol 5/16-18 x 3/4
37	532137040	Line Fuel 20"
38	-----	Oil Drain Plug (Order From Engine Manufacturer)
40	532124028	Bushing Snap Nyl Blk Fuel Line
44	817490412	Screw Thdrol 1/4-20 x 3/4
46	819091416	Washer 9/32 X 7/8 X 16 Ga
62	810040500	Washer Lock Hvy Hlcl Spr
72	871070512	Screw Hex Hd Cap 5/16-18 x 3/4

NOTE: All component dimensions given in U.S. inches
1 inch = 25.4 mm

REPAIR PARTS

TRACTOR - MODEL NO. LT120 (HCLT120B), PRODUCT NO. 954 14 00-47

MOWER DECK



REPAIR PARTS

TRACTOR - MODEL NO. LT120 (HCLT120B), PRODUCT NO. 954 14 00-47

MOWER DECK

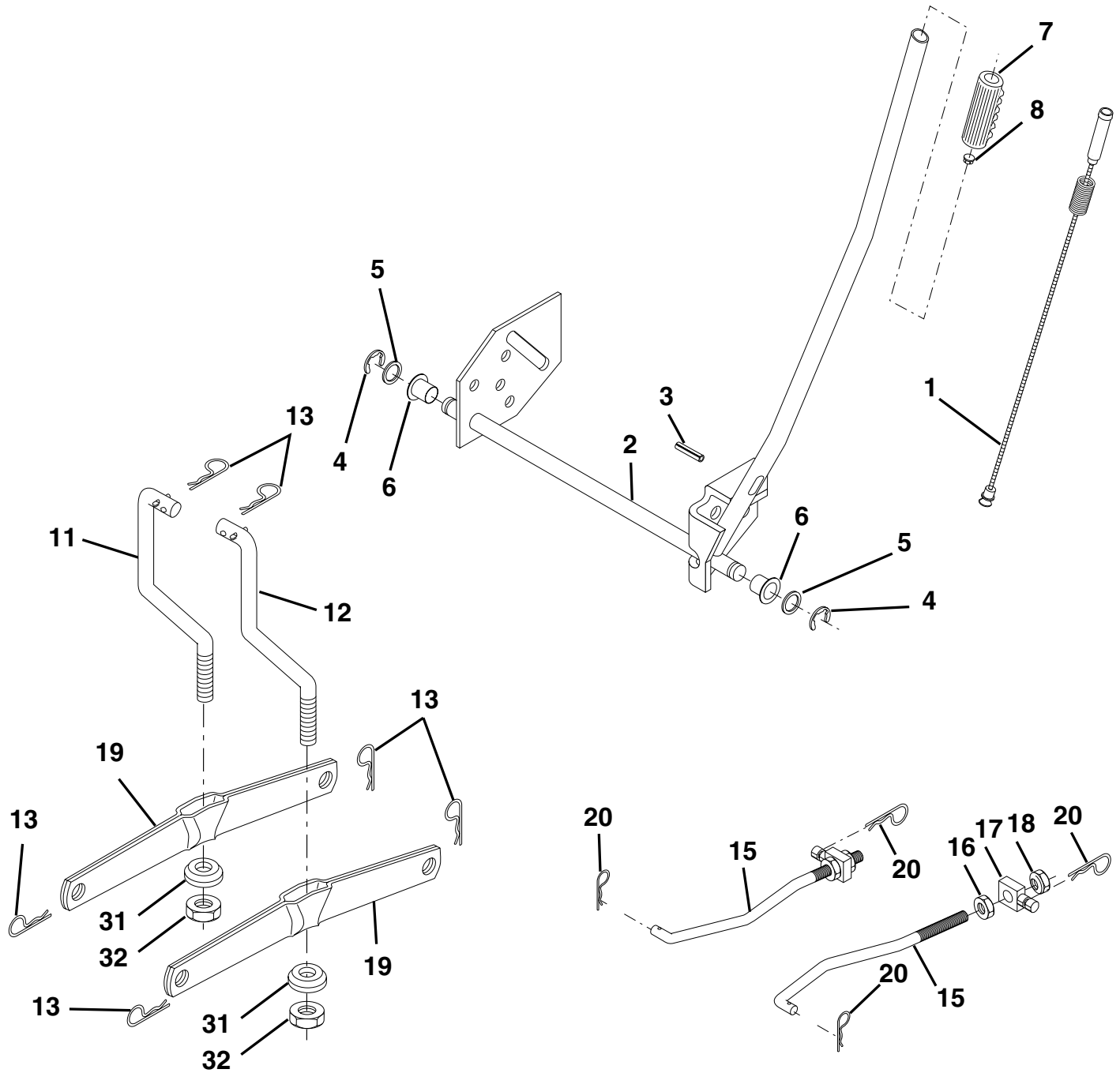
KEY NO.	PART NO.	DESCRIPTION	KEY NO.	PART NO.	DESCRIPTION
1	532142829	Mower Housing	56	532122052	Spacer Retainer Pm Mower
2	872140506	Bolt Rdhd Sqnk 5/16-18unc X3/4	67	532162132	Knob Rd 7/16-14 Plstc Thds Blk
3	532138017	Bracket assembly, front	68	532144200	V-Belt Mower
4	532138440	Bracket assembly, decl	69	876020312	Pin Cotter 3/32 X 3/4 Cad
5	532124670	Retaining spring	71	532142427	Rod Clutch Primary 38/42
6	532130832	Arm, suspension rear	72	532131870	Spring Return
8	532850857	Bolt 3/8-24x1 25 Gr8 Patched	73	532127847	Arm Clutch Secondary
9	810030600	Washer Lock Hvy 3/8 Unplated	74	532121748	Washer 25/32 X 1-5/8 X 16 Ga
10	532140296	Washer Hard Blade Mower Vented	75	812000029	Ring Klip #t5304-75
11	532134148	Blade High Lift 38"	76	532128903	Bolt Shoulder 3/8-16 Unc 1 44
12	532129895	Bearing Ball #6204 (Mandrel)	77	532127845	Keeper Spring 4000
13	532137645	Shaft Asm W/lower Bearing	78	532160570	Arm Asm Clutch Primary
14	532128774	Housing Mandrel Vented (machd)	79	532127498	Bushing 747 Od X 794 Lg Brass
15	532110485	Bearing Ball Mandrel	80	532153701	Spring Clutch Mower
16	532140329	Stripper MWR	81	873350600	Nut Hex Jam 3/8-16
19	532132827	Bolt Shoulder	82	532142028	Trunnion Adj '94
21	873680500	Nut Crownlock 5/16-18 UNC	86	532125074	Runner Mower LH 10 00
23	532137607	Bracket Deflector Mower	87	532128772	Runner RH 38"
24	532105304	Cap Sleeve 80x 112 Blk Mower	88	819111216	Washer 11/32 X 3/4 X 16 Ga
25	532123713	Spring Deflector	89	819131612	Washer 13/32 X 1 X 12 Ga
26	532110452	Nut Push Phos & Oil	92	873800600	Nut Lock Hex w/Ins 3/8-16 Unc
27	532106736	Shield Deflector Mower 38"blk	107	532133502	Spacer Arm Idler Upper Hdn 42"
28	819111016	Washer 11/32 X 5/8 X 16 Ga	108	532133503	Stiffener Arm Idler Upper 42"
29	532106735	Rod Hinge Brt/blk Zinc 9 88 Lg	109	874760640	Bolt Hex Fin 3/8-16 UNC x 2-1/2
30	532157722	Screw Thdrol Washer Head	110	532142587	Upstop Deck front
31	532129963	Washer Spacer Mower Vented	113	817490512	Screw Thdrol 5/16-18 X 3/4 TYT
32	532153532	Pulley Mandrel 38" Single	122	532131289	Rod Brake Mandrel LH 4 856
33	532137226	Nut 9/16top Lock Fling Cntr	123	532131288	Rod Brake Mandrel RH 10 744
36	532131494	Pulley Idler Flat 3060	124	872110614	Bolt Rdhd 3/8-16uncx1-3/4 Gr5
40	873680600	Nut Crownlock 3/8-16 Unc	128	532153390	Washer Felt
41	532133551	Rod Pivot W/nibs	141	532124931	Washer Thrust .75 x 1.230
43	532133504	Rod Clutch Secondary W/nibs	--	532142820	Deck Service 38" HL Mech TP
45	532124788	Spring Retainer 1" Zinc/cad	--	532130794	Mandrel Asm Service (Includes Key Nos. 12-15, 17-19, 31 and 33)
53	532130840	Brake Asm Mower Vented			
54	532133943	Washer Hardened			
55	532133840	Arm Idler 38"			

NOTE: All component dimensions given in U.S. inches
1 inch = 25.4 mm

REPAIR PARTS

TRACTOR - MODEL NO. LT120 (HCLT120B), PRODUCT NO. 954 14 00-47

MOWER LIFT



REPAIR PARTS

TRACTOR - MODEL NO. LT120 (HCLT120B), PRODUCT NO. 954 14 00-47

MOWER LIFT

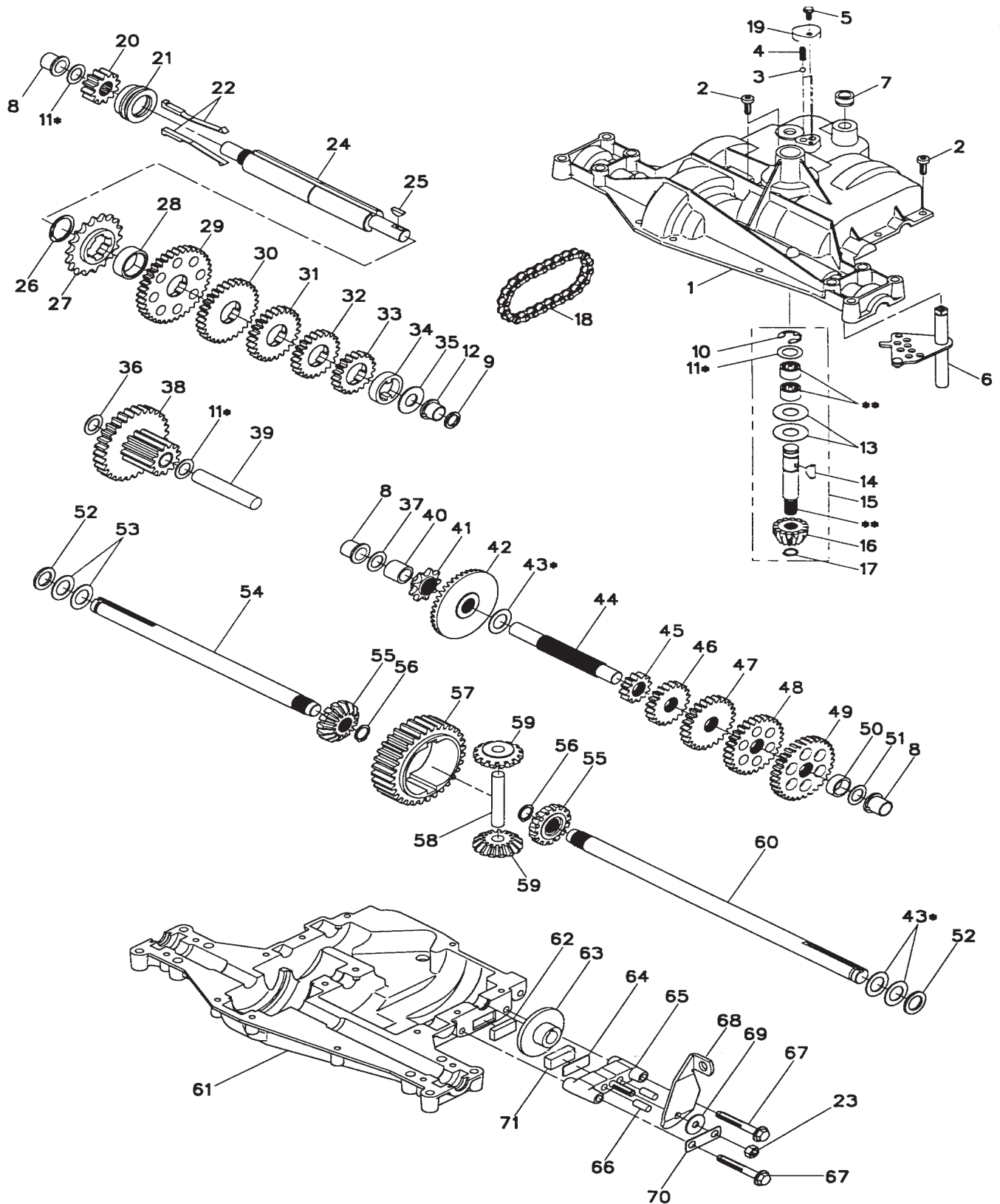
KEY NO.	PART NO.	DESCRIPTION
1	532159460	Wire Asm Inner W/plunger 17 32
2	532159471	Shaft Asm Lift
3	532105767	Pin Groove
4	812000002	E Ring #5133-62
5	819211621	Washer PLTD 21/32 X 1 X 21ga
6	532120183	Bearing Nylon Blk 629 Id
7	532109413	Grip Handle Bicycle
8	532124526	Button Plunger Black
11	532139865	Link Lift LH
12	532139866	Link Lift RH
13	532124670	Retainer Spring
15	532127218	Link Front
16	873350800	Nut Jam Hex 1/2-13 Unc
17	532130171	Trunnion Blk Zinc
18	873800800	Nut Lock W/wsh 1/2-13unc
19	532139868	Arm Suspension Rear
20	532124660	Spring, Retainer
31	532140302	Bearing Pvt. Lift Spherical
32	873540600	Nut Crownlock 3/8-24

NOTE: All component dimensions given in U.S. inches
1 inch = 25.4 mm

REPAIR PARTS

TRACTOR - MODEL NO. LT120 (HCLT120B), PRODUCT NO. 954 1400-47

DANA TRANSAXLE - MODEL NUMBER 4360-120



REPAIR PARTS

TRACTOR - MODEL NO. LT120 (HCLT120B), PRODUCT NO. 954 1400-47

DANA TRANSAXLE - MODEL NUMBER 4360-120

KEY PART NO.	NO.	DESCRIPTION	KEY PART NO.	NO.	DESCRIPTION
1	160939	Housing, Upper	37	2231J	Washer, Plain, .632 X 1.00 X .031
2	2274J	Screw, Tapping, 1/4-20 X .734	38	160944	Assy, Gear, Comb., 12T & 30T
3	134400	Ball, Detent	39	124639X	Shaft, Idler
4	105904X	Spring, Detent	40	120472X	Spacer, .633 X .87 X .755
5	160940	Screw, Tapping, No.10-24 X .482	41	105928X	Sprocket, 9T
6	138235	Assy, Shifter	42	161565	Gear, Bevel, 36T
7	108727X	V-Ring	43	134394	* Assy, Kit, Shim, .750 Shaft
8	148266	Bearing, Flange	44	120473X	Shaft, Drive
9	148269	Seal, Oil	45	142678	Gear, Spur, 12T
10	2225J	Ring, Retaining	46	124641X	Gear, Spur, 20T
11	134793	* Assy, Kit, Shim, .625 Shaft	47	106589X	Gear, Spur, 25T
12	148268	Bearing, Flange	48	120408X	Gear, Spur, 28T
13	120415X	Washer, Plain, .632 X 1.38 X .046	49	105937X	Gear, Spur, 31T
14	142674	Key, Woodruff, No. 9	50	105936X	Spacer, .781 x 1.00 x .375
15	161563	Assy, Kit, Input Shaft	51	2226J	Washer, Plain, .632 X 1.00 X .060
16	161564	Pinion, Bevel, 12T	52	134401	Washer, Neoprene
17	105909X	Ring, Retaining	53	2264J	Washer, Plain, .758X 1.25X .031
18	105910X	Chain, 24 Pitches	54	160946	Axle, LH
19	160942	Cover, Detent	55	160947	Gear, Miter, 12T
20	160943	Gear, Spur, 12T	56	160948	Ring, Retaining
21	148267	Collar, Clutch	57	110071X	Gear, Spur, 32T
22	138236	Assy, Kit, Clutch Keys	58	120952X	Shaft, Cross
23	73810500	Nut, Lock, 5/16-24	59	160949	Gear, Miter, 12T
24	142676	Shaft, Intermediate	60	160950	Axle, RH
25	2244J	Key, Woodruff, No. 61	61	142680	Housing, Lower
26	105916X	Ring, Retaining	62	120961X	Puck, Friction
27	120470X	Sprocket, 18T	63	7294J	Disc, Brake
28	110070X	Spacer, 1.131 X 1.45 X .494	64	108989X	Spacer, Brake Puck
29	142677	Gear, Spur, 37T	65	160952	Jaw, Brake
30	124644X	Gear, Spur, 30T	66	120954X	Pin, Dowel
31	108980X	Gear, Spur, 25T	67	160953	Screw, Tapping, 5/16-18 X 2.35
32	120406X	Gear, Spur, 22T	68	138244	Lever, Actuating
33	134796	Gear, Spur, 19T	69	108996X	Washer, Plain, .321 X 1.00 X .055
34	134797	Spacer, 1.133 X 1.50 X .375	70	160954	Bracket, Anti-Rotation
35	105925X	Washer, Plain, .640 X 1.37 X .061	71	120951X	Puck, Friction
36	2228J	Washer, Plain, .632 X 1.00 X .046	72	120416X	Grease

NOTE: All component dimensions given in U.S. inches
1 inch = 25.4 mm