

CRT 51

Spare parts

Ersatzteile

Pièces détachées

Reserve onderdelen

Repuestos

Reservdelar

Replaces

Ersetzt

Remplace

Vervangt

Reemplaza

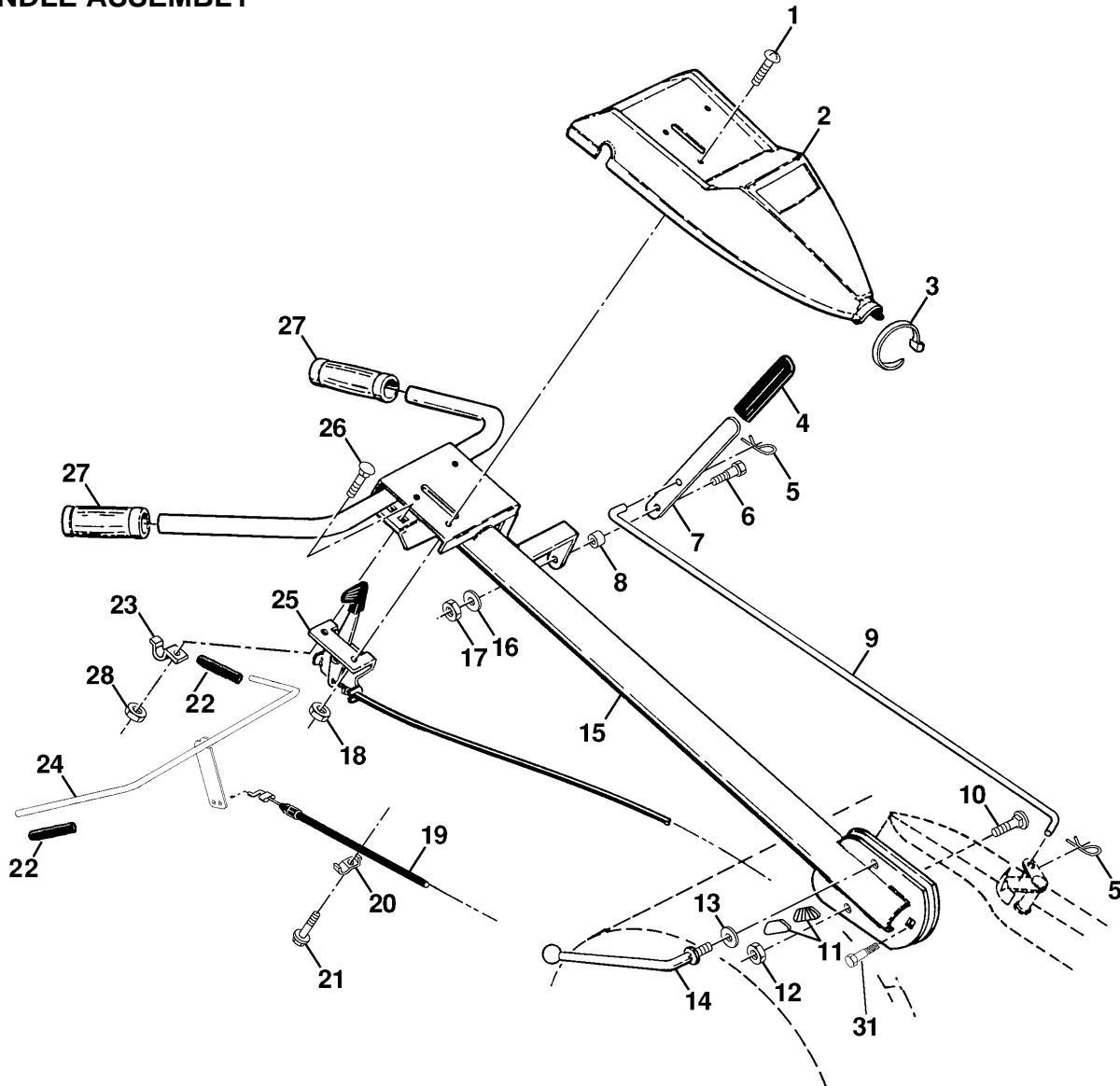
Ersätter

106 23 87-66

REPAIR PARTS

TILLER - - MODEL NUMBER CRT51 (HECRT51F)

HANDLE ASSEMBLY



KEY NO.	PART NO.	DESCRIPTION
1	871191008	Screw, Truss Hd. #10-24 UNC x 1/2
2	532126956	Panel, Control
3	532104164	Tie, Cable
4	532124797	Grip, Handle
5	532124788	Clip, Hairpin
6	532081328	Bolt, Shoulder
7	532109335	Handle, Shift
8	532109313	Grommet, Rubber
9	532109337	Rod, Shift
10	872110608	Bolt, Carriage 3/8-16 x 1 Gr. 5
11	532109229	Lock, Handle
12	873930600	Nut, Centerlock 3/8-16
13	819131611	Washer 13/32 x 1 x 11 Ga.
14	532109228	Lever, Lock, Handle
15	532151596	Handle
16	810040400	Washer, Lock 1/4

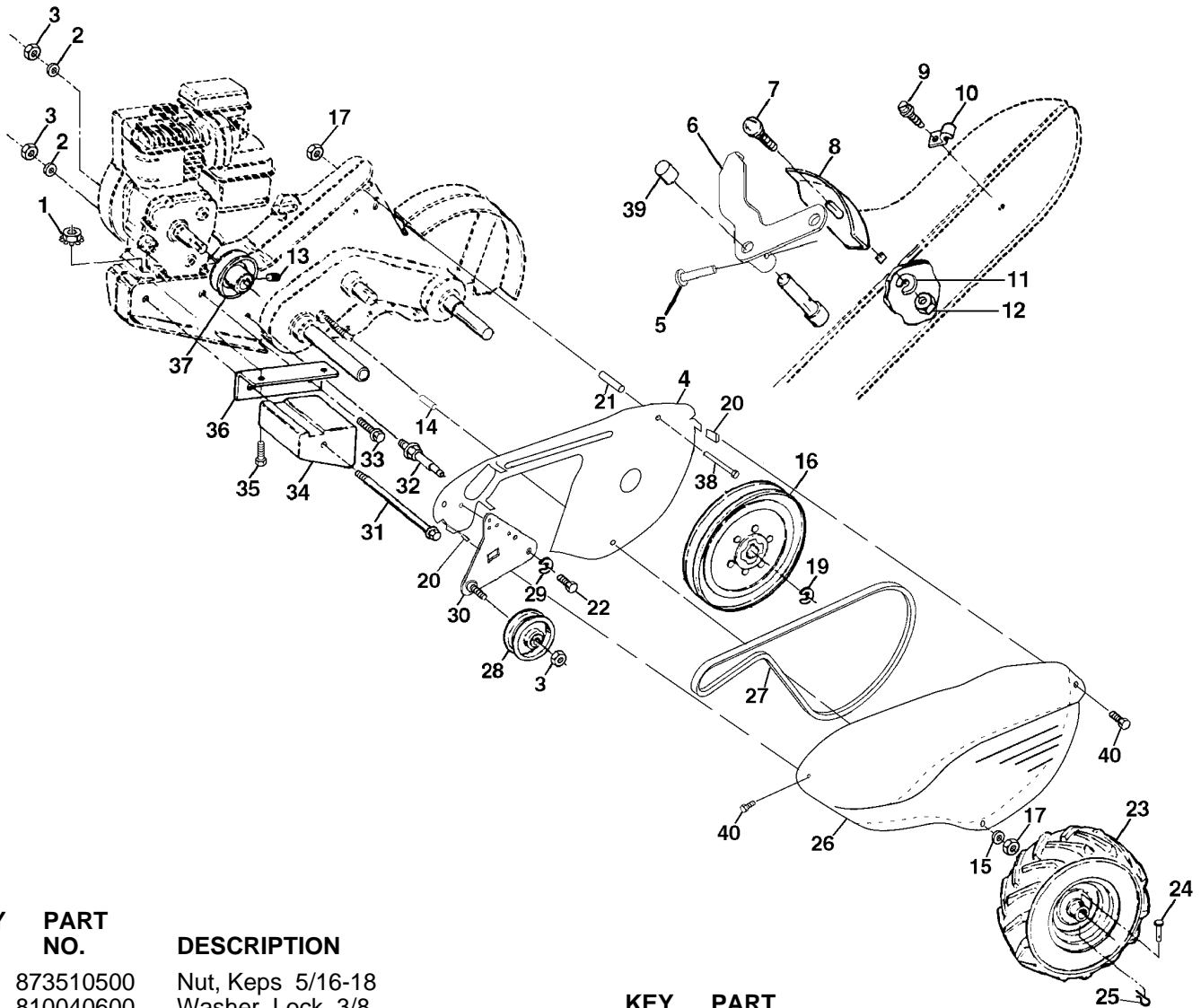
KEY NO.	PART NO.	DESCRIPTION
17	873220400	Nut, Hex 1/4-20
18	873731000	Nut, Keps #10-24 UNC
19	532159231	Cable, Clutch
20	532009484	Clip
21	532086777	Screw, Hex Washer Hd. Slotted #10-24 x 1/2
22	532102604	Grip, Bar, Control
23	532102744	Clamp, Bar, Control
24	532159228	Bar Assembly, Control
25	532127012	Control, Throttle
26	872140404	Bolt, Carriage 1/4-20 UNC x 1/2
27	532009266	Grip, Handle
31	532150696	Bolt, Pivot

NOTE: All component dimensions given in U.S. inches.
1 inch = 25.4 mm

REPAIR PARTS

TILLER - - MODEL NUMBER CRT51 (HECRT51F)

MAINFRAME, LEFT SIDE



KEY NO.	PART NO.	DESCRIPTION
1	873510500	Nut, Keps 5/16-18
2	810040600	Washer, Lock 3/8
3	873220600	Nut, Hex 3/8-16
4	532165710	Shield, Guard Belt
5	532154734	Screw, Shift Lever
6	532110111	Lever, Shift
7	872110404	Bolt, Carriage 1/4-20 x 1/2 Gr. 5
8	532008700	Plate, Shift Indicator
9	532086777	Screw, Hex, Washer Head, Slotted #10-24 x 1/2
10	532009484	Clip
11	810040400	Washer, Lock 1/4
12	873220400	Nut, Hex 1/4-20
13	823230506	Screw, Set, Hex 5/16-18 x 3/8
14	532156117	Spacer, Split 0.327 x 0.42 x 1.220
15	819111116	Washer 11/32 x 11/16 x 16 Ga.
16	532145102	Sheave, Transmission
17	873220500	Nut, Hex 5/16-18
19	812000028	Ring, Retainer
20	532165504	Nut, J Clip #8
21	532110652	Spacer, Split 0.327 x 0.42 x 2.09
22	874770508	Bolt, Fin Hex 5/16-24 x 1/2
23	532005015	Tire
	532124366	Rim
	532124718	Tire Valve

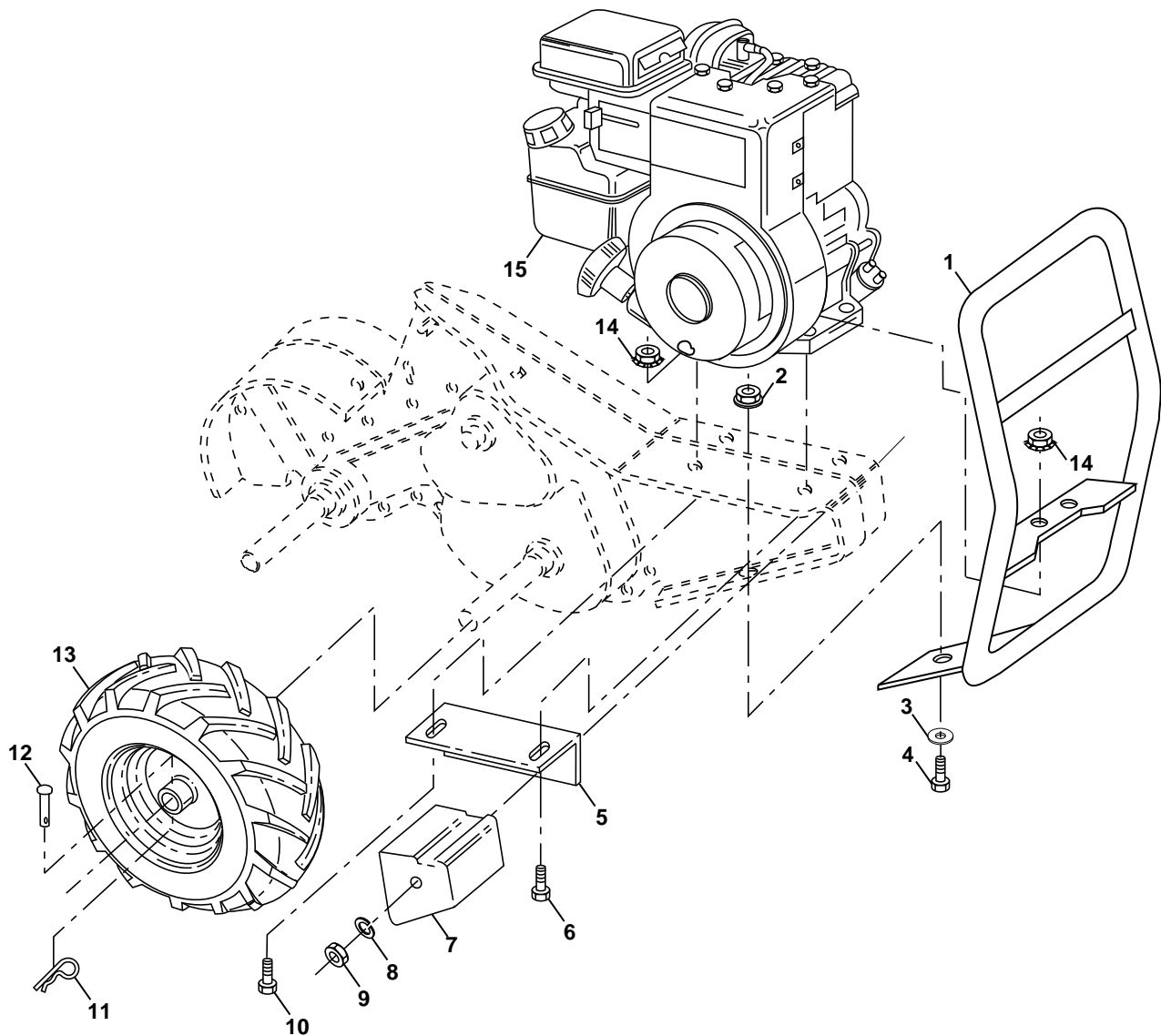
KEY NO.	PART NO.	DESCRIPTION
24	532126875	Rivet, Drilled
25	532124788	Clip, Hairpin
26	532166792	Guard, Belt
27	532132801	Belt, V
28	532104679	Pulley, Idler
29	812000032	Ring, Klip
30	532159229	Bracket, Idler
31	532102384	Bolt, Hex 5/16-16 x 12
32	532102141	Shaft, Idler Arm
33	874760616	Bolt, Hex 3/8-16 x 1
34	532102383	Counterweight, L. H.
35	874760532	Bolt, Hex 5/16-18 x 2
36	532102331	Bracket, Reinforcement, L. H.
37	532130812	Sheave, Engine
38	874760544	Bolt, Fin Hex 5/16-18 x 2-3/4
39	532140062	Cap Plunger
40	532165503	Screw Hex Washer Hd #8-18 x 1/2
43	532069180	Nut, Lock #10-24

NOTE: All component dimensions given in U.S. inches.
1 inch = 25.4 mm

REPAIR PARTS

TILLER - - MODEL NUMBER CRT51 (HECRT51F)

MAINFRAME, RIGHT SIDE



KEY NO.	PART NO.	DESCRIPTION
1	532166532	Bumper
2	873970500	Nut, Lock Hex Flange
3	819111116	Washer 11/32 x 11/16 x 16 Ga.
4	874760512	Bolt Hex Hd 5/16-18 x 3/4
5	532102332	Bracket, Reinforcement
6	874760532	Bolt, Hex 5/16-18 x 2
7	532102173	Counter Weight, R.H.
8	810040600	Washer, Lock 3/8
9	873220600	Nut, Hex 3/8-16
10	874760524	Bolt, Hex 5/16-18 x 1-1/2

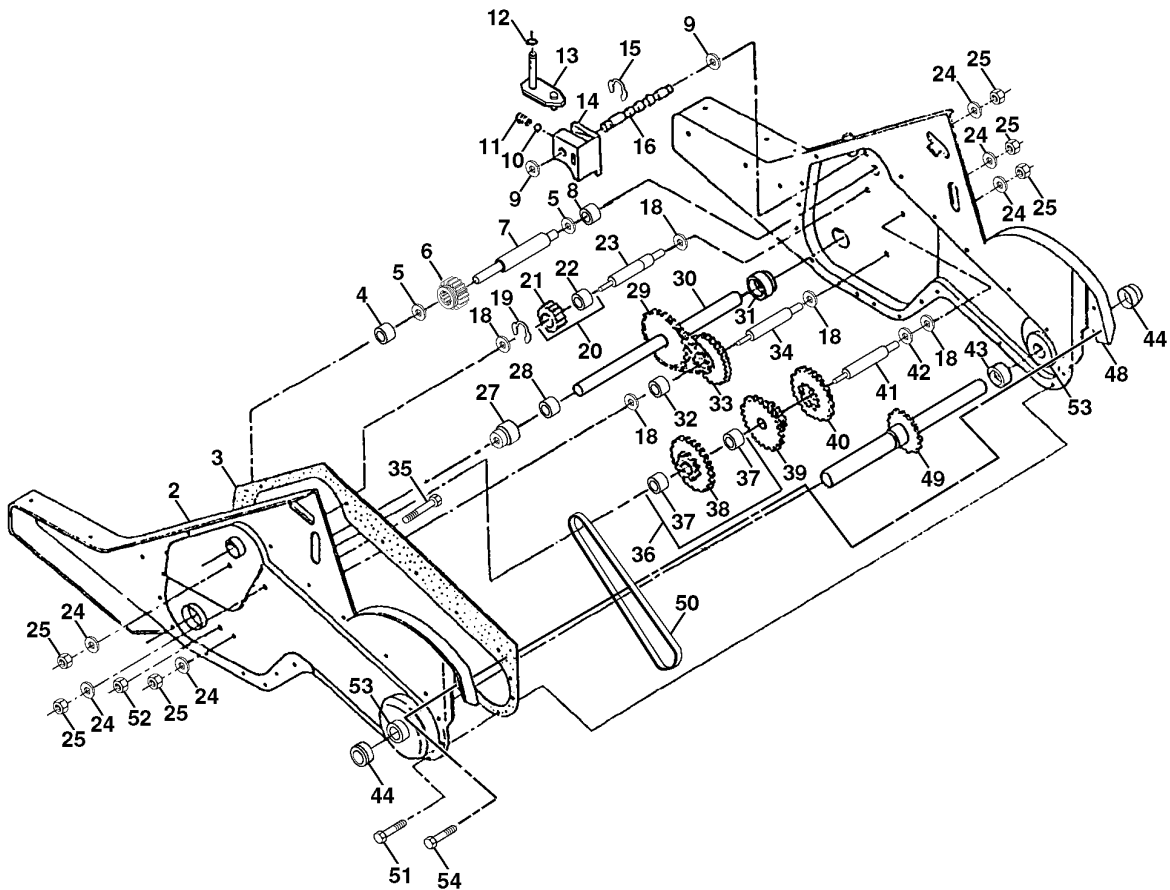
KEY NO.	PART NO.	DESCRIPTION
11	532124788	Clip, Hairpin
12	532126875	Rivet, Drilled
13	532005015	Tire
	532124366	Rim
	532124718	Tire Valve
14	873510500	Nut, Keps 5/16-18
15	-----	Engine, Briggs & Stratton Model No. 137202

NOTE: All component dimensions given in U.S.inches.
1 inch = 25.4 mm

REPAIR PARTS

TILLER -- MODEL NUMBER CRT51 (HECRT51F)

TRANSMISSION



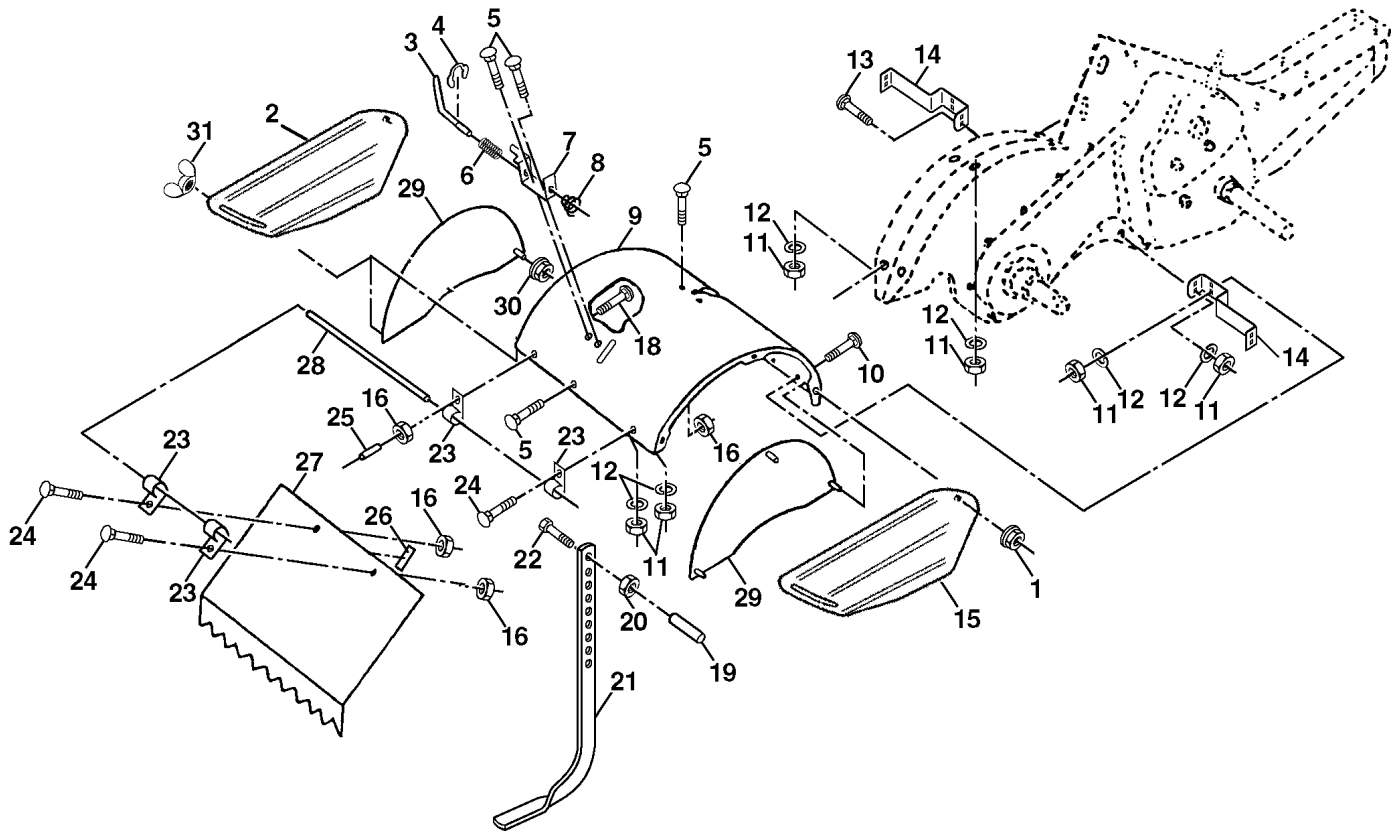
KEY NO.	PART NO.	DESCRIPTION	KEY NO.	PART NO.	DESCRIPTION
1	532165728	Transmission Assembly (Includes Key Nos. 2-53)	28	532106390	Spacer 0.765 x 1.125 x 1.23
2	532165729	Gearcase, L.H. w/Bearing (Includes Key No. 4)	29	532102134	Chain #35-50 Pitch
3	532161963	Gasket, Gearcase	30	532150737	Ground Shaft Assembly
4	532005020	Bearing, Needle	31	532143008	Bearing, Shaft, Ground Drive R.H.
5	532001370	Washer, Thrust 5/8 x 1.10 x 1/32	32	532106388	Spacer 0.70 x 1.00 x 1.150
6	532137335	Pinion, Input	33	532102121	Sprocket and Gear Assembly
7	532145101	Shaft, Input	34	532102112	Shaft, Reduction (2nd)
8	532124792	Bearing, Needle	35	532102101	Screw, Whiz, Lock 5/16-18 x 3-1/2
9	532154467	Washer, Seal	36	532154355	Sprocket Assembly w/Bearing (Includes Key Nos. 37 and 38)
10	532124697	Ball, Steel	37	532124791	Bearing, Needle
11	532100371	Spring, Shift, Fork	38	532154356	Sprocket, Tine
12	532106160	O-Ring	39	532105345	Gear, Cluster, Red 1st & 2nd
13	532142145	Bracket, Asm. Shift CRT	40	532105346	Gear, Reverse
14	532008353	Fork, Shift	41	532008358	Shaft, Reduction (1st)
15	812000039	Ring, Klip	42	532004220	Washer, Thrust
16	532154466	Shaft, Shift	43	532106146	Spacer 1.01 x 1.75 x 0.760
18	532004358	Washer	44	532155236	Seal, Asm Oil
19	812000040	Ring, Klip	48	532165732	Gearcase, R.H. w/Bearing (Includes Key No. 8)
20	532102114	Gear, Assembly, Reverse Idler (Includes Key Nos. 21 and 22)	49	532132688	Shaft, Tine
21	532102115	Gear, Reverse Idler	50	532106147	Chain, Roller #50-50 Pitch
22	532006803	Bearing, Needle	51	817720408	Screw, Thd Cut 1/4-20 x 1/2
23	532102111	Shaft, Reverse Idler	52	873220500	Nut, Hex 5/16-18
24	810040700	Washer, Lock 7/16	53	532165140	Kit Bearing
25	873610700	Nut, Hex 7/16-20	54	817720412	Screw, Thd Cut 1/4-20 x 3/4
27	532143009	Bearing, Shaft, Ground Drive L.H.	--	532006066	Grease, Plastilube #1

NOTE: All component dimensions given in U.S. inches.
1 inch = 25.4 mm

REPAIR PARTS

TILLER - - MODEL NUMBER CRT51 (HECRT51F)

TINE SHIELD



KEY NO.	PART NO.	DESCRIPTION
1	898000129	Nut, Flange 5/16-18
2	532162952	Shield, Side, Outer L. H.
3	532008393	Pin, Stake, Depth
4	812000036	Ring, Klip
5	872140506	Bolt, Carriage 5/16-18 x 3/4 Gr 5
6	532008394	Spring
7	532008392	Bracket, Latch
8	532109230	Spring, Depth Stake
9	532142292	Shield, Tine
10	872140508	Bolt, Carriage 5/16-18 x 1
11	873220500	Nut, Hex 5/16-18
12	810040500	Washer, Lock 5/16
13	872110510	Bolt, Carriage 5/16-18 x 1-1/4
14	532124311	Bracket, Shield Tine
15	532162953	Shield, Side, Outer R.H.

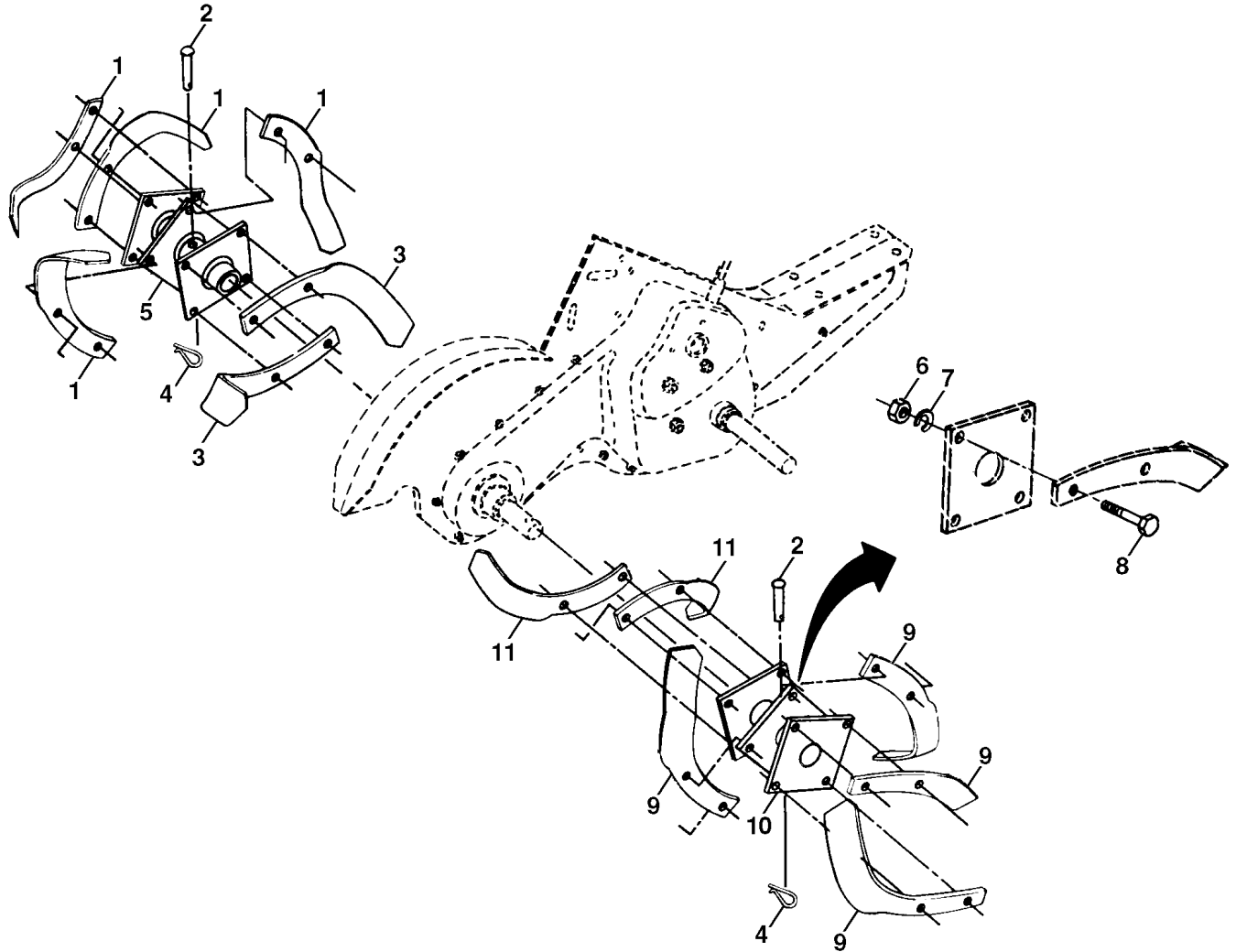
KEY NO.	PART NO.	DESCRIPTION
16	873510400	Nut, Keps Hex 1/4-20
18	872040410	Bolt, Carriage 1/4-20 x 1-1/4 Gr. 5
19	532102701	Grip
20	873220600	Nut, Hex 3/8-16
21	532102156	Stake, Depth
22	874930632	Bolt, Hex 3/8-16 x 2
23	532004440	Hinge
24	872140404	Bolt, Carriage 1/4-20 x 1/2 Gr. 5
25	532124717	Cap, Vinyl
26	532109227	Pad, Idler
27	532125016	Shield, Leveling
28	532120588	Pin, Hinge
29	532142293	Shield, Side
30	873970500	Nut, Lock Hx Flange

NOTE: All component dimensions given in U.S. inches.
1 inch = 25.4 mm

REPAIR PARTS

TILLER - - MODEL NUMBER CRT51 (HECRT51F)

TINE ASSEMBLY



KEY NO.	PART NO.	DESCRIPTION
1	532004459	Tine, Outer, L.H.
2	532132673	Clevis Pin
3	532006554	Tine, Inner, L.H.
4	532163552	Clip, Hairpin
5	532132727	Assembly, Hub and Plate, L.H.
6	873610600	Nut, Hex 3/8-24
7	810040600	Washer, Lock 3/8

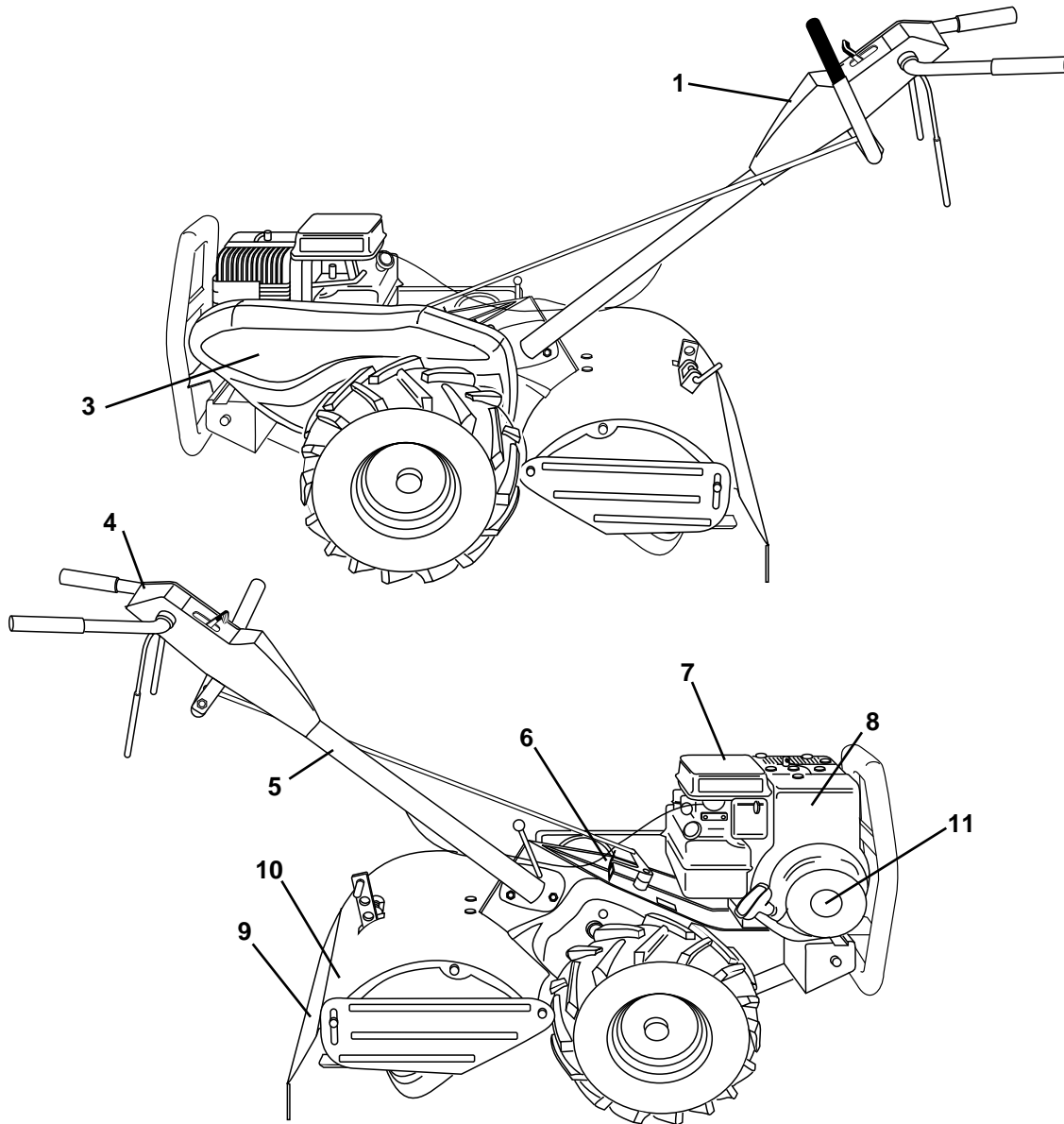
KEY NO.	PART NO.	DESCRIPTION
8	874610616	Bolt, Hex 3/8-24 x 1
9	532004460	Tine, Outer, R.H.
10	532132728	Assembly, Hub and Plate, R.H.
11	532006555	Tine, Inner, R.H.

NOTE: All component dimensions given in U.S. inches.
1 inch = 25.4 mm

REPAIR PARTS

TILLER - - MODEL NUMBER CRT51 (HECRT51F)

DECALS



KEY NO.	PART NO.	DESCRIPTION
1	532155449	Decal, Logo
3	532166598	Decal, Logo
4	532155856	Decal, Instruction, Tilling
5	532159877	Decal, Hand Placement
6	532102180	Decal, Shift Indicator
7	532110612	Decal, Caution
8	532165266	Decal, Briggs & Stratton
9	532156129	Decal, Warning, Rotating Tines
10	532145437	Decal, Europe Stand CE
11	532165278	Decal, 5 HP
--	532166615	Manual, Operator's (Euro.)
--	532166616	Manual, Operator's (Scan.)