

# CTH 180

**Spare parts**

**Ersatzteile**

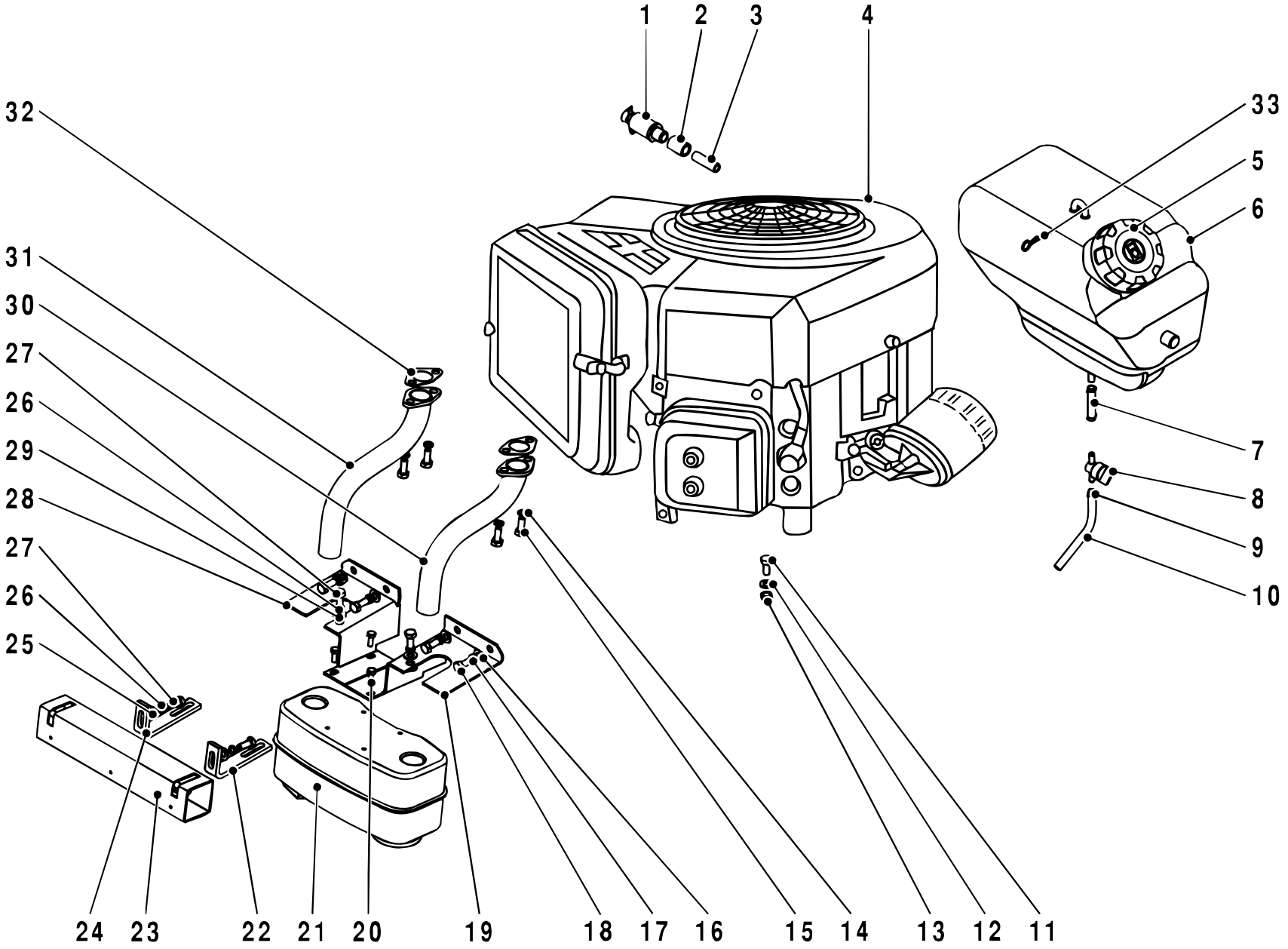
**Pièces détachées**

**Reserve onderdelen**

**Repuestos**

**Reservdelar**

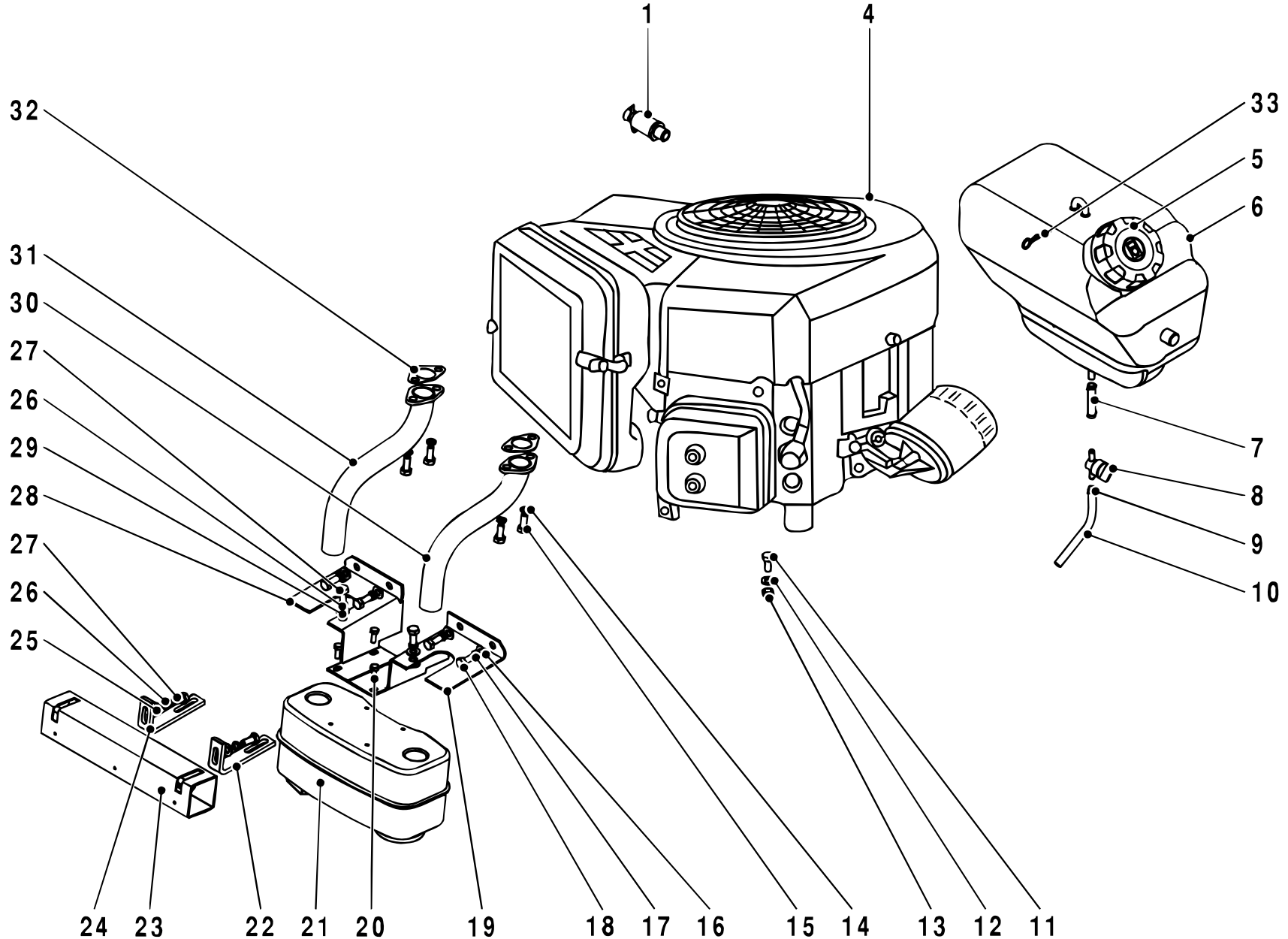
**CTH 180 Engine Assembly 18 HP VANGUARD**



# CTH 180 Engine Assembly 18 HP VANGUARD

POS.	PART NO.	DESCRIPTION
1	5310054-04	Oil drain valve 7409
2	5310061-01	"Oil drain coupler 3/8" NPT x 4"
3	5310061-02	"Oil drain fitting 3/8" NPT x 4"
4		Engine, VANGUARD V-TWIN 18 HP- B&S
5	5310054-12	Fuel tank cap
6	5310059-04	Fuel tank
7	5310059-02	Fuel line 70mm
8	5310059-01	Fuel tank valve
9	5310054-06	Fule line clamp UM 5008
10	5310059-03	Fuel line 210mm
11	5310057-85	Hex screw M8x35 DIN 933 8.8
12	7351164-01	Spring washer 8 DIN 127B
13	7322618-01	Hex nut M8 DIN 934 Cl.8
14	7351164-01	Spring washer 8 DIN 127 B
15	7252451-61	Hex screw M8 x 20 DIN 933 8.8
16	5310058-24	Flat washer 8.4 DIN 125 A
17	7351164-01	Spring washer 8 DIN 127 B
18	7252451-61	Hex screw M8 x 20 DIN 933 8.8
19	5310061-03	Muffler heat guard, left
20	5310061-85	"Tapite thread form screw 1/4"-20-1/2"
21	5310061-04	Muffler 18HP 24500N
22	5310061-05	Hood bracket, left
23	5310059-91	Hood support
24	5310061-06	Hood bracket, right
25	5310058-24	Flat washer 8.4 DIN 125 A
26	7351164-01	Spring washer 8 DIN 127 B
27	5310059-41	Hex screw M8 x 25 DIN 993 8.8
28	5310061-07	Muffler heat guard, right
29	5310056-74	Flat washer 8.4 DIN 7349
30	5310061-08	Exhaust tube, left
31	5310061-09	Exhaust tube, right
33	5310054-11	Hair pin clip

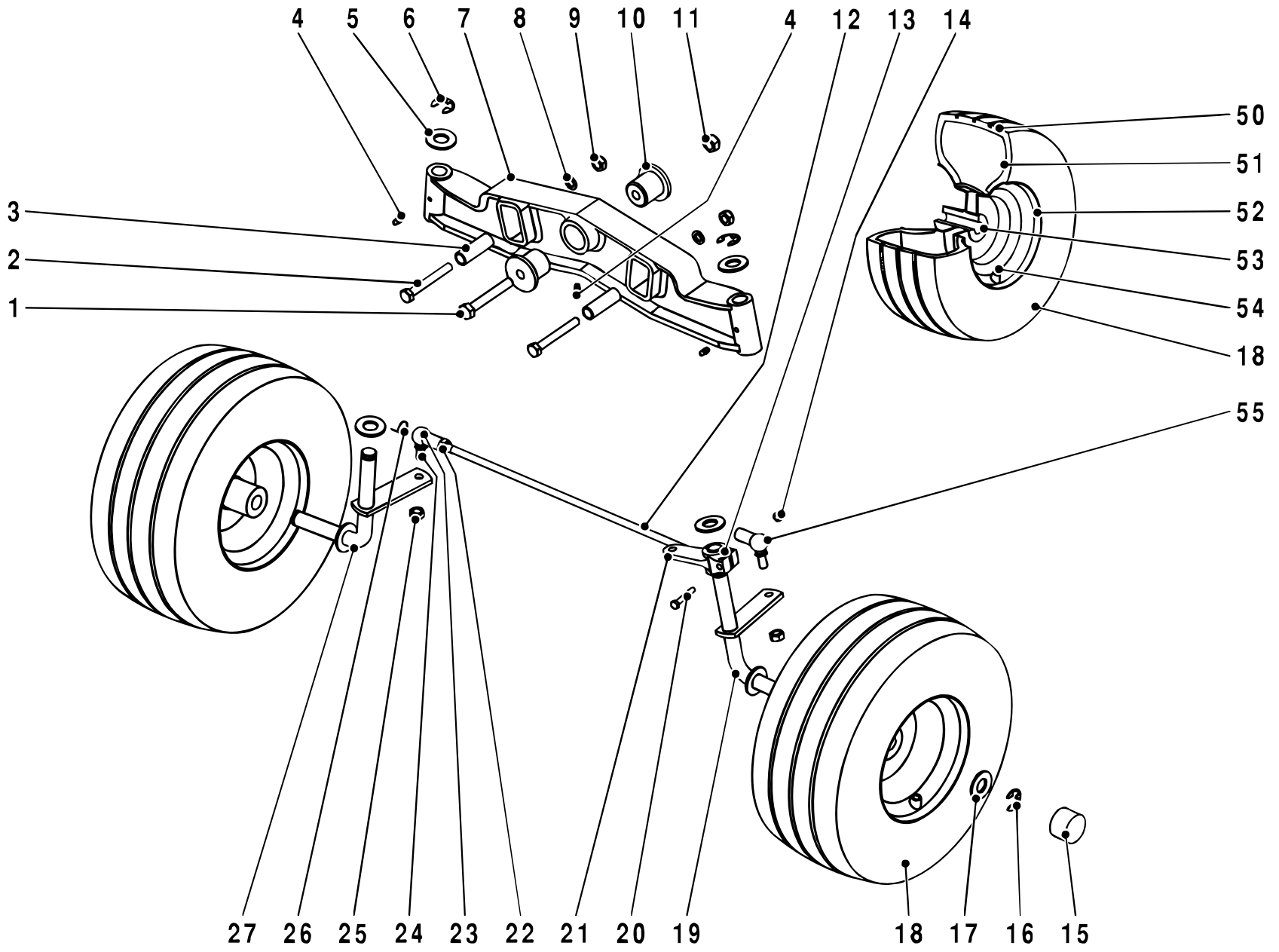
**CTH 180 Engine Assembly 18 HP INTEK**



# CTH 180 Engine Assembly 18 HP INTEK

POS.	PART NO.	DESCRIPTION
1	5310054-04	Oil drain valve 7409
2	5310061-01	"Oil drain coupler 3/8" NPT x 4"
3	5310061-02	"Oil drain fitting 3/8" NPT x 4"
4		Engine ,INTEK ,V-TWIN 18 HP
5	5310054-12	Fuel tank cap
6	5310059-04	Fuel tank
7	5310059-02	Fuel line 70mm
8	5310059-01	Fuel tank valve
9	5310054-06	Fule line clamp UM 5008
10	5310059-03	Fuel line 210mm
11	5310057-85	Hex screw M8x35 DIN 933 8.8
12	7351164-01	Spring washer 8 DIN 127B
13	7322618-01	Hex nut M8 DIN 934 CI.8
14	7351164-01	Spring washer 8 DIN 127 B
15	5310065-38	Exhaust screw 5/16 - 18NC 3/4 LG
16	5310058-24	Flat washer 8.4 DIN 125 A
17	7351164-01	Spring washer 8 DIN 127 B
18	7252451-61	Hex screw M8 x 20 DIN 933 8.8
19	5310061-03	Muffler heat guard, left
20	5310061-85	"Taptite thread form screw 1/4"-20 - 1/2"
21	5310061-04	Muffler 18HP 24500N
22	5310061-05	Hood bracket, left
23	5310059-91	Hood support
24	5310061-06	Hood bracket, right
25	5310058-24	Flat washer 8.4 DIN 125 A
26	7351164-01	Spring washer 8 DIN 127 B
27	5310059-41	Hex screw M8 x 25 DIN 993 8.8
28	5310061-07	Muffler heat guard, right
29	5310056-74	Flat washer 8.4 DIN 7349
30	5310065-35	Exhaust tube, left - INTE
31	5310065-36	Exhaust tube, right - INTEK
32	5310065-37	Exhaust gasket 18 HP - INTEK
33	5310054-11	Hair pin clip

**CTH 180 Front axle - steering**

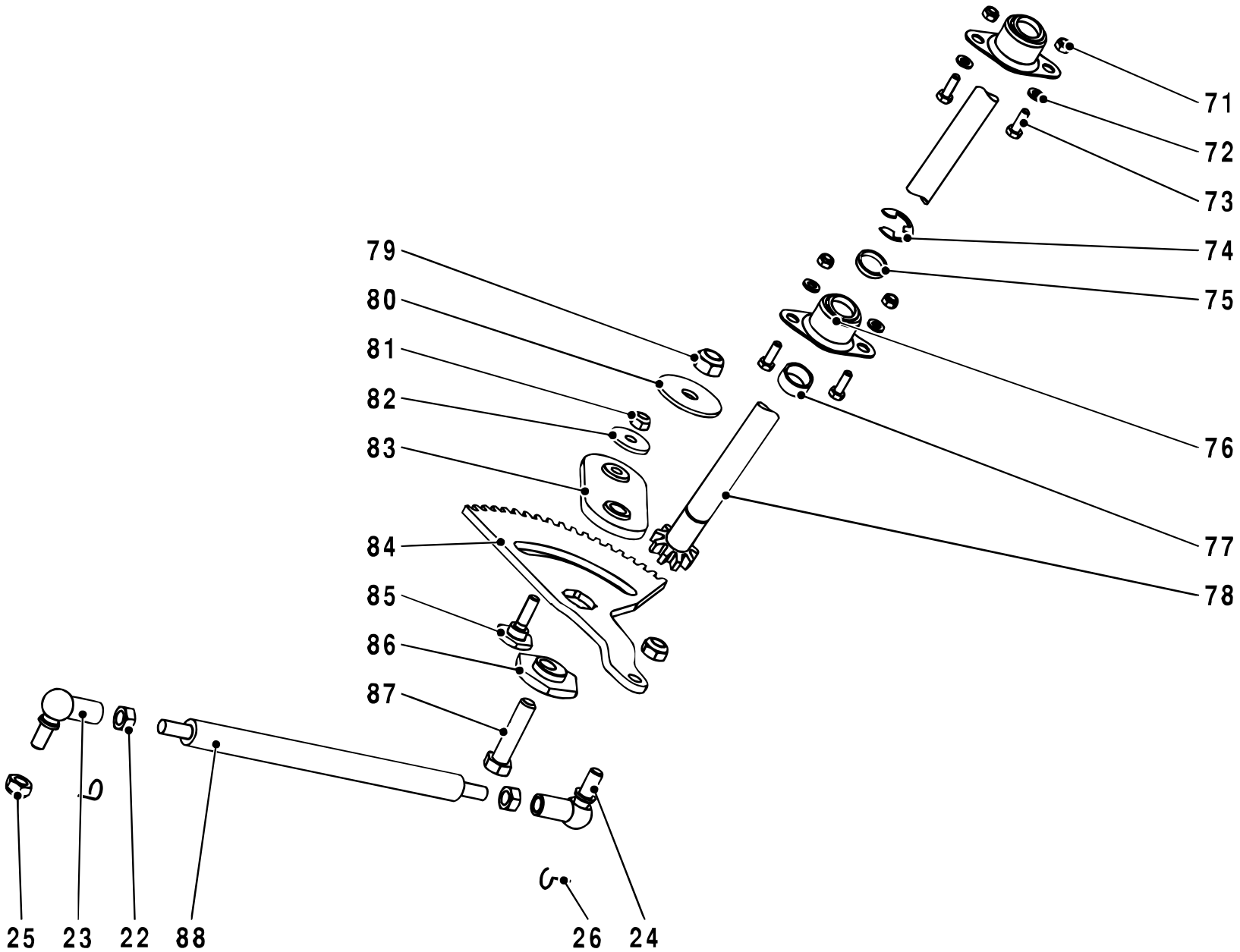


# CTH 180 Front axle - steering

## Section 2

POS.	PART NO.	DESCRIPTION
1	7252550-71	Hex screw M12x90 DIN 931 8.8
2	5310059-05	Hex Screw M10x80 DIN 931 8.8
3	5310061-10	Spacer
4	5310058-18	Grease fitting MK 6x1
5	5310056-66	Flat washer 19 DIN 125 A
6	5310059-09	Spring clip 15 DIN 6799
7	5310057-08	Front axle
8	5310057-98	Flat washer 10.5 DIN 125 A
9	7322520-01	Self-locking nut M10 DIN 985 Cl.8
10	5310061-87	Front axle bushing
11	7322122-01	Self-Locking nut M12 DIN 982 Cl.8
12	5310054-22	Tie rod front axle
13	5310054-30	Square key 5x7.5 DIN 6888
14	7322616-01	Self-locking nut M6 DIN 985 Cl.8
15	5310062-24	Hub cap 1-1/2 Sc
16	5310059-09	Spring Clip 15 DIN 6799
17	5310054-26	Washer
18	5310057-88	Front tyre wheel assy. 16x6.5-8
19	5310054-24	Spindle, left
20	7252379-71	Hex screw M6x45 DIN 931 8.8
21	5310054-29	Steering spindle lever
22	5310057-99	Hex nut M10 DIN 934 Cl.8
23	5310054-21	Ball angle housihg 16 DIN 71805 B
24	5310058-09	Ball stud 16 DIN 71803 C
25	5310058-13	Self-locking nut M10 tensilock Cl.8
26	5310058-11	Locking stirrups 16 DIN 71805 S
27	5310054-20	Spindle, right
50	5310059-33	Tyre 16 x 6.50 - 8
51	5310059-34	Tube 16x6.50-8
52	5310059-35	Wheel 16x6.50-8
53	5310059-13	Front wheel bushing
54	5310059-14	Tyre valve compl.
55	5310062-52	Ball angle joint 16 - complete

**CTH 180 Front axle - steering**



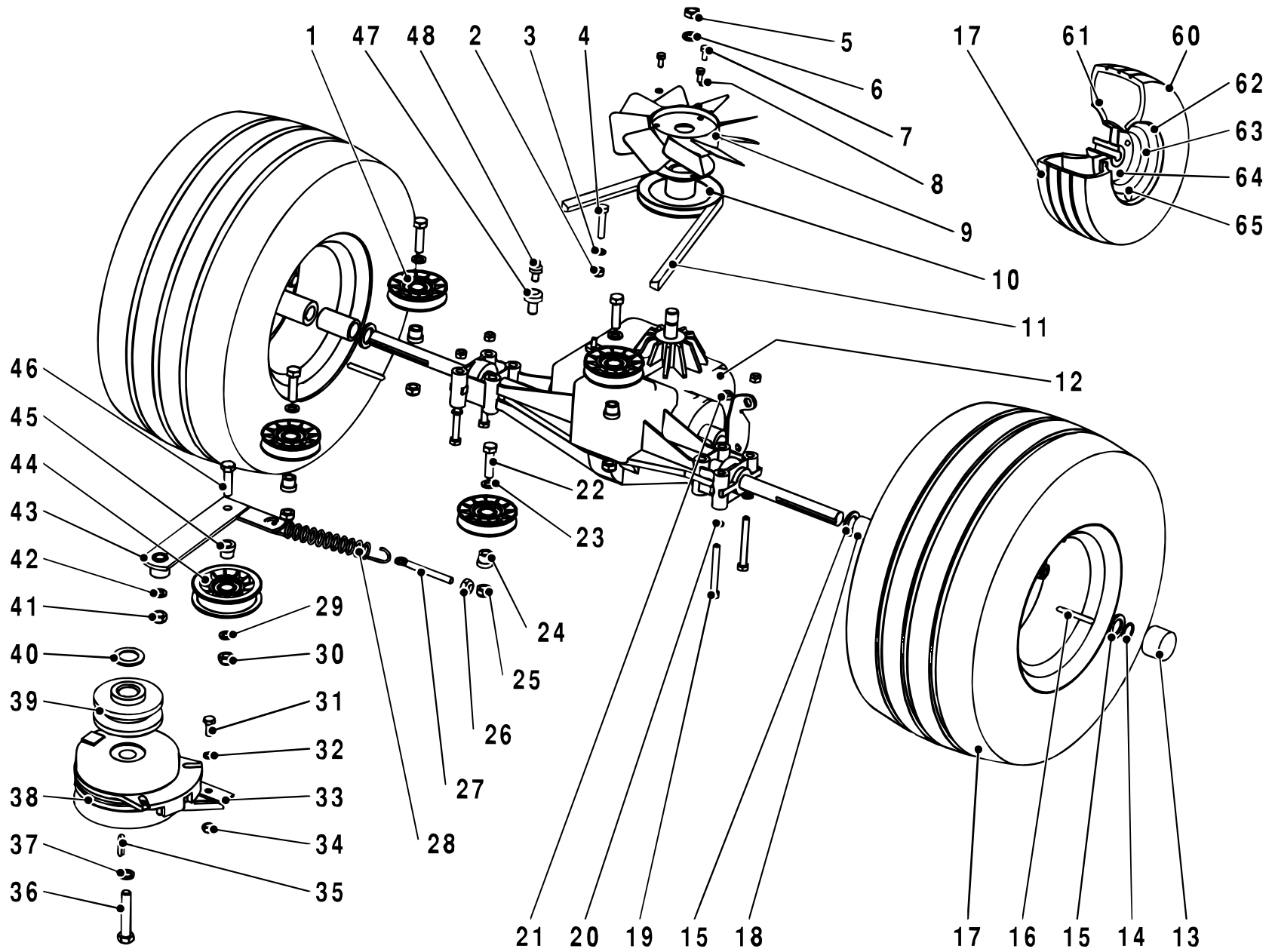


# CTH 180 Front axle - steering

## Section 2

<b>POS.</b>	<b>PART NO.</b>	<b>DESCRIPTION</b>
22	5310057-99	Hex nut M10 DIN 934 Cl.8
23	5310054-21	Ball angle housihg 16 DIN 71805 B
24	5310058-09	Ball stud 16 DIN 71803 C
25	5310058-13	Self-locking nut M10 tensilock Cl.8
26	5310058-11	Locking stirrups 16 DIN 71805 S
71	5310057-67	Self-locking nut M8 DIN 985 Cl.8
72	5310058-24	Flat washer 8.4 DIN 125 A
73	7252451-61	Hex screw M8x20 DIN 933 8.8
74	5310059-09	Spring clip C15 DIN 6799
75	5310061-88	Spacer, upper
76	5310061-89	Spherical bearing FJB 12
77	5310061-90	Spacer, lower
78	5310061-12	Steering shaft pinioin gear
79	7322122-01	Self-locking nut M12 DIN 982 Cl.8
80	5310061-91	Eccentric bolt washer 12.4x50x3
81	5310057-67	Self-locking Nut M8 DIN 982 Cl.8
82	5310056-74	Flat washer 8.4 DIN 9021 B
83	5310061-13	Steering plate
84	5310057-12	Sector gear
85	5310061-14	Shoulder bolt
86	5310057-10	Eccentric
87	7252541-71	Hex screw M12x45 DIN 931 8.8
88	5310054-39	Drag link

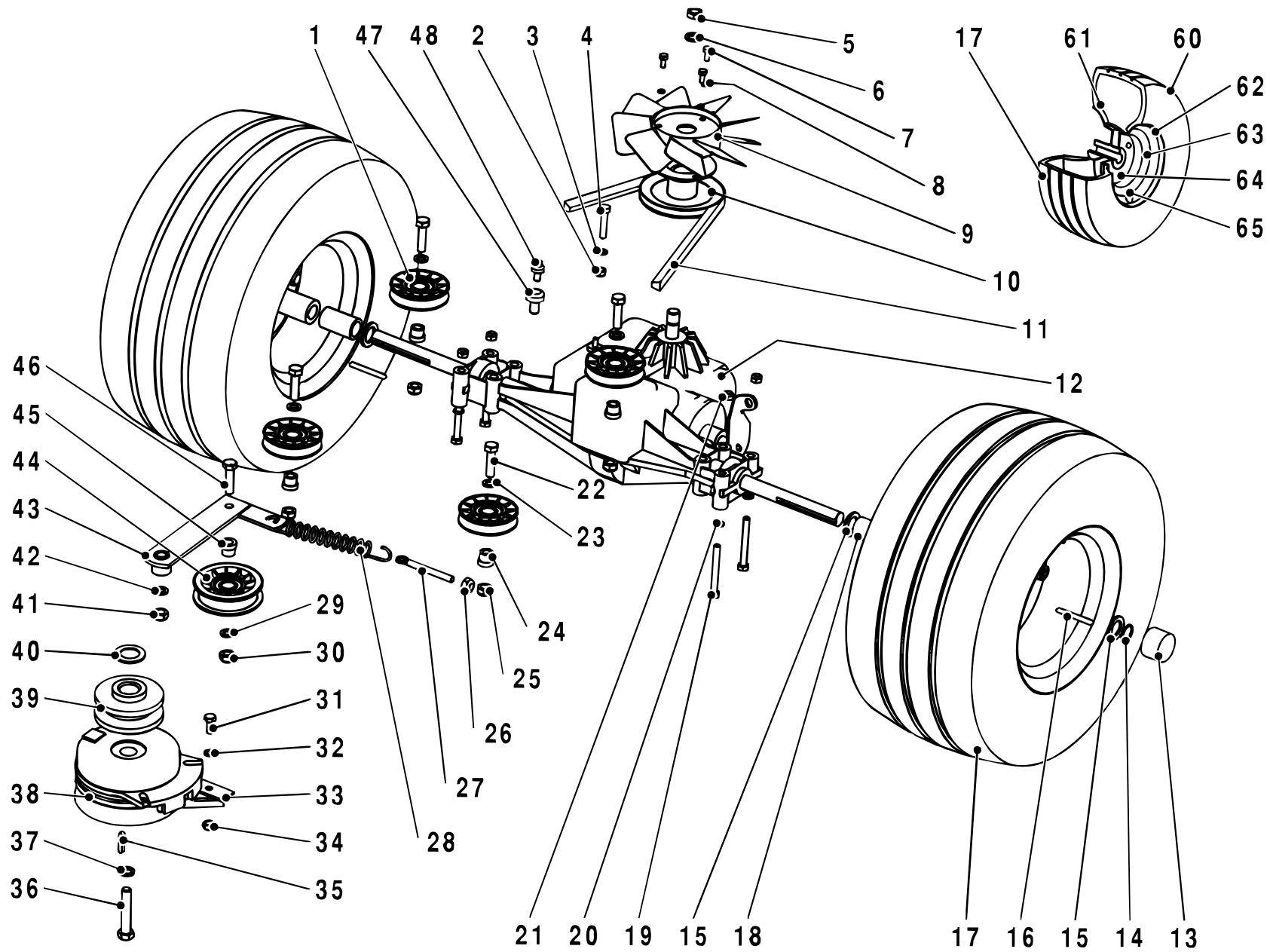
CTH 180 Transmission drive



# CTH 180 Transmission drive

## Section 3

POS.	PART NO.	DESCRIPTION
1	5310054-48	Idler pulley V3000-3316-steel
2	5310057-90	Self locking nut M8 DIN 985 Cl.8
3	5310058-24	Flat washer 8.4 DIN 125 A
4	5310057-90	Hex screw M8 x 40 DIN 931 8.8
5	5310057-97	Nut 1/2-20 UNF
6	5310057-96	Serrated lock washer 13 DIN 6798 A
7	5310058-58	Hex screw M6 x 14 DIN 933 8.8
8	5310057-94	Spring washer 6 DIN 127 B
9	5310057-93	Fan 50307
10	5310057-92	"Transmission pulley 4""
11	5310054-78	V-Belt SPA 12.5 x 2707LW Mitsuboshi
12	5310059-94	Transmission HYDRO_GEAR 328-0650
13	5310062-24	Hub cap SC 1-1/2 - black
14	5310059-09	Spring clip 15 DIN 6799
15	5310054-26	Washer
16	5310054-52	Square key 3/16x3/16x2.5
17	5310057-89	Rear tyre - wheel assy. 20x10.00-8
18	5310061-92	Spacer, axle
19	7252465-71	Hex screw M8x80 DIN 931 8.8
20	5310058-24	Flat washer 8.4 DIN 125 A
21	5310057-67	Self locking nut M8 DIN 985 Cl.8
22	7255499-55	Hex screw M10 x 40 DIN 931 8.8
23	7341172-01	Flat washer 10.5 DIN 125 A
24	5310054-47	Idler bushing
25	7322520-01	Self locking nut M10 DIN 985 Cl.8
26	7322520-01	Self locking nut M10 DIN 985 Cl.8
27	5310055-32	Eye bolt M10x50x14 - Zc
28	5310058-62	Spring
29	7341172-01	Flat washer 10.5 DIN 125 A
30	7322520-01	Self locking nut M10 DIN 985 Cl.8
31	7252451-61	Hex screw M8x20 DIN 933 8.8
32	5310058-24	Flat washer 8.4 DIN 125 A
33	5310054-44	Retainer
34	5310057-67	Self locking nut M8 DIN 985 Cl.8
35	5310061-15	Square key 1/4x1/4x1-1/8
36	5310061-16	Clutch bolt 7/16-20x2-1/2 LG
37	7341178-01	Spring washer 7/16
38	5310054-41	El. magnet clutch Warner 5217-9
39	5310054-40	Engine pulley
40	5310061-93	Engine pulley spacer
41	5310057-67	Self locking nut M8 DIN 985 Cl.8
42	5310056-74	Flat washer 8.4 DIN 9021 B
43	5310061-94	Idler arm
44	5310054-46	Idler pulley F 3000-0750
45	5310054-47	Idler bushing
46	7255499-55	Hex screw M10 x 40 DIN 931 8.8
47	5310065-30	Ventilsäte
48	5310065-29	Ventil

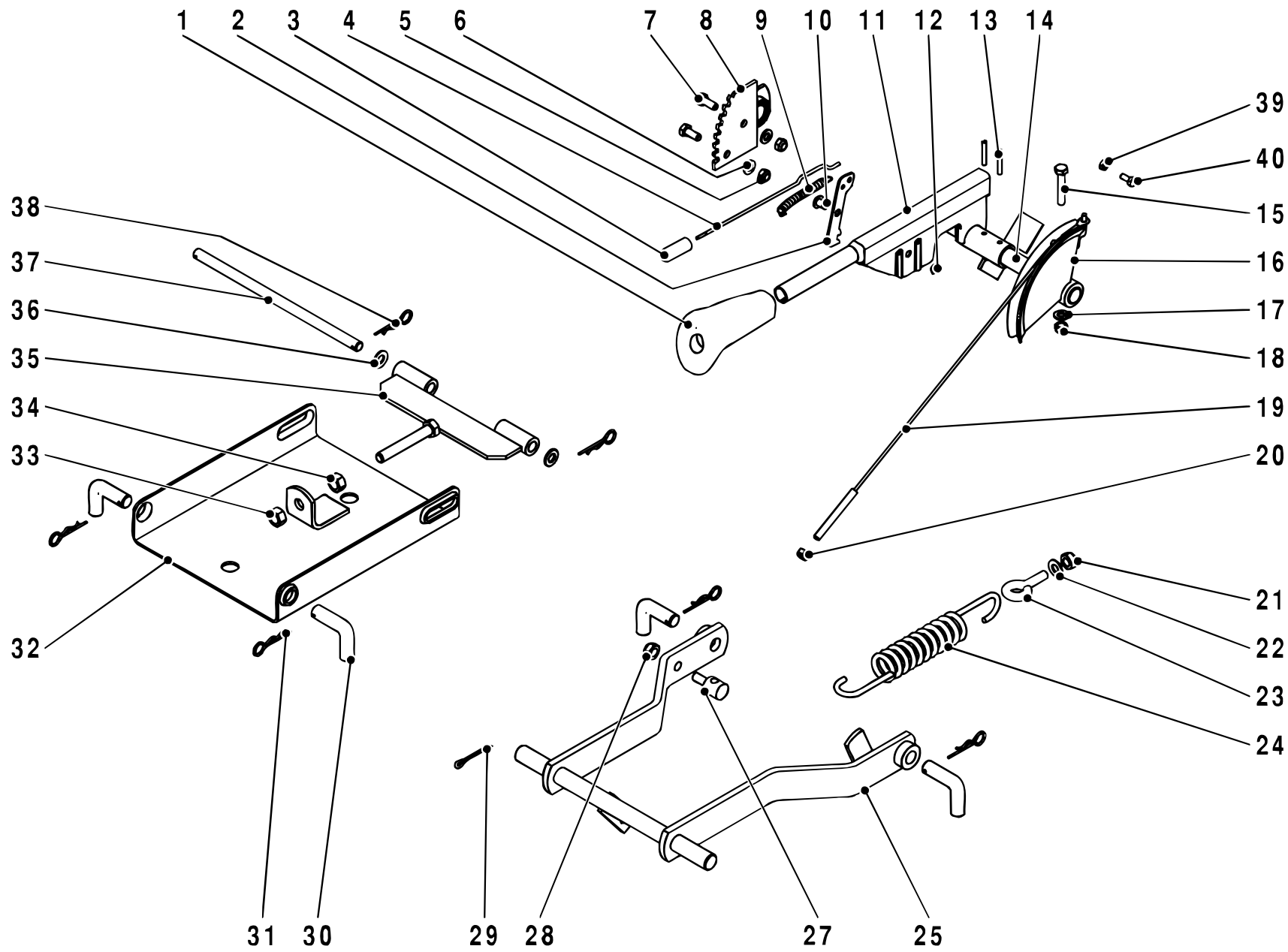


CTH 180 Transmission drive

## CTH 180 Transmission drive

### Section 3

<b>POS.</b>	<b>PART NO.</b>	<b>DESCRIPTION</b>
60	5321220-82	Tyre 20x10.00-8
61	5310059-37	Tube 20x10.00-8
62	5310061-96	Rim 20x10.00-8
63	5310062-64	Hub wheel
64	5310061-98	Wheel nut
65	5310059-14	Tyre valve complete

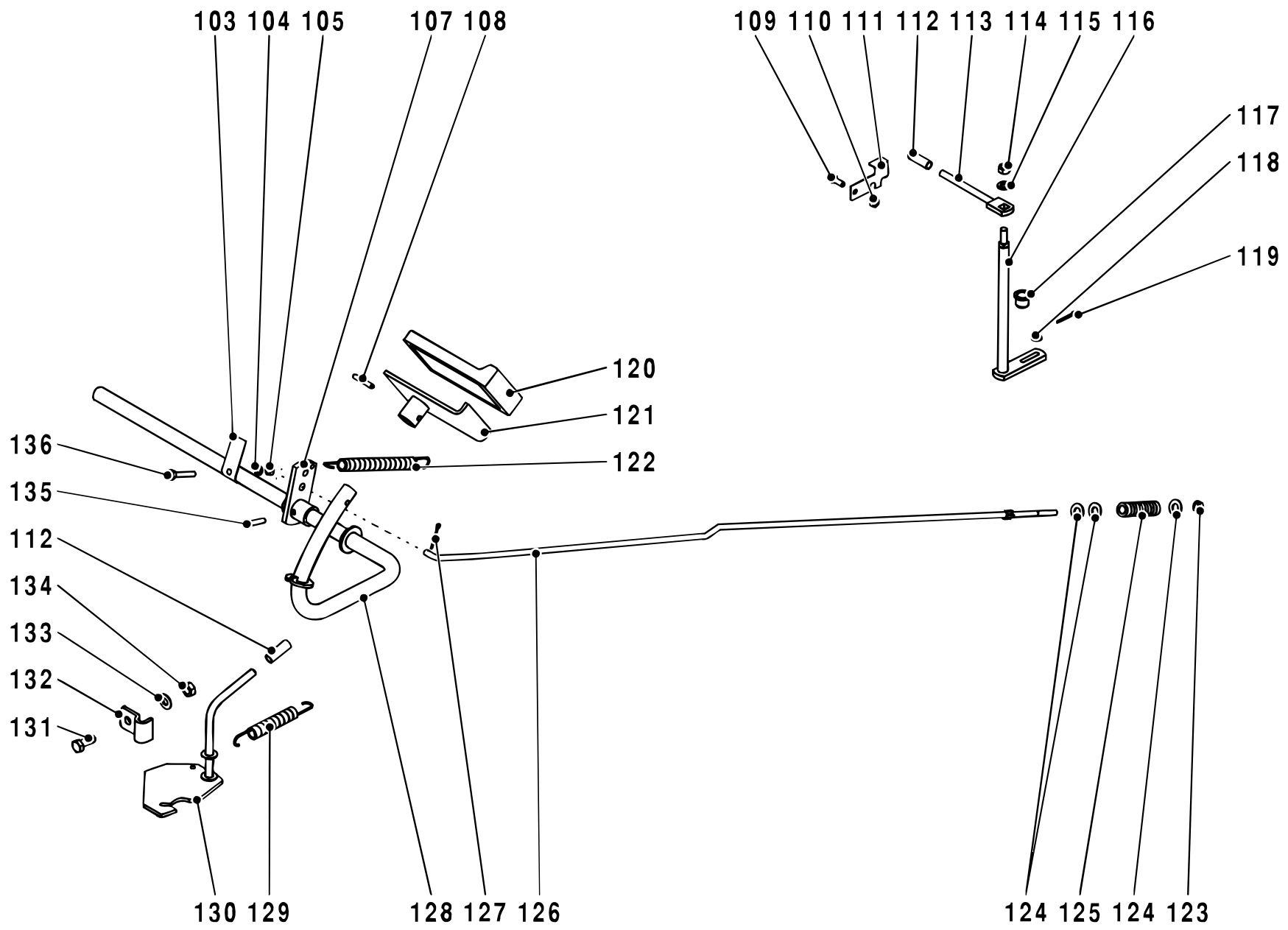


CTH 180 Operation (mower lift)

# CTH 180 Operation (mower lift)

## Section 4

POS.	PART NO.	DESCRIPTION
1	5310054-80	Handle grip - grey
2	5310054-84	Ratchet pivot plate
3	5310061-99	Plunger button - black
4	5310054-81	Connection rod
5	5310057-67	Self-locking nut M8 DIN 985 Cl.8
6	7341163-01	Flat washer 8 BN 739
7	7252451-61	Hex screw M8x20 DIN 933 8.8
8	5310061-18	Gear segment
9	5310054-85	Spring
10	5310061-19	Arm lever pin
11	5310057-16	Height adjustment arm lever
12	5310062-01	Clip for pin 6 DIN 6799
13	7214313-01	Spring pin 5x30 DIN 7346
14	5310061-20	Height adjuster shaft
15	7252460-71	Hex screw M8x45 DIN 931 10.9
16	5310062-58	Segment-cable guide
17	5310058-24	Flat washer 8.4 DIN 125 A
18	5310057-67	Self-locking nut M8 DIN 985 Cl.10
19	5310062-59	Height adjustment cable assy.
20	8736805-00	Self-locking nut 5/16-18
21	7322120-01	Self-locking nut M10 DIN 982 Cl.8
22	7341172-01	Flat washer 10.5 DIN 125 A
23	5310055-32	Eye bolt M10x50x14 - Zc
24	5310055-23	Lift spring
25	5310054-93	Pivot arm assy
27	5310054-92	Lifting pin
28	7322520-01	Self-locking nut M10 DIN 982 Cl.8
29	5310056-68	Cotter pin 5x50 DIN 94
30	5310057-17	Bent pin
31	5310062-03	Hair pin 214 (CP85H)
32	5310062-04	Front suspension mower deck
33	7322122-01	Self-locking nut M12 DIN 982 Cl.8
34	5310057-04	Hex nut M12 DIN 934 Cl.8
35	5310062-05	Front holder
36	5310057-55	Flat washer 13 DIN 125 A
37	5310055-46	Pin
38	5310054-94	Hair pin clip, H.D.
39	7322522-01	Self locking nut M5 DIN 985 Cl.8
40	7252331-71	Hex screw M5x20 DIN 933 8.8



**CTH 180 Operation/Brake**

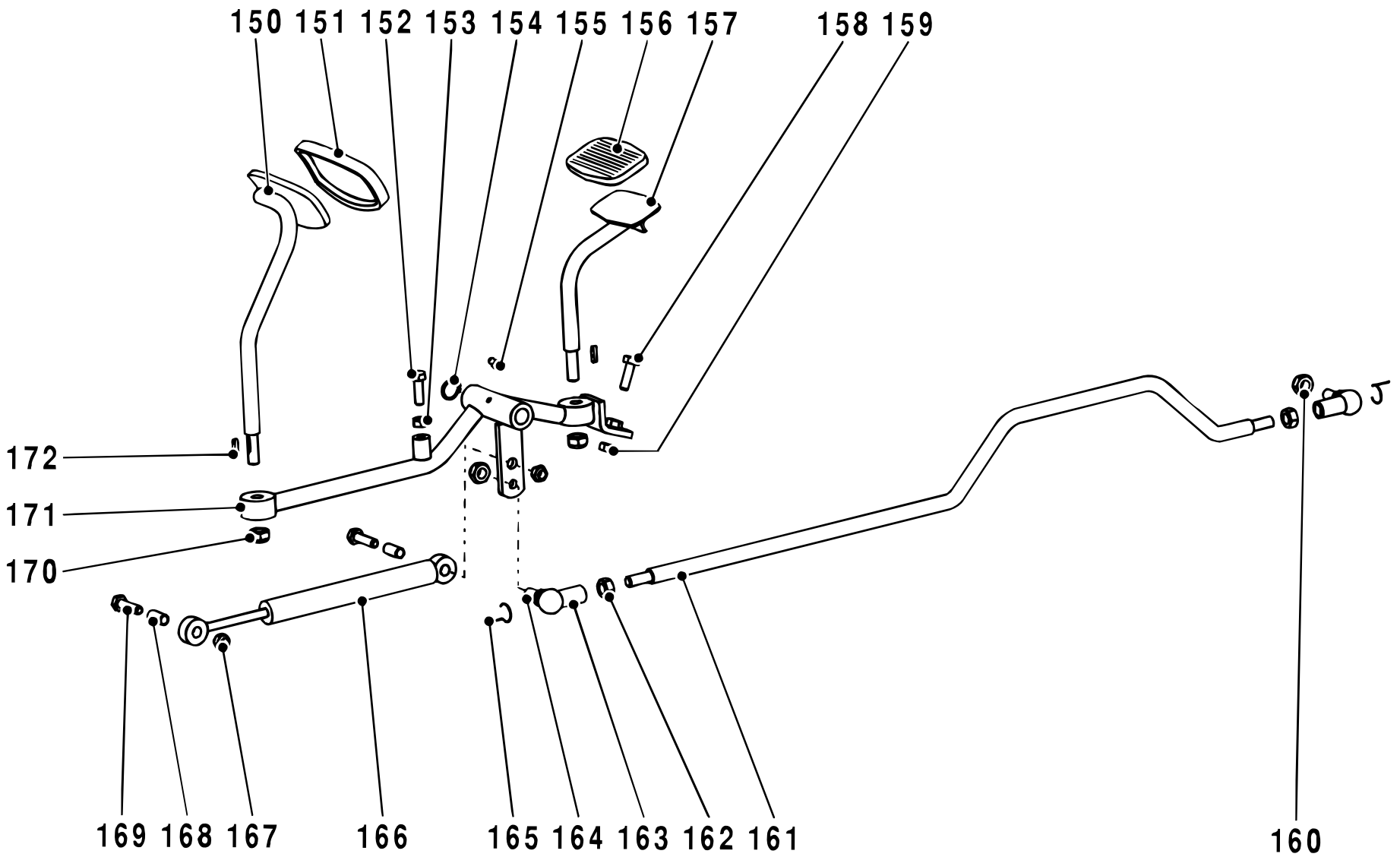


# CTH 180 Operation/Brake

## Section 4

<b>POS.</b>	<b>PART NO.</b>	<b>DESCRIPTION</b>
103	5310061-22	Spring lever
104	7341136-01	Flat washer 4.3 DIN 125 A
105	5310057-60	Self locking nut M4 DIN 982 Cl.8
107	5310062-60	Bracket, brake rod
108	5310062-06	Spring pin 5 x 30 DIN 7346
109	7252368-71	Hex screw M6 x 16 DIN 933 8.8
110	7322616-01	Self locking nut M6 DIN 985 Cl.8
111	5310058-57	Ratchet pivot plate
113	5310058-56	Lever bypass
114	5310057-67	Self locking nut M8 DIN 985 Cl.8
115	5310058-24	Flat washer 8.4 DIN 125 A
116	5310058-54	Arm lever
117	5310058-55	Bushing
118	7341152-01	Flat washer 6.4 DIN 9021 B
119	7216140-01	Cotter pin 1.6 x 16 DIN 94
120	5310058-53	Pedal pad - black
121	5310061-24	Pedal
122	5310058-52	Spring
123	5310057-67	Self locking nut M8 DIN 985 Cl.8
124	5310058-24	Flat washer 8.4 DIN 125 A
125	5310054-89	Brake spring
126	5310061-25	Brake connecting rod
127	7216153-01	Cotter pin 2 x 18 DIN 94
128	5310061-26	Brake - shaft
129	5310062-07	Hand brake spring
130	5310061-27	Hand brake lever
131	7252451-61	Hex screw M8 x 20 DIN 933 8.8
132	5310055-20	Parking brake lever clamp
133	5310058-24	Flat washer 8.4 DIN 125 A
134	5310057-67	Self locking nut M8 DIN 985 Cl.8
135	5310058-20	Spring pin 5 x 22 DIN 1481
136	7252297-71	Hex screw M4 x 25 DIN 933 8.8

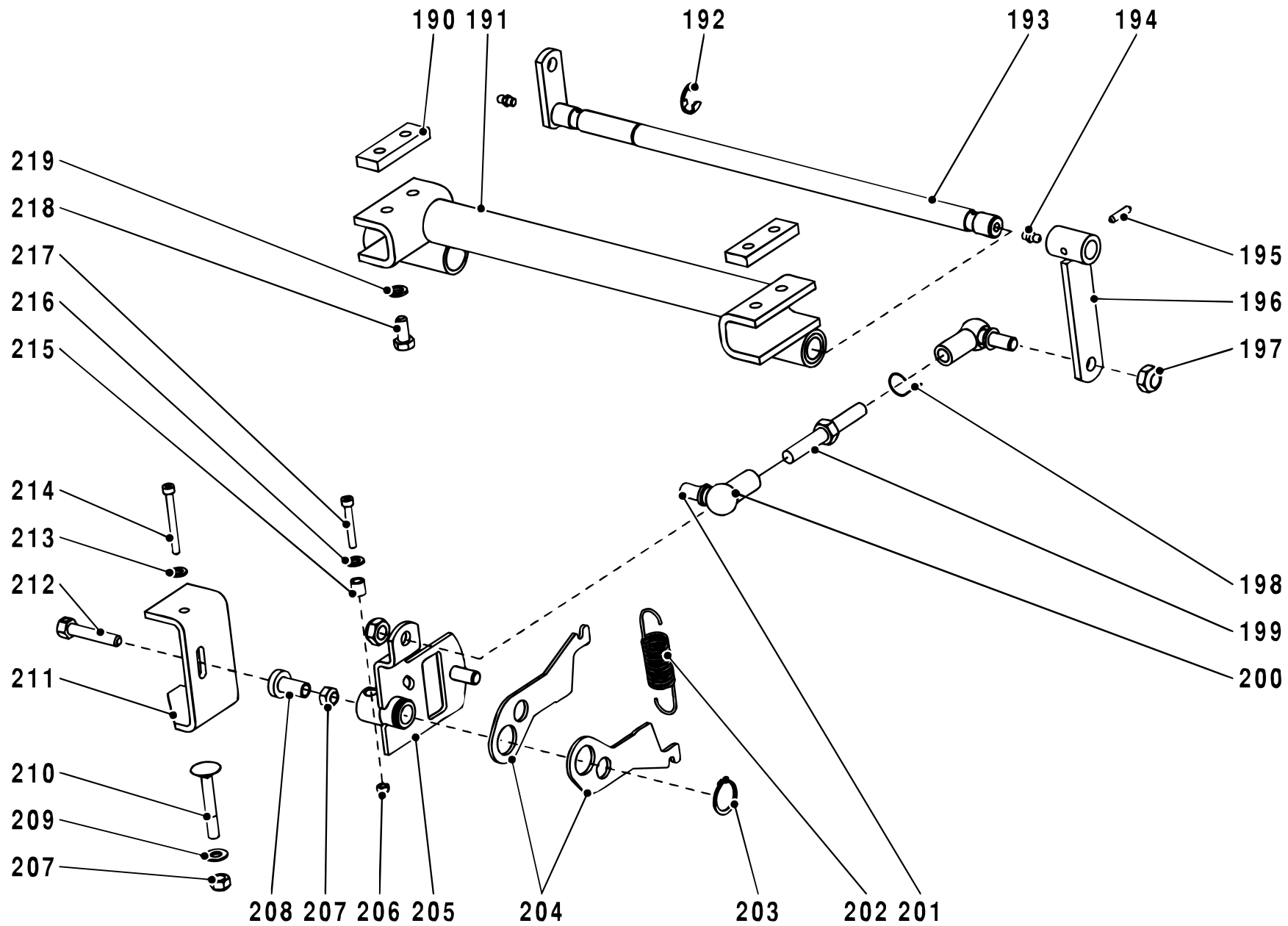
CTH 180 Operation - Travel pedals



# CTH 180 Operation -Travel pedals

## Section 4

<b>POS.</b>	<b>PART NO.</b>	<b>DESCRIPTION</b>
150	5310058-02	Travel pedal - front
151	5310058-03	Pedal pad
152	5310059-41	Hex screw M8 x 25 DIN 933 8.8
153	7312318-01	Hex nut M8 DIN 934 Cl.8
154	5310058-04	Locking ring 16 DIN 471
155	5310058-18	Grease fitting MK 6 x 1
156	5310058-07	Pedal pad - Skoda
157	5310058-08	Pedal travel - rear
158	5310058-06	Hex screw M8 x 50 DIN 933 8.8
159	7312318-01	Hex nut M8 DIN 934 Cl.8
160	5310058-13	Self locking nut M10 Tensilock Cl.8
161	5310058-12	Tie rod
162	7322520-01	Hex nut M10 DIN 934 Cl.8
163	5310054-21	Ball angle housihg 16 DIN 71805 B
164	5310058-09	Ball stud 16 DIN 71803 C
165	5310058-11	Locking stirrups 16 DIN 71805 S
166	5310058-39	Damper, gas shock XP-3293
167	5310057-67	Self locking nut M8 DIN 985 Cl.8
168	5310058-41	Bushing
169	5310058-42	Hex screw M8 x 30 DIN 933 8.8
170	7322120-01	Self locking nut M10 DIN 985 Cl.8
171	5310058-05	Travel lever
172	5310058-01	Key 4h9 x 4 x 16 DIN 6885 A

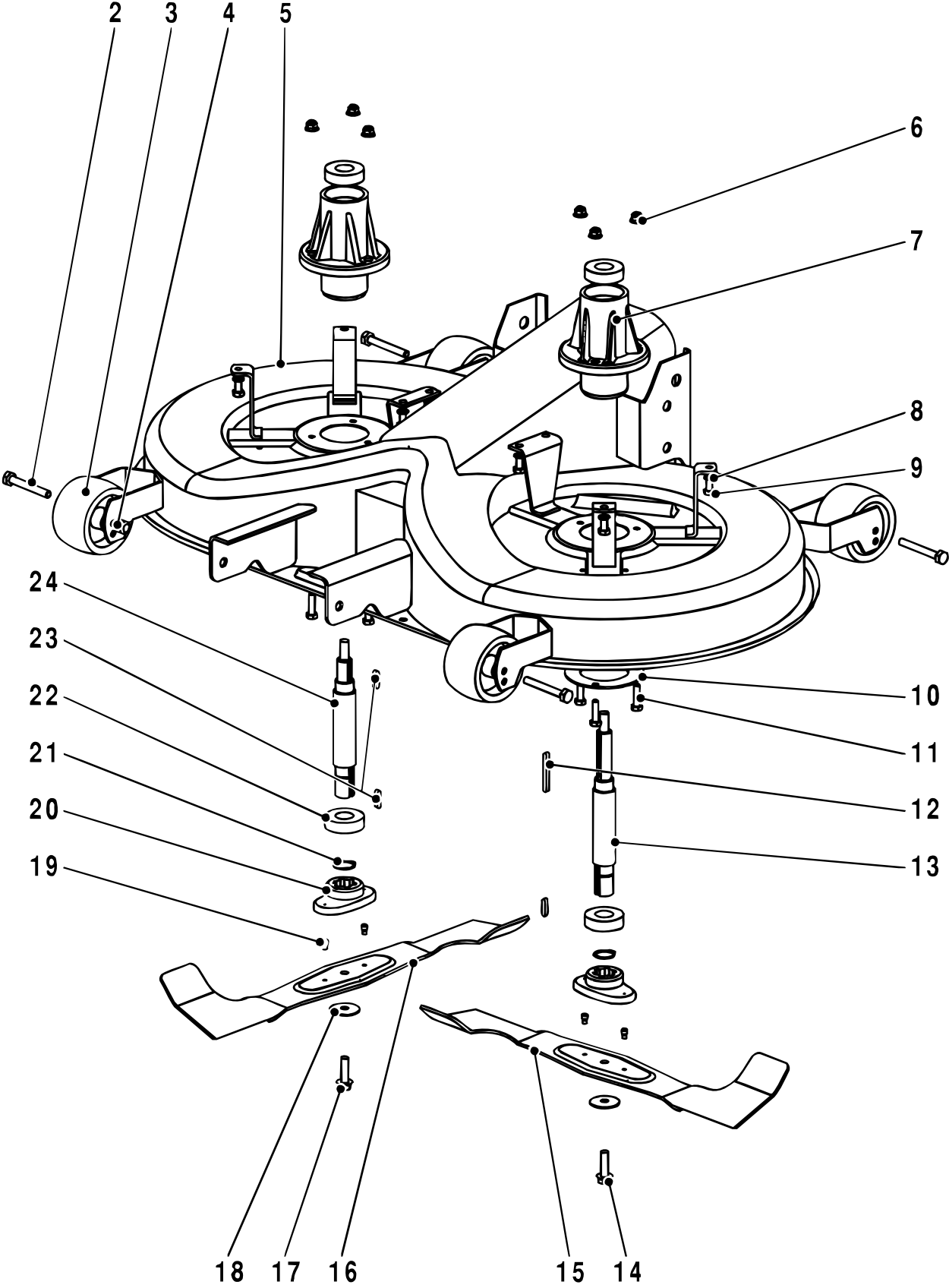


CTH 180 Operation - Hydrostatic - Transaxle control

## CTH 180 Operation - Hydrostatic - Transaxle control Section 4

POS.	PART NO.	DESCRIPTION
190	5310058-17	Filler
191	5310058-16	Diagonal shaft
192	5310059-39	Locking ring 12 DIN 6799
193	5310058-15	Shaft
194	5310058-18	Grease fitting MK 6 x 1
195	5310058-20	Spring pin 5 x 22 DIN 7346
196	5310058-19	Lever
197	5310058-13	Self locking nut M10 Tensilock CI.8
198	5310058-11	Locking stirrups 16 DIN 71805 S
199	5310061-28	Threaded pin
200	5310054-21	Ball angle joint 16 DIN 71805 B
201	5310058-09	Ball angle joint 16 DIN 71803 C
202	5310058-25	Spring
203	5310058-27	Locking ring 22 DIN 471
204	5310058-26	Arm
205	5310061-29	Multiple frame
206	5310058-31	Self locking nut M5 DIN 982 CI.8
207	5310057-67	Self locking nut M8 DIN 985 CI.8
208	5310058-33	Bushing
209	5310058-24	Flat washer 8.4 DIN 125 A
210	5310058-34	Carriage bolt M8 x 60 DIN 603 6.8
211	5310058-35	Holder
212	5310058-38	Screw M8 U
213	5310058-37	Flat washer 5.3 DIN1 25 A
214	5310059-40	Socket head cap screw M5 x 50
215	5310058-32	Bushing
216	5310058-30	Toothed washer 5.3 DIN 6798 A
217	5310058-29	Socket head cap screw M5 x 35 DIN 912 8.8
218	5310059-66	Hex screw M8 x 18 DIN 933 8.8
219	5310054-55	Spring washer 8 DIN 127 B

# CTH 180 Operation - cutting pan

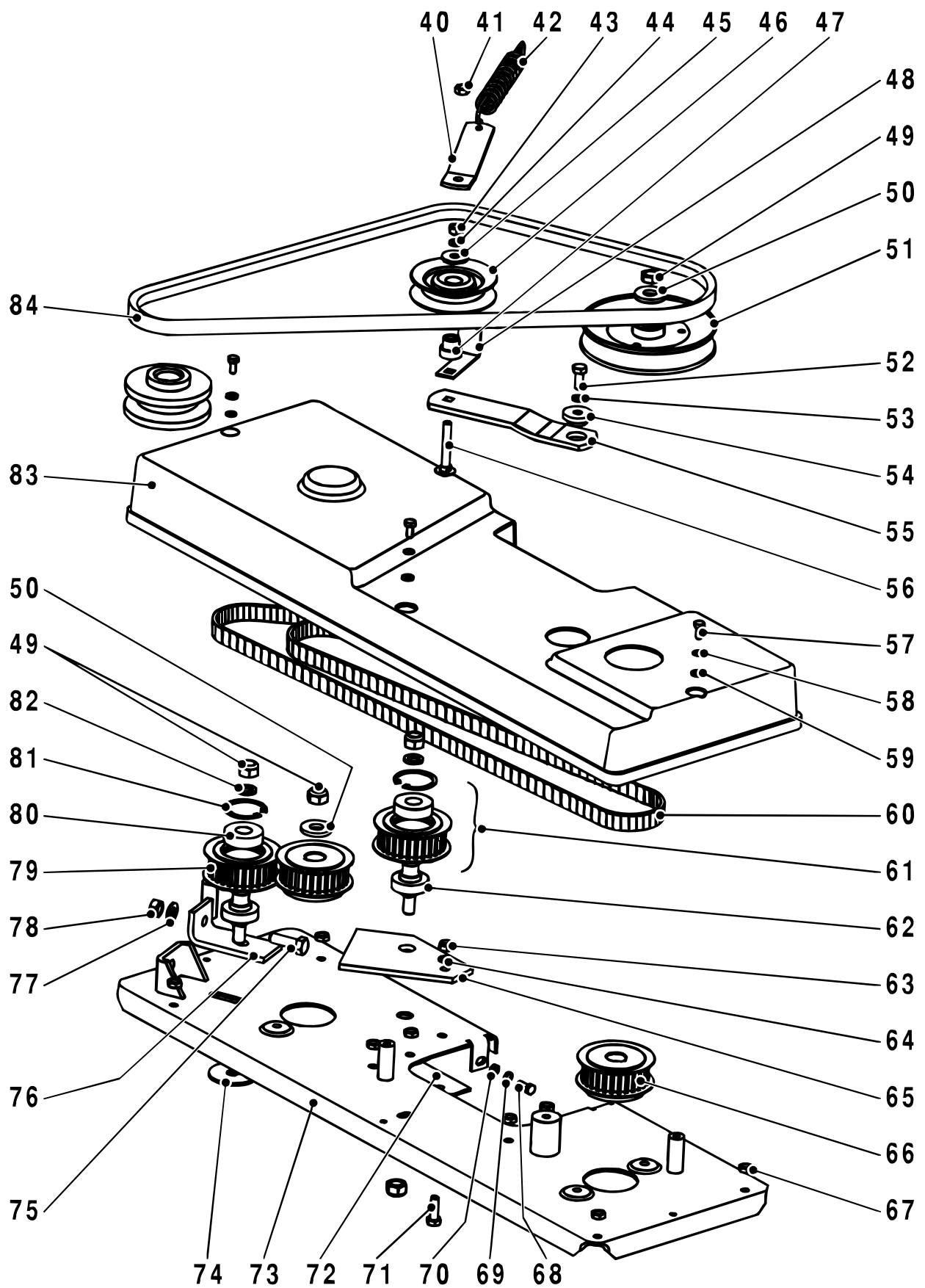


# CTH 180 Operation - cutting pan

## Section 5

POS.	PART NO.	DESCRIPTION
2	7252509-71	Hex screw M10x90 DIN 931 8.8
3	5310061-31	Gauge wheel
4	7322520-01	Self-locking nut M10 DIN 985 Cl.8
5	5310061-30	Cutting system, complete
6	7317118-71	Self locking flange nut M8 DIN 6926 Cl.8
7	5310057-37	Quill housing
8	5310058-24	Flat washer 8.4 DIN 125 A
9	7252451-61	Hex screw M8x20 DIN 933 8.8
10	5310062-10	Ring support
11	7252457-71	Hex flange bolt M8x35 DIN 6921 8.8
12	5310055-41	Key 6h9x6x56 DIN 6885 A
13	5310062-08	Blade shaft, left
14	5310062-11	Hex screw M10x1x35
15	5310061-33	Blade, Hi - left
16	5310061-34	Blade, Hi - right
17	5310057-32	Hex screw M10x1x35, left
18	5310061-35	Belleville washer 5808-147-109
19	5310057-29	Grooved shear pin
20	5310057-28	Blade adaptor
21	5310057-27	Locking ring 25 DIN 471
22	5310055-40	Bearing 6205 A 2RS
23	5310055-44	Square key 6h9x6x25 DIN 6885 A
24	5310061-36	Blade shaft, right

# CTH 180 Cutting pan

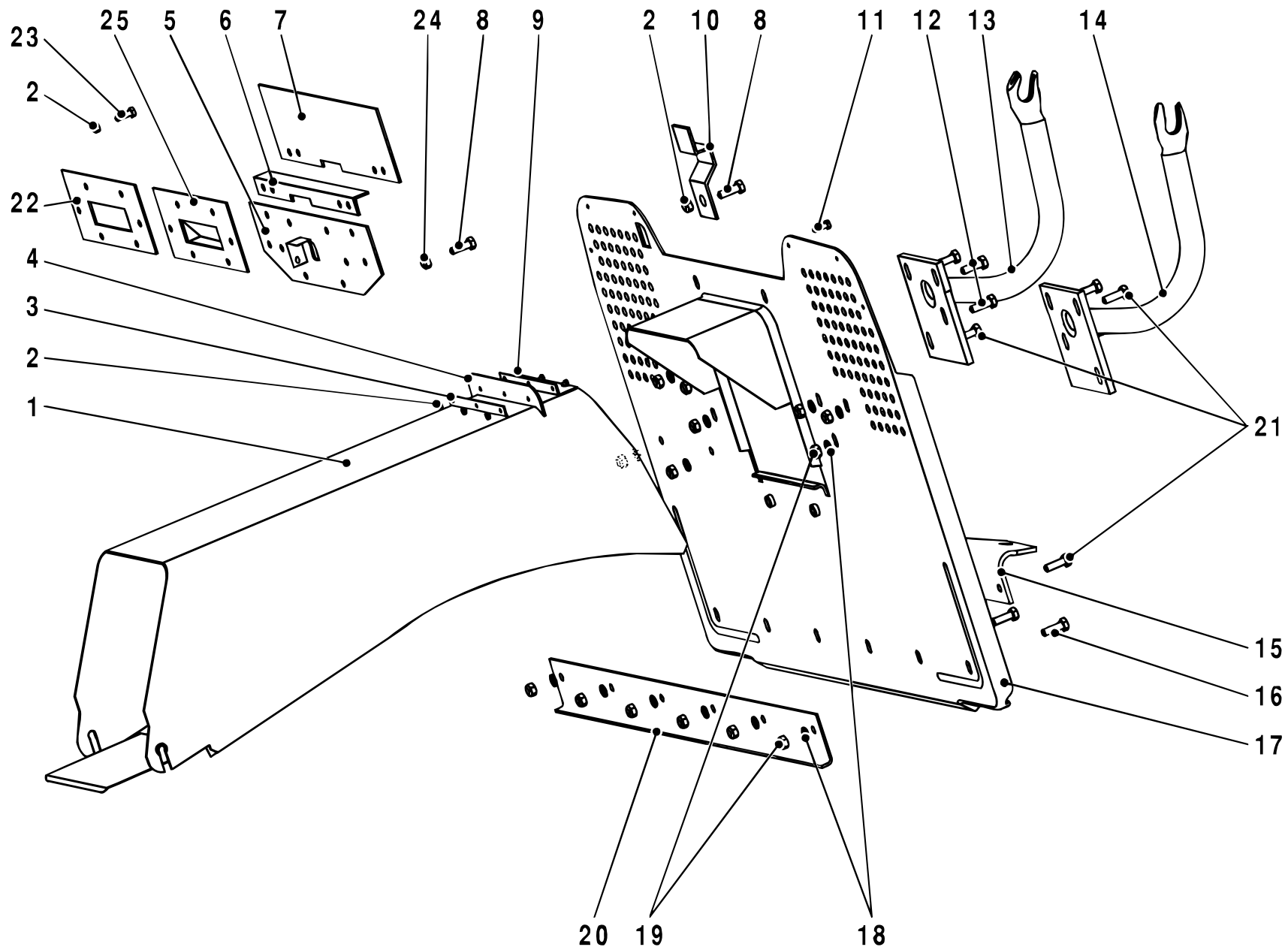




# CTH 180 Cutting pan

## Section 5

POS.	PART NO.	DESCRIPTION
40	5310055-63	Engagement lever
41	5310057-67	Self locking nut M8 DIN 985 Cl.8
42	5310058-62	Spring
43	5310054-33	Hex nut M8 DIN 934 Cl.08
44	5310054-55	Spring washer 8 DIN 127 B
45	5310056-74	Flat washer 8.4 DIN 7349
46	5310055-62	Idler pulley W3500 - 3712
47	5310061-37	Bushing
48	5310061-38	Belt retainer
49	7312322-01	Self locking nit M12 DIN 982 Cl.8
50	5310055-57	Flat washer
51	5310058-61	Drive pulley
52	5310059-41	Hex screw M8 x 25 DIN 933 8.8
53	5310054-55	Spring washer 8 DIN 127 B
54	5310057-41	Shoulder spacer
55	5310061-39	Idler arm
56	7252462-71	Hex screw M8 x 55 DIN 931 8.8
57	7252329-71	Hex screw M6 x 16 DIN 933 8.8
58	5310057-94	Spring washer 6 DIN 127 B
59	5310062-62	Rubber washer 6.4
60	5310061-40	Cog belt 20DS 8M 1760 Mitsuboshi
61	5310062-12	Cog pulley assy
62	5310062-13	Cog pulley pin
63	5310057-67	Self locking nut M8 DIN 985 Cl.8
64	5310058-24	Flat washer 8.4 DIN 125 A
65	5310061-41	Pulley support
66	5310055-67	Drive cog pulley 28
67	5310057-67	Self locking nut M8 DIN 985 Cl.8
68	7276368-01	Carriage bolt M6 x 16 DIN 603 6.8
69	7341152-01	Flat washer 6.4 DIN 125 A
70	7322616-01	Self locking nut M6 DIN 985 Cl.8
71	5310059-41	Hex screw M8 x 25 DIN 933 8.8
72	5310061-42	Flat washer
73	5310061-43	Blade drive plate assy
74	5310061-44	Cog pulley washer
75	7252500-71	Hex screw M10 x 45 DIN 933 8.8
76	5310062-14	Bracket idler
77	7341172-01	Flat washer 10.5 DIN 125 A
78	7322520-01	Self locking nit M10 DIN 985 Cl.8
79	5310061-45	Cog pulley 28
80	5310061-46	Bearing 6203A 2RS
81	5310061-47	Locking ring 40 DIN 472
82	5310057-55	Flat washer 13 DIN 125 A
83	5310061-48	Belt cover - black
84	5310058-63	V-Belt 17 x 1350 B53 - Mitsuboshi



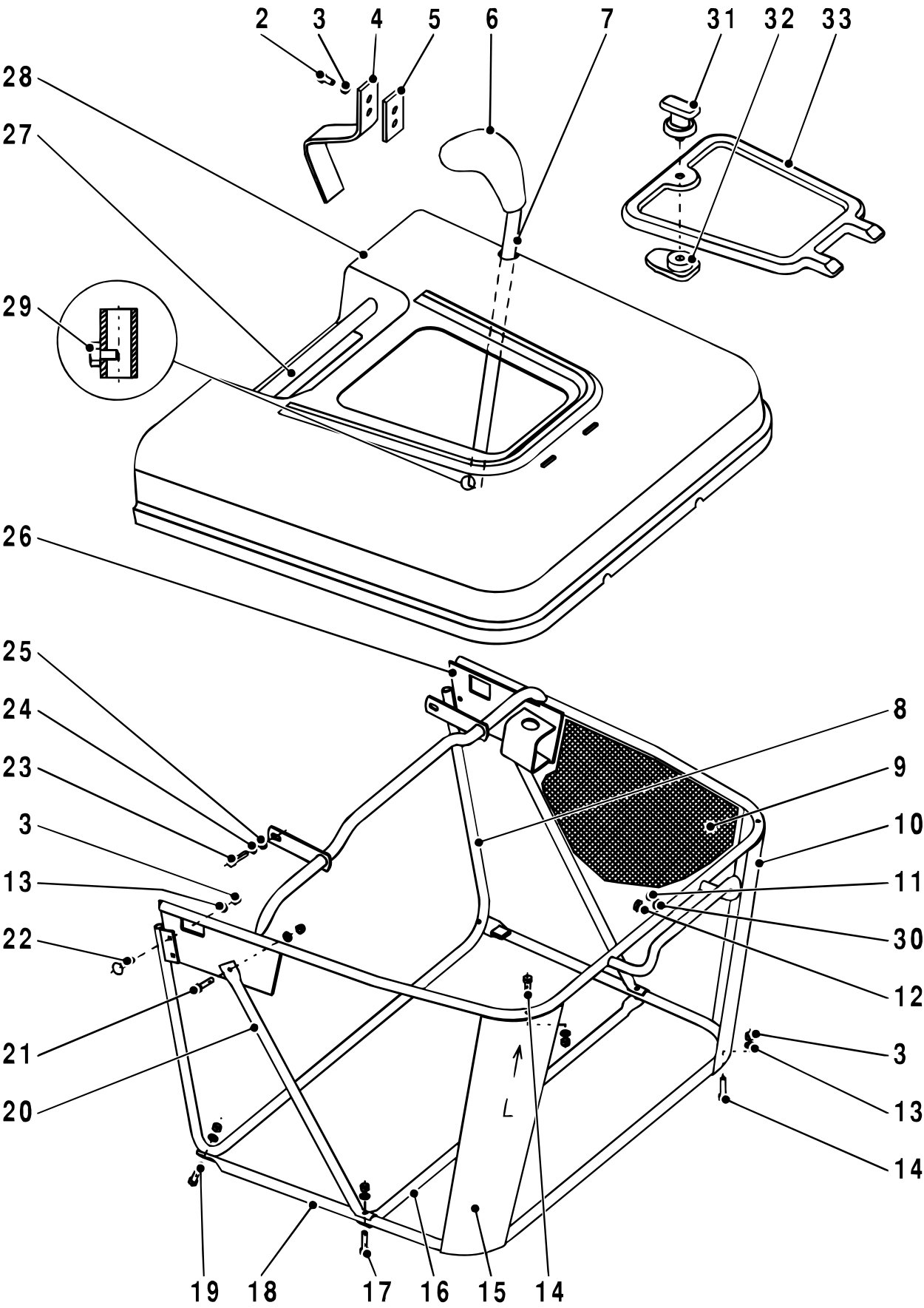
**CTH 180 Chute - collector assy**

# CTH 180 Chute - collector assy

## Section 6

POS.	PART NO.	DESCRIPTION
1	5310061-49	Tunnel
2	5310057-60	Self locking nut M4 DIN 985 CI.8
3	5310055-80	Support plate
4	5310062-61	Rubber seal
5	5310062-15	Cover plate
6	5310062-16	Bracket, cover plate
7	5310062-17	Shield, cover
8	5310061-68	Ecofix screw M4 x 16 BN 4825H 4.8
9	5310059-89	Head slotted screw M4 x 12 DIN 84A 8.8
10	5310062-18	Switch cover
11	7276449-51	Carriage bolt M8 x 16 BN 11252 10.9
12	5310055-77	Screw M8 x 25 Verbus Ripp BN 2797 CI.100
13	5310061-51	Collector support, right
14	5310061-52	Collector support, left
15	5310055-78	Tow hitch
16	7252453-71	Hex screw M8 x 20 DIN 6921 8.8
17	5310061-53	Collector plate assy
18	5310058-24	Flat washer 8.4 DIN 125 A
19	7252331-71	Self locking nut M8 DIN 985 CI.8
20	5310061-54	Tow hitch support
21	5310059-41	Hex screw M8x25 DIN 6921 8.8
22	5310062-47	Retainer plate, switch cover
23	7252291-71	Hex screw M4x12 DIN 933 8.8
24	5310062-48	Flat washer 4.3 DIN 9021 B
25	5310062-49	Bellows switch cover

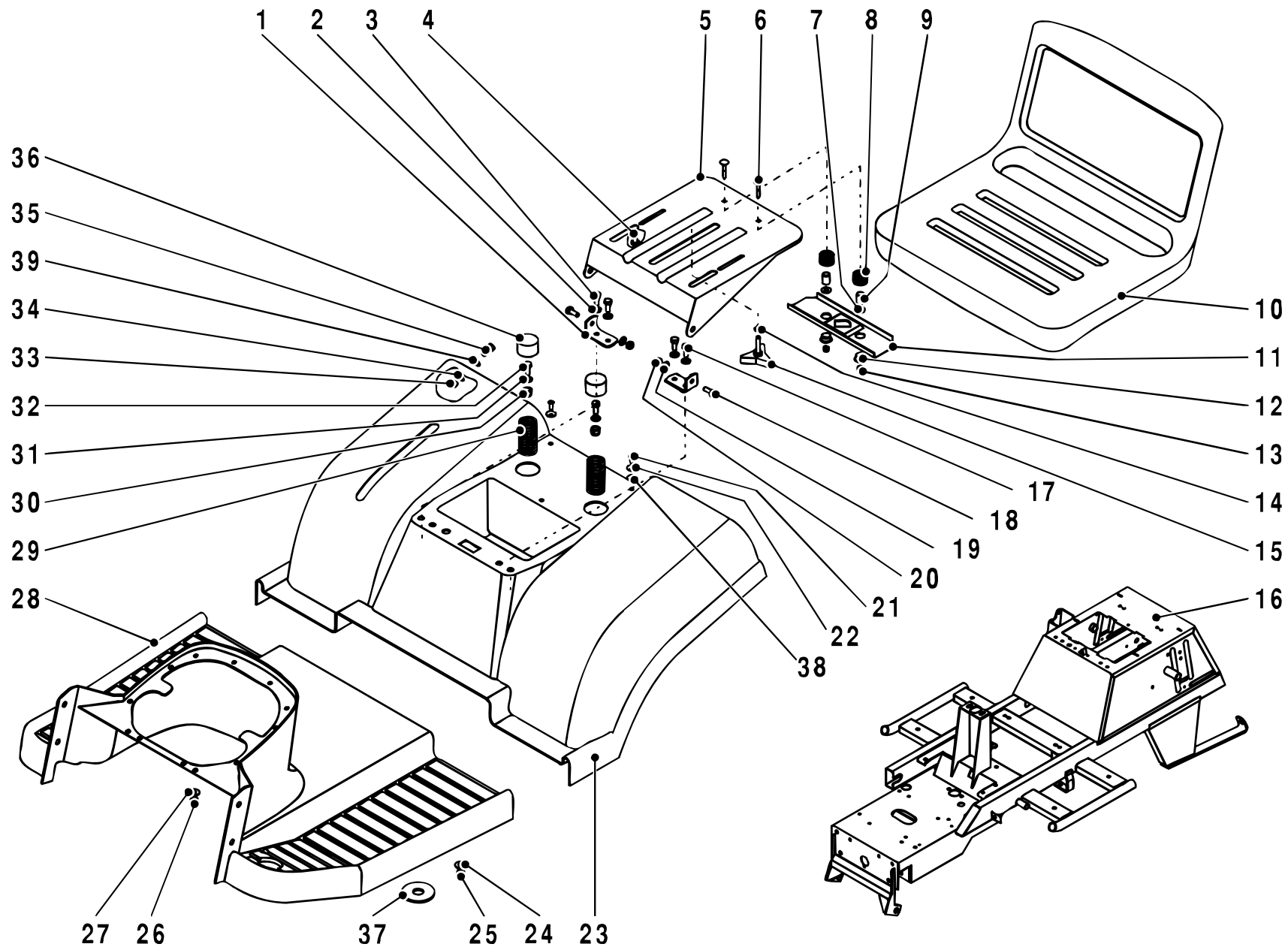
# CTH 180 Grass collector assy



# CTH 180 Grass collector assy

## Section 7

POS.	PART NO.	DESCRIPTION
1	5310062-19	Grass collector assy with window
2	5310056-78	Hex screw M5 x 16 DIN 933 8.
3	5310058-31	Self locking nut M5 DIN 985 Cl.8
4	5310061-55	Collector spring, interlock switch
5	5310062-20	Washer spring
6	5310061-56	Handle grip, dump lever - grey
7	5310061-57	Dumping lever
8	5310055-90	Front frame assy
9	5310065-31	Grass collector bag
10	5310061-51	Corner support - right
11	5310058-66	Flat washer 5.3 DIN 9021 B
12	5310062-21	Tapping screw ST4.8 x 16 DIN 7976 C
13	5310058-37	Flat washer 5.3 DIN 125 A
14	7252333-71	Hex screw M5 x 25 DIN 933 8.8
15	5310061-52	Corner support - left
16	5310055-93	Connecting brace
17	7252337-71	Hex screw M5 x 35 DIN 933 8.8
18	5310055-92	Bottom frame assy
19	7322112-01	Hex screw M5 x 25 DIN 933 8.8
20	5310055-91	Brace
21	7252329-71	Hex screw M5 x 16 DIN 933 8.8
22	5310056-78	Carriage bolt M5 x 16 DIN 903 6.8
23	7252451-61	Hex screw M8 x 20 DIN 933 8.8
24	5310054-55	Spring washer 8 DIN 127 B
25	5310056-74	Flat washer 8.4 DIN9021B
26	5310061-59	Top frame assy
27	5310055-88	Lift handle
28	5310061-60	Collector cover - orange
28	5310062-63	Collector cover - orange - (window)
29	5310061-85	Taptite thread form screw 1/4-20x1/2
30	5310062-50	Rubber washer 5.3
31	5310062-51	Knob
32	5310062-53	Knob arm
33	5310062-52	Transparent window

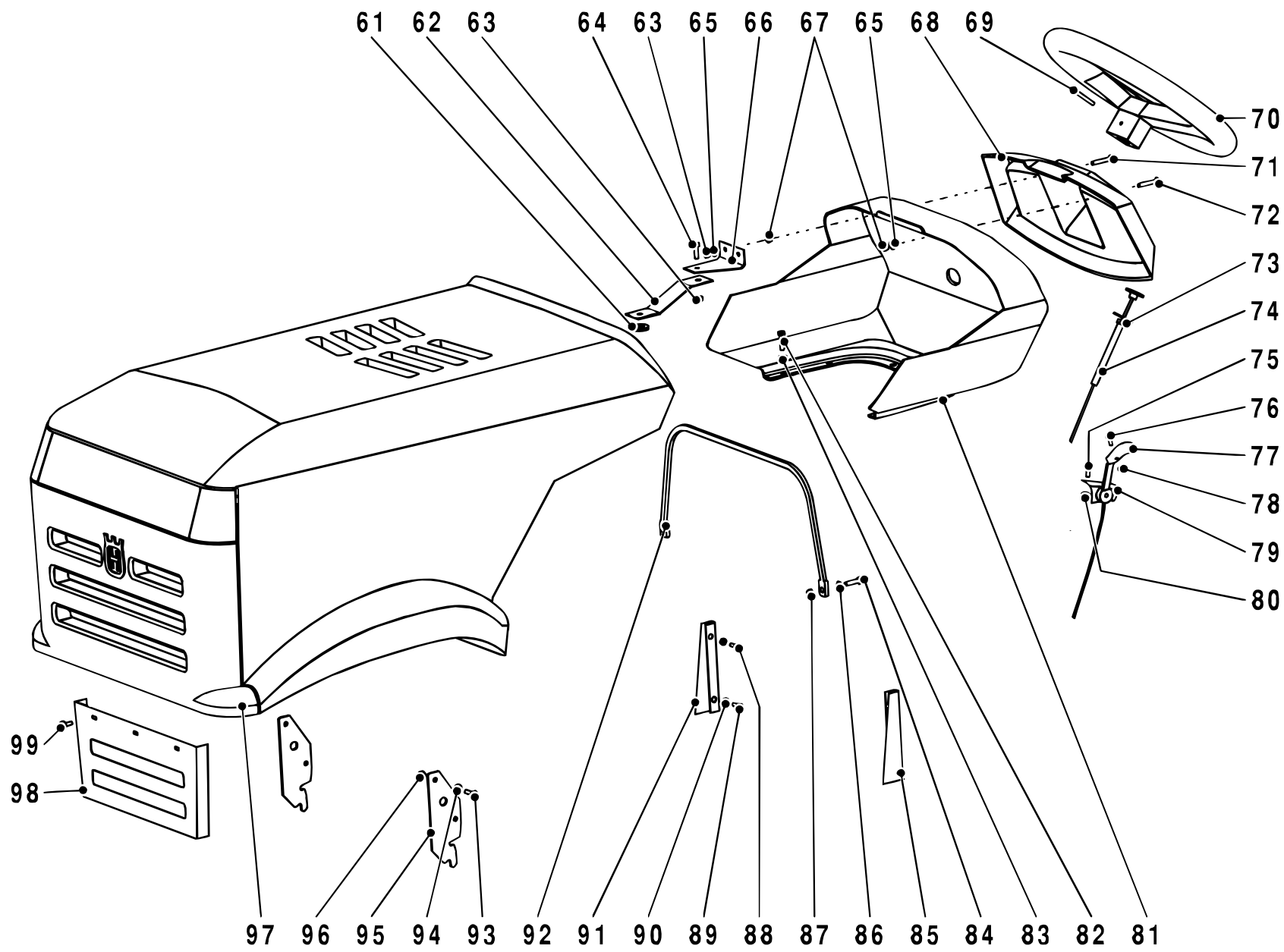


CTH 180 Body assy.

# CTH 180 Body assy.

## Section 8

POS.	PART NO.	DESCRIPTION
1	5310061-61	Seat support bracket
2	5310054-55	Spring washer 8 DIN 127 B
3	7252451-71	Hex screw M8x25 DIN 933 8.8
4	5310056-84	Shoulder bolt 5/16-18 x 62
5	5310061-62	Seat support
6	7276374-51	Carriage bolt M6 x 30 DIN 603 6.8
7	7341152-01	Flat washer 6.4 DIN 9021 B
8	5310062-22	Seat spring
9	5310061-63	Spacer, split
10	5321274-40	Seat, Husqvarna 140840
11	5310061-65	Bracket
12	5310062-23	Bushing
13	7322616-01	Self locking nut M6 DIN 985 Cl.8
14	5310056-82	Washer 17/32 x 1-3/16 x 12 Ga
15	5321200-68	Adj. knob 1/2 - 13 UNC
16	5310061-65	Chasis frame
17	5310058-42	Hex screw M8 x 30 DIN 933 8.8
18	5310056-85	Seat support screw
19	5310058-24	Flat washer 8.4 DIN 125 A
20	5310057-67	Self locking nut M8 DIN 985 Cl.8
21	7231331-01	Flat head socket screw M5x20 DIN 7991 10.9
22	7341145-71	Finishing washer 5.3 SN 213 912
23	5310061-66	Fender - orange
24	7341172-01	Flat washer 10.5 DIN 125 A
25	7322520-01	Self locking nut M10 DIN 985 Cl.8
26	5310058-31	Self locking nut M5 DIN 985 Cl.8
27	5310058-66	Flat washer 5.3 DIN 9021 B
28	5310061-67	Footrest assy. - grey
29	5310056-21	Seat spring
30	5310057-67	Self locking nut M8 DIN 985 Cl.8
31	5310056-74	Flat washer 8.4 DIN 9021 B
32		Hex screw M8x20 DIN 933 8.8
33	5310057-60	Self locking nut M4 DIN 985 Cl.8
34	7341136-01	Flat washer 4.3 DIN 9021 B
35	5310061-68	Carriage bolt M5x16 DIN 603 6.8
36	5310062-24	Hub cap SC 1-1/2 - black
37	5310062-54	Rubber washer 10.5
38		Rubber washer 5.3
39	5310062-50	Rubber washer 5.3



CTH 180 Body assy.

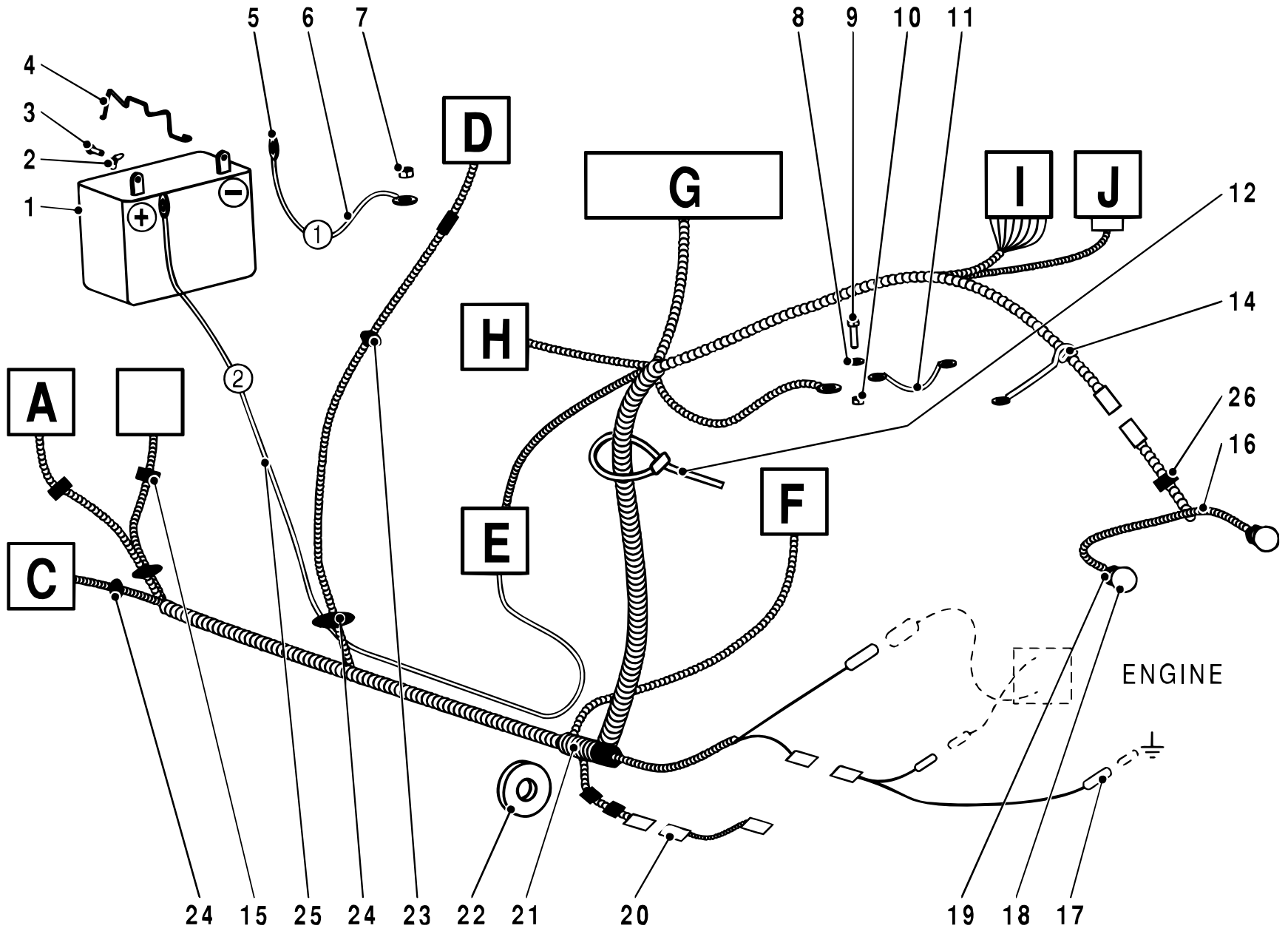


## CTH 180 Body assy.

### Section 8

POS.	PART NO.	DESCRIPTION
61	5310058-77	Bushing 22 x 2
62	5310056-07	Fuel tank holder
63	7322616-01	Self locking nut M6 DIN 985 Cl.8
64	7252368-71	Hex screw M6 x 16 DIN 933 8.8
65	7341152-01	Flat washer 6.4 DIN 9021 B
66	5310056-03	Support
67	7322616-01	Self locking nut M6 DIN 985 Cl.8
68	5310061-69	Dash panel - upper
69	5310056-80	Spring pin 6x45 DIN 7346
70	5310056-15	Steering wheel
71	7252372-71	Flat head screw M6 x 25 DIN 7991 10.9
72	7252368-61	Flat head screw M6 x 18 DIN 7991 10.9
73	8736106-00	Hex nut 3/8 - 24
74	5310062-25	Choke - Capro
75	7252327-61	Flat head screw M5 x 14 DIN 965 A 4.8
76	7231329-55	Head slotted screw M4 x 14 DIN 84 A 8.8
77	5310056-17	Throttle knob - grey
78	7312312-01	Self locking nut M4 DIN 985 Cl.8
79	5310058-69	Throttle lever assy. GAR001
80	5310058-31	Self locking nut M5 DIN 985 Cl.8
81	5310061-70	Dash panel, lower
82	7252331-71	Hex screw M5 x 20 DIN 933 8.8
83	5310058-66	Flat washer 5.3 DIN 9021 B
84	7252329-71	Hex screw M5x16 DIN 933 8.8
85	5310057-45	Filler, left
86	5310058-66	Flat washer 5.3 DIN 9021 B
87	5310058-31	Self locking nut M5 DIN 985 Cl.8
88	7252293-71	Hex socket head screw M4x16 DIN 933 8.8
89	7252293-71	Hex screw M4 x 16 DIN 933 8.8
90	7312312-01	Self locking nut M4 DIN 985 Cl.8
91	5310057-46	Filler, right
92	5310056-30	Hood brace
93	5310057-51	Screw 1/4-20x3/4
94	7341145-71	Flat washer 9/32x7/8x16 GA
95	5310062-26	Hood pivot bracket
96	8736804-00	Hex lock nut 1/4-20
97	5310061-61	Hood assy. 153476 - orange
98	5310061-72	Heat shield - bumper
99	5310062-27	Self drilling screw 4.2x12(Eco) DIN 7504 K 4.8

CTH 180 Electrical

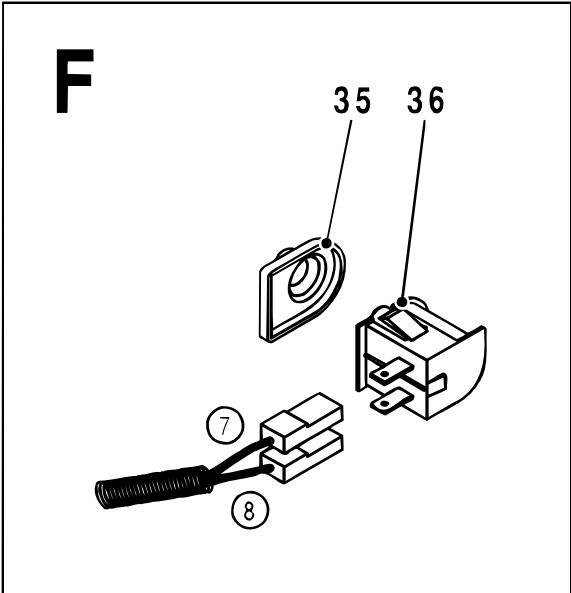
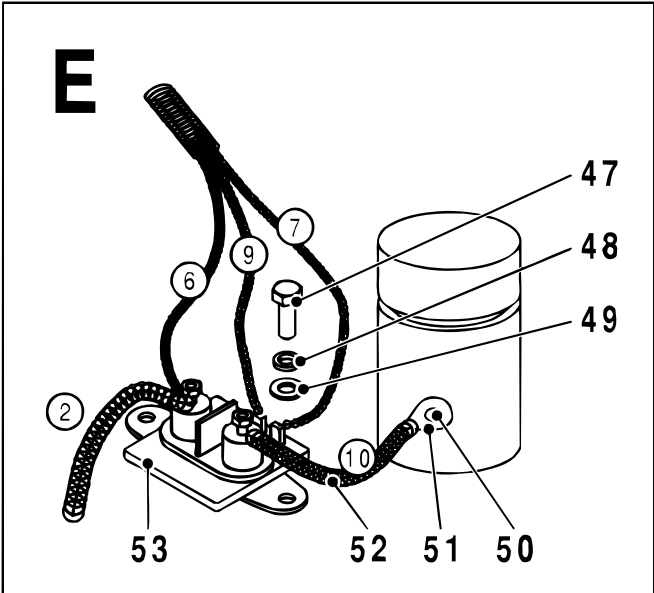
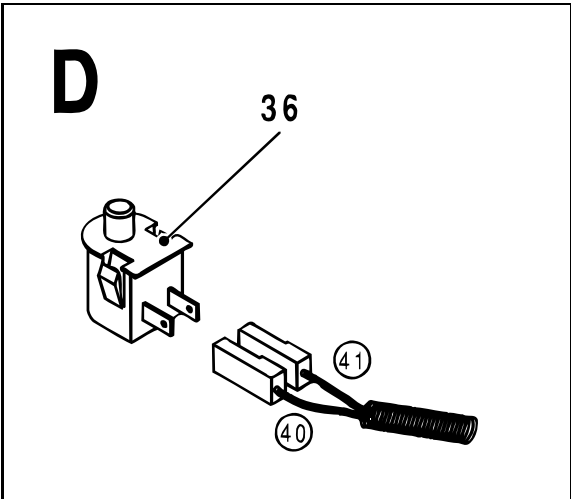
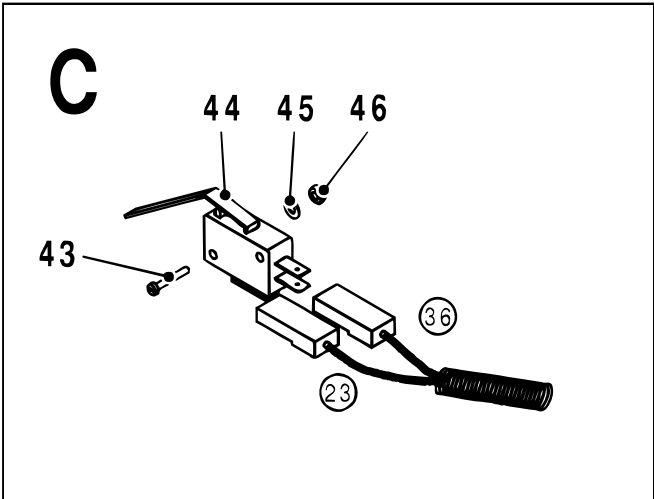
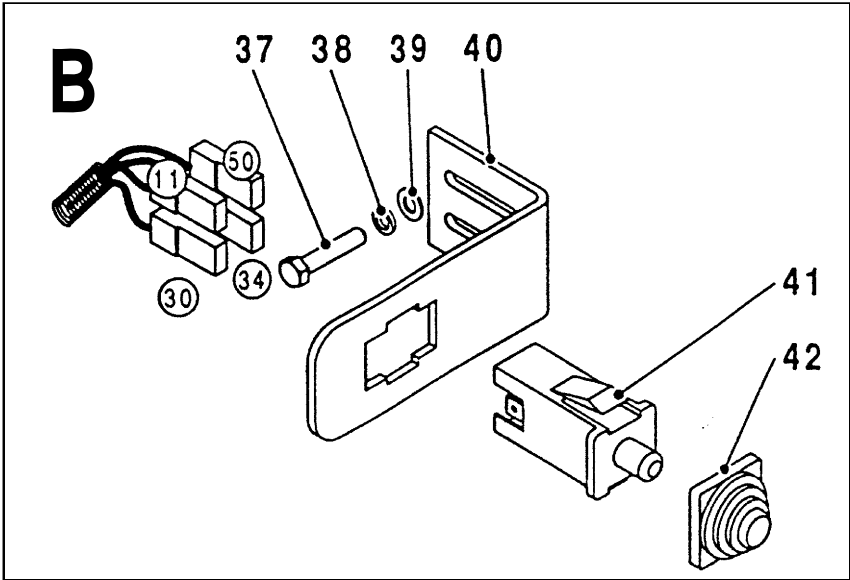
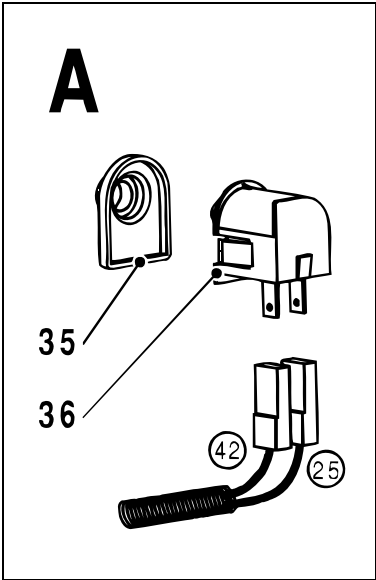


# CTH 180 Electrical

## Section 9

POS.	PART NO.	DESCRIPTION
1	5310056-31	Battery 12V-22Ah - wet
2	5310059-53	Plasic wing nut 1/4 - 20
3	5310054-54	Battery screw 1/4-20x3/4 LG
4	5310057-54	Battery clamp
5	5310059-46	Rubber boot
6	5310059-76	Battery cable (-)
7	7322518-71	Self locking nut M8 DIN 985 Cl.8
8	5310058-37	Flat washer 5.3 DIN 125 A
9	5310056-78	Hex screw M5x16 DIN 933 8.8
10	5310058-31	Self locking nut M5 DIN 985 Cl.8
11	5310061-73	Electrical lead
12	5310056-52	Cable ties RT360
14	5310062-28	Wiring harness holder
15	5310062-55	Clip - snap in 1903-00 F/A
16	5310062-29	Light wiring harness
17		Extension cable
18	5310056-43	Light bulb 12V - 10W K20
19	5310062-31	Light socket
20	5310061-74	Clutch harness with diode
21		Main wiring harness WN 195 23
22	5310057-63	Cap - 15455 - 4539
23	5310056-13	Bushing 9x2
24	5310061-76	Bushing 18x2
25	5310061-77	Battery cable (+)
26	5310062-55	Nylon clips - adhesive 1/4 PCNY 250-9

# CTH 180 Electrical

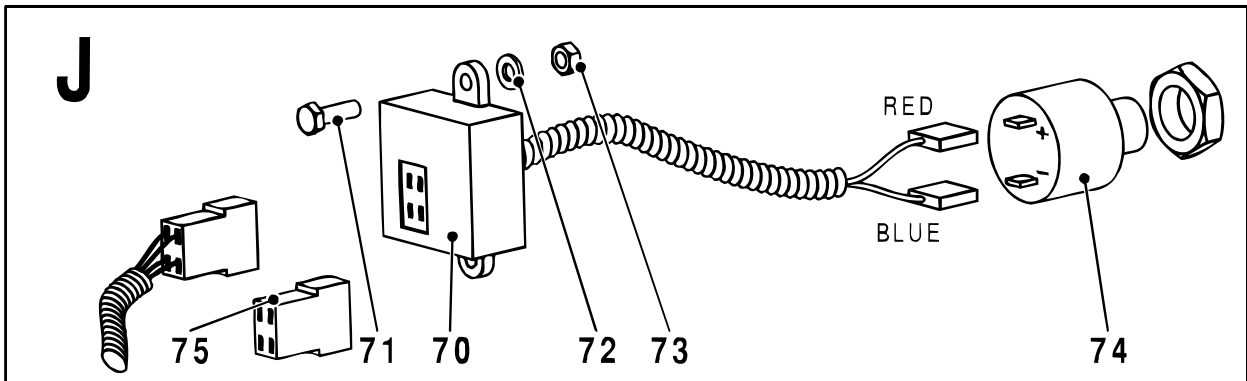
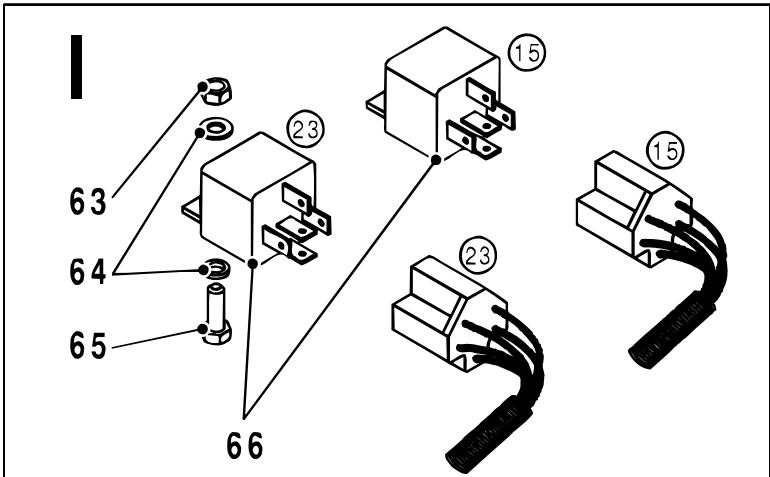
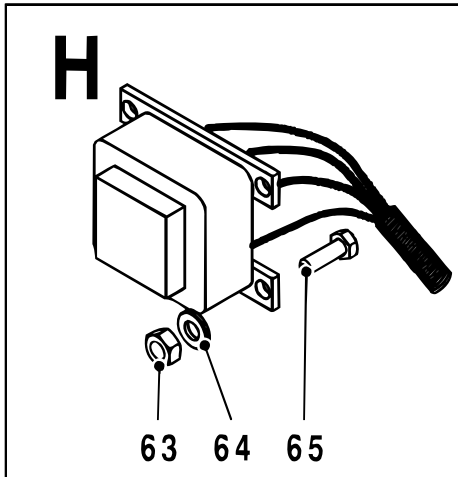
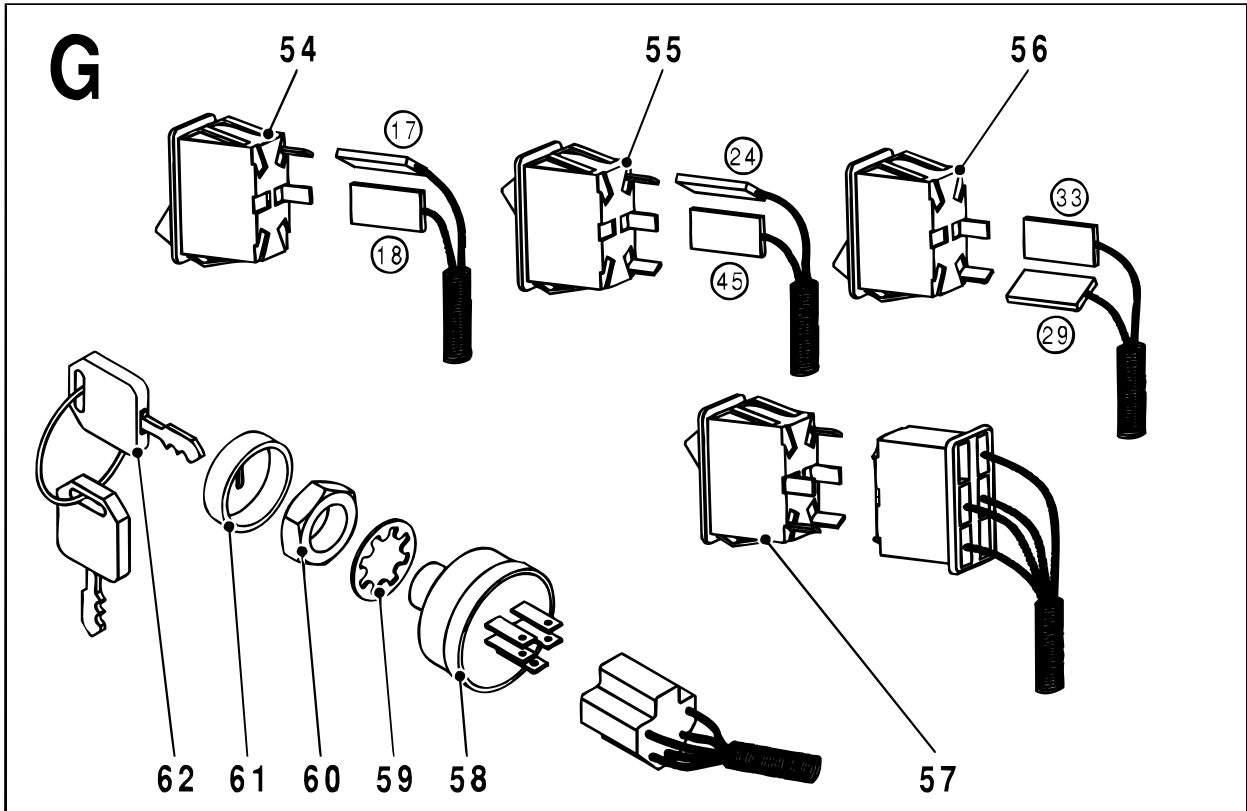


# CTH 180 Electrical

## Section 9

<b>POS.</b>	<b>PART NO.</b>	<b>DESCRIPTION</b>
35	5310061-78	Protective cover 9905
36	5310059-57	Switch DELTA 6440-04
43	7231230-01	Slotted head screw M3x20 DIN 84 A 4.8
44	5310061-82	Cherry switch OE 33-55 HX
45	7352124-01	Tooth-head lock washer 3.2 DIN 6797 A
46	7322510-01	Self locking nut M3 DIN 985 Cl.8
47	7252366-71	Hex screw M6x12 DIN 933 8.8
48	5310057-94	Spring washer 6 DIN 127 B
49	7341152-01	Flat washer 6.4 DIN 125 A
50	5310056-62	"Nut W 1/4" - 20"
51	5310062-32	Rubber boot
52	5310061-83	El. starter lead (10)
53	5310056-36	Solenoid 94255/12V - 150A

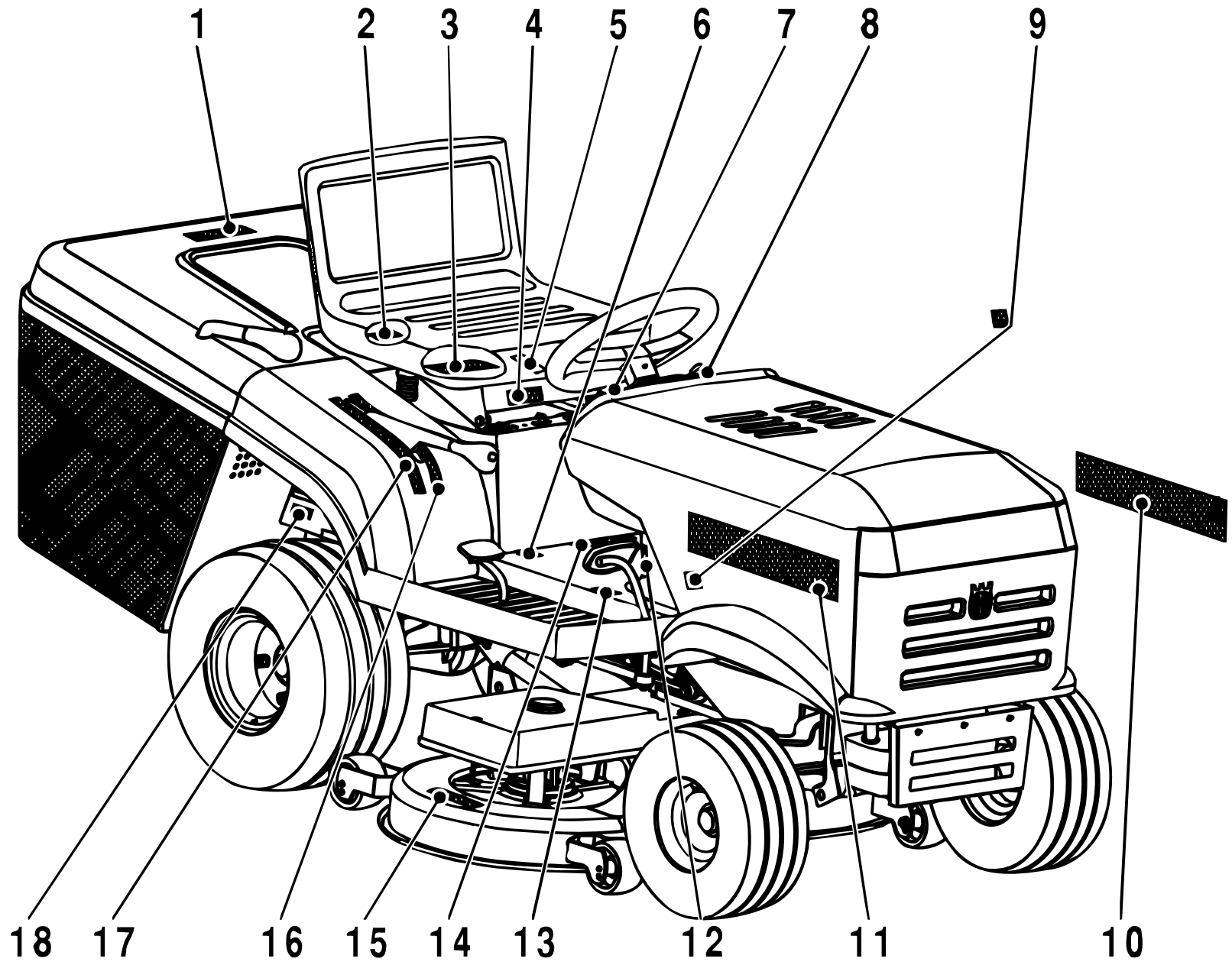
# CTH 180 Electrical



# CTH 180 Electrical

## Section 9

<b>POS.</b>	<b>PART NO.</b>	<b>DESCRIPTION</b>
54	5310056-94	Switch LIGHT 8951 K 808
55	5310059-48	Switch MAN-AUTO 8004 K 26 N
56	5310059-49	Switch RESET 8004 K 35 N
57	5310061-84	Locking rocker switch
58	5310059-51	3 pos. key switch INDAK (3Y463A)
59	5310062-33	Lock washer - INDAK
60	5310062-34	Nut - INDAK 5A 83034
61	5310059-52	Ignition switch bezel (A86445)
62	5310059-50	Ignition key set - INDAK 5C 880
63	5310058-31	Self locking nut M5 DIN 985.CI.8
64	5310058-66	Flat washer 5.3 DIN 9021 B
65	7252331-71	Hex screw M5 x 20 DIN 933 8.8
66	5310056-49	Relay 443 811 445 141
70	5310062-41	Buzzer box ZP 98/1
71	5310056-78	Hex screw M5x16 DIN 933 8.8
72	5310058-66	Flat washer 5.3 DIN 9021 B
73	5310058-31	Self locking nut M5 DIN 985 CI.8
74	5310062-42	Buzzer
75	5310062-43	By-pass service connector



CTH 180 Decals - labels 18 HP CTH 180



# CTH 180 Decals - labels 18 HP CTH 180

Section 10 CATALOGUE 1997

1998-99

<b>POS.</b>	<b>PART NO.</b>	<b>DESCRIPTION</b>
1	5310057-79	Decal - Husqvarna
2	5310057-78	Decal - arrow
3	5310057-80	Identification label
4	5310062-35	Decal B&S
5	5310062-36	Battery label
6	5310058-83	Travel direction decal
7	5310062-37	Dashpanel decal - right
8	5310058-81	Dashpanel decal - left
9	5310057-73	Decal - brake locking
10	5310058-80	Decal - Husqvarna CTH 180 - left
11	5310058-79	Decal - Husqvarna CTH 180 - right
12	5310057-72	Users information
13	5310057-70	Safety label
14	5310062-38	Safety decal
15	5310057-71	Safety label - cutting
16	5310065-32	Label of lifting - left
17	5310065-33	Label of lifting - right
18	5310062-40	Hydro locking decal