

LTH 120

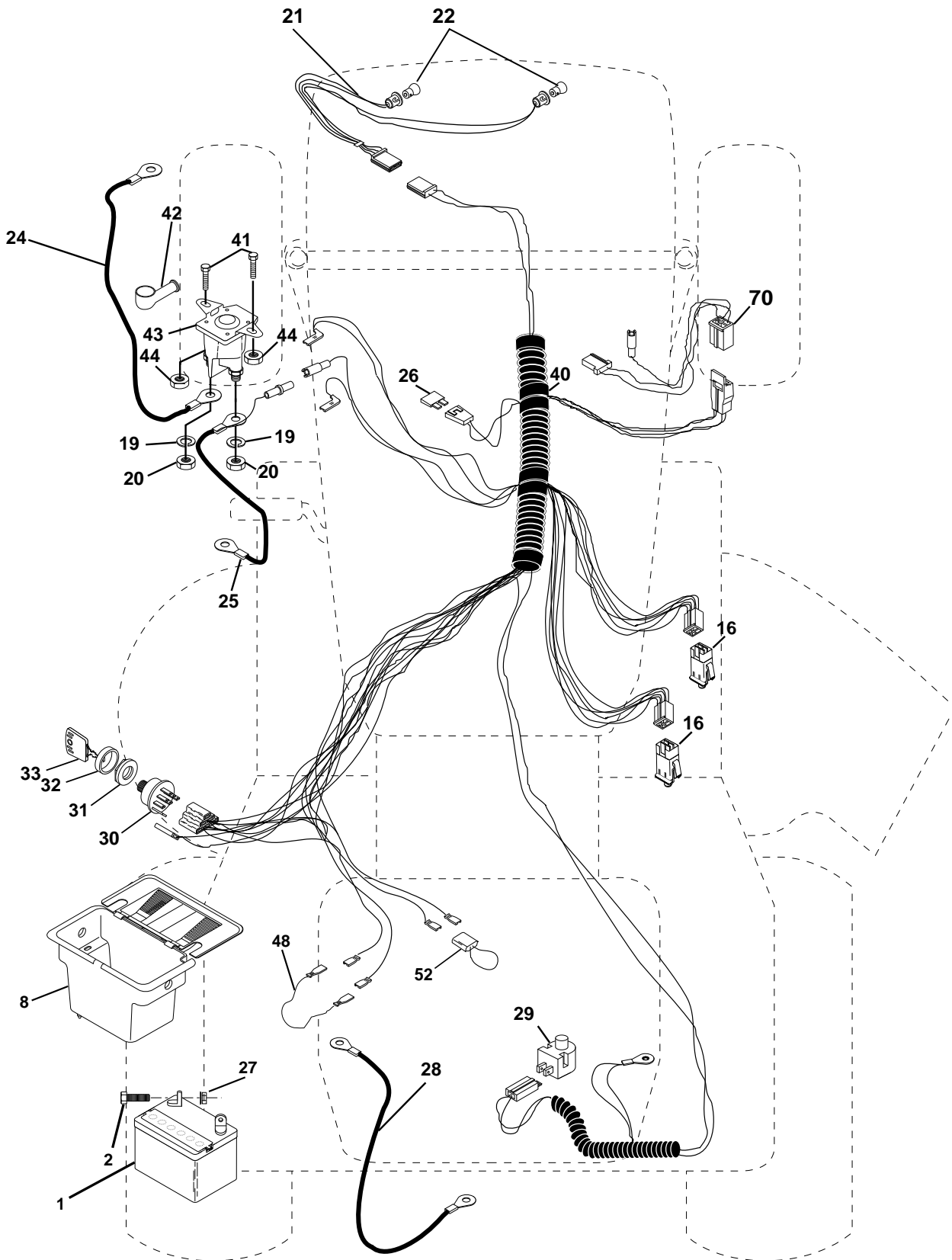


03.1999
Spare Parts

954140003F

REPAIR PARTS

TRACTOR - MODEL NO. LTH120 (954140003F), PRODUCT NO. 954 14 00-03
ELECTRICAL



REPAIR PARTS

TRACTOR - MODEL NO. LTH120 (954140003F), PRODUCT NO. 954 14 00-03

ELECTRICAL

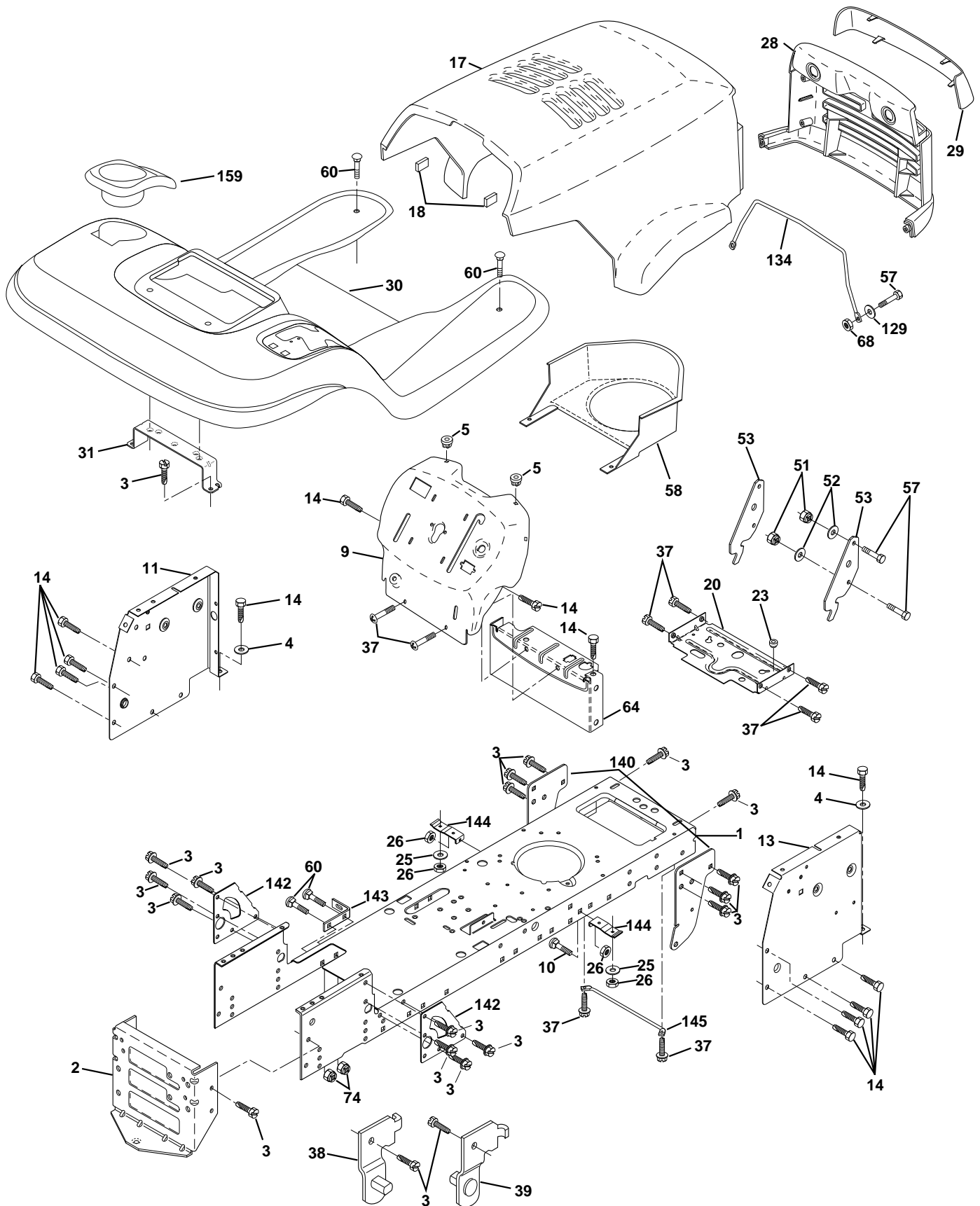
| KEY NO. | PART NO. | DESCRIPTION |
|---------|------------------|--------------------------------------|
| 1 | 532144925 | Battery 12 Volt 25 AMP |
| 2 | 874760412 | Bolt Hex Hd 1/4-20unc X 3/4 |
| 8 | 532156417 | Case Battery Mech Hinge |
| 16 | 532153664 | Switch Interlock Push-In |
| 19 | 810090400 | Washer Lock 1/4 |
| 20 | 873350400 | Nut Jam Hex 1/4-20 Unc |
| 21 | 532166181 | Harness Asm Light W/4152j |
| 22 | 532004152 | Bulb Light #1156 |
| 24 | 532124780 | Cable Battery 6 Ga 11" red |
| 25 | 532146147 | Cable Battery 6 Ga 44" red w/16 wire |
| 26 | 532166180 | Fuse 15 AMP |
| 27 | 873510400 | Nut Keps Hex 1/4-20 Unc |
| 28 | 532124773 | Cable Ground 6 Ga 12" black |
| 29 | 532121305 | Switch Plunger Nc Gray |
| 30 | 532140301 | Switch Ign 4 pos w/lights |
| 31 | 532124211 | Nut Ignition |
| 32 | 532141226 | Cover Sw Ignition |
| 33 | 532122147 | Key Ign Molded Generic |
| 40 | 532166145 | Harness Ign. |
| 41 | 871110408 | Bolt Blk Fin Hex 1/4 - 20 x 1/2 |
| 42 | 532131563 | Cover Terminal Red |
| 43 | 532145673 | Solenoid |
| 44 | 873640400 | Nut Keps Hex 1/4-20 Unc |
| 48 | 532140844 | Adapter Ammeter Rectangular |
| 52 | 532141940 | Protection Wire Loop |
| 70 | 532166658 | Harness, Eng. B&S |

NOTE: All component dimensions given in U.S. inches.
1 inch = 25.4 mm.

REPAIR PARTS

TRACTOR - MODEL NO. LTH120 (954140003F), PRODUCT NO. 954 14 00-03

CHASSIS AND ENCLOSURES



REPAIR PARTS

TRACTOR - MODEL NO. LTH120 (954140003F), PRODUCT NO. 954 14 00-03

CHASSIS AND ENCLOSURES

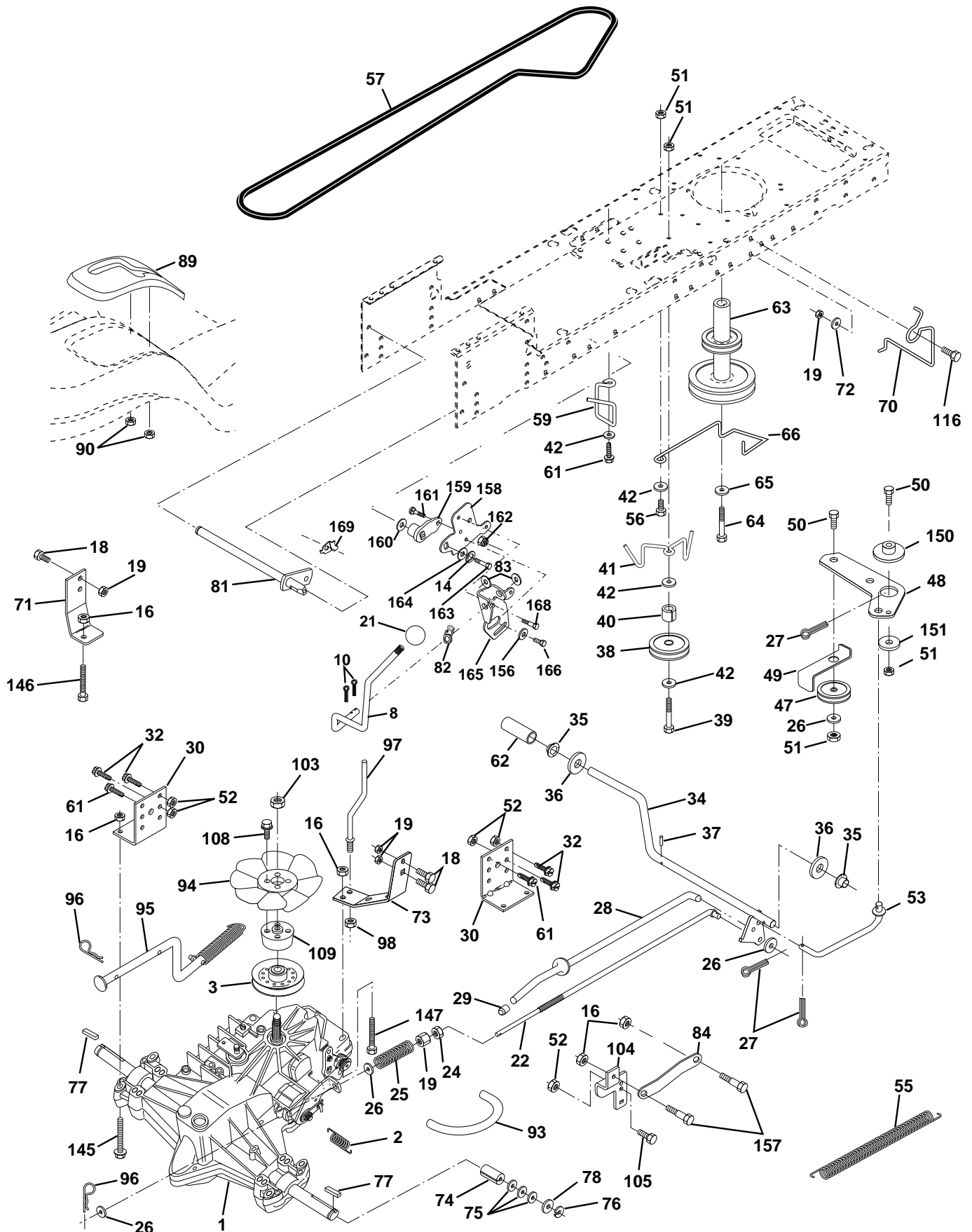
| KEY NO. | PART NO. | DESCRIPTION |
|---------|------------------|---------------------------------------|
| 1 | 532166819 | Chassis Weldment |
| 2 | 532140356 | Drawbar, Stretch |
| 3 | 817490612 | Screw Thdrol 3/8-16x3/4 Ty-tt |
| 4 | 819131216 | Washer 13/32 x 3/4 x 16 Ga. |
| 5 | 532155272 | Bumper Hood/Dash |
| 9 | 532162742 | Dash P/L M, N/AMM N/HM |
| 10 | 872140608 | Bolt Carriage 3/8-16 x 1 |
| 11 | 532155927 | Panel Dash Lh |
| 13 | 532157262 | Panel Dash Rh |
| 14 | 817490608 | Screw Thdrol 3/8-16x1/2 Ty-tt |
| 17 | 532165378 | Hood LT/PL Husqvarna |
| 18 | 532126938 | Bumper Hood |
| 20 | 532156437 | Plate Mtg Battery Fuel Tank Fr |
| 23 | 532124028 | Bushing |
| 25 | 819131312 | Washer 13/32 X 13/16 X 12 Ga |
| 26 | 873800600 | Nut Lock Hex W/Ins 3/8-16 Unc |
| 28 | 532165379 | Grille LT/PL Husqvarna |
| 29 | 532165380 | Lens LT/PL Husqvarna |
| 30 | 532166505 | Fender Footrest STLT Pnt |
| 31 | 532139976 | Bracket Support Fender |
| 37 | 817490508 | Screw Thdrol 6/16-18 x 1/2 TYT |
| 38 | 532139886 | Bracket, Asm. Pivot, L.H., Mower Rear |
| 39 | 532139887 | Bracket, Asm. Pivot, R.H., Mower Rear |
| 51 | 873800400 | Nut Lock Hex W/Ins 1/4-20 |
| 52 | 819091416 | Washer 9/32 x 7/8 x 16 Ga. |
| 53 | 532150067 | Bracket Pnt. Pick off LT/PL Husqvarna |
| 57 | 874780412 | Bolt Hex 1/4-20 x 3/4 |
| 58 | 532150127 | Air Duct Engine P/L |
| 60 | 872140606 | Bolt Rdhd Sqnk 3/8-16unc x 3/4 |
| 64 | 532154798 | Dash Lower STLT |
| 68 | 873510400 | Nut Keps Hex 1/4-20unc |
| 74 | 873680600 | Nut Crownlock 3/8-16 UNC |
| 129 | 819091016 | Washer 9/32 x 5/8 x 16 Ga. |
| 134 | 532160219 | Rod Support Hood LT/PL Husq. |
| 140 | 532158418 | Bracket Suspension Front |
| 142 | 532165867 | Plate Reinforcement STLT |
| 143 | 532154966 | Bracket Swaybar Chassis |
| 144 | 532154207 | Bracket Pnt Footrest STLT |
| 145 | 532156524 | Rod Pivot Chassis/Hood |
| 159 | 532166508 | Cupholder Stlt Grey |
| -- | 532005479 | Plug Button |

NOTE: All component dimensions given in U.S. inches
1 inch = 25.4 mm

REPAIR PARTS

TRACTOR - MODEL NO. LTH120 (95414003F), PRODUCT NO. 954 14 00-03

DRIVE



REPAIR PARTS

TRACTOR - MODEL NO. LTH120 (954140003F), PRODUCT NO. 954 14 00-03

DRIVE

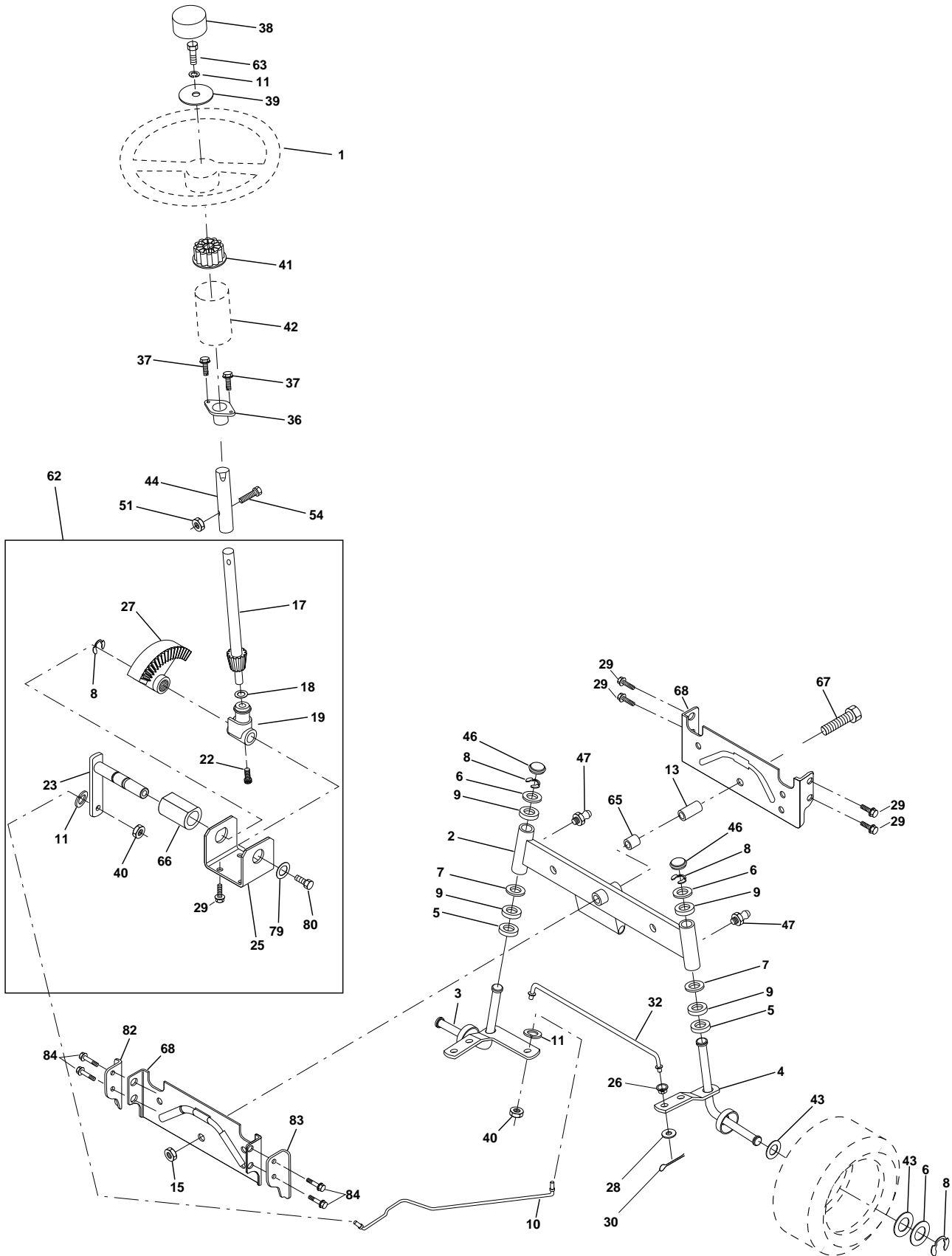
| KEY NO. | PART NO. | DESCRIPTION | KEY NO. | PART NO. | DESCRIPTION |
|---------|------------------|---|---------|------------------|-----------------------------------|
| 1 | ----- | Transaxle Hydro Gr. 319-0500 (Order parts from transaxle manufacturer) | 70 | 532134683 | Guide Belt Mower Drive RH |
| 2 | 532142431 | Spring, Return, Brake | 71 | 532141417 | Strap Torque Lh Hydro |
| 3 | 532144698 | Pulley, Transaxle | 72 | 819132012 | Washer 13/32 x 1-1/4 x 12 Ga. |
| 8 | 532165866 | Rod Shift Fender Adjust | 73 | 532141418 | Strap Torque Rh Hydro |
| 10 | 876020416 | Pin Cotter 1/8 x 1 CAD | 74 | 532121199 | Spacer, Split |
| 14 | 810040400 | Washer Lock Hvy Helical | 75 | 532121749 | Washer 25/32 x 1-1/4 x 16 Gauge |
| 16 | 873800500 | Nut Lock Hex W/Ins. 5/16-18 Unc P | 76 | 812000001 | E-Ring |
| 18 | 874780616 | Bolt Fin Hex 3/8-16 Unc x 1 Gr. 5 | 77 | 532123583 | Key, Square |
| 19 | 873800600 | Nut Lock Hex W/Wsh 3/8-16 Unc | 78 | 532121748 | Washer 25/32 x 1-5/8 x 16 Gauge |
| 21 | 532121274 | Knob, Duckhead 1/2-13 | 81 | 532165591 | Shaft Asm Cross Tapered |
| 22 | 532145627 | Rod, Brake Hydro | 82 | 532165711 | Spring Torsion |
| 24 | 873350600 | Nut | 83 | 819171216 | Washer 17/32 x 3/4 x 16 Ga. |
| 25 | 532106888 | Spring, Brake Rod | 84 | 532165816 | Link Transaxle |
| 26 | 819131316 | Washer | 89 | 532166510 | Console, Shift |
| 27 | 876020412 | Pin Cotter 1/8 x 3/4 CAD. | 90 | 532124346 | Nut, Self-Thd Wsh-hd 1/4 Zinc |
| 28 | 532145204 | Rod, Parking Brake | 93 | 532142564 | Line Fuel Hydro 4" |
| 29 | 532071673 | Cap, Parking Brake | 94 | 532140462 | Fan, Hydro 7" |
| 30 | 532130807 | Bracket, Transaxle | 95 | 532144643 | Control Asm Bypass Hydro |
| 32 | 874760512 | Bolt Hex Hd 5/16-18 Unc x 3/4 | 96 | 532124788 | Retainer Spring 1" Zinc/Cad |
| 34 | 532155071 | Shaft, Foot Pedal | 97 | 532144201 | Keeper Belt Rh Hydro |
| 35 | 532120183 | Bearing, Nylon | 98 | 873510600 | Nut Keps Hex 3/8-16 Unc |
| 36 | 819211616 | Washer | 103 | 873940800 | Nut Nylon Insert 1/2-20 Unf. |
| 37 | 532124963 | Pin, Roll | 104 | 532141421 | Arm, Control Hydro |
| 38 | 532131494 | Pulley, Idler, Flat | 105 | 871070516 | Screw Cap Hex 5/16 x 18 x 1 |
| 39 | 874760644 | Bolt | 108 | 817541026 | Screw Hex Wh Hd #10-24 x |
| 40 | 532124965 | Spacer, Split | 109 | 532145098 | Adaptor Fan Hydro LT Hyd Alum |
| 41 | 532165838 | Keeper, Belt Idler | 116 | 872110610 | Bolt Rdhd Sq. Neck 3/8-16 x 1.25 |
| 42 | 819131312 | Washer 13/32 x 13/16 x 12 Gauge | 145 | 874490540 | Bolt Hex Flghd 5/16-18 x Gr. 5 |
| 47 | 532127783 | Pulley, Idler, V-Groove | 146 | 874490536 | Bolt Hex Flghd 5/16-18 x 2-1/4 |
| 48 | 532154407 | Bellcrank Clutch Grnd Prv STL | 147 | 874490524 | Bolt Hex Flghd 5/16-18 x 1-1/2 |
| 49 | 532123205 | Retainer, Belt | 150 | 532165850 | Bushing Bellcrank Grd Drive |
| 50 | 874760624 | Bolt | 151 | 819133210 | Washer 13/32 x 2 x 10 Ga. |
| 51 | 873680600 | Nut | 156 | 532166002 | Washer Srrted 5/16 ID X 1 X .125 |
| 52 | 873680500 | Nut Crownlock 5/16-18 | 157 | 532153236 | Bolt Shoulder 5/16-18 Unc -2A |
| 53 | 532105710 | Link, Clutch | 158 | 532165589 | Bracket Shift Mount |
| 55 | 532105709 | Spring, Return, Clutch | 159 | 532165494 | Hub Tapered Flange Shift LT |
| 56 | 874760620 | Bolt Fin Hex 3/8-16 UNC x 1-1/4 | 160 | 819292016 | Washer 29/32 x 1-1/4 x 16 Ga. |
| 57 | 532141416 | V-Belt, Ground Drive | 161 | 872140406 | Bolt Rdhd Sqnk 1/4-20 x 3/4 Gr. 5 |
| 59 | 532140312 | Keeper, Center Span | 162 | 873680400 | Nut Crownlock 1/4-20 Unc |
| 61 | 817490612 | Screw Thdrol. 3/8-16 x 3/4 Ty. TT | 163 | 874780416 | Bolt Hex Fin 1/4-20 Unc x 1 Gr. 5 |
| 62 | 532124872 | Cover, Pedal | 164 | 819091010 | Washer 5/8 x .281 x 10 Ga. |
| 63 | 532140186 | Pulley, Engine | 165 | 532165623 | Bracket Pivot Lever |
| 64 | 871170764 | Bolt Hex 7/16-20 x 4 Gr 5 | 166 | 532166880 | Screw 5/16-18 x 5/8 |
| 65 | 810040700 | Washer | 168 | 532165492 | Bolt Shoulder 5/16-18 x .561 |
| 66 | 532154778 | Keeper Belt Engine Hydro | 169 | 532165580 | Plate Fastening |

NOTE: All component dimensions give in U.S. inches.
1 inch = 25.4 mm.

REPAIR PARTS

TRACTOR - MODEL NO. LTH120 (954140003F), PRODUCT NO. 954 14 00-03

STEERING ASSEMBLY



REPAIR PARTS

TRACTOR - MODEL NO. LTH120 (954140003F), PRODUCT NO. 954 14 00-03

STEERING ASSEMBLY

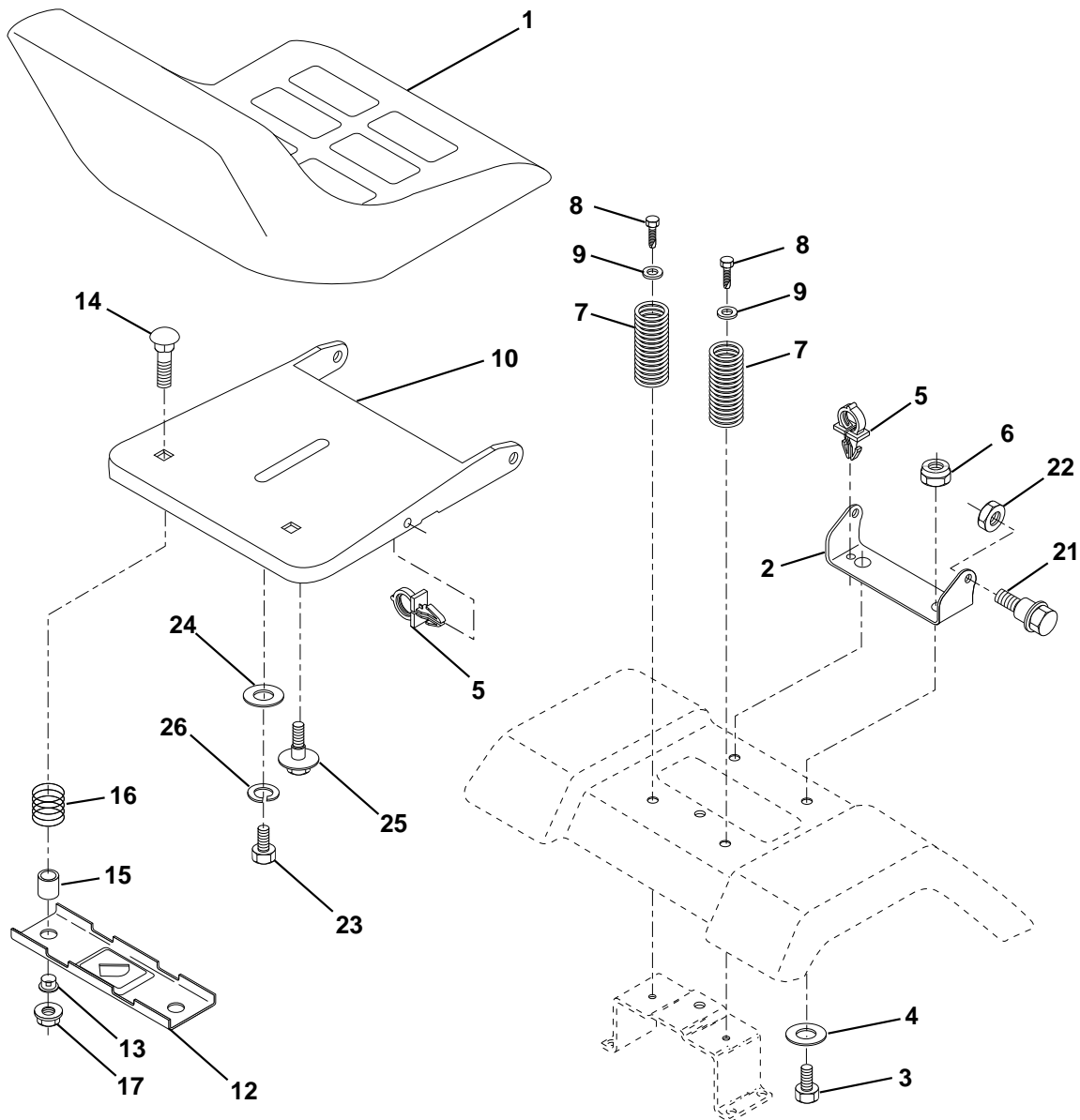
| KEY NO. | PART NO. | DESCRIPTION |
|---------|------------------|----------------------------------|
| 1 | 532124415 | Wheel Steering |
| 2 | 532154427 | Axle Asm STMP Dropped STL |
| 3 | 532156483 | Spindle Asm LH |
| 4 | 532157473 | Spindle Asm RH |
| 5 | 532124931 | Bearing Race Thrust Harden |
| 6 | 532121748 | Washer 25/32 X 1-5/8 X 16 Ga |
| 7 | 819272016 | Washer 27/32 X 1-1/4 X 16 Ga |
| 8 | 812000029 | Ring Klip #t5304-75 |
| 9 | 532124937 | Bearing Col Strg Blk |
| 10 | 532156438 | Link Drag Extended Stamp |
| 11 | 810040600 | Washer Lock Hvy Hlcl Spr 3/8 |
| 13 | 532154779 | Bearing Axle STLT/GT |
| 15 | 873901000 | Nut Lock Flange 5/8-11 Unc |
| 17 | 532156546 | Shaft Asm Strg |
| 18 | 532057079 | Washer Thrust 515x 750x 033 |
| 19 | 532160395 | Support Shaft |
| 22 | 532165857 | Screw Hex WshHd Torx |
| 23 | 532165851 | Shaft Asm Pittman |
| 25 | 532154406 | Bracket Steering |
| 26 | 532126847 | Bushing Link Drag Blk LR |
| 27 | 532136874 | Gear Sector |
| 28 | 819131416 | Washer 13/32 X 7/8 X 16 Ga |
| 29 | 817490612 | Screw Thdrol 3/8-16x3/4 Ty-tt |
| 30 | 876020412 | Pin Cotter 1/8 X 3/4 Cad |
| 32 | 532130465 | Rod Tie Wire Form 19 75 Mech |
| 36 | 532155099 | Bushing Strg |
| 37 | 532152927 | Screw |
| 38 | 532124416 | Insert Cap Strg Wh Au |
| 39 | 819133808 | Washer 13/32 X 2-3/8 X 8 Ga |
| 40 | 532124701 | Lock nut |
| 41 | 532100711 | Adaptor Wheel Strg |
| 42 | 532155092 | Boot Steering Shaft |
| 43 | 532121749 | Washer 25/32 X 1 1/4 X 16 Ga |
| 44 | 532153720 | Extension Steering Shaft LR/LT |
| 46 | 532121232 | Cap Spindle Fr Top Blk |
| 47 | 532124836 | Fitting Grease |
| 51 | 873800500 | Nut Lock Hex w/Ins 5/16-18 |
| 54 | 874780520 | Bolt Fin Hex 5/16-18 Unc x 1-1/4 |
| 62 | 532167902 | Kit, Steering Assembly Svc |
| 63 | 874780616 | Bolt Fin Hex 3/8-16unc x 1 Gr. 5 |
| 65 | 532154780 | Spacer Axle |
| 66 | 532154404 | Bearing Arm Pittman |
| 67 | 874781044 | Bolt, Fin Hex 5/8-11 UNC x 2-3/4 |
| 68 | 532154429 | Axle, Brace |
| 79 | 819132012 | Washer 13/32 x 1-1/4 x 12 Ga. |
| 80 | 874950612 | Bolt Hex Nylon 3/8-16 x 3/4 |
| 82 | 532165138 | Bracket Brace Front Axle LH |
| 83 | 532165139 | Bracket Brace Front Axle RH |
| 84 | 817490616 | Screw Thdrol 3/8-16 x 1 |

NOTE: All component dimensions given in U.S. inches.
1 inch = 25.4 mm.

REPAIR PARTS

TRACTOR - MODEL NO. LTH120 (954140003F), PRODUCT NO. 954 14 00-03

SEAT ASSEMBLY



KEY PART NO. NO.

DESCRIPTION

| | | |
|----|-----------|--------------------------------|
| 1 | 532140838 | Seat |
| 2 | 532140551 | Bracket Pivot Seat 8 720 |
| 3 | 874760616 | Bolt Fin Hex 3/8-16unc X 1 |
| 4 | 819131610 | Washer 13/32 X 1 X 10 Ga |
| 5 | 532145006 | Clip Push-In |
| 6 | 873800600 | Nut Hex w/Ins. 3/8-16 Unc |
| 7 | 532124181 | Spring Seat Cprsn 2 250 Blk Zi |
| 8 | 817490616 | Screw Thdrol 3/8-16 X 1 Ty-tt |
| 9 | 819131614 | Washer 13/32 X 1 X 14 Ga. |
| 10 | 532155925 | Pan Seat |
| 12 | 532121246 | Bracket Mounting Switch |
| 13 | 532121248 | Bushing Snap Blk Nyl 50 Id |
| 14 | 872050412 | Bolt Rdhd Sqkn 1/4-20x1-1/2 |

KEY PART NO. NO.

DESCRIPTION

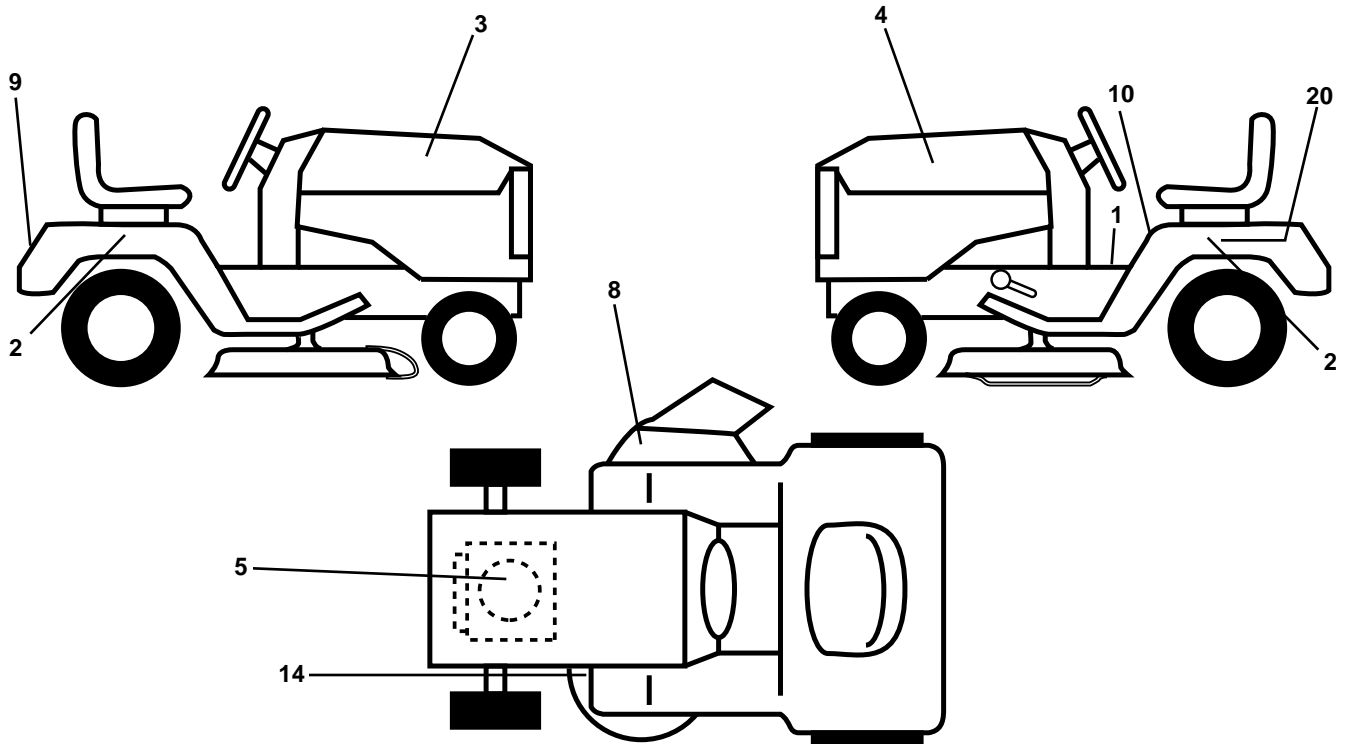
| | | |
|----|-----------|--|
| 15 | 532134300 | Spacer Split 28x 96 Yel Zinc |
| 16 | 532121250 | Spring Cprsn 1 27 Blk Pnt |
| 17 | 532123976 | Nut Lock 1/4 Lge Flg Gr 5 Zinc |
| 21 | 532153236 | Bolt Shoulder 5/16-18 Unc |
| 22 | 873800500 | Nut Hex Lock W/Ins 5/16-18 |
| 23 | 874780814 | Bolt, Hex Head, Fin 1/2-13 x 7/8 Grade 5 |
| 24 | 819171912 | Washer 17/32 X 1-3/16 X 12 Ga. |
| 25 | 532127018 | Bolt Shoulder 5/16-18 X 62 |
| 26 | 810040800 | Washer Lock |

NOTE: All component dimensions given in U.S. inches.
1 inch = 25.4 mm

REPAIR PARTS

TRACTOR - MODEL NO. LTH120 (954140003F), PRODUCT NO. 954 14 00-03

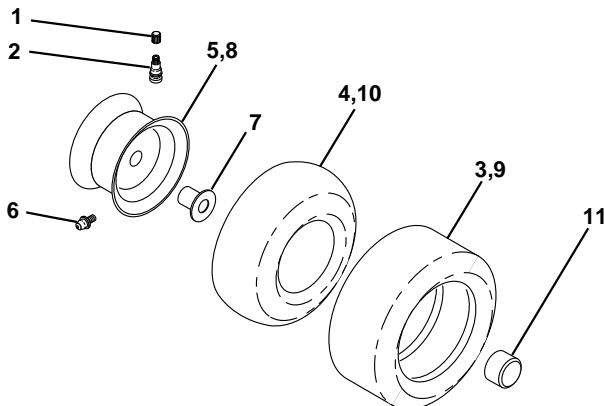
DECALS



| KEY NO. | PART NO. | DESCRIPTION |
|---------|-----------|-------------------------------|
| 1 | 532157032 | Decal Oper. Step Thru Eng/Fr |
| 2 | 532157007 | Decal Fender Auto Husq Radius |
| 3 | 532157193 | Decal Hood RH |
| 4 | 532157195 | Decal Hood LH |
| 5 | 532166100 | Decal HP Engine |
| 8 | 532137259 | Decal Warning |
| 9 | 532150617 | Decal Fender Husq |
| 10 | 532157140 | Decal Fender Danger Eng/Fr |
| 14 | 532136832 | Decal V-Belt Schematic |
| 20 | 532145005 | Decal Bat Dan/Psn |

| KEY NO. | PART NO. | DESCRIPTION |
|--|------------------|--------------------------------|
| -- | 532154515 | Pad Footrest LH STLT |
| -- | 532154516 | Pad Footrest RH STLT |
| -- | 532138311 | Decal Handle Lft Height Adjust |
| -- | 532142341 | Decal Drawbar Cntrl Mvt Hyd |
| -- | 532168437 | Manual Owner's (English) |
| -- | 532168438 | Manual Owner's (French) |
| Available accessories not included with tractor: | | |
| -- | MK380 | Mulcher Kit with Blades |
| -- | C38 | Grass Catcher |

WHEELS & TIRES

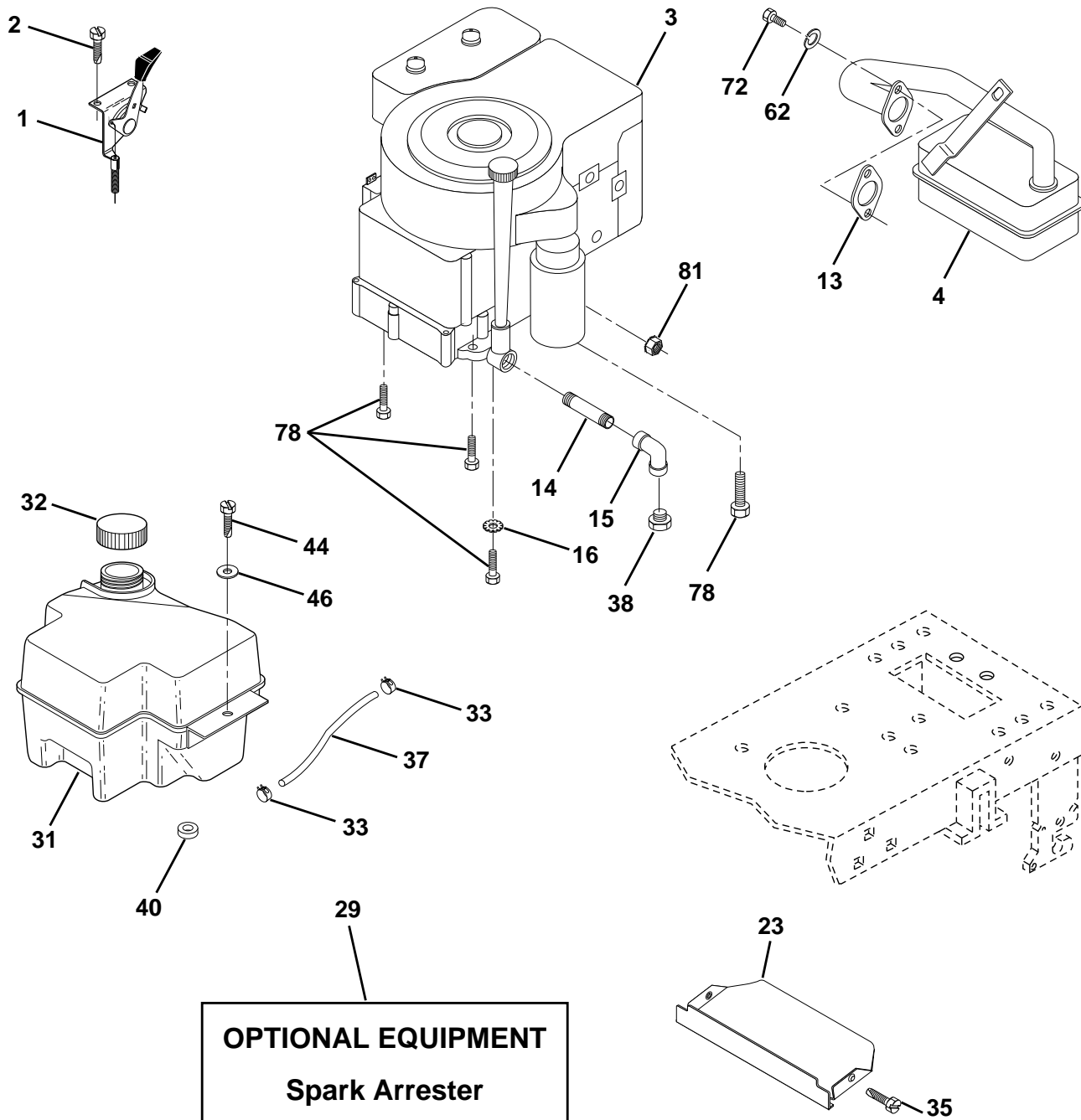


| KEY NO. | PART NO. | DESCRIPTION |
|---------|-----------|-----------------------------------|
| 1 | 532059192 | Cap Valve Tire |
| 2 | 532065139 | Stem Valve |
| 3 | 532106222 | Tire F Ts 15 X 6 0 - 6 Service |
| 4 | 532059904 | Tube Front (Service Item Only) |
| 5 | 532138336 | Rim Asm 6"front Silver Service |
| 6 | 532124957 | Fitting Grease (Front Wheel Only) |
| 7 | 532124959 | Bearing Flange (Front Wheel Only) |
| 8 | 532138337 | Rim Asm 8"rear Silver Service |
| 9 | 532124635 | Tire R Ts 18x8 5-8 C Service |
| 10 | 532124926 | Tube Rear (Service Item Only) |
| 11 | 532104757 | Cap Axle Blk 1 50 X 1 00 |
| -- | 532144334 | Sealant, Tire (10 oz. Tube) |

NOTE: All component dimensions given in U.S. inches
1 inch = 25.4 mm

REPAIR PARTS

TRACTOR - MODEL NO. LTH120 (954140003F), PRODUCT NO. 954 14 00-03
ENGINE



REPAIR PARTS

TRACTOR - MODEL NO. LTH120 (954140003F), PRODUCT NO. 954 14 00-03

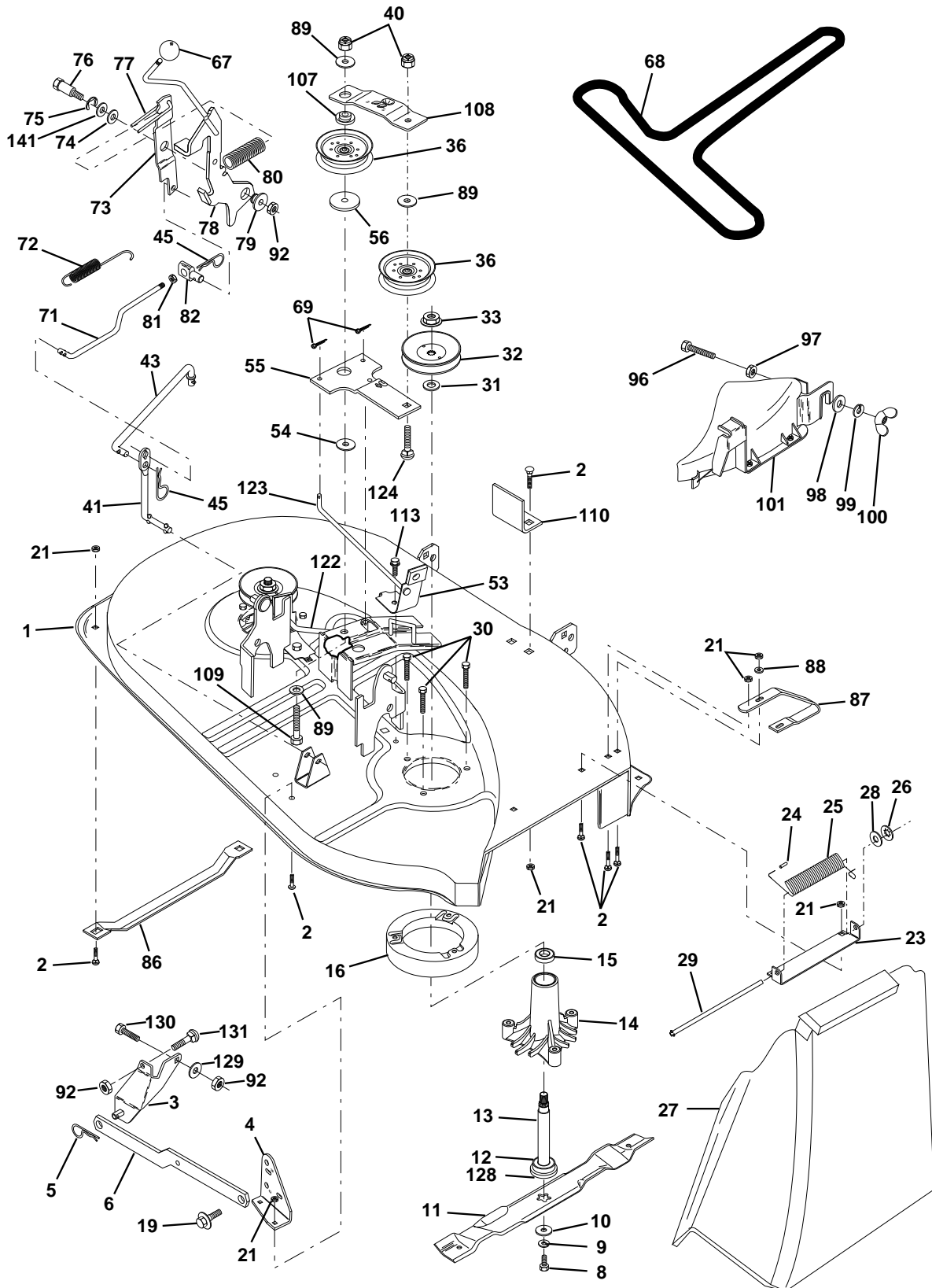
ENGINE

| KEY NO. | PART NO. | DESCRIPTION |
|---------|-----------|---|
| 1 | 532140310 | Control Th/ch 23 5 LH Flag |
| 2 | 817720410 | Screw Hex Thd Cut 1/4-20x5/8 T |
| 3 | ----- | Engine, Briggs 289707 (Order parts from engine manufacturer) |
| 4 | 532137348 | Muffler LT B&S 12/12.5/13HP |
| 13 | 532165291 | Gasket Eng 1 313 Id Tin Plated |
| 14 | 813280324 | Nipple Pipe 3/8 Npt X 3" |
| 15 | 813200300 | Elbow Std 90 Degree 3/8-18 Npt |
| 16 | 811050600 | Washer Lock Ext Tooth 3/8 |
| 23 | 532159880 | shield Brn/Dbr Guard |
| 29 | 532137180 | Kit Spark Arrestor (Flat Scrn) |
| 31 | 532161911 | Tank Fuel Front 2 00 |
| 32 | 532140527 | Cap Asm Fuel W/sym Vented |
| 33 | 532123487 | Clamp Hose Black |
| 35 | 817490512 | Screw |
| 37 | 532137040 | Line Fuel 20" |
| 38 | ----- | Plug Oil Drain (Order From Engine Manufacturer) |
| 40 | 532124028 | Bushing Snap Nyl Blk Fuel Line |
| 44 | 817490412 | Screw Hexwsh Thdrol 1/4-20x3/4 |
| 46 | 819091416 | Washer 9/32 X 7/8 X 16 Ga |
| 62 | 810040500 | Washer Lock Hvy Hlcl Spr 5/16 |
| 72 | 871070512 | Screw Hexhd Cap 5/16-18x 3/4 |
| 78 | 817490620 | Screw Thdrol 3/8-16x1-1/4 TYTT |
| 81 | 532128861 | Nut Flange 1/4-20 Starter Nut |

NOTE: All component dimensions given in U.S. inches
1 inch = 25.4 mm

REPAIR PARTS

TRACTOR - MODEL NO. LTH120 (954140003F), PRODUCT NO. 954 14 00-03
MOWER DECK



REPAIR PARTS

TRACTOR - MODEL NO. LTH120 (954140003F), PRODUCT NO. 954 14 00-03

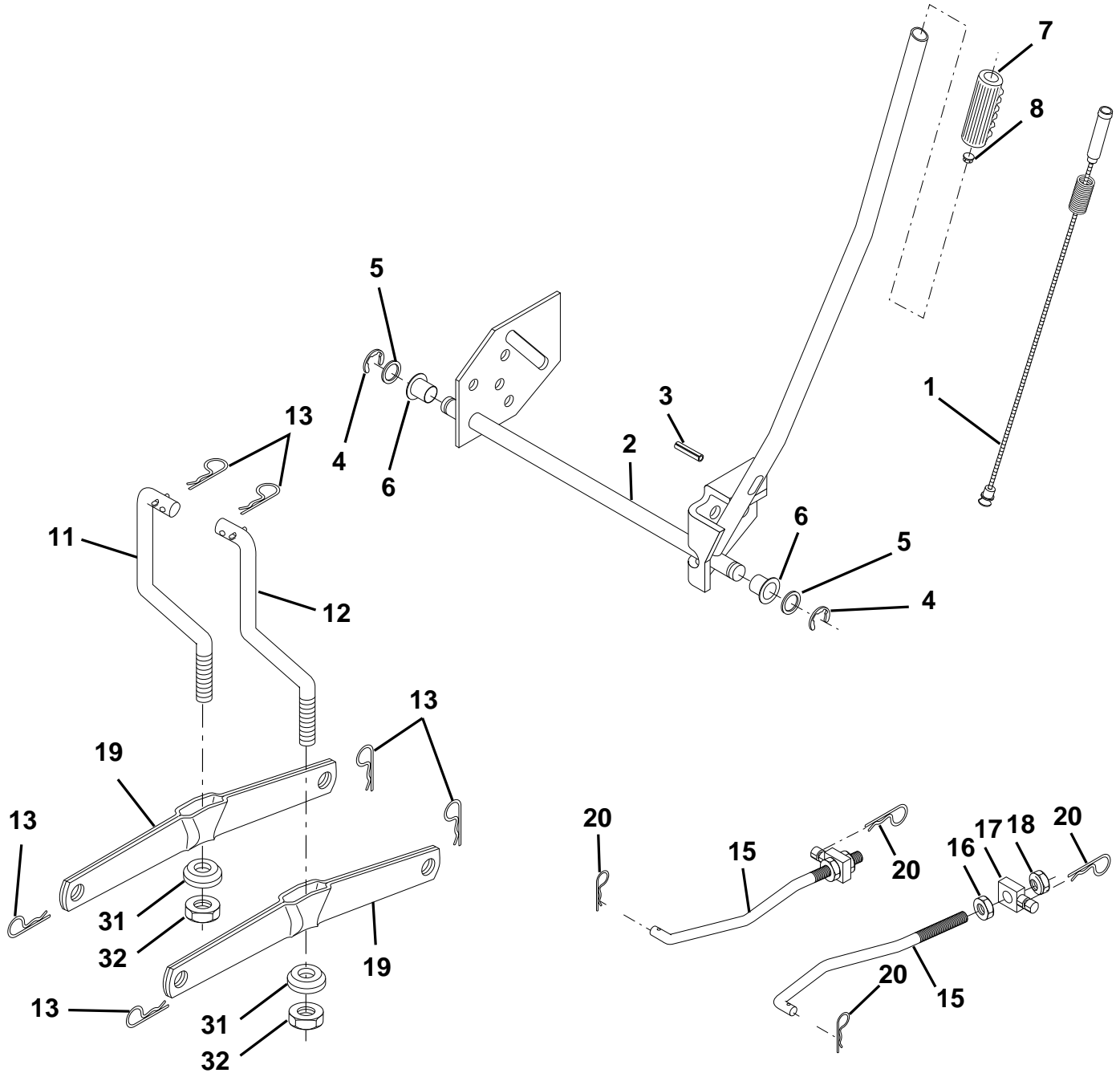
MOWER DECK

| KEY NO. | PART NO. | DESCRIPTION | KEY NO. | PART NO. | DESCRIPTION |
|---------|-----------|----------------------------------|---------|-----------|---|
| 1 | 532142829 | Deck Asm Weldment | 73 | 532127847 | Arm Clutch Secondary |
| 2 | 872140506 | Bolt Rdhd Sqnk 5/16-18unc X3/4 | 74 | 532121748 | Washer 25/32 X 1-5/8 X 16 Ga |
| 3 | 532138017 | Bracket Asm Fr Sway Bar 38/42 | 75 | 812000029 | Ring Klip #t5304-75 |
| 4 | 532138440 | Bracket Asm Deck Sway Bar | 76 | 532128903 | Bolt Shoulder 3/8-16 Unc 1 44 |
| 5 | 532124670 | Retainer Spring | 77 | 532127845 | Keeper Spring 4 000 |
| 6 | 532130832 | Arm Suspension Rear | 78 | 532160570 | Arm Asm Clutch Primary |
| 8 | 532850857 | Bolt 3/8 - 24 X 1.25 Gr 8 | 79 | 532127498 | Bushing 747 Od X 794 Lg Brass |
| 9 | 810030600 | Washer Lock Hvy 3/8 | 80 | 532153701 | Spring Clutch Mower |
| 10 | 532140296 | Washer Hard Blade Mower Vented | 81 | 873350600 | Nut Hex Jam 3/8-16 |
| 11 | 532134148 | Blade Mower Mulching 38" | 82 | 532142028 | Trunnion Adj 94 |
| 12 | 532129895 | Bearing Ball #6024 (Mandrel) | 86 | 532125074 | Runner, LH |
| 13 | 532137645 | Shaft Asm W/lower Bearing | 87 | 532128772 | Runner, RH |
| 14 | 532128774 | Housing Mandrel Vented | 88 | 819111216 | Washer 11/32 x 3/4 x 16 Ga. |
| 15 | 532110485 | Bearing Ball Mandrel | 89 | 819131612 | Washer 13/32 x 1 x 12 Ga. |
| 16 | 532140329 | Stripper Mower Vented | 92 | 873800600 | Nut Lock Hex W/Ins 3/8-16 Unc |
| 19 | 532132827 | Bolt Shoulder | 96 | 874930620 | Bolt 3/8-16 x 1-1/4 Mulcher |
| 21 | 873680500 | Nut Crownlock 5/16-18 UNC | 97 | 873930600 | Nut Crownlock 3/8-16 UNC |
| 23 | 532137607 | Bracket Deflector Mower | 98 | 819132016 | Washer 13/32 x 1-1/4 x 16 Ga. |
| 24 | 532105304 | Cap Sleeve 80x 112 Blk Mower | 99 | 810040600 | Washer Lock Hvy Hlcl Spr 3/8 |
| 25 | 532123713 | Spring Torsion Deflector 2 52 | 100 | 532135651 | Nut Wing |
| 26 | 532110452 | Nut Push Phos & Oil | 101 | 532132803 | Cover Asm Mulching 38" |
| 27 | 532106736 | Shield Deflector | 107 | 532133502 | Spacer, Retainer |
| 28 | 819111016 | Washer 11/32 X 5/8 X 16 Ga | 108 | 532133503 | Stiffener, Idler Arm |
| 29 | 532106735 | Rod Hinge | 109 | 874760640 | Bolt, Hex Head 3/8-16 x 2-1/2 |
| 30 | 532157722 | Screw Thdrol Rolling Washer Head | 110 | 532142587 | Upstop Deck Front 38" |
| 31 | 532129963 | Washer Spacer Mower Vented | 113 | 817490512 | Screw Thdrol 5/16-18 X 3/4 |
| 32 | 532153532 | Pulley Mandrel | 122 | 532131289 | Rod, Brake, LH |
| 33 | 532137266 | Nut 9/16 Toplock Flng Oil Dip | 123 | 532131288 | Rod, Brake, RH |
| 36 | 532131494 | Pulley Idler Flat 3 060 | 124 | 872110614 | Bolt, Carriage 3/8-16 x 1-3/4 |
| 40 | 873680600 | Nut Crownlock 3/8-16 UNC | 128 | 532153390 | Washer Felt |
| 41 | 532133551 | Rod Pivot W/nibs | 129 | 819131312 | Washer 13/32 x 13/16 x 12 Ga. |
| 43 | 532133504 | Rod Clutch Secondary | 130 | 874780616 | Bolt, Fin Hex 3/8-16 UNC x 1 Gr. 5 |
| 45 | 532124788 | Spring Retainer 1" Zinc/cad | 131 | 872140608 | Bolt, Rdhd Sqnk 3/8-16 x 1 |
| 53 | 532130840 | Asm Brake | 141 | 532124931 | Washer Thrust .75 x 1.230 |
| 54 | 532133943 | Washer Hardened | -- | 532130794 | Mandrel Asm Service (Includes Key Nos. 8-10, 12-15, 31 and 33) |
| 55 | 532133840 | Arm Idler | -- | 532142820 | Mower Deck Complete (Std. Deck - order separately mulcher plate components key nos. 96-101) |
| 56 | 532122052 | Spacer Retainer Pm Mower | | | |
| 67 | 532162132 | Knob Rd 7/16-14 Plstc Thds Blk | | | |
| 68 | 532144200 | V-Belt Mower | | | |
| 69 | 876020312 | Pin, Cotter 3/32 x 3/4 | | | |
| 71 | 532142427 | Rod Clutch Primary 38/42 | | | |
| 72 | 532131870 | Spring Return | | | |

NOTE: All component dimensions given in U.S. inches
1 inch = 25.4 mm

REPAIR PARTS

TRACTOR - MODEL NO. LTH120 (954140003F), PRODUCT NO. 954 14 00-03
MOWER LIFT



REPAIR PARTS

TRACTOR - MODEL NO. LTH120 (954140003F), PRODUCT NO. 954 14 00-03
MOWER LIFT

| KEY NO. | PART NO. | DESCRIPTION |
|---------|-----------|------------------------------|
| 1 | 532159460 | Wire Asm Inner W/plunger LT |
| 2 | 532159471 | Shaft Asm Lift |
| 3 | 532105767 | Pin Groove |
| 4 | 812000002 | E Ring #5133-62 |
| 5 | 819211621 | Washer PLTD 21/32 X 1 X 21ga |
| 6 | 532120183 | Bearing Nylon Blk 629 Id |
| 7 | 532109413 | Grip Handle Bicycle |
| 8 | 532124526 | Button Plunger Black |
| 11 | 532139865 | Link Lift LH |
| 12 | 532139866 | Link Lift RH |
| 13 | 532124670 | Retainer Spring |
| 15 | 532127218 | Link Front |
| 16 | 873350800 | Nut Jam Hex 1/2-13 Unc |
| 17 | 532130171 | Trunnion Blk Zinc |
| 18 | 873680800 | Nut Crownlock 1/2-13 Unc |
| 19 | 532139868 | Arm Suspension Rear |
| 20 | 532163552 | Spring, Retainer |
| 31 | 532140302 | Bearing Pvt. Lift Spherical |
| 32 | 873540600 | Nut Crownlock 3/8-24 |

NOTE: All component dimensions given in U.S. inches
1 inch = 25.4 mm