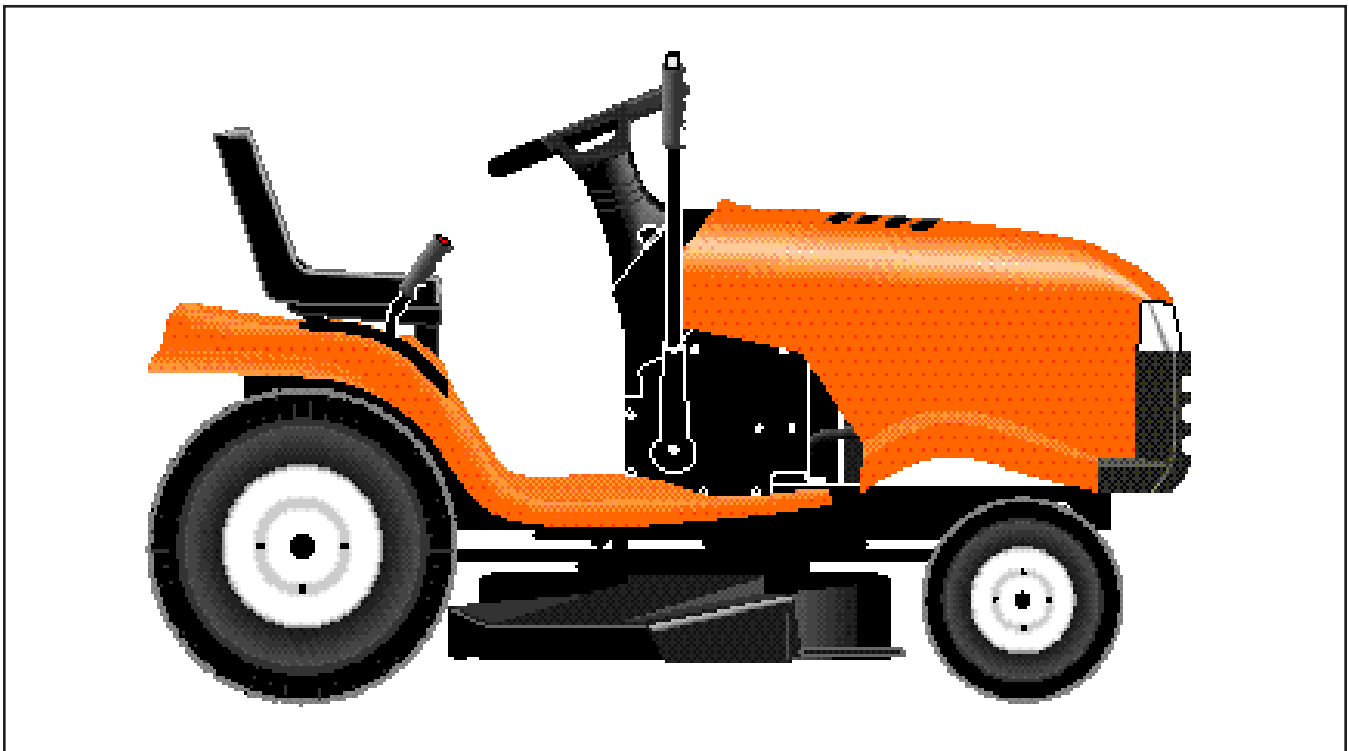


LTH 120

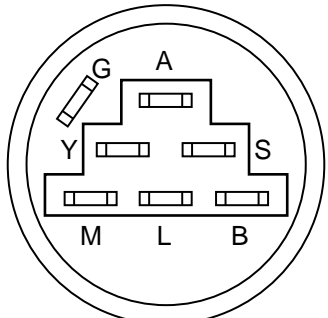
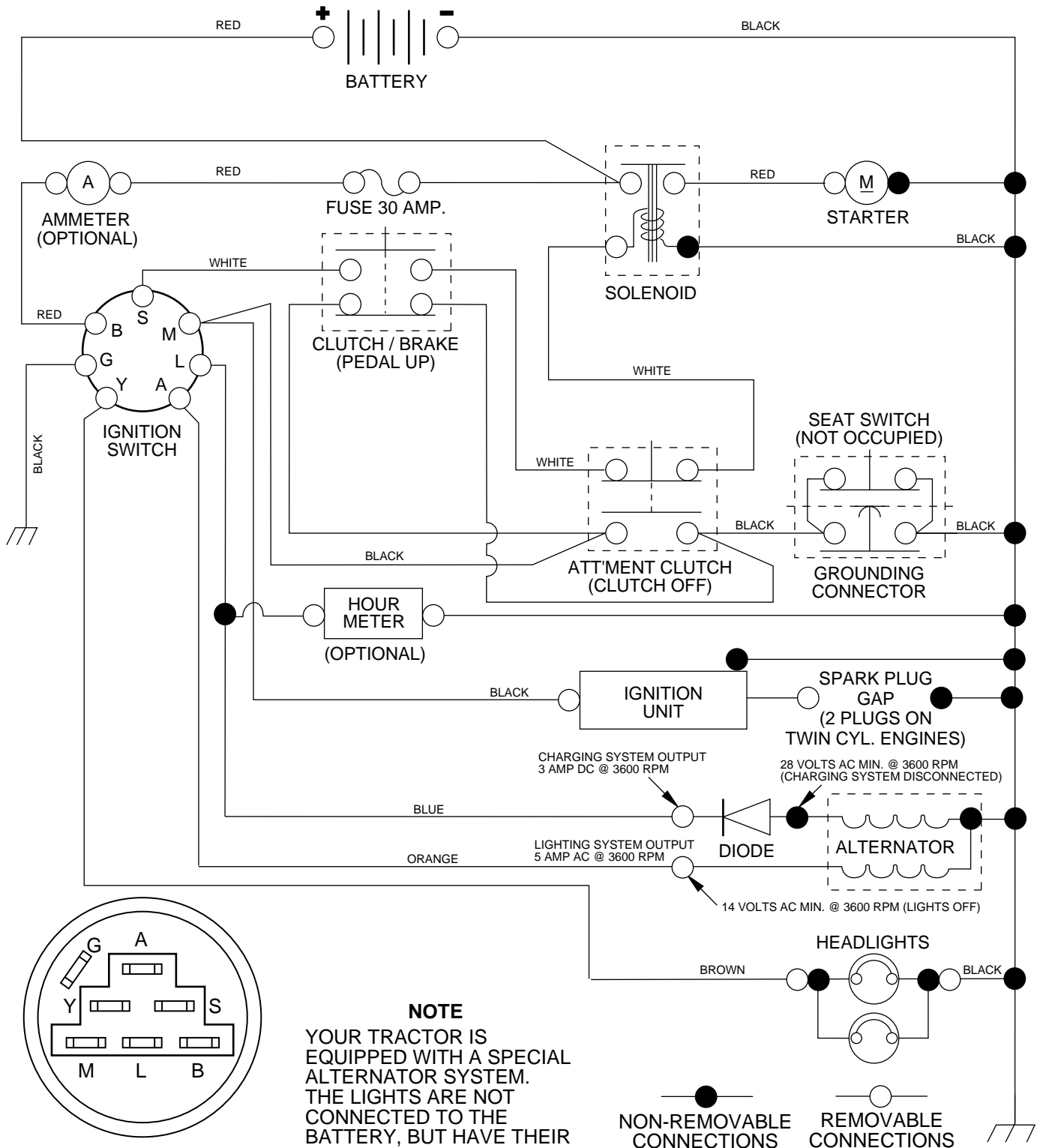


Ride Mower

HCLTH120B

TRACTOR - MODEL NO. LTH120 (HCLTH120B), PRODUCT NO. 954 1400-03

SCHEMATIC



IGNITION SWITCH

POSITION	CIRCUIT	"MAKE"
OFF	G + M + L	NONE
RUN/LIGHT	B + L	A + Y
RUN	B + L	NONE
START	B + L + S	NONE

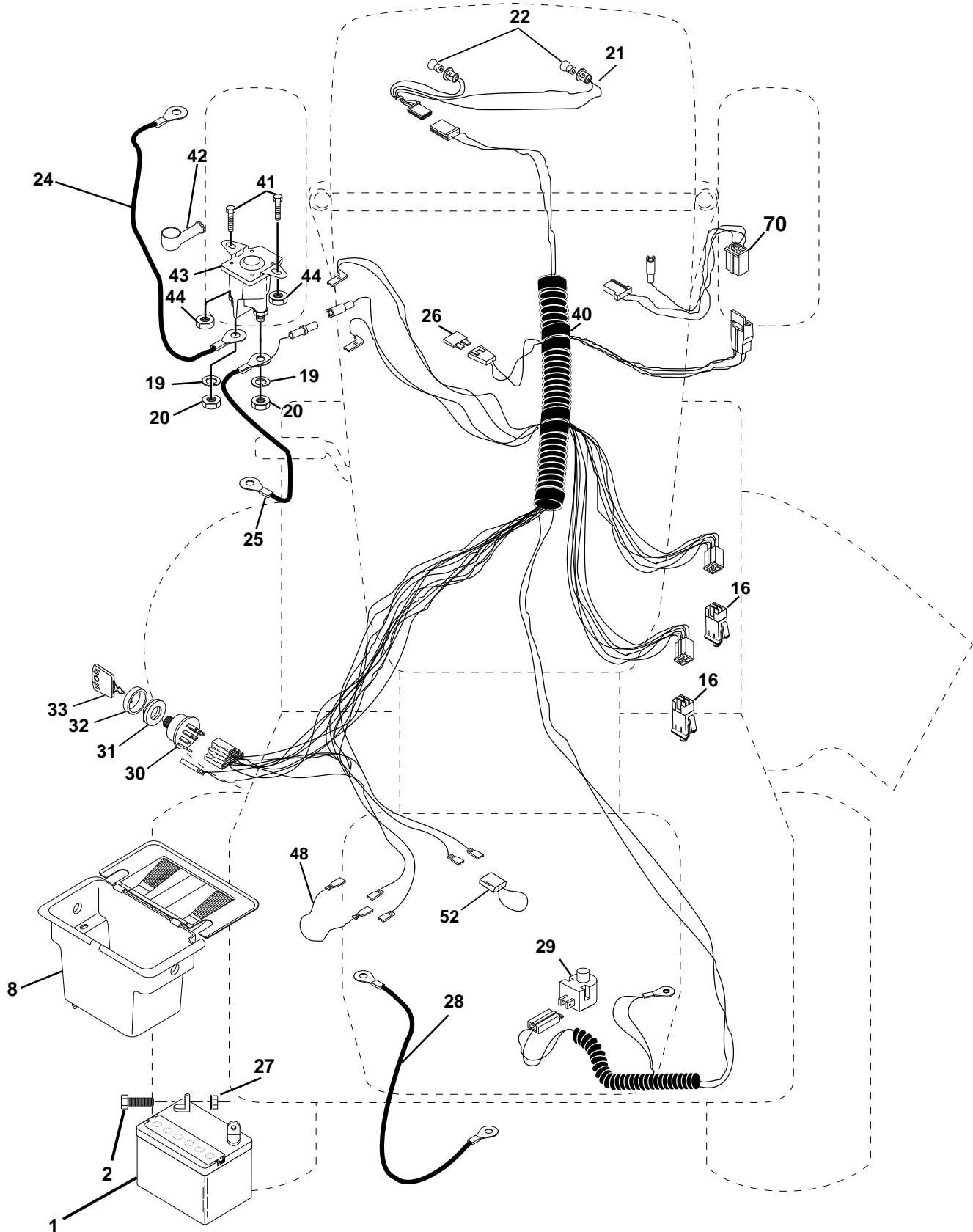
NOTE
 YOUR TRACTOR IS EQUIPPED WITH A SPECIAL ALTERNATOR SYSTEM. THE LIGHTS ARE NOT CONNECTED TO THE BATTERY, BUT HAVE THEIR OWN ELECTRICAL SOURCE. BECAUSE OF THIS, THE BRIGHTNESS OF THE LIGHTS WILL CHANGE WITH ENGINE SPEED. AT IDLE THE LIGHTS WILL DIM. AS THE ENGINE IS SPEEDED UP, THE LIGHTS WILL BECOME THEIR BRIGHTEST.

WIRING INSULATED CLIPS
NOTE: IF WIRING INSULATED CLIPS WERE REMOVED FOR SERVICING OF UNIT, THEY SHOULD BE REPLACED TO PROPERLY SECURE YOUR WIRING.

REPAIR PARTS

TRACTOR - MODEL NO. LTH120 (HCLTH120B), PRODUCT NO. 954 1400-03

ELECTRICAL



REPAIR PARTS

TRACTOR - MODEL NO. LTH120 (HCLTH120B), PRODUCT NO. 954 1400-03

ELECTRICAL

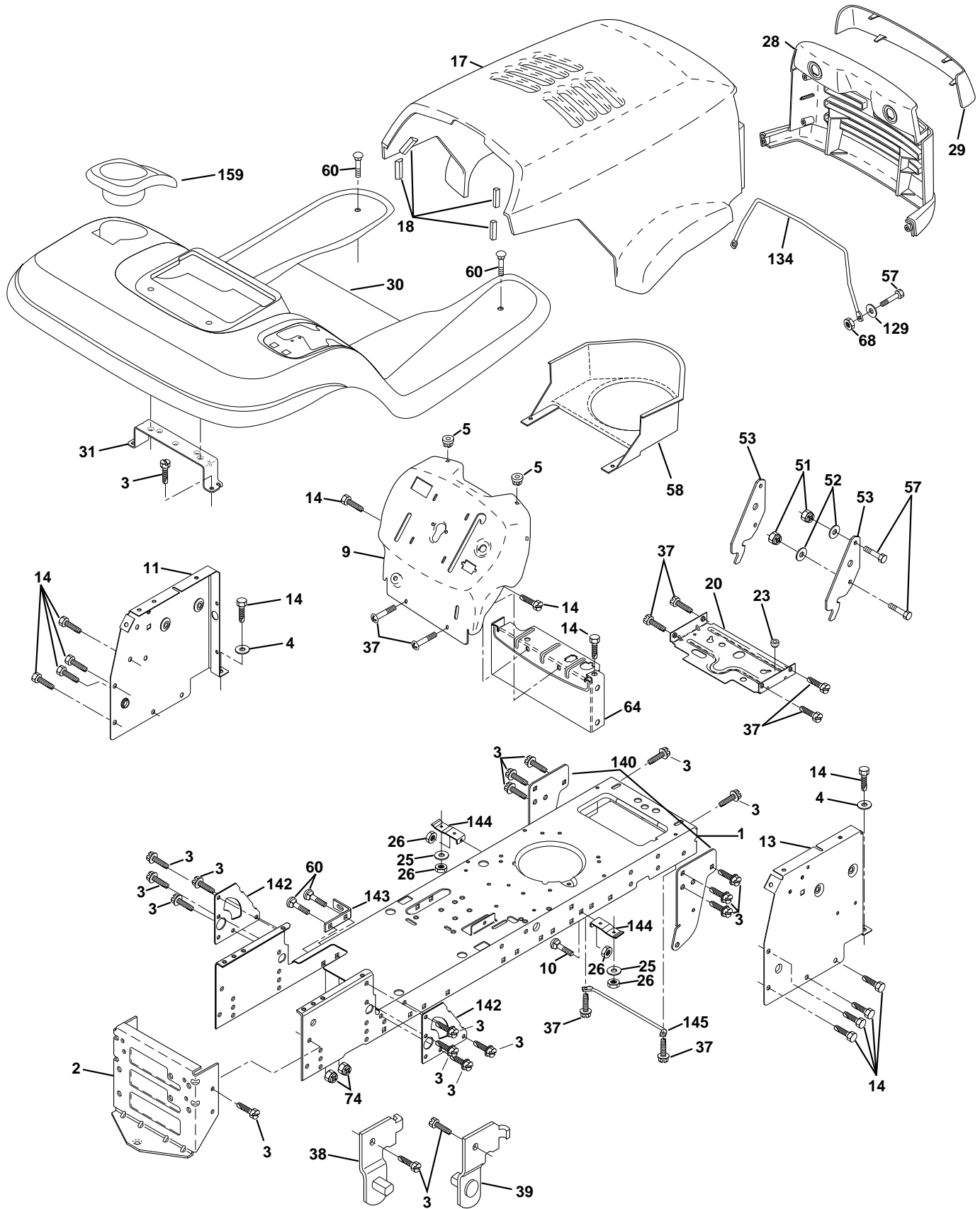
KEY NO.	PART NO.	DESCRIPTION
1	532144925	Battery 12 Volt 25 AMP
2	874760412	Bolt Hex Hd 1/4-20unc X 3/4
8	532156417	Case Battery Mech Hinge
16	532153664	Switch Interlock Push-In
19	810090400	Washer Lock 1/4
20	873350400	Nut Jam Hex 1/4-20 Unc
21	532166181	Harness Asm Light W/4152j
22	532004152	Bulb Light #1156
24	532124780	Cable Battery 6 Ga 11" red
25	532146147	Cable Battery 6 Ga 44" red w/16 wire
26	532166180	Fuse 15 AMP
27	873510400	Nut Keps Hex 1/4-20 Unc
28	532124773	Cable Ground 6 Ga 12" black
29	532121305	Switch Plunger Nc Gray
30	532140301	Switch Ign 4 pos w/lights
31	532124211	Nut Ignition
32	532141226	Cover Sw Ignition
33	532122147	Key Ign Modelled Generic
40	532166145	Harness Ign.
41	871110408	Bolt Blk Fin Hex 1/4 - 20 x 1/2
42	532131563	Cover Terminal Red
43	532145673	Solenoid
44	873640400	Nut Keps Hex 1/4-20 Unc
48	532140844	Adapter Ammeter Rectangular
52	532141940	Protection Wire Loop
70	532166658	Harness, Eng.

NOTE: All component dimensions given in U.S. inches.
1 inch = 25.4 mm.

REPAIR PARTS

TRACTOR - MODEL NO. LTH120 (HCLTH120B), PRODUCT NO. 954 1400-03

CHASSIS AND ENCLOSURES



REPAIR PARTS

TRACTOR - MODEL NO. LTH120 (HCLTH120B), PRODUCT NO. 954 1400-03

CHASSIS AND ENCLOSURES

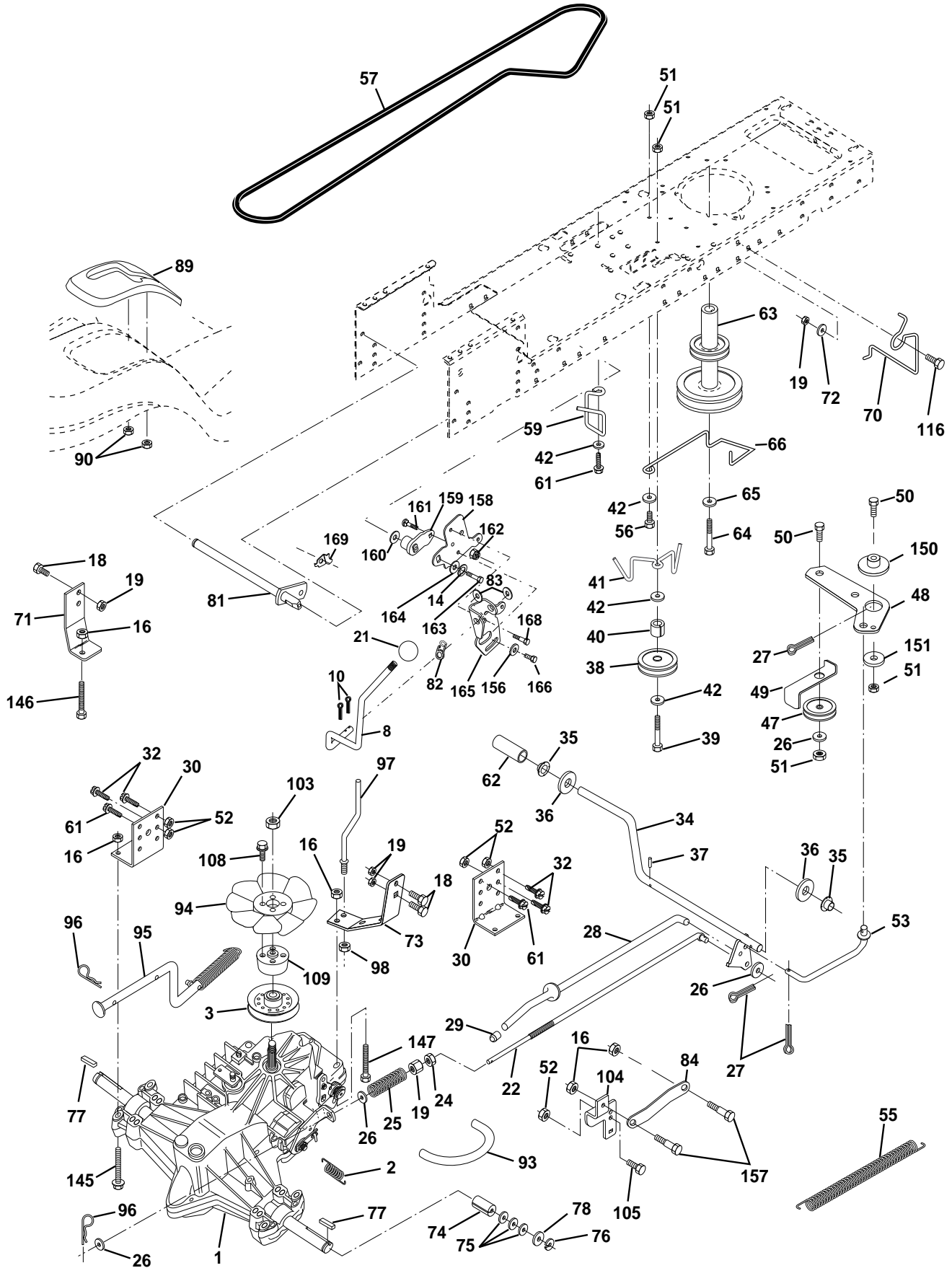
KEY NO.	PART NO.	DESCRIPTION
1	532165583	Chassis Weldment
2	532140356	Drawbar, Stretch
3	817490612	Screw Thdrol 3/8-16x3/4 Ty-tt
4	819131216	Washer 13/32 x 3/4 x 16 Ga.
5	532155272	Bumper Hood/Dash
9	532162742	Dash P/L M, Slkscr Mech Na N/HM
10	872140608	Bolt Carriage 3/8-16 x 1
11	532155927	Panel Dash Lh
13	532157262	Panel Dash Rh
14	817490608	Screw Thdrol 3/8-16x1/2 Ty-tt
17	532165378	Hood LT/PL Husqvarna
18	532126938	Bumper Hood
20	532156437	Plate Mtg Battery Fuel Tank Fr
23	532124028	Bushing
25	819131312	Washer 13/32 X 13/16 X 12 Ga
26	873800600	Nut Lock Hex W/Ins 3/8-16 Unc
28	532165379	Grille LT/PL Husqvarna
29	532165380	Lens LT/PL Husqvarna
30	532166505	Fender Footrest STLT Pnt
31	532139976	Bracket Support Fender
37	817490508	Screw Thdrol 6/16-18 x 1/2 TYT
38	532139886	Bracket, Asm. Pivot, L.H., Mower Rear
39	532139887	Bracket, Asm. Pivot, R.H., Mower Rear
51	873800400	Nut Lock Hex W/Ins 1/4-20
52	819091416	Washer 9/32 x 7/8 x 16 Ga.
53	532150067	Bracket Pnt. Pick off LT/PL Husqvarna
57	874780412	Bolt Hex 1/4-20 x 3/4
58	532150127	Air Duct Engine P/L
60	872140606	Bolt Rdhd Sqnk 3/8-16unc x 3/4
64	532154798	Dash Lower STLT
68	873510400	Nut Keps Hex 1/4-20 Unc
74	873680600	Nut Crownlock 3/8-16 UNC
129	819091016	Washer 9/32 x 5/8 x 16 Ga.
134	532160219	Rod Support Hood LT/PL Husq.
140	532158418	Bracket Suspension Front
142	532156867	Plate Reinforcement STLT
143	532154966	Bracket Swaybar Chassis
144	532154207	Bracket Pnt Footrest STLT
145	532156524	Rod Pivot Chassis/Hood
159	532166508	Cupholder STLT Grey
--	532005479	Plug Button

NOTE: All component dimensions given in U.S. inches
1 inch = 25.4 mm

REPAIR PARTS

TRACTOR - MODEL NO. LTH120 (HCLTH120B), PRODUCT NO. 954 1400-03

DRIVE



REPAIR PARTS

TRACTOR - MODEL NO. LTH120 (HCLTH120B), PRODUCT NO. 954 1400-03

DRIVE

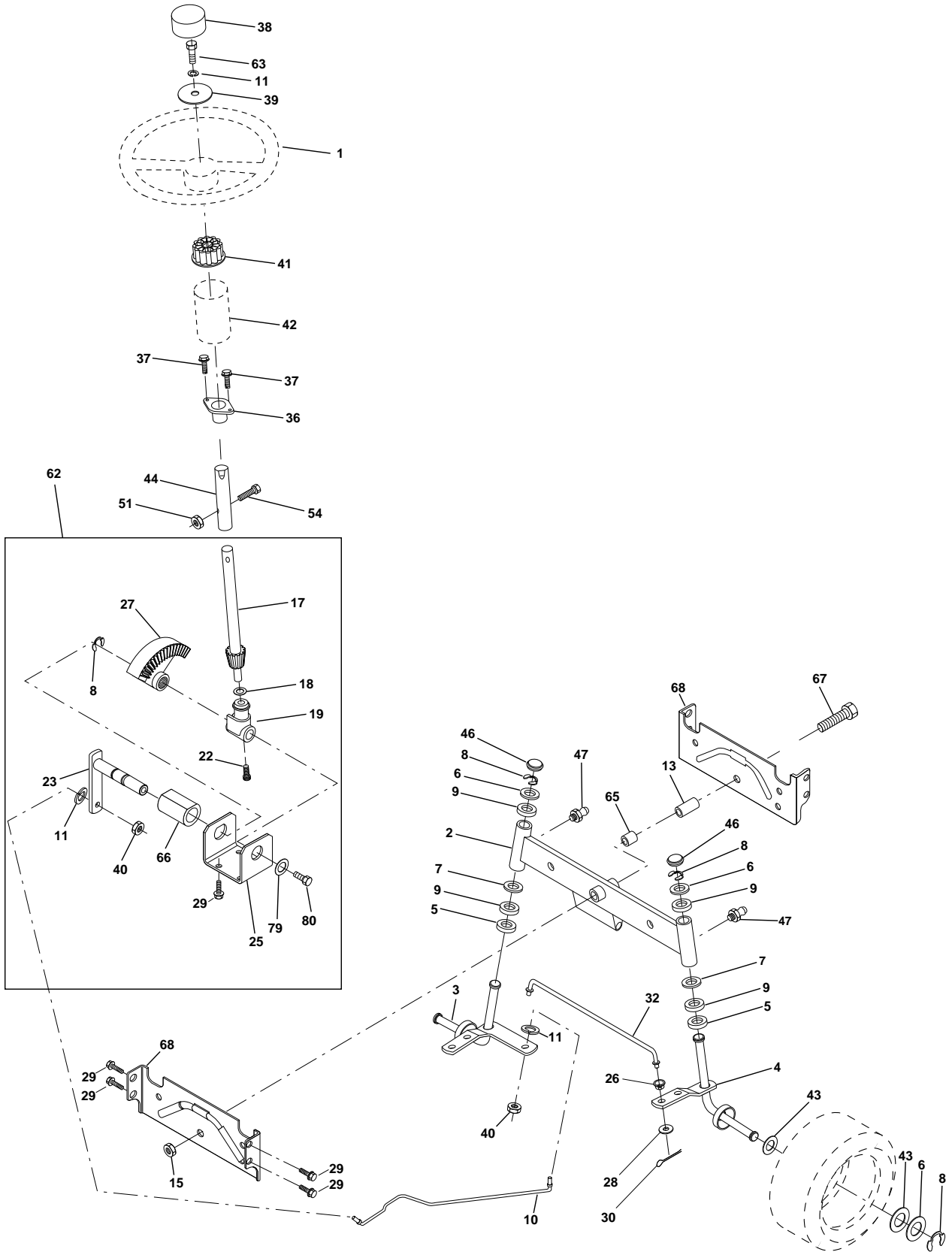
KEY NO.	PART NO.	DESCRIPTION	KEY NO.	PART NO.	DESCRIPTION
1	532140607	Transaxle Assy HydroGear 310-0500	76	812000001	E-Ring
2	532142431	Spring, Return, Brake	77	532123583	Key, Square
3	532144698	Pulley, Transaxle	78	532121748	Washer 25/32 x 1-5/8 x 16 Gauge
8	532165866	Rod Shift Fender Adjust	81	532165595	Shaft Asm. Cross Tapered
10	876020416	Pin Cotter 1/8 x 1 CAD	82	532165711	Spring Torsion T/A
14	810040400	Washer Lock Hvy Helical	83	819171216	Washer 17/32 x 3/4 x 16 Ga.
16	873800500	Nut Lock Hex W/Ins 5/16-18 Unc P	84	532165816	Link Transaxle
18	874780616	Bolt Fin Hex 3/8-16 Unc x 1 Gr. 5	86	532157480	Bushing
19	873800600	Nut Lock Hex W/Wsh 3/8-16 Unc	87	819212016	Washer 21/32 x 1-1/4 x 16 Ga.
21	532121274	Knob 1/2-13	88	812000008	Ring Klip #5304-62
22	532145627	Rod, Brake Hydro	89	532166510	Console, Shift Hydro STLT
24	873350600	Nut	90	532124346	Nut Self-Thd Wsh-Hd 1/4 Zinc
25	532106888	Spring, Brake Rod	93	532142564	Line Fuel Hydro 4"
26	819131316	Washer	94	532140462	Fan, Hydro 7"
27	876020412	Pin Cotter 1/8 x 3/4 CAD.	95	532144643	Control Asm. Bypass Hydro
28	532145204	Rod, Parking Brake	96	532124788	Retainer Spring 1" Zinc/Cad
29	532071673	Cap, Parking Brake	97	532144201	Keeper Belt Rh Hydro 500
30	532130807	Bracket, Transaxle	98	873510600	Nut Keps Hex 3/8-16 Unc
32	874760512	Bolt Hex Hd 5/16-18 Unc x 3/4	100	819111216	Washer 11/32 x 3/4 x 16 Ga.
34	532155071	Shaft, Foot Pedal	103	873940800	Nut, Hex Jam Toplock 1/2-20 Unf
35	532120183	Bearing, Nylon	104	532141421	Arm, Control Pump
36	819211616	Washer	105	871070516	Screw Cap Hex 5/16 x 18 x 1
37	532124963	Pin, Roll	106	874780520	Bolt Fin Hex 5/16-18 Unc x 1-1/4
38	532131494	Pulley, Idler, Flat	108	817541026	Screw Hex Wh Hd #10-24 x 1-5/8
39	874760644	Bolt	109	532145098	Adaptor Fan/Hydro Lt Hyd Alum
40	532124965	Spacer, Split	116	872110610	Bolt, RDHD SQ Neck 3/8-16 x 1.25
41	532165838	Keeper, Belt Retainer	144	819111016	Washer 11/32 x 5/8 x 16 Ga.
42	819131312	Washer 13/32 x 13/16 x 12 Gauge	145	874490540	Bolt Hex Flghd 5/16-18 x Gr. 5
47	532127783	Pulley, Idler, V-Groove	146	874490536	Bolt Hex FlgHd 5/16-18 x 2-1/4
48	532154407	Bellcrank Clutch Grnd Drv STL	147	874490524	Bolt Hex FlgHd 5/16-18 x 1-1/2
49	532123205	Retainer, Belt	148	532159103	Spacer
50	874760624	Bolt	149	532122052	Spacer Retainer PM Mower
51	873680600	Nut Crownlock 3/8-16	150	532165850	Bushing Bellcrank Grd Drive
52	873680500	Nut Crownlock 5/16-18	151	819133210	Washer 13/32 x 2 x 10 Ga.
53	532105710	Link, Clutch	156	532166002	Washer Srrted 5/16 ID x 1.125
55	532105709	Spring, Return, Clutch	157	532153236	Bolt Shoulder 5/16-18 Unc - 2A
56	874760620	Bolt Fin Hex 3/8-16 Unc x 1-1/4	158	532165589	Bracket Shift Mount
57	532141416	V-Belt, Ground Drive	159	532165494	Hub Tapped Flange Shift Lt
59	532140312	Keeper, Center Span	160	819292016	Washer 29/32 x 1-1/4 x 16 Ga.
61	817490612	Screw Thdrol. 3/8-16 x 3/4 Ty. TT	161	872140406	Bolt Rdhd Sqnk 1/4-20 x 3/4 Gr. 5
62	532124872	Cover, Pedal	162	873680400	Nut Crownlock 1/4-20 Unc
63	532140186	Pulley, Engine Mech 38" Deg Hydro	163	874780416	Bolt Hex Fin 1/4-20 Unc x 1 Gr5
64	871170764	Bolt, Hex	164	819091010	Washer 5/8 x .281 x 10 Ga
65	810040700	Washer	165	532165623	Bracket Pivot Lever
66	532154778	Keeper, Belt Engine F-Proof	166	532166880	Screw 5/16-18 x 5/8
70	532134683	Keeper Belt Engine	168	532165492	Bolt Shoulder 5/16-18 x .561
71	532141417	Strap Torque Lh Hydro 500 18"	169	532165580	Plate Fastening
72	819132012	Washer 13/32 x 1-1/4 x 12 Gauge			
73	532141418	Strap Torque Rh Hydro 500 18"			
74	532121199	Spacer, Split			
75	532121749	Washer 25/32 x 1-1/4 x 16 Gauge			

NOTE: All component dimensions give in U.S. inches.
1 inch = 25.4 mm.

REPAIR PARTS

TRACTOR - MODEL NO. LTH120 (HCLTH120B), PRODUCT NO. 954 1400-03

STEERING ASSEMBLY



REPAIR PARTS

TRACTOR - MODEL NO. LTH120 (HCLTH120B), PRODUCT NO. 954 1400-03

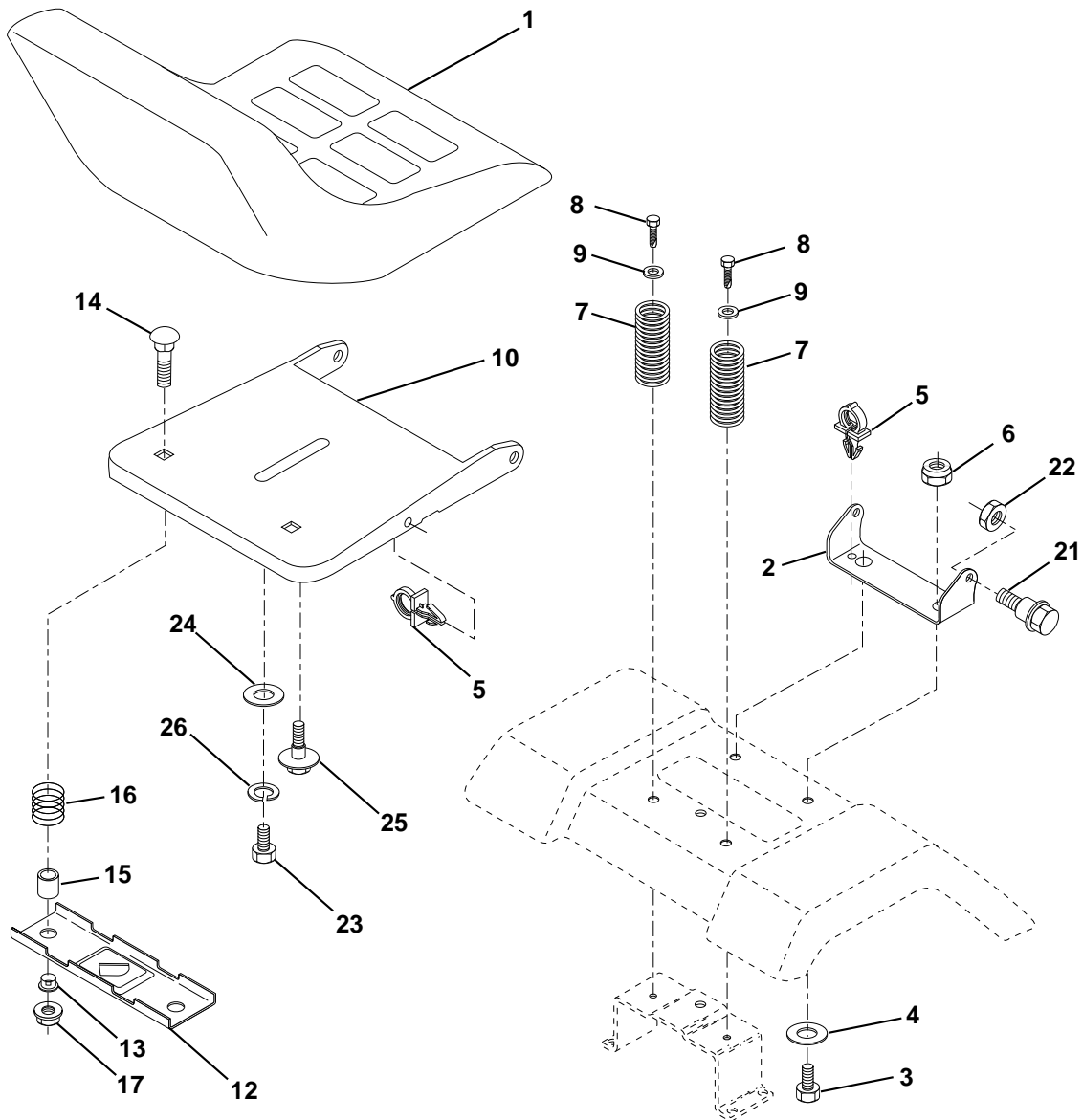
STEERING ASSEMBLY

KEY NO.	PART NO.	DESCRIPTION
1	532124415	Wheel Steering
2	532154427	Axle Asm STMP Dropped STL
3	532156483	Spindle Asm LH
4	532157473	Spindle Asm RH
5	532124931	Bearing Race Thrust Harden
6	532121748	Washer 25/32 X 1-5/8 X 16 Ga
7	819272016	Washer 27/32 X 1-1/4 X 16 Ga
8	812000029	Ring Klip #t5304-75
9	532124937	Bearing Col Strg Blk
10	532156438	Link Drag Extended Stamp
11	810040600	Washer Lock Hvy Hlcl Spr 3/8
13	532154779	Bearing Axle STLT/GT
15	873901000	Nut Lock Flange 5/8-11 Unc
17	532156546	Shaft Asm Strg
18	532057079	Washer Thrust 515x 750x 033
19	532160395	Support Shaft Steering
20	532126684	Washer Shim 1/4 X 5/8 X 062
22	532165857	Screw Hex Wshhd Torx
23	532165851	Shaft Asm Pittman
25	532154406	Bracket Steering
26	543126847	Bushing Link Drag Blk LR
27	532136874	Gear Sector
28	819131416	Washer 13/32 X 7/8 X 16 Ga
29	817490612	Screw Thdrol 3/8-16x3/4 Ty-tt
30	876020412	Pin Cotter 1/8 X 3/4 Cad
32	532130465	Rod Tie Wire Form 19 75 Mech
36	532155099	Bushing Strg
37	532152927	Screw
38	532124416	Insert Cap Strg Wh Au
39	819133808	Washer 13/32 X 2-3/8 X 8 Ga
40	532124701	Lock nut
41	532100711	Adaptor Wheel Strg
42	532155092	Boot Steering Shaft
43	532121749	Washer 25/32 X 1 1/4 X 16 Ga
44	532153720	Extension Steering Shaft LR/LT
46	532121232	Cap Spindle Fr Top Blk
47	532124836	Fitting Grease
51	873800500	Nut Lock Hex w/Ins 5/16-18
54	874780520	Bolt Fin Hex 5/16-18 Unc x 1-1/4
62	532156594	Kit, Steering Assembly Svc
63	874780616	Bolt Fin Hex 3/8-16unc x 1 Gr. 5
65	532154780	Spacer Axle
66	532154404	Bearing Arm Pittman
67	874781044	Bolt, Fin Hex 5/8-11 UNC x 2-3/4
68	532154429	Axle, Brace
79	819132012	Washer 13/32 x 1-1/4 x 12 Ga
80	874950612	Bolt Hex Nylon 3/8-16 x 3/4

NOTE: All component dimensions given in U.S. inches.
1 inch = 25.4 mm.

REPAIR PARTS

TRACTOR - MODEL NO. LTH120 (HCLTH120B), PRODUCT NO. 954 1400-03
SEAT ASSEMBLY



KEY PART NO. NO.

DESCRIPTION

1	532140838	Seat
2	532140551	Bracket Pivot Seat 8 720
3	874760616	Bolt Fin Hex 3/8-16unc X 1
4	819131610	Washer 13/32 X 1 X 10 Ga
5	532145006	Clip Push-In
6	873800600	Nut Hex w/Ins. 3/8-16 Unc
7	532124181	Spring Seat Cprsn 2 250 Blk Zi
8	817490616	Screw Thdrol 3/8-16 X 1 Ty-tt
9	819131614	Washer 13/32 X 1 X 14 Ga.
10	532155925	Pan Seat
12	532121246	Bracket Mounting Switch
13	532121248	Bushing Snap Blk Nyl 50 Id

KEY PART NO. NO.

DESCRIPTION

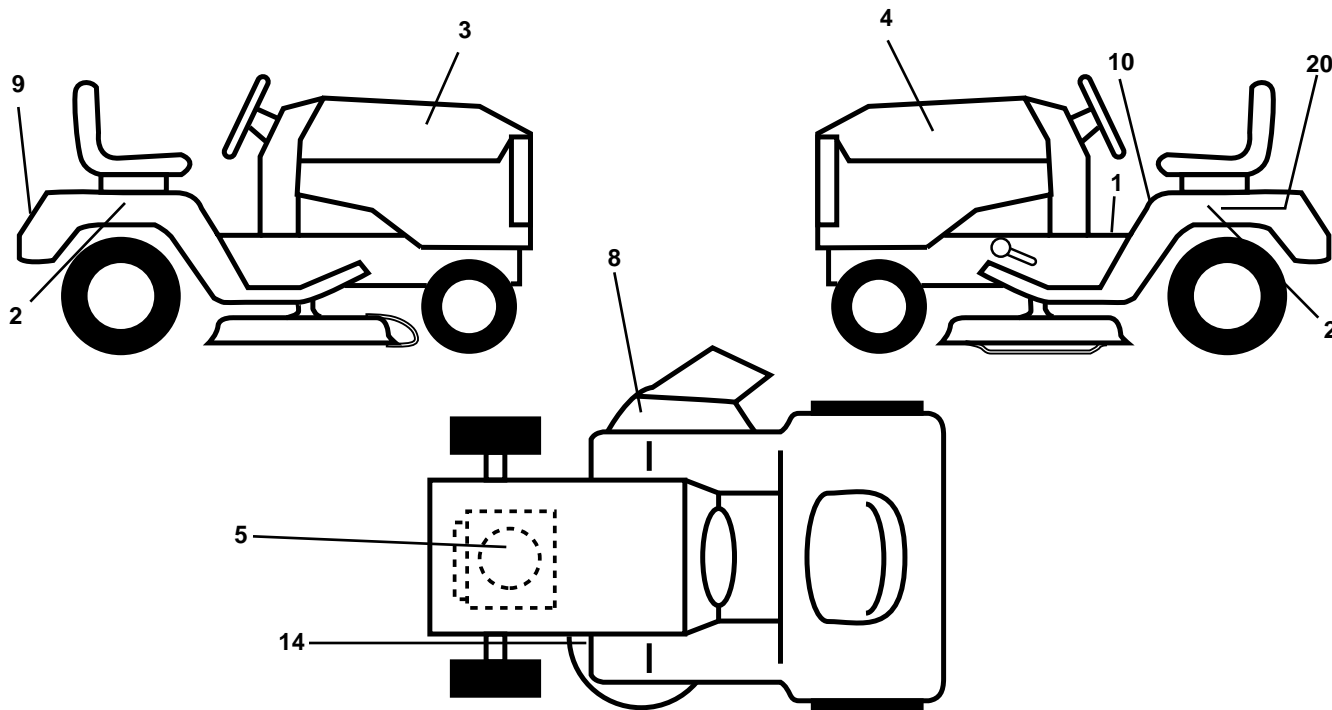
14	872050412	Bolt Rdhd Sqnk 1/4-20x1-1/2
15	532134300	Spacer Split 28x 96 Yel Zinc
16	532121250	Spring Cprsn 1 27 Blk Pnt
17	532123976	Nut Lock 1/4 Lge Flg Gr 5 Zinc
21	532153236	Bolt Shoulder 5/16-18 Unc
22	873800500	Nut Hex Lock W/Ins 5/16-18
23	874780814	Bolt, Hex Head, Fin 1/2-13 x 7/8 Grade 5
24	819171912	Washer 17/32 X 1-3/16 X 12 Ga.
25	532127018	Bolt Shoulder 5/16-18 X 62
26	810040800	Washer Lock

NOTE: All component dimensions given in U.S. inches.
1 inch = 25.4 mm

REPAIR PARTS

TRACTOR - MODEL NO. LTH120 (HCLTH120B), PRODUCT NO. 954 1400-03

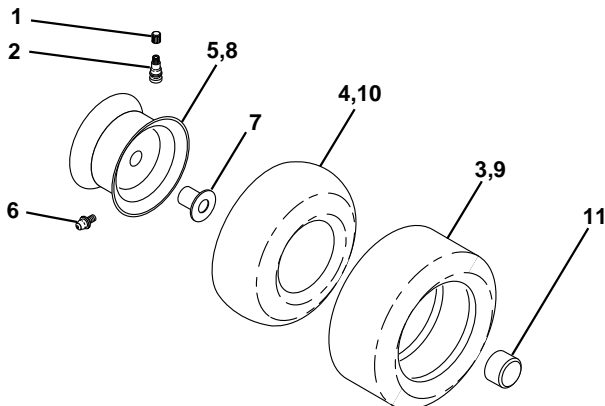
DECALS



KEY NO.	PART NO.	DESCRIPTION
1	532157032	Decal Oper. Step Thru Eng/Fr
2	532157007	Decal Fender Auto Husq Radius
3	532157193	Decal Hood RH
4	532157195	Decal Hood LH
5	532166100	Decal HP Engine
8	532137259	Decal Warning
9	532150617	Decal Fender Husq
10	532157140	Decal Fender Danger Eng/Fr
14	532136832	Decal V-Belt Schematic
20	532145005	Decal Bat Dan/Psn

KEY NO.	PART NO.	DESCRIPTION
--	532154515	Pad Footrest LH STLT
--	532154516	Pad Footrest RH STLT
--	532138311	Decal Handle Lft Height Adjust
--	532142341	Decal Drawbar Cntrl Mvt Hyd
--	532166604	Manual Owner's (English)
--	532166605	Manual Owner's (French)
Available accessories not included with tractor:		
--	MK380	Mulcher Kit with Blades
--	C38	Grass Catcher

WHEELS & TIRES



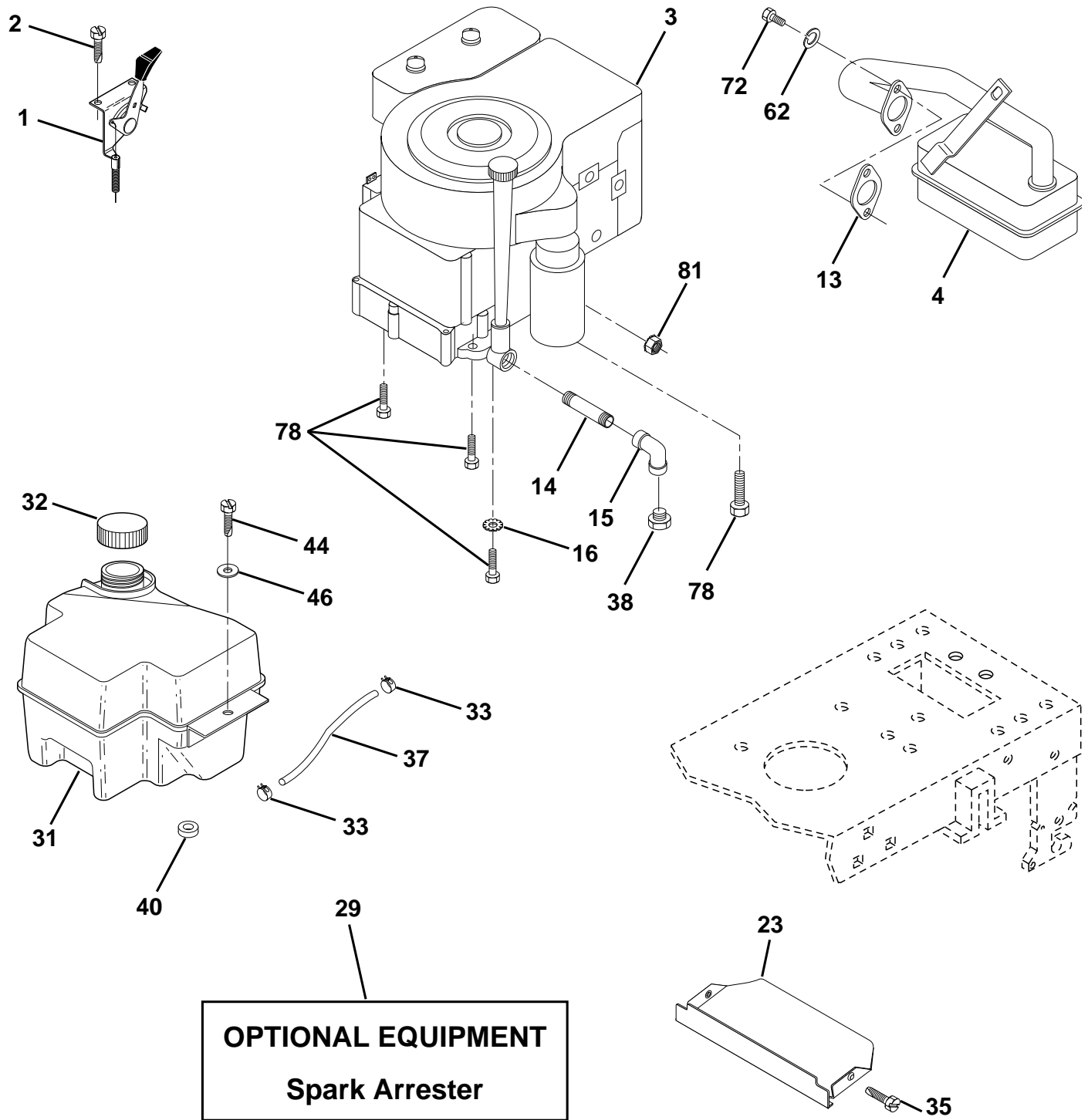
KEY NO.	PART NO.	DESCRIPTION
1	532059192	Cap Valve Tire
2	532065139	Stem Valve
3	532106222	Tire F Ts 15 X 6 0 - 6 Service
4	532059904	Tube Front (Service Item Only)
5	532138336	Rim Asm 6"front Silver Service
6	532124957	Fitting Grease (Front Wheel Only)
7	532124959	Bearing Flange (Front Wheel Only)
8	532138337	Rim Asm 8"rear Silver Service
9	532124635	Tire R Ts 18x8 5-8 C Service
10	532124926	Tube Rear (Service Item Only)
11	532104757	Cap Axle Blk 1 50 X 1 00
--	532144334	Sealant, Tire (10 oz. Tube)

NOTE: All component dimensions given in U.S. inches
1 inch = 25.4 mm

REPAIR PARTS

TRACTOR - MODEL NO. LTH120 (HCLTH120B), PRODUCT NO. 954 1400-03

ENGINE



REPAIR PARTS

TRACTOR - MODEL NO. LTH120 (HCLTH120B), PRODUCT NO. 954 1400-03

ENGINE

KEY NO.	PART NO.	DESCRIPTION
1	532140310	Control Th/ch 23 5 LH Flag
2	817720410	Screw Hex Thd Cut 1/4-20x5/8 T
3	-----	Engine, Briggs 289707 Order Parts From Engine Manufacturer
4	532137348	Muffler LT B&S 12/12.5/13HP
13	532165291	Gasket Eng
14	813280324	Nipple Pipe 3/8 Npt X 3"
15	813200300	Elbow Std 90 Degree 3/8-18 Npt
16	811050600	Washer Lock Ext Tooth 3/8
23	532159880	Shield Brn/Dbt Guard
29	532137180	Kit Spark Arrestor (Flat Scrn)
31	532161911	Tank Fuel Front 2 00
32	532140527	Cap Asm Fuel W/sym Vented
33	532123487	Clamp Hose Black
35	817490512	Screw
37	532137040	Line Fuel 20"
38	-----	Plug Oil Drain (Order From Engine Manufacturer)
40	532124028	Bushing Snap Nyl Blk Fuel Line
44	817490412	Screw Hexwsh Thdrol 1/4-20x3/4
46	819091416	Washer 9/32 X 7/8 X 16 Ga
62	810040500	Washer Lock Hvy Hlcl Spr 5/16
72	871070512	Screw Hexhd Cap 5/16-18x 3/4
78	817490620	Screw Thdrol 3/8-16x1-1/4 TYTT
81	532128861	Nut Flange 1/4-20 Starter Nut

NOTE: All component dimensions given in U.S. inches
1 inch = 25.4 mm

REPAIR PARTS

TRACTOR - MODEL NO. LTH120 (HCLTH120B), PRODUCT NO. 954 1400-03

MOWER DECK

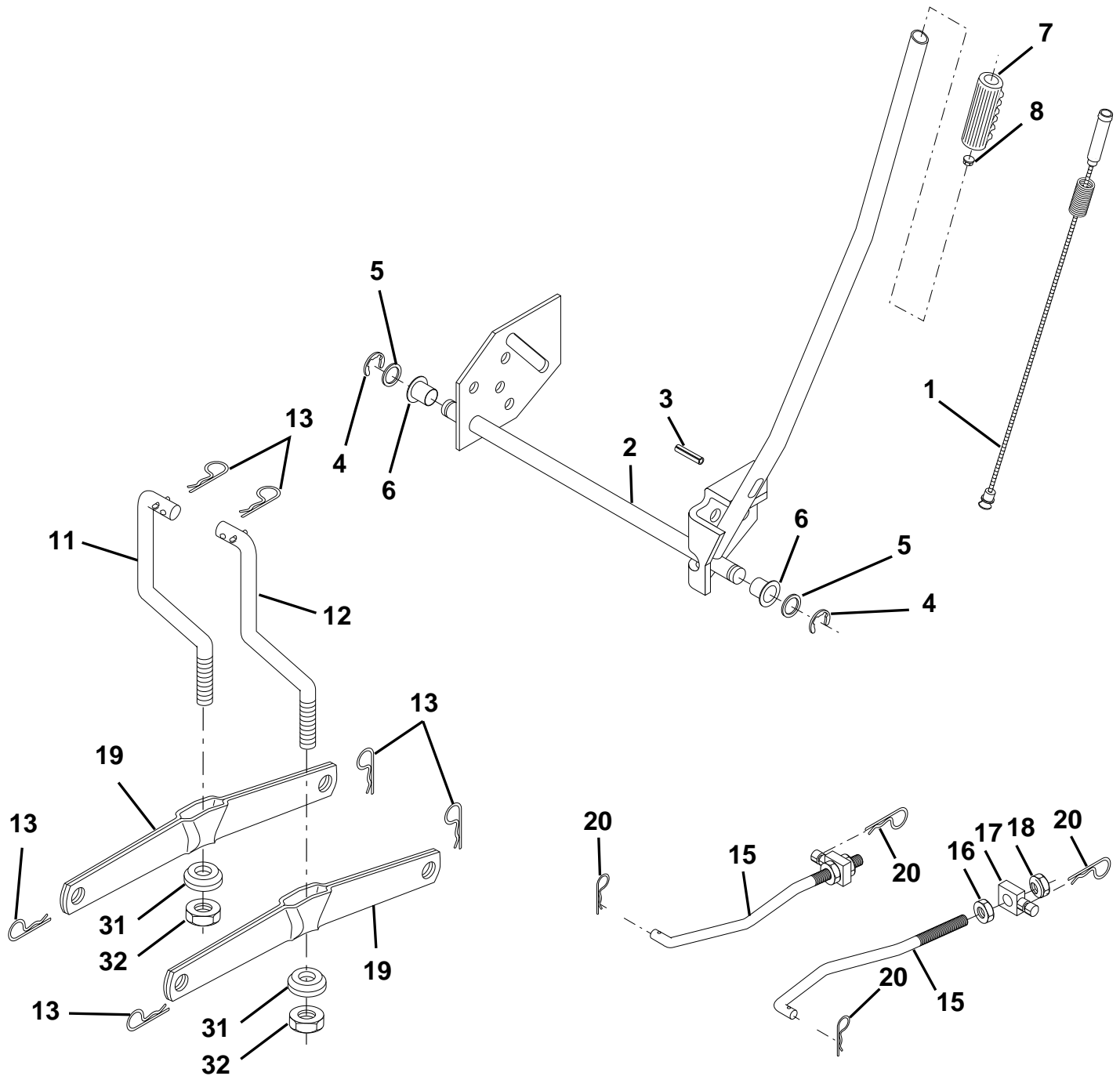
KEY NO.	PART NO.	DESCRIPTION	KEY NO.	PART NO.	DESCRIPTION
1	532142829	Deck Asm Weldment	73	532127847	Arm Clutch Secondary
2	872140506	Bolt Rdhd Sqnk 5/16-18unc X3/4	74	532121748	Washer 25/32 X 1-5/8 X 16 Ga
3	532138017	Bracket Asm Fr Sway Bar 38/42	75	812000029	Ring Klip #t5304-75
4	532138440	Bracket Asm Deck Sway Bar	76	532128903	Bolt Shoulder 3/8-16 Unc 1 44
5	532124670	Retainer Spring	77	532127845	Keeper Spring 4 000
6	532130832	Arm Suspension Rear	78	532160570	Arm Asm Clutch Primary
8	532850857	Bolt 3/8 - 24 X 1.25 Gr 8	79	532127498	Bushing 747 Od X 794 Lg Brass
9	810030600	Washer Lock Hvy 3/8	80	532153701	Spring Clutch Mower
10	532140296	Washer Hard Blade Mower Vented	81	873350600	Nut Hex Jam 3/8-16
11	532134148	Blade Mower Mulching 38"	82	532142028	Trunnion Adj 94
12	532129895	Bearing Ball #6024 (Mandrel)	86	532125074	Runner, LH
13	532137645	Shaft Asm W/lower Bearing	87	532128772	Runner, RH
14	532128774	Housing Mandrel Vented	88	819111216	Washer 11/32 x 3/4 x 16 Ga.
15	532110485	Bearing Ball Mandrel	89	819131612	Washer 13/32 x 1 x 12 Ga.
16	532140329	Stripper Mower Vented	92	873800600	Nut Lock Hex W/Ins 3/8-16 Unc
19	532132827	Bolt Shoulder	96	874930620	Bolt 3/8-16 x 1-1/4 Mulcher
21	873680500	Nut Crownlock 5/16-18 UNC	97	873930600	Nut Crownlock 3/8-16 UNC
23	532137607	Bracket Deflector Mower	98	819132016	Washer 13/32 x 1-1/4 x 16 Ga.
24	532105304	Cap Sleeve 80x 112 Blk Mower	99	810040600	Washer Lock Hvy Hlcl Spr 3/8
25	532123713	Spring Torsion Deflector 2 52	100	532135651	Nut Wing
26	532110452	Nut Push Phos & Oil	101	532132803	Cover Asm Mulching 38"
27	532106736	Shield Deflector	107	532133502	Spacer, Retainer
28	819111016	Washer 11/32 X 5/8 X 16 Ga	108	532133503	Stiffener, Idler Arm
29	532106735	Rod Hinge	109	874760640	Bolt, Hex Head 3/8-16 x 2-1/2
30	532157722	Screw Thd Rolling Washer Head	110	532142587	Upstop Deck Front 38"
31	532129963	Washer Spacer Mower Vented	113	817490512	Screw Thdrol 5/16-18 X 3/4
32	532153532	Pulley Mandrel	122	532131289	Rod, Brake, LH
33	532137266	Nut 9/16 Toplock Flng Oil Dip	123	532131288	Rod, Brake, RH
36	532131494	Pulley Idler Flat 3 060	124	872110614	Bolt, Carriage 3/8-16 x 1-3/4
40	873680600	Nut Crownlock 3/8-16 UNC	128	532153390	Washer Felt
41	532133551	Rod Pivot W/nibs	129	819131312	Washer 13/32 x 13/16 x 12 Ga.
43	532133504	Rod Clutch Secondary	130	874780616	Bolt, Fin Hex 3/8-16 UNC x 1 Gr. 5
45	532124788	Spring Retainer 1" Zinc/cad	131	872140608	Bolt, Rdhd Sqnk 3/8-16 x 1
53	532130840	Asm Brake	141	532124931	Washer Thrust .75 x 1.230
54	532133943	Washer Hardened	--	532130794	Mandrel Asm Service (Includes Key Nos. 8-10, 12-15, 31 and 33)
55	532133840	Arm Idler	--	532142820	Mower Deck Complete (Std. Deck - order separately mulcher plate components key nos. 96-101)
56	532122052	Spacer Retainer Pm Mower			
67	532162132	Knob Rd 7/16-14 Plastic Thds Blk			
68	532144200	V-Belt Mower			
69	876020312	Pin, Cotter 3/32 x 3/4			
71	532142427	Rod Clutch Primary 38/42			
72	532131870	Spring Return			

NOTE: All component dimensions given in U.S. inches
1 inch = 25.4 mm

REPAIR PARTS

TRACTOR - MODEL NO. LTH120 (HCLTH120B), PRODUCT NO. 954 1400-03

MOWER LIFT



REPAIR PARTS

TRACTOR - MODEL NO. LTH120 (HCLTH120B), PRODUCT NO. 954 1400-03

MOWER LIFT

KEY NO.	PART NO.	DESCRIPTION
1	532159460	Wire Asm Inner/Sprg w/Plngr Lt
2	532159471	Shaft Asm Lift
3	532105767	Pin Groove
4	812000002	E Ring #5133-62
5	819211621	Washer PLTD 21/32 X 1 X 21ga
6	532120183	Bearing Nylon Blk 629 Id
7	532109413	Grip Handle Bicycle
8	532124526	Button Plunger Black
11	532139865	Link Lift LH
12	532139866	Link Lift RH
13	532124670	Retainer Spring
15	532127218	Link Front
16	873350800	Nut Jam Hex 1/2-13 Unc
17	532130171	Trunnion Blk Zinc
18	873800800	Nut Lock W/wsh 1/2-13unc
19	532139868	Arm Suspension Rear
20	532163552	Spring, Retainer
31	532140302	Bearing Pvt. Lift Spherical
32	873540600	Nut Crownlock 3/8-24

NOTE: All component dimensions given in U.S. inches
1 inch = 25.4 mm