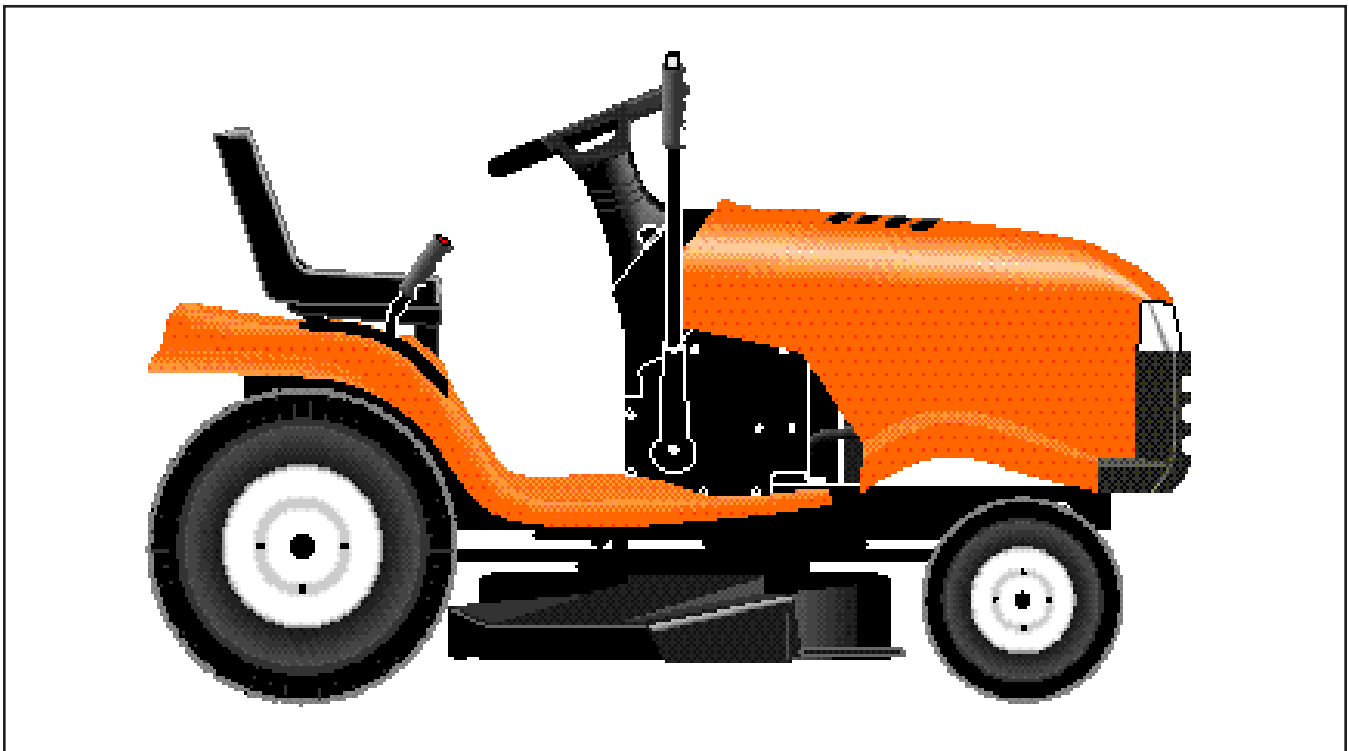


LTH 130



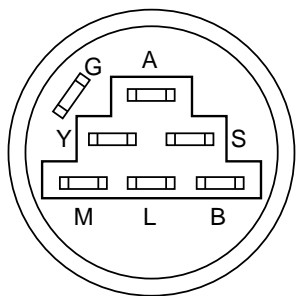
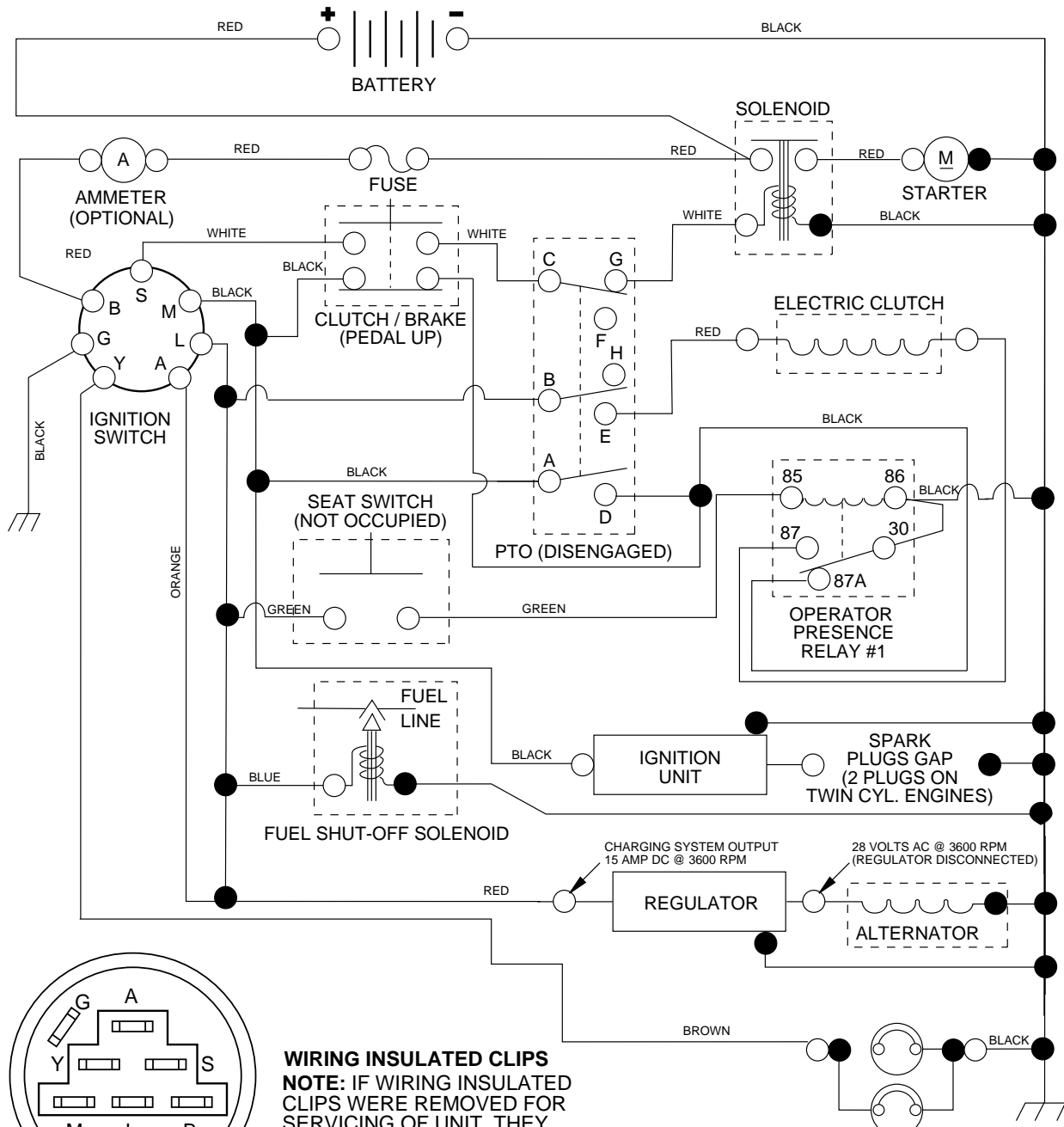
Ride Mower

HCLTH130J

TRACTOR - MODEL NUMBER LTH130 (HCLTH130J), PRODUCT NO. 954 14 00-05

SCHEMATIC

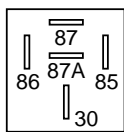
02244 - (WH#166150)



IGNITION SWITCH

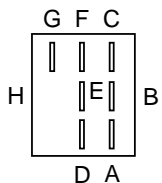
POSITION	CIRCUIT	"MAKE"
OFF	G + M + L	NONE
RUN/LIGHT	B + L	A + Y
RUN	B + L	NONE
START	B + L + S	NONE

WIRING INSULATED CLIPS
NOTE: IF WIRING INSULATED CLIPS WERE REMOVED FOR SERVICING OF UNIT, THEY SHOULD BE REPLACED TO PROPERLY SECURE YOUR WIRING.



RELAY

PTO SWITCH	
POSITION	CIRCUIT
OFF	C + G, B + H
ON	C + F, B + E, A + D

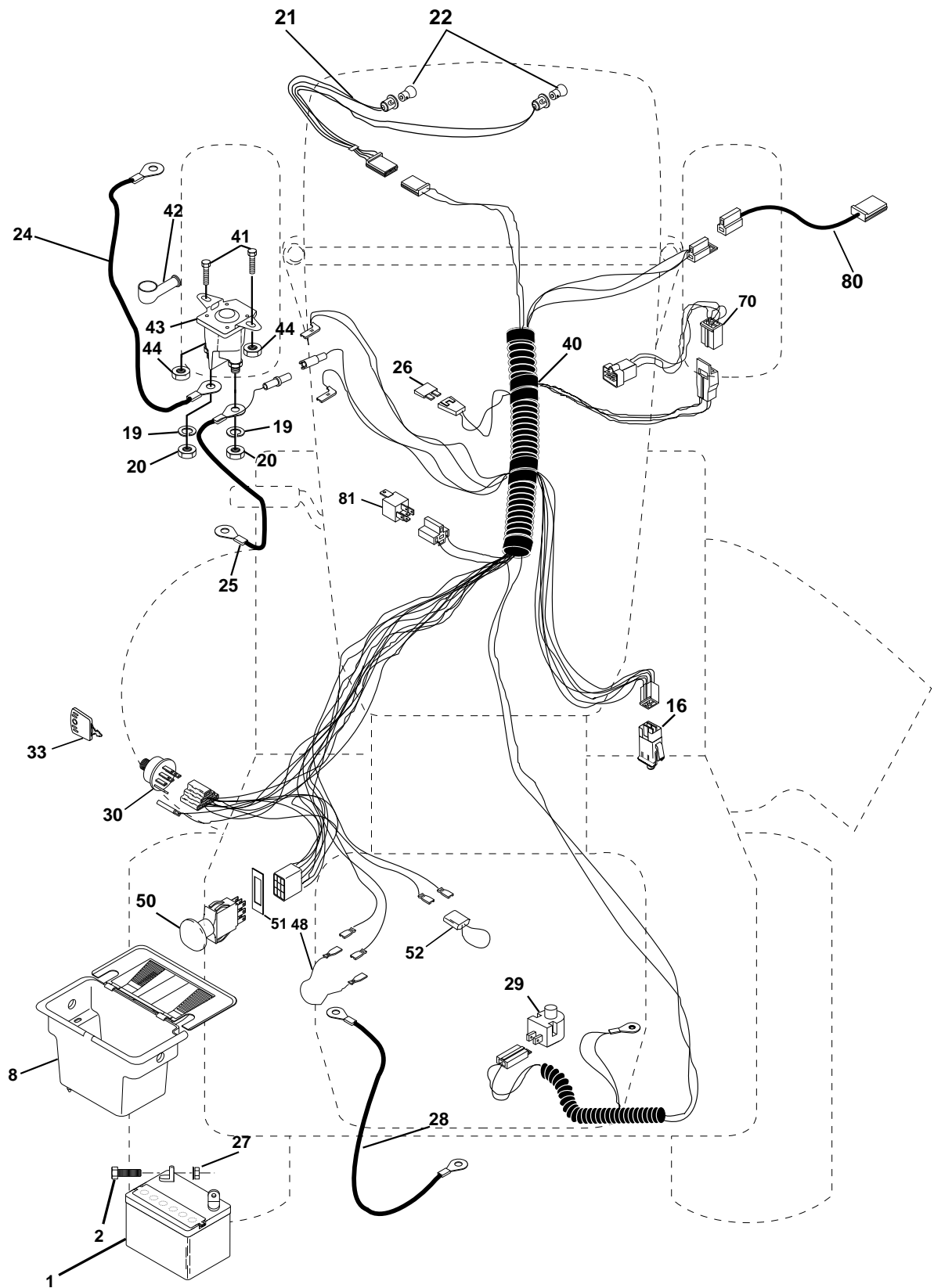


● NON-REMOVABLE CONNECTIONS

○ REMOVABLE CONNECTIONS

REPAIR PARTS

TRACTOR - MODEL NUMBER LTH130 (HCLTH130J), PRODUCT NO. 954 14 00-05
ELECTRICAL



REPAIR PARTS

TRACTOR - MODEL NUMBER LTH130 (HCLTH130J), PRODUCT NO. 954 14 00-05

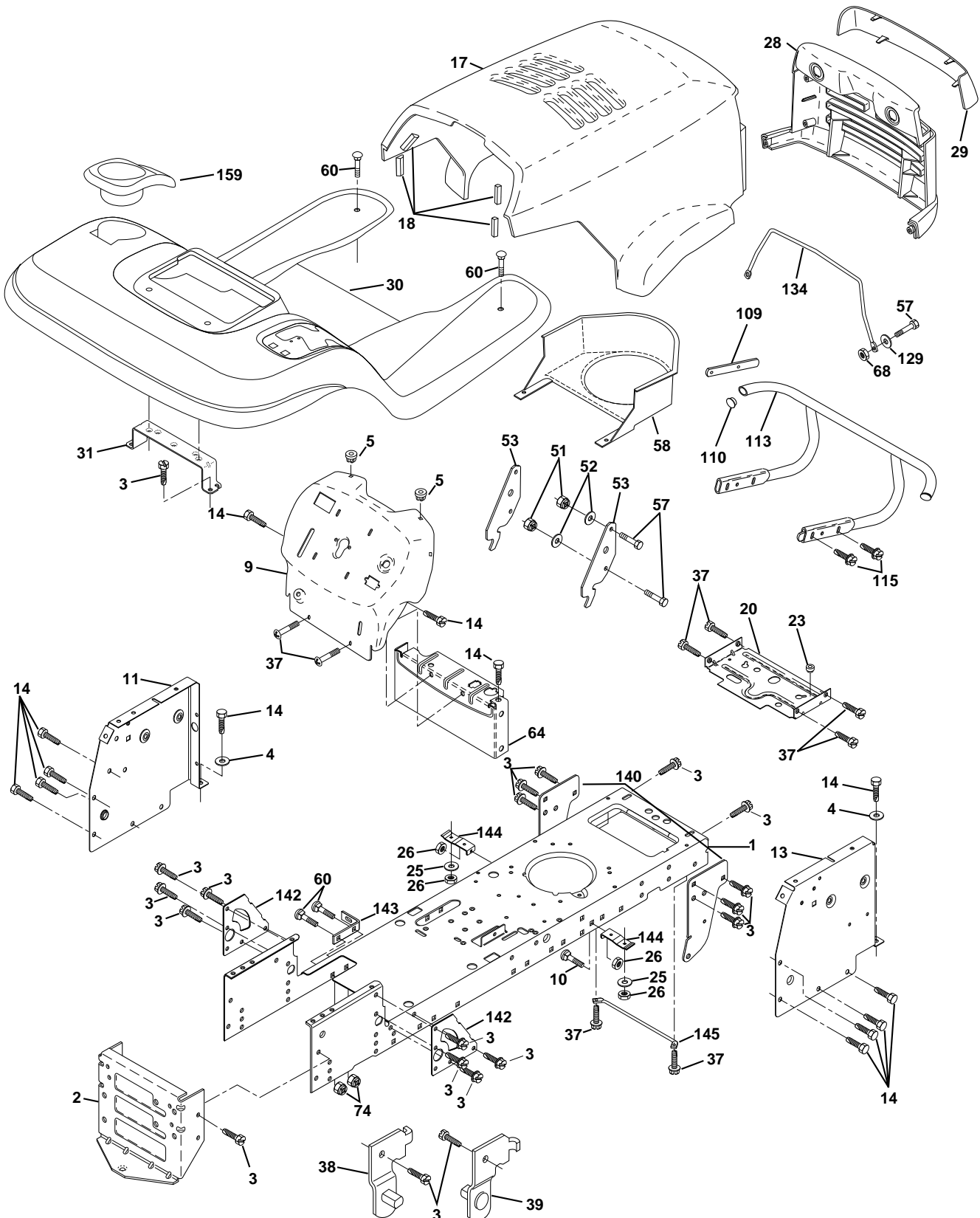
ELECTRICAL

KEY NO.	PART NO.	DESCRIPTION
1	532144925	Battery 12 Volt 25 AMP
2	874760412	Bolt Hex Hd 1/4-20unc X 3/4
8	532156417	Case Battery Mech Hinge
16	532153664	Switch Interlock Push-In
19	810090400	Washer Lock 1/4
20	873350400	Nut Jam Hex 1/4-20 Unc
21	532166181	Harness Asm Light W/4152j
22	532004152	Bulb Light #1156
24	532124780	Cable Battery 6 Ga 11" red
25	532146147	Cable Battery 6 Ga 44" red w/16 wire
26	532166180	Fuse 15 AMP
27	873510400	Nut Keps Hex 1/4-20 UNC
28	532124773	Cable Ground 6 Ga 12" black
29	532160784	Switch Plunger Normal OP Olive
30	532140301	Switch Ign 4 pos w/lights
31	532124211	Nut Ignition
32	532141226	Cover Sw Ignition
33	532122147	Key Ign Modelled Generic
40	532166150	Harness Ign.
41	871110408	Bolt Blk Fin Hex 1/4 - 20 x 1/2
42	532131563	Cover Terminal Red
43	532145673	Solenoid
44	873640400	Nut Keps Hex 1/4-20 Unc
48	532140844	Adapter Ammeter Rectangular
50	532154959	Switch PTO 3PDT Black Delta 96
51	532140405	Ring Retainer PTO
52	532141940	Protection Wire Loop
70	532166661	Harness, Eng. kohl Cmd
80	532146685	Harness Clutch EVX
81	532109748	Relay Asm

NOTE: All component dimensions given in U.S. inches.
1 inch = 25.4 mm.

REPAIR PARTS

TRACTOR - MODEL NUMBER LTH130 (HCLTH130J), PRODUCT NO. 954 14 00-05
CHASSIS AND ENCLOSURES



REPAIR PARTS

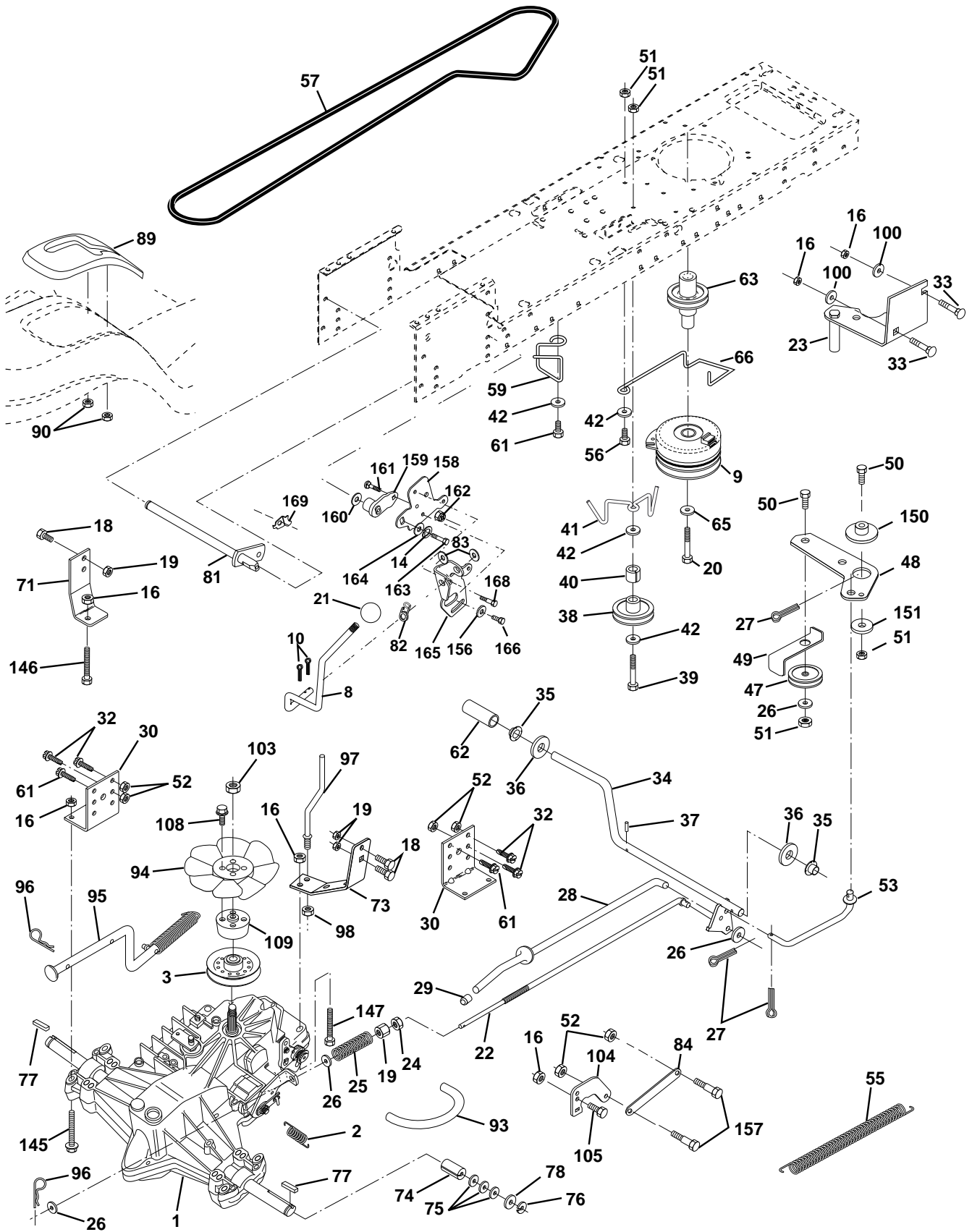
TRACTOR - MODEL NUMBER LTH130 (HCLTH130J), PRODUCT NO. 954 14 00-05
CHASSIS AND ENCLOSURES

KEY NO.	PART NO.	DESCRIPTION
1	532165583	Chassis
2	532140356	Drawbar, Stretch
3	817490612	Screw Thdrol 3/8-16x3/4 Ty-tt
4	819131216	Washer 13/32 x 3/4 x 16 Ga.
5	532155272	Bumper Hood/Dash
9	532157409	Dash P/L M, N/AMM N/HM Grey
10	872140608	Bolt Carriage 3/8-16 x 1
11	532155927	Panel Dash Lh
13	532157262	Panel Dash Rh
14	817490608	Screw Thdrol 3/8-16x1/2 Ty-tt
17	532165378	Hood LT/PL Husqvarna
18	532126938	Bumper Hood
20	532156437	Plate Mtg Battery Fuel Tank Fr
23	532124028	Bushing
25	819131312	Washer 13/32 X 13/16 X 12 Ga
26	873800600	Nut Lock Hex W/Ins 3/8-16 Unc
28	532165379	Grille LT/PL Husqvarna
29	532165380	Lens LT/PL Husqvarna
30	532166505	Fender Footrest STLT Pnt
31	532139976	Bracket Support Fender
37	817490508	Screw Thdrol 6/16-18 x 1/2 TYT
38	532139886	Bracket, Asm. Pivot, L.H., Mower Rear
39	532139887	Bracket, Asm. Pivot, R.H., Mower Rear
51	873800400	Nut Lock Hex W/Ins 1/4-20
52	819091416	Washer 9/32 x 7/8 x 16 Ga.
53	532150067	Bracket Pnt. Pick off LT/PL Husqvarna
57	874780412	Bolt Hex 1/4-20 x 3/4
58	532150127	Air Duct Engine P/L
60	872140606	Bolt Rdhd Sqnk 3/8-16unc x 3/4
64	532154798	Dash Lower STLT
68	873510400	Nut Keps Hex 1/4-20 UNC
74	873680600	Nut Crownlock 3/8-16 UNC
109	532141461	Bracket Extension Bumper
110	532143679	Plug Plastic
113	532150300	Bumper Asm.
115	817490620	Screw Thdrol 3/8-16 x 1-1/4
129	819091016	Washer 9/32 x 5/8 x 16 Ga.
134	532160219	Rod Support Hood LT/PL Husq.
140	532158418	Bracket Suspension Front
142	532165867	Plate Reinforcement STLT
143	532154966	Bracket Swaybar Chassis
144	532154207	Bracket Pnt Footrest STLT
145	532156524	Rod Pivot Chassis/Hood
159	532166508	Cupholder Stlt Grey
--	532005479	Plug Button

NOTE: All component dimensions given in U.S. inches
1 inch = 25.4 mm

REPAIR PARTS

TRACTOR - MODEL NUMBER LTH130 (HCLTH130J), PRODUCT NO. 954 14 00-05
DRIVE



REPAIR PARTS

TRACTOR - MODEL NUMBER LTH130 (HCLTH130J), PRODUCT NO. 954 14 00-05

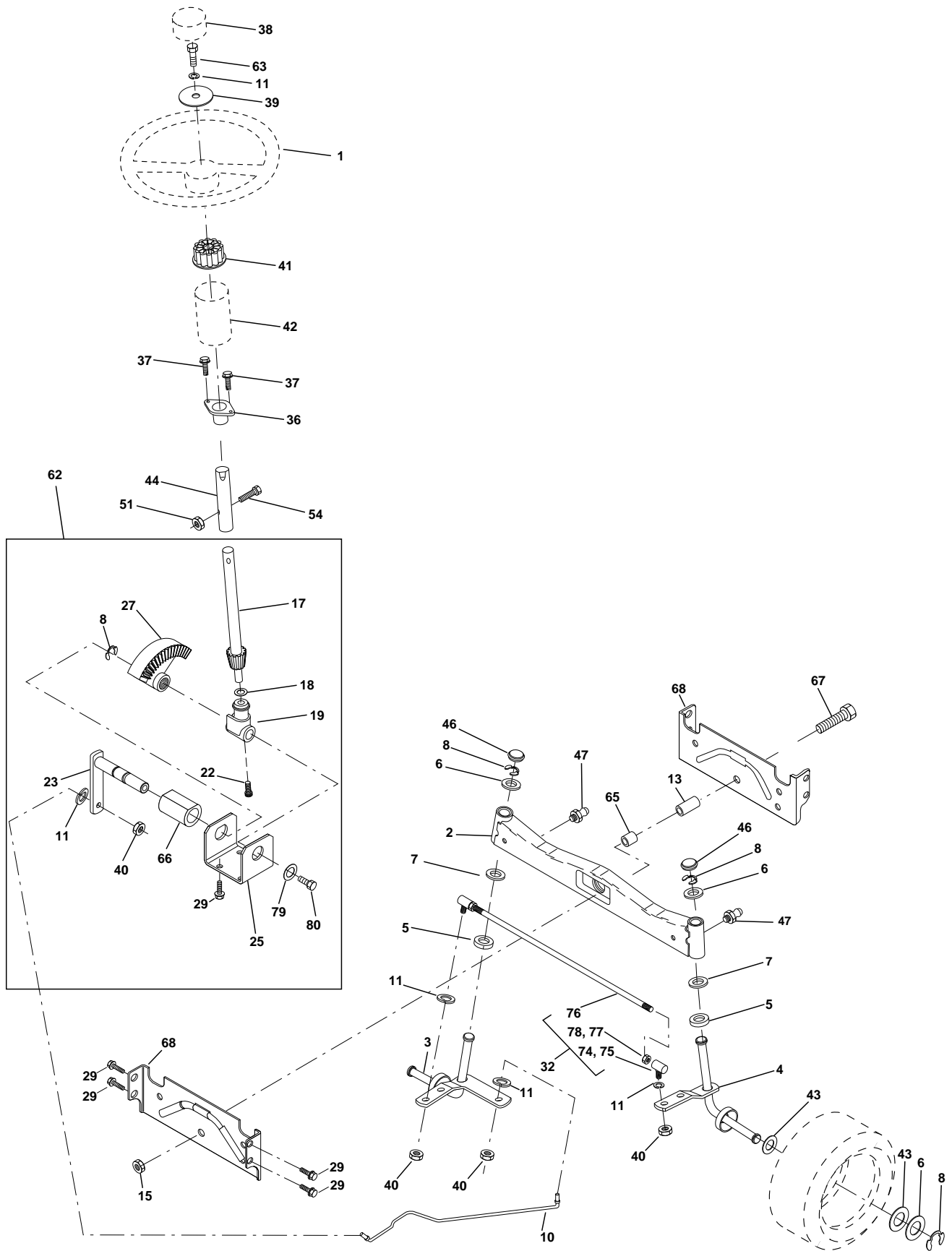
DRIVE

KEY PART NO.	NO.	DESCRIPTION	KEY PART NO.	NO.	DESCRIPTION
1	532140607	Transaxle Hydro	73	532141418	Strap Torque Rh Hydro
2	532142431	Gear, Model No. 319-0500	74	532121199	Spacer, Split
3	532144698	Spring, Return, Brake	75	532121749	Washer 25/32 x 1-1/4 x 16 Gauge
8	532165866	Pulley, Transaxle	76	812000001	E-Ring
9	532145028	Rod Shift Fender Adjust	77	532123583	Key, Square
10	532145028	Clutch, Elect. EVX LT Mag 5217-2	78	532121748	Washer 25/32 x 1-5/8 x 16 Gauge
14	810040400	Pin Cotter 1/8 x 1 CAD	81	532165595	Shaft Asm Cross Tapered
16	873800500	Washer Lock Hvy Helical	82	532165711	Spring Torsion
18	874780616	Nut Lock Hex W/Ins. 5/16-18 Unc P	83	819171216	Washer 17/32 x 3/4 x 16 Ga.
19	873800600	Bolt Fin Hex 3/8-16 Unc x 1 Gr. 5	84	532165816	Link Transaxle
20	532150280	Nut Lock Hex W/Wsh 3/8-16 Unc	86	532157480	Bushing Rod Steering 629/632 ID
21	532121274	Bolt Hex 7/16-20 x 4-1/4 Ga. 1.38	87	819212016	Washer 21/32 x 1-1/4 x 16 Ga.
22	532145627	Knob, Duckhead 1/2-13	88	812000008	Ring Klip #5304-62
23	532154978	Rod, Brake Hydro	89	532166510	Console, Shift
24	873350600	Bracket, Asm Clutch Mtg EVX	90	532124346	Nut, Self-Thd Wsh-hd 1/4 Zinc
25	532106888	Nut	93	532142564	Line Fuel Hydro 4"
26	819131316	Spring, Brake Rod	94	532140462	Fan, Hydro 7"
27	876020412	Washer	95	532144643	Control Asm Bypass Hydro
28	532145204	Pin Cotter 1/8 x 3/4 CAD.	96	532124788	Retainer Spring 1" Zinc/Cad
29	532071673	Rod, Parking Brake	97	532144201	Keeper Belt Rh Hydro
30	532130807	Cap, Parking Brake	98	873510600	Nut Keps Hex 3/8-16 Unc
32	874760512	Bracket, Transaxle	100	819111216	Washer 11/32 x 3/4 x 16 Ga.
33	872140506	Bolt Hex Hd 5/16-18 Unc x 3/4	103	873940800	Nut Nylon Insert 1/2-20 Unf.
34	532155071	Bolt Rdhd Sqnk 5/16-18 UNC x 3/4	104	532141421	Arm, Control Hydro
35	532120183	Shaft, Foot Pedal	105	871070516	Screw Cap Hex 5/16 x 18 x 1
36	819211616	Bearing, Nylon	106	874780520	Bolt Fin Hex 5/16-18 Unc x 1-1/4
37	532124963	Washer	108	817541026	Screw Hex Wh Hd #10-24 x
38	532131494	Pin, Roll	109	532145098	Adaptor Fan Hydro LT Hyd Alum
39	874760644	Pulley, Idler, Flat	144	819111016	Washer 11/32 x 5/8 x 16 Ga.
40	532124965	Bolt	145	874490540	Bolt, Hex Flghd 5/16-18 Gr. 5
41	532165838	Spacer, Split	146	874490536	Bolt Fin Hex 5/16-18 x 2-1/4
42	819131312	Keeper, Belt Idler	147	874490524	Bolt Fin Hex 5/6-18 Unc x 1-1/2
47	532127783	Washer 13/32 x 13/16 x 12 Gauge	150	532165850	Bushing Bellcrank Grd Drive
48	532154407	Pulley, Idler, V-Groove	151	819133210	Washer 13/32 x 2 x 10 Ga.
49	532123205	Bellcrank Assembly	156	532166002	Washer Srrted 5/16ID x 1 .125
50	874760624	Retainer, Belt	157	532153236	Bolt Shoulder 5/16-18 Unc- 2A
51	873680600	Bolt	158	532165589	Bracket Shift Mount
52	873680500	Nut	159	532165494	Hub Tapered Flange Shift Lt
53	532105710	Nut Crownlock 5/16-18	160	819292016	Washer 29/32 x 1-1/4 x 16 Ga.
55	532105709	Link, Clutch	161	872140406	Bolt Rdhd Sqnk 1/4-20 x 3/4 Gr. 5
56	874760620	Spring, Return, Clutch	162	873680400	Nut Crownlock 1/4-20 Unc
57	532141416	Bolt Fin Hex 3/8-16 UNC x 1-1/4	163	874780416	Bolt Hex Fin 1/4-20 Unc x 1 Gr. 5
59	532140312	V-Belt	164	819091010	Washer 5/8 x .281 x 10 Ga
61	817490612	Keeper, Center Span	165	532165623	Bracket Pivot Lever
62	532124872	Screw Thdrol. 3/8-16 x 3/4 Ty. TT	166	532166880	Screw 5/16-18 x 5/8
63	532145868	Cover, Pedal	168	532165492	Bolt Shoulder 5/16-18 x .561
65	810040700	Pulley	169	532165580	Plate Fastening
66	532154778	Washer			
71	532141417	Keeper Belt Engine Full-Proof			
		Strap Torque Lh Hydro			

NOTE: All component dimensions give in U.S. inches.
1 inch = 25.4 mm.

REPAIR PARTS

TRACTOR - MODEL NUMBER LTH130 (HCLTH130J), PRODUCT NO. 954 14 00-05
STEERING ASSEMBLY



REPAIR PARTS

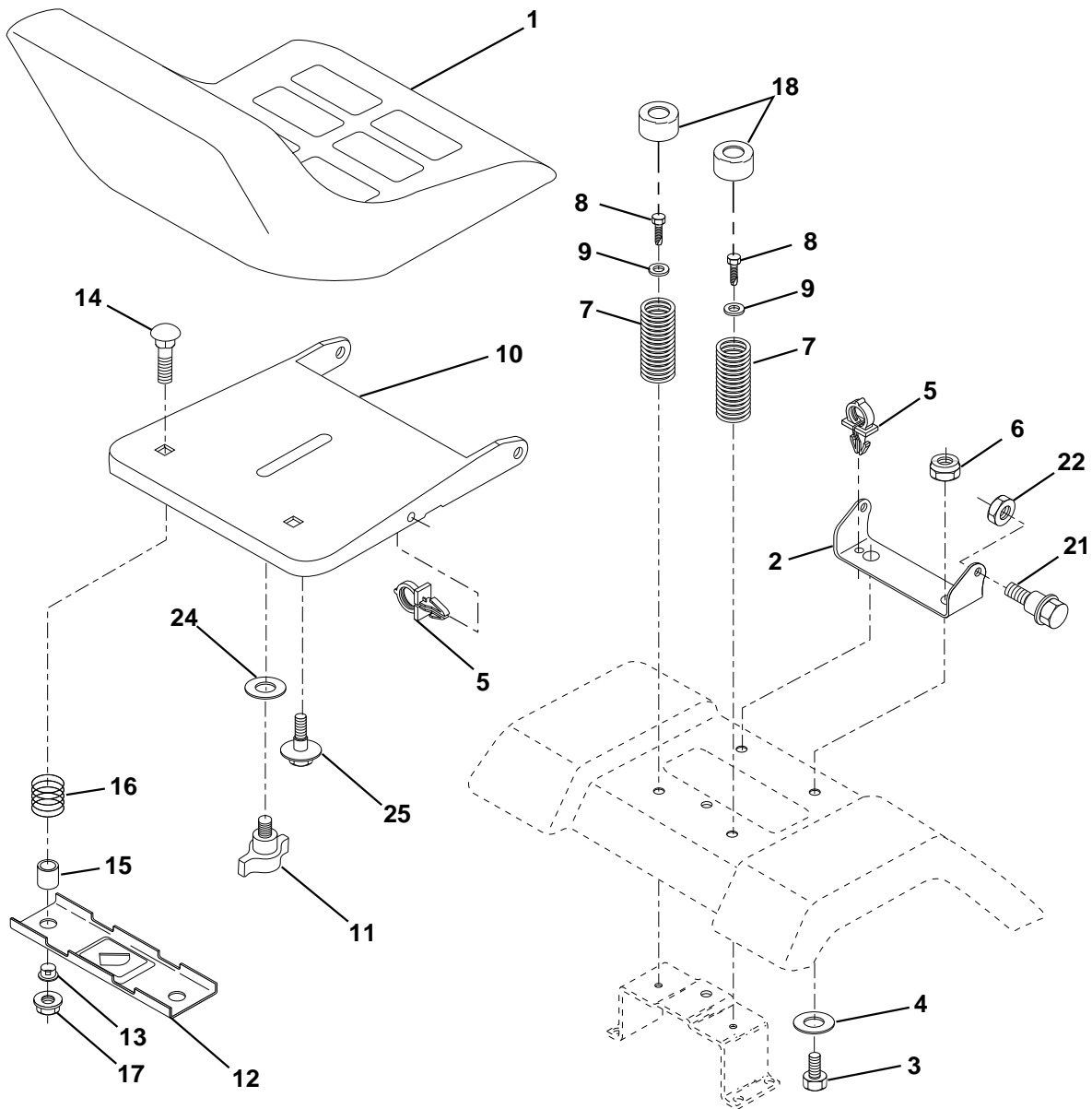
TRACTOR - MODEL NUMBER LTH130 (HCLTH130J), PRODUCT NO. 954 14 00-05
STEERING ASSEMBLY

KEY NO.	PART NO.	DESCRIPTION
1	532124415	Wheel Steering
2	532137094	Axle Front Casting Machined
3	532157479	Spindle Asm LH Cast 15"
4	532157478	Spindle Asm RH Cast 15"
5	532124931	Bearing Race Thrust Harden
6	532121748	Washer 25/32 X 1-5/8 X 16 Ga
7	819272016	Washer 27/32 X 1-1/4 X 16 Ga
8	812000029	Ring Klip #t5304-75
10	532154432	Link Drag Extended Cast
11	810040600	Washer Lock Hvy Hlcl Spr 3/8
13	532154779	Bearing Axle STLT/GT
15	873901000	Nut Lock Flange 5/8-11 Unc
17	532156546	Shaft Asm Strg
18	532057079	Washer Thrust 515x 750x 033
19	532160395	Support Shaft
22	532165857	Screw Hex Wshhd Torx
23	532165851	Shaft Asm Pittman
25	532154406	Bracket Steering
27	532136874	Gear Sector
29	817490612	Screw Thdrol 3/8-16x3/4 Ty-tt
32	532137347	Rod Asm Tie Ball J Adj VGT
36	532155099	Bushing Strg
37	532152927	Screw
38	532124416	Insert Cap Strg Wh Au
39	819133808	Washer 13/32 X 2-3/8 X 8 Ga
40	532124701	Lock nut
41	532100711	Adaptor Wheel Strg
42	532155092	Boot Steering Shaft
43	532121749	Washer 25/32 X 1 1/4 X 16 Ga
44	532153720	Extension Steering Shaft LR/LT
46	532121232	Cap Spindle Fr Top Blk
47	532124836	Fitting Grease
51	873800500	Nut Lock Hex w/Ins 5/16-18
54	874780520	Bolt Fin Hex 5/16-18 Unc x 1-1/4
62	532156594	Kit, Steering Assembly Svc
63	874780616	Bolt Fin Hex 3/8-16unc x 1 Gr. 5
65	532154780	Spacer Axle
66	532154404	Bearing Arm Pittman
67	874781044	Bolt, Fin Hex 5/8-11 UNC x 2-3/4
68	532154429	Axle, Brace
74	532109850	Joint Asm Ball Rh
75	532109851	Joint Asm Ball Lh
76	532137156	Rod Tie Ball J Adj
77	873700600	Nut Hex Jam 3/8-24 Unf Lh
78	873360600	Nut Hex Jam 3/8-24 Unf
79	819132012	Washer 13/32 x 1-1/4 x 12 Ga.
80	874950612	Bolt Hex Nylon 3/8-16 x 3/4

NOTE: All component dimensions given in U.S. inches.
1 inch = 25.4 mm.

REPAIR PARTS

TRACTOR - MODEL NUMBER LTH130 (HCLTH130J), PRODUCT NO. 954 14 00-05
SEAT ASSEMBLY



KEY PART NO. NO.

DESCRIPTION

1	532140838	Seat
2	532140551	Bracket Pivot Seat 8 720
3	874760616	Bolt Fin Hex 3/8-16unc X 1
4	819131610	Washer 13/32 X 1 X 10 Ga
5	532145006	Clip Push-In
6	873800600	Nut Hex w/Ins. 3/8-16 Unc
7	532124181	Spring Seat Cprsn 2 250 Blk Zi
8	817490616	Screw Thdrol 3/8-16 X 1 Ty-tt
9	819131614	Washer 13/32 X 1 X 14 Ga.
10	532155925	Pan Seat
11	532166369	Knob Seat
12	532121246	Bracket Mounting Switch

KEY PART NO. NO.

DESCRIPTION

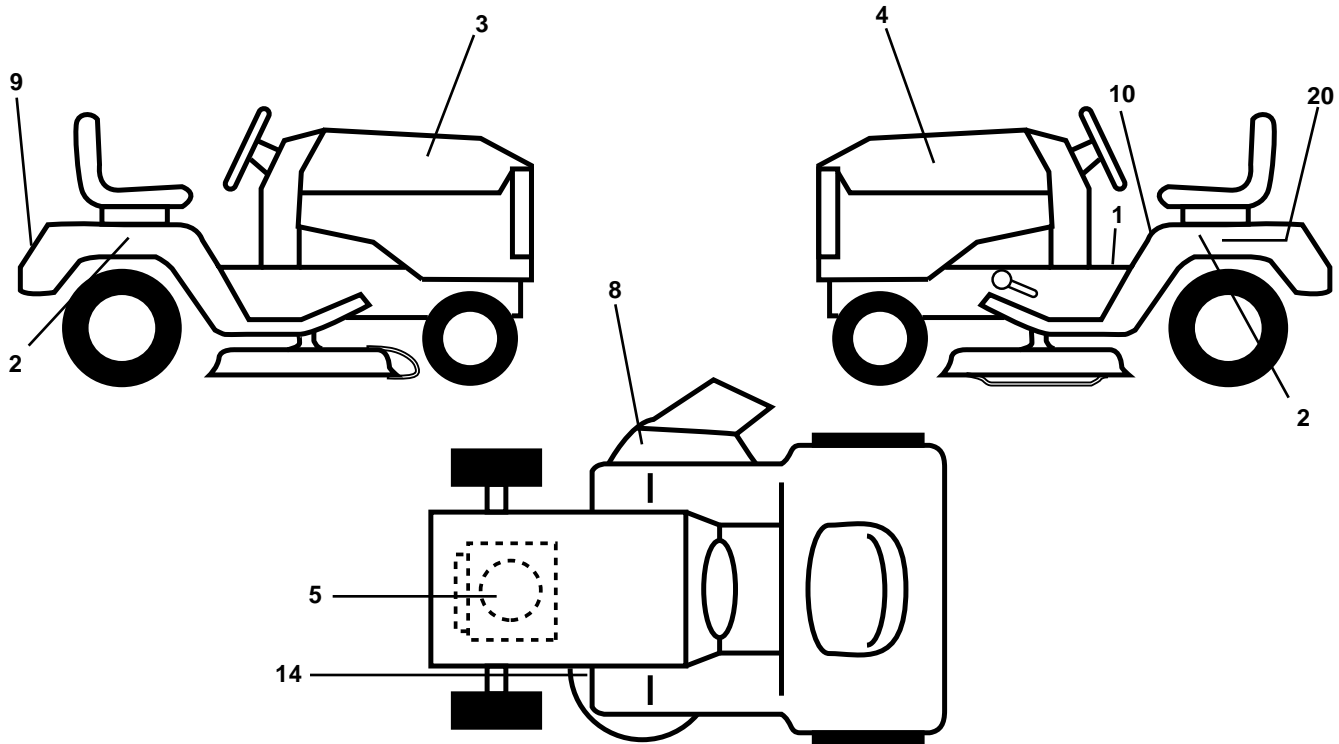
13	532121248	Bushing Snap Blk Nyl 50 Id
14	872050412	Bolt Rdhd Sqnk 1/4-20x1-1/2
15	532134300	Spacer Split 28x 96 Yel Zinc
16	532121250	Spring Cprsn 1 27 Blk Pnt
17	532123976	Nut Lock 1/4 Lge Flg Gr 5 Zinc
18	532124238	Cap Spring Seat
21	532153236	Bolt Shoulder 5/16-18 Unc
22	873800500	Nut Hex Lock W/Ins 5/16-18
24	819171912	Washer 17/32 X 1-3/16 X 12 Ga.
25	532127018	Bolt Shoulder 5/16-18 X 62

NOTE: All component dimensions given in U.S. inches.
1 inch = 25.4 mm

REPAIR PARTS

TRACTOR - MODEL NUMBER LTH130 (HCLTH130J), PRODUCT NO. 954 14 00-05

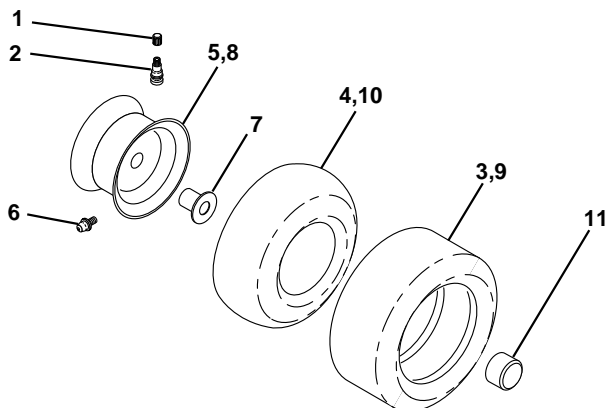
DECALS



KEY NO.	PART NO.	DESCRIPTION
1	532157032	Decal Oper Step Thru Eng/Fr
2	532157007	Decal Fender Ajuto Husq. Radius
3	532150725	Decal Hood RH
4	532150726	Decal Hood LH
5	532166102	Decal Engine
8	532137259	Decal Warning
9	532150617	Decal Fender Husq
10	532157140	Decal Fender Danger Eng/Fr

KEY NO.	PART NO.	DESCRIPTION
14	532160396	Decal V-Belt Schematic
20	532145005	Decal Bat Dan/Psn
--	532154515	Pad Footrest LH STLT
--	532154516	Pad Footrest RH STLT
--	532138311	Decal Handle Lft Height Adjust
--	532142341	Decal Drawbar Cntrl Mvt Hyd LT
--	532166606	Manual Owner's (English)
--	532166607	Manual Owner's (French)

WHEELS & TIRES

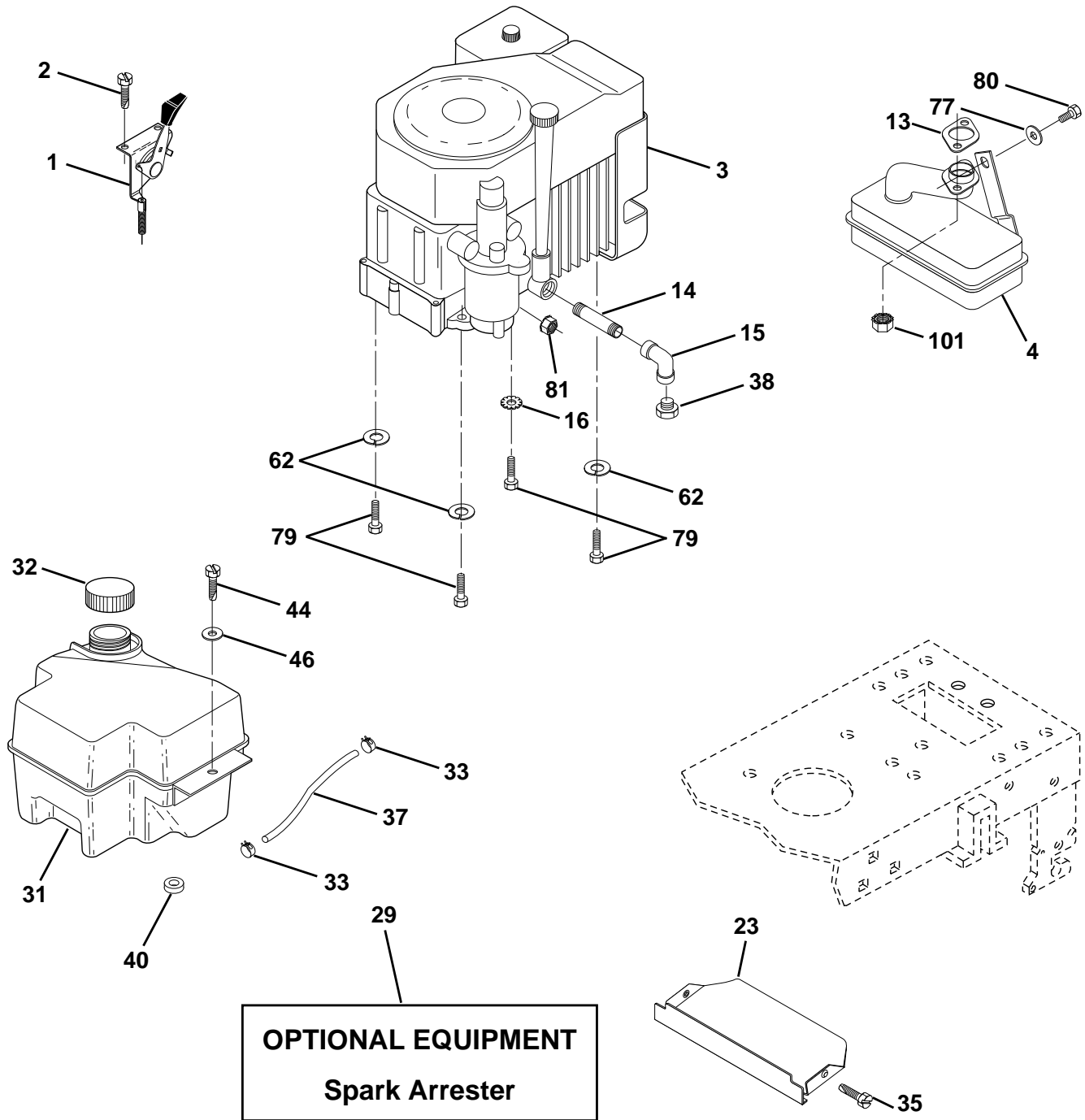


KEY NO.	PART NO.	DESCRIPTION
1	532059192	Cap Valve Tire
2	532065139	Stem Valve
3	532106222	Tire F Ts 15 X 6 0 - 6 Service
4	532059904	Tube Front (Service Item Only)
5	532138336	Rim Asm 6"front Silver Service
6	532124957	Fitting Grease (Front Wheel Only)
7	532124959	Bearing Flange (Front Wheel Only)
8	532138337	Rim Asm 8"rear Silver Service
9	532124635	Tire R Ts 18x8 5-8 C Service
10	532124926	Tube Rear (Service Item Only)
11	532104757	Cap Axle Blk 1 50 X 1 00
--	532144334	Sealant, Tire (10 oz. Tube)

NOTE: All component dimensions given in U.S. inches
1 inch = 25.4 mm

REPAIR PARTS

TRACTOR - MODEL NUMBER LTH130 (HCLTH130J), PRODUCT NO. 954 14 00-05
ENGINE



REPAIR PARTS

TRACTOR - MODEL NUMBER LTH130 (HCLTH130J), PRODUCT NO. 954 14 00-05
ENGINE

KEY NO.	PART NO.	DESCRIPTION
1	532141296	Control THT/CH 27 LH FLAG DOM
2	817720410	Screw Hex Thd Cut 1/4-20 x 5/8 T
3	-----	Engine Kohler, Model CV15S (Order parts from engine manufacturer)
4	532159420	Muffler LT Kohler
13	532163831	Gasket Kohler CV13-CV16.5
14	813280328	Nipple Pipe 3/8 Npt X 3-1/2
15	813200300	Elbow Std 90 Degree 3/8-18 Npt
16	811050500	Washer Lock Ext Tooth 5/16
23	532159880	Shield Brn/Dbr Guard
29	532137180	Kit Spark Arrestor (Flat Scrn)
31	532161911	Tank Fuel Front 2 00
32	532140527	Cap Asm Fuel W/sym Vented
33	532123487	Clamp Hose Black
35	817490512	Screw
37	532137040	Line Fuel 20"
38	-----	Plug Oil Drain (Order From Engine Manufacturer)
40	532124028	Bushing Snap Nyl Blk Fuel Line
44	817490412	Screw Hexwsh Thdrol 1/4-20x3/4
46	819091416	Washer 9/32 X 7/8 X 16 Ga
62	810040500	Washer Lock Hvy Hlcl Spr 5/16
77	819101216	Washer 5/16 x 3/4 x 16 Ga.
79	532125398	Bolt Hex
80	874760508	Bolt Hex Hd 5/16-18 UNC x 1/2
81	532128861	Nut Flange 1/4-20 Starter Nut
101	532163305	Nut Flange M8-1.25 Non-Lk Zinc

NOTE: All component dimensions given in U.S. inches
1 inch = 25.4 mm

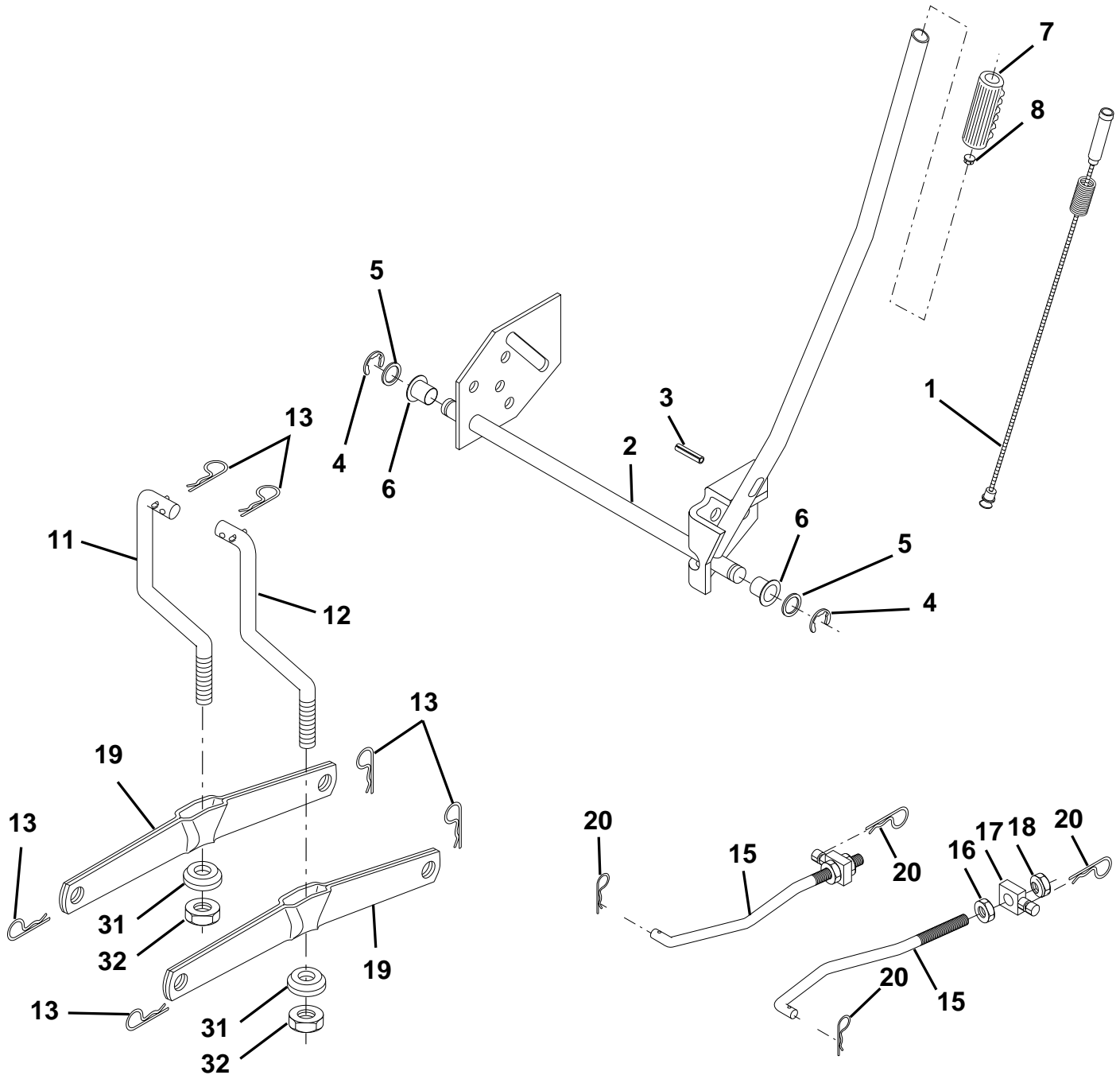
REPAIR PARTS

TRACTOR - MODEL NUMBER LTH130 (HCLTH130J), PRODUCT NO. 954 14 00-05
MOWER DECK

KEY NO.	PART NO.	DESCRIPTION	KEY NO.	PART NO.	DESCRIPTION
1	532162809	Deck Weldment Mower	61	532131950	Spring Ext. Elect
2	872140506	Bolt Rdhd Sqnk 5/16-18unc X3/4	68	532144200	V-Belt Mower
3	532138017	Bracket Asm Fr Sway Bar 38/42	83	532120958	Washer Sintered
4	532138440	Bracket Asm Deck 42"sway Bar	84	532156084	Keeper 'Belt Idler
5	532124670	Retainer Spring	85	872140620	Bolt Carriage 3/8-16 x 2-1/2 Gr.5
6	532130832	Arm Suspension Rear	90	874760616	Bolt Fin Hex 3/8-16unc X 1
8	532850857	Bolt 3/8-24x1 25 Gr8 Patched	91	532132274	Bracket Asm Noseroller LH
9	810030600	Washer Lock Hvy 3/8 Unplated	92	873800600	Nut Lock Hex w/ins. 3/8-16 UNC
10	532140296	Washer Hard Blade Mower Vented	93	819171416	Washer 17/32 X 7/8 X 16 Ga
11	532134149	Blade Mower Mulching 42"	94	532132264	Roller Nose 38 & 42
12	532129895	Bearing Ball #6204 (Mandrel)	95	532132273	Bracket Asm Noseroller RH
13	532137645	Shaft Asm W/lower Bearing	101	532136420	Cover Mulching 42" Blk
14	532128774	Housing Mandrel Vented(machd)	102	871161010	Screw
15	532110485	Bearing Ball Mandrel	103	819061216	Washer #10
16	532140329	Stripper Round Mower	104	810071000	Washer Lock #10
17	872110618	Bolt Rdhd Sqnk 3/8-16 X 2-1/4	105	532160793	Latch Asm Bagger
18	872140505	Bolt Carr 5/16-18 X 5/8	106	532125004	Nut Weld .327/.304 #10-24
19	532132827	Bolt Shoulder	116	532137644	Bolt Shld "A" 2.41 "B" 1.66
20	532159770	Baffle Vortex 42	117	532133957	Wheel Gauge blk. 4.93
21	873680500	Nut Crown Lock 5/16-18	118	873930600	Nut Centerlock 3/8 - 16 UNC
22	532134753	Stiffener Bracket 42"deck	119	819121414	Washer 3/8 x 7/8 x 14 Ga.
23	532131267	Bracket Deflector Mower 42"	125	876020816	Cotter Pin
24	532105304	Cap Sleeve 80x 112 Blk Mower	128	532153390	Washer Felt
25	532123713	Spring Torsion Deflector 2 52	129	819131312	Washer 13/32 x 13/16 x 12 Ga.
26	532110452	Nut Push Phos & Oil	130	874780616	Bolt Fin Hex 3/8-16 UNC x 1 Gr. 5
27	532130968	Shield Deflector Mower 42" Blk	131	872140608	Bolt RDHD SQNK 3/8-16 UNC x 1
28	819111016	Washer 11/32 X 5/8 X 16 Ga	132	819132203	Washer 13/32 x 1-3/8 x 3 Ga
29	532131491	Rod Hinge 42"6 75 Wlg	133	872110622	Bolt RdHd 3/8-16 UNC x 2-3/4 Gr. 5
30	532157722	Screw Thdrol Washer Head	134	532156941	Pin Head Rivet
31	532129963	Washer Spacer Mower Vented	135	532159765	Bracket Asm. Whl Ga Rear LH 42"
32	532153535	Pulley Mandrel 42"	136	532155986	Bar Pnt Adjusting Wheel Guage
33	532137266	Nut 9/16top Lock Flng Cntr	137	872110505	Bolt Carriage 5/16-18 x 5/8 Short
35	532133835	Fastner Christmas Tree	138	532159763	Bracket Asm. Whl Ga. Rear RH 42"
36	532131494	Pulley Idler Flat 3 060	139	532159767	Bracket Asm. Whl Ga. Front RH 42"
37	819131316	Washer 13/32 X 13/16 X 16 Ga	140	532159768	Bracket Asm. Whl Ga. Front LH 42"
38	532132823	Spacer Spring Stop Idler	--	532162859	Deck Serv 42" Elec Vent (Standard
40	873680600	Nut Lock 3/8-16 Unc			Deck - Order Nose Roller, Gauge
44	532140088	Guard Mandrel LH Black			Wheel and Mulcher Plate
46	532137729	Screw Thdrol 1/4-20x5/8			components separately Key Nos.
54	532133943	Washer Hardened	--	532130794	90-95, 101-106 and 111-121)
55	532140084	Arm Idler 42"mower LT/YT			Mandrel Assembly (Includes Key
56	532122052	Spacer Retainer Pm Mower			Numbers 8-10, 12-15, 31 and 33)
59	532141043	Guard, Belt			

REPAIR PARTS

TRACTOR - MODEL NUMBER LTH130 (HCLTH130J), PRODUCT NO. 954 14 00-05
MOWER LIFT



REPAIR PARTS

TRACTOR - MODEL NUMBER LTH130 (HCLTH130J), PRODUCT NO. 954 14 00-05
MOWER LIFT

KEY NO.	PART NO.	DESCRIPTION
1	532159460	Wire Asm Inner W/plunger
2	532159471	Shaft Asm Lift
3	532105767	Pin Groove
4	812000002	E Ring #5133-62
5	819211621	Washer PLTD 21/32 X 1 X 21ga
6	532120183	Bearing Nylon Blk 629 Id
7	532109413	Grip Handle Bicycle
8	532124526	Button Plunger Black
11	532139865	Link Lift LH
12	532139866	Link Lift RH
13	532124670	Retainer Spring
15	532127218	Link Front
16	873350800	Nut Jam Hex 1/2-13 Unc
17	532130171	Trunnion Blk Zinc
18	873680800	Nut Crownlock 1/2-13unc
19	532139868	Arm Suspension Rear
20	532163552	Spring, Retainer
31	532140302	Bearing Pvt. Lift Spherical
32	873540600	Nut Crownlock 3/8-24

NOTE: All component dimensions given in U.S. inches
1 inch = 25.4 mm