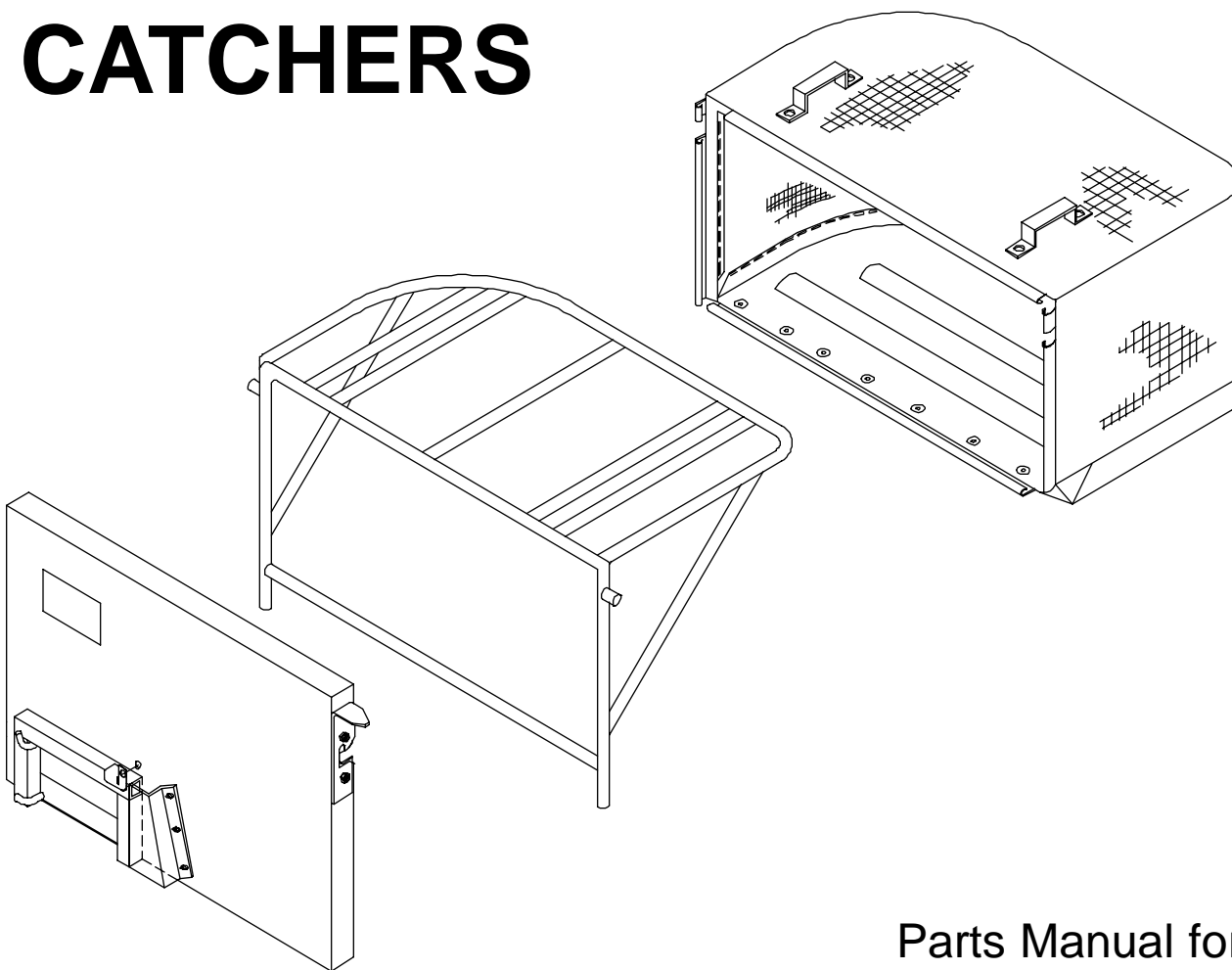




GRASS & LEAF CATCHERS



Parts Manual for:
MODEL : 539104727 3 Bu.
MODEL : 539104728 5 Bu.

Husqvarna policy is to improve its products whenever it is possible and practical to do so. In an effort to keep pace with changes in technology, Husqvarna reserves the right to make changes or improvements at any time without incurring any obligation to make such changes on products previously manufactured.

INTRODUCTION

This manual covers the assembly, installation and SAFE use of your HUSQVARNA GRASS CATCHER.

When using your HUSQVARNA GRASS CATCHER always follow the safety and use instructions below as well as those covered in your Commercial Mower Operator's Manual.

- A. DO NOT REMOVE DEFLECTOR CHUTE.
- B. DO NOT OPERATE MOWER WITHOUT CATCHER HOPPER IN PLACE.
- C. DISENGAGE BLADES BEFORE OPENING OR REMOVING HOPPER.
- D. INSPECT CATCHER HOPPER FOR TEARS AND HOLES BEFORE EACH USE. REPAIR OR REPLACE AS REQUIRED.

BACKPLATE ASSEMBLY (All Models)

Install latches on both sides of backplate using two (2) each #10-24 x 5/8 pan head screws, 1/4 diameter spring washer and #10-24 Nyloc nut for each latch. DO NOT completely tighten nuts. Latches must slide up and down easily for installation/removal of catcher hopper.

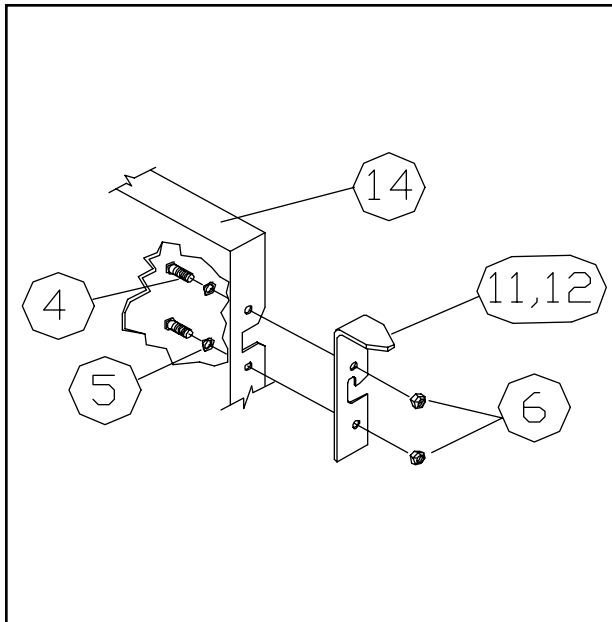


FIGURE 1

BACKPLATE INSTALLATION (All Models)

Swing deflector chute onto top of belt shield. DO NOT REMOVE DEFLECTOR CHUTE.

Tip rear of backplate approximately 45 degrees and slide pin into slot in catcher mounting bar on top of mower deck, lower rear of backplate to secure to mower deck, depress locking pin to catcher mounting bar and release allowing locking pin to engage in hole in catcher mounting bar.

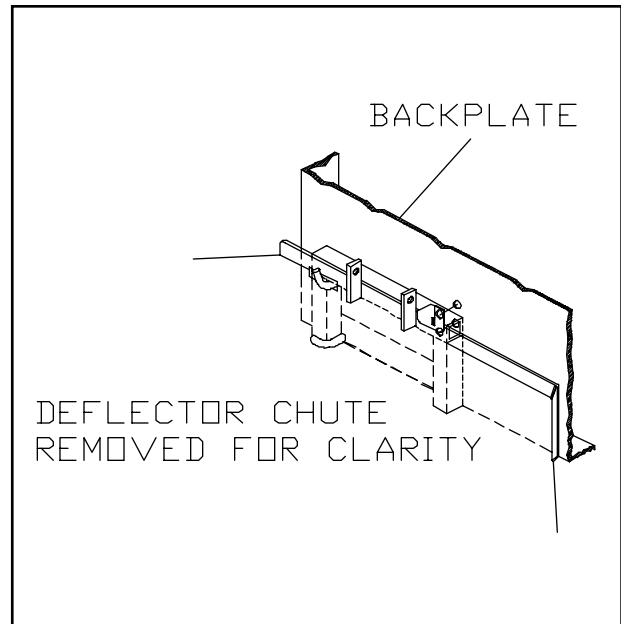


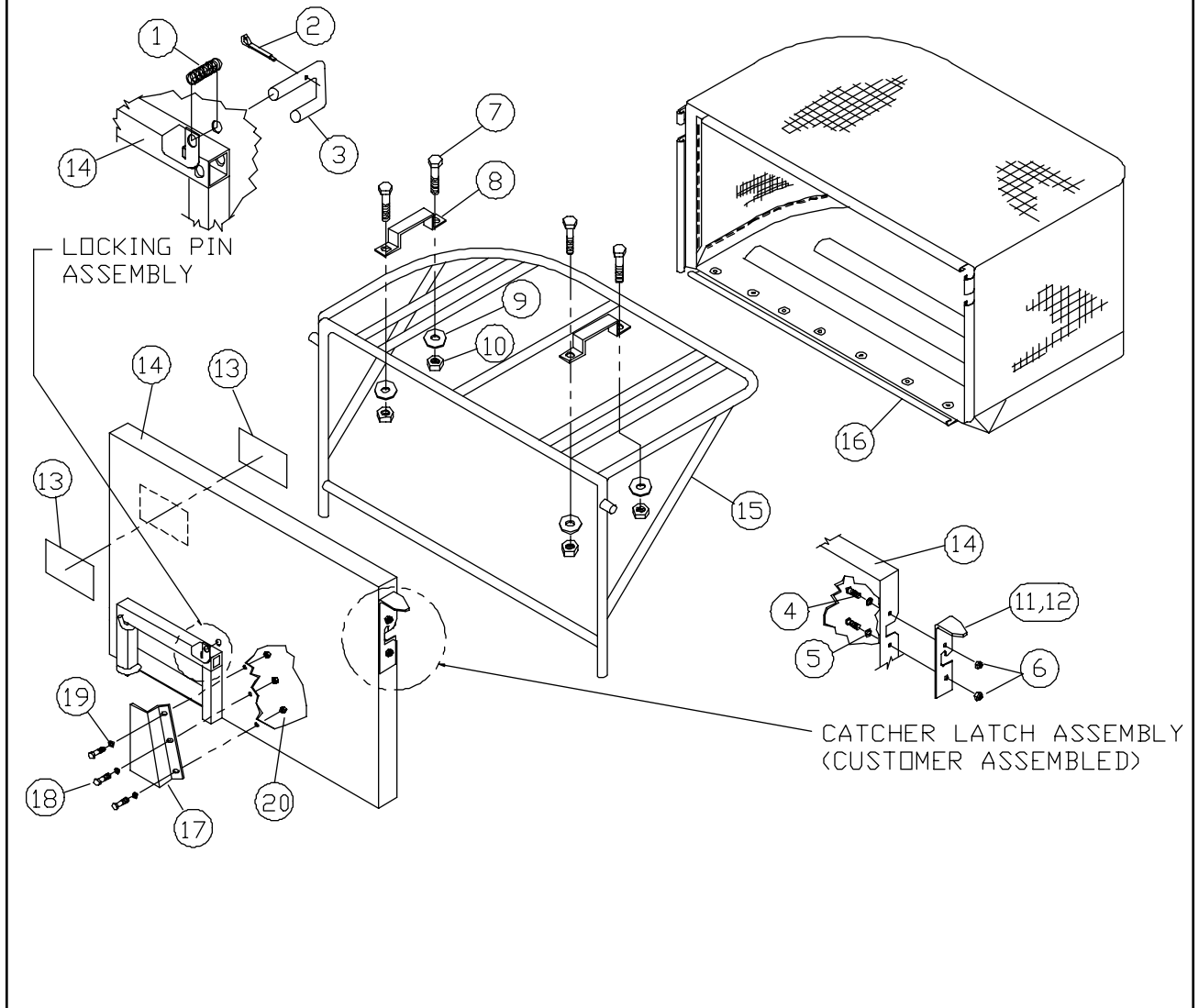
FIGURE 2

TECHNICAL ASSISTANCE

If you have any questions pertaining to your machine contact your dealer. To locate the nearest dealer please call: 1-800-HUSKY-62.

For technical assistance please write: Husqvarna, 9906 Perimeter Woods Drive, Charlotte, NC, 28216 or call: 1-800-HUSKY-MD.

MODEL 539104727
3 BUSHEL GRASS CATCHER

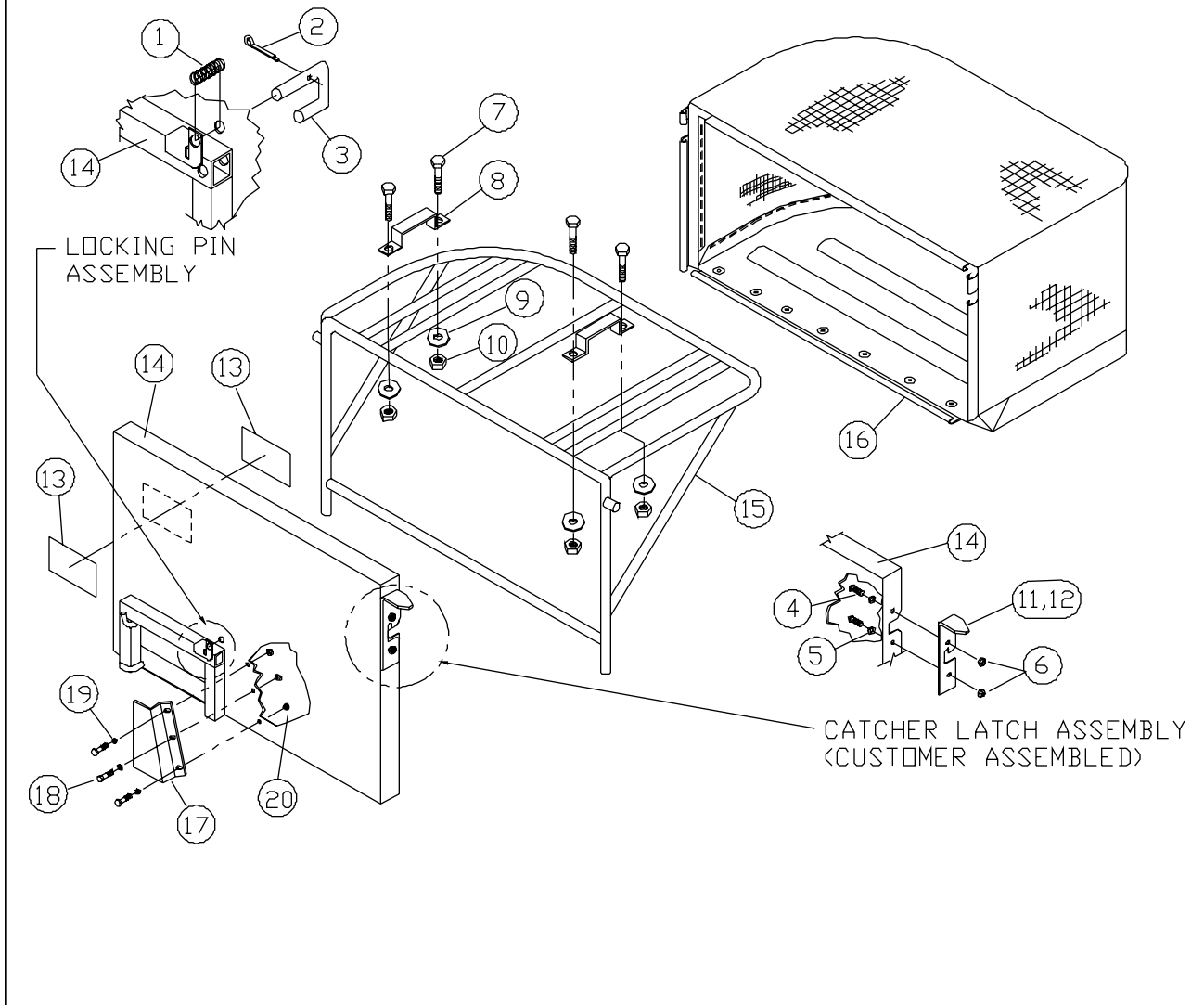


PART		
ITEM NO.	QTY.	DESCRIPTION
1	1	5399778561..... Compression Spring
2	1	5391003061..... Locking Pin
3	1	5399905551..... 3/32 x 1/2 Cotter Pin
4	4	5399769524..... 10-24 x 5/8 Panhead Screw
5	4	5399769834..... 1/4 Dia. Spring Washer
6	4	5399769774..... 10-24 Nyloc Nut
7	4	5399905484..... 1/4-20 x 1 HH Capscrew
8	2	5399765852..... Hopper Handle
9	4	5399905984..... 1/4 Flat Washer
10	4	5399769784..... 1/4-20 Nyloc Nut

PART		
ITEM NO.	QTY.	DESCRIPTION
11	1	5399765811..... Catcher Latch, Right
12	1	5399765821..... Catcher Latch, Left
13	2	5399765832..... Warning Decal
14	1	5391003091..... Backplate
15	1	5391003341..... Hopper Frame
16	1	5391045451..... Fabric Bag
17	1	5391021931..... Adapter Shield
18	3	5399769343..... 5/16C X 3/4 HCS
19	3	5399901843..... Washer Flat 5/16
20	3	5399906923..... 5/16C Nut

Order replacement parts by part no. and description.

**MODEL 539104728
5 BUSHEL LEAF CATCHER**



PART			
ITEM NO.	QTY.	DESCRIPTION	
1	1	Compression Spring	539977856
2	1	Locking Pin	539100306
3	1	3/32 x 1/2 Cotter Pin	539990555
4	4	10-24 x 5/8 Panhead Screw	539976952
5	4	1/4 Dia. Spring Washer	539976983
6	4	10-24 Nyloc Nut	539976977
7	4	1/4-20 x 1 HH Capscrew	539990548
8	2	Hopper Handle	539976585
9	4	1/4 Flat Washer	539990598
10	4	1/4-20 Nyloc Nut	539976978

PART			
ITEM NO.	QTY.	DESCRIPTION	
11	1	Catcher Latch, Right	539978581
12	1	Catcher Latch, Left	539976582
13	1	Warning Decal	539976583
14	1	Backplate	539100310
15	1	Hopper Frame	539100335
16	1	Fabric Bag	539100268
17	3	Adapter Shield	539102193
18	3	5/16C X 3/4 HCS	539976934
19	3	Washer Flat 5/16	539990184
20	1	Nut 5/16C	539990692

Order replacement parts by part no. and description.

 **Husqvarna**