

Walk Behind Mower Dethatcher Instruction Sheet

Husqvarna

DETHATCHER KIT

Kit No.

606 00 00 01 Husqvarna

For use on:

580 / 600 Series Self-Propelled Walk Behind Mowers
(Not for use with swivel wheel models)



WARNING: FAILURE TO FOLLOW INSTRUCTIONS could result in personal injury and/or damage to unit.
Read, understand, and follow all safety practices in Owner/Operator Manual before beginning.

PACKAGE CONTENTS

Check the contents of your kit for the parts listed below.
See Figure 5 for Service Parts information.

- Dethatcher Assembly (1)
- Dethatcher Retainer Weldment (1)
- Round Head Square Neck Bolts (4)
- Center Lock Nuts (4)

SAFETY PRECAUTIONS

Training

Before operation of this equipment, carefully and completely read this instruction sheet and the manuals supplied with your mower. The contents will provide an understanding of safety instructions and controls during normal operation and maintenance of the unit.

For safety and the safety of others read and follow DANGER, WARNING, and CAUTION messages found in manuals and on safety decals.

Preparation

Thoroughly inspect and clear work area of objects which might become entangled in Dethatcher or picked up and thrown by mower. Remove all sticks, cords, containers, stones and other foreign objects.

Check for loose or broken tines. Replace broken tines immediately. DO NOT alter or remove any part of tine retention rod. Tines or parts which fall from dethatcher could be picked up and thrown by mower. If retention rod breaks or has been removed from dethatcher, replace rod before operating dethatcher.



WARNING: ACCIDENTAL ENGINE START UP can cause death or serious injury.
ALWAYS stop engine, remove key, wait for moving parts to stop and remove wire from spark plug before adjusting or servicing.

ASSEMBLY

NOTE: Commercial models may already have a dethatcher retainer installed.

1. Move height adjustment levers as far forward in front quadrant as possible to ease installation.
2. Secure dethatcher retainer to front quadrants with bolts and lock nuts.

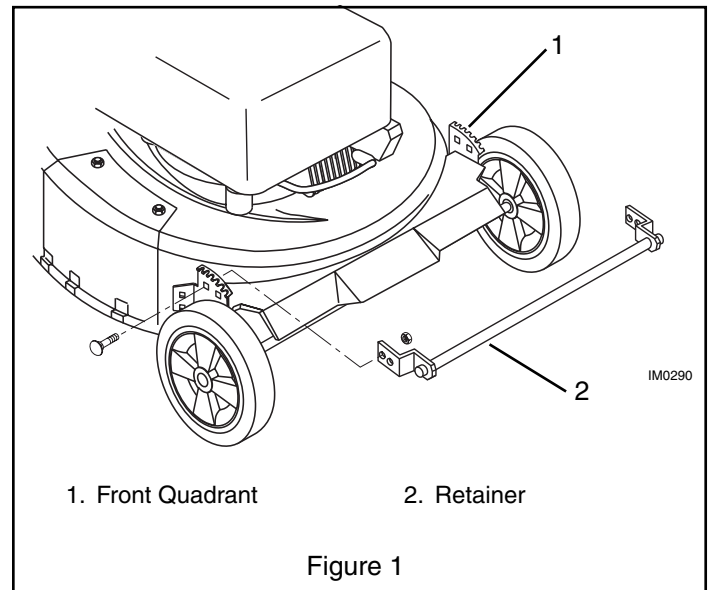
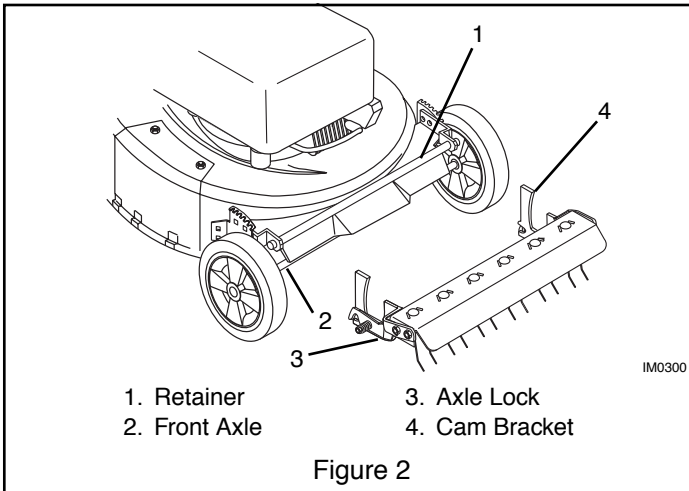


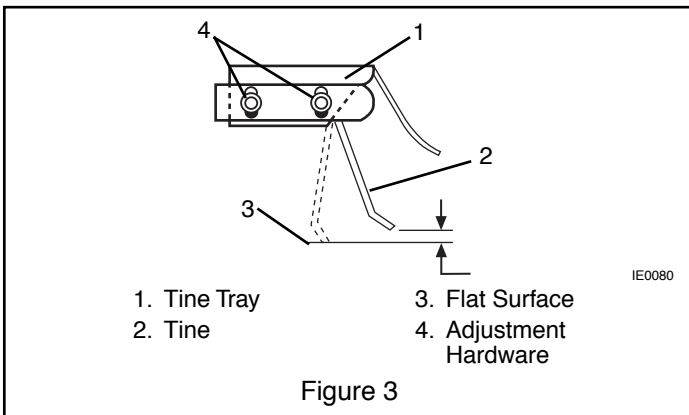
Figure 1

INSTALLATION

1. Open axle locks (one up and one down). Hook cam brackets behind retainer and onto front axle. Release axle locks to secure dethatcher to front axle.



2. With dethatcher installed on machine, position machine on a flat level surface. Loosen hardware on sides of tray mounting brackets.
3. Adjust tine tray so tine tips are approximately 1/2" above surface when in their free position and only lightly scratching surface when pushed to rear. For proper flicking action of tines, be sure to keep surface of tine tray level with ground.



OPERATION



WARNING: Thrown parts can cause injury or death. Tines or parts which fall from dethatcher could be picked up and thrown by mower. Check for loose or broken tines. Replace broken tines immediately. **DO NOT** alter or remove any part of tine retention rod. If retention rod breaks or has been removed from dethatcher, replace rod before operating dethatcher.

Be familiar with area of operation. Stay alert for holes, rocks, roots, and hidden hazards.

Dethatcher is intended for use with mower and bagger. Thatch loosened by dethatcher along with grass clippings are deposited in bagger during normal mowing operation. Decaying grass clippings and root runners produce thatch. This is a slow process and excessive buildup of thatch can occur. A thin layer of thatch is beneficial and should remain in lawn. It protects grass roots from direct sunlight yet allows air, water and fertilizer to reach root system. It decays slowly and acts as a fertilizer to promote grass growth.

Every lawn is different, so there are no rules for when to use dethatcher. A lawn that is very dense should be dethatched more often than a less dense one. On a very dense lawn, dethatcher should be used about every third or fourth cutting.

Lawns that have not been dethatched regularly may require use of dethatcher for 3 or 4 consecutive mowings (in alternate patterns) to obtain the best thatch conditions.

Ground conditions should be somewhat dry for dethatching to help prevent damage to grass root system. Dethatching during a dry summer is not recommended.

Tines should deflect backward independently and flip thatch forward. If tines drag without flipping forward, tine tray is set too low. If tines stay in free position, tray is set too high. Adjust up to 1/8" at a time in required direction until proper tine action is achieved (refer to installation instructions).

MAINTENANCE AND STORAGE



WARNING: ELECTRIC SHOCK can cause injury or death. Stop engine, wait for moving parts to stop, remove wire from spark plug and place it where it cannot contact spark plug when servicing.

Keep all nuts, bolts, and screws tight and be sure equipment is in safe working condition. At regular intervals, check for loose or broken tines and tighten or replace immediately.



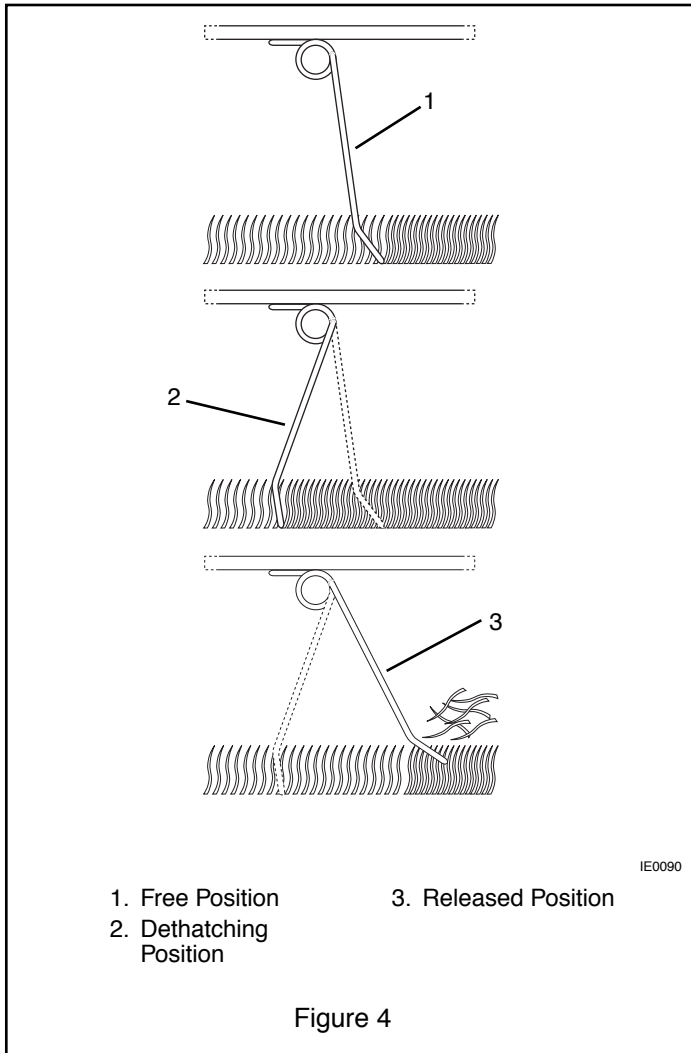
CAUTION: Always store with tines down on dry floor. Tines may cause puncture or scratch injuries.

DO NOT store dethatcher with tines in or on the ground; severe rusting could result.

Clean dethatcher thoroughly. Touch up painted areas to avoid rust. Store dethatcher in a dry area.

Transport

Equipment should be shut off for transport. If dethatching is not planned, remove dethatcher from mower.



SERVICE PARTS

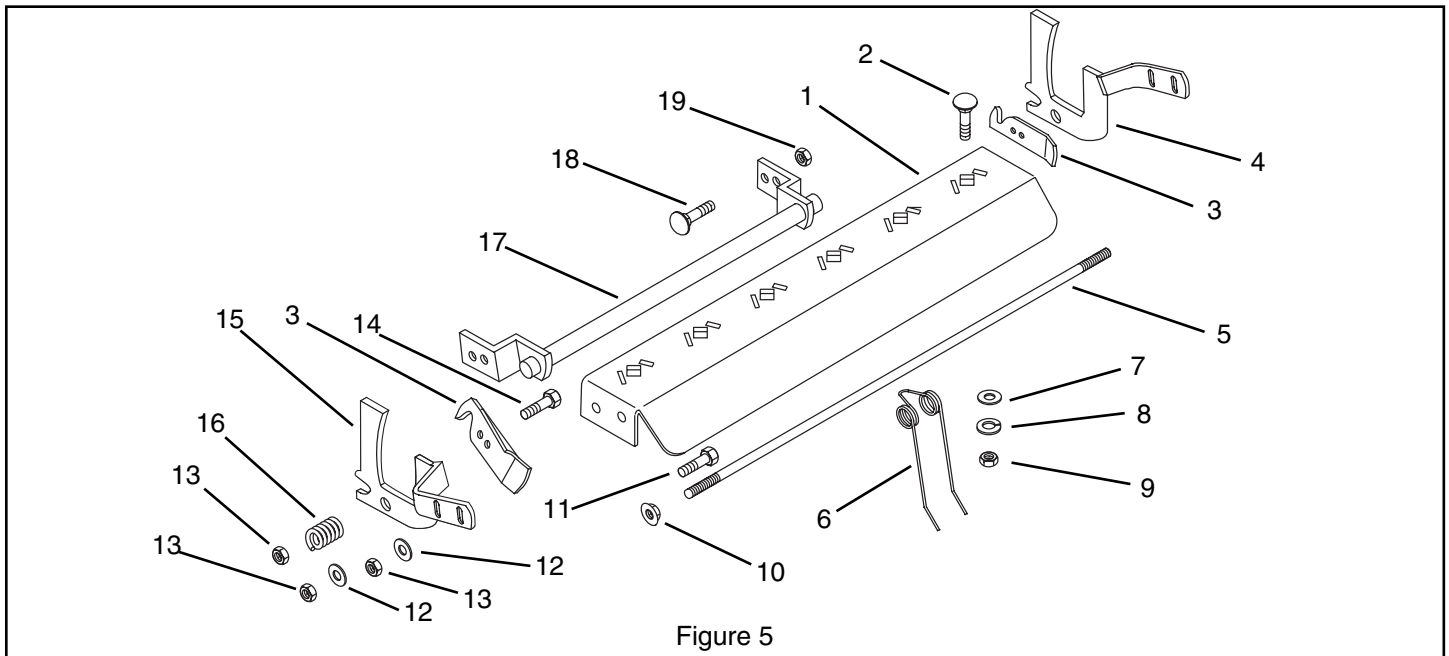


Figure 5

Service Parts List			
Item	Qty	Description	Husqvarna P/N
1	1	Tine Plate	606 00 02 57
2	6	Bolt-Round Head Square Neck .31-18 x .75 Grade 2	606 00 00 80
3	2	Axle Lock	606 00 02 58
4	1	Cam Bracket-Left Hand	606 00 02 60
5	1	Rod, Retention	606 00 02 59
6	6	Tine	606 00 02 62
7	6	Washer-Flat-Steel .328 x 1.0 x .094	606 00 02 67
8	6	Washer-Locking .312 x .097	606 00 01 99
9	6	Nut-Hex .31-18	606 00 02 05
10	2	Nut-Locking-Flange .250-20	606 00 00 88
11	2	Bolt-Hex .25-20 x .75 Grade 5	606 00 02 66
12	4	Washer-Flat-Steel .281 x .62 x .065	606 00 00 46
13	6	Nut-Locking-Center .25-20	606 00 00 49
14	2	Bolt-Hex .25-20 x 1.25 Grade 5	606 00 02 67
15	1	Cam Bracket-Right Hand	606 00 02 61
16	2	Spring-Compression .058 x .68 x .75	606 00 02 69
17	1	Dethatcher Retainer Weldment	606 00 02 70
18	4	Bolt-Round Head Square Neck .31-18 x .62	606 00 01 27
19	4	Nut-Locking-Center .31-18	606 00 00 50