



SPARE PARTS LIST

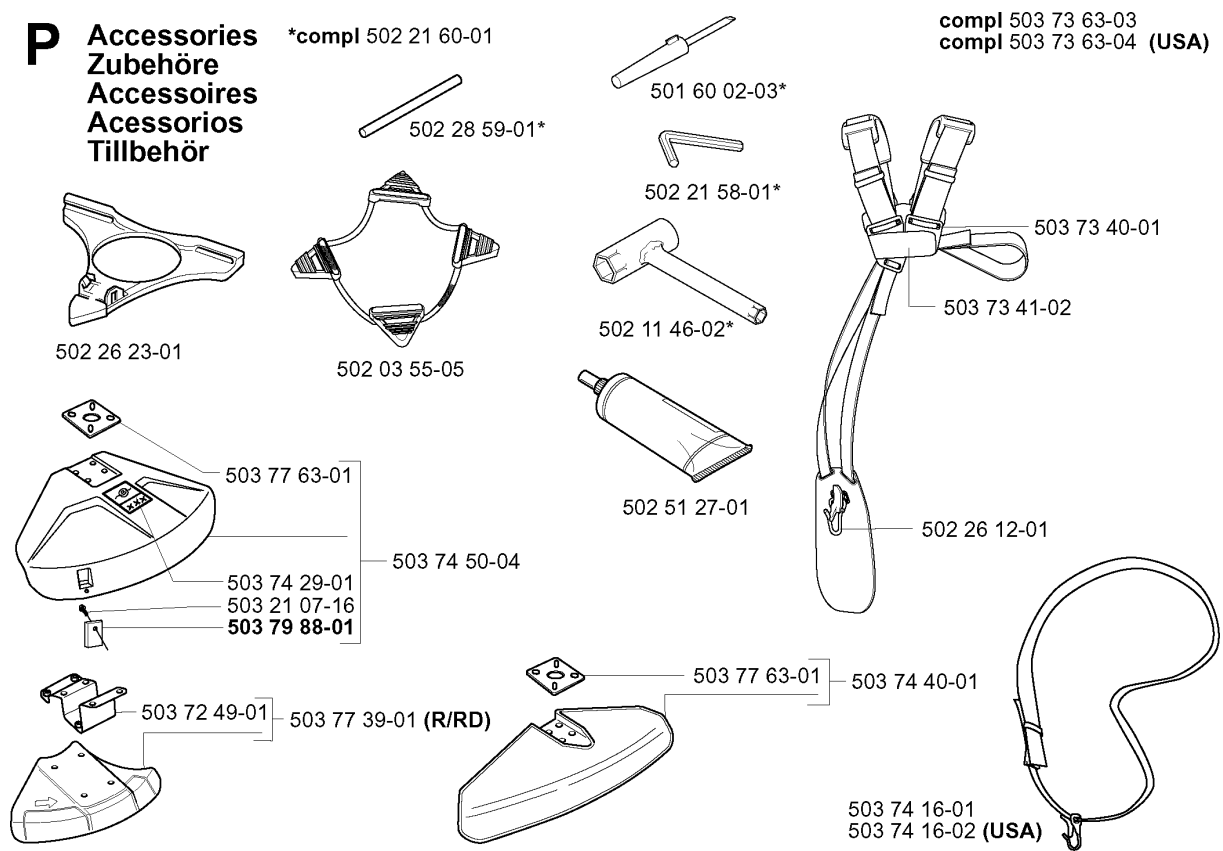
BRUSHCUTTERS/CLEARING SAWS

227 RJ, 2000-10

P Accessories
Zubehöre
Accessoires
Accesorios
Tillbehör

*compl 502 21 60-01

compl 503 73 63-03
compl 503 73 63-04 (USA)

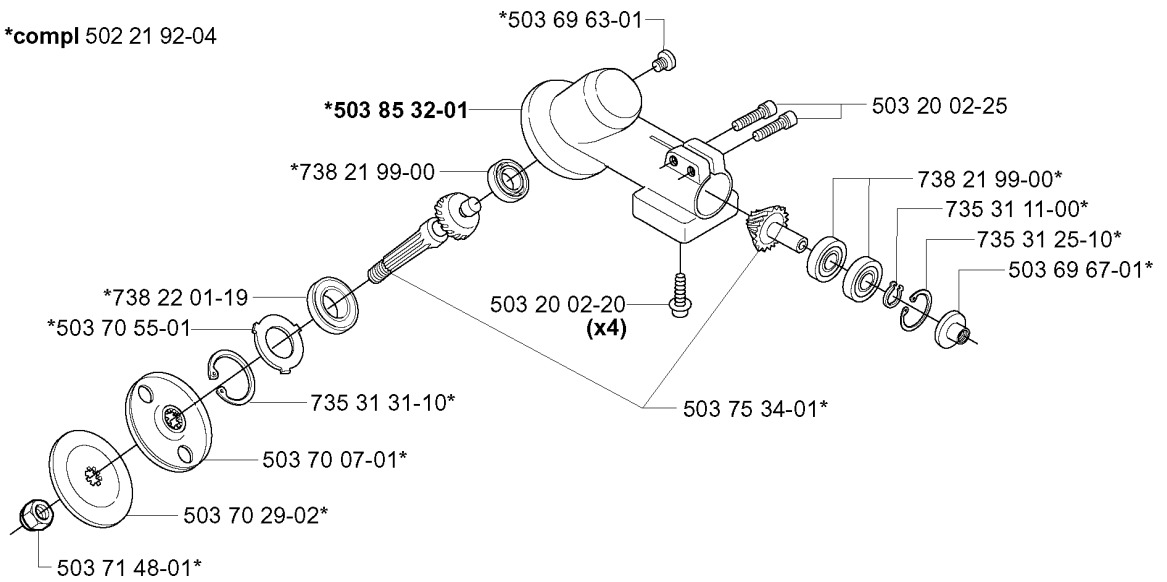


ACCESSORIES

227 RJ, 2000-10

| Part No | Description | Remark | QTY KIT |
|--------------|-----------------|--------|---------|
| 501 60 02-03 | SCREWDRIVER | | 1 |
| 502 03 55-05 | TRANSPORT GUARD | | 1 |
| 502 11 46-02 | SOCKET WRENCH | | 1 |
| 502 21 58-01 | L-NYCKEL | | 1 |
| 502 21 60-01 | ACCESSORY BAG | | 1 |
| 502 26 12-01 | WELT HOOK | | 1 |
| 502 26 23-01 | TRANSPORT GUARD | | 1 |
| 502 28 59-01 | STOP | | 1 |
| 502 51 27-01 | GREASE | | 1 |
| 503 21 07-16 | SCREW IHSCFT | | 1 |
| 503 72 49-01 | ADAPTER | | 1 |
| 503 73 40-01 | FRONT PIECE | | 1 |
| 503 73 41-02 | FRONT PIECE | | 1 |
| 503 73 63-03 | HARNES | | 1 |
| 503 73 63-04 | HARNES ASSY | USA | 1 |
| 503 74 16-01 | HARNES ASSY | | 1 |
| 503 74 16-02 | HARNES ASSY | USA | 1 |
| 503 74 29-01 | DECAL | | 1 |
| 503 74 40-01 | BLADE GUARD | | 1 |
| 503 74 50-04 | TRIMMER GUARD | | 1 |
| 503 77 39-01 | SAW BLADE GUARD | R/RD | 1 |
| 503 77 63-01 | BASE PLATE | | 1 |
| 503 77 63-01 | BASE PLATE | | 1 |
| 503 79 88-01 | BLADE | | 1 |

K *compl 502 21 92-04

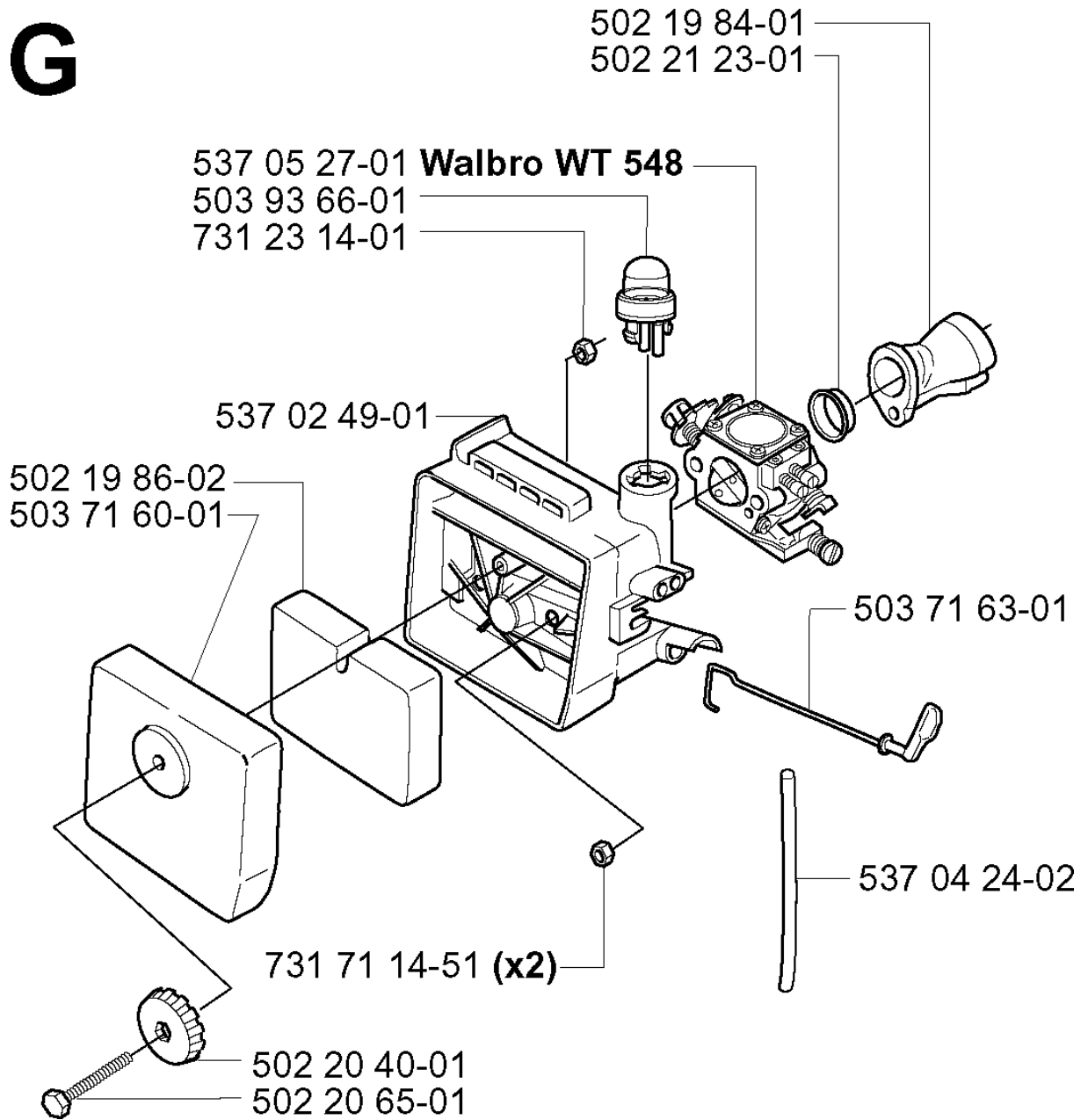


BEVEL GEAR

227 RJ, 2000-10

| Part No | Description | Remark | QTY KIT |
|--------------|-------------------|--------|---------|
| 502 21 92-04 | GEAR | | 1 |
| 503 20 02-20 | SCREW IHSCFM | | 4 |
| 503 20 02-25 | SCREW IHSCFM | | 1 |
| 503 69 63-01 | PLUG | | 1 |
| 503 69 67-01 | GASKET RING UPPER | | 1 |
| 503 70 07-01 | DRIVER | | 1 |
| 503 70 29-02 | SUPPORT FLANGE | | 1 |
| 503 70 55-01 | COVER WASHER | | 1 |
| 503 71 48-01 | NUT BLADE | | 1 |
| 503 75 34-01 | GEAR WHEEL | | 1 |
| 503 85 32-01 | GEAR HOUSING | | 1 |
| 735 31 11-00 | CIRCLIP | | 1 |
| 735 31 25-10 | CIRCLIP | | 1 |
| 735 31 31-10 | CIRCLIP | | 1 |
| 738 21 99-00 | BALL BEARING | | 1 |
| 738 21 99-00 | BALL BEARING | | 1 |
| 738 22 01-19 | BALL BEARING | | 1 |

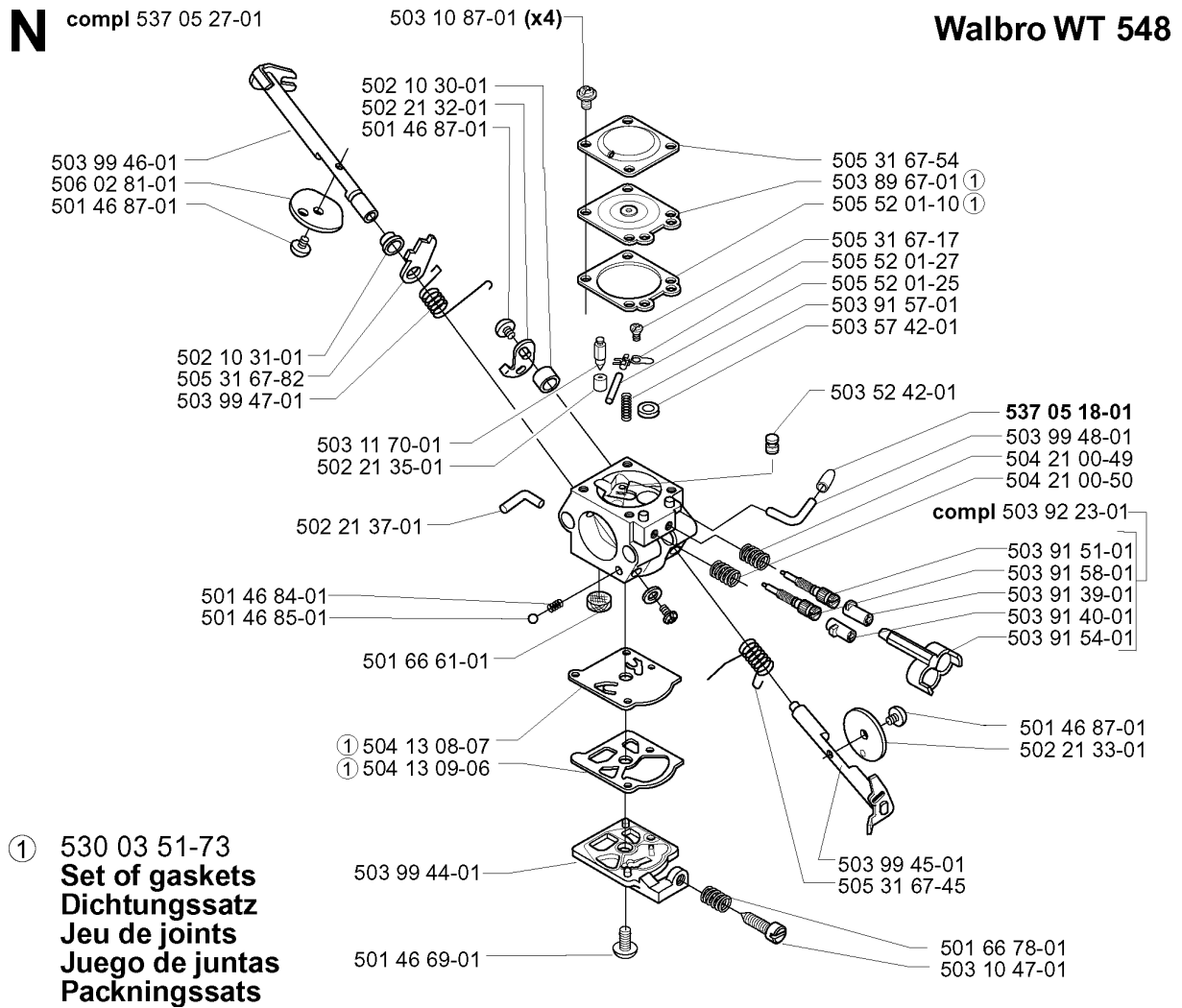
G



CARBURETOR & AIR FILTER

227 RJ, 2000-10

| Part No | Description | Remark | QTY KIT |
|--------------|---------------------|---------------|---------|
| 502 19 84-01 | INLET PIPE | | 1 |
| 502 19 86-02 | AIR FILTER | | 1 |
| 502 20 40-01 | KNOB | | 1 |
| 502 20 65-01 | SCREW EHHM | | 1 |
| 502 21 23-01 | SUPPORT RING | | 1 |
| 503 71 60-01 | FILTER COVER | | 1 |
| 503 71 63-01 | CHOKE CONTROL | | 1 |
| 503 93 66-01 | PRIMER HOUSING | | 1 |
| 537 02 49-01 | FILTER HOLDER | | 1 |
| 537 04 24-02 | FUEL HOSE | | 1 |
| 537 05 27-01 | CARBURETTOR | WALBRO WT 548 | 1 |
| 731 23 14-01 | HEXAGON NUT | | 1 |
| 731 71 14-51 | HEXAGON NUT FLANGED | | 2 |

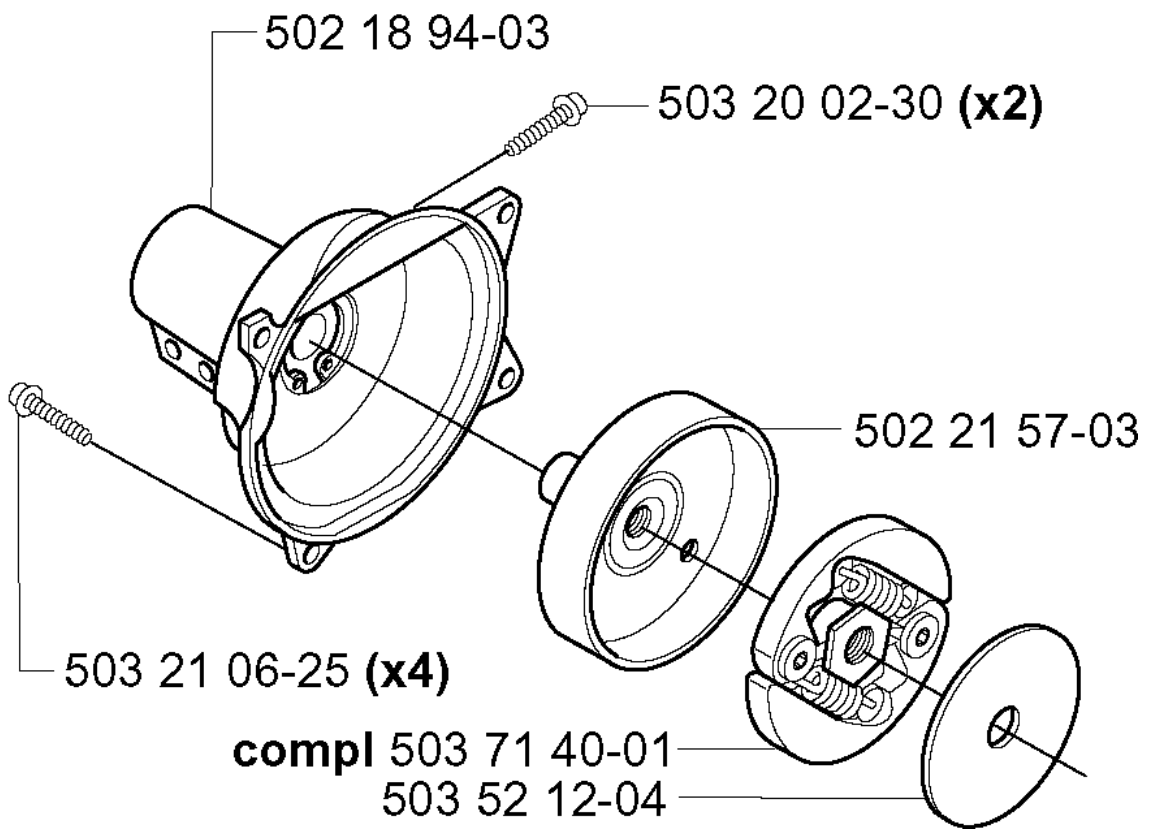


CARBURETOR DETAILS

227 RJ, 2000-10

| Part No | Description | Remark | QTY KIT |
|--------------|---------------------|-----------------------------|---------|
| 501 46 69-01 | SCREW | | 1 |
| 501 46 84-01 | SPRING | | 1 |
| 501 46 85-01 | BALL-CHOKE FRICTION | | 1 |
| 501 46 87-01 | SCREW | | 1 |
| 501 46 87-01 | SCREW | | 1 |
| 501 46 87-01 | SCREW | | 1 |
| 501 66 61-01 | SCREEN-INLET | | 1 |
| 501 66 78-01 | SPRING | | 1 |
| 502 10 30-01 | DISTANCE | | 1 |
| 502 10 31-01 | BUSHING | | 1 |
| 502 21 32-01 | LEVER THROTTLE | | 1 |
| 502 21 33-01 | VALVE THROTTLE | | 1 |
| 502 21 35-01 | SEAT INLET VALVE | | 1 |
| 502 21 37-01 | FITTING FUEL INLET | | 1 |
| 503 10 47-01 | SCREW | | 1 |
| 503 10 87-01 | SCREW | | 4 |
| 503 11 70-01 | VALVE-INLET NEEDLE | | 1 |
| 503 52 42-01 | NOZZLE ASSY | | 1 |
| 503 57 42-01 | PLUG-WELCH | | 1 |
| 503 89 67-01 | DIAPHRAGM | 530 03 51-73 SET OF GASKETS | 1 |
| 503 91 39-01 | LIMITER CAP | | 1 |
| 503 91 40-01 | LIMITER CAP | | 1 |
| 503 91 51-01 | NEEDLE | | 1 |
| 503 91 54-01 | RETAINER | | 1 |
| 503 91 57-01 | SPRING | | 1 |
| 503 91 58-01 | NEEDLE | | 1 |
| 503 92 23-01 | LIMITER CAP | | 1 |
| 503 99 44-01 | COVER | | 1 |
| 503 99 45-01 | SHAFT ASSY | | 1 |
| 503 99 46-01 | SHAFT ASSY | | 1 |
| 503 99 47-01 | SPRING | | 1 |
| 503 99 48-01 | FITTING | | 1 |
| 504 13 08-07 | DIAPHRAGM PUMP | 530 03 51-73 SET OF GASKETS | 1 |
| 504 13 09-06 | GASKET | 530 03 51-73 SET OF GASKETS | 1 |
| 504 21 00-49 | SPRING | | 1 |
| 504 21 00-50 | SPRING | | 1 |
| 505 31 67-17 | SCREW | | 1 |
| 505 31 67-45 | SPRING | | 1 |
| 505 31 67-54 | LOCK STYRMEMBRAN | | 1 |
| 505 31 67-82 | LEVER | | 1 |
| 505 52 01-10 | GASKET | 530 03 51-73 SET OF GASKETS | 1 |
| 505 52 01-25 | PIN-METERING LEVER | | 1 |
| 505 52 01-27 | LEVER | | 1 |
| 506 02 81-01 | VALVE | | 1 |
| 537 05 18-01 | PLUG | | 1 |
| 537 05 27-01 | CARBURETTOR | | 1 |

E



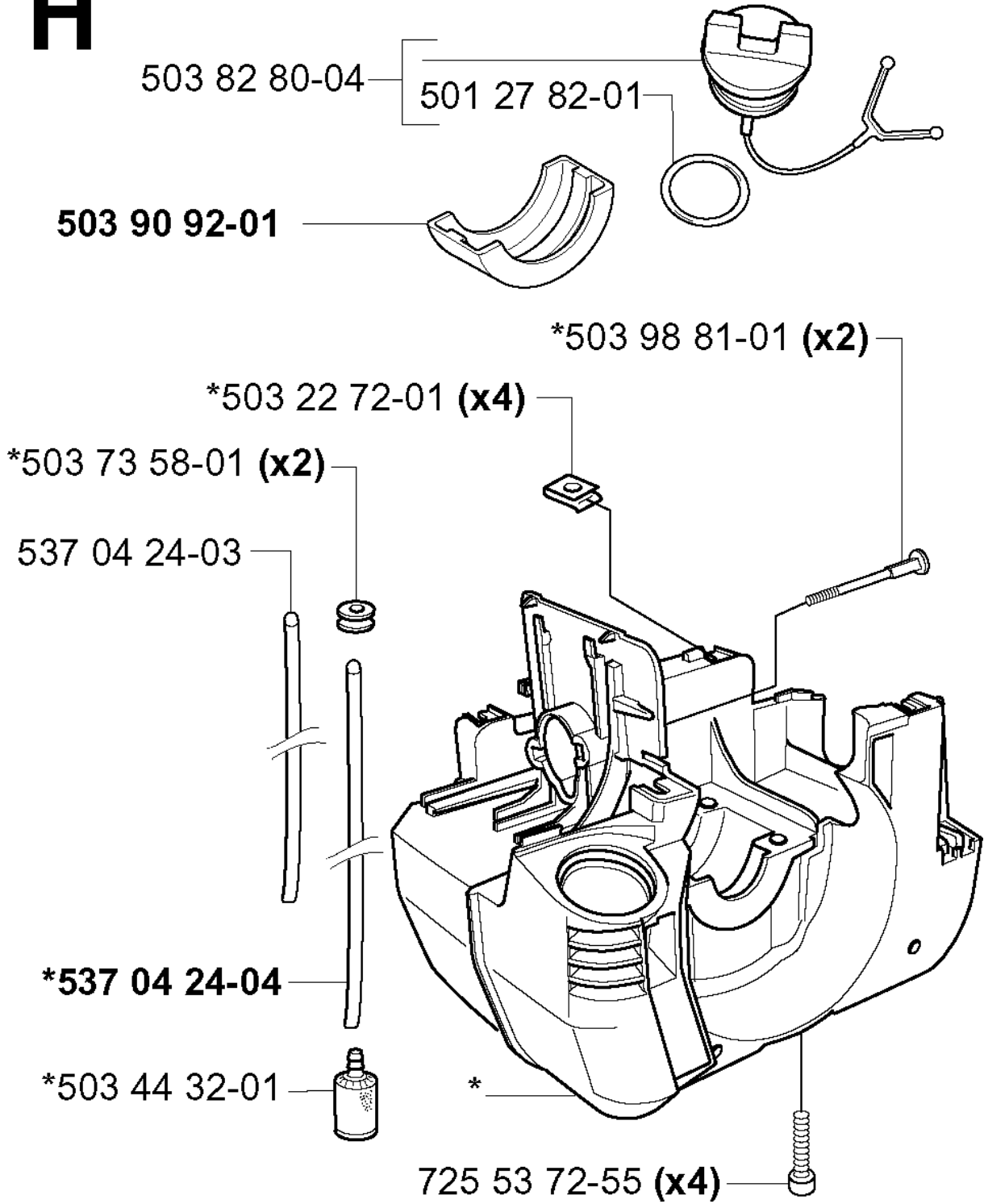
CLUTCH

227 RJ, 2000-10

| Part No | Description | Remark | QTY KIT |
|--------------|-------------------|--------|---------|
| 502 18 94-03 | CLUTCH COVER ASSY | | 1 |
| 502 21 57-03 | CLUTCH DRUM ASSY | | 1 |
| 503 20 02-30 | SCREW IHSCFM | | 2 |
| 503 21 06-25 | SCREW IHSCFT | | 4 |
| 503 52 12-04 | WASHER | | 1 |
| 503 71 40-01 | CLUTCH ASSY | | 1 |

H

***compl 503 84 00-02**



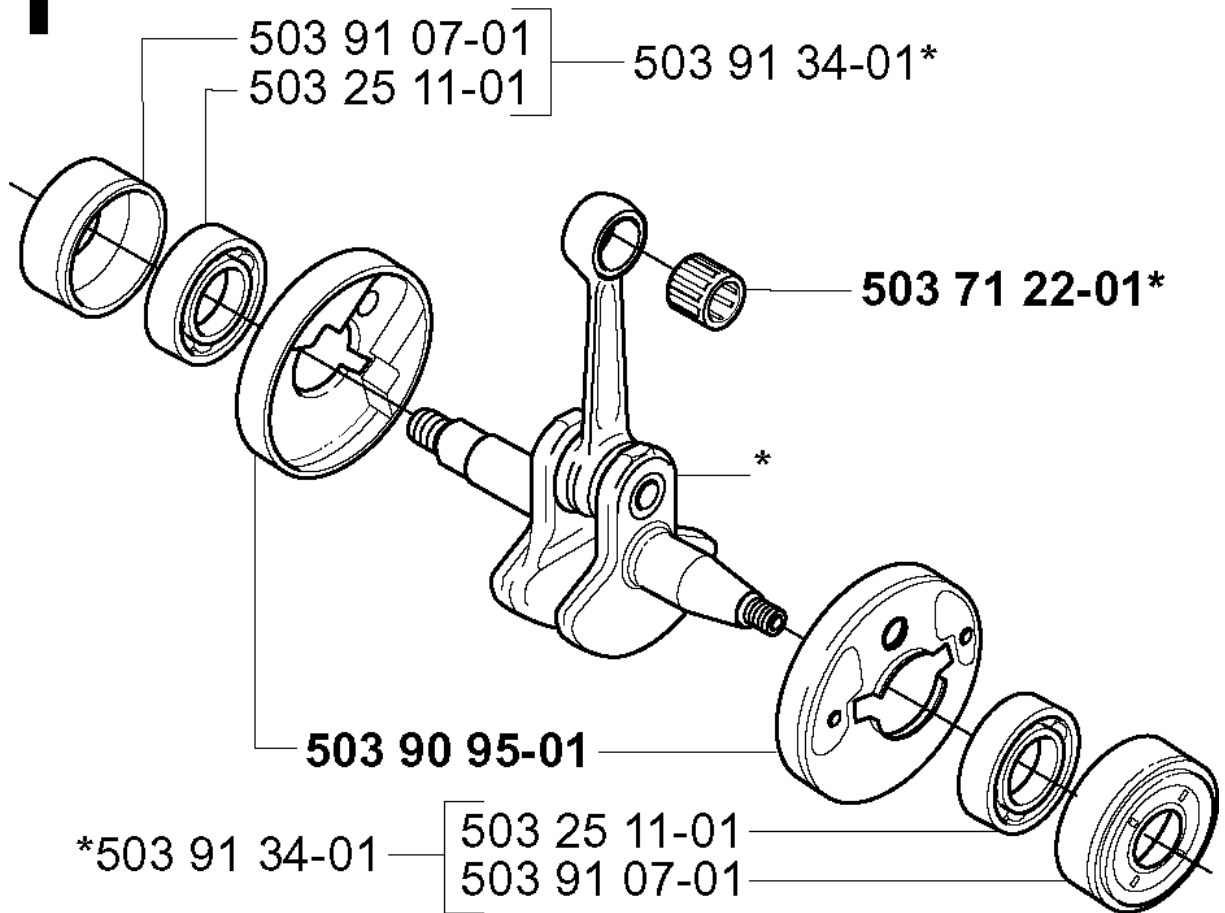
CRANKCASE

227 RJ, 2000-10

| Part No | Description | Remark | QTY KIT |
|--------------|---------------|--------|---------|
| 501 27 82-01 | GASKET | | 1 |
| 503 22 72-01 | SPEED NUT | | 4 |
| 503 44 32-01 | FILTER | | 1 |
| 503 73 58-01 | BUSHING | | 2 |
| 503 82 80-04 | TANK CAP ASSY | | 1 |
| 503 84 00-02 | CRANKCASE | | 1 |
| 503 90 92-01 | INSERT | | 1 |
| 503 98 81-01 | SCREW | | 2 |
| 537 04 24-03 | FUEL HOSE | | 1 |
| 537 04 24-04 | FUEL HOSE | | 1 |
| 725 53 72-55 | SCREW IHSCM | | 4 |

F

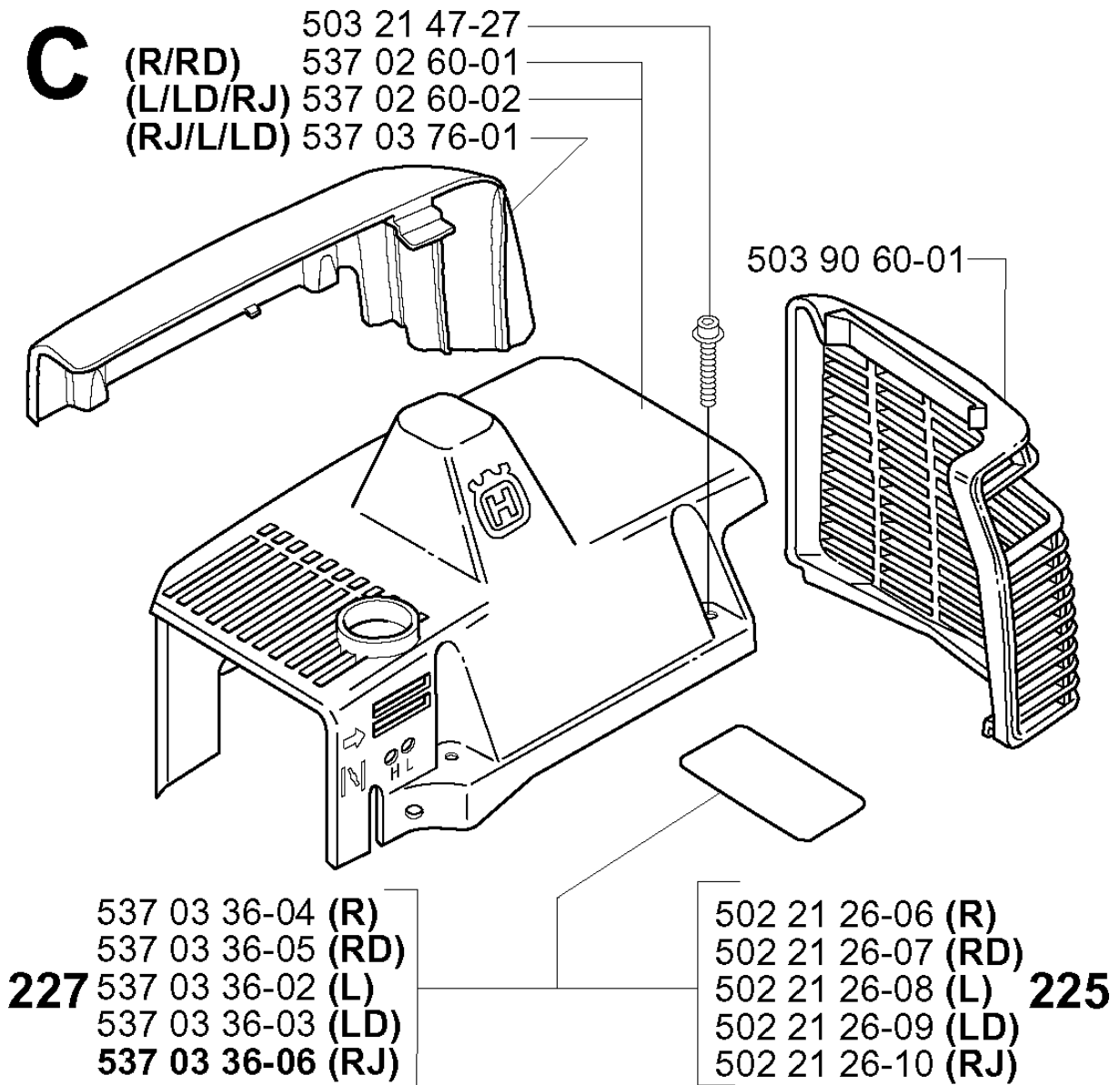
***compl 503 72 44-05**



CRANKSHAFT

227 RJ, 2000-10

| Part No | Description | Remark | QTY KIT |
|--------------|-----------------|--------|---------|
| 503 25 11-01 | BALL BEARING | | 1 |
| 503 25 11-01 | BALL BEARING | | 1 |
| 503 71 22-01 | BEARING | | 1 |
| 503 72 44-05 | CRANKSHAFT ASSY | | 1 |
| 503 90 95-01 | CUP | | 1 |
| 503 91 07-01 | BEARING CAGE | | 1 |
| 503 91 07-01 | BEARING CAGE | | 1 |
| 503 91 34-01 | BEARING CAGE | | 1 |
| 503 91 34-01 | BEARING CAGE | | 1 |

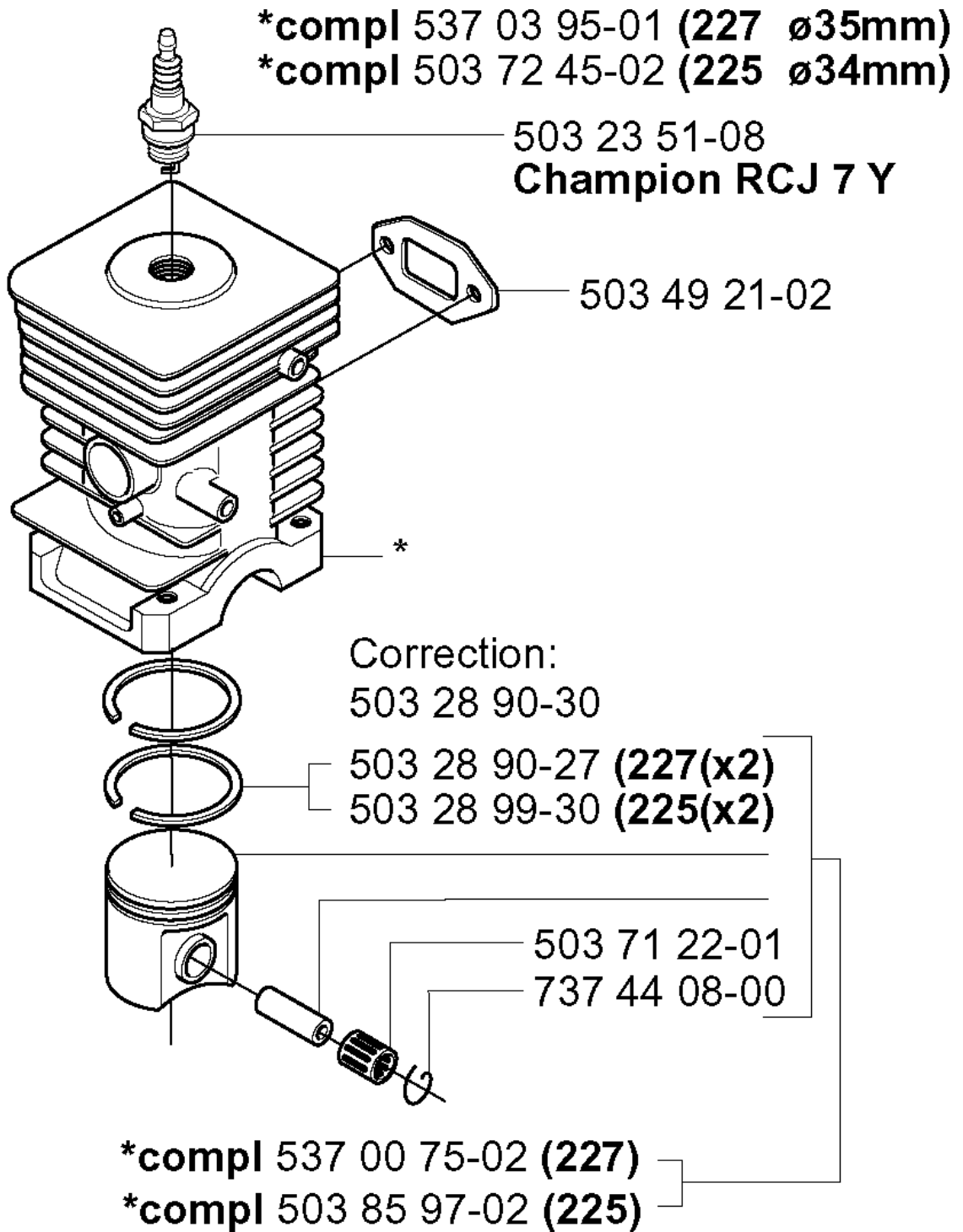


CYLINDER COVER

227 RJ, 2000-10

| Part No | Description | Remark | QTY KIT |
|--------------|----------------|---------|---------|
| 502 21 26-06 | DECAL | R | 1 |
| 502 21 26-07 | DECAL | RD | 1 |
| 502 21 26-08 | DECAL | L 225 | 1 |
| 502 21 26-09 | DECAL | LD | 1 |
| 502 21 26-10 | DECAL | RJ | 1 |
| 503 21 47-27 | SCREW IHSCFTO | | 1 |
| 503 90 60-01 | HEAT PROTECTOR | | 1 |
| 537 02 60-01 | CYLINDER COVER | R/RD | 1 |
| 537 02 60-02 | CYLINDER COVER | L/LD/RJ | 1 |
| 537 03 36-02 | LABEL | L 227 | 1 |
| 537 03 36-03 | LABEL | LD | 1 |
| 537 03 36-04 | LABEL | R | 1 |
| 537 03 36-05 | LABEL | RD | 1 |
| 537 03 36-06 | LABEL | RJ | 1 |
| 537 03 76-01 | ARM PROTECTION | RJ/L/LD | 1 |

D



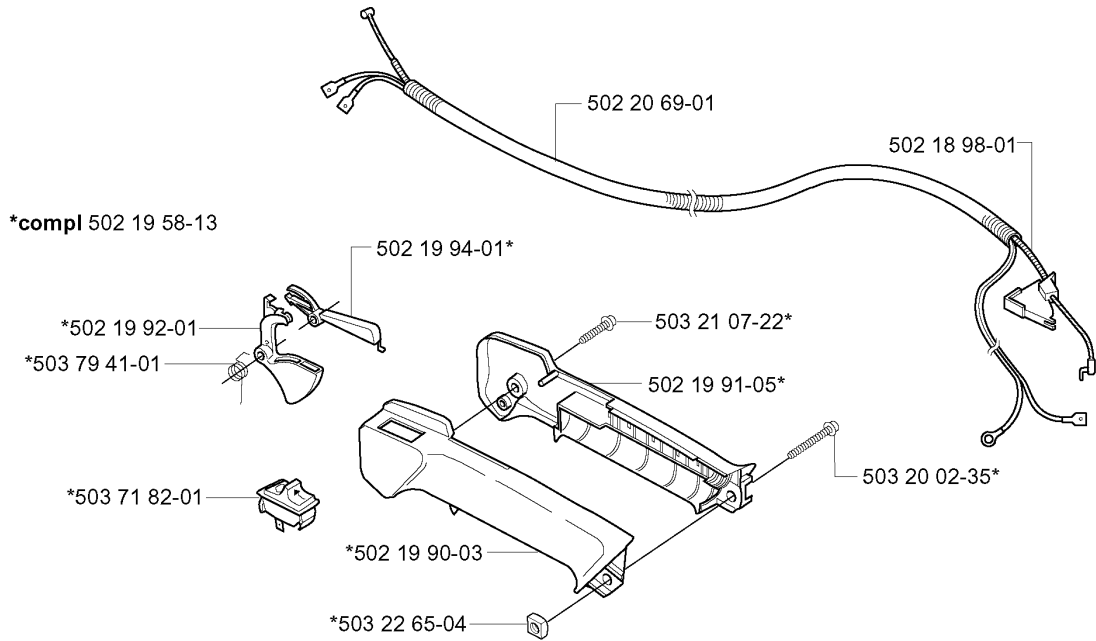
CYLINDER PISTON

227 RJ, 2000-10

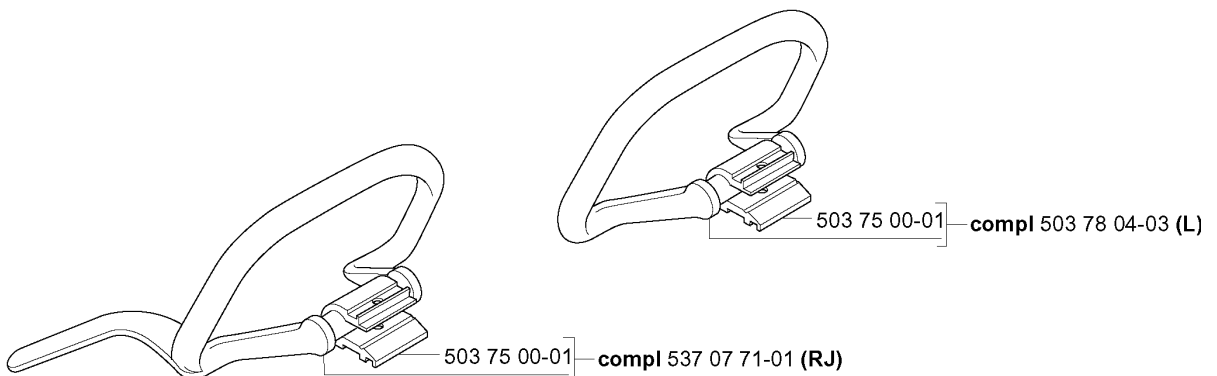
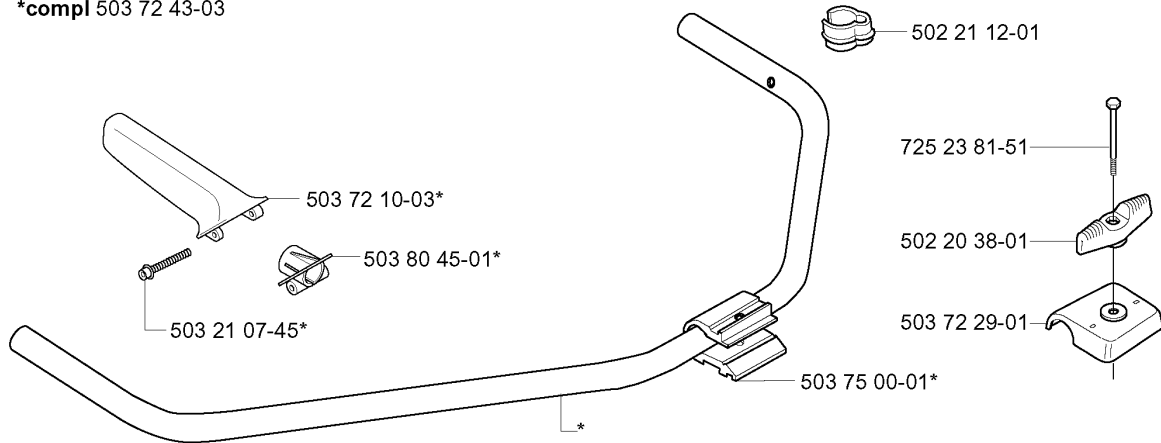
| Part No | Description | Remark | QTY KIT |
|--------------|-------------|------------------|---------|
| 503 23 51-08 | SPARK PLUG | CHAMPION RCJ 7 Y | 1 |
| 503 28 90-27 | PISTON RING | 227 | 2 |
| 503 28 90-30 | PISTON RING | | 1 |
| 503 28 99-30 | RING | 225 | 2 |
| 503 49 21-02 | GASKET | | 1 |
| 503 71 22-01 | BEARING | | 1 |
| 503 72 45-02 | PISTON | 225 DIA.34MM | 1 |
| 503 85 97-02 | PISTON ASSY | 225 | 1 |
| 537 00 75-02 | PISTON ASSY | 227 | 1 |
| 537 03 95-01 | PISTON | 227 DIA.35MM | 1 |
| 737 44 08-00 | CIRCLIP | | 1 |

B

*compl 502 19 58-03
 **compl 503 72 43-03



*compl 503 72 43-03

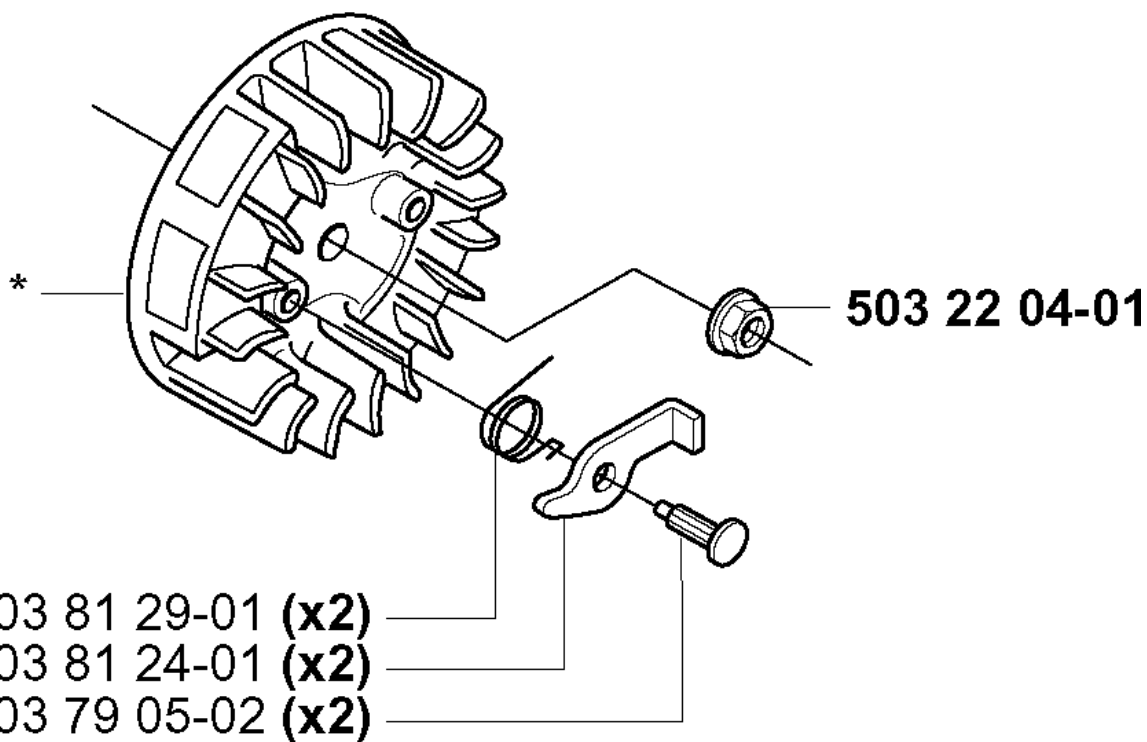
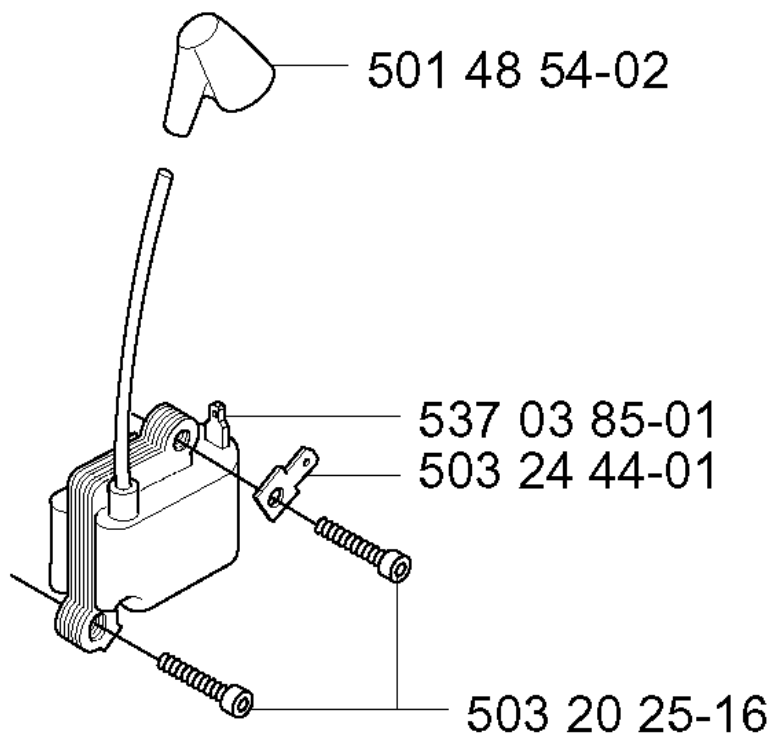


HANDLE & CONTROLS

227 RJ, 2000-10

| Part No | Description | Remark | QTY KIT |
|--------------|---------------------|--------|---------|
| 502 18 98-01 | THROTTLE WIRE | | 1 |
| 502 19 58-03 | HANDLE | | 1 |
| 502 19 58-13 | HANDLE | | 1 |
| 502 19 90-03 | HANDLE HALF LEFT | | 1 |
| 502 19 91-05 | HANDLE HALF RIGHT | | 1 |
| 502 19 92-01 | THROTTLE TRIGGER | | 1 |
| 502 19 94-01 | THROTTLE LOCKOUT | | 1 |
| 502 20 38-01 | KNOB | | 1 |
| 502 20 69-01 | WIRING | | 1 |
| 502 21 12-01 | STAPLE | | 1 |
| 503 20 02-35 | SCREW IHSCFM | | 1 |
| 503 21 07-22 | SCREW IHSCFT | | 1 |
| 503 21 07-45 | SCREW IHSCFT | | 1 |
| 503 22 65-04 | SQUARE NUT | | 1 |
| 503 71 82-01 | SWITCH | | 1 |
| 503 72 10-03 | HANDLE | | 1 |
| 503 72 29-01 | COVER HANDLE BAR | | 1 |
| 503 72 43-03 | HANDLEBAR PART ASSY | | 1 |
| 503 72 43-03 | HANDLEBAR PART ASSY | | 1 |
| 503 75 00-01 | HANDLEBAR BRACKET | | 1 |
| 503 75 00-01 | HANDLEBAR BRACKET | | 1 |
| 503 75 00-01 | HANDLEBAR BRACKET | | 1 |
| 503 78 04-03 | HANDLE LOOP | L | 1 |
| 503 79 41-01 | RECOIL SPRING | | 1 |
| 503 80 45-01 | BRACKET | | 1 |
| 537 07 71-01 | HANDLE | RJ | 1 |
| 725 23 81-51 | SCREW EHHM | | 1 |

L *compl 503 79 06-01

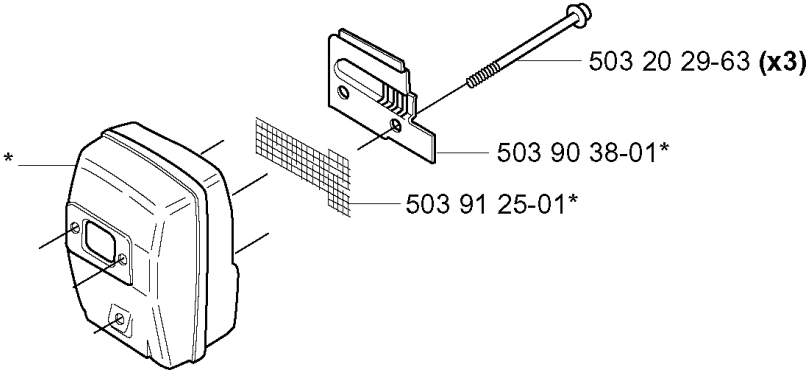


IGNITION SYSTEM

227 RJ, 2000-10

| Part No | Description | Remark | QTY KIT |
|--------------|-------------------|--------|---------|
| 501 48 54-02 | SPARK PLUG CAP | | 1 |
| 503 20 25-16 | SCREW IHSCM | | 1 |
| 503 22 04-01 | NUT | | 1 |
| 503 24 44-01 | FLAT PIN | | 1 |
| 503 79 05-02 | RIVET | | 2 |
| 503 79 06-01 | FLYWHEEL | | 1 |
| 503 81 24-01 | STARTER PAWL | | 2 |
| 503 81 29-01 | SPRING | | 2 |
| 537 03 85-01 | ELECTRONIC MODULE | | 1 |

J *compl 503 90 40-03



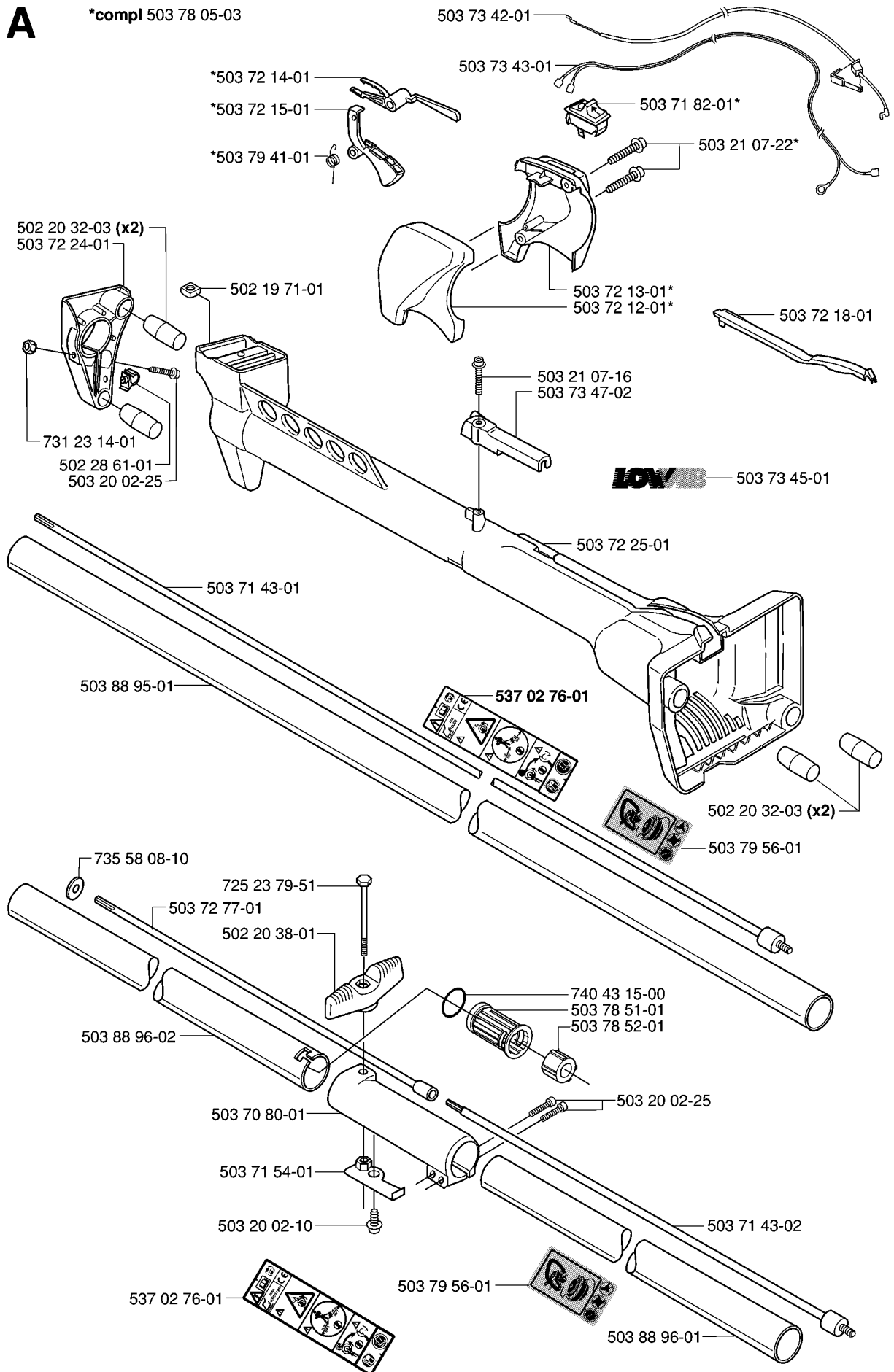
MUFFLER

227 RJ, 2000-10

| Part No | Description | Remark | QTY KIT |
|--------------|-----------------------|--------|---------|
| 503 20 29-63 | SCREW IHSCFM | | 3 |
| 503 90 38-01 | EXHAUST DUCT | | 1 |
| 503 90 40-03 | MUFFLER ASSY | | 1 |
| 503 91 25-01 | SPARK ARRESTOR SCREEN | | 1 |

A

*compl 503 78 05-03

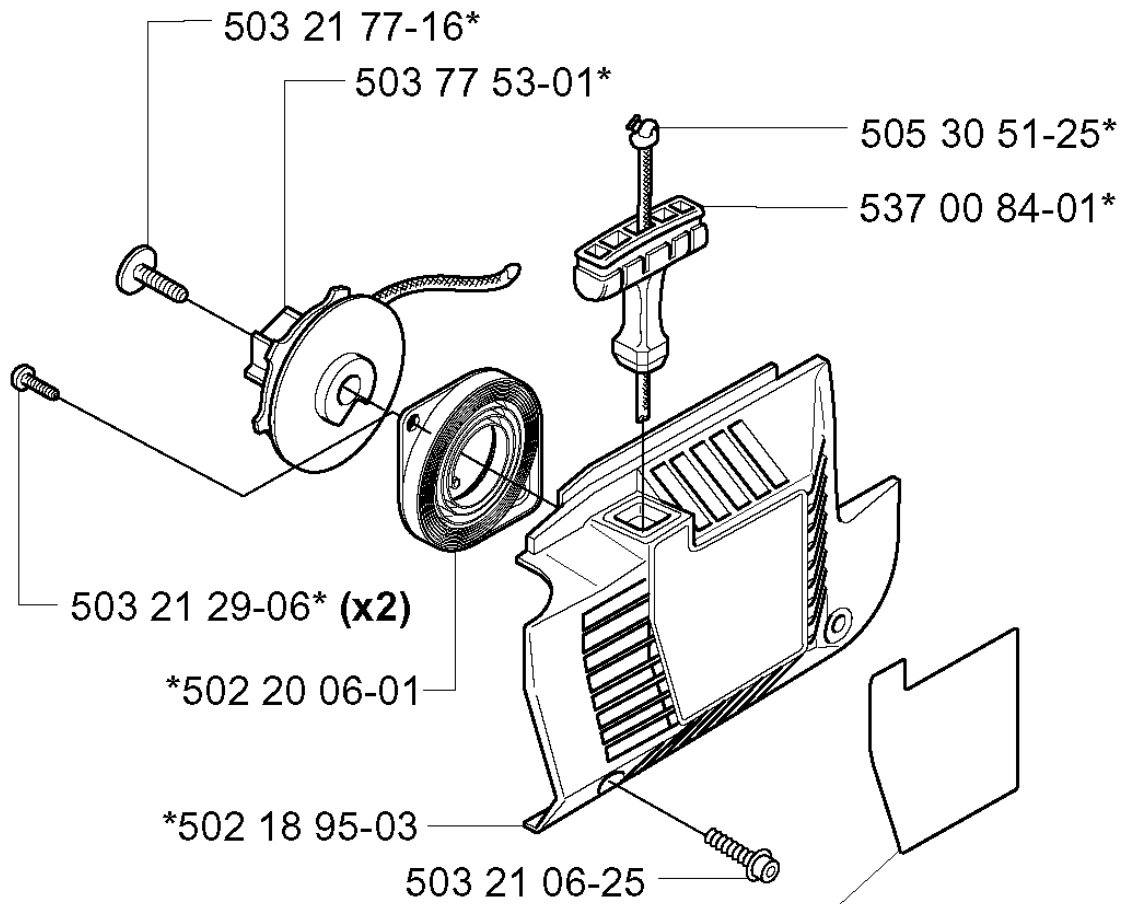


SHAFT & HANDLE

227 RJ, 2000-10

| Part No | Description | Remark | QTY KIT |
|--------------|-----------------------|--------|---------|
| 502 19 71-01 | SQUARE NUT | | 1 |
| 502 20 32-03 | ANTIVIBRATION ELEMENT | | 2 |
| 502 20 32-03 | ANTIVIBRATION ELEMENT | | 2 |
| 502 20 38-01 | KNOB | | 1 |
| 502 28 61-01 | CLIPS | | 1 |
| 503 20 02-10 | SCREW IHSCFM | | 1 |
| 503 20 02-25 | SCREW IHSCFM | | 1 |
| 503 20 02-25 | SCREW IHSCFM | | 1 |
| 503 21 07-16 | SCREW IHSCFT | | 1 |
| 503 21 07-22 | SCREW IHSCFT | | 1 |
| 503 70 80-01 | COMPRESSION SLEEVE | | 1 |
| 503 71 43-01 | DRIVE SHAFT ASSY | | 1 |
| 503 71 43-02 | DRIVE SHAFT ASSY | | 1 |
| 503 71 54-01 | LOCKING PLATE | | 1 |
| 503 71 82-01 | SWITCH | | 1 |
| 503 72 12-01 | HANDLE HALF LEFT | | 1 |
| 503 72 13-01 | HANDLE HALF RIGHT | | 1 |
| 503 72 14-01 | THROTTLE LOCKOUT | | 1 |
| 503 72 15-01 | THROTTLE TRIGGER | | 1 |
| 503 72 18-01 | COVER WIRING | | 1 |
| 503 72 24-01 | HOLDER ANTIVIBRATION | | 1 |
| 503 72 25-01 | SUSPENSION | | 1 |
| 503 72 77-01 | DRIVE SHAFT ASSY | | 1 |
| 503 73 42-01 | THROTTLE WIRE ASSY | | 1 |
| 503 73 43-01 | SHORT CIRCUIT CABLE | | 1 |
| 503 73 45-01 | LABEL | | 1 |
| 503 73 47-02 | LOCK KABLAGE STYRE | | 1 |
| 503 78 05-03 | HANDLE | | 1 |
| 503 78 51-01 | BEARING CAGE | | 1 |
| 503 78 52-01 | SUPPORTING BEARING | | 1 |
| 503 79 41-01 | RECOIL SPRING | | 1 |
| 503 79 56-01 | LABEL | | 1 |
| 503 79 56-01 | LABEL | | 1 |
| 503 88 95-01 | TUBE | | 1 |
| 503 88 96-01 | TUBE | | 1 |
| 503 88 96-02 | TUBE | | 1 |
| 537 02 76-01 | LABEL | | 1 |
| 537 02 76-01 | LABEL | | 1 |
| 725 23 79-51 | SCREW EHHM | | 1 |
| 731 23 14-01 | HEXAGON NUT | | 1 |
| 735 58 08-10 | LOCK WASHER | | 1 |
| 740 43 15-00 | O-RING | | 1 |

M *compl 502 18 95-02



225

- 502 21 25-19 (R)
- 502 21 25-20 (RD)
- 502 21 25-21 (L)
- 502 21 25-22 (LD)
- 502 21 25-23 (RJ)

227

- 502 21 25-37 (R)
- 502 21 25-38 (RD)
- 502 21 25-35 (L)
- 502 21 25-36 (LD)
- 502 21 25-39 (RJ)

STARTER

227 RJ, 2000-10

| Part No | Description | Remark | QTY KIT |
|--------------|----------------------|--------|---------|
| 502 18 95-02 | STARTER | | 1 |
| 502 18 95-03 | STARTER | | 1 |
| 502 20 06-01 | SPRING CASSETTE ASSY | | 1 |
| 502 21 25-19 | LABEL | R | 1 |
| 502 21 25-20 | LABEL | RD | 1 |
| 502 21 25-21 | LABEL | L 225 | 1 |
| 502 21 25-22 | LABEL | LD | 1 |
| 502 21 25-23 | LABEL | RJ | 1 |
| 502 21 25-35 | LABEL | L 227 | 1 |
| 502 21 25-36 | LABEL | LD | 1 |
| 502 21 25-37 | LABEL | R | 1 |
| 502 21 25-38 | LABEL | RD | 1 |
| 502 21 25-39 | LABEL | RJ | 1 |
| 503 21 06-25 | SCREW IHSCFT | | 1 |
| 503 21 29-06 | SCREW CCRPANT | | 2 |
| 503 21 77-16 | SCREW IHSCFT | | 1 |
| 503 77 53-01 | STARTER PULLEY | | 1 |
| 505 30 51-25 | STARTER CORD | | 1 |
| 537 00 84-01 | STARTER HANDLE | | 1 |