

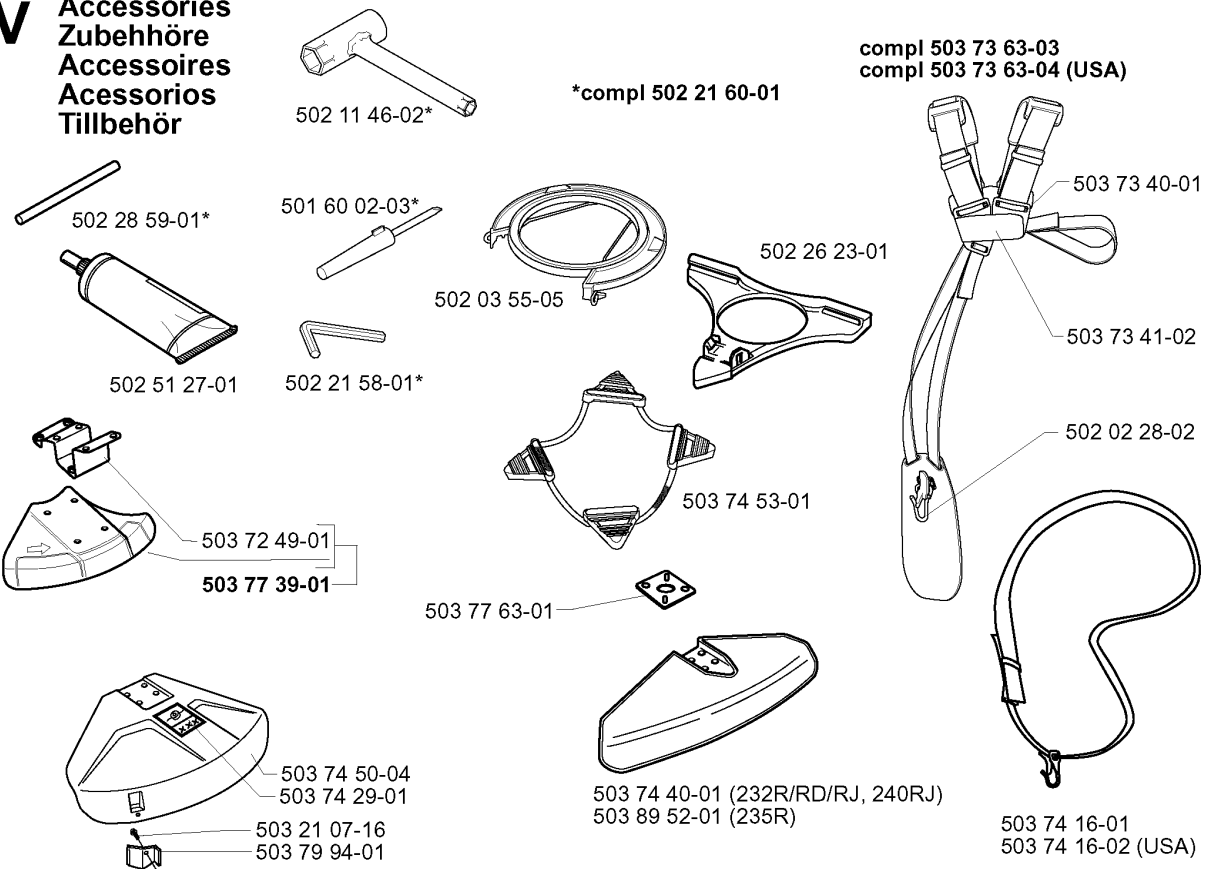


# SPARE PARTS LIST

TRIMMERS/EDGERS

232 L, 2000-04

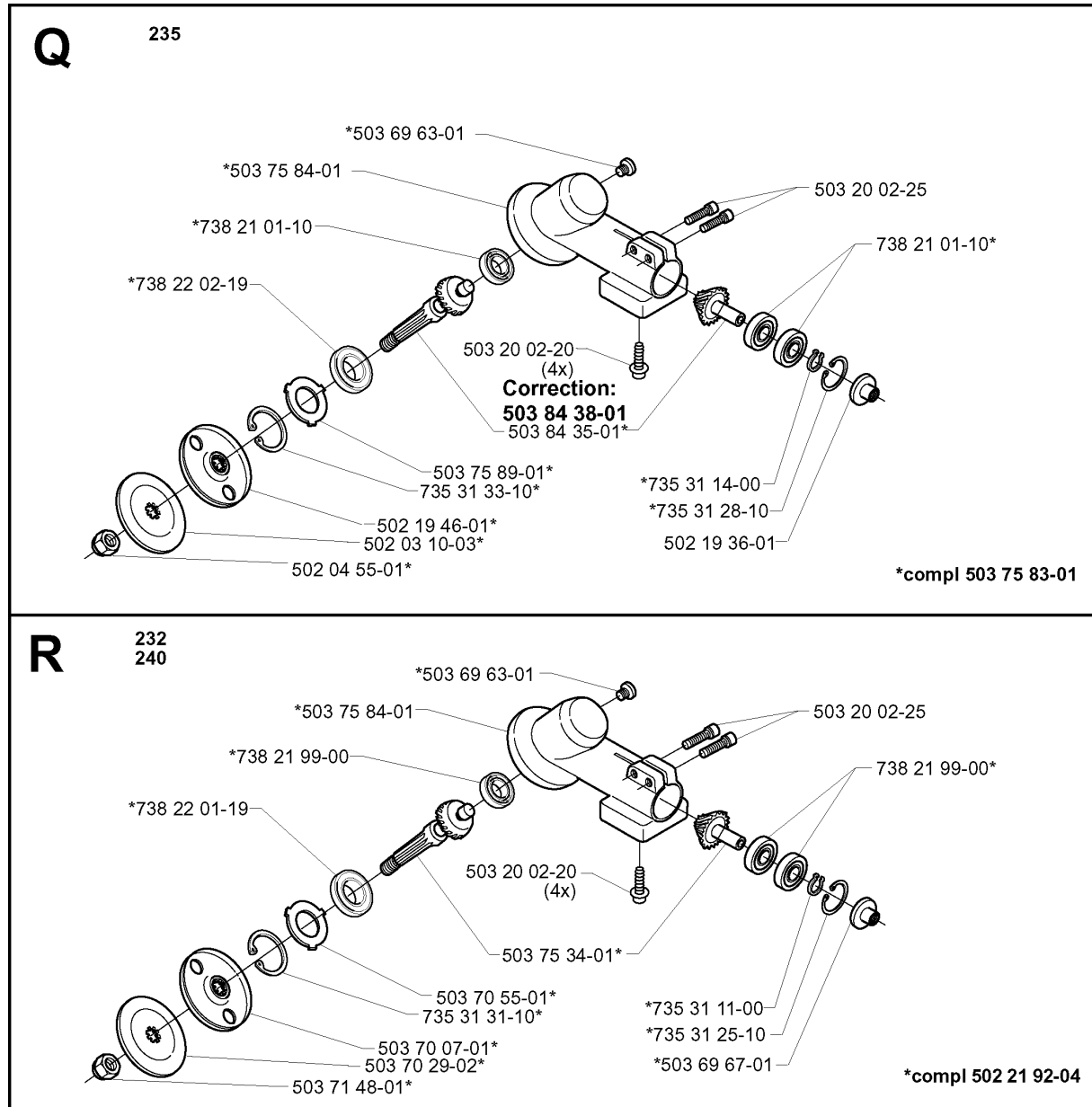
**V** Accessories  
Zubehöre  
Accessoires  
Accesorios  
Tillbehör



## ACCESSORIES

232 L, 2000-04

Part No	Description	Remark	QTY KIT
501 60 02-03	SCREWDRIVER		1
502 02 28-02	WELT HOOK		1
502 03 55-05	TRANSPORT GUARD		1
502 11 46-02	SOCKET WRENCH		1
502 21 58-01	L-NYCKEL		1
502 21 60-01	ACCESSORY BAG		1
502 26 23-01	TRANSPORT GUARD		1
502 28 59-01	STOP		1
502 51 27-01	GREASE		1
503 21 07-16	SCREW IHSCFT		1
503 72 49-01	ADAPTER		1
503 73 40-01	FRONT PIECE		1
503 73 41-02	FRONT PIECE		1
503 73 63-03	HARNESS		1
503 73 63-04	HARNESS ASSY	USA	1
503 74 16-01	HARNESS ASSY		1
503 74 16-02	HARNESS ASSY	USA	1
503 74 29-01	DECAL		1
503 74 40-01	BLADE GUARD	232R/RD/RJ, 240RJ	1
503 74 50-04	TRIMMER GUARD		1
503 74 53-01	TRANSPORT GUARD		1
503 77 39-01	SAW BLADE GUARD		1
503 77 63-01	BASE PLATE		1
503 79 94-01	BLADE		1
503 89 52-01	SAW BLADE GUARD	235R	1

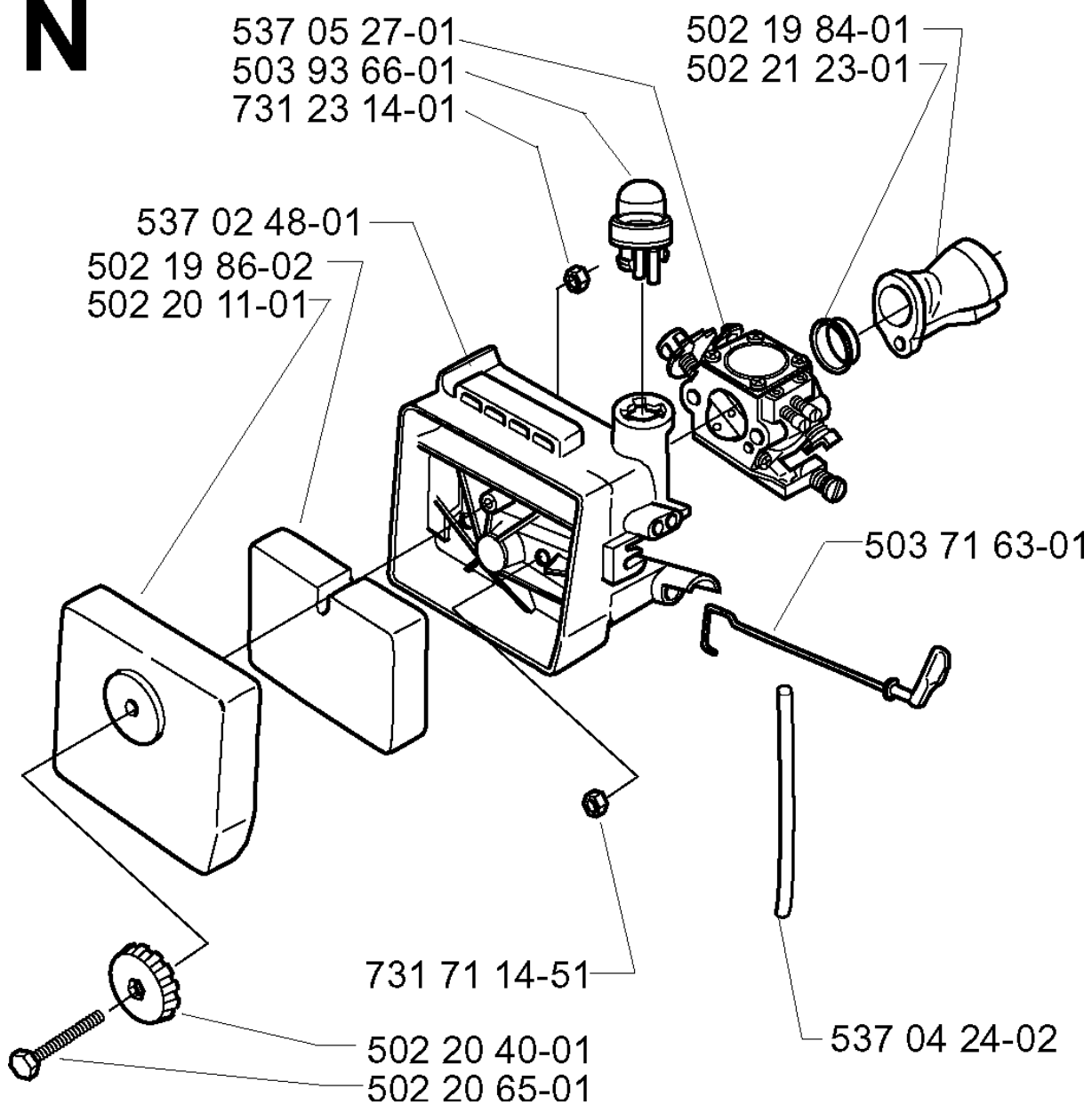


## BEVEL GEAR

232 L, 2000-04

Part No	Description	Remark	QTY KIT
502 03 10-03	SUPPORT FLANGE ASSY		1
502 04 55-01	LOCKING NUT		1
502 19 36-01	GASKET RING UPPER		1
502 19 46-01	DRIVER		1
502 21 92-04	GEAR		1
503 20 02-20	SCREW IHSCFM	4X	1
503 20 02-20	SCREW IHSCFM	4X	1
503 20 02-25	SCREW IHSCFM		1
503 20 02-25	SCREW IHSCFM		1
503 69 63-01	PLUG		1
503 69 63-01	PLUG		1
503 69 67-01	GASKET RING UPPER		1
503 70 07-01	DRIVER		1
503 70 29-02	SUPPORT FLANGE		1
503 70 55-01	COVER WASHER		1
503 71 48-01	NUT BLADE		1
503 75 34-01	GEAR WHEEL		1
503 75 83-01	GEAR		1
503 75 84-01	GEAR HOUSING		1
503 75 84-01	GEAR HOUSING		1
503 75 89-01	COVER WASHER		1
503 84 38-01	GEAR WHEEL		1
735 31 11-00	CIRCLIP		1
735 31 14-00	CIRCLIP		1
735 31 25-10	CIRCLIP		1
735 31 28-10	CIRCLIP		1
735 31 31-10	CIRCLIP		1
735 31 33-10	CIRCLIP		1
738 21 01-10	BALL BEARING		1
738 21 01-10	BALL BEARING		1
738 21 99-00	BALL BEARING		1
738 21 99-00	BALL BEARING		1
738 22 01-19	BALL BEARING		1
738 22 02-19	BALL BEARING		1

**N**

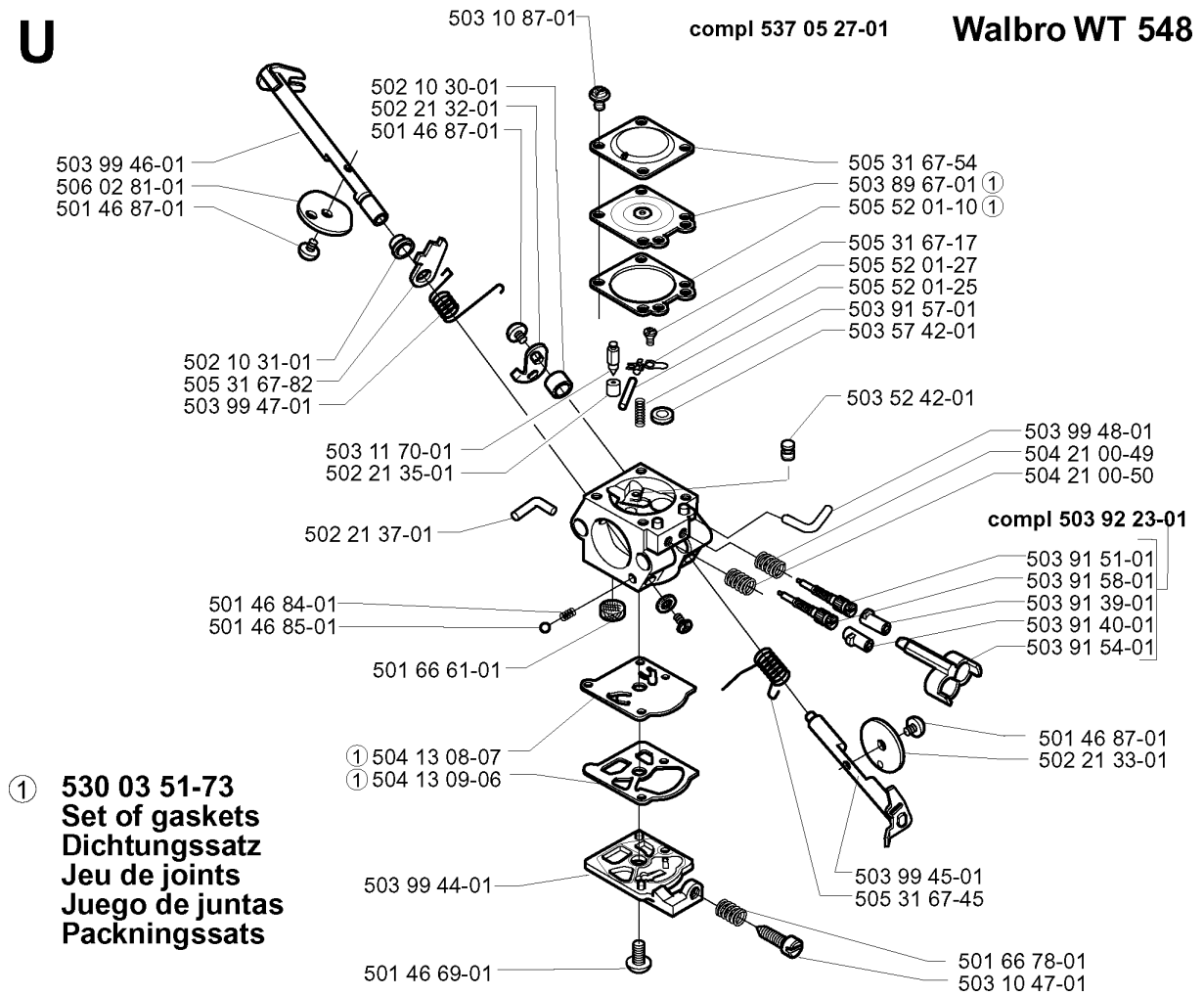


## CARBURETOR &amp; AIR FILTER

232 L, 2000-04

Part No	Description	Remark	QTY KIT
502 19 84-01	INLET PIPE		1
502 19 86-02	AIR FILTER		1
502 20 11-01	FILTER COVER		1
502 20 40-01	KNOB		1
502 20 65-01	SCREW EHHM		1
502 21 23-01	SUPPORT RING		1
503 71 63-01	CHOKE CONTROL		1
503 93 66-01	PRIMER HOUSING		1
537 02 48-01	FILTER HOLDER		1
537 04 24-02	FUEL HOSE		1
537 05 27-01	CARBURETTOR		1
731 23 14-01	HEXAGON NUT		1
731 71 14-51	HEXAGON NUT FLANGED		1

**U**

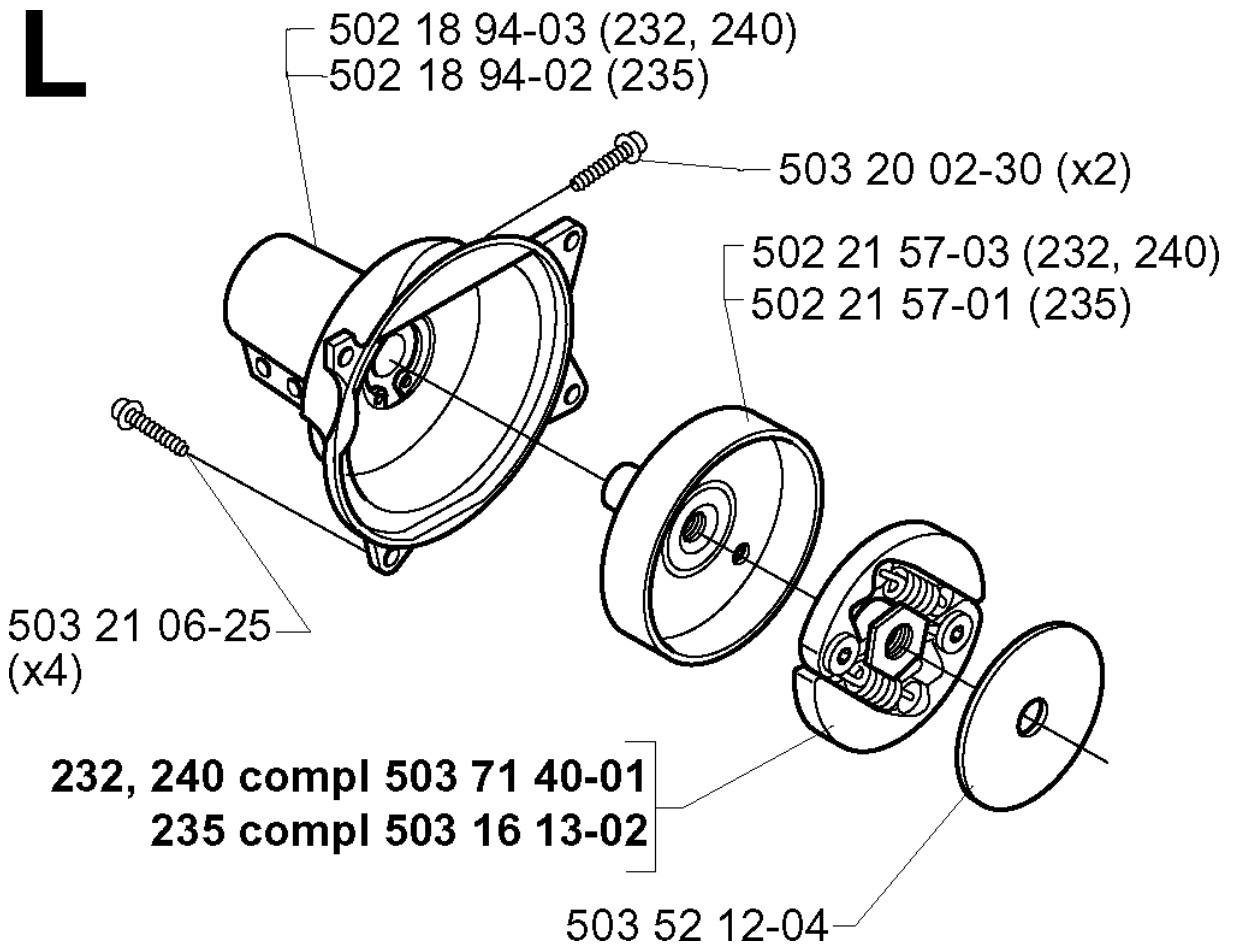




## CARBURETOR DETAILS

232 L, 2000-04

Part No	Description	Remark	QTY KIT
501 46 69-01	SCREW		1
501 46 84-01	SPRING		1
501 46 85-01	BALL-CHOKE FRICTION		1
501 46 87-01	SCREW		1
501 46 87-01	SCREW		1
501 46 87-01	SCREW		1
501 66 61-01	SCREEN-INLET		1
501 66 78-01	SPRING		1
502 10 30-01	DISTANCE		1
502 10 31-01	BUSHING		1
502 21 32-01	LEVER THROTTLE		1
502 21 33-01	VALVE THROTTLE		1
502 21 35-01	SEAT INLET VALVE		1
502 21 37-01	FITTING FUEL INLET		1
503 10 47-01	SCREW		1
503 10 87-01	SCREW		1
503 11 70-01	VALVE-INLET NEEDLE		1
503 31 67-45			1
503 52 42-01	NOZZLE ASSY		1
503 57 42-01	PLUG-WELCH		1
503 89 67-01	DIAPHRAGM	530 03 51-73 SET OF GASKETS	1
503 91 39-01	LIMITER CAP		1
503 91 40-01	LIMITER CAP		1
503 91 51-01	NEEDLE		1
503 91 54-01	RETAINER		1
503 91 57-01	SPRING		1
503 91 58-01	NEEDLE		1
503 92 23-01	LIMITER CAP		1
503 99 44-01	COVER		1
503 99 45-01	SHAFT ASSY		1
503 99 46-01	SHAFT ASSY		1
503 99 47-01	SPRING		1
503 99 48-01	FITTING		1
504 13 08-07	DIAPHRAGM PUMP	530 03 51-73 SET OF GASKETS	1
504 13 09-06	GASKET	530 03 51-73 SET OF GASKETS	1
504 21 00-49	SPRING		1
504 21 00-50	SPRING		1
505 31 67-17	SCREW		1
505 31 67-54	LOCK STYRMEMBRAN		1
505 31 67-82	LEVER		1
505 52 01-10	GASKET	530 03 51-73 SET OF GASKETS	1
505 52 01-25	PIN-METERING LEVER		1
505 52 01-27	LEVER		1
506 02 81-01	VALVE		1
537 05 27-01	CARBURETTOR		1



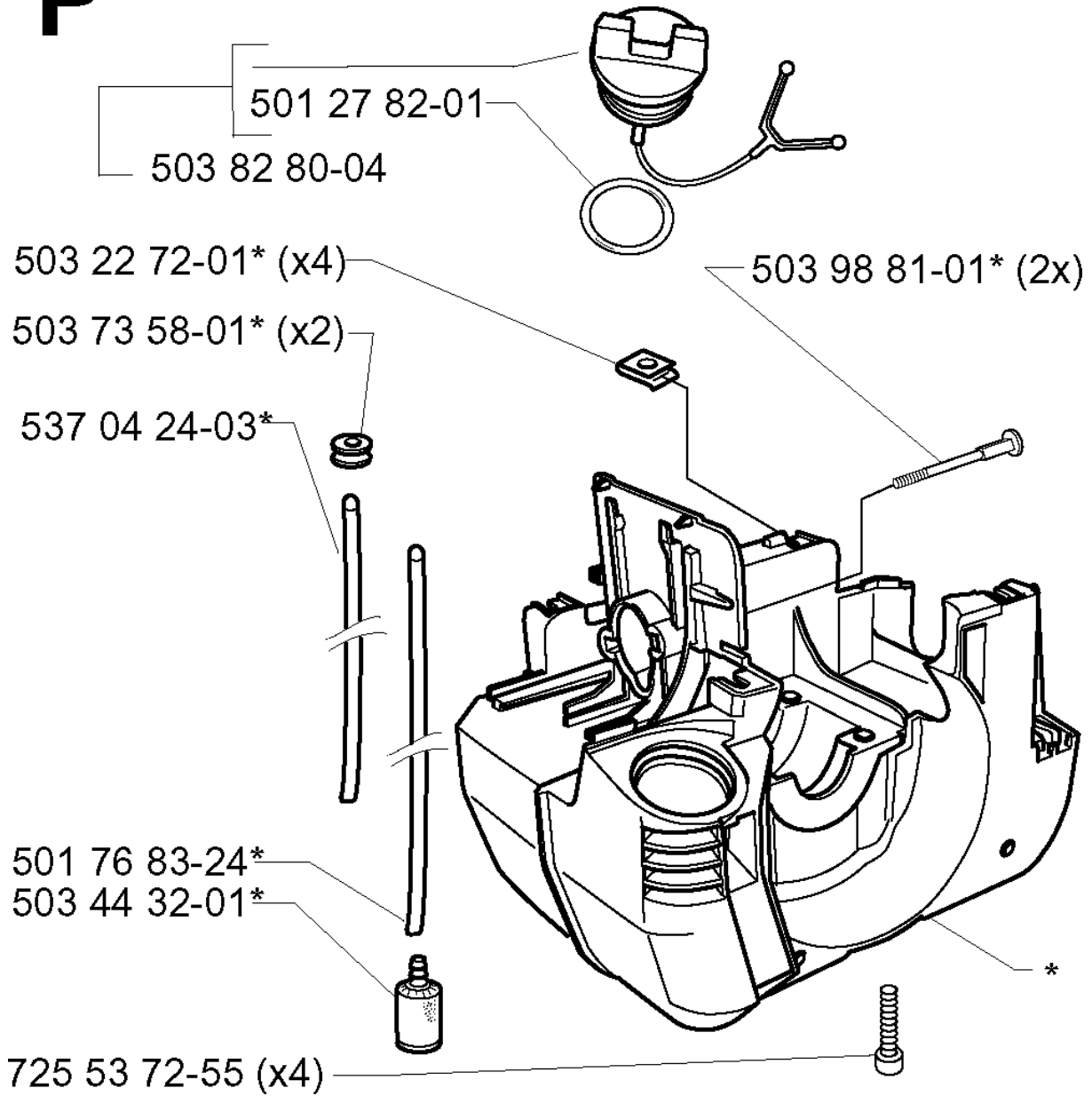
## CLUTCH

232 L, 2000-04

Part No	Description	Remark	QTY KIT
502 18 94-02	CLUTCH COVER ASSY	235	1
502 18 94-03	CLUTCH COVER ASSY	232, 240	1
502 21 57-01	CLUTCH DRUM ASSY	235	1
502 21 57-03	CLUTCH DRUM ASSY	232, 240	1
503 16 13-02	CLUTCH ASSY	235	1
503 20 02-30	SCREW IHSCFM		2
503 21 06-25	SCREW IHSCFT		4
503 52 12-04	WASHER		1
503 71 40-01	CLUTCH ASSY	232, 240	1

**P**

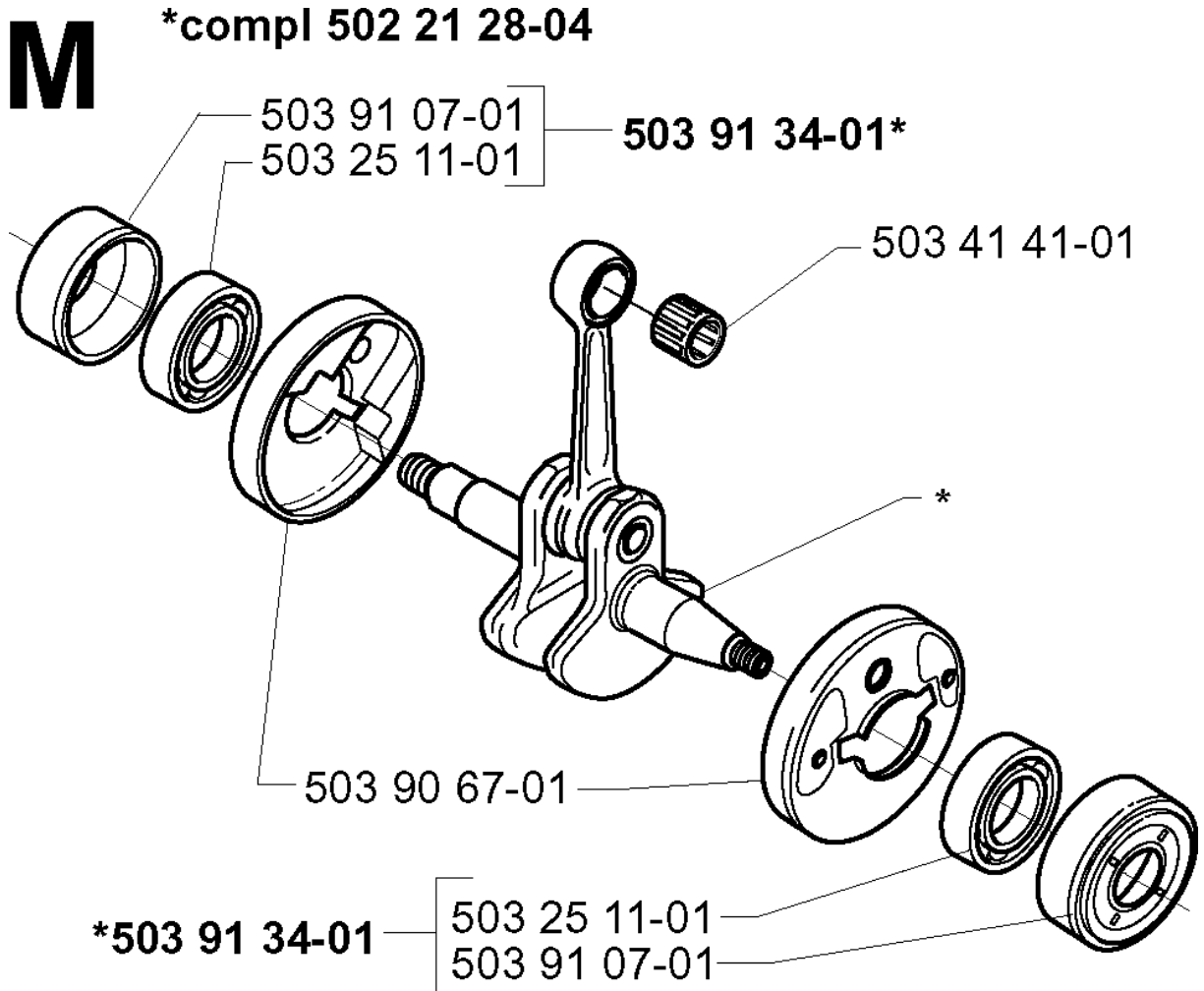
**\*compl 503 84 00-02**



## CRANKCASE

232 L, 2000-04

Part No	Description	Remark	QTY KIT
501 27 82-01	GASKET		1
501 76 83-24	FUEL HOSE		1
503 22 72-01	SPEED NUT		4
503 44 32-01	FILTER		1
503 73 58-01	BUSHING		2
503 82 80-04	TANK CAP ASSY		1
503 84 00-02	CRANKCASE		1
503 98 81-01	SCREW	2X	1
537 04 24-03	FUEL HOSE		1
725 53 72-55	SCREW IHSCM		4

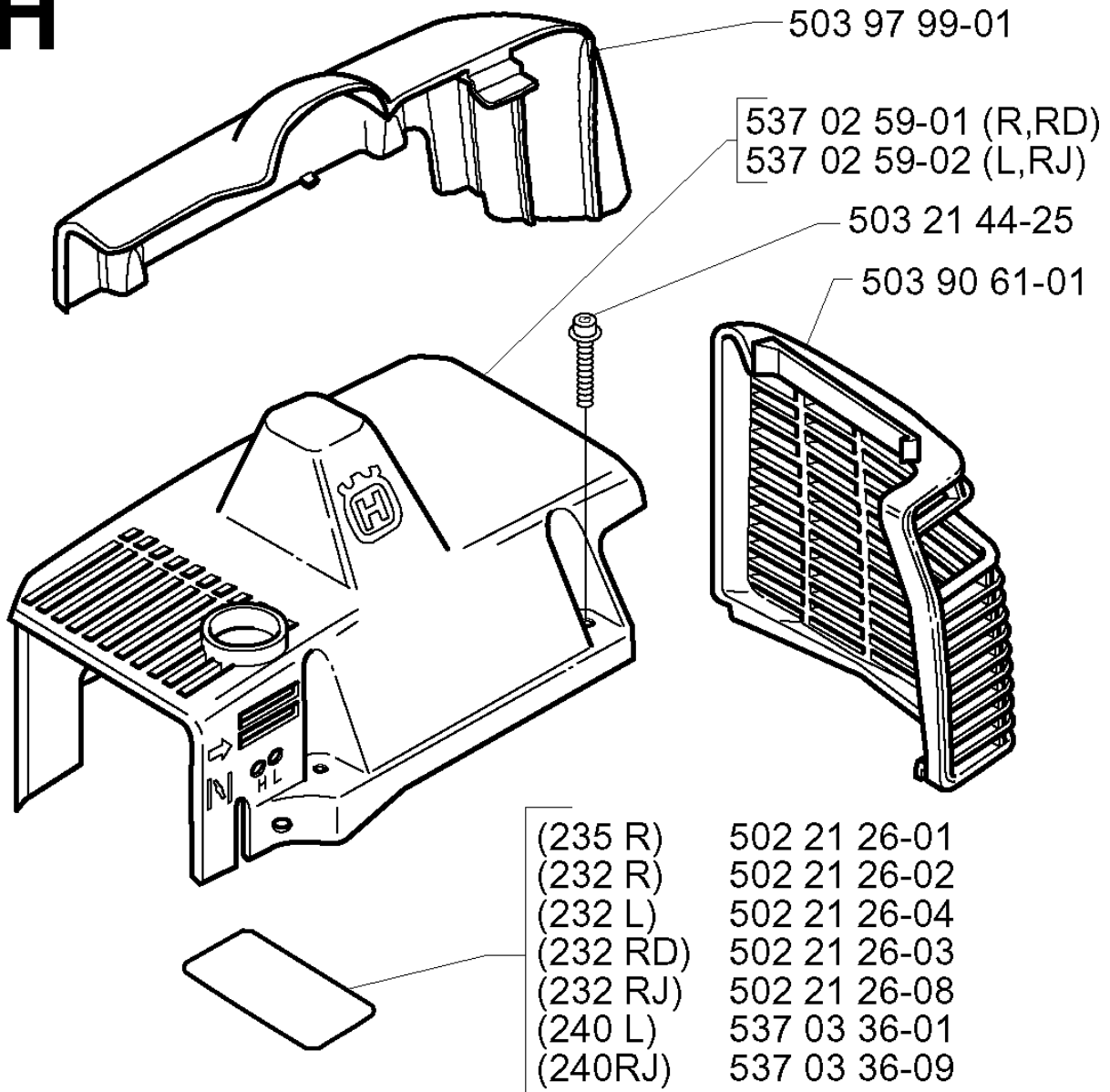


## CRANKSHAFT

232 L, 2000-04

Part No	Description	Remark	QTY KIT
502 21 28-04	CRANKSHAFT ASSY		1
503 25 11-01	BALL BEARING		1
503 25 11-01	BALL BEARING		1
503 41 41-01	NEEDLE BEARING		1
503 90 67-01	CUP		1
503 91 07-01	BEARING CAGE		1
503 91 07-01	BEARING CAGE		1
503 91 34-01	BEARING CAGE		1
503 91 34-01	BEARING CAGE		1

**H**





## CYLINDER COVER

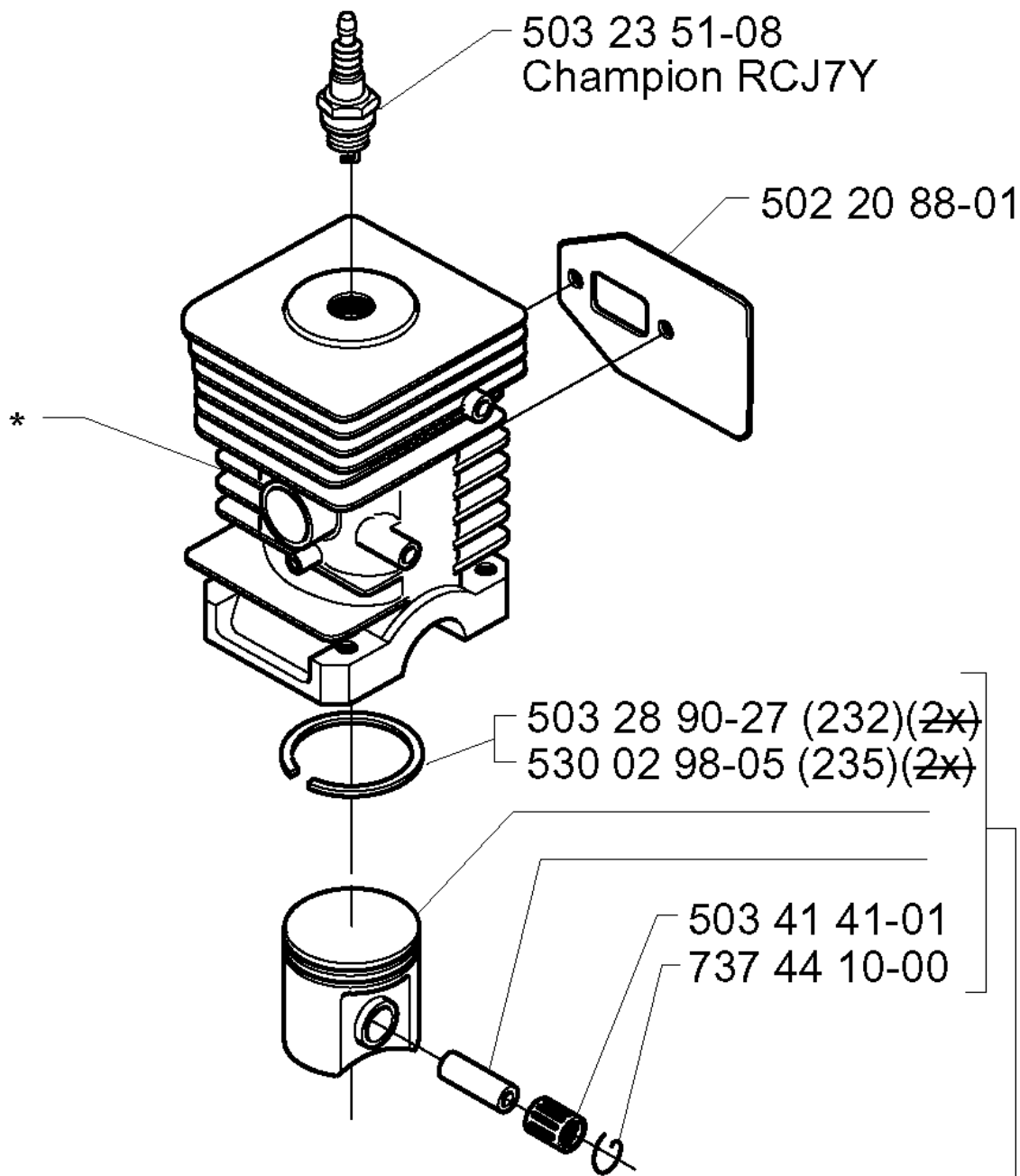
232 L, 2000-04

Part No	Description	Remark	QTY KIT
502 21 26-01	DECAL	235 R	1
502 21 26-02	DECAL	232 R	1
502 21 26-03	DECAL	232 RD	1
502 21 26-04	DECAL	232 L	1
502 21 26-08	DECAL	232 RJ	1
503 21 44-25	SCREW IHSCFTO		1
503 90 61-01	HEAT PROTECTOR		1
503 97 99-01	ARM PROTECTION		1
537 02 59-01	CYLINDER COVER	R,RD	1
537 02 59-02	CYLINDER COVER	L,RJ	1
537 03 36-01	LABEL	240 L	1
537 03 36-09	LABEL	240RJ	1

**J**

**\*compl 503 72 80-01 (232)**

**\*compl 503 69 46-01 (235, 240))**



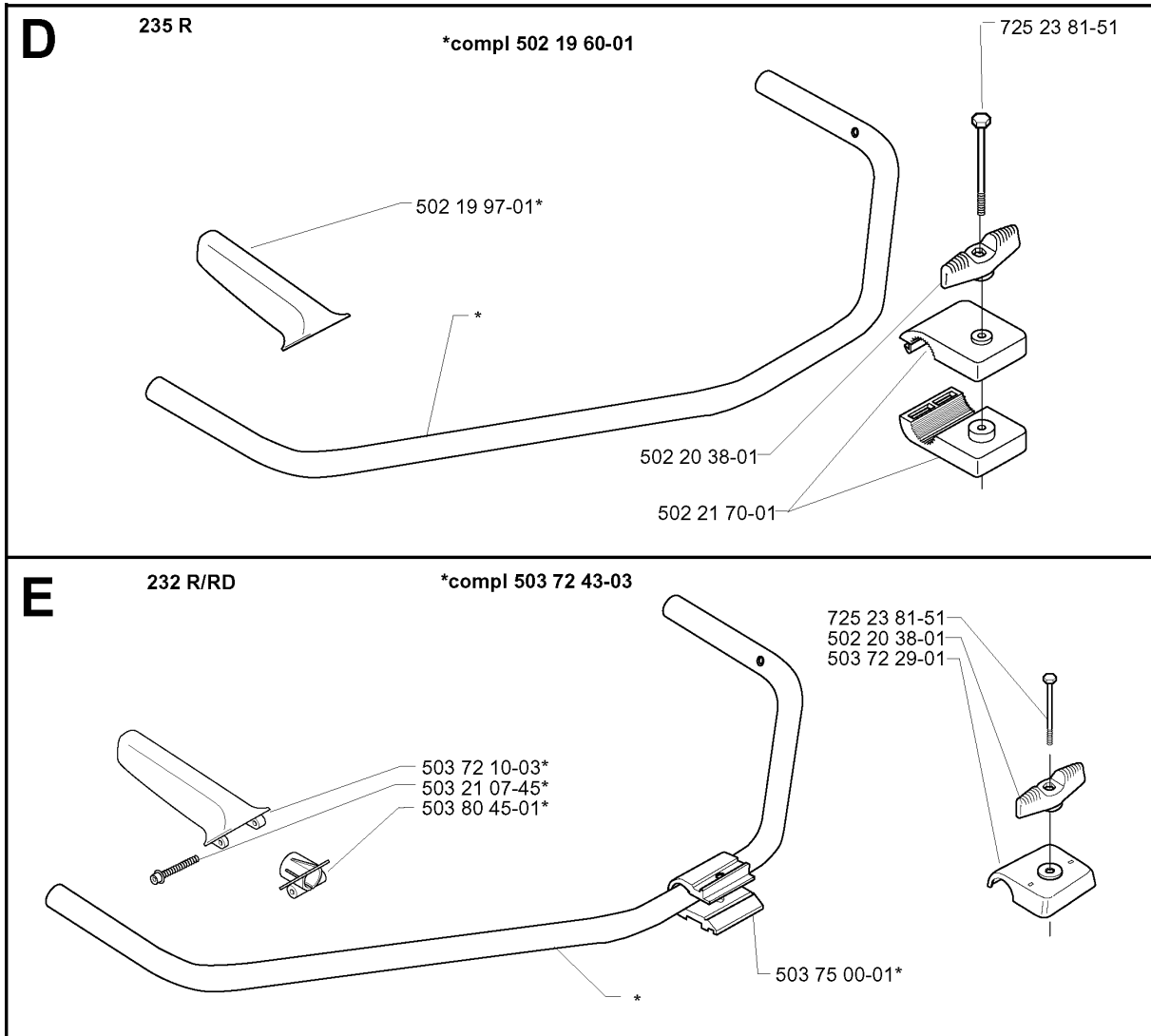
**\*compl 502 21 43-02 (232)**

**\*compl 503 68 64-02 (235, 240)**

## CYLINDER PISTON

232 L, 2000-04

Part No	Description	Remark	QTY KIT
502 20 88-01	GASKET MUFFLER		1
502 21 43-02	PISTON ASSY	232	1
503 23 51-08	SPARK PLUG	CHAMPION RCJ7Y	1
503 28 90-27	PISTON RING	232	1
503 41 41-01	NEEDLE BEARING		1
503 68 64-02	PISTON ASSY	235, 240	1
503 69 46-01	PISTON	235, 240	1
503 72 80-01	KOLV + CYL R-DEL	232	1
530 02 98-05	PISTON RING	235	1
737 44 10-00	SNAP RING		1



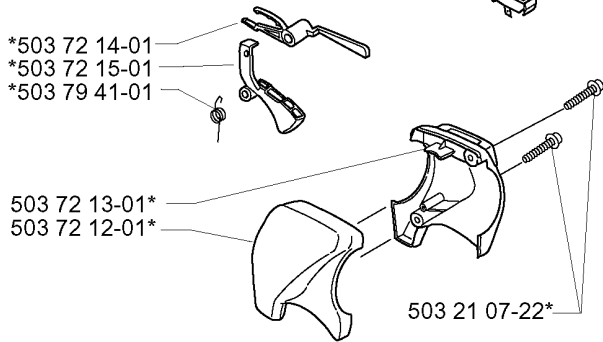
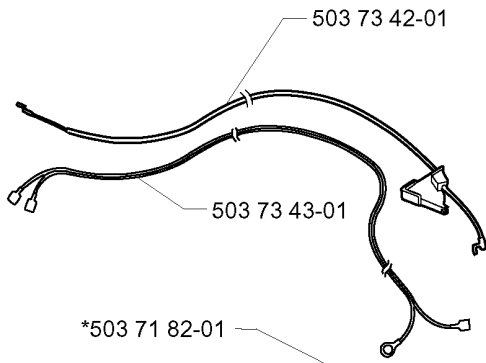
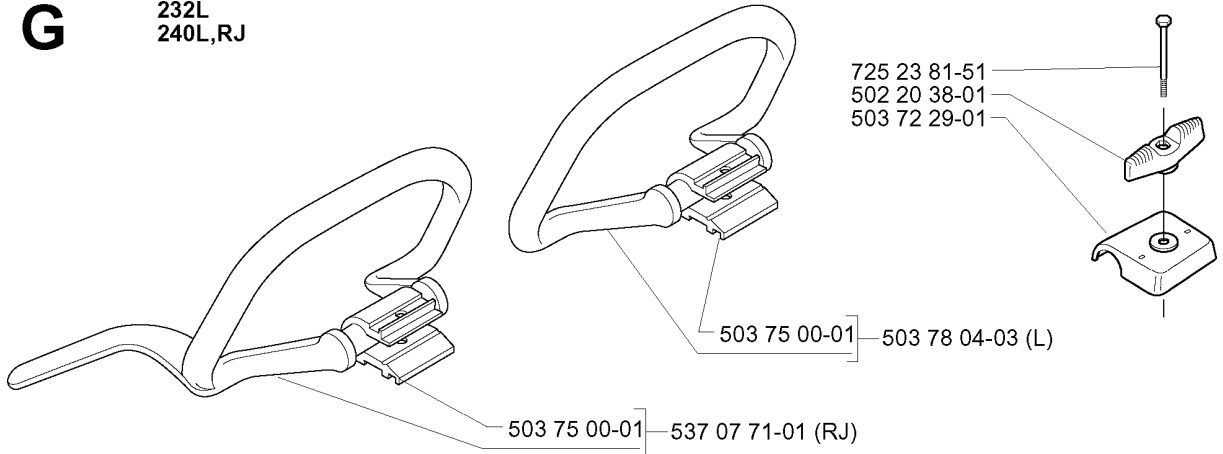
## HANDLE

232 L, 2000-04

Part No	Description	Remark	QTY KIT
502 19 60-01	HANDLEBAR		1
502 19 97-01	HANDLE		1
502 20 38-01	KNOB		1
502 20 38-01	KNOB		1
502 21 70-01	HANDLEBAR BRACKET		1
503 21 07-45	SCREW IHSCFT		1
503 72 10-03	HANDLE		1
503 72 29-01	COVER HANDLE BAR		1
503 72 43-03	HANDLEBAR PART ASSY		1
503 75 00-01	HANDLEBAR BRACKET		1
503 80 45-01	BRACKET		1
725 23 81-51	SCREW EHHM		1
725 23 81-51	SCREW EHHM		1

**G**

232L  
240L,RJ



\*compl 503 78 05-03

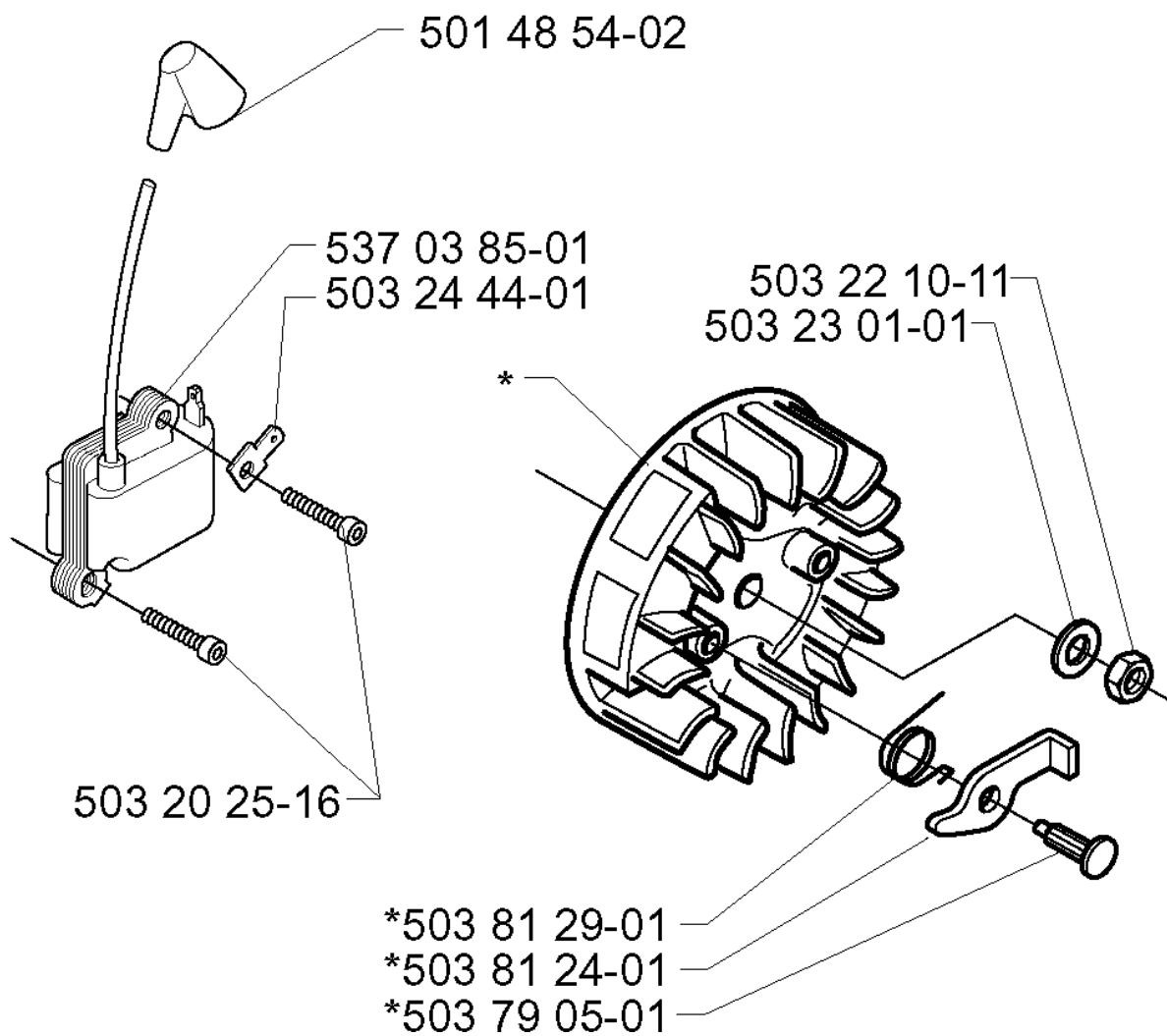
## HANDLE &amp; CONTROLS

232 L, 2000-04

Part No	Description	Remark	QTY KIT
502 20 38-01	KNOB		1
503 07 71-01	SPRING	RJ	1
503 21 07-22	SCREW IHSCFT		1
503 71 82-01	SWITCH		1
503 72 12-01	HANDLE HALF LEFT		1
503 72 13-01	HANDLE HALF RIGHT		1
503 72 14-01	THROTTLE LOCKOUT		1
503 72 15-01	THROTTLE TRIGGER		1
503 72 29-01	COVER HANDLE BAR		1
503 73 42-01	THROTTLE WIRE ASSY		1
503 73 43-01	SHORT CIRCUIT CABLE		1
503 75 00-01	HANDLEBAR BRACKET		1
503 75 00-01	HANDLEBAR BRACKET		1
503 78 04-03	HANDLE LOOP	L	1
503 78 05-03	HANDLE		1
503 79 41-01	RECOIL SPRING		1
725 23 81-51	SCREW EHHM		1

**S**

**\*compl 503 79 06-01**



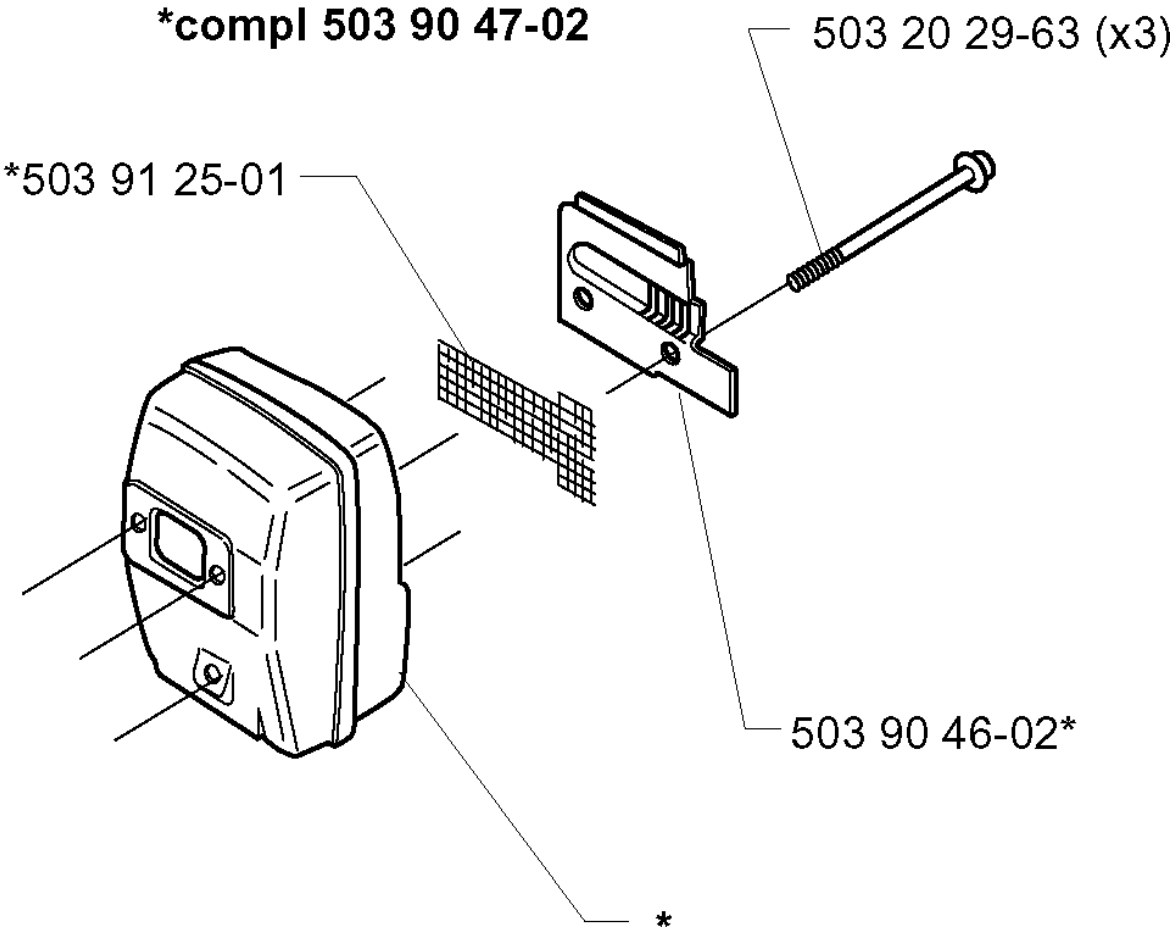


## IGNITION SYSTEM

232 L, 2000-04

Part No	Description	Remark	QTY KIT
501 48 54-02	SPARK PLUG CAP		1
503 20 25-16	SCREW IHSCM		1
503 22 10-11	HEXAGON NUT		1
503 23 01-01	WASHER		1
503 24 44-01	FLAT PIN		1
503 79 05-01	RIVET		1
503 79 06-01	FLYWHEEL		1
503 81 24-01	STARTER PAWL		1
503 81 29-01	SPRING		1
537 03 85-01	ELECTRONIC MODULE		1

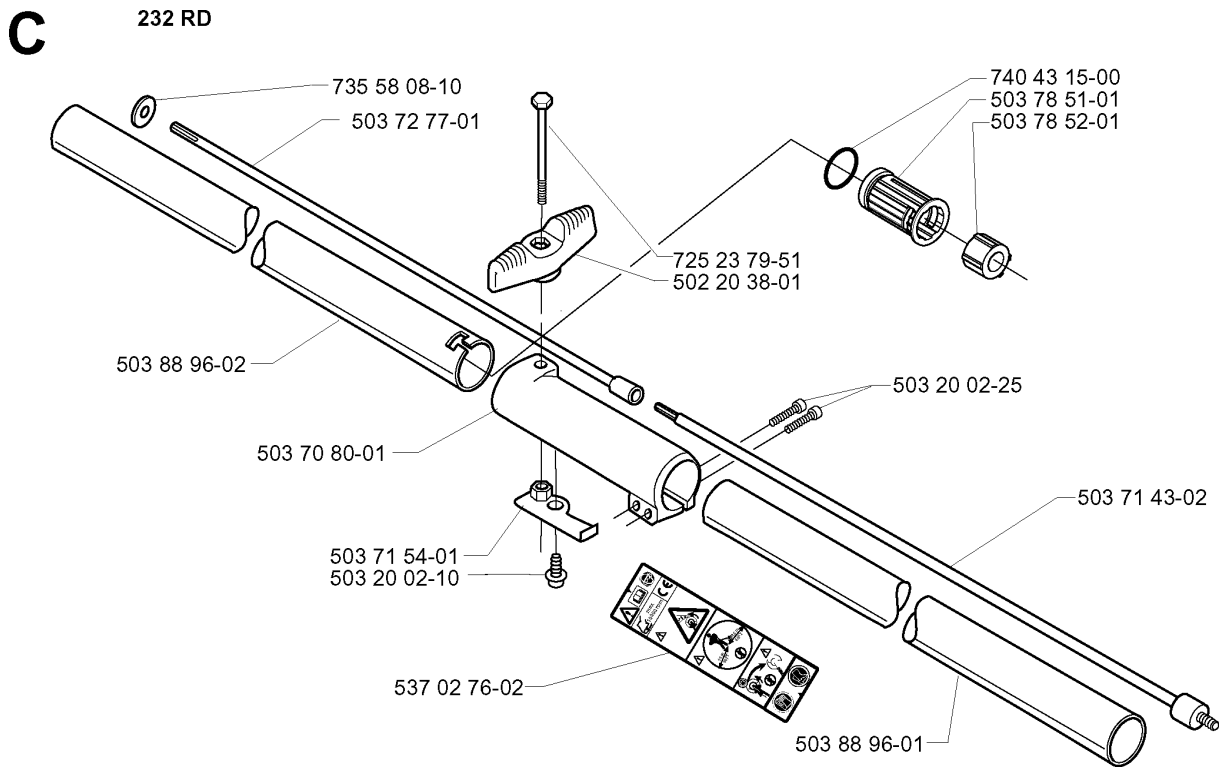
# K



MUFFLER

232 L, 2000-04

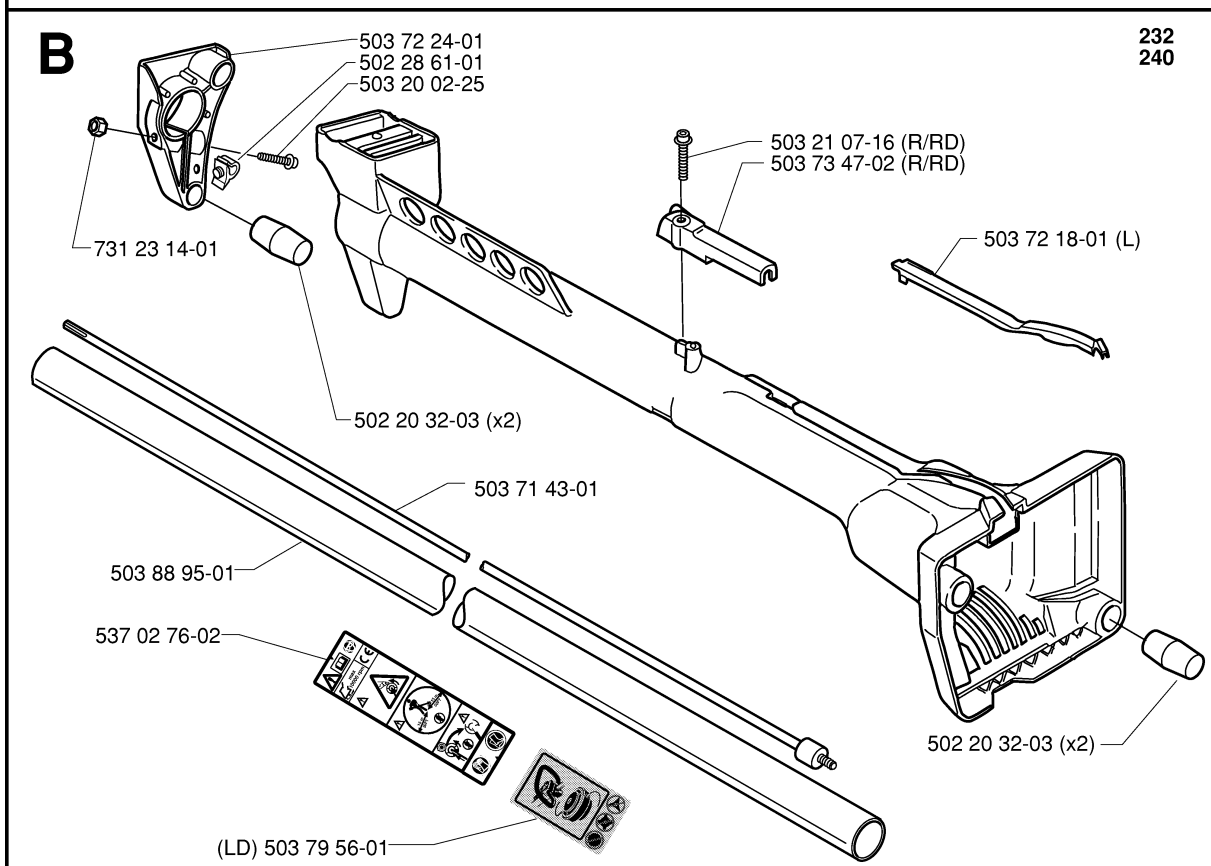
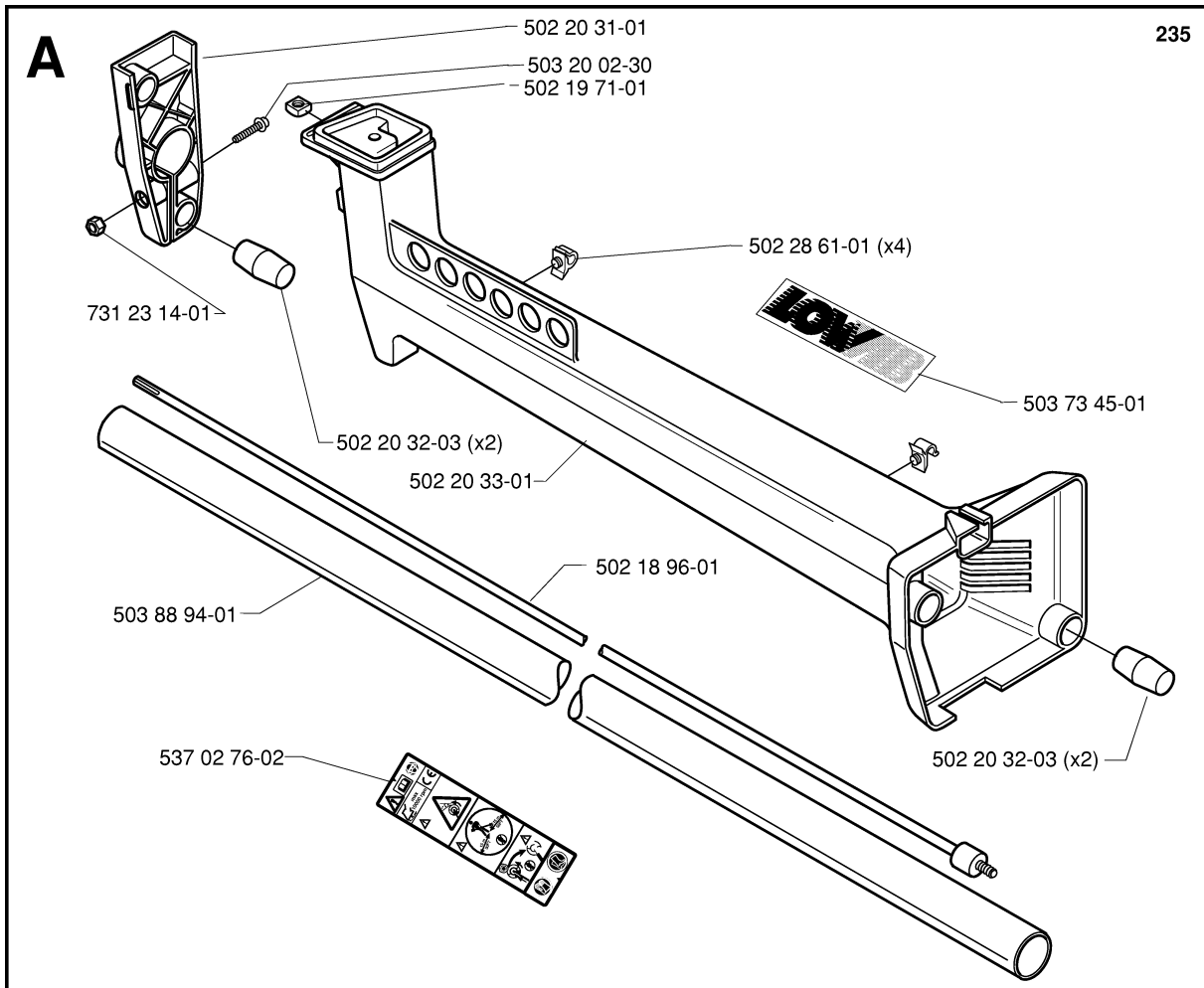
Part No	Description	Remark	QTY KIT
503 20 29-63	SCREW IHSCFM		3
503 90 46-02	EXHAUST DUCT		1
503 90 47-02	MUFFLER ASSY		1
503 91 25-01	SPARK ARRESTOR SCREEN		1



## SHAFT

232 L, 2000-04

Part No	Description	Remark	QTY KIT
502 20 38-01	KNOB		1
503 20 02-10	SCREW IHSCFM		1
503 20 02-25	SCREW IHSCFM		1
503 70 80-01	COMPRESSION SLEEVE		1
503 71 43-02	DRIVE SHAFT ASSY		1
503 71 54-01	LOCKING PLATE		1
503 72 77-01	DRIVE SHAFT ASSY		1
503 78 51-01	BEARING CAGE		1
503 78 52-01	SUPPORTING BEARING		1
503 88 96-01	TUBE		1
503 88 96-02	TUBE		1
537 02 76-02	LABEL		1
725 23 79-51	SCREW EHHM		1
735 58 08-10	LOCK WASHER		1
740 43 15-00	O-RING		1

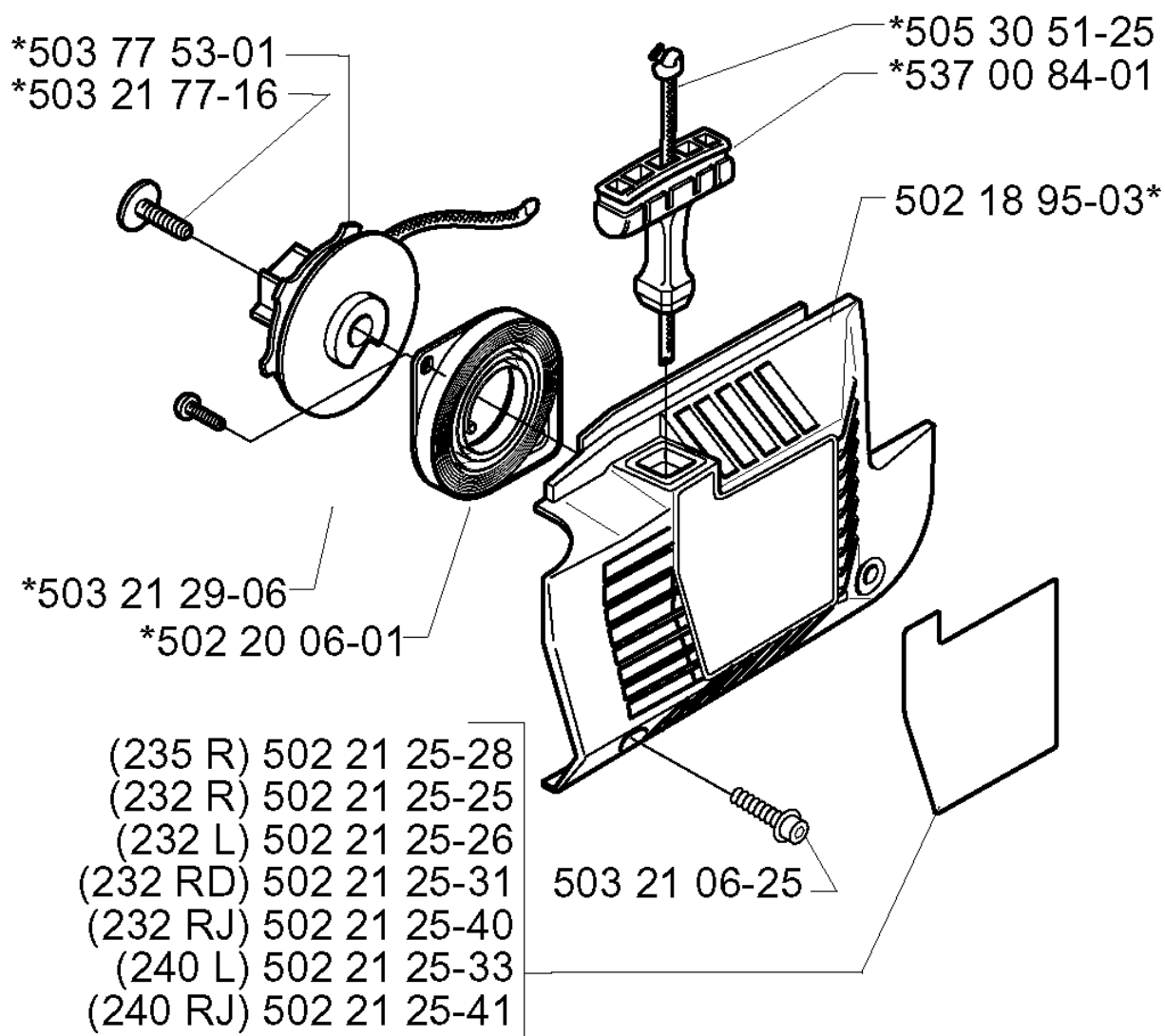


## SHAFT &amp; HANDLE

232 L, 2000-04

Part No	Description	Remark	QTY KIT
502 18 96-01	DRIVE SHAFT		1
502 19 71-01	SQUARE NUT		1
502 20 31-01	HOLDER ANTIVIBRATION		1
502 20 32-03	ANTIVIBRATION ELEMENT		2
502 20 32-03	ANTIVIBRATION ELEMENT		2
502 20 32-03	ANTIVIBRATION ELEMENT		2
502 20 32-03	ANTIVIBRATION ELEMENT		2
502 20 33-01	SUSPENSION		1
502 28 61-01	CLIPS		4
502 28 61-01	CLIPS		1
503 20 02-25	SCREW IHSCFM		1
503 20 02-30	SCREW IHSCFM		1
503 21 07-16	SCREW IHSCFT	R/RD	1
503 71 43-01	DRIVE SHAFT ASSY		1
503 72 18-01	COVER WIRING	L	1
503 72 24-01	HOLDER ANTIVIBRATION		1
503 73 45-01	LABEL		1
503 73 47-02	LOCK KABLAGE STYRE	R/RD	1
503 79 56-01	LABEL	LD	1
503 88 94-01	TUBE		1
503 88 95-01	TUBE		1
537 02 76-02	LABEL		1
537 02 76-02	LABEL		1
731 23 14-01	HEXAGON NUT		1
731 23 14-01	HEXAGON NUT		1

**T** \*compl 502 18 95-01





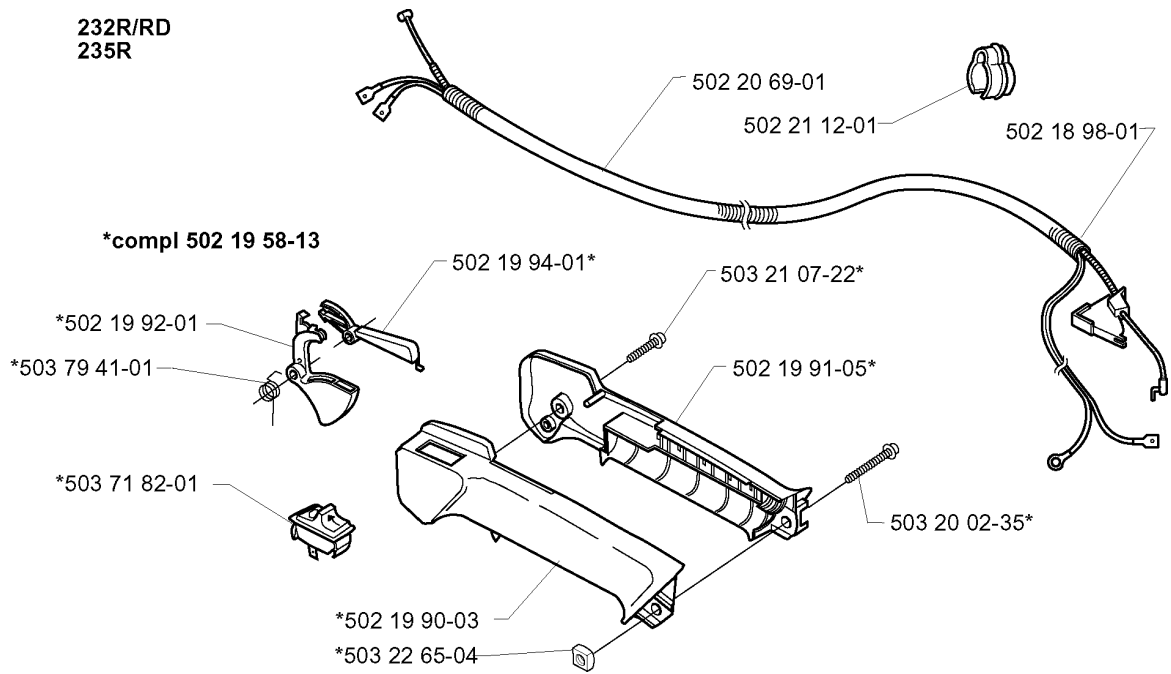
## STARTER

232 L, 2000-04

Part No	Description	Remark	QTY KIT
502 18 95-01	STARTER		1
502 18 95-03	STARTER		1
502 20 06-01	SPRING CASSETTE ASSY		1
502 21 25-25	LABEL	232 R	1
502 21 25-26	LABEL	232 L	1
502 21 25-28	LABEL	235 R	1
502 21 25-31	LABEL	232 RD	1
502 21 25-33	LABEL	240 L	1
502 21 25-40	LABEL	232 RJ	1
502 21 25-41	LABEL	240 RJ	1
503 21 06-25	SCREW IHSCFT		1
503 21 29-06	SCREW CCRPANT		1
503 21 77-16	SCREW IHSCFT		1
503 77 53-01	STARTER PULLEY		1
505 30 51-25	STARTER CORD		1
537 00 84-01	STARTER HANDLE		1

**F**

232R/RD  
235R



## THROTTLE CONTROLS

232 L, 2000-04

Part No	Description	Remark	QTY KIT
502 18 98-01	THROTTLE WIRE		1
502 19 58-13	HANDLE		1
502 19 90-03	HANDLE HALF LEFT		1
502 19 91-05	HANDLE HALF RIGHT		1
502 19 92-01	THROTTLE TRIGGER		1
502 19 94-01	THROTTLE LOCKOUT		1
502 20 69-01	WIRING		1
502 21 12-01	STAPLE		1
503 20 02-35	SCREW IHSCFM		1
503 21 07-22	SCREW IHSCFT		1
503 22 65-04	SQUARE NUT		1
503 71 82-01	SWITCH		1
503 79 41-01	RECOIL SPRING		1