

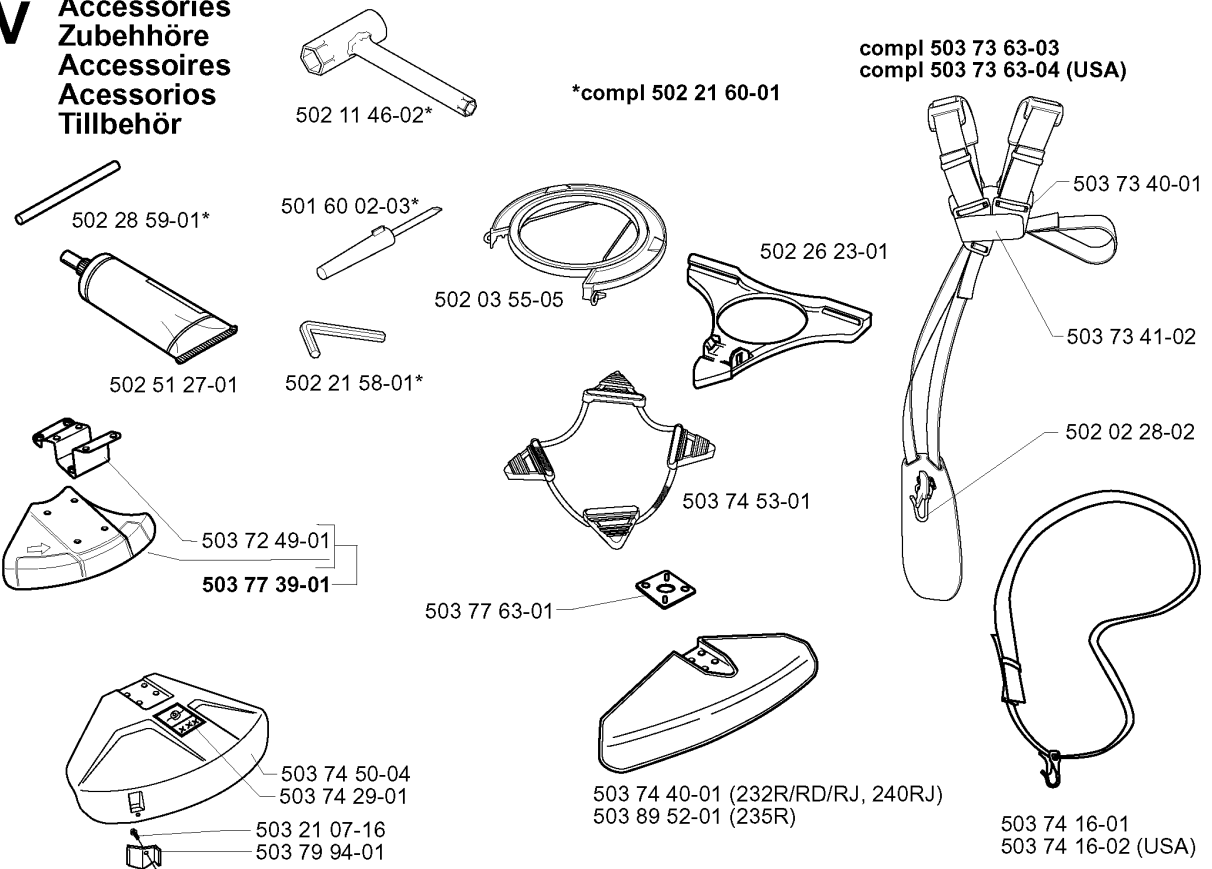


# SPARE PARTS LIST

BRUSHCUTTERS/CLEARING SAWS

240 RJ, 2000-04

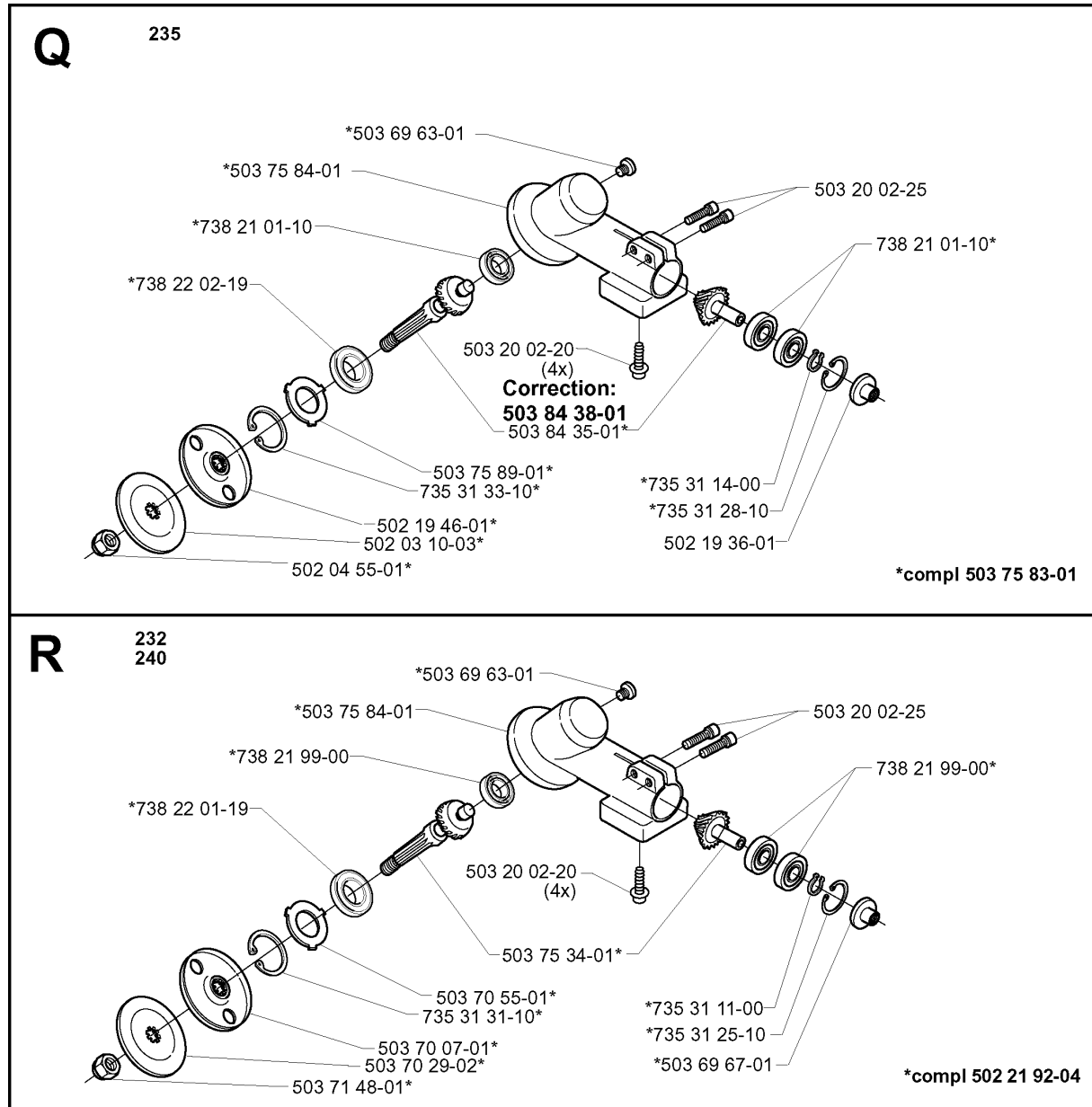
**V** Accessories  
Zubehöre  
Accessoires  
Accesorios  
Tillbehör



## ACCESSORIES

240 RJ, 2000-04

| Part No      | Description     | Remark            | QTY KIT |
|--------------|-----------------|-------------------|---------|
| 501 60 02-03 | SCREWDRIVER     |                   | 1       |
| 502 02 28-02 | WELT HOOK       |                   | 1       |
| 502 03 55-05 | TRANSPORT GUARD |                   | 1       |
| 502 11 46-02 | SOCKET WRENCH   |                   | 1       |
| 502 21 58-01 | L-NYCKEL        |                   | 1       |
| 502 21 60-01 | ACCESSORY BAG   |                   | 1       |
| 502 26 23-01 | TRANSPORT GUARD |                   | 1       |
| 502 28 59-01 | STOP            |                   | 1       |
| 502 51 27-01 | GREASE          |                   | 1       |
| 503 21 07-16 | SCREW IHSCFT    |                   | 1       |
| 503 72 49-01 | ADAPTER         |                   | 1       |
| 503 73 40-01 | FRONT PIECE     |                   | 1       |
| 503 73 41-02 | FRONT PIECE     |                   | 1       |
| 503 73 63-03 | HARNES          |                   | 1       |
| 503 73 63-04 | HARNES ASSY     | USA               | 1       |
| 503 74 16-01 | HARNES ASSY     |                   | 1       |
| 503 74 16-02 | HARNES ASSY     | USA               | 1       |
| 503 74 29-01 | DECAL           |                   | 1       |
| 503 74 40-01 | BLADE GUARD     | 232R/RD/RJ, 240RJ | 1       |
| 503 74 50-04 | TRIMMER GUARD   |                   | 1       |
| 503 74 53-01 | TRANSPORT GUARD |                   | 1       |
| 503 77 39-01 | SAW BLADE GUARD |                   | 1       |
| 503 77 63-01 | BASE PLATE      |                   | 1       |
| 503 79 94-01 | BLADE           |                   | 1       |
| 503 89 52-01 | SAW BLADE GUARD | 235R              | 1       |

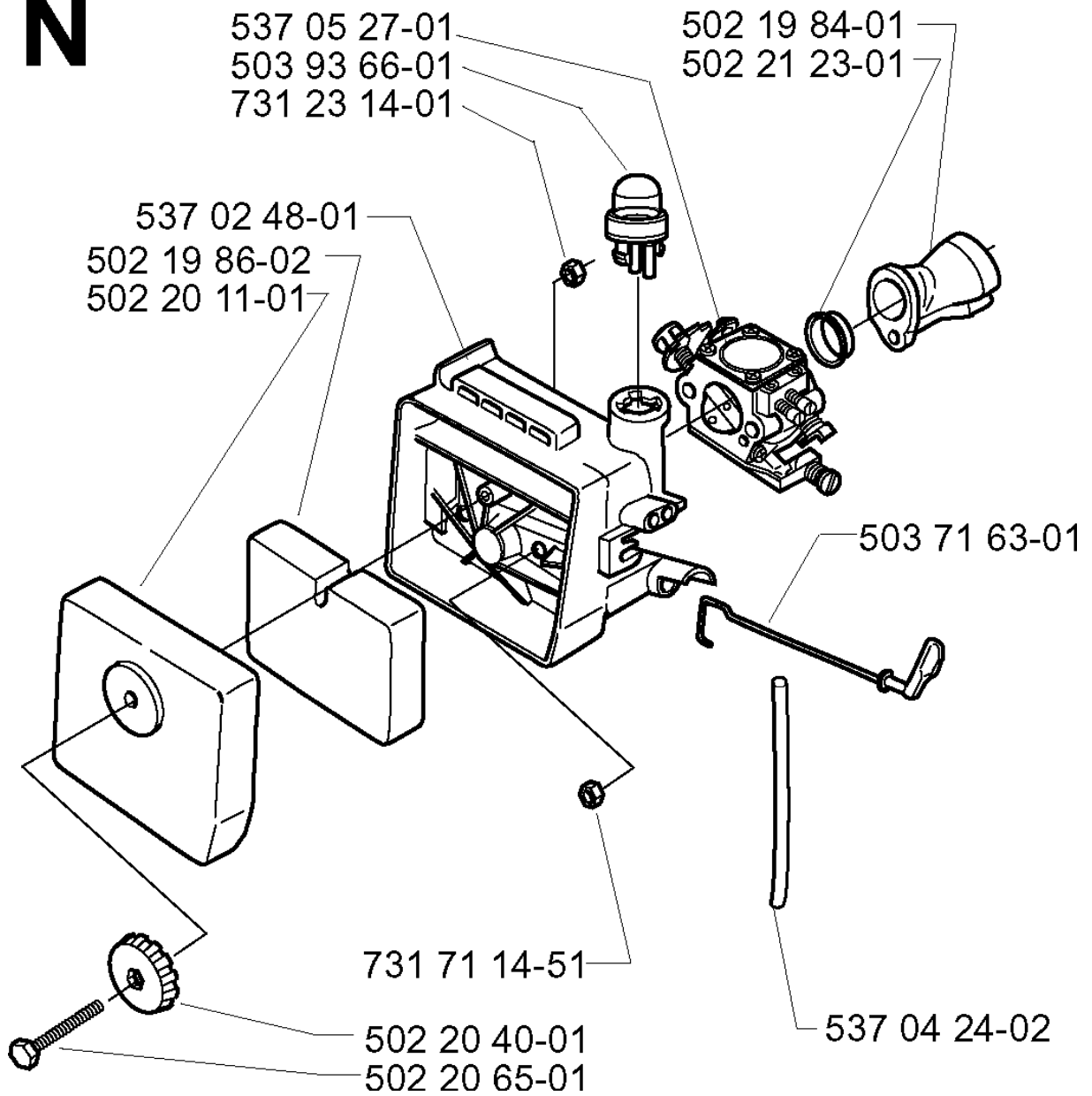


## BEVEL GEAR

240 RJ, 2000-04

| Part No      | Description         | Remark | QTY KIT |
|--------------|---------------------|--------|---------|
| 502 03 10-03 | SUPPORT FLANGE ASSY |        | 1       |
| 502 04 55-01 | LOCKING NUT         |        | 1       |
| 502 19 36-01 | GASKET RING UPPER   |        | 1       |
| 502 19 46-01 | DRIVER              |        | 1       |
| 502 21 92-04 | GEAR                |        | 1       |
| 503 20 02-20 | SCREW IHSCFM        | 4X     | 1       |
| 503 20 02-25 | SCREW IHSCFM        |        | 1       |
| 503 69 63-01 | PLUG                |        | 1       |
| 503 69 67-01 | GASKET RING UPPER   |        | 1       |
| 503 70 07-01 | DRIVER              |        | 1       |
| 503 70 29-02 | SUPPORT FLANGE      |        | 1       |
| 503 70 55-01 | COVER WASHER        |        | 1       |
| 503 71 48-01 | NUT BLADE           |        | 1       |
| 503 75 34-01 | GEAR WHEEL          |        | 1       |
| 503 75 83-01 | GEAR                |        | 1       |
| 503 75 84-01 | GEAR HOUSING        |        | 1       |
| 503 75 89-01 | COVER WASHER        |        | 1       |
| 503 84 35-01 | GEAR WHEEL          |        | 1       |
| 503 84 38-01 | GEAR WHEEL          |        | 1       |
| 735 31 11-00 | CIRCLIP             |        | 1       |
| 735 31 14-00 | CIRCLIP             |        | 1       |
| 735 31 25-10 | CIRCLIP             |        | 1       |
| 735 31 28-10 | CIRCLIP             |        | 1       |
| 735 31 31-10 | CIRCLIP             |        | 1       |
| 735 31 33-10 | CIRCLIP             |        | 1       |
| 738 21 01-10 | BALL BEARING        |        | 1       |
| 738 21 01-10 | BALL BEARING        |        | 1       |
| 738 21 99-00 | BALL BEARING        |        | 1       |
| 738 22 01-19 | BALL BEARING        |        | 1       |
| 738 22 02-19 | BALL BEARING        |        | 1       |

**N**

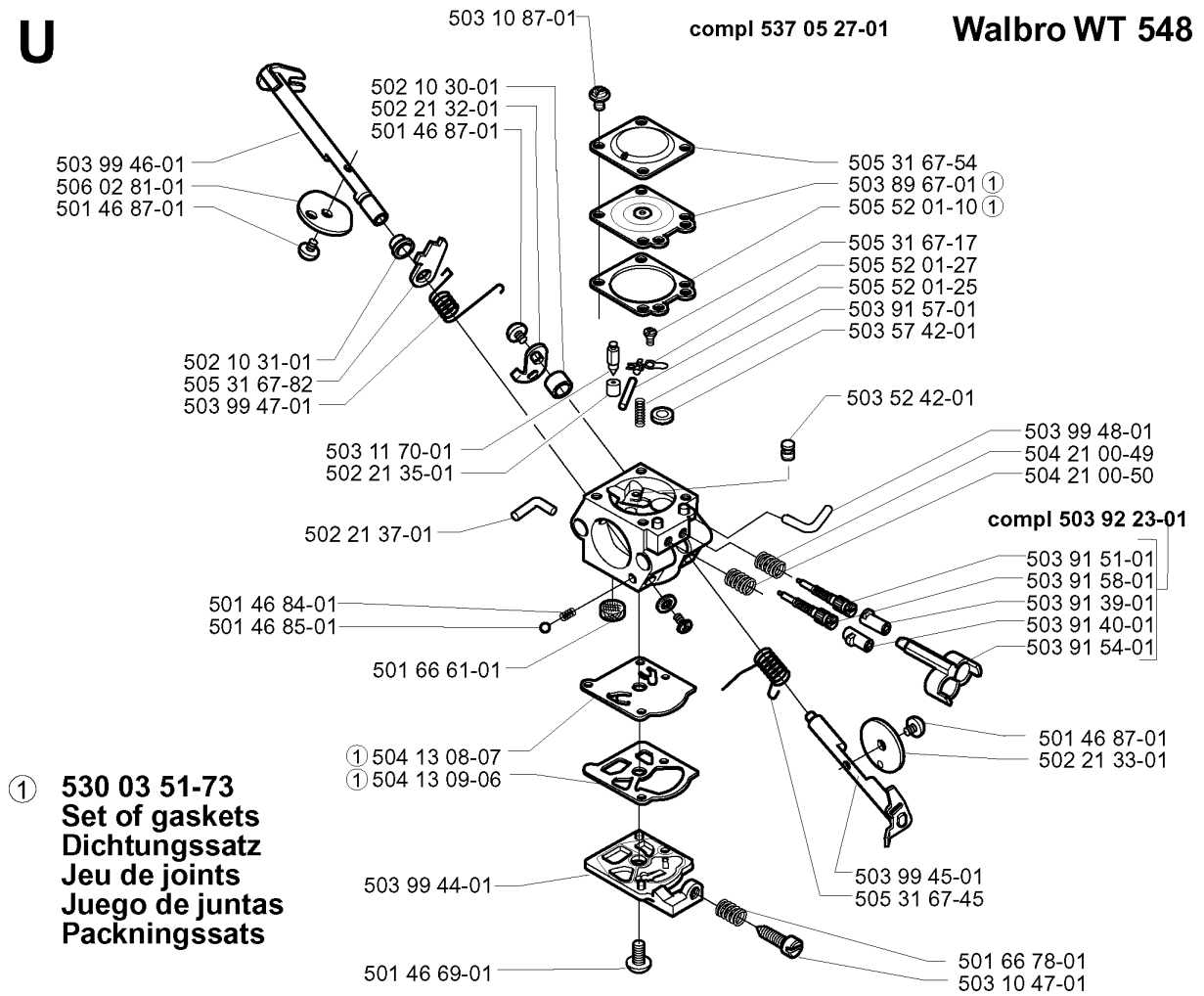


## CARBURETOR &amp; AIR FILTER

240 RJ, 2000-04

| Part No      | Description         | Remark | QTY KIT |
|--------------|---------------------|--------|---------|
| 502 19 84-01 | INLET PIPE          |        | 1       |
| 502 19 86-02 | AIR FILTER          |        | 1       |
| 502 20 11-01 | FILTER COVER        |        | 1       |
| 502 20 40-01 | KNOB                |        | 1       |
| 502 20 65-01 | SCREW EHHM          |        | 1       |
| 502 21 23-01 | SUPPORT RING        |        | 1       |
| 503 71 63-01 | CHOKE CONTROL       |        | 1       |
| 503 93 66-01 | PRIMER HOUSING      |        | 1       |
| 537 02 48-01 | FILTER HOLDER       |        | 1       |
| 537 04 24-02 | FUEL HOSE           |        | 1       |
| 537 05 27-01 | CARBURETTOR         |        | 1       |
| 731 23 14-01 | HEXAGON NUT         |        | 1       |
| 731 71 14-51 | HEXAGON NUT FLANGED |        | 1       |

**U**

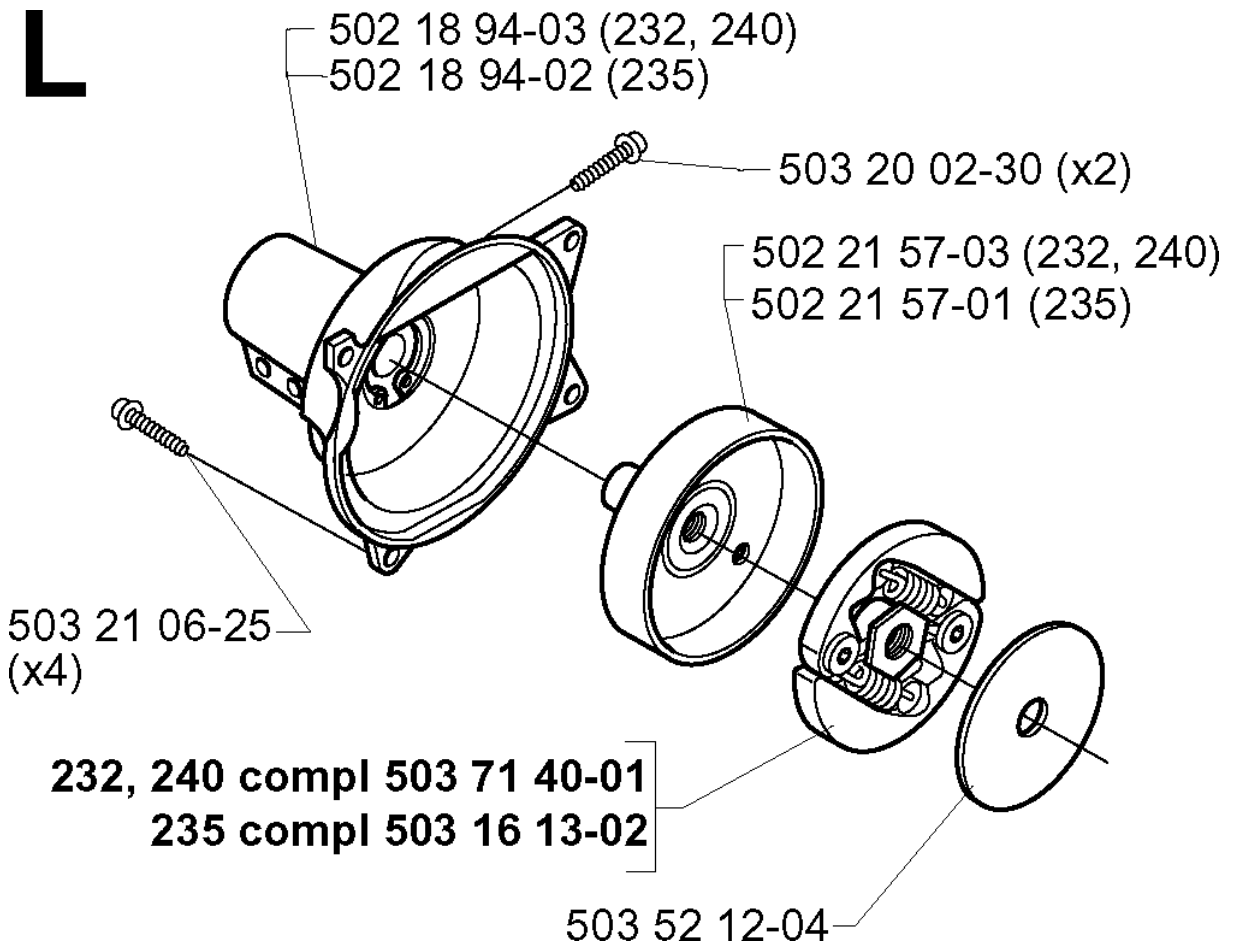




## CARBURETOR DETAILS

240 RJ, 2000-04

| Part No      | Description         | Remark                         | QTY KIT |
|--------------|---------------------|--------------------------------|---------|
| 501 46 69-01 | SCREW               |                                | 1       |
| 501 46 84-01 | SPRING              |                                | 1       |
| 501 46 85-01 | BALL-CHOKE FRICTION |                                | 1       |
| 501 46 87-01 | SCREW               |                                | 1       |
| 501 46 87-01 | SCREW               |                                | 1       |
| 501 46 87-01 | SCREW               |                                | 1       |
| 501 66 61-01 | SCREEN-INLET        |                                | 1       |
| 501 66 78-01 | SPRING              |                                | 1       |
| 502 10 30-01 | DISTANCE            |                                | 1       |
| 502 10 31-01 | BUSHING             |                                | 1       |
| 502 21 32-01 | LEVER THROTTLE      |                                | 1       |
| 502 21 33-01 | VALVE THROTTLE      |                                | 1       |
| 502 21 35-01 | SEAT INLET VALVE    |                                | 1       |
| 502 21 37-01 | FITTING FUEL INLET  |                                | 1       |
| 503 10 47-01 | SCREW               |                                | 1       |
| 503 10 87-01 | SCREW               |                                | 1       |
| 503 11 70-01 | VALVE-INLET NEEDLE  |                                | 1       |
| 503 31 67-45 |                     |                                | 1       |
| 503 52 42-01 | NOZZLE ASSY         |                                | 1       |
| 503 57 42-01 | PLUG-WELCH          |                                | 1       |
| 503 89 67-01 | DIAPHRAGM           | 530 03 51-73 SET OF<br>GASKETS | 1       |
| 503 91 39-01 | LIMITER CAP         |                                | 1       |
| 503 91 40-01 | LIMITER CAP         |                                | 1       |
| 503 91 51-01 | NEEDLE              |                                | 1       |
| 503 91 54-01 | RETAINER            |                                | 1       |
| 503 91 57-01 | SPRING              |                                | 1       |
| 503 91 58-01 | NEEDLE              |                                | 1       |
| 503 92 23-01 | LIMITER CAP         |                                | 1       |
| 503 99 44-01 | COVER               |                                | 1       |
| 503 99 45-01 | SHAFT ASSY          |                                | 1       |
| 503 99 46-01 | SHAFT ASSY          |                                | 1       |
| 503 99 47-01 | SPRING              |                                | 1       |
| 503 99 48-01 | FITTING             |                                | 1       |
| 504 13 08-07 | DIAPHRAGM PUMP      | 530 03 51-73 SET OF<br>GASKETS | 1       |
| 504 13 09-06 | GASKET              | 530 03 51-73 SET OF<br>GASKETS | 1       |
| 504 21 00-49 | SPRING              |                                | 1       |
| 504 21 00-50 | SPRING              |                                | 1       |
| 505 31 67-17 | SCREW               |                                | 1       |
| 505 31 67-54 | LOCK STYRMEMBRAN    |                                | 1       |
| 505 31 67-82 | LEVER               |                                | 1       |
| 505 52 01-10 | GASKET              | 530 03 51-73 SET OF<br>GASKETS | 1       |
| 505 52 01-25 | PIN-METERING LEVER  |                                | 1       |
| 505 52 01-27 | LEVER               |                                | 1       |
| 506 02 81-01 | VALVE               |                                | 1       |
| 537 05 27-01 | CARBURETTOR         |                                | 1       |



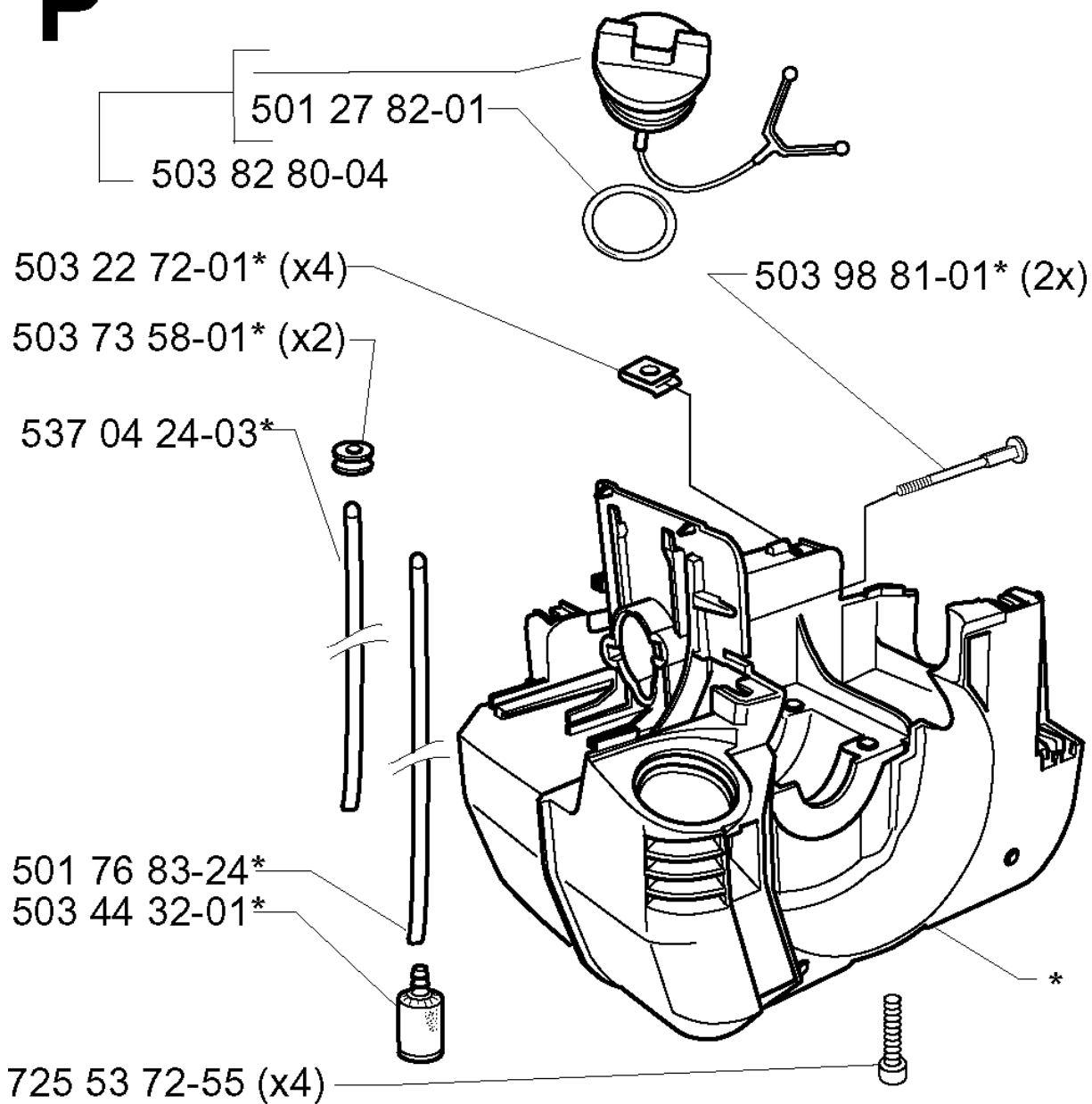
## CLUTCH

240 RJ, 2000-04

| Part No      | Description       | Remark   | QTY KIT |
|--------------|-------------------|----------|---------|
| 502 18 94-02 | CLUTCH COVER ASSY | 235      | 1       |
| 502 18 94-03 | CLUTCH COVER ASSY | 232, 240 | 1       |
| 502 21 57-01 | CLUTCH DRUM ASSY  | 235      | 1       |
| 502 21 57-03 | CLUTCH DRUM ASSY  | 232, 240 | 1       |
| 503 16 13-02 | CLUTCH ASSY       | 235      | 1       |
| 503 20 02-30 | SCREW IHSCFM      |          | 2       |
| 503 21 06-25 | SCREW IHSCFT      |          | 4       |
| 503 52 12-04 | WASHER            |          | 1       |
| 503 71 40-01 | CLUTCH ASSY       | 232, 240 | 1       |

**P**

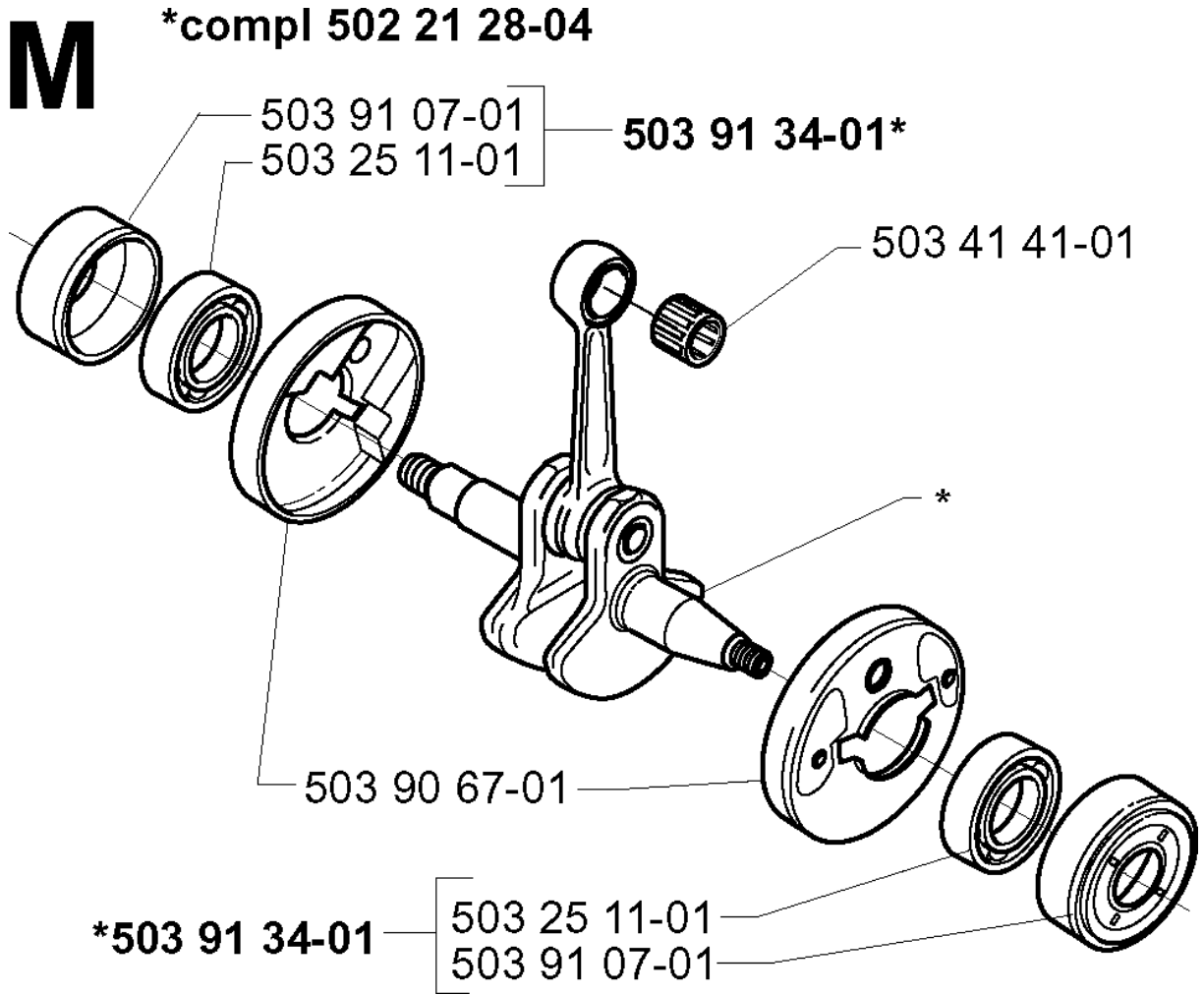
**\*compl 503 84 00-02**



## CRANKCASE

240 RJ, 2000-04

| Part No      | Description   | Remark | QTY KIT |
|--------------|---------------|--------|---------|
| 501 27 82-01 | GASKET        |        | 1       |
| 501 76 83-24 | FUEL HOSE     |        | 1       |
| 503 22 72-01 | SPEED NUT     |        | 4       |
| 503 44 32-01 | FILTER        |        | 1       |
| 503 73 58-01 | BUSHING       |        | 2       |
| 503 82 80-04 | TANK CAP ASSY |        | 1       |
| 503 84 00-02 | CRANKCASE     |        | 1       |
| 503 98 81-01 | SCREW         | 2X     | 1       |
| 537 04 24-03 | FUEL HOSE     |        | 1       |
| 725 53 72-55 | SCREW IHSCM   |        | 4       |

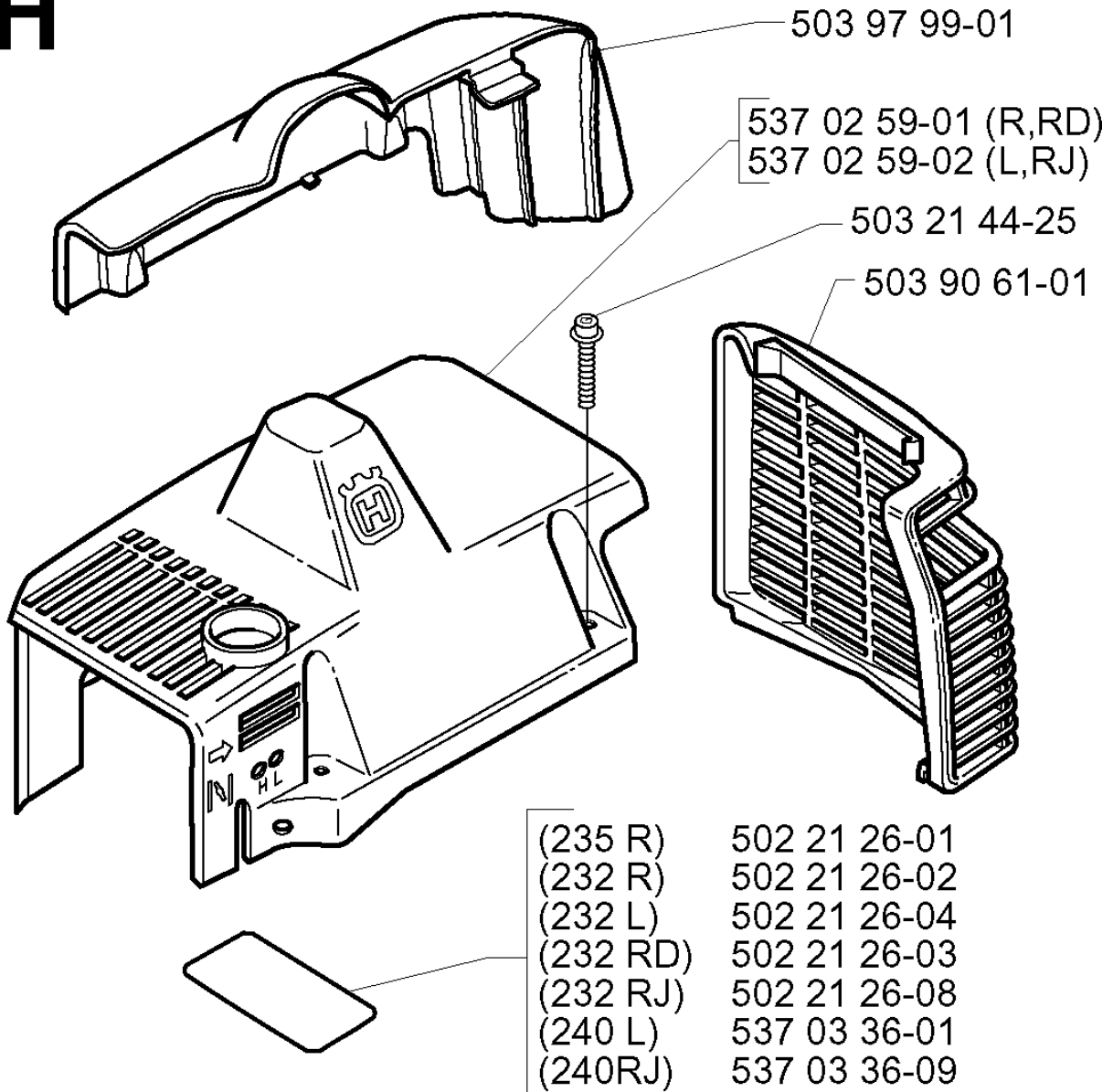


## CRANKSHAFT

240 RJ, 2000-04

| Part No      | Description     | Remark | QTY KIT |
|--------------|-----------------|--------|---------|
| 502 21 28-04 | CRANKSHAFT ASSY |        | 1       |
| 503 25 11-01 | BALL BEARING    |        | 1       |
| 503 25 11-01 | BALL BEARING    |        | 1       |
| 503 41 41-01 | NEEDLE BEARING  |        | 1       |
| 503 90 67-01 | CUP             |        | 1       |
| 503 91 07-01 | BEARING CAGE    |        | 1       |
| 503 91 07-01 | BEARING CAGE    |        | 1       |
| 503 91 34-01 | BEARING CAGE    |        | 1       |
| 503 91 34-01 | BEARING CAGE    |        | 1       |

**H**





## CYLINDER COVER

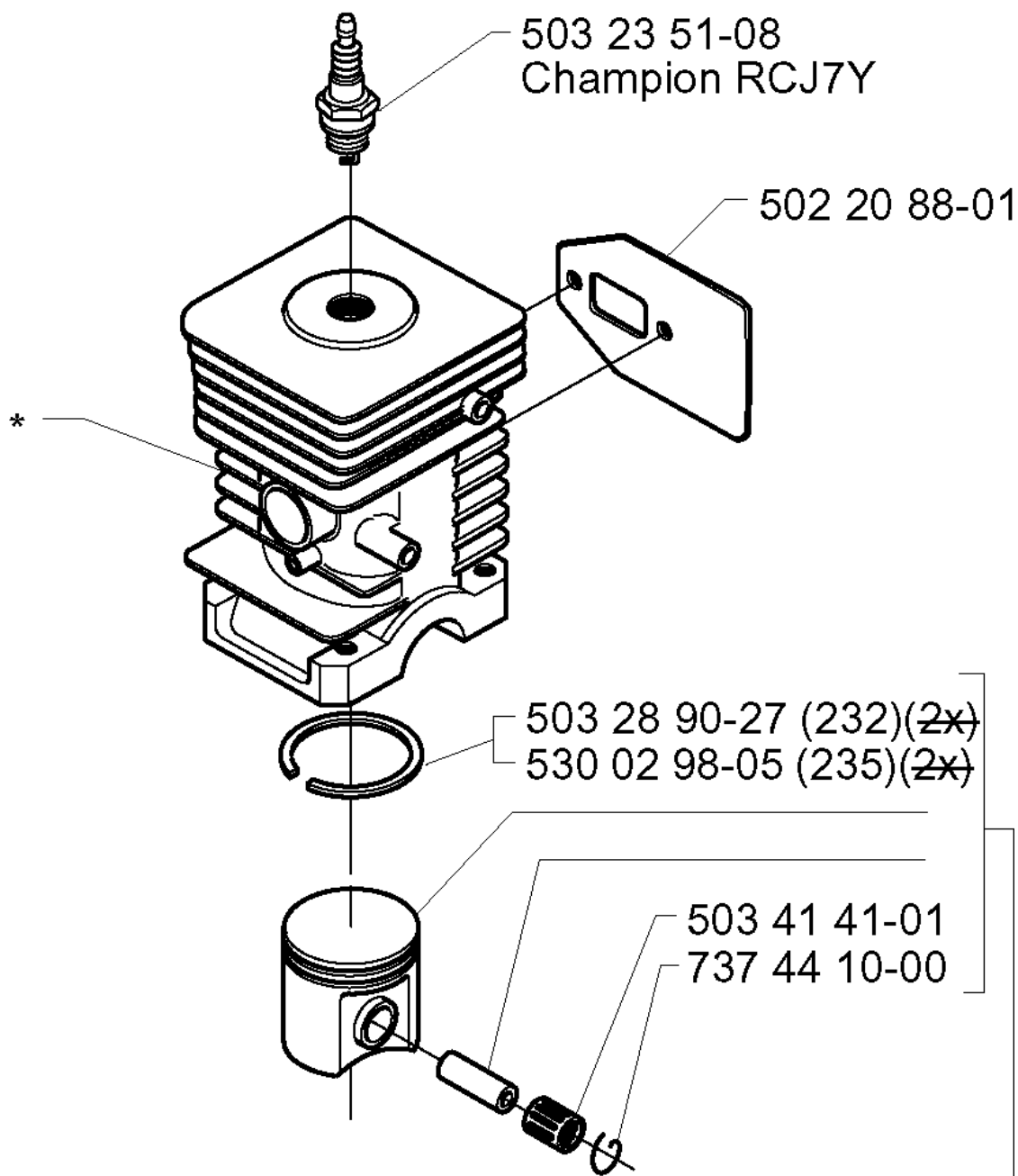
240 RJ, 2000-04

| Part No      | Description    | Remark | QTY KIT |
|--------------|----------------|--------|---------|
| 502 21 26-01 | DECAL          | 235 R  | 1       |
| 502 21 26-02 | DECAL          | 232 R  | 1       |
| 502 21 26-03 | DECAL          | 232 RD | 1       |
| 502 21 26-04 | DECAL          | 232 L  | 1       |
| 502 21 26-08 | DECAL          | 232 RJ | 1       |
| 503 21 44-25 | SCREW IHSCFTO  |        | 1       |
| 503 90 61-01 | HEAT PROTECTOR |        | 1       |
| 503 97 99-01 | ARM PROTECTION |        | 1       |
| 537 02 59-01 | CYLINDER COVER | R,RD   | 1       |
| 537 02 59-02 | CYLINDER COVER | L,RJ   | 1       |
| 537 03 36-01 | LABEL          | 240 L  | 1       |
| 537 03 36-09 | LABEL          | 240RJ  | 1       |

**J**

**\*compl 503 72 80-01 (232)**

**\*compl 503 69 46-01 (235, 240))**



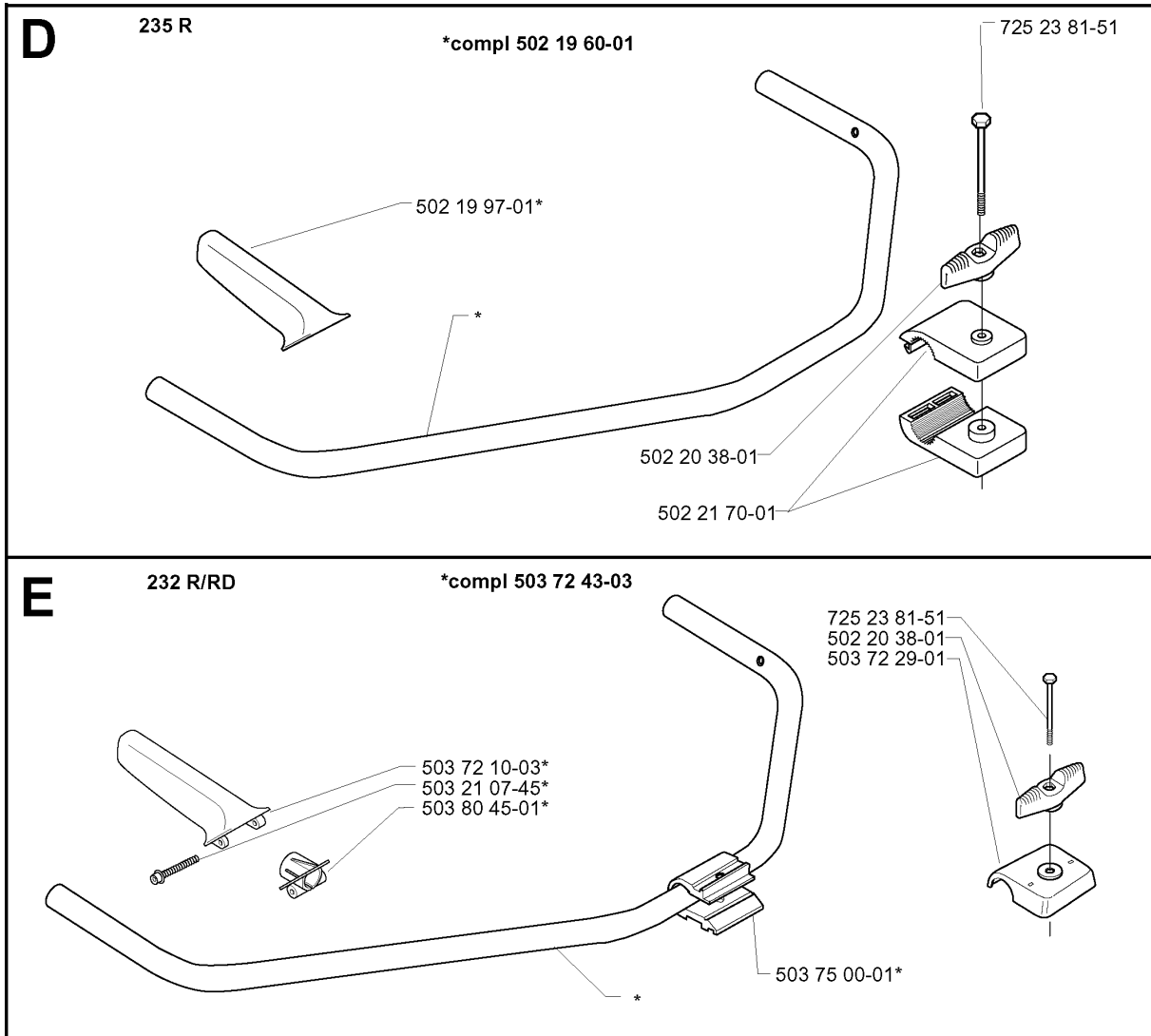
**\*compl 502 21 43-02 (232)**

**\*compl 503 68 64-02 (235, 240)**

## CYLINDER PISTON

240 RJ, 2000-04

| Part No      | Description      | Remark         | QTY KIT |
|--------------|------------------|----------------|---------|
| 502 20 88-01 | GASKET MUFFLER   |                | 1       |
| 502 21 43-02 | PISTON ASSY      | 232            | 1       |
| 503 23 51-08 | SPARK PLUG       | CHAMPION RCJ7Y | 1       |
| 503 28 90-27 | PISTON RING      | 232            | 1       |
| 503 41 41-01 | NEEDLE BEARING   |                | 1       |
| 503 68 64-02 | PISTON ASSY      | 235, 240       | 1       |
| 503 69 46-01 | PISTON           | 235, 240       | 1       |
| 503 72 80-01 | KOLV + CYL R-DEL | 232            | 1       |
| 530 02 98-05 | PISTON RING      | 235            | 1       |
| 737 44 10-00 | SNAP RING        |                | 1       |



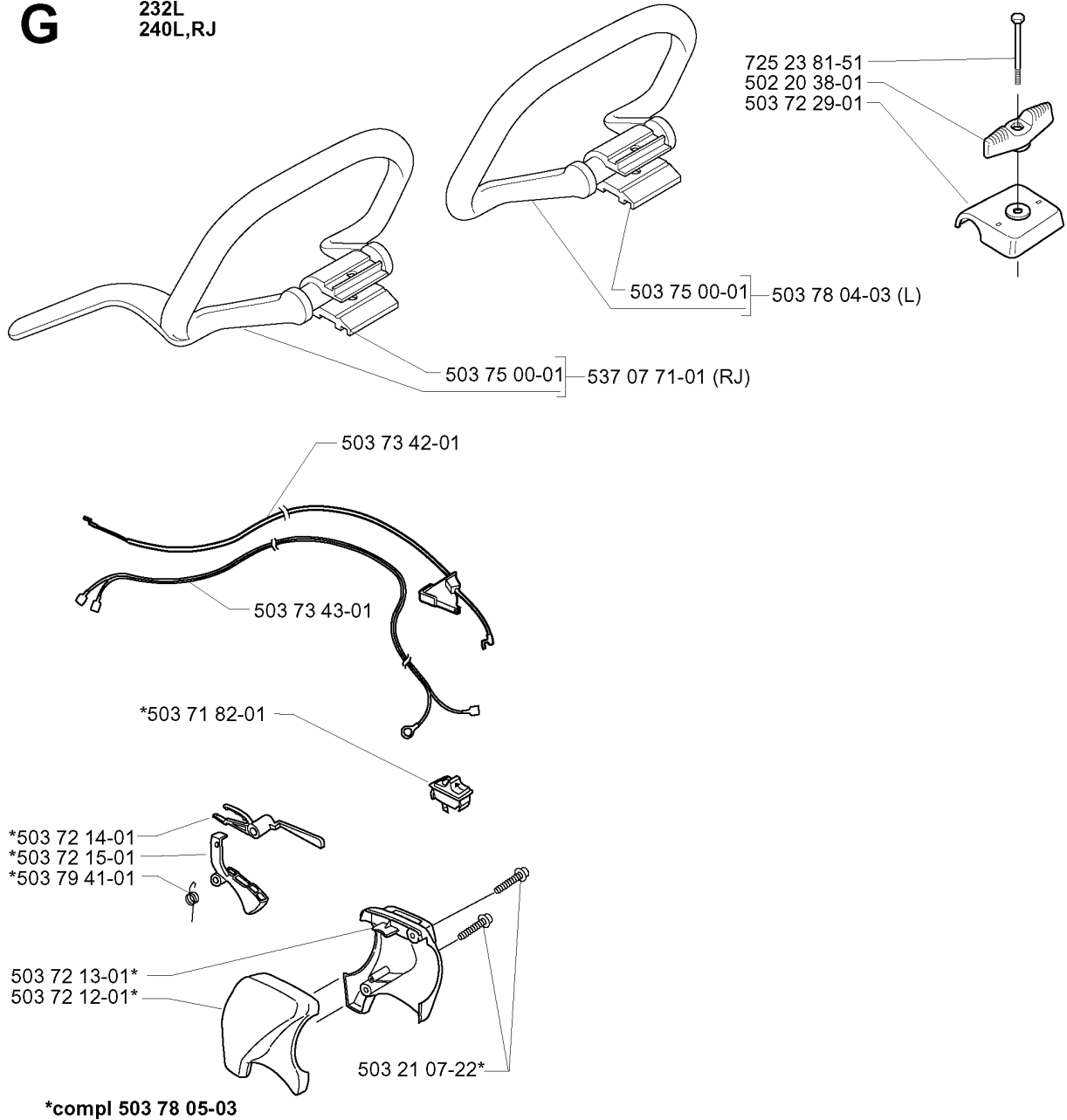
## HANDLE

240 RJ, 2000-04

| Part No      | Description         | Remark | QTY KIT |
|--------------|---------------------|--------|---------|
| 502 19 60-01 | HANDLEBAR           |        | 1       |
| 502 19 97-01 | HANDLE              |        | 1       |
| 502 20 38-01 | KNOB                |        | 1       |
| 502 21 70-01 | HANDLEBAR BRACKET   |        | 1       |
| 503 21 07-45 | SCREW IHSCFT        |        | 1       |
| 503 72 10-03 | HANDLE              |        | 1       |
| 503 72 29-01 | COVER HANDLE BAR    |        | 1       |
| 503 72 43-03 | HANDLEBAR PART ASSY |        | 1       |
| 503 75 00-01 | HANDLEBAR BRACKET   |        | 1       |
| 503 80 45-01 | BRACKET             |        | 1       |
| 725 23 81-51 | SCREW EHHM          |        | 1       |

**G**

232L  
240L,RJ



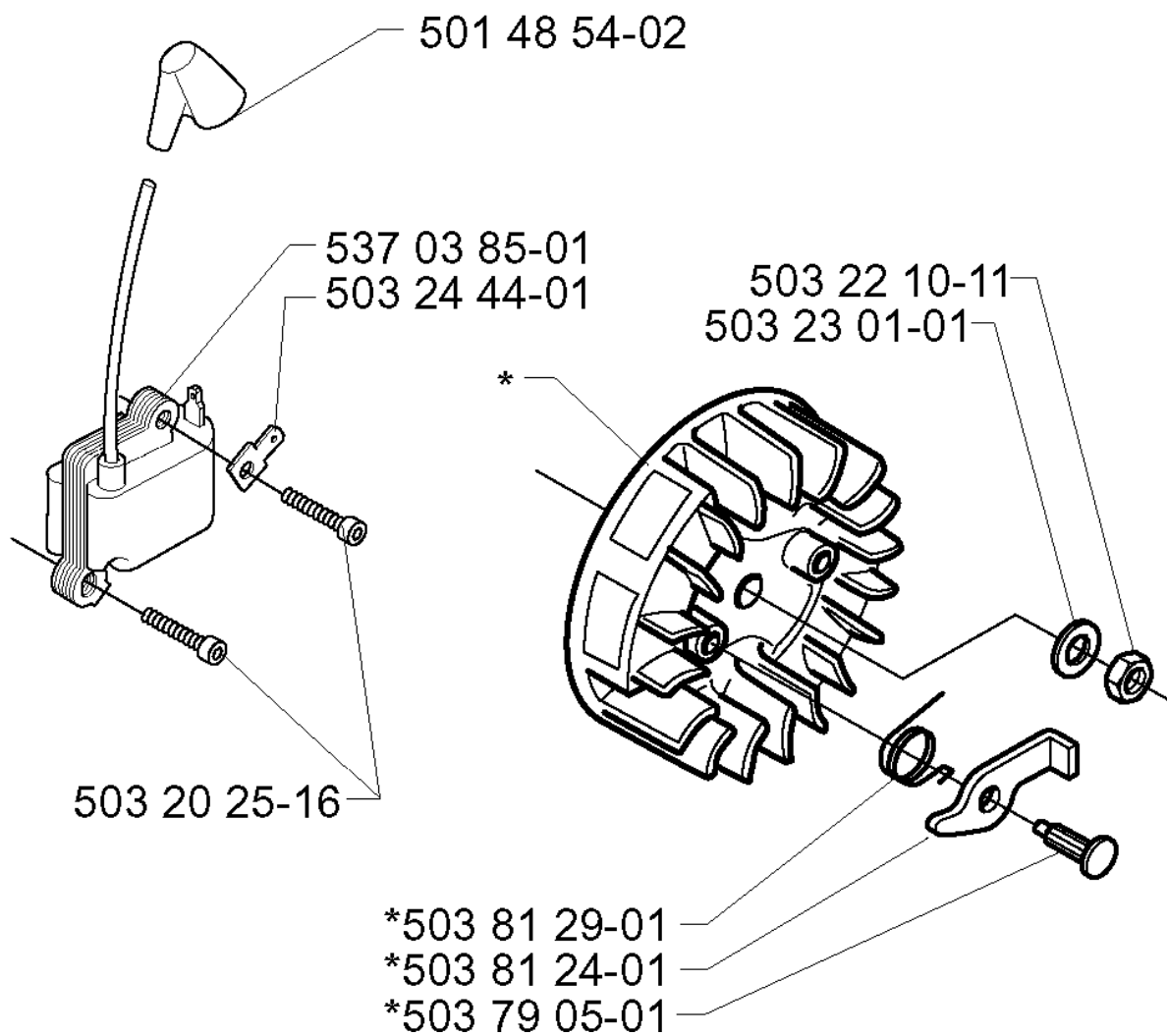
## HANDLE &amp; CONTROLS

240 RJ, 2000-04

| Part No      | Description         | Remark | QTY KIT |
|--------------|---------------------|--------|---------|
| 502 20 38-01 | KNOB                |        | 1       |
| 503 07 71-01 | SPRING              | RJ     | 1       |
| 503 21 07-22 | SCREW IHSCFT        |        | 1       |
| 503 71 82-01 | SWITCH              |        | 1       |
| 503 72 12-01 | HANDLE HALF LEFT    |        | 1       |
| 503 72 13-01 | HANDLE HALF RIGHT   |        | 1       |
| 503 72 14-01 | THROTTLE LOCKOUT    |        | 1       |
| 503 72 15-01 | THROTTLE TRIGGER    |        | 1       |
| 503 72 29-01 | COVER HANDLE BAR    |        | 1       |
| 503 73 42-01 | THROTTLE WIRE ASSY  |        | 1       |
| 503 73 43-01 | SHORT CIRCUIT CABLE |        | 1       |
| 503 75 00-01 | HANDLEBAR BRACKET   |        | 1       |
| 503 75 00-01 | HANDLEBAR BRACKET   |        | 1       |
| 503 78 04-03 | HANDLE LOOP         | L      | 1       |
| 503 78 05-03 | HANDLE              |        | 1       |
| 503 79 41-01 | RECOIL SPRING       |        | 1       |
| 725 23 81-51 | SCREW EHHM          |        | 1       |

**S**

**\*compl 503 79 06-01**



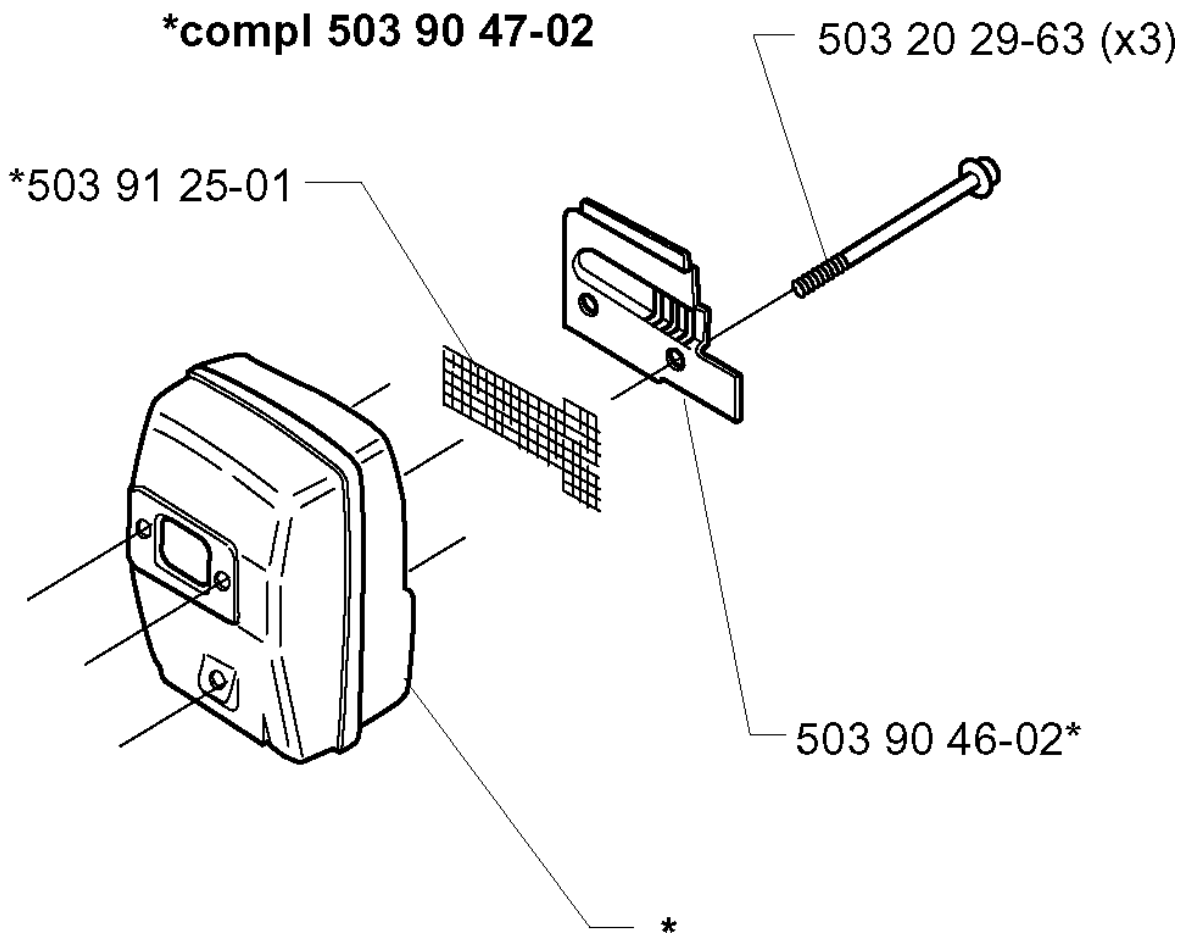


## IGNITION SYSTEM

240 RJ, 2000-04

| Part No      | Description       | Remark | QTY KIT |
|--------------|-------------------|--------|---------|
| 501 48 54-02 | SPARK PLUG CAP    |        | 1       |
| 503 20 25-16 | SCREW IHSCM       |        | 1       |
| 503 22 10-11 | HEXAGON NUT       |        | 1       |
| 503 23 01-01 | WASHER            |        | 1       |
| 503 24 44-01 | FLAT PIN          |        | 1       |
| 503 79 05-01 | RIVET             |        | 1       |
| 503 79 06-01 | FLYWHEEL          |        | 1       |
| 503 81 24-01 | STARTER PAWL      |        | 1       |
| 503 81 29-01 | SPRING            |        | 1       |
| 537 03 85-01 | ELECTRONIC MODULE |        | 1       |

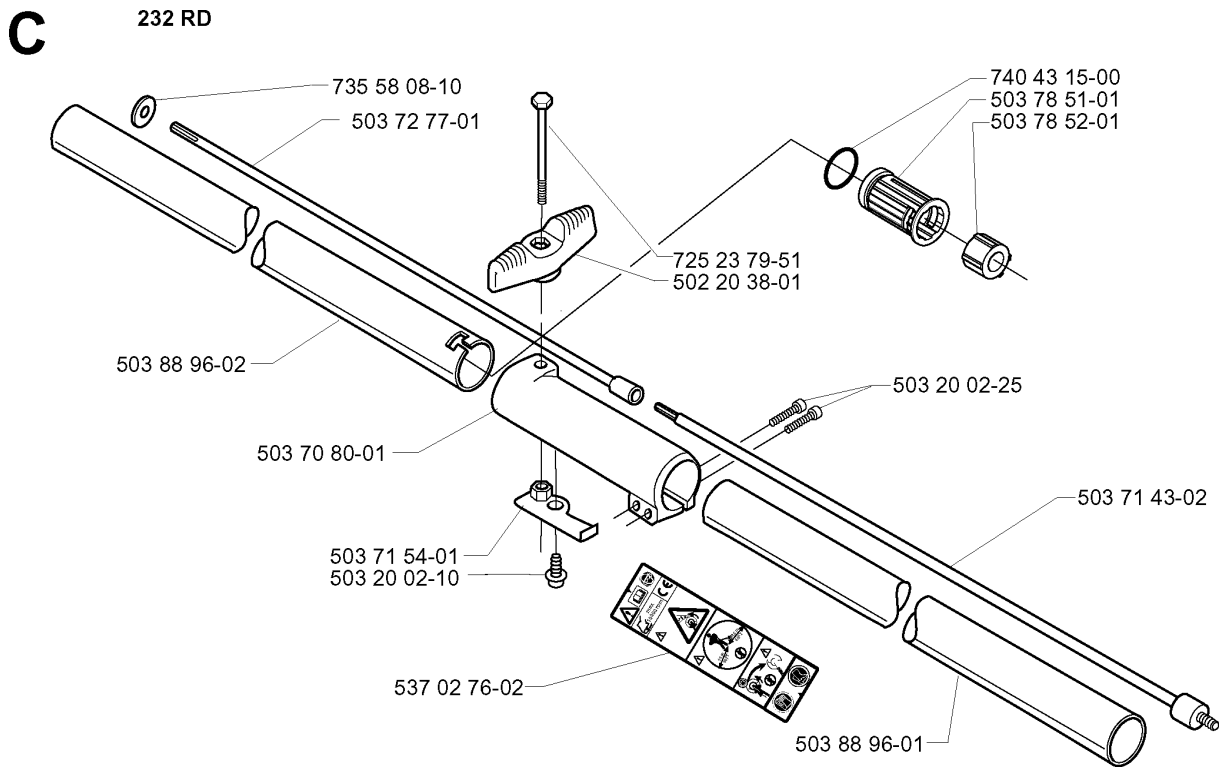
# K



MUFFLER

240 RJ, 2000-04

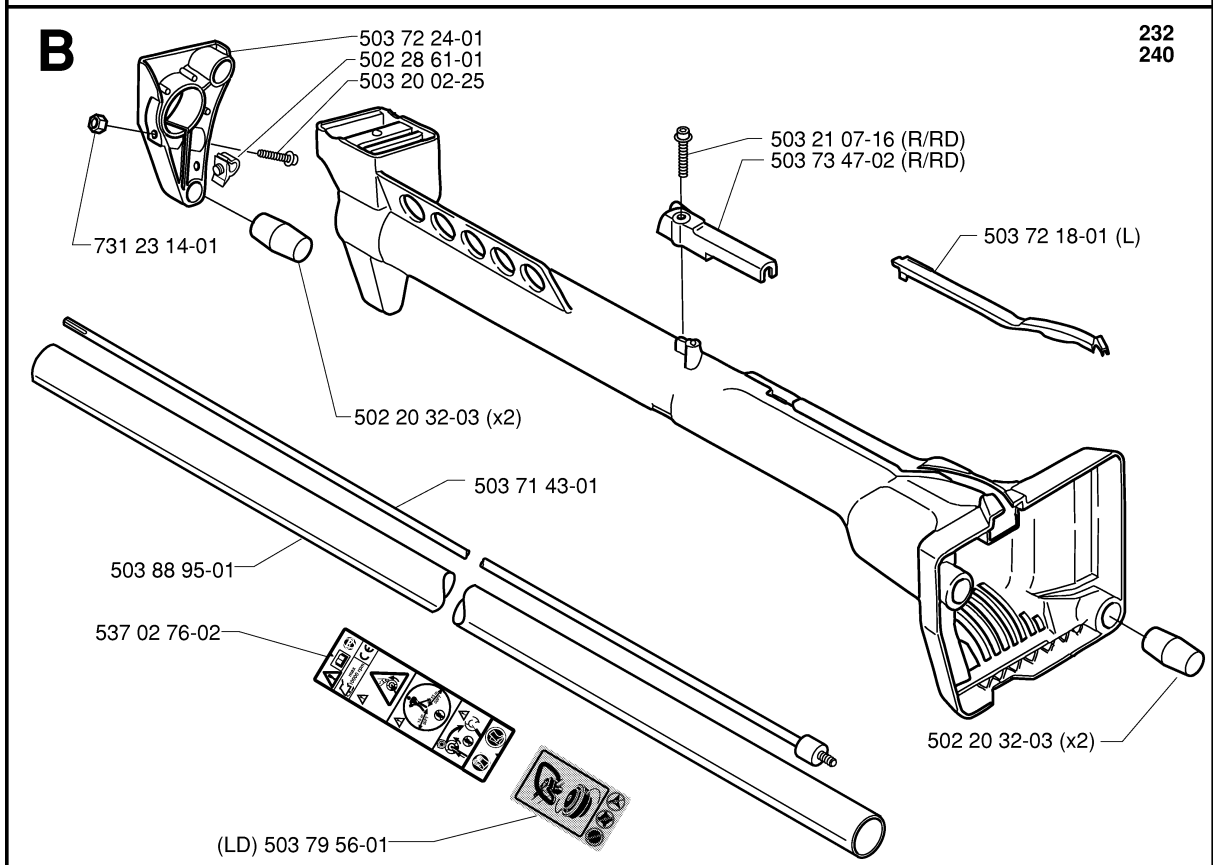
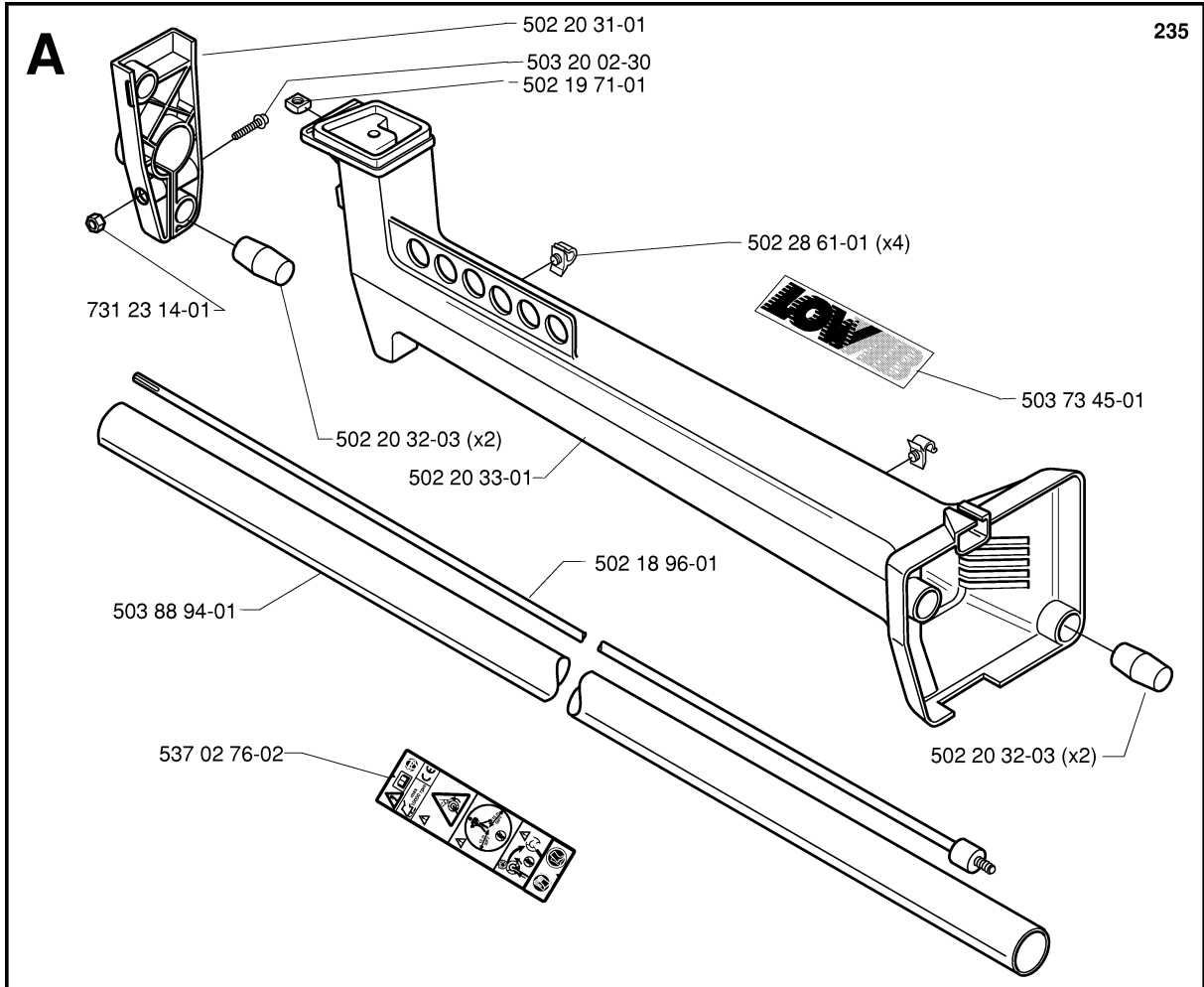
| Part No      | Description           | Remark | QTY KIT |
|--------------|-----------------------|--------|---------|
| 503 20 29-63 | SCREW IHSCFM          |        | 3       |
| 503 90 46-02 | EXHAUST DUCT          |        | 1       |
| 503 90 47-02 | MUFFLER ASSY          |        | 1       |
| 503 91 25-01 | SPARK ARRESTOR SCREEN |        | 1       |



## SHAFT

240 RJ, 2000-04

| Part No      | Description        | Remark | QTY KIT |
|--------------|--------------------|--------|---------|
| 502 20 38-01 | KNOB               |        | 1       |
| 503 20 02-10 | SCREW IHSCFM       |        | 1       |
| 503 20 02-25 | SCREW IHSCFM       |        | 1       |
| 503 70 80-01 | COMPRESSION SLEEVE |        | 1       |
| 503 71 43-02 | DRIVE SHAFT ASSY   |        | 1       |
| 503 71 54-01 | LOCKING PLATE      |        | 1       |
| 503 72 77-01 | DRIVE SHAFT ASSY   |        | 1       |
| 503 78 51-01 | BEARING CAGE       |        | 1       |
| 503 78 52-01 | SUPPORTING BEARING |        | 1       |
| 503 88 96-01 | TUBE               |        | 1       |
| 503 88 96-02 | TUBE               |        | 1       |
| 537 02 76-02 | LABEL              |        | 1       |
| 725 23 79-51 | SCREW EHHM         |        | 1       |
| 735 58 08-10 | LOCK WASHER        |        | 1       |
| 740 43 15-00 | O-RING             |        | 1       |

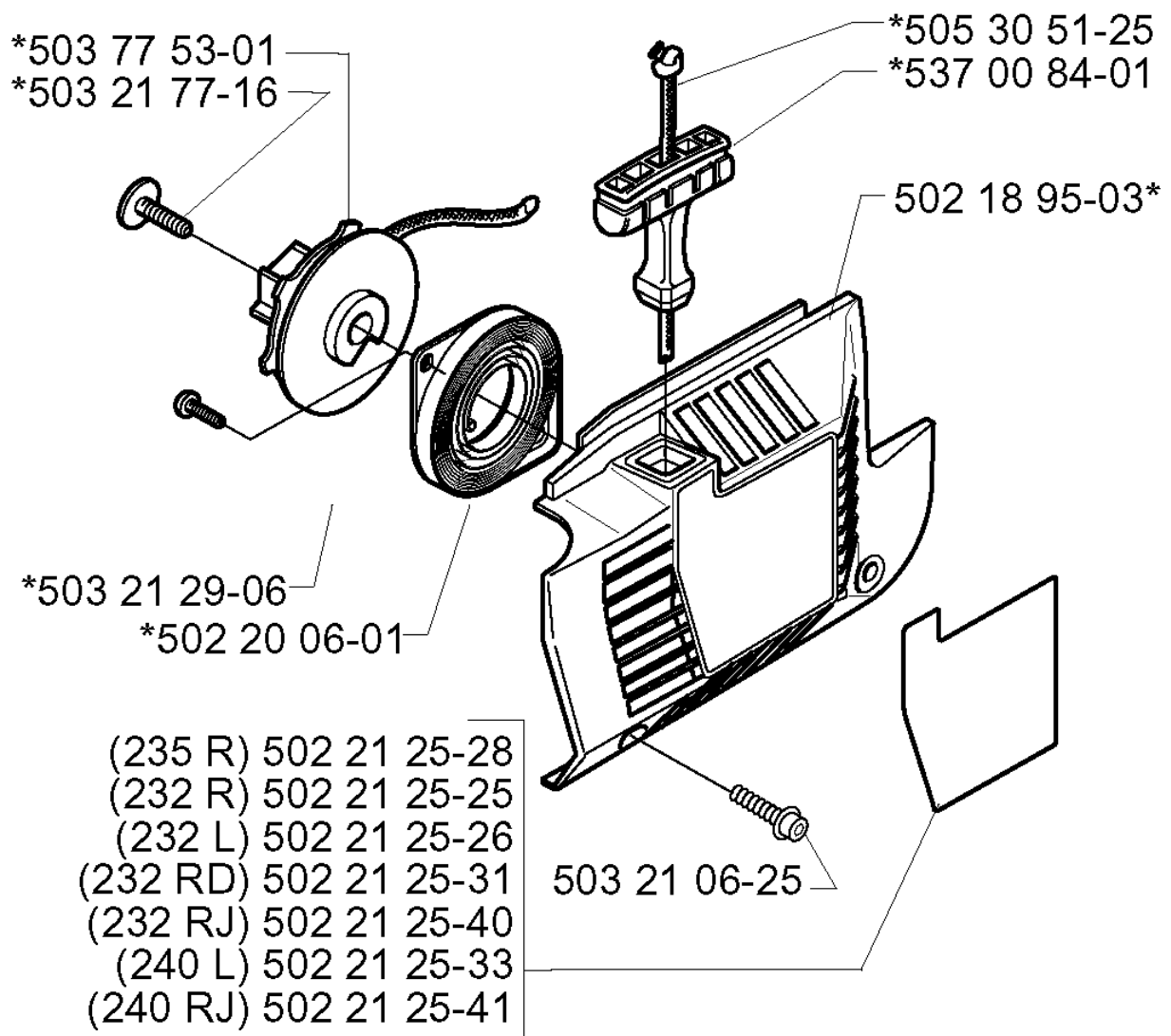


## SHAFT &amp; HANDLE

240 RJ, 2000-04

| Part No      | Description           | Remark | QTY KIT |
|--------------|-----------------------|--------|---------|
| 502 18 96-01 | DRIVE SHAFT           |        | 1       |
| 502 19 71-01 | SQUARE NUT            |        | 1       |
| 502 20 31-01 | HOLDER ANTIVIBRATION  |        | 1       |
| 502 20 32-03 | ANTIVIBRATION ELEMENT |        | 2       |
| 502 20 32-03 | ANTIVIBRATION ELEMENT |        | 2       |
| 502 20 33-01 | SUSPENSION            |        | 1       |
| 502 28 61-01 | CLIPS                 |        | 1       |
| 503 20 02-25 | SCREW IHSCFM          |        | 1       |
| 503 20 02-30 | SCREW IHSCFM          |        | 1       |
| 503 21 07-16 | SCREW IHSCFT          | R/RD   | 1       |
| 503 71 43-01 | DRIVE SHAFT ASSY      |        | 1       |
| 503 72 18-01 | COVER WIRING          | L      | 1       |
| 503 72 24-01 | HOLDER ANTIVIBRATION  |        | 1       |
| 503 73 45-01 | LABEL                 |        | 1       |
| 503 73 47-02 | LOCK KABLAGE STYRE    | R/RD   | 1       |
| 503 79 56-01 | LABEL                 | LD     | 1       |
| 503 88 94-01 | TUBE                  |        | 1       |
| 503 88 95-01 | TUBE                  |        | 1       |
| 537 02 76-02 | LABEL                 |        | 1       |
| 731 23 14-01 | HEXAGON NUT           |        | 1       |

**T** \*compl 502 18 95-01





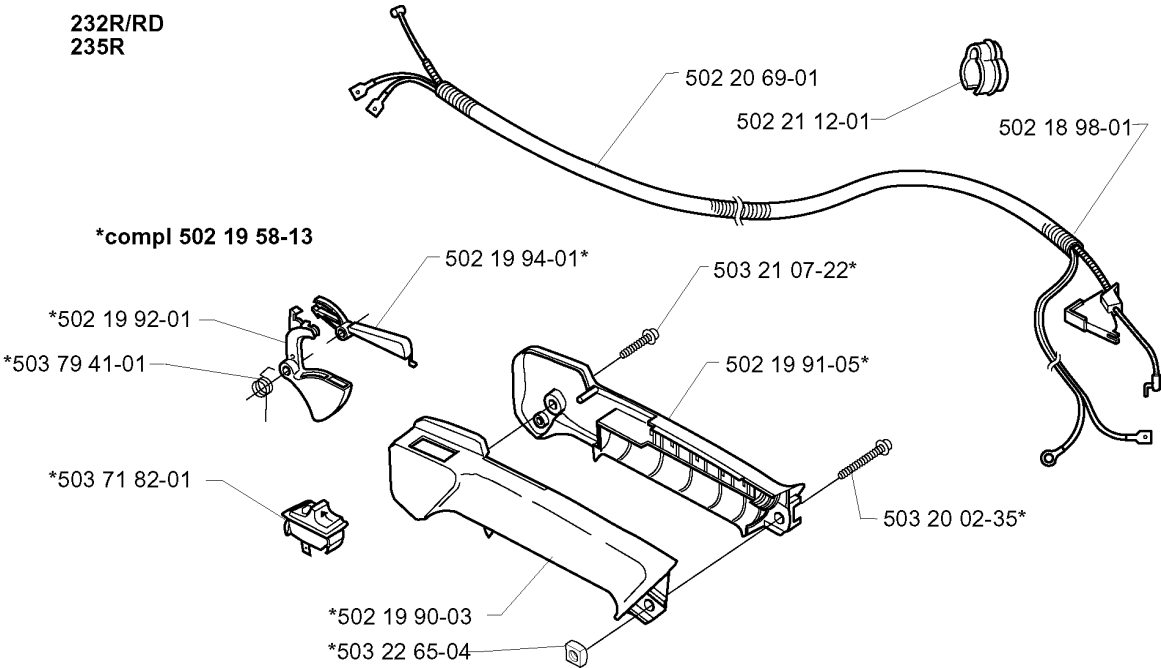
## STARTER

240 RJ, 2000-04

| Part No      | Description          | Remark | QTY KIT |
|--------------|----------------------|--------|---------|
| 502 18 95-01 | STARTER              |        | 1       |
| 502 18 95-03 | STARTER              |        | 1       |
| 502 20 06-01 | SPRING CASSETTE ASSY |        | 1       |
| 502 21 25-25 | LABEL                | 232 R  | 1       |
| 502 21 25-26 | LABEL                | 232 L  | 1       |
| 502 21 25-28 | LABEL                | 235 R  | 1       |
| 502 21 25-31 | LABEL                | 232 RD | 1       |
| 502 21 25-33 | LABEL                | 240 L  | 1       |
| 502 21 25-40 | LABEL                | 232 RJ | 1       |
| 502 21 25-41 | LABEL                | 240 RJ | 1       |
| 503 21 06-25 | SCREW IHSCFT         |        | 1       |
| 503 21 29-06 | SCREW CCRPANT        |        | 1       |
| 503 21 77-16 | SCREW IHSCFT         |        | 1       |
| 503 77 53-01 | STARTER PULLEY       |        | 1       |
| 505 30 51-25 | STARTER CORD         |        | 1       |
| 537 00 84-01 | STARTER HANDLE       |        | 1       |

**F**

232R/RD  
235R



## THROTTLE CONTROLS

240 RJ, 2000-04

| Part No      | Description       | Remark | QTY KIT |
|--------------|-------------------|--------|---------|
| 502 18 98-01 | THROTTLE WIRE     |        | 1       |
| 502 19 58-13 | HANDLE            |        | 1       |
| 502 19 90-03 | HANDLE HALF LEFT  |        | 1       |
| 502 19 91-05 | HANDLE HALF RIGHT |        | 1       |
| 502 19 92-01 | THROTTLE TRIGGER  |        | 1       |
| 502 19 94-01 | THROTTLE LOCKOUT  |        | 1       |
| 502 20 69-01 | WIRING            |        | 1       |
| 502 21 12-01 | STAPLE            |        | 1       |
| 503 20 02-35 | SCREW IHSCFM      |        | 1       |
| 503 21 07-22 | SCREW IHSCFT      |        | 1       |
| 503 22 65-04 | SQUARE NUT        |        | 1       |
| 503 71 82-01 | SWITCH            |        | 1       |
| 503 79 41-01 | RECOIL SPRING     |        | 1       |