

YTH150

Spare parts

Ersatzteile

Pièces détachées

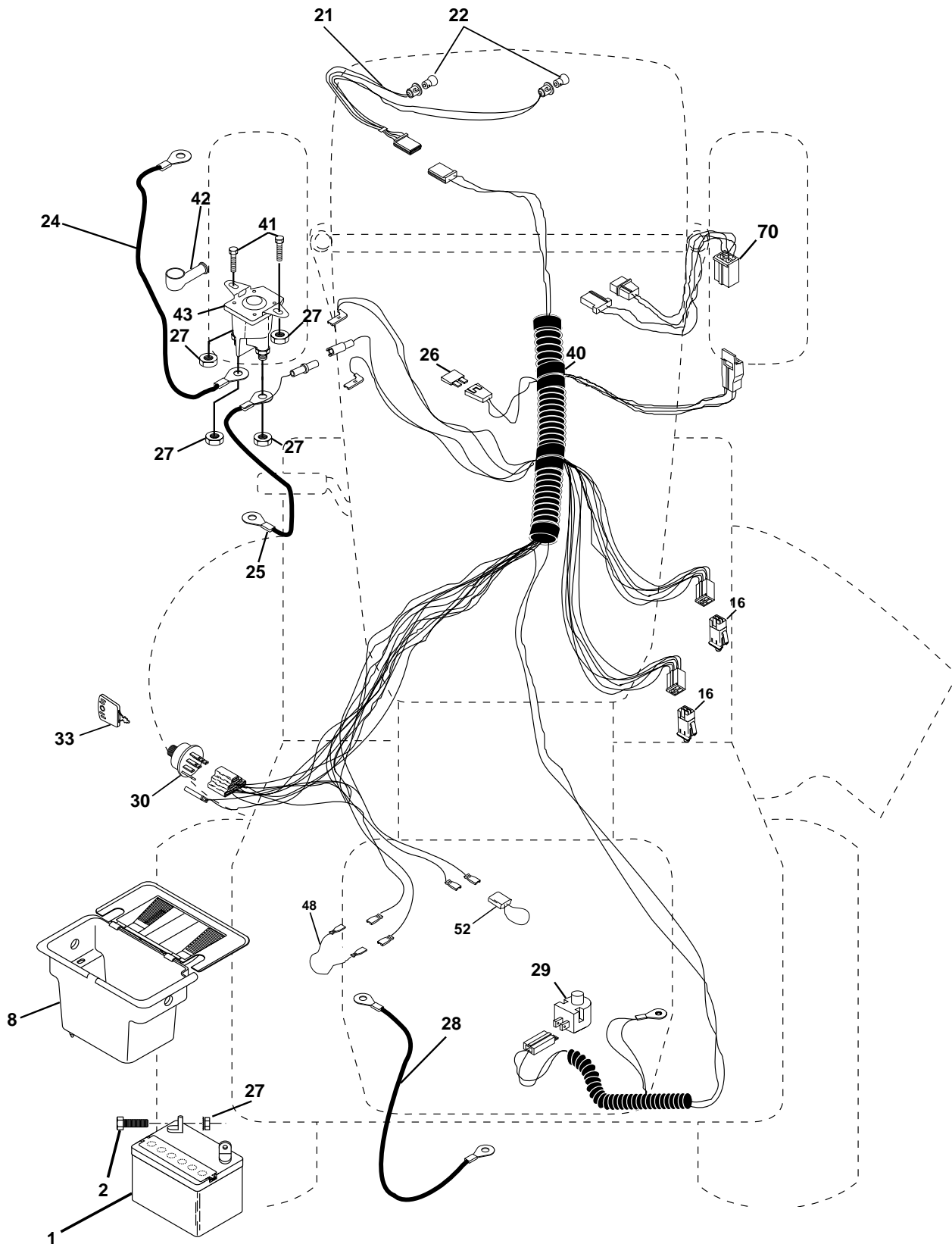
Reserve onderdelen

Repuestos

Reservdelar

REPAIR PARTS

TRACTOR - - MODEL NO. YTH150 (HFYTH155D) PRODUCT NO. 954 17 00-24
ELECTRICAL



REPAIR PARTS

TRACTOR - - MODEL NO. YTH150 (HFYTH155D) PRODUCT NO. 954 17 00-24
ELECTRICAL

KEY NO.	PART NO.	DESCRIPTION
1	532144925	Battery 12 Volt 25 AMP
2	874760412	Bolt Hex Hd 1/4-20unc X 3/4
8	532156417	Case Battery w/2 Holes
16	532153664	Switch Interlock Push-In
21	532166181	Harness Asm Light W/4152j
22	532004152	Bulb Light #1156
24	532124780	Cable Battery 6 Ga 11" red
25	532146147	Cable Battery 6 Ga 44" red w/16 wire
26	532166180	Fuse 15AMP
27	873510400	Nut Keps Hex 1/4-20 Unc
28	532124773	Cable Ground 6 Ga 12" black
29	532121305	Switch Plunger Nc Gray
30	532163968	Switch Ign
33	532140401	Key Ign Molded Generic
40	532170217	Harness Ign
41	871110408	Bolt Blk Fin Hex 1/4 - 20 x 1/2
42	532131563	Cover Terminal Red
43	532145673	Solenoid
48	532140844	Adapter Ammeter Rectangular
52	532141940	Protection Wire Loop
70	532170243	Harness, Engine

NOTE: All component dimensions given in U.S. inches.
1 inch = 25.4 mm.

REPAIR PARTS

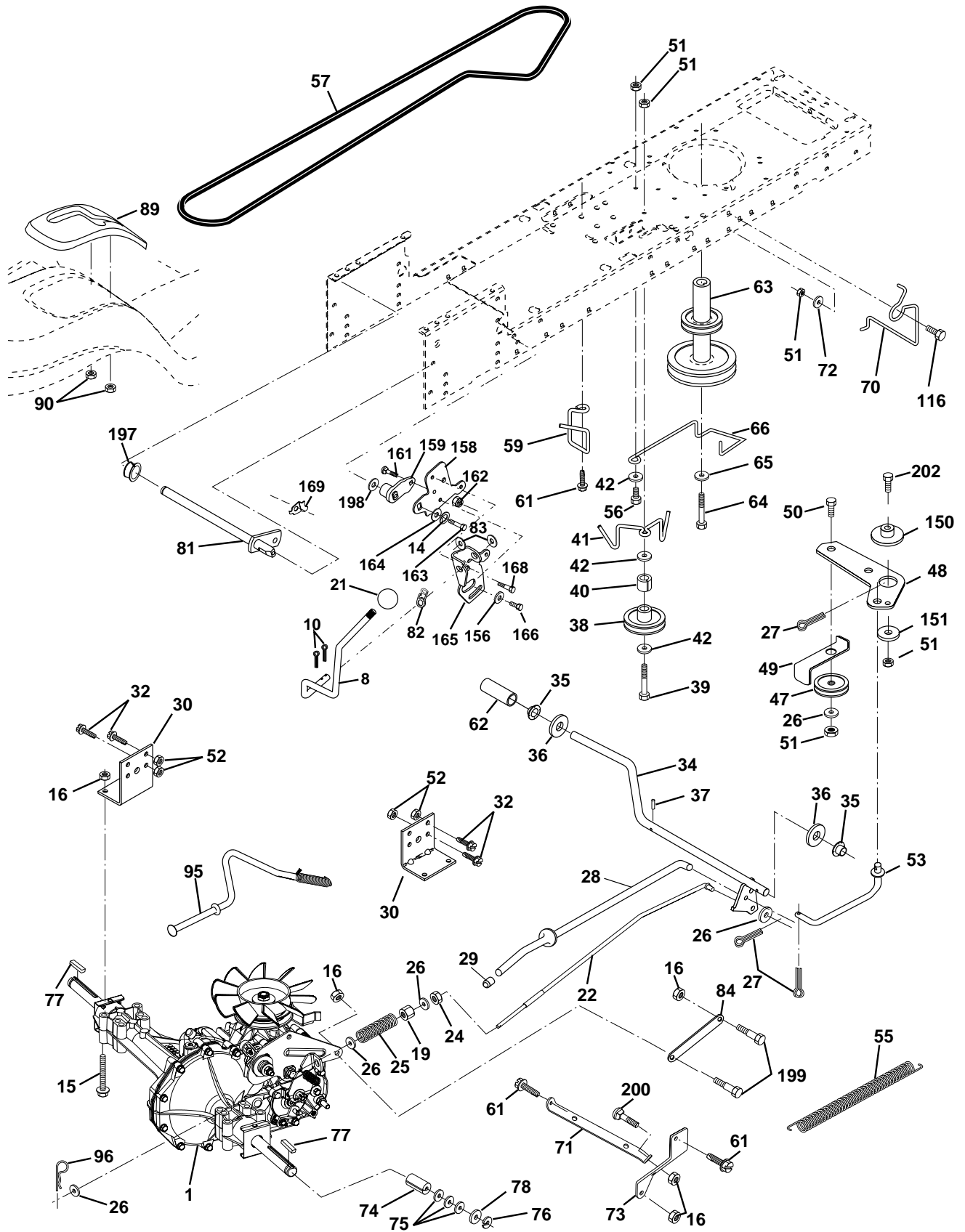
TRACTOR - - MODEL NO. YTH150 (HFYTH155D) PRODUCT NO. 954 17 00-24
CHASSIS AND ENCLOSURES

KEY NO.	PART NO.	DESCRIPTION
1	532169830	Chassis Weldment
2	532169061	Drawbar
3	817060612	Screw 3/8-16x3/4
5	532155272	Bumper Hood/Dash
9	532171853	Dash P/L
10	872140608	Bolt Carriage 3/8-16 x 1
11	532155927	Panel Dash Lh
13	532169118	Panel Dash Rh
14	817490608	Screw Thdrol 3/8-16x1/2 Ty-tt
17	532165378	Hood LT/PL Husqvarna
18	532126938	Bumper Hood
20	532156437	Plate Mtg Battery Fuel Tank Fr
23	532124028	Bushing
25	819131312	Washer 13/32 X 13/16 X 12 Ga
26	873800600	Nut Lock Hex W/Ins 3/8-16 Unc
28	532165379	Grille LT/PL Husqvarna
29	532165380	Lens LT/PL Husqvarna
30	532171854	Fender Footrest STLT Pnt
31	532139976	Bracket Support Fender
37	817490508	Screw Thdrol 6/16-18 x 1/2 TYT
38	532169834	Bracket, Asm. Pivot, Mower Rear
51	873800400	Nut Lock Hex W/Ins 1/4-20
52	819091416	Washer 9/32 x 7/8 x 16 Ga.
53	532150067	Bracket Pnt. Pick off LT/PL Husqvarna
57	874780412	Bolt Hex 1/4-20 x 3/4
58	532150127	Air Duct Engine P/L
60	872140606	Bolt Rdhd Sqnk 3/8-16unc x 3/4
64	532154798	Dash Lower STLT
68	873510400	Nut Keps Hex 1/4-20 unc
71	873680400	Nut Crownlock 1/4-20 UNC
74	873680600	Nut Crownlock 3/8-16 UNC
129	819091016	Washer 9/32 x 5/8 x 16 Ga.
134	532160219	Rod Support Hood LT/PL Husq.
142	532165867	Plate Reinforcement STLT
143	532154966	Bracket Swaybar Chassis
144	532154207	Bracket Pnt Footrest STLT
145	532156524	Rod Pivot Chassis/Hood
206	532170165	Bolt Shoulder 5/16-18 TT
207	817670508	Screw Thdrol 5/16-18 x 1/2
208	817670608	Screw Thdrol 3/8-16 x 1/2
--	532005479	Plug Button

NOTE: All component dimensions given in U.S. inches.
1 inch = 25.4 mm

REPAIR PARTS

TRACTOR - - MODEL NO. YTH150 (HFYTH155D) PRODUCT NO. 954 17 00-24
DRIVE



REPAIR PARTS

TRACTOR - - MODEL NO. YTH150 (HFYTH155D) PRODUCT NO. 954 17 00-24

DRIVE

Correction:

KEY PART

NO. NO.

70 532134683

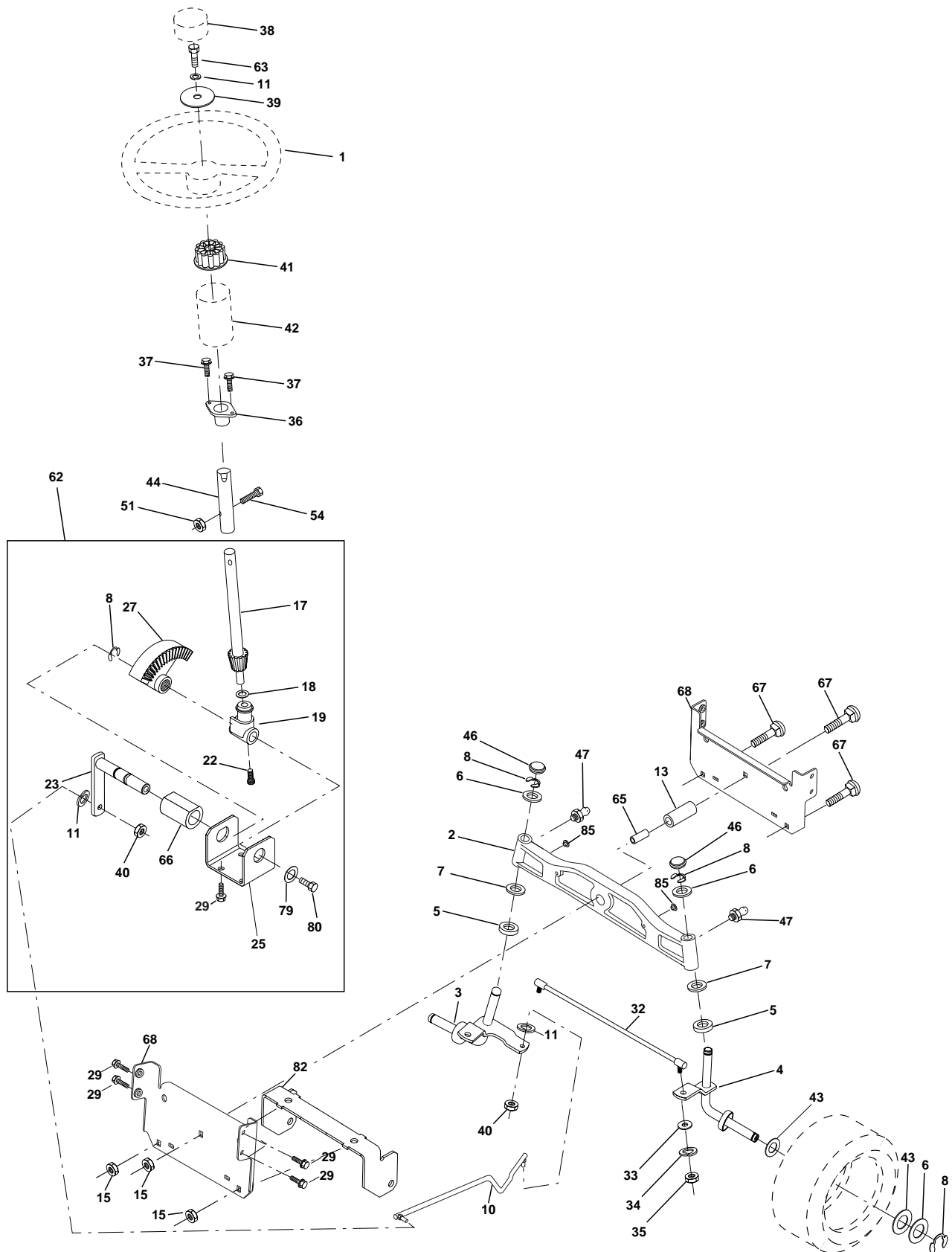
KEY NO.	PART NO.	DESCRIPTION	KEY NO.	PART NO.	DESCRIPTION
1	-----	Transaxle Hydro Gear 314-0510 Order parts from transaxle manufacturer	64	871170764	Bolt, Hex 7/16-20 x 4 Gr. 5
8	532165866	Rod Shift Fender	65	810040700	Washer
10	876020416	Pin Cotter 1/8 x 1 CAD	66	532154778	Keeper Belt Engine Hydro
14	810040400	Washer Lock Hvy Helical	70	532134863	Guide Belt Mower Drive RH
15	874490544	Bolt Hex Flghd 5/16-18 Gr. 5	71	532169183	Strap Torque Rh Hydro
16	873800500	Nut Lock Hex W/Ins.5/16-18 Unc P	72	819132012	Washer 13/32 x 1-1/4 x 12 Ga.
19	873800600	Nut Lock Hex W/Wsh 3/8-16 Unc	73	532169182	Strap Torque Rh Hydro
21	532121274	Knob Duckhead	74	532169496	Spacer, Axle
22	532169498	Rod, Brake Hydro	75	532121749	Washer 25/32 x 1-1/4 x 16 Ga.
24	873350600	Locknut	76	812000001	E-Ring
25	532106888	Spring, Brake Rod	77	532123583	Key, Square
26	819131316	Washer	78	532121748	Washer 25/32 x 1-5/8 x 16 Ga.
27	876020412	Pin Cotter 1/8 x 3/4 CAD.	81	532165596	Shaft Asm Cross Tapered
28	532145204	Rod, Parking Brake	82	532165711	Spring Torsion T/A
29	532071673	Cap, Parking Brake	83	819171216	Washer 17/32 x 3/4 x 16 Ga.
30	532169592	Bracket, Transaxle	84	532169594	Link Transaxle
32	874760512	Bolt Hex Hd 5/16-18 Unc x 3/4	89	532166510	Console, Shift
34	532155071	Shaft, Foot Pedal	90	532124346	Nut, Self Thd Wsh Hd 1/4 Zinc
35	532120183	Bearing, Nylon	95	532170201	Control Asm. Bypass Hydro
36	819211616	Washer	96	532124788	Retainer Spring 1" Zinc/Cad
37	532124963	Pin, Roll	116	872110610	Bolt Rdhd Sq Neck 3/8-16 x 1-1/4
38	532131494	Pulley, Idler, Flat	150	532165850	Bushing Bellcrank Grd Drive
39	872110622	Bolt	151	819133210	Washer 13/32 x 2 x 10 Ga.
40	532124965	Spacer Split	156	532166002	Washer Srrtd 5/16ID x 1.125
41	532165838	Keeper, Belt Idler Flat	158	532165589	Bracket Shift Mount
42	819131312	Washer 13/32 x 13/16 x 12 Gauge	159	532165494	Hub Tapered Flange Shift Lt
47	532127783	Pulley, Idler, V-Groove	161	872140406	Bolt Rdhd Sqnk 1/4-20 x 3/4 Gr.5
48	532154407	Bellcrank Grnd Clutch	162	873680400	Nut Crownlock 1/4-20 Unc
49	532123205	Retainer, Belt	163	874780416	Bolt Hex Fin 1/4-20 Unc x 1 Gr 5
50	874760624	Bolt	164	819091010	Washer 5/8 x .281 x 10 Ga
51	873680600	Nut	165	532165623	Bracket Pivot Lever
52	873680500	Nut Crown Lock 5/16-18	166	532166880	Screw 5/16-18 x 5/8
53	532105710	Link, Clutch	168	532165492	Bolt Shoulxder 5/16-18 x .561
55	532105709	Spring, Return, Clutch	169	532165580	Plate Fastening Lt
56	874760620	Bolt	197	532169613	Nyliner Snap-In 5/8" ID
57	531006042	V-Belt, Ground Drive	198	532169593	Washer Nyl 7/8 ID x .105" Hyd
59	532169691	Keeper, Center Span	199	532169612	Bolt Shoulder 5/16-18 Unc
61	817060612	Screw 3/8-16 x 3/4	200	872140508	Bolt Rhdh Sqnk 5/16-18 Unc x 1
62	532123533	Cover, Pedal	202	872110612	Bolt Carr Sh 3/8-16 x 1-1/2 Gr. 5
63	532140186	Pulley, Engine			

NOTE: All component dimensions given in U.S. inches
1 inch = 25.4 mm

REPAIR PARTS

TRACTOR - - MODEL NO. YTH150 (HFYTH155D) PRODUCT NO. 954 17 00-24

STEERING ASSEMBLY



REPAIR PARTS

TRACTOR - - MODEL NO. YTH150 (HFYTH155D) PRODUCT NO. 954 17 00-24
STEERING ASSEMBLY

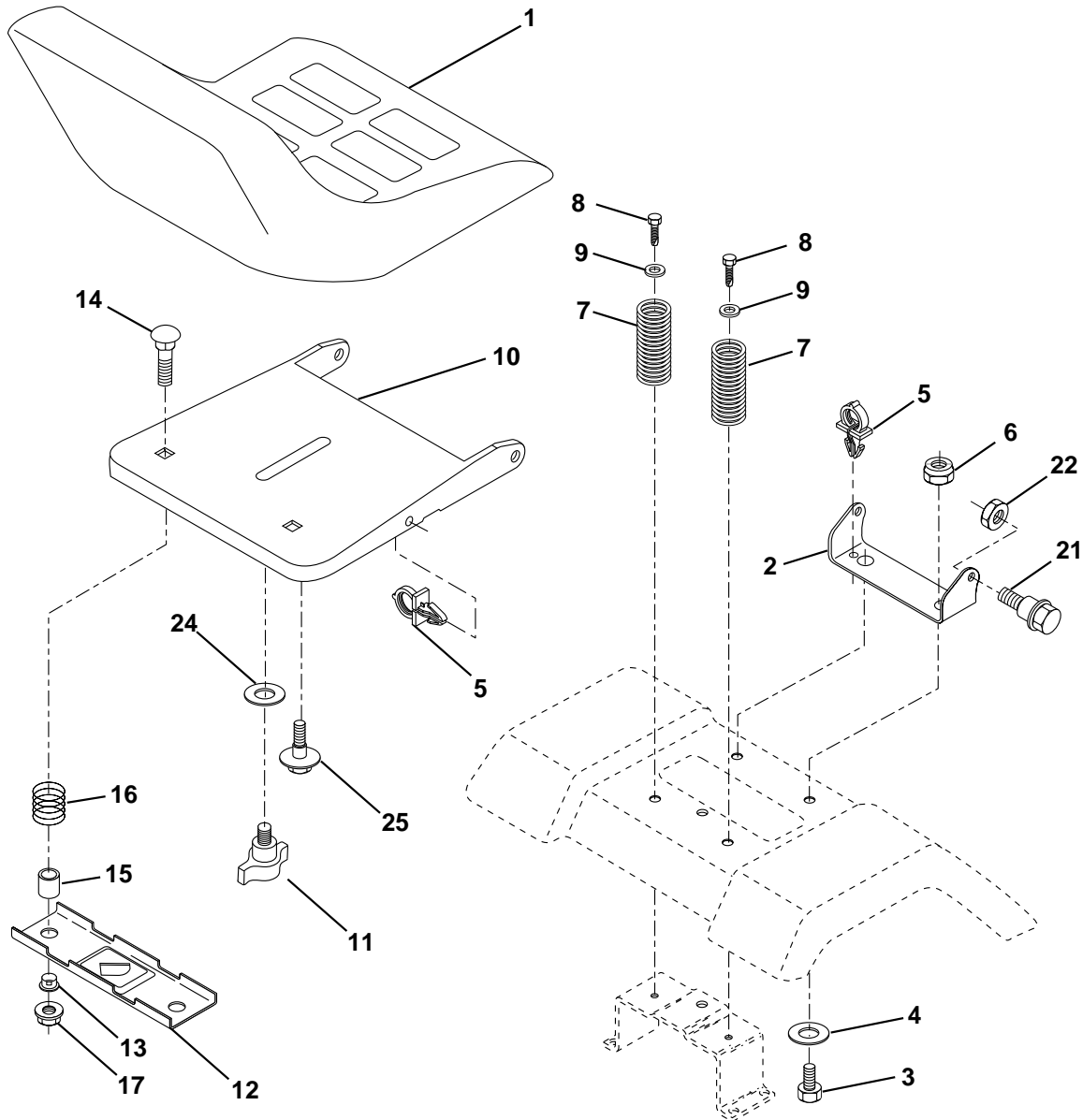
KEY NO.	PART NO.	DESCRIPTION
1	532166627	Wheel Steering
2	532165854	Axle Cast Lt Machined
3	532169840	Spindle Asm LH
4	532169839	Spindle Asm RH
5	532124931	Bearing Race Thrust Harden
6	532121748	Washer 25/32 X 1-5/8 X 16 Ga
7	819272016	Washer 27/32 X 1-1/4 X 16 Ga
8	812000029	Ring Klip #t5304-75
10	532169832	Link Drag
11	810040600	Washer Lock Hvy Hlcl Spr 3/8
13	532136518	Spacer Brg Axle Front
15	532145212	Nut Hex Flange Lock
17	532156546	Shaft Asm Strg
18	532057079	Washer Thrust 515x 750x 033
19	532160395	Support Shaft
22	532165857	Screw Hex WSH HD Torx
23	532165851	Shaft Asm Pittman
25	532154406	Bracket Steering
27	532136874	Gear Sector
29	817060612	Screw 3/8-16x3/4
32	532139929	Rod Tie BJ Solid
33	819111216	Washer 11/32 x 3/4 x 16 Ga.
34	810040500	Washer Lock Hvy Hlcl Spr 5/16
35	873680500	Nut Crownlock 5/16-18
36	532155099	Bushing Strg
37	532152927	Screw
38	532166626	Insert Cap Strg Wh
39	819132411	Washer 13/32 X 1-1/20 x 11 Ga
40	532124701	Lock nut
41	532159945	Adaptor Wheel Strg
42	532169634	Boot Steering Shaft
43	532121749	Washer 25/32 X 1 1/4 X 16 Ga
44	532153720	Extension Steering Shaft LR/LT
46	532121232	Cap Spindle Fr Top Blk
47	532124836	Fitting Grease
51	873800500	Nut Lock Hex w/Ins 5/16-18
54	874780520	Bolt Fin Hex 5/16-18 Unc x 1-1/4
62	532167902	Kit, Steering Assembly Svc
63	874780616	Bolt Fin Hex 3/8-16unc x 1 Gr. 5
65	532160367	Spacer Brace Axle
66	532154404	Bearing Arm Pittman
67	872110618	Bolt Rdhd Sqnk 3/8-16 x 2-1/4
68	532169827	Axle, Brace
79	819132012	Washer 13/32 x 1-1/4 x 12 Ga.
80	874950612	Bolt Hex Nylon 3/8-16 x 3/4
82	532169835	Bracket Susp Chassis Front
85	532133835	Fastener Christmas Tree

NOTE: All component dimensions given in U.S. inches.
1 inch = 25.4 mm.

REPAIR PARTS

TRACTOR - - MODEL NO. YTH150 (HFYTH155D) PRODUCT NO. 954 17 00-24

SEAT ASSEMBLY



KEY PART NO. NO.

DESCRIPTION

1	532140839	Seat V450 Blk/blk Std
2	532140551	Bracket Pivot Seat 8 720
3	871110616	Bolt Fin Hex 3/8-16unc X 1
4	819131610	Washer 13/32 X 1 X 10 Ga
5	532145006	Clip Push-In
6	873800600	Nut Lock 3/8-16 Unc
7	532124181	Spring Seat Cprsn 2 250 Blk Zi
8	817000616	Screw 3/8-16 X 1-1/2
9	819131614	Washer 13/32 X 1 X 14 Ga.
10	532155925	Pan Seat
11	532166369	Knob Seat
12	532121246	Bracket Mounting Switch

KEY PART NO. NO.

DESCRIPTION

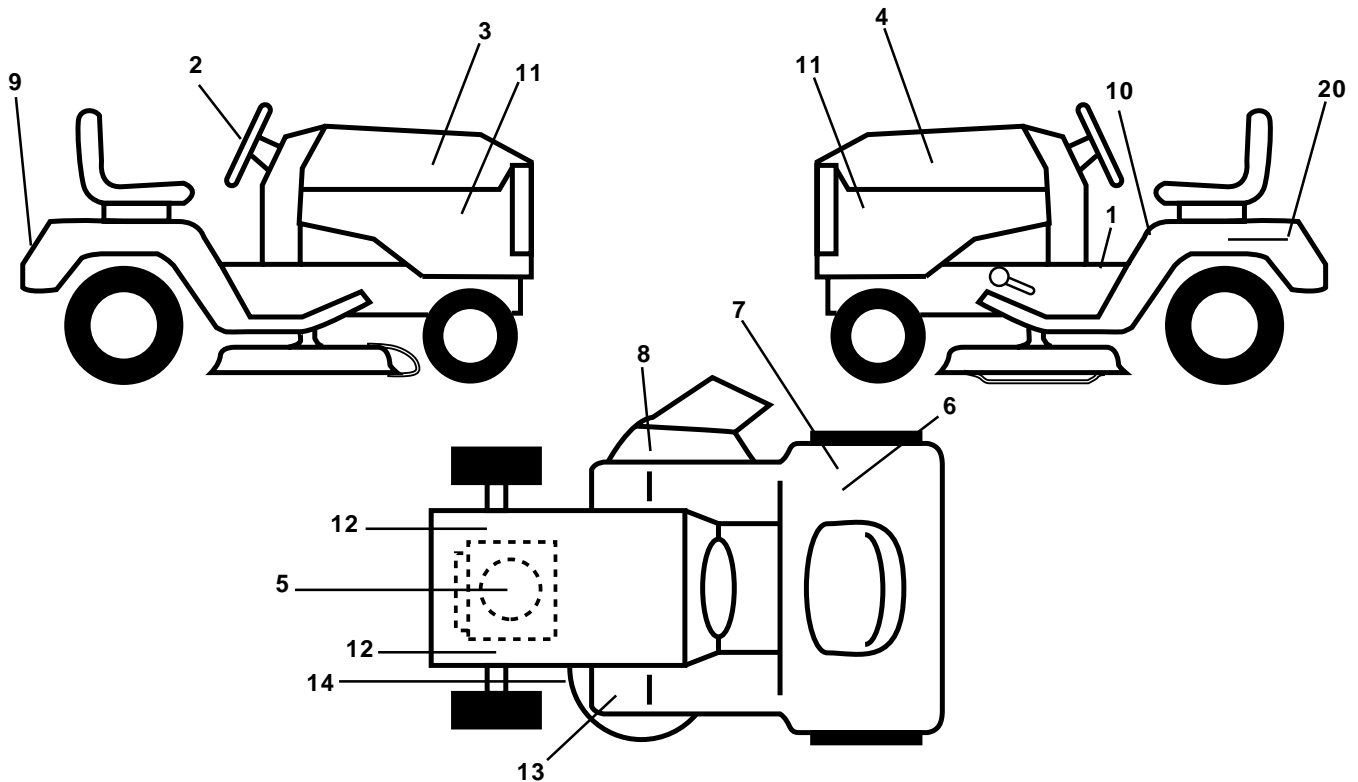
13	532121248	Bushing Snap Blk Nyl 50 Id
14	872050412	Bolt Rdhd Sht Nk 1/4-20x1-1/2
15	532134300	Spacer Split 28x 96 Yel Zinc
16	532121250	Spring Cprsn 1 27 Blk Pnt
17	532123976	Nut Lock 1/4 Lge Flg Gr 5 Zinc
21	532171852	Bolt Shoulder 5/16-18 Unc-2A
22	873800500	Nut Hex Lock W/Ins 5/16-18
24	819171912	Washer 17/32 X 1-3/16 X 12 Ga.
25	532127018	Bolt Shoulder 5/16-18 X 62

NOTE: All component dimensions given in U.S. inches.
1 inch = 25.4 mm

REPAIR PARTS

TRACTOR - - MODEL NO. YTH150 (HFYTH155D) PRODUCT NO. 954 17 00-24

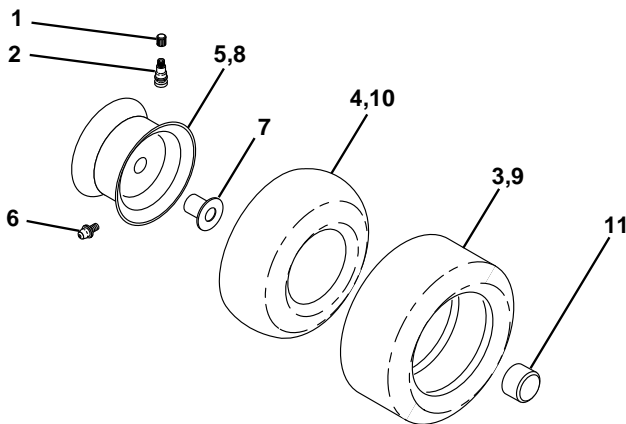
DECALS



KEY NO.	PART NO.	DESCRIPTION
1	532140837	Decal Saddle Parking
2	532170564	Decal Wheel Steering
3	532150729	Decal Hood RH
4	532150730	Decal Hood LH
5	532170855	Decal HP Engine
6	532126187	Decal 100 DBA
7	532145437	Decal Europe Stand CE
8	532145494	Decal Mower Cut/Finger
9	532150617	Decal Fender Husq
10	532145498	Decal Read Owner's Man Syms
11	532159713	Decal Panel Side B & S Logo
12	532159736	Decal Chassis Hot Muffler

KEY NO.	PART NO.	DESCRIPTION
13	532159737	Decal Brake/Clutch Symbol LT
14	532160396	Decal V-Belt Schematic
20	532145005	Decal Bat Dan/Psn
--	532169210	Decal By Pass Lt Hydro
--	532171284	Pad Footrest LH STLT
--	532171285	Pad Footrest RH STLT
--	532138311	Decal Handle Lft Height Adjust
--	532171878	Manual Operator's (Euro)
--	532171879	Manual Operator's (Scand)
--	532162598	Decal Drawbar Load Limit
Available accessories not included with tractor:		
--	MK420	Mulch Kit w/Blades
--	C42	Grass Catcher

WHEELS & TIRES

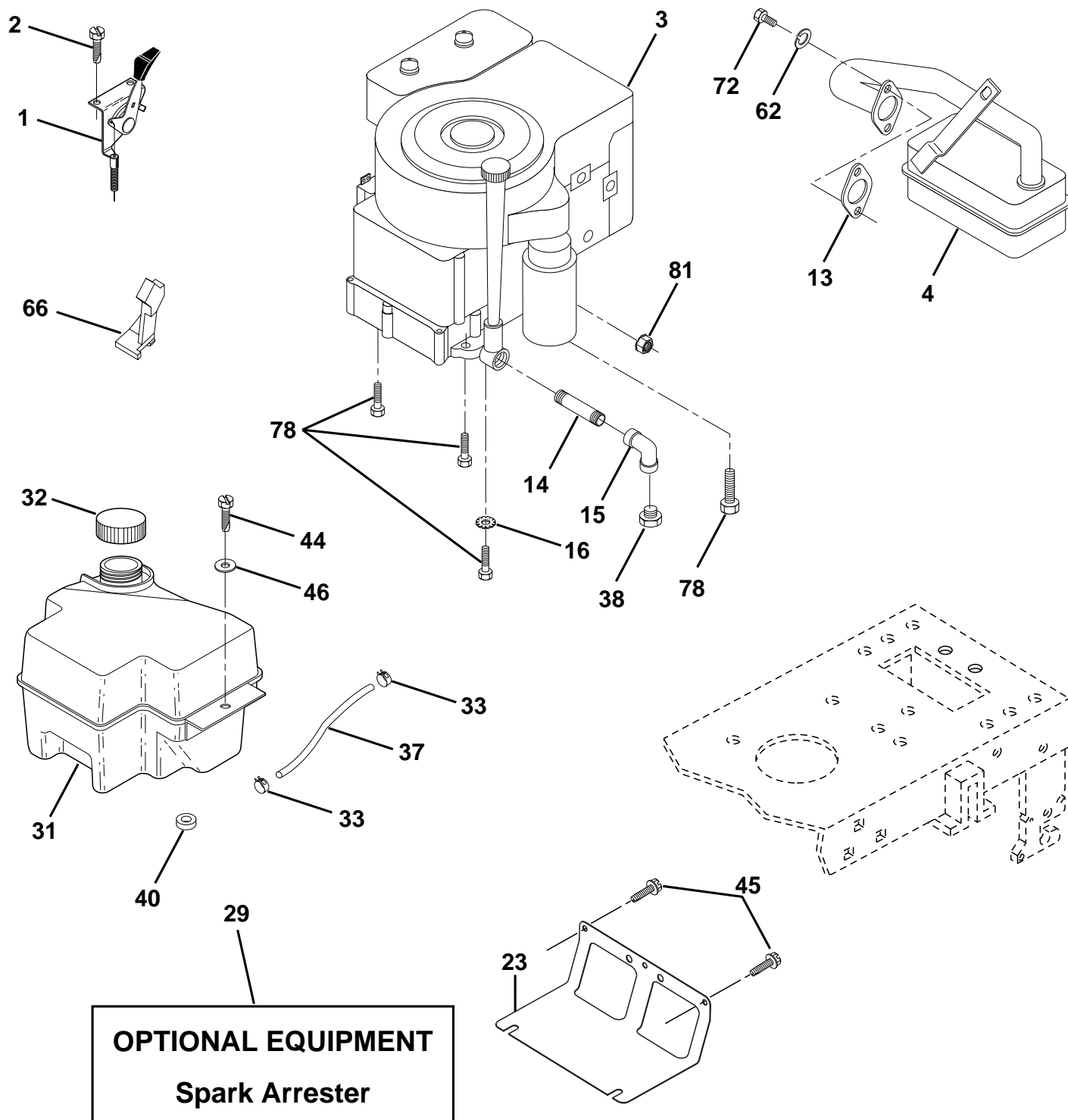


KEY NO.	PART NO.	DESCRIPTION
1	532059192	Cap Valve Tire
2	532065139	Stem Valve
3	532106222	Tire F Ts 15 X 60 - 6 Service
4	532059904	Tube Front (Service Item Only)
5	532138336	Rim Asm 6"front
6	532124957	Fitting Grease (Front Wheel Only)
7	532124959	Bearing Flange (Front Wheel Only)
8	532138337	Rim Asm 8"rear
9	532122082	Tire R Ts 20 x 10-8 C Service
10	532124926	Tube Rear (Service Item Only)
11	532104757	Cap Axle Blk 1 50 X 1 00
--	532144334	Sealant, Tire (10 oz. Tube)

NOTE: All component dimensions given in U.S. inches
1 inch = 25.4 mm

REPAIR PARTS

TRACTOR - - MODEL NO. YTH150 (HFYTH155D) PRODUCT NO. 954 17 00-24
ENGINE



REPAIR PARTS

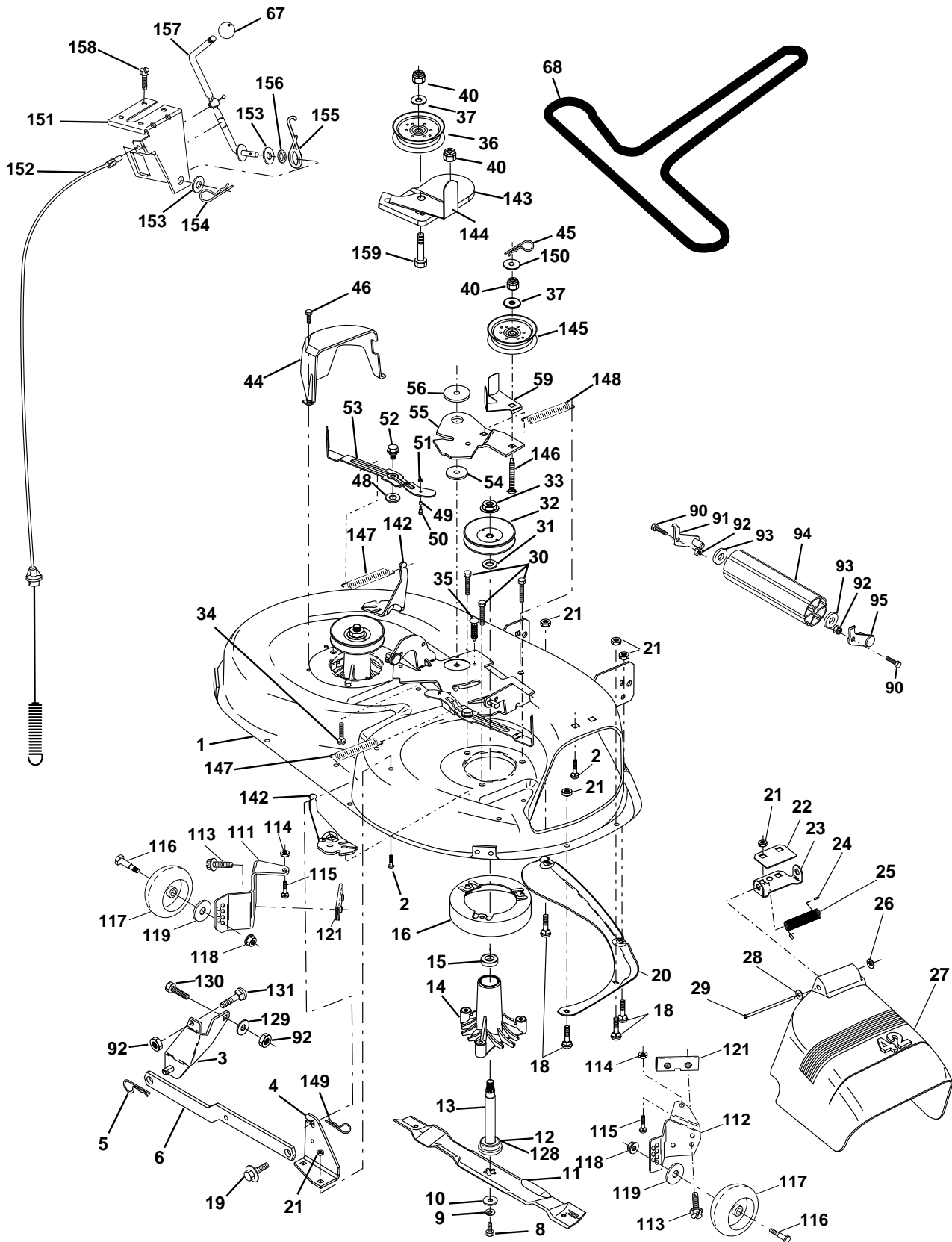
TRACTOR - - MODEL NO. YTH150 (HFYTH155D) PRODUCT NO. 954 17 00-24
ENGINE

KEY NO.	PART NO.	DESCRIPTION
1	532141359	Control Th/ch 20.22 LH Flag
2	817720410	Screw Hex Thd Cut 1/4-20x5/8 T
3	-----	Engine, Briggs Model 311777 (Order parts from engine manufacturer)
4	532137352	Muffler LT B&S 15 HP IC OHV
13	532165291	Gasket
14	813280324	Nipple Pipe 3/8 Npt X 3"
15	813200300	Elbow Std 90 Degree 3/8-18 Npt
16	811050600	Washer Lock Ext Tooth 3/8
23	532169837	Shield Browning/Debris Guard
29	532137180	Kit Spark Arrestor (Flat Scrn)
31	532161911	Tank Fuel Front 2 00
32	532140527	Cap Asm Fuel W/sym Vented
33	532123487	Clamp Hose Black
37	532137040	Line Fuel 20"
38	-----	Plug Oil Drain (Order From Engine Manufacturer)
40	532124028	Bushing Snap Nyl Blk Fuel Line
44	817490412	Screw Hexwsh Thdrol 1/4-20x3/4
45	817060612	Screw 3/8-16 x 1/2
46	819091416	Washer 9/32 X 7/8 X 16 Ga
62	810040500	Washer Lock Hvy Hlcl Spr 5/16
66	532127951	Stop Throttle
72	871070512	Screw Hexhd Cap 5/16-18x 3/4
78	817060620	Screw 3/8-16x1-1/4
81	532128861	Nut Flange 1/4-20 Starter Nut

NOTE: All component dimensions given in U.S. inches
1 inch = 25.4 mm

REPAIR PARTS

TRACTOR - - MODEL NO. YTH150 (HFYTH155D) PRODUCT NO. 954 17 00-24
MOWER DECK



REPAIR PARTS

TRACTOR - - MODEL NO. YTH150 (HFYTH155D) PRODUCT NO. 954 17 00-24

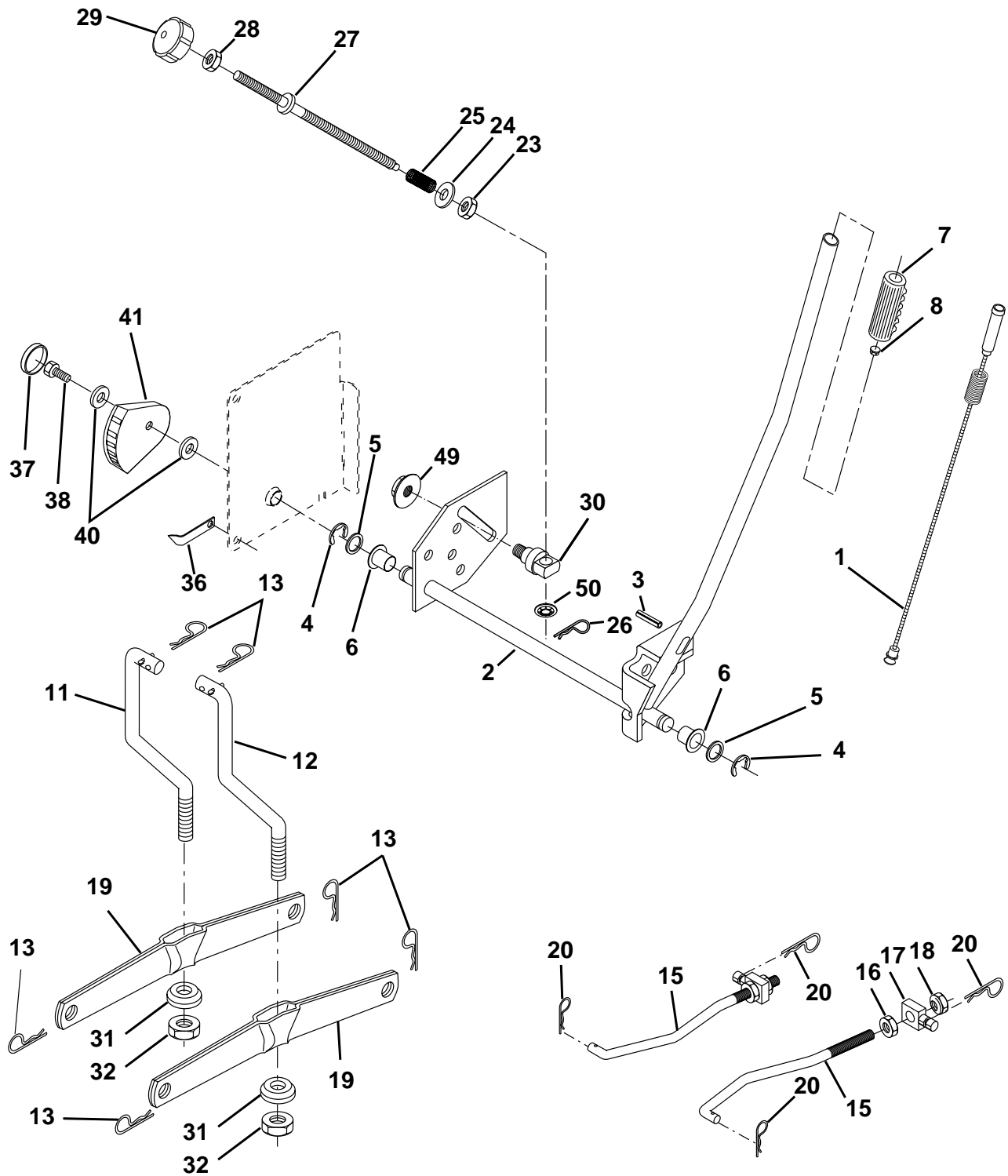
MOWER DECK

KEY NO.	PART NO.	DESCRIPTION	KEY NO.	PART NO.	DESCRIPTION
1	532165892	Deck Asm MWR 42" weldment	68	531007562	V-Belt Mower 42"
2	872140506	Bolt Rdhd Sqnc 5/16-18unc X3/4	90	874760616	Bolt Fin Hex 3/8-16 UNC x 1
3	532138017	Bracket Asm Fr Sway Bar 38/42	91	532132274	Bracket Asm Noseroller LH
4	532165460	Bracket Asm Deck 42" sway Bar	92	873800600	Nut Lock Hex W/Ins 3/8-16 Unc
5	532124670	Retainer Spring	93	819171416	Washer 17/32 x 7/8 x 16 Ga.
6	532130832	Arm Suspension Rear	94	532132264	Roller Nose 38 & 42
8	532850857	Bolt 3/8 - 24 X 1.25 Gr 8	95	532132273	Bracket Asm Noseroller RH
9	810030600	Washer Lock Hvy 3/8	111	532155197	Bracket Wheel Gauge LH 42" Deck
10	532140296	Washer Hard Blade Mower Vented	112	532155198	Bracket Gauge Wheel RH 42" Deck
11	531005085	Blade Mower	113	817060512	Screw 5/16-18 x 3/4
12	532129895	Bearing Ball #6024 (Mandrel)	114	873510500	Nut Keps 5/16-18 UNC
13	532137645	Shaft Asm W/lower Bearing	115	872110504	Bolt Carriage 5/16-UNC x 1/2
14	532128774	Housing Mandrel Vented	116	532124842	Bolt Shoulder
15	532110485	Bearing Ball Mandrel	117	532165746	Wheel Gauge Blk
16	532140329	Stripper Mower Vented	118	873930600	Nut Centerlock 3/8-16 UNC
18	872140505	Bolt Rdhd Sqnc 5/16-18 X 5/8	119	819121414	Washer 3/8 x 7/8 x 14 Ga.
19	532132827	Bolt Shoulder	121	532143723	Bracket Extruded Gauge Wheel
20	532159770	Baffle Vortex 42	128	532153390	Washer Felt
21	873680500	Nut Crownlock 5/16-18 UNC	129	819131312	Washer 13/32 x 13/16 x 12 Ga.
22	532134753	Stiffener Bracket 42" deck	130	874780616	Bolt Fin Hex 3/8-16 UNC x 1 Gr. 5
23	532131267	Bracket Deflector Mower 42"	131	872140608	Bolt Rdhd Sqnc 3/8-16 x 1
24	532105304	Cap Sleeve 80x 112 Blk Mower	142	532165890	Arm Spring Brake Mower
25	532123713	Spring Torsion Deflector 2 52	143	532157109	Bracket Arm Idler 42"
26	532110452	Nut Push Phos & Oil	144	532158634	Keeper Belt 42" Clutch Cable
27	532171859	Shield Deflector Mower 42" Blk	145	532165888	Pulley Idler Flat
28	819111016	Washer 11/32 X 5/8 X 16 Ga	146	532165891	Bolt Carriage Idler
29	532131491	Rod Hinge 42" 6 75 Wlg	147	532131335	Spring Extension
30	532157722	Screw Thdrol Washer Head	148	532169022	Spring Return Idler
31	532129963	Washer Spacer Mower Vented	149	532169898	Retainer Spring Yellow
32	532153535	Pulley Mandrel 42/44/50	150	819091216	Washer 9/32 x 3/4 x 16 Ga.
33	532137266	Nut 9/16 Toplock Flng Oil Dip	151	532169670	Bracket Clutch Cable
34	872110614	Bolt Rdhd 3/8-16uncx1-3/4 Gr5	152	532169676	Clutch Cable 42"
35	532133835	Fastner Christmas Tree	153	532169674	Washer Flat 3/8" Type B
36	532131494	Pulley Idler Flat 3 060	154	532169675	Spring Retainer
37	819131316	Washer 13/32 X 13/16 X 16	155	532169671	Spring Retention Lvr Clutch Cable
40	873680600	Nut Crownlock 3/8-16 UNC	156	532169672	Spacer Clutch Cable
44	532140088	Guard Mandrel LH Black	157	532169669	Rod Clutch Cable
45	532124788	Spring Retainer 1" Zinc/cad	158	817720410	Screw Hex Thd Cut 1/4-20 x 5/8
46	532137729	Screw Hex Thd Cut 1/4-20x5/8 T	159	872140614	Bolt Rdhd Sqn 3/8-16 Unc x 1-3/4
48	532133944	Washer Hardened Smaller	--	532130794	Mandrel Asm Service (Includes Key Nos. 8-10, 12-15, 31 and 33)
49	532155066	Roller Asm Cam Follower 42" dec	--	532171491	Deck Serv 42" mch S Bar Mult-Lang (Standard Deck - Order noseroller, mulch cover and gauge wheel components separately Key Nos. 90-95, 101-106 and 111-120)
50	532131340	Bolt Shldr 10-24 Zinc Gr 5 42"			
51	532069180	Nut Lock #10-24 Unc			
52	532139888	Bolt Shoulder 5/16-18 Unc Blkz			
53	532131845	Arm Asm Pad Brake			
54	532133943	Washer Hardened			
55	532155046	Arm Idler 42" mower LT/YT			
56	532165723	Spacer Retainer Mower			
59	532141043	Guard TUV Idler			
67	532106932	Knob Rd 3/8-16 Plstc Thd Blk			

NOTE: All component dimensions given in U.S. inches
1 inch = 25.4 mm

REPAIR PARTS

TRACTOR - - MODEL NO. YTH150 (HFYTH155D) PRODUCT NO. 954 17 00-24
MOWER LIFT



REPAIR PARTS

TRACTOR - - MODEL NO. YTH150 (HFYTH155D) PRODUCT NO. 954 17 00-24
MOWER LIFT

KEY NO.	PART NO.	DESCRIPTION
1	532159460	Wire Asm Inner W/plunger 17 32
2	532159471	Shaft Asm Lift LH Inf Hgt P/L
3	532105767	Pin Groove 1 500 Zinc
4	812000002	E Ring #5133-62
5	819211621	Washer 21/32 X 1 X 21 Ga
6	532120183	Bearing Nylon Blk 629 Id
7	532125631	Grip Handle
8	532124526	Button Plunger Black
11	532139865	Link Lift LH
12	532139866	Link Lift RH
13	532124670	Retainer Spring
15	532167253	Link Front
16	873350800	Nut Jam Hex 1/2-13 Unc
17	532130171	Trunnion Blk Zinc
18	873800800	Nut Lock W/wsh 1/2-13unc
19	532139868	Arm Suspension Rear
20	532163552	Retainer Spring
23	532110807	Nut Special
24	819131016	Washer 13/32 X 5/8 X 16 Ga
25	532124874	Spring 2-1/8"
26	532169484	Retainer Clip
27	532126971	Rod Adj Lift Zinc 7 49 Wrk Lg
28	873350600	Nut Hex Jam 3/8-16 Unc
29	532138057	Knob Inf 3/8-16 Unc Blk W/sym
30	532150233	Trunnion Inf Height
31	532140302	Bearing pvt. Lift Spherical
32	873540600	Nut Crownlock 3/8-24
36	532155097	Pointer pnt Height Ind.
37	532123935	Plug hole Blk 1.485/1.515 Dia
38	817060516	Screw 5/16-18 x 1
40	819112410	Washer 11/32 x 1-1/2 10 Ga
41	532155098	Indicator Height
49	532145212	Nut Hex Flange Lock
50	532110452	Push Nut

NOTE: All component dimensions given in U.S. inches
1 inch = 25.4 mm