

YTH 180

Spare parts

Ersatzteile

Pièces détachées

Reserve onderdelen

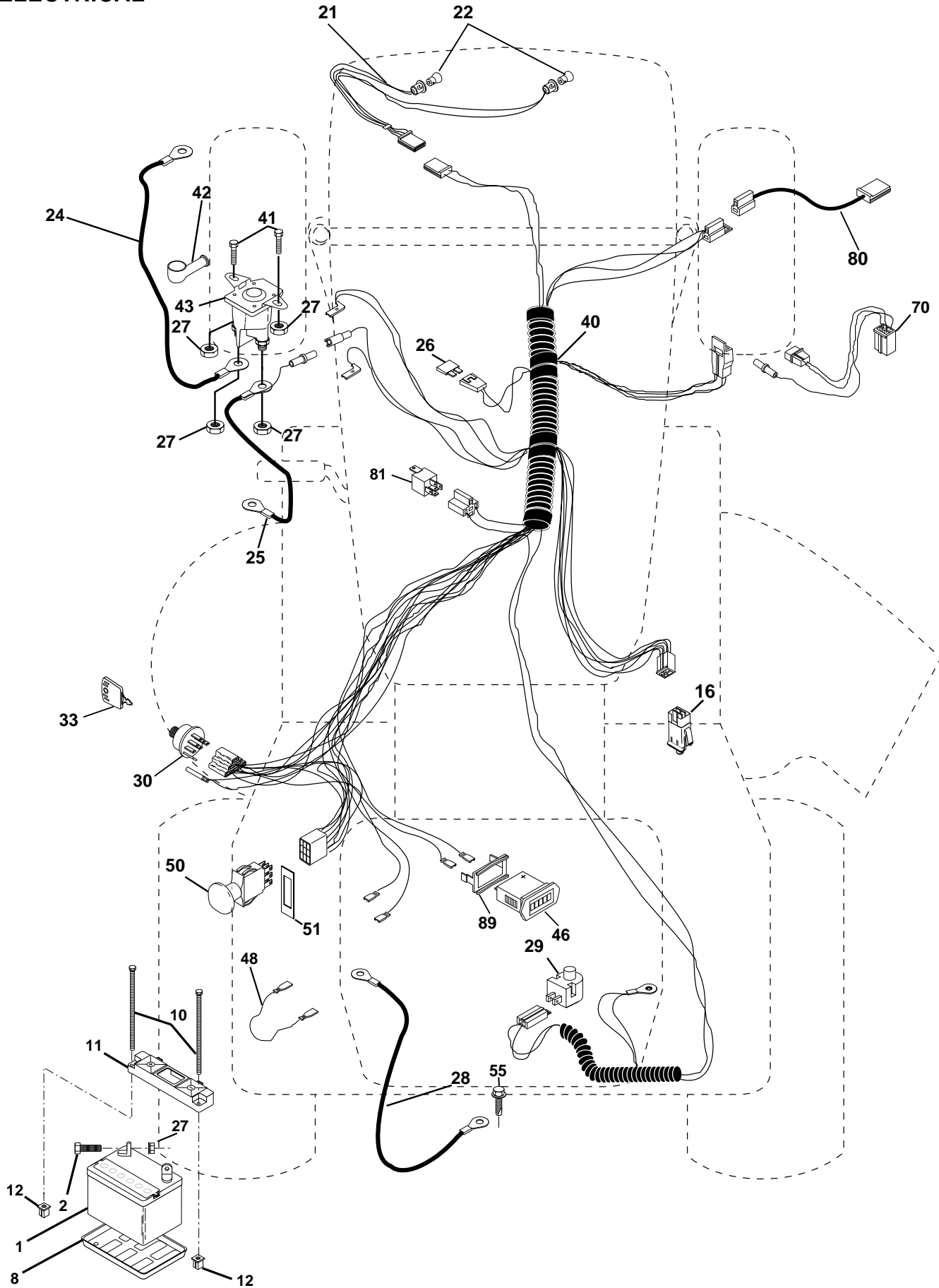
Repuestos

Reservdelar

REPAIR PARTS

TRACTOR - MODEL NO. YTH180 (HEYTH180C), PRODUCT NO. 954 17 00-23

ELECTRICAL



REPAIR PARTS

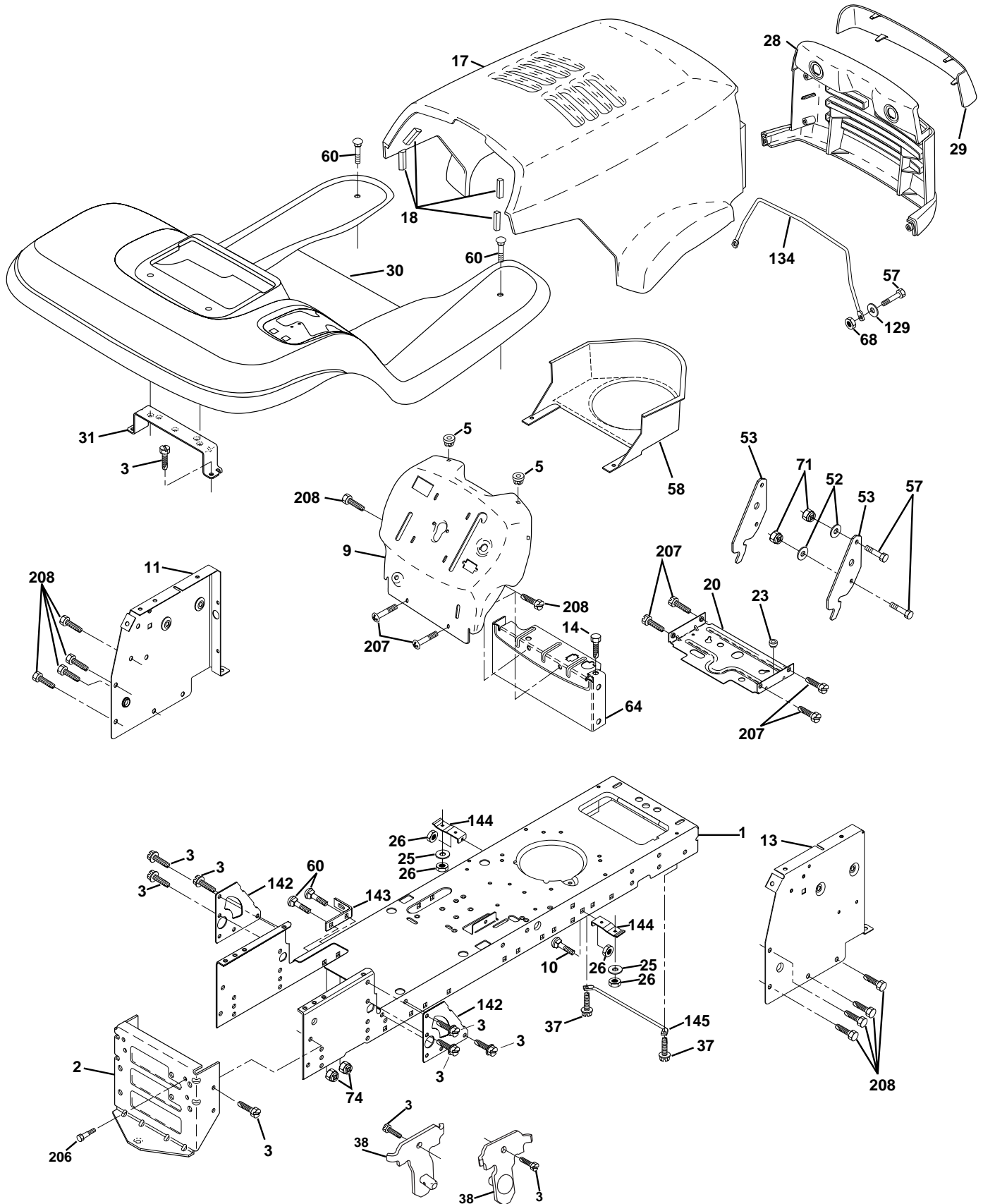
TRACTOR - MODEL NO. YTH180 (HEYTH180C), PRODUCT NO. 954 17 00-23
ELECTRICAL

KEY NO.	PART NO.	DESCRIPTION
1	532163465	Battery 12 VOLT 28 AMP
2	874760412	Bolt Hex Hd 1/4-20unc X 3/4
8	532124886	Tray Battery 7.80 x 5.25 Blk
10	532145211	Bolt Btr Frt 1/4-20 x 7.5 Zinc
11	532150109	Holddown Battery Front Mount
12	532145769	Nut Push Nylon 1/4" Battery Frt
16	532153664	Switch Interlock Push-In
20	873350400	Nut Jam Hex 1/4-20 Unc
21	532166181	Harness Asm Light W/4152J
22	532004152	Bulb Light #1156
24	532124780	Cable Battery 6 Ga 11"red
25	532146148	Cable Battery 6 Ga W/16 Ga Wire 22"
26	532166180	Fuse 15 AMP
27	873510400	Nut Keps hex 1/4-20 Unc
28	532145491	Cable Ground 6 Ga 21" Black
29	532160784	Switch Plunger Normal Op Olive
30	532163968	Switch Ignition
33	532140401	Key Ign Molded Generic
40	532170221	Harness Ign.
41	871110408	Bolt Hex Hd. Fin 1/4-20 x 1/2 Gr. 5
42	532131563	Cover Terminal Red
43	532145673	Solenoid
46	532169635	Hourmeter Snap-In
48	532140844	Adapter Ammeter Rectangular
50	532169417	Switch PTO 3 PDT Black
51	532140405	Ring Retainer PTO
55	817490508	Screw Thdrol 5/16-18 x 1/2
70	532170247	Harness Engine
80	532146685	Harness Clutch Evx
81	532109748	Relay Asm.
89	532169639	Bracket Snap-In Hourmeter

NOTE: All component dimensions given in U.S. inches
1 inch = 25.4 mm.

REPAIR PARTS

TRACTOR - MODEL NO. YTH180 (HEYTH180C), PRODUCT NO. 954 17 00-23
ENCLOSURES



REPAIR PARTS

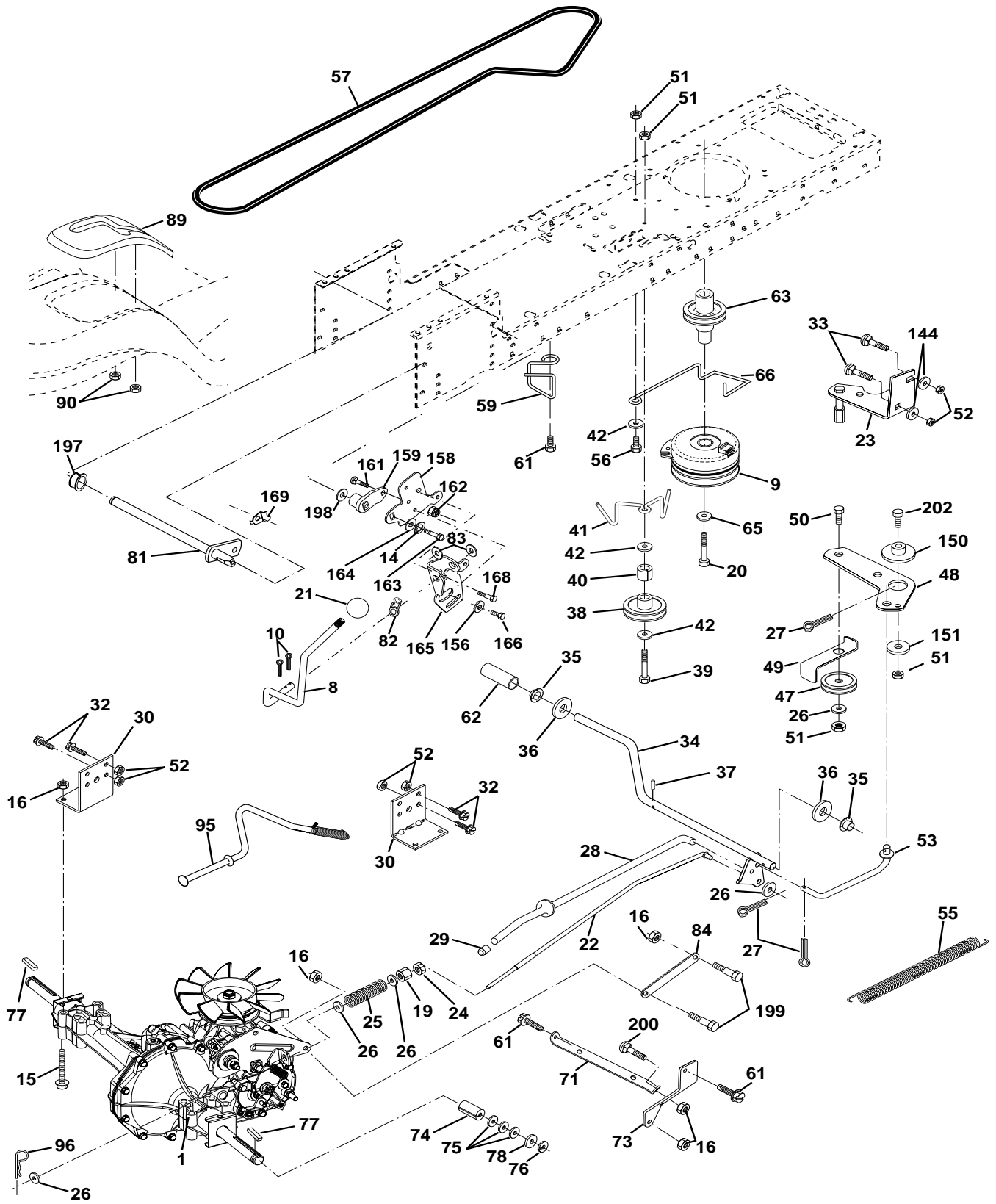
TRACTOR - MODEL NO. YTH180 (HEYTH180C), PRODUCT NO. 954 17 00-23
ENCLOSURES

KEY NO.	PART NO.	DESCRIPTION
1	532169830	Chassis Stl Stamping
2	532169061	Drawbar
3	817060612	Screw 3/8-16x3/4
5	532155272	Bumper Hood/Dash
9	532171924	Dash P/L
10	872140608	Bolt Carriage 3/8-16 x 1
11	532155927	Panel Dash Lh
13	532169115	Panel Dash Rh
14	817490608	Screw Thdrol 3/8-16x1/2 Ty-tt
17	532165378	Hood LT/PL Husqvarna
18	532126938	Bumper Hood
20	532156437	Plate Mtg Battery Fuel Tank Fr
23	532124028	Bushing
25	819131312	Washer 13/32 X 13/16 X 12 Ga
26	873800600	Nut Lock Hex W/Ins 3/8-16 Unc
28	532165379	Grille LT/PL Husqvarna
29	532165380	Lens LT/PL Husqvarna
30	532171854	Fender Footrest STLT Pnt
31	532139976	Bracket Support Fender
37	817490508	Screw Thdrol 6/16-18 x 1/2 TYT
38	532169834	Bracket Asm. Pivot Mower Rear
52	819091416	Washer 9/32 x 7/8 x 16 Ga.
53	532150067	Bracket Pnt. Pick off LT/PL Husqvarna
57	874780412	Bolt Hex 1/4-20 x 3/4
58	532162266	Duct Intake Air
60	872140606	Bolt Rdhd Sqnk 3/8-16unc x 3/4
64	532154798	Dash Lower STLT
68	873510400	Nut Keps Hex 1/4-20 UNC
71	873680400	Nut Crownlock 1/4-20 UNC
74	873680600	Nut Crownlock 3/8-16 UNC
129	819091016	Washer 9/32 x 5/8 x 16 Ga.
134	532160219	Rod Support Hood PL Husq.
142	532165867	Plate Reinforcement STLT
143	532154966	Bracket Swaybar Chassis
144	532154207	Bracket Pnt Footrest STLT
145	532156524	Rod Pivot Chassis/Hood
206	532170165	Bolt Shoulder 5/16-18 TT
207	817670508	Screw Thdrol 5/16-18 x 1/2 TYTT
208	817670608	Screw Thdrol 3/8-16 x 1/2 TYT BL

NOTE: All component dimensions given in U. S. inches
1 inch = 25.4 mm

REPAIR PARTS

TRACTOR - MODEL NO. YTH180 (HEYTH180C), PRODUCT NO. 954 17 00-23
DRIVE



REPAIR PARTS

TRACTOR - MODEL NO. YTH180 (HEYTH180C), PRODUCT NO. 954 17 00-23

DRIVE

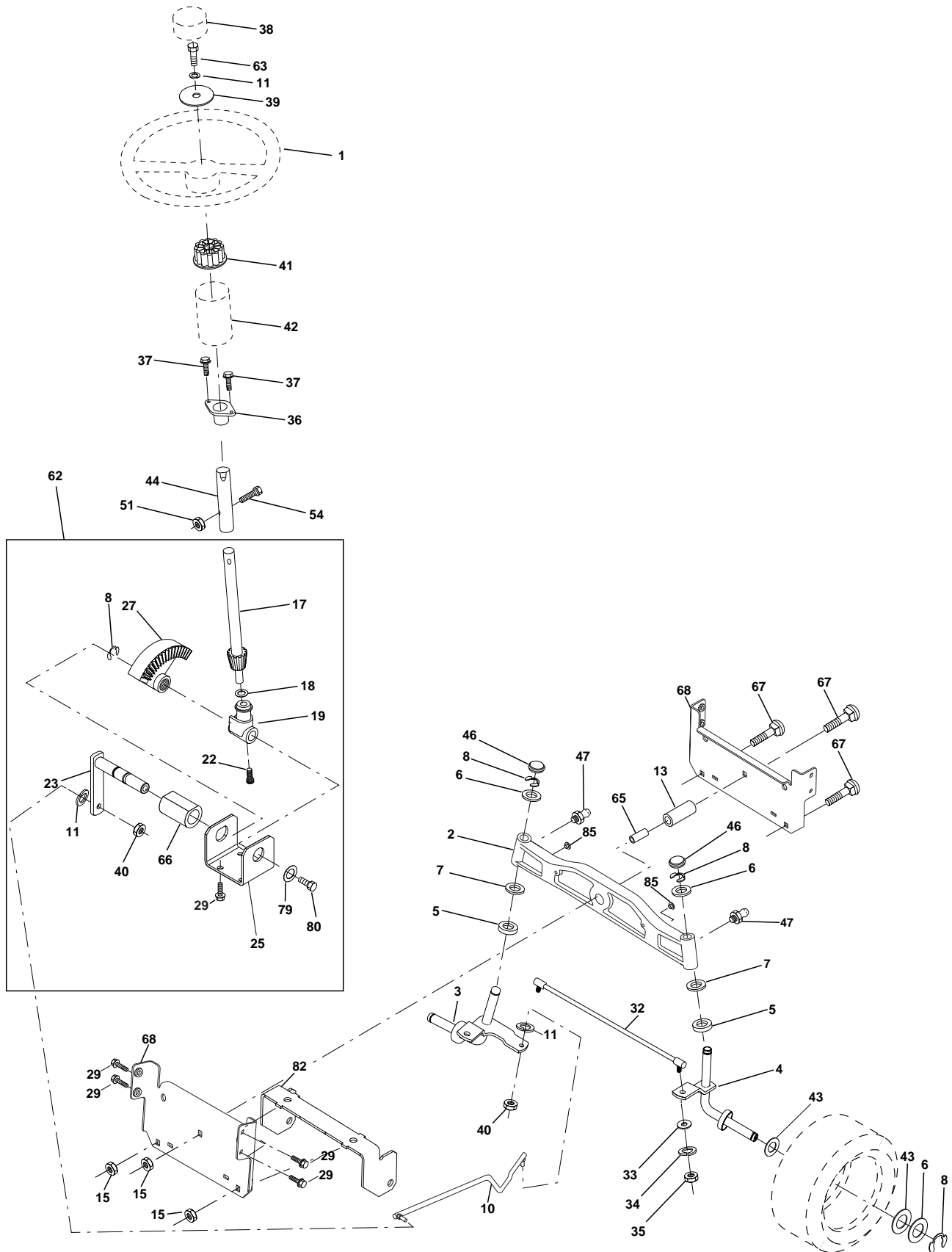
KEY NO.	PART NO.	DESCRIPTION	KEY NO.	PART NO.	DESCRIPTION
1	-----	Transaxle, Hydro Gear 314-0510 (Order Parts From Transaxle Manufacturer)	61	817060612	Screw 3/8-16 x 3/4
8	532165866	Rod Shift Fender	62	532123533	Cover, Pedal
9	532160889	Clutch Electric	63	532145868	Pulley, Engine
10	876020416	Pin Cotter 1/8 x 1 CAD	65	810040700	Washer
14	810040400	Washer Lock Hvy Helical	66	532154778	Keeper Belt Engine Hydro
15	874490544	Bolt Hex Flghd 5/16-18 Gr. 5	71	532169183	Strap Torque Lh Hydro
16	873800500	Nut Lock Hex W/Ins. 5/16-18 Unc	73	532169182	Strap Torque Rh Hydro
19	873800600	Nut Lock Hex W/Wsh 3/8-16 Unc	74	532169496	Spacer, Axle
20	532150280	Bolt, Hex 7/16-20 x 4-1/4	75	532121749	Washer 25/32 x 1-1/4 x 16 Ga.
21	532121274	Knob Duckhead	76	812000001	E-Ring
22	532169498	Rod, Brake Hydro	77	532123583	Key, Square
23	532171258	Bracket Asm. Anti-Rot EVX	78	532121748	Washer 25/32 x 1-5/8 x 16 Ga.
24	873350600	Locknut	81	532165596	Shaft Asm. Cross Hydro
25	532106888	Spring, Brake Rod	82	532165711	Spring Torsion T/A
26	819131316	Washer	83	819171216	Washer 17/32 x 3/4 x 16 Ga.
27	876020412	Pin Cotter 1/8 x 3/4 CAD.	84	532169594	Link Transaxle
28	532145204	Rod, Parking Brake	89	532166510	Console, Shift
29	532071673	Cap, Parking Brake	90	532124346	Nut, Self Thd Wsh Hd 1/4 Zinc
30	532169592	Bracket, Transaxle	95	532170201	Control Asm. Bypass Hydro
32	874760512	Bolt Hex Hd 5/16-18 Unc x 3/4	96	532124788	Retainer Spring 1" Zinc/Cad
33	872140506	Bolt Carriage 5/16-18 UNC x 3/4	144	819111016	Washer 11/32 x 5/8 x 16 Ga.
34	532155071	Shaft, Foot Pedal	150	532165850	Bushing Bellcrank Grd Drive
35	532120183	Bearing, Nylon	151	819133210	Washer 13/32 x 2 x 10 Ga.
36	819211616	Washer	156	532166002	Washer Srrted 5/16ID x 1.125
37	532124963	Pin, Roll	158	532165589	Bracket Shift Mount
38	532131494	Pulley, Idler, Flat	159	532165494	Hub Tapered Flange Shift Lt
39	872110622	Bolt	161	872140406	Bolt Rdhd Sqnk 1/4-20 x 3/4 Gr. 5
40	532124965	Spacer Split	162	873680400	Nut Crownlock 1/4-20 Unc
41	532165838	Keeper, Belt Idler Fool-Proof	163	874780416	Bolt Hex Fin 1/4-20 Unc x 1 Gr. 5
42	819131312	Washer 13/32 x 13/16 x 12 Gauge	164	819091010	Washer 5/8 x .281 x 10 Ga
47	532127783	Pulley, Idler, V-Groove	165	532165623	Bracket Pivot Lever
48	532154407	Bellcrank Clutch Grnd Drv Stl	166	532166880	Screw 5/16-18 x 5/8
49	532123205	Retainer, Belt	168	532165492	Bolt Shoulder 5/16-18 x .561
50	874760624	Bolt	169	532165580	Plate Fastening Lt\
51	873680600	Nut	197	532169613	Nyliner Snap-In 5/8" ID
52	873680500	Nut Crown Lock 5/16-18	198	532169593	Washer Nyliner 7/8 ID x .105
53	532105710	Link, Clutch	199	532169612	Bolt Shoulder 5/16-18 Unc
55	532105709	Spring, Return, Clutch	200	532078051	Bolt Rdhd Sq Neck Unc
56	874760620	Bolt	202	872110612	Bolt Carr Sh 3/8-16 x 1-1/2 Gr.5
57	531006042	V-Belt, Ground Drive			
59	532169595	Keeper, Center Span			

NOTE: All component dimensions give in U.S. inches.
1 inch = 25.4 mm.

REPAIR PARTS

TRACTOR - MODEL NO. YTH180 (HEYTH180C), PRODUCT NO. 954 17 00-23

STEERING ASSEMBLY



REPAIR PARTS

TRACTOR - MODEL NO. YTH180 (HEYTH180C), PRODUCT NO. 954 17 00-23
STEERING ASSEMBLY

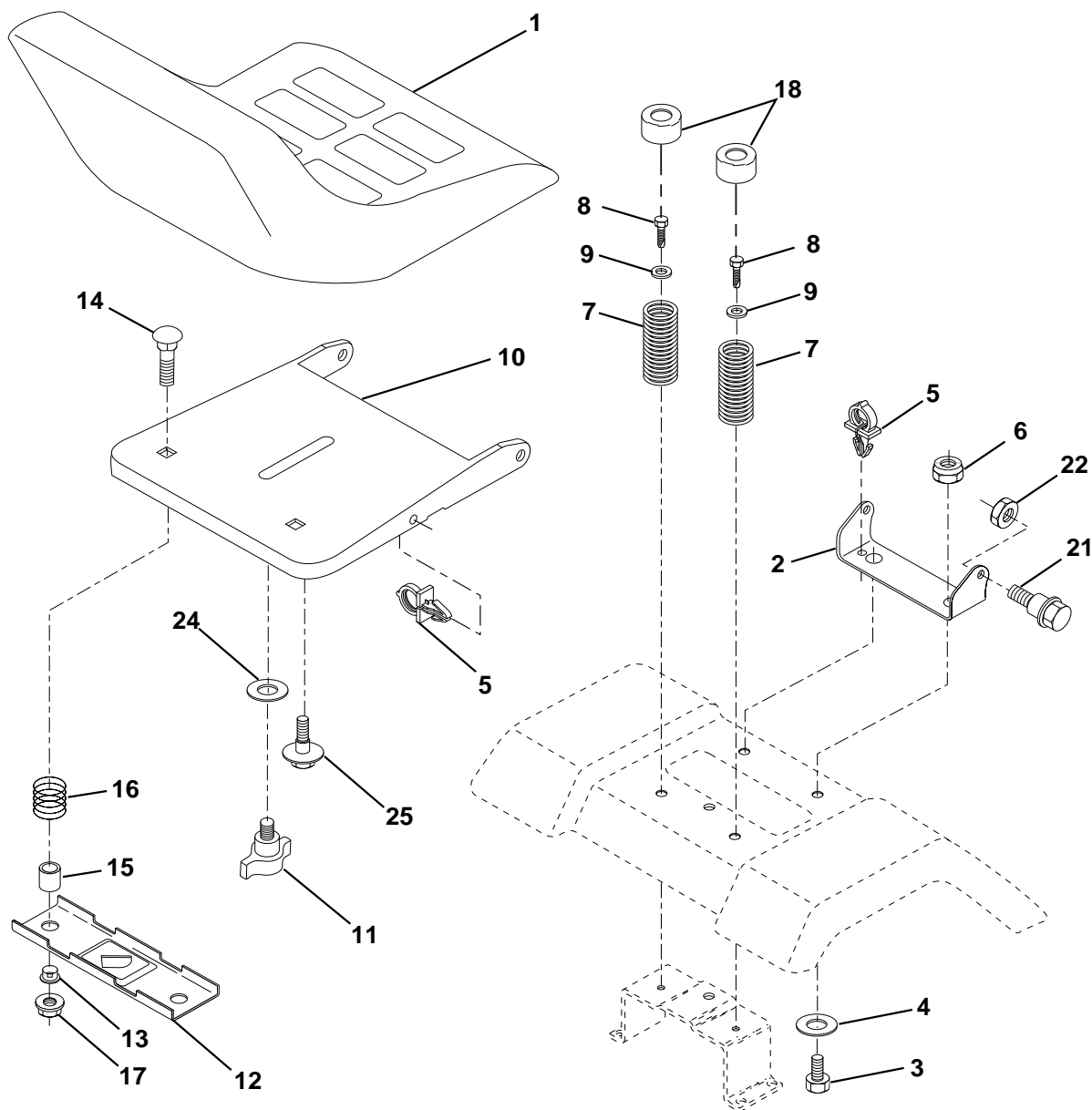
KEY NO.	PART NO.	DESCRIPTION
1	532166627	Wheel Steering
2	532165854	Axle Cast Lt Machined
3	532169840	Spindle Asm LH
4	532169839	Spindle Asm RH
5	532124931	Bearing Race Thrust Harden
6	532121748	Washer 25/32 X 1-5/8 X 16 Ga
7	819272016	Washer 27/32 X 1-1/4 X 16 Ga
8	812000029	Ring Klip #t5304-75
10	532169832	Link Drag
11	810040600	Washer Lock Hvy Hlcl Spr 3/8
13	532136518	Spacer Brg Axle Front
15	532145212	Nut Hex Flange Lock
17	532156546	Shaft Asm Strg Private Label
18	532057079	Washer Thrust 515x 750x 033
19	532160395	Support Shaft
22	532165857	Screw Hex Wsh Hd Torx
23	532165851	Shaft Asm Pittman
25	532154406	Bracket Steering
27	532136874	Gear Sector 22 Teeth
29	817060612	Screw 3/8-16x3/4
32	532139929	Rod Tie
33	819111216	Washer 11/32 x 3/4 x 16 Ga.
34	810040500	Washer Lock Hry Hlcl Spr 5/16
35	873680500	Nut Crownlock 5/16 - 18 Unc
36	532155099	Bushing Strg
37	532152927	Screw TT #32.5 x 5 x 3/8 Flange
38	532166626	Cap Wheel Steer
39	819132411	Washer 13/32 x 1-1/20 x 11 Ga
40	532124701	Nut Lock Center 3/8-24 Unf
41	532159945	Adaptor Wheel Strg
42	532169634	Boot Dash Steering
43	532121749	Washer 25/32 X 1 1/4 X 16 Ga
44	532153720	Extension Steering Non-adjust
46	532121232	Cap Spindle Fr Top Blk
47	532124836	Fitting Grease
51	873800500	Nut Lock Hex W/Ins 5/16-18 UNC
54	874780520	Bolt Fin Hex 5/16-18 UNC x 1-1/4
62	532167902	Steering Assembly
63	874780616	Bolt Fin Hex 3/8-16 UNC x 1 Gr. 5
65	532160367	Spacer Brace Axle
66	532154404	Bearing Arm Pittm-an
67	872110618	Bolt Rdhd Sqnk 3/8-16 x 2-1/4
68	532169827	Brace, Axle
74	532109850	Joint Asm Ball Rh Service
75	532109851	Joint Asm Ball Lh Service
76	532137156	Rod Tie Ball J Adj. Vgt Service
77	873700600	Nut Hex Jam 3/8-24 Unf Lh
78	873360600	Nut Hex Jam 3/8-24 Unf
79	819132012	Washer 13/32 x 1-1/4 x 12 Ga.
80	874950612	Bolt Hex Nylon 3/8-16 x 3/4
82	532169835	Bracket Susp Chassis Front
85	532133835	Fastner Christmas Tree

NOTE: All component dimensions given in U.S. inches
1 inch = 25.4 mm.

REPAIR PARTS

TRACTOR - MODEL NO. YTH180 (HEYTH180C), PRODUCT NO. 954 17 00-23

SEAT ASSEMBLY



KEY NO.	PART NO.	DESCRIPTION
1	532140840	Seat
2	532140551	Bracket Pivot Seat 8 720
3	871110616	Bolt Hex 3/8-16unc x 1
4	819131610	Washer 13/32 X 1 X 10 Ga
5	532145006	Clip Push-In Hinged
6	873800600	Nut Lock Hex w/Ins. 3/8-16 Unc
7	532124181	Spring Seat Cprsn 2 250 Blk Zi
8	817000616	Screw 3/8-16 X 1-1/2
9	819131614	Washer 13/32 X 1 X 14 Ga
10	532155925	Pan Seat
11	532166369	Knob Seat
12	532121246	Bracket Mounting Switch

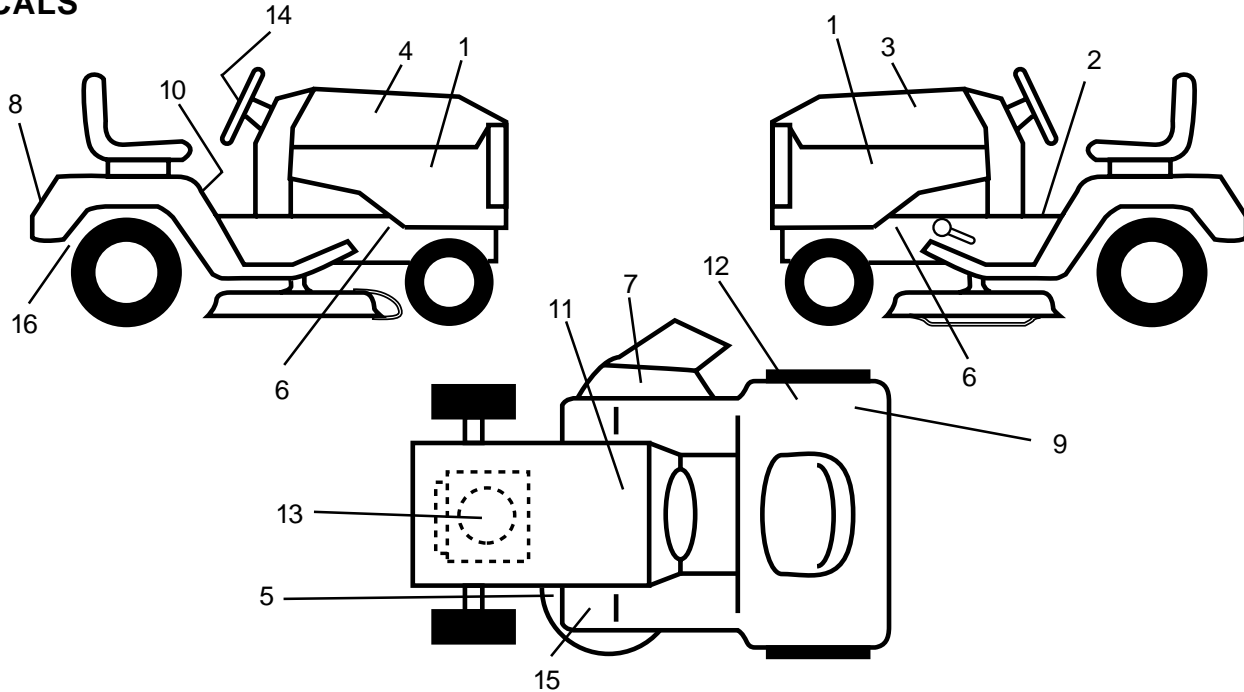
KEY NO.	PART NO.	DESCRIPTION
13	532121248	Bushing Snap Blk Nyl 50 Id
14	872050412	Bolt Rdhd Sht Nk 1/4-20x1-1/2
15	532121249	Spacer Split 28x 88 Zinc
16	532123740	Spring Cprsn 1 310 Blk Pnt
17	532123976	Nut Lock 1/4 Lge Flg Gr 5 Zinc
18	532124238	Cap Spring Seat
21	532153236	Bolt Shoulder 5/16-18 Unc-2A
22	873800500	Nut Lock Hx w/Ins 5/16-18 Unc PL
24	819171912	Washer 17/32 X 1-3/16 X 12 Ga
25	532127018	Bolt Shoulder 5/16-18 X 62

NOTE: All component dimensions given in U.S. inches
1 inch = 25.4 mm.

REPAIR PARTS

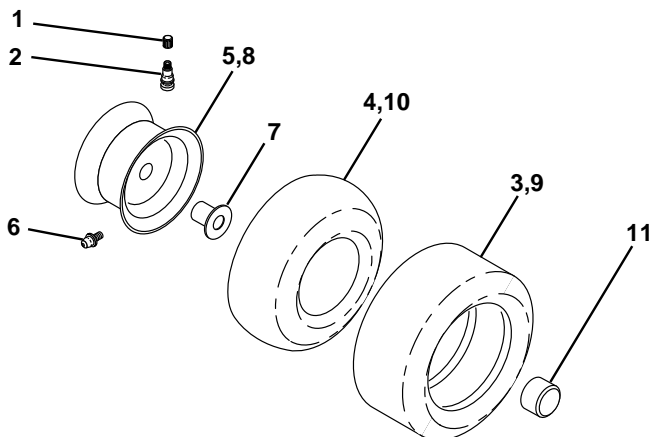
TRACTOR - MODEL NO. YTH180 (HEYTH180C), PRODUCT NO. 954 17 00-23

DECALS



KEY NO.	PART NO.	DESCRIPTION	KEY NO.	PART NO.	DESCRIPTION
1	532159713	Decal, Pnl Side B&S	14	532170564	Decal, Wheel Steering
2	532140837	Decal, Brake Parking Sandle	15	532159737	Decal, Brake/Clutch Symbol
3	532150728	Decal, Hood, L. H.	16	532162598	Decal Drawbar Load Limit
4	532150727	Decal, Hood, R.H.	--	532169210	Decal By Pass Lt Hydro
5	532160396	Decal, V-Belt Sch.	--	532138311	Decal, Handle Lift Height Adjust. (Lift Handle)
6	532159736	Decal, Chassis Hot Muffler	--	532171284	Pad, Footrest LH
7	532145494	Decal, Mower Cutfinger Symbol	--	532171285	Pad, Footrest RH
8	532150617	Decal, Logo, Fender	--	532171821	Manual, Operator's (Euro)
9	532126187	Decal, 100 DBA	--	532171822	Manual, Operators, (Scan)
10	532145498	Decal, Read Owners Manual	Available accessories not included with tractor:		
11	532145005	Decal, Bat Dan/Poi P/L Sym	--	C42	42" Bagger
12	532145437	Decal, Europe Stand. CE Syms	--	MK420	Kit Mulcher w/Blades
13	532170850	Decal Engine			

WHEELS & TIRES

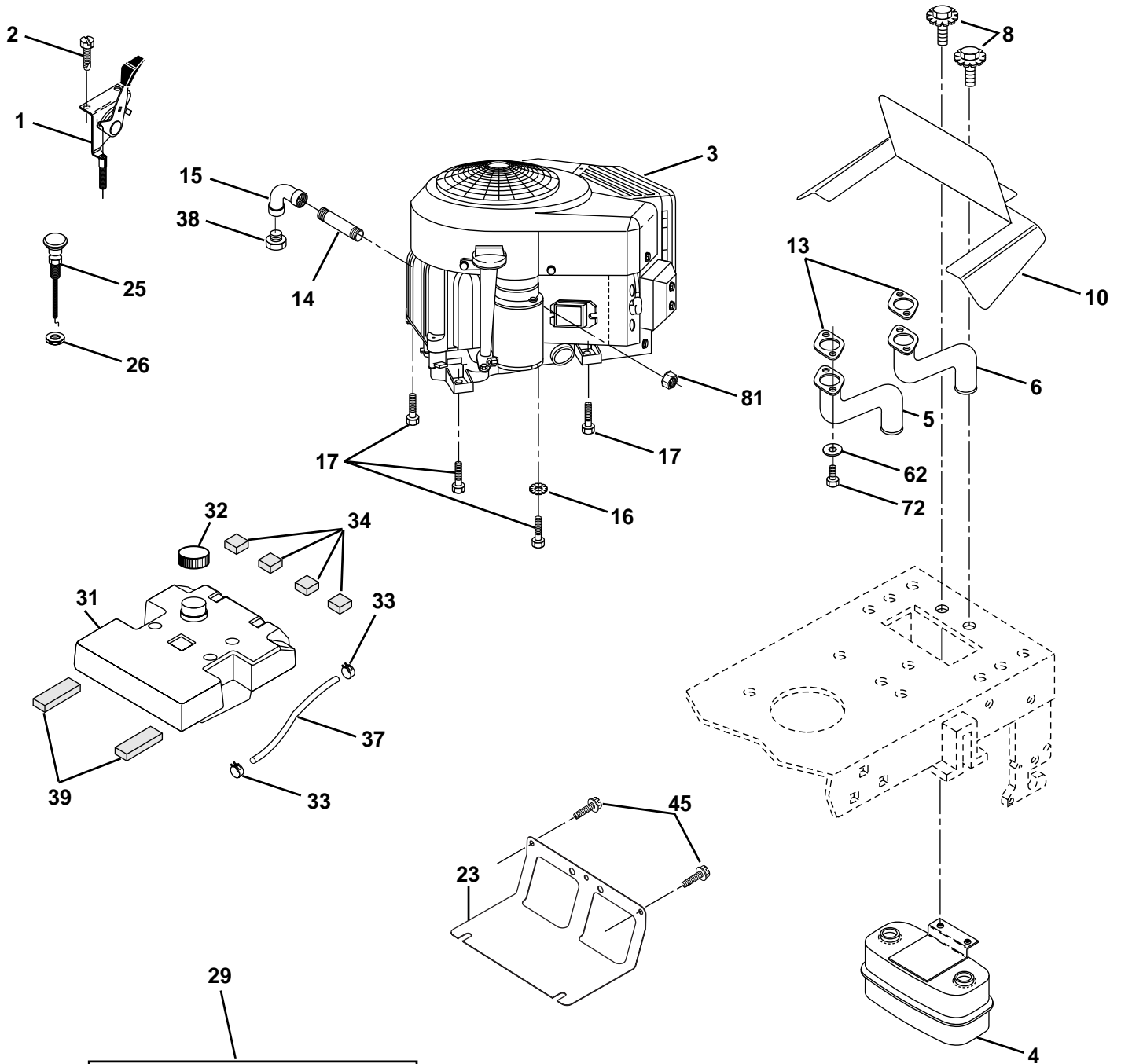


KEY NO.	PART NO.	DESCRIPTION
1	532059192	Cap Valve Tire
2	532065139	Stem Valve
3	532106222	Tire F Ts 15 X 6 0 - 6 Service
4	532059904	Tube Front (Service Item Only)
5	532138336	Rim Asm 6"front Silver Service
6	532124957	Fitting Grease (Front Wheel Only)
7	532124959	Bearing Flange (Front Wheel Only)
8	532138337	Rim Asm 8"rear Silver Service
9	532122082	Tire R Ts 20x10-8 C Service
10	532124926	Tube Rear (Service Item Only)
11	532104757	Cap Axle Blk 1 50 X 1 00
--	532144334	Sealant, Tire (10 oz. tube)

NOTE: All component dimensions given in U.S. inches
1 inch = 25.4 mm

REPAIR PARTS

TRACTOR - MODEL NO. YTH180 (HEYTH180C), PRODUCT NO. 954 17 00-23
ENGINE



OPTIONAL EQUIPMENT
Spark Arrester

REPAIR PARTS

TRACTOR - MODEL NO. YTH180 (HEYTH180C), PRODUCT NO. 954 17 00-23
ENGINE

KEY NO.	PART NO.	DESCRIPTION
1	532148875	Control, Throttle
2	817720410	Screw, Hex Head, Thread Cutting 1/4-20 x 5/8
3	-----	Engine, B&S Model Number 407777 (Order Parts From Engine Manufacturer)
4	532149723	Muffler
5	532159955	Tube, Manifold, LH
6	532160589	Tube, Manifold, RH
8	532150176	Bolt 5/16-18 UNC x 3/4 w/Sems
10	532162797	Shield, Browning B&S Intek II
13	532165391	Muffler Gasket (Order from Engine Manufacturer)
14	813280336	Nipple, Pipe 3/8 NPT x 4-1/2
15	813200300	Elbow, Standard 90° 3/8-18 NPT
16	811050600	Washer, Lock, External Tooth 3/8
17	817490624	Screw Thdrol 3/8-16 x 1-1/2
23	532169837	Shield, Browning / Debris Guard
25	532145996	Choke Control
26	873920600	Nut, Keps 3/8-24 UNF
29	532137180	Kit, Spark Arrestor
31	532157103	Tank Fuel 3 50 Rear
32	532140527	Cap Asm Fuel W/sym Vented
33	532123487	Clamp, Hose
34	532106082	Pad, Spacer
37	532124923	Line, Fuel
38	-----	Plug, Oil Drain (Order From Engine Manufacturer)
39	532109227	Pad, Idler
45	817060612	Screw 3/8-16 x 3/4
62	810040500	Washer, Lock 5/16 (Order from engine mfg.)
72	871070512	Screw, Hex Socket Head 5/16-18 x (Order from engine mfg.)
81	532128861	Nut, Flange 1/4-20 Starter Nut

NOTE: All component dimensions given in U.S. inches
1 inch = 25.4 mm

REPAIR PARTS

TRACTOR - MODEL NO. YTH180 (HEYTH180C), PRODUCT NO. 954 17 00-23

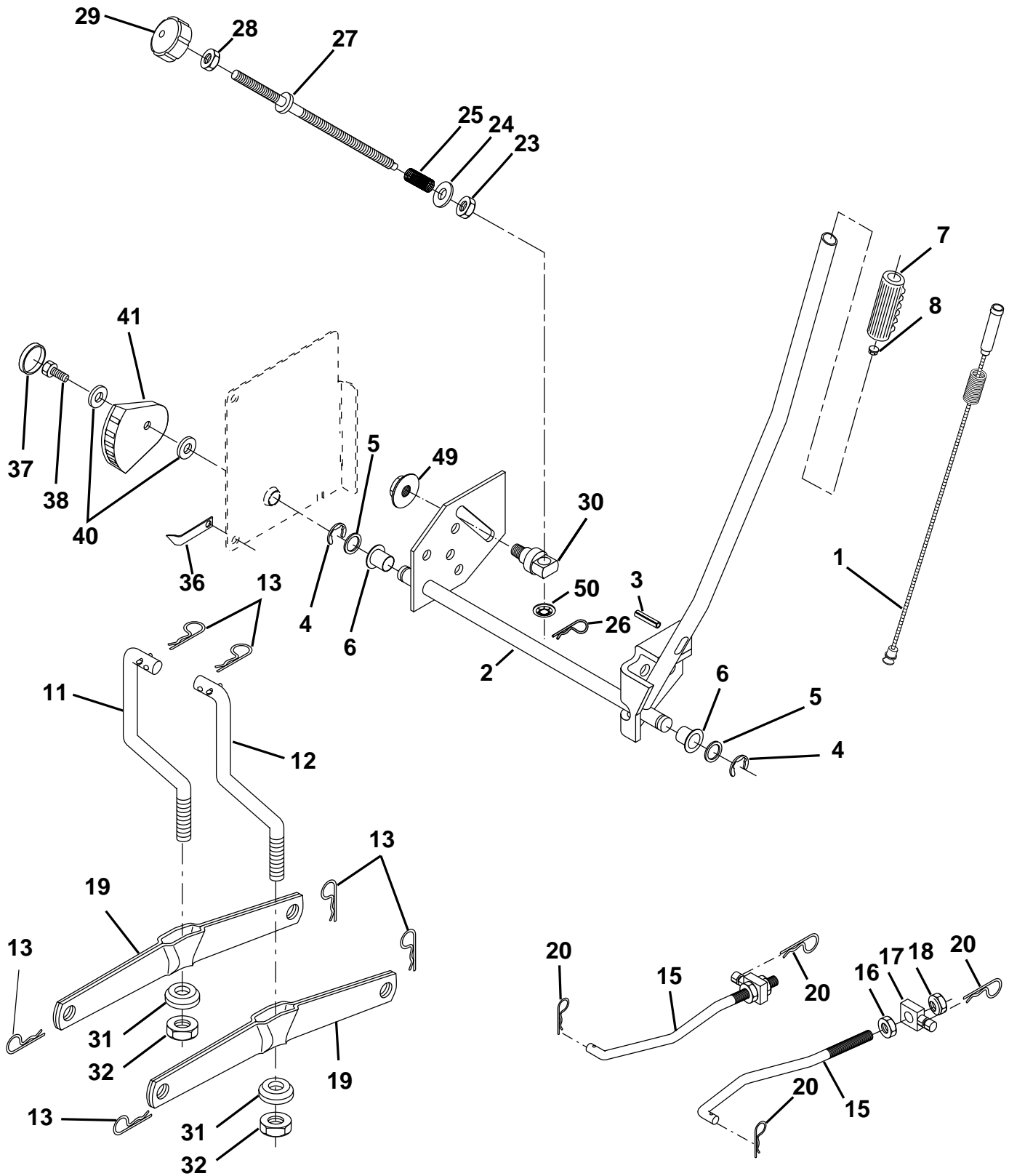
MOWER DECK

KEY NO.	PART NO.	DESCRIPTION	KEY NO.	PART NO.	DESCRIPTION
1	532164961	Housing Asm Mower 42"94 T-Path	56	532165723	Spacer Retainer Mower
2	872140506	Bolt Rdhd Sqnk 5/16-18unc X3/4	59	532141043	Guard, Belt
3	532138017	Bracket Asm Fr Sway Bar 38/42	61	532131950	Spring Ext. Elect
4	532138440	Bracket Asm Deck 42"sway Bar	68	531005086	V-Belt Mower
5	532124670	Retainer Spring	83	532120958	Washer Sintered
6	532130832	Arm Suspension Rear	84	532156084	Keeper Belt Idler
8	532850857	Bolt 3/8-24x1 25 Gr8 Patched	85	872140620	Bolt Carriage 3/8-16 x 2-1/2
9	810030600	Washer Lock Hvy 3/8 Unplated	90	874760616	Bolt Fin Hex 3/8-16unc X 1
10	532140296	Washer Hard Blade Mower Vented	91	532132274	Bracket Asm Noseroller LH
11	531005085	Blade Mower High Lift"	92	873800600	Nut Lock Hex w/ins. 3/8-16 UNC
12	532129895	Bearing Ball #6204 (Mandrel)	93	819171416	Washer 17/32 X 7/8 X 16 Ga
13	532137645	Shaft Asm W/lower Bearing	94	532132264	Roller Nose 38 & 42
14	532128774	Housing Mandrel Vented(machd)	95	532132273	Bracket Asm Noseroller RH
15	532110485	Bearing Ball Mandrel	111	532155197	Bracket Gauge Wheel Lh
16	532140329	Stripper Round Mower	112	532155198	Bracket Gauge Wheel Rh
17	872110618	Bolt Rdhd Sqnk 3/8-16 X 2-1/4	113	817060512	Screw 5/16-18 x 3/4
18	872140505	Bolt Carr 5/16-18 X 5/8	114	873510500	Nut Keps 5/16-18 UNC
19	532132827	Bolt Shoulder	115	872110504	Bolt Carriage 5/16-18unc x 1/2
20	532159770	Baffle Vortex 42	116	532124842	Bolt Shoulder
21	873680500	Nut Crown Lock 5/16-18	117	532165746	Wheel Gauge
22	532134753	Stiffener Bracket 42"deck	118	873930600	Nut Centerlock 3/8-16 UNC
23	532131267	Bracket Deflector Mower 42"	119	819121414	Washer 3/8 x 7/8 x 14 Ga.
24	532105304	Cap Sleeve 80x 112 Blk Mower	121	532143723	Bracket Extruded Gauge Wheel
25	532123713	Spring Torsion Deflector 2 52	125	876020816	Cotter Pin
26	532110452	Nut Push Phos & Oil	128	532153390	Washer Felt
27	532171859	Shield Deflector	129	819131312	Washer 13/32 x 13/16 x 12 Ga.
28	819111016	Washer 11/32 X 5/8 X 16 Ga	130	874780616	Bolt Fin Hex 3/8-16 UNC x 1 Gr. 5
29	532131491	Rod Hinge 42"6 75 Wlg	131	872140608	Bolt Rdhd Sqnk 3/8-16 UNC x1
30	532157722	Screw Thd Rolling Washer Head	132	819132203	Washer 13/32 x 1-3/8 x 3 Ga.
31	532129963	Washer Spacer Mower Vented	133	872110622	Bolt Rdhd 3/8-16 Unc x 2-3/4 Gr. 5
32	532153535	Pulley Mandrel	--	532164964	Deck Serv 42" Elec Vent (Standard Deck - Order Nose Roller, Gauge Wheel and Mulcher Plate components separately Key Nos. 90-95, 101-106 and 111-121)
33	532137266	Nut 9/16top Lock Flng Cntr			
35	532133835	Fastner Christmas Tree			
36	532131494	Pulley Idler Flat 3 060			
37	819131316	Washer 13/32 X 13/16 X 16 Ga			
38	532132823	Spacer Spring Stop Idler	--	532130794	Mandrel Assembly (Includes Key Numbers 8-10, 12-15, 31 and 33)
40	873680600	Nut Lock 3/8-16 Unc			
44	532140088	Guard Mandrel LH Black			
46	532137729	Screw Thdrol 1/4-20x5/8			
54	532133943	Washer Hardened			
55	532140084	Arm Idler 42"mower LT/YT			

NOTE: All component dimensions given in U.S. inches
1 inch = 25.4 mm

REPAIR PARTS

TRACTOR - MODEL NO. YTH180 (HEYTH180C), PRODUCT NO. 954 17 00-23
MOWER LIFT



REPAIR PARTS

TRACTOR - MODEL NO. YTH180 (HEYTH180C), PRODUCT NO. 954 17 00-23
MOWER LIFT

KEY NO.	PART NO.	DESCRIPTION
1	532159460	Wire Asm Inner/Sprg w/plngr LT
2	532159471	Shaft Asm Lift
3	532105767	Pin Groove
4	812000002	E Ring #5133-62
5	819211621	Washer 21/32 X 1 X 21 Ga.
6	532120183	Bearing Nylon Blk 629 Id
7	532125631	Grip Handle
8	532124526	Button Plunger Black
11	532139865	Link Lift LH Mower
12	532139866	Link Lift RH Mower
13	532124670	Retainer Spring
15	532167253	Link Front
16	873350800	Nut Jam Hex 1/2-13 Unc
17	532130171	Trunnion Blk Zinc
18	873800800	Nut Lock w/wsh 1/2-13 Unc
19	532139868	Arm Suspension Rear
20	532163552	Retainer Spring
23	532110807	Nut Special
24	819131016	Washer 13/32 x 5/8 x 16 Ga.
25	532124874	Spring 2-1/8"
26	532169484	Retainer Clip
27	532126971	Rod Adj Lift
28	873350600	Nut Hex Jam 3/8-16 UNC
29	532138057	Knob Inf 3/8-16 UNC
30	532150233	Trunnion Inf. Height
31	873540600	Nut Crownlock 3/8-24
32	532140302	Bearing PT Lift Spherical
36	532155097	Pointer Height Ind
37	532123935	Plug Hole
38	817060516	Screw 5/16-18 x 1
40	819112410	Washer 11/32 x 1-1/2 x 10 Ga.
41	532155098	Ind Height STLT
49	532145212	Nut, Hex Flange Lock
50	532110452	Nut, Push

NOTE: All component dimensions given in U.S. inches
1 inch = 25.4 mm