

YTH170

Spare parts

Ersatzteile

Pièces détachées

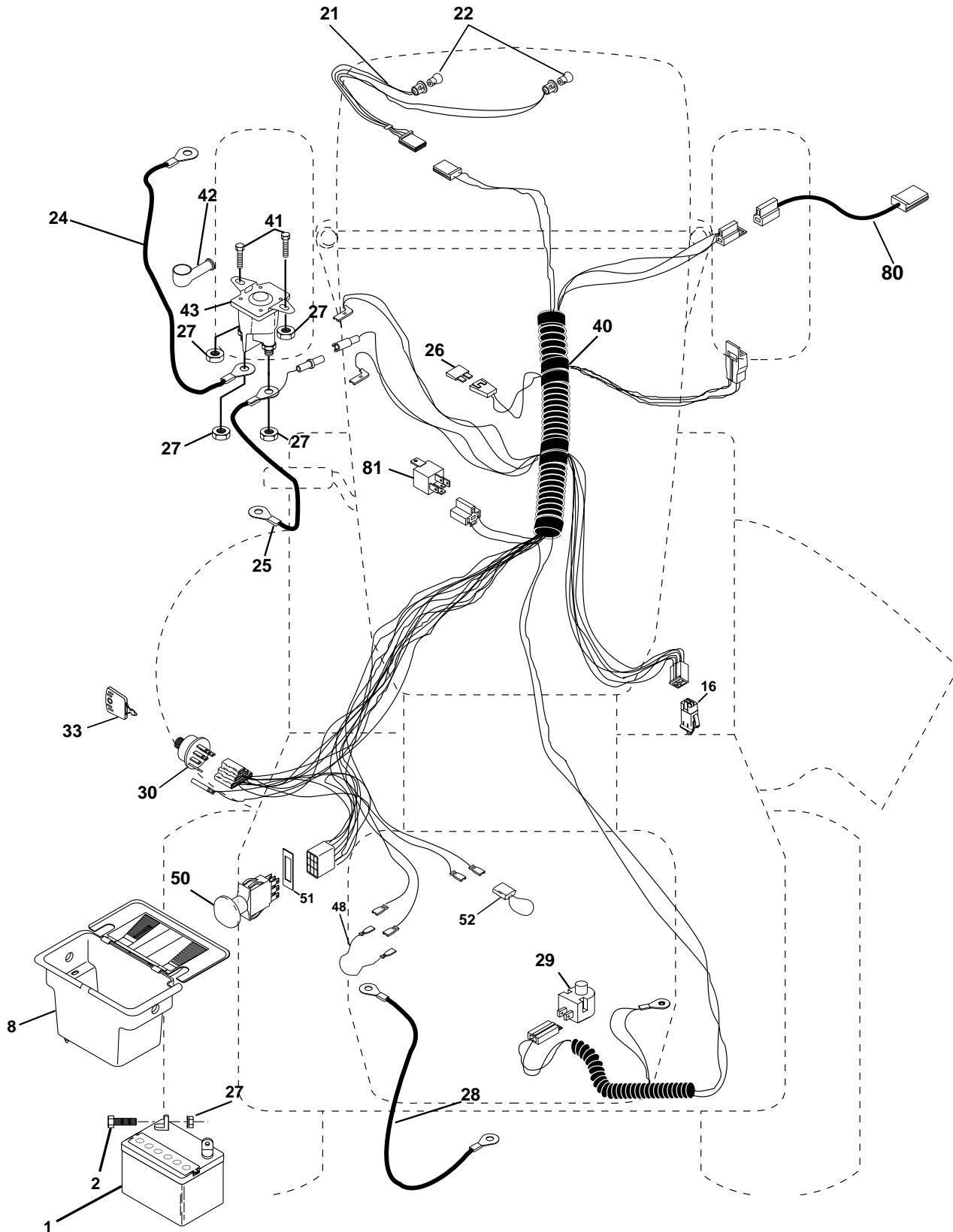
Reserve onderdelen

Repuestos

Reservdelar

REPAIR PARTS

TRACTOR - - MODEL NO. YTH170 (HFYTH170D) PRODUCT NO. 954 82 01-31
ELECTRICAL



REPAIR PARTS

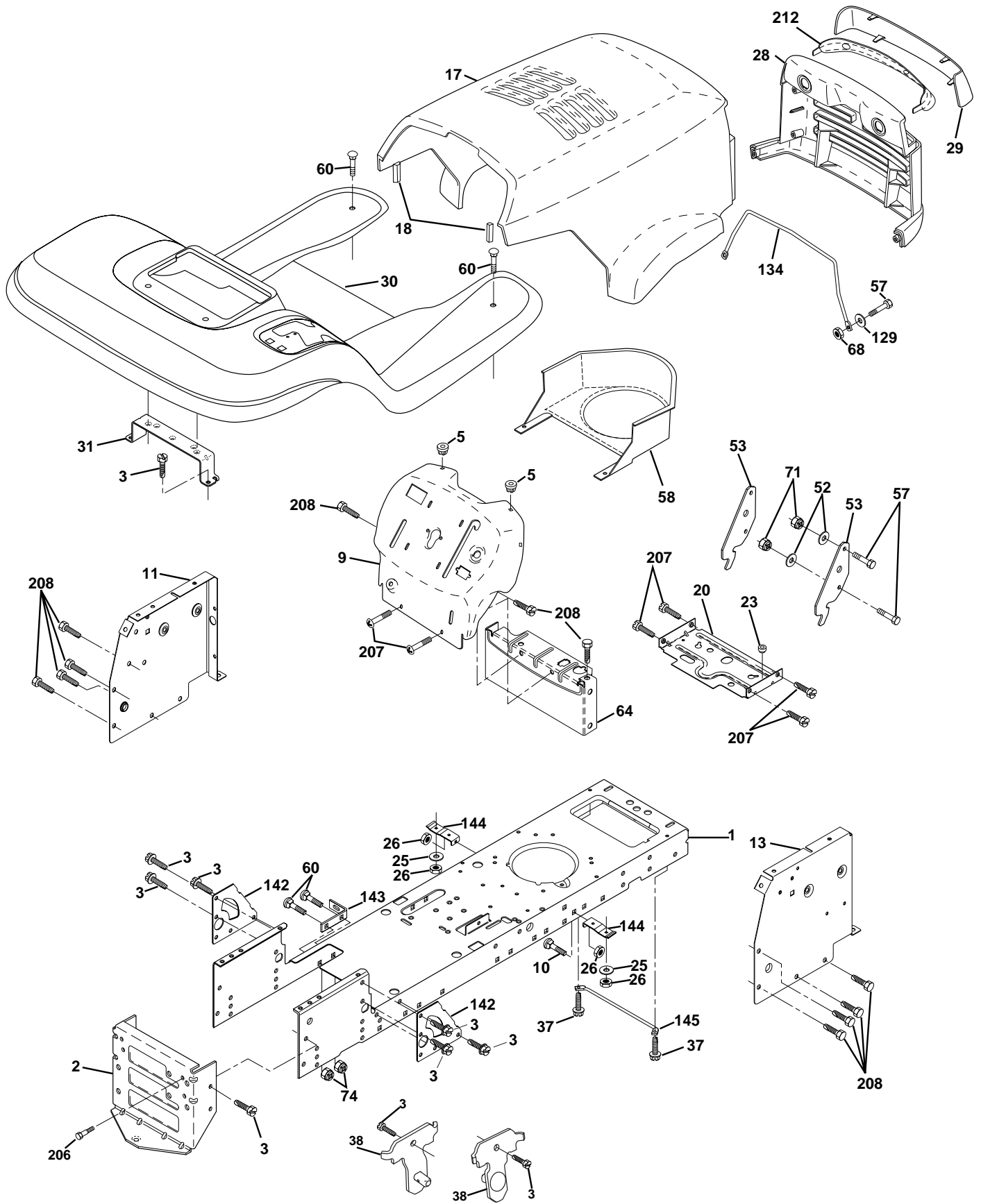
TRACTOR - - MODEL NO. YTH170 (HFYTH170D) PRODUCT NO. 954 82 01-31
ELECTRICAL

KEY NO.	PART NO.	DESCRIPTION
1	532144925	Battery 12 Volt 25 AMP
2	874760412	Bolt Hex Hd 1/4-20unc x 3/4
8	532156417	Case Battery Mech Hinge
16	532153664	Switch Interlock Push-In
21	532166181	Harness Asm Light W/4152j
22	532004152	Bulb Light #1156
24	532124780	Cable Battery 6 Ga 11" red
25	532146147	Cable Battery 6 Ga 44" red w/16 wire
26	532166180	Fuse 15 AMP Auto Green
27	873510400	Nut Keps Hex 1/4-20 Unc
28	532124773	Cable Ground 6 Ga 12" black
29	532160784	Switch Plunger Normal OP Olive
30	532163968	Switch Ign
33	532140401	Key Ign Molded
40	532170222	Harness Ign.
41	871110408	Bolt Blk Fin Hex 1/4 - 20 x 1/2
42	532131563	Cover Terminal Red
43	532145673	Solenoid
48	532140844	Adapter Ammeter Rectangular
50	532169417	Switch PTO 3PDT Black Delta
51	532140405	Ring Retainer PTO
52	532141940	Protection Wire Loop
80	532146685	Harness Clutch EVX
81	532109748	Relay Asm

NOTE: All component dimensions given in U.S. inches.
1 inch = 25.4 mm.

REPAIR PARTS

TRACTOR - - MODEL NO. YTH170 (HFYTH170D) PRODUCT NO. 954 82 01-31
CHASSIS AND ENCLOSURES



REPAIR PARTS

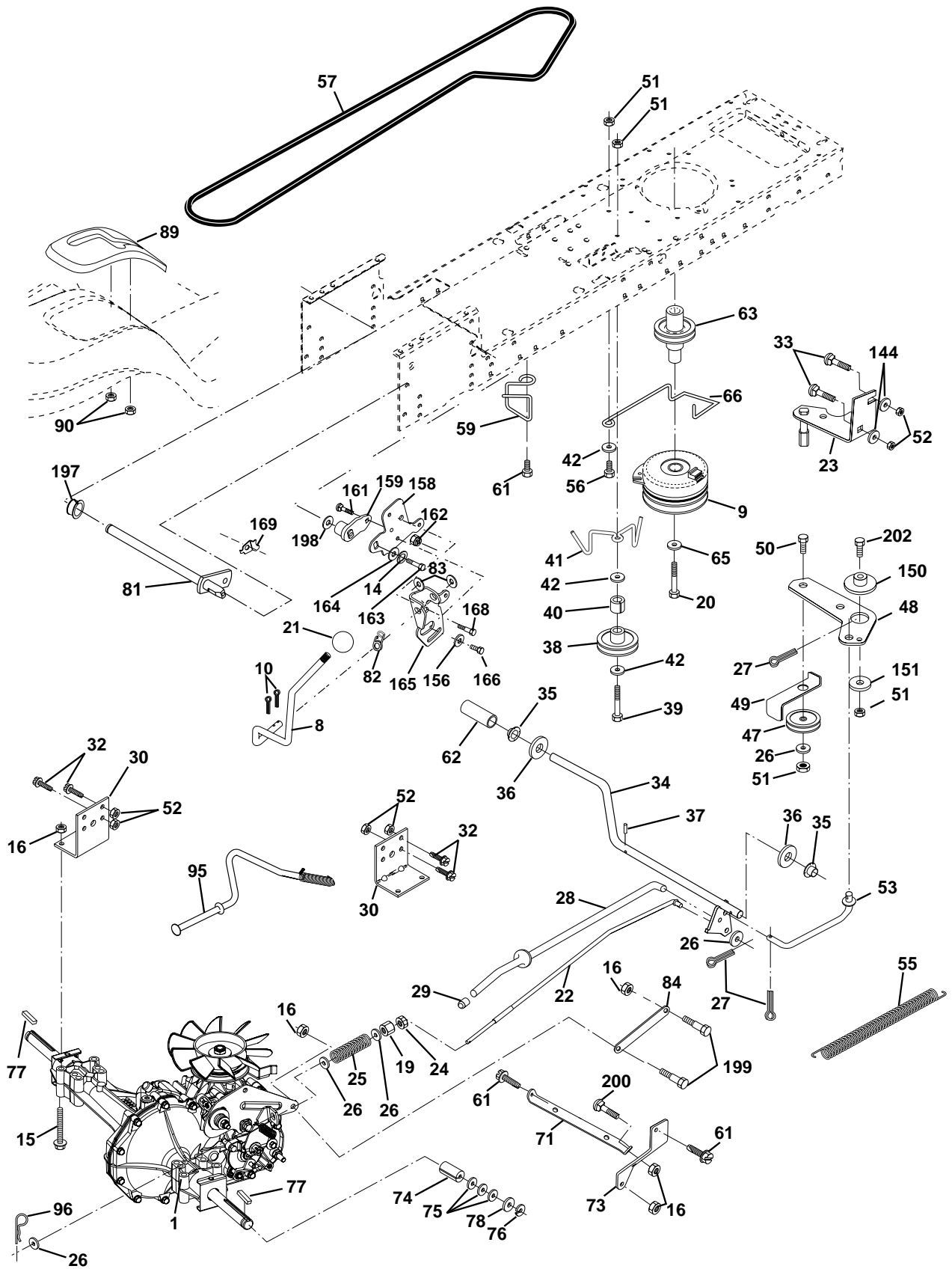
TRACTOR - - MODEL NO. YTH170 (HFYTH170D) PRODUCT NO. 954 82 01-31 CHASSIS AND ENCLOSURES

KEY NO.	PART NO.	DESCRIPTION
1	532169830	Chassis Weldment
2	532169061	Drawbar
3	817060612	Screw 3/8-16x3/4
5	532155272	Bumper Hood/Dash
9	532172119	Dash P/L
10	872140608	Bolt Carriage 3/8-16 x 1
11	532155927	Panel Dash Lh
13	532172108	Panel Dash Rh
17	532165378	Hood LT/PL Husqvarna
18	532126938	Bumper Hood
20	532156437	Plate Mtg Battery Fuel Tank Fr
23	532124028	Bushing
25	819131312	Washer 13/32 X 13/16 X 12 Ga
26	873800600	Nut Lock Hex W/Ins 3/8-16 Unc
28	532165379	Grille LT/PL Husqvarna
29	532165380	Lens LT/PL Husqvarna
30	532171854	Fender Footrest STLT Pnt
31	532139976	Bracket Support Fender
37	817490508	Screw Thdrol 6/16-18 x 1/2 TYT
38	532169834	Bracket, Asm. Pivot, Mower Rear
52	819091416	Washer 9/32 x 7/8 x 16 Ga.
53	532150067	Bracket Pnt. Pick off LT/PL Husqvarna
57	874780412	Bolt Hex 1/4-20 x 3/4
58	532150127	Air Duct Engine P/L
60	872140606	Bolt Rdhd Sqnk 3/8-16unc x 3/4
64	532154798	Dash Lower STLT
68	873510400	Nut Keps Hex 1/4-20 unc
71	873680400	Nut Crownlock 1/4-20 UNC
74	873680600	Nut Crownlock 3/8-16 UNC
129	819091016	Washer 9/32 x 5/8 x 16 Ga.
134	532160219	Rod Support Hood LT/PL Husq.
142	532165867	Plate Reinforcement STLT
143	532154966	Bracket Swaybar Chassis
144	532154207	Bracket Pnt Footrest STLT
145	532156524	Rod Pivot Chassis/Hood
206	532170165	Bolt Shoulder 5/16-18 TT
207	817670508	Screw Thdrol 5/16-18 x 1/2
208	817670608	Screw Thdrol 3/8-16 x 1/2
212	532156195	Insert Lens Reflective
--	532005479	Plug Button

NOTE: All component dimensions given in U.S. inches.
1 inch = 25.4 mm

REPAIR PARTS

TRACTOR - - MODEL NO. YTH170 (HFYTH170D) PRODUCT NO. 954 82 01-31
DRIVE



REPAIR PARTS

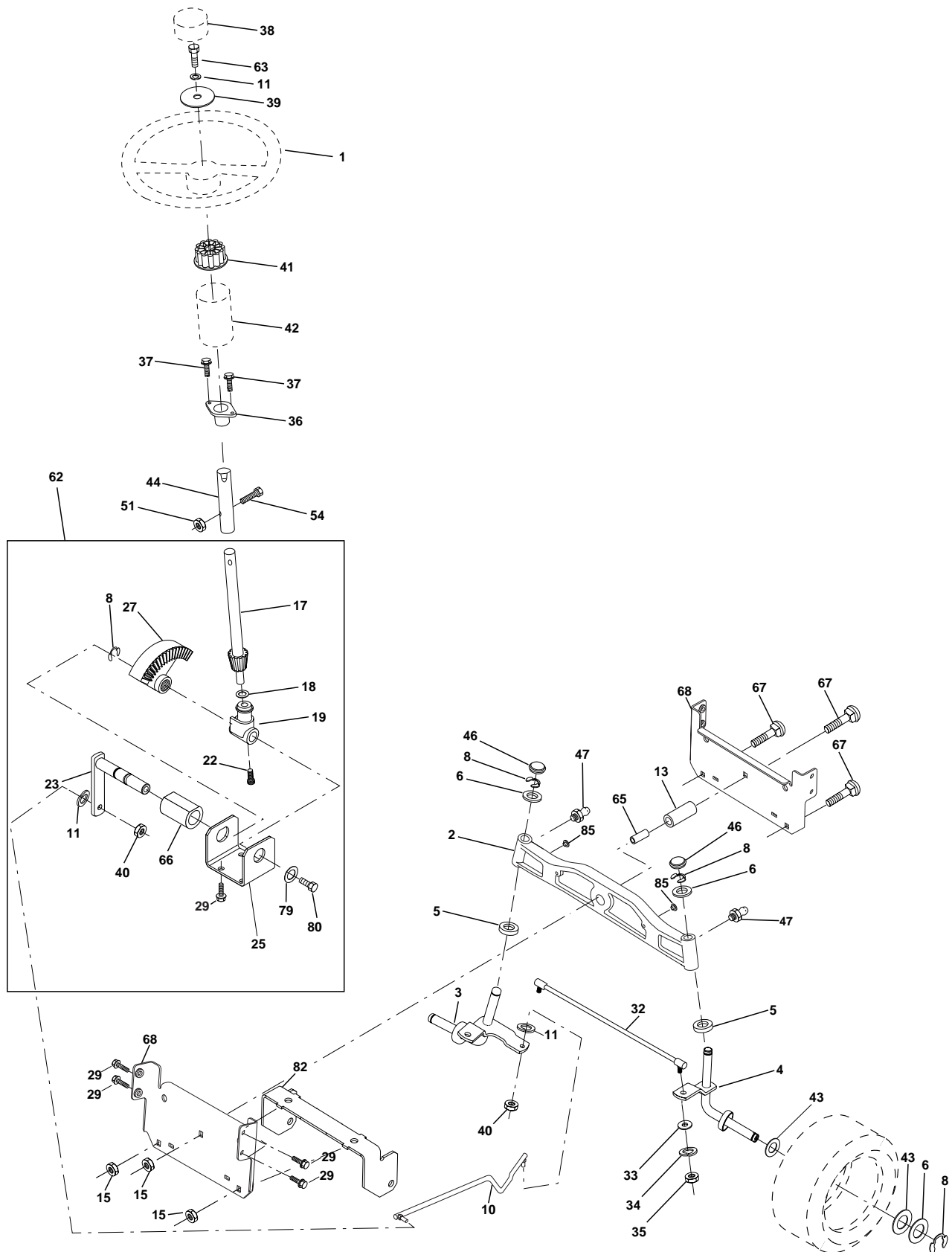
TRACTOR - - MODEL NO. YTH170 (HFYTH170D) PRODUCT NO. 954 82 01-31
DRIVE

KEY NO.	PART NO.	DESCRIPTION	KEY NO.	PART NO.	DESCRIPTION
1	-----	Transaxle, Hydro Gear 314-0510 (Order Parts From Transaxle Manufacturer)	59	532169691	Keeper, Center Span
8	532165866	Rod Shift Fender	61	817060612	Screw 3/8-16 x 3/4
9	532145028	Clutch Electric	62	532123533	Cover, Pedal
10	876020416	Pin Cotter 1/8 x 1 CAD	63	532145868	Pulley, Engine
14	810040400	Washer Lock Hvy Helical	65	810040700	Washer
15	874490544	Bolt Hex Flghd 5/16-18 Gr. 5	66	532154778	Keeper Belt Engine Hydro
16	873800500	Nut Lock Hex W/Ins. 5/16-18 Unc	71	532169183	Strap Torque Lh Hydro
19	873800600	Nut Lock Hex W/Wsh 3/8-16 Unc	73	532169182	Strap Torque Rh Hydro
20	532150280	Bolt, Hex 7/16-20 x 4-1/4	74	532169496	Spacer, Axle
21	532121274	Knob Duckhead	75	532121749	Washer 25/32 x 1-1/4 x 16 Ga.
22	532169498	Rod, Brake Hydro	76	812000001	E-Ring
23	532171258	Bracket Asm. Anti-Rot EVX	77	532123583	Key, Square
24	873350600	Locknut	78	532121748	Washer 25/32 x 1-5/8 x 16 Ga.
25	532106888	Spring, Brake Rod	81	532165596	Shaft Asm. Cross Hydro
26	819131316	Washer	82	532165711	Spring Torsion T/A
27	876020412	Pin Cotter 1/8 x 3/4 CAD.	83	819171216	Washer 17/32 x 3/4 x 16 Ga.
28	532145204	Rod, Parking Brake	84	532169594	Link Transaxle
29	532071673	Cap, Parking Brake	89	532166510	Console, Shift
30	532169592	Bracket, Transaxle	90	532124346	Nut, Self Thd Wsh Hd 1/4 Zinc
32	874760512	Bolt Hex Hd 5/16-18 Unc x 3/4	95	532170201	Control Asm. Bypass Hydro
33	872140506	Bolt Carriage 5/16-18 UNC x 3/4	96	532124788	Retainer Spring 1" Zinc/Cad
34	532155071	Shaft, Foot Pedal	144	819111016	Washer 11/32 x 5/8 x 16 Ga.
35	532120183	Bearing, Nylon	150	532165850	Bushing Bellcrank Grd Drive
36	819211616	Washer	151	819133210	Washer 13/32 x 2 x 10 Ga.
37	532124963	Pin, Roll	156	532166002	Washer Srrted 5/16ID x 1.125
38	532131494	Pulley, Idler, Flat	158	532165589	Bracket Shift Mount
39	874760644	Bolt	159	532165494	Hub Tapered Flange Shift Lt
40	532124965	Spacer Split	161	872140406	Bolt Rdhd Sqnk 1/4-20 x 3/4 Gr. 5
41	532165838	Keeper, Belt Idler Fool-Proof	162	873680400	Nut Crownlock 1/4-20 Unc
42	819131312	Washer 13/32 x 13/16 x 12 Gauge	163	874780416	Bolt Hex Fin 1/4-20 Unc x 1 Gr. 5
47	532127783	Pulley, Idler, V-Groove	164	819091010	Washer 5/8 x .281 x 10 Ga
48	532154407	Bellcrank Clutch Grnd Drv Stl	165	532165623	Bracket Pivot Lever
49	532123205	Retainer, Belt	166	532166880	Screw 5/16-18 x 5/8
50	874760624	Bolt	168	532165492	Bolt Shoulder 5/16-18 x .561
51	873680600	Nut	169	532165580	Plate Fastening Lt\
52	873680500	Nut Crown Lock 5/16-18	197	532169613	Nyliner Snap-In 5/8" ID
53	532105710	Link, Clutch	198	532169593	Washer Nyliner 7/8 ID x .105
55	532105709	Spring, Return, Clutch	199	532169612	Bolt Shoulder 5/16-18 Unc
56	874760620	Bolt	200	872140508	Bolt Rdhd Sqnk 5/16-18 Unc x 1
57	532140294	V-Belt, Ground Drive	202	872110612	Bolt Carr Sh 3/8-16 x 1-1/2 Gr.5

NOTE: All component dimensions given in U.S. inches
1 inch = 25.4 mm

REPAIR PARTS

TRACTOR - - MODEL NO. YTH170 (HFYTH170D) PRODUCT NO. 954 82 01-31
STEERING ASSEMBLY



REPAIR PARTS

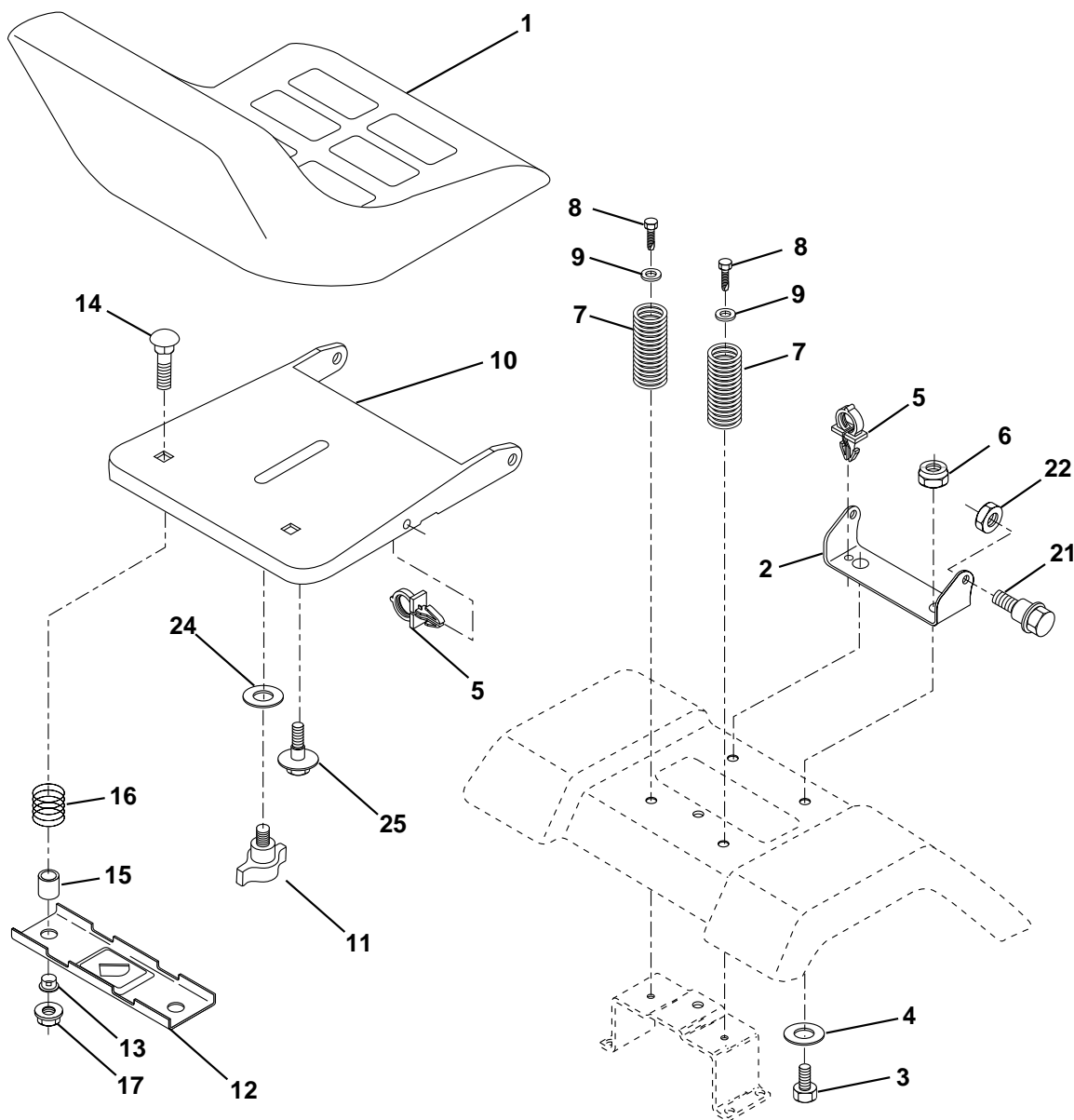
TRACTOR - - MODEL NO. YTH170 (HFYTH170D) PRODUCT NO. 954 82 01-31
STEERING ASSEMBLY

KEY NO.	PART NO.	DESCRIPTION
1	532166627	Wheel Steering
2	532165854	Axle Cast Lt Machined
3	532169840	Spindle Asm LH
4	532169839	Spindle Asm RH
5	532124931	Bearing Race Thrust Harden
6	532121748	Washer 25/32 X 1-5/8 X 16 Ga
8	812000029	Ring Klip #t5304-75
10	532169832	Link Drag
11	810040600	Washer Lock Hvy Hlcl Spr 3/8
13	532136518	Spacer Brg Axle Front
15	532145212	Nut Hex Flange Lock
17	532156546	Shaft Asm Strg
18	532057079	Washer Thrust 515x 750x 033
19	532160395	Support Shaft
22	532165857	Screw Hex WSH HD Torx
23	532165851	Shaft Asm Pittman
25	532154406	Bracket Steering
27	532136874	Gear Sector
29	817060612	Screw 3/8-16x3/4
32	532171888	Rod Tie BJ Solid
33	819111216	Washer 11/32 x 3/4 x 16 Ga.
34	810040500	Washer Lock Hvy Hlcl Spr 5/16
35	873540500	Nut Crownlock 5/16-24
36	532155099	Bushing Strg
37	532152927	Screw
38	532166626	Insert Cap Strg Wh
39	819132411	Washer 13/32 X 1-1/20 x 11 Ga
40	532124701	Lock nut
41	532159945	Adaptor Wheel Strg
42	532169634	Boot Steering Shaft
43	532121749	Washer 25/32 X 1 1/4 X 16 Ga
44	532153720	Extension Steering Shaft LR/LT
46	532121232	Cap Spindle Fr Top Blk
47	532124836	Fitting Grease
51	873800500	Nut Lock Hex w/Ins 5/16-18
54	874780520	Bolt Fin Hex 5/16-18 Unc x 1-1/4
62	532167902	Kit, Steering Assembly Svc
63	874780616	Bolt Fin Hex 3/8-16unc x 1 Gr. 5
65	532160367	Spacer Brace Axle
66	532154404	Bearing Arm Pittman
67	872140618	Bolt Rdhd Sqnk 3/8-16 x 2-1/4
68	532169827	Axle, Brace
79	819132012	Washer 13/32 x 1-1/4 x 12 Ga.
80	874950612	Bolt Hex Nylon 3/8-16 x 3/4
82	532169835	Bracket Susp Chassis Front
85	532133835	Fastener Christmas Tree

NOTE: All component dimensions given in U.S. inches.
1 inch = 25.4 mm.

REPAIR PARTS

TRACTOR - - MODEL NO. YTH170 (HFYTH170D) PRODUCT NO. 954 82 01-31
SEAT ASSEMBLY



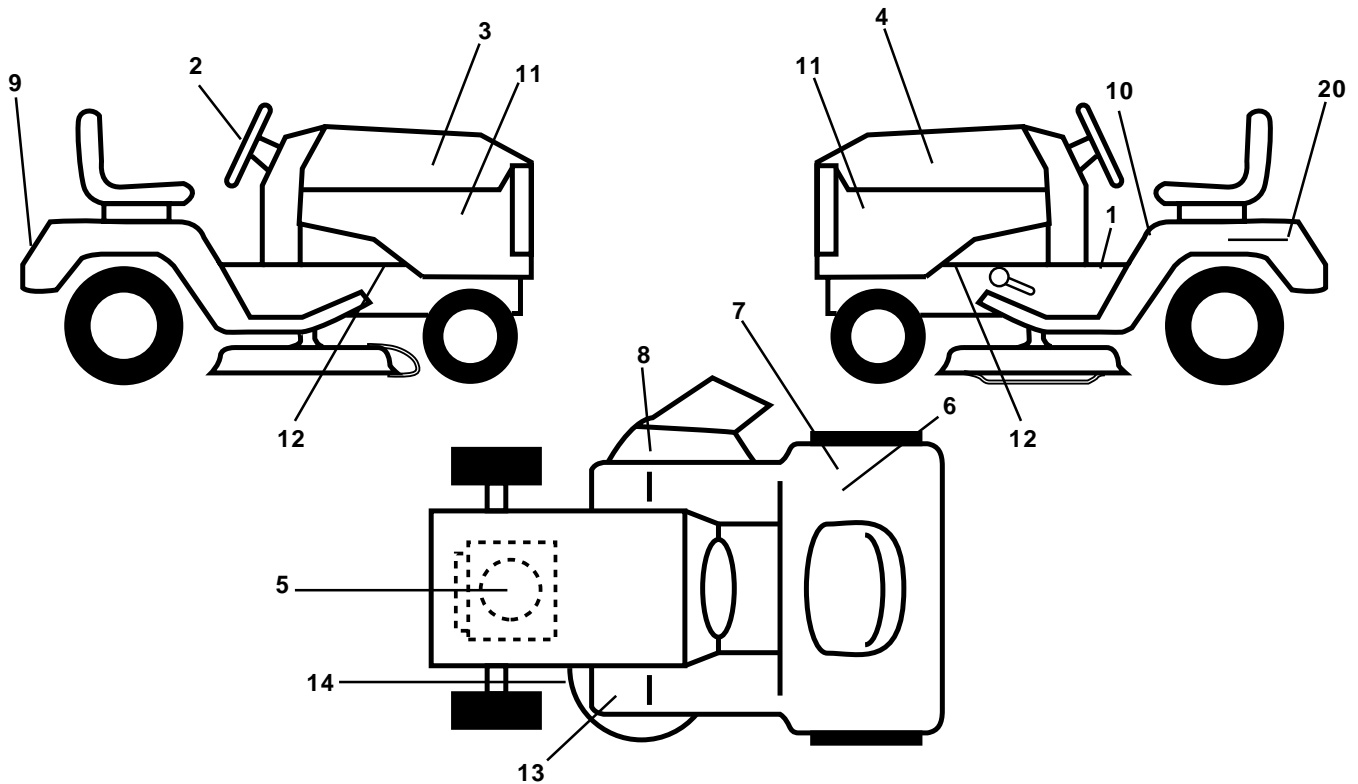
KEY NO.	PART NO.	DESCRIPTION
1	532140840	Seat
2	532140551	Bracket Pivot Seat 8 720
3	871110616	Bolt Fin Hex 3/8-16unc X 1
4	819131610	Washer 13/32 X 1 X 10 Ga
5	532145006	Clip Push-In
6	873800600	Nut Lock 3/8-16 Unc
7	532124181	Spring Seat Cprsn 2 250 Blk Zi
8	817000616	Screw 3/8-16 X 1-1/2
9	819131614	Washer 13/32 X 1 X 14 Ga.
10	532155925	Pan Seat
11	532166369	Knob Seat

KEY NO.	PART NO.	DESCRIPTION
12	532121246	Bracket Mounting Switch
13	532121248	Bushing Snap Blk Nyl 50 Id
14	872050412	Bolt Rdhd Sht Nk 1/4-20x1-1/2
15	532121249	Spacer Split 28 x 88 Zinc
16	532123740	Spring Cprsn
17	532123976	Nut Lock 1/4 Lge Flg Gr 5 Zinc
21	532171852	Bolt Shoulder 5/16-18 Unc-2A
22	873800500	Nut Hex Lock W/Ins 5/16-18
24	819171912	Washer 17/32 X 1-3/16 X 12 Ga.
25	532127018	Bolt Shoulder 5/16-18 X 62

NOTE: All component dimensions given in U.S. inches.
1 inch = 25.4 mm

REPAIR PARTS

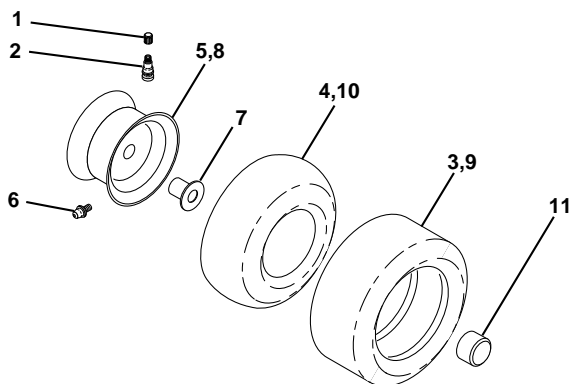
TRACTOR - - MODEL NO. YTH170 (HFYTH170D) PRODUCT NO. 954 82 01-31
DECALS



KEY NO.	PART NO.	DESCRIPTION
1	532140837	Decal Saddle Parking
2	532170564	Decal Wheel Steering
3	532162849	Decal Hood RH
4	532162851	Decal Hood LH
5	532170856	Decal HP Engine
6	532126187	Decal 100 DBA
7	532145437	Decal Europe Stand CE
8	532145494	Decal Mower Cut/Finger
9	532150617	Decal Fender Husq
10	532145498	Decal Read Owner's Man Syms
11	532159713	Decal Panel Side B & S Logo
12	532159736	Decal Chassis Hot Muffler
13	532159737	Decal Brake/Clutch Symbol LT

KEY NO.	PART NO.	DESCRIPTION
14	532160396	Decal V-Belt Schematic
20	532145005	Decal Bat Dan/Psn
--	532169210	Decal By Pass Lt Hydro
--	532171284	Pad Footrest LH STLT
--	532171285	Pad Footrest RH STLT
--	532138311	Decal Handle Lft Height Adjust
--	532171891	Manual Operator's (Euro)
--	532171892	Manual Operator's (Scand)
--	532162598	Decal Drawbar Load Limit
Available accessories not included with tractor:		
--	MK420	Mulch Kit w/Blades
--	C42	Grass Catcher

WHEELS & TIRES

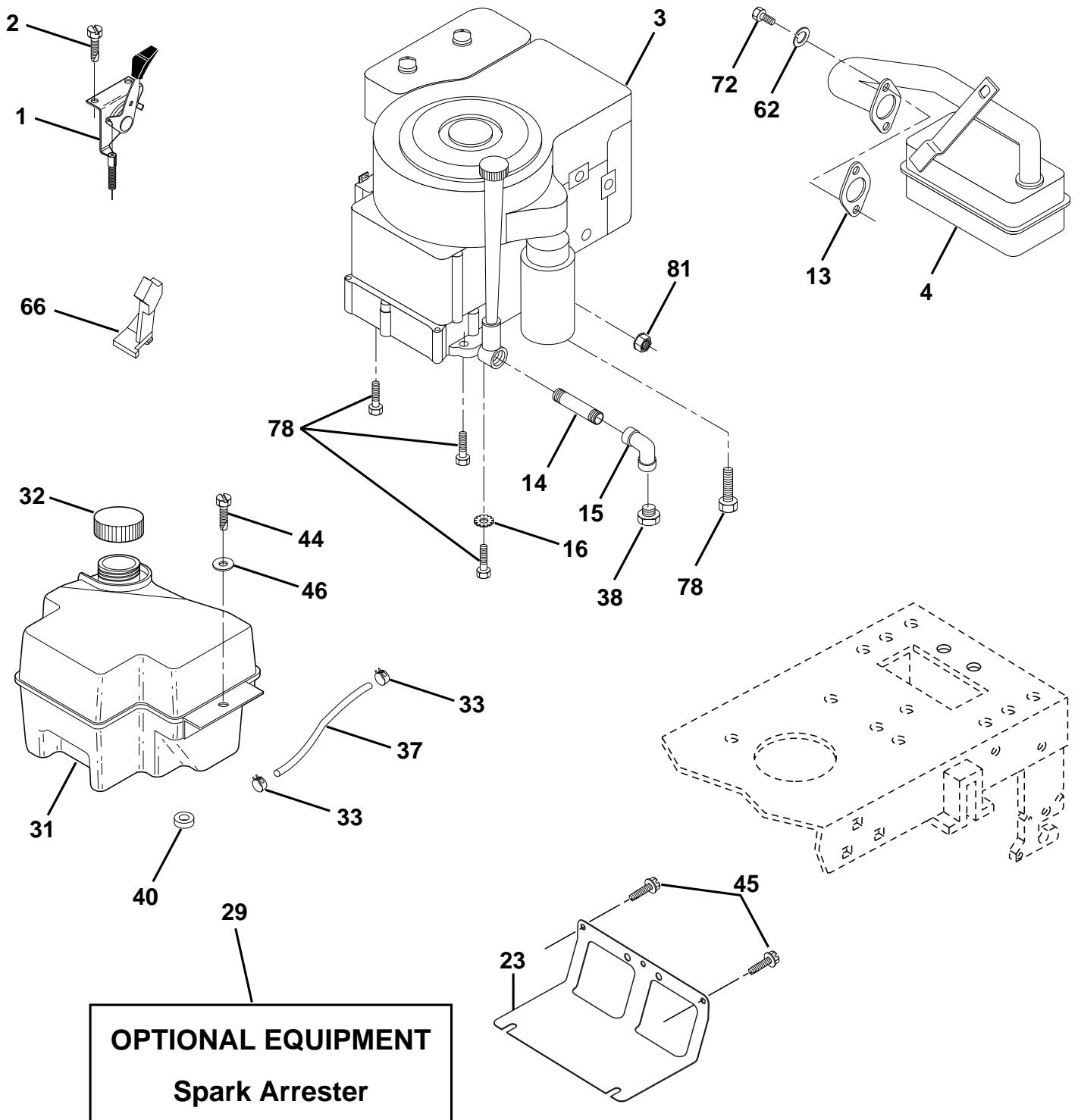


KEY NO.	PART NO.	DESCRIPTION
1	532059192	Cap Valve Tire
2	532065139	Stem Valve
3	532106222	Tire F Ts 15 X 60 - 6 Service
4	532059904	Tube Front (Service Item Only)
5	532138336	Rim Asm 6"front
6	532124957	Fitting Grease (Front Wheel Only)
7	532124959	Bearing Flange (Front Wheel Only)
8	532138337	Rim Asm 8"rear
9	532122082	Tire R Ts 20 x 10-8 C Service
10	532124926	Tube Rear (Service Item Only)
11	532104757	Cap Axle Blk 1 50 X 1 00
--	532144334	Sealant, Tire (10 oz. Tube)

NOTE: All component dimensions given in U.S. inches
1 inch = 25.4 mm

REPAIR PARTS

TRACTOR - - MODEL NO. YTH170 (HFYTH170D) PRODUCT NO. 954 82 01-31
ENGINE



REPAIR PARTS

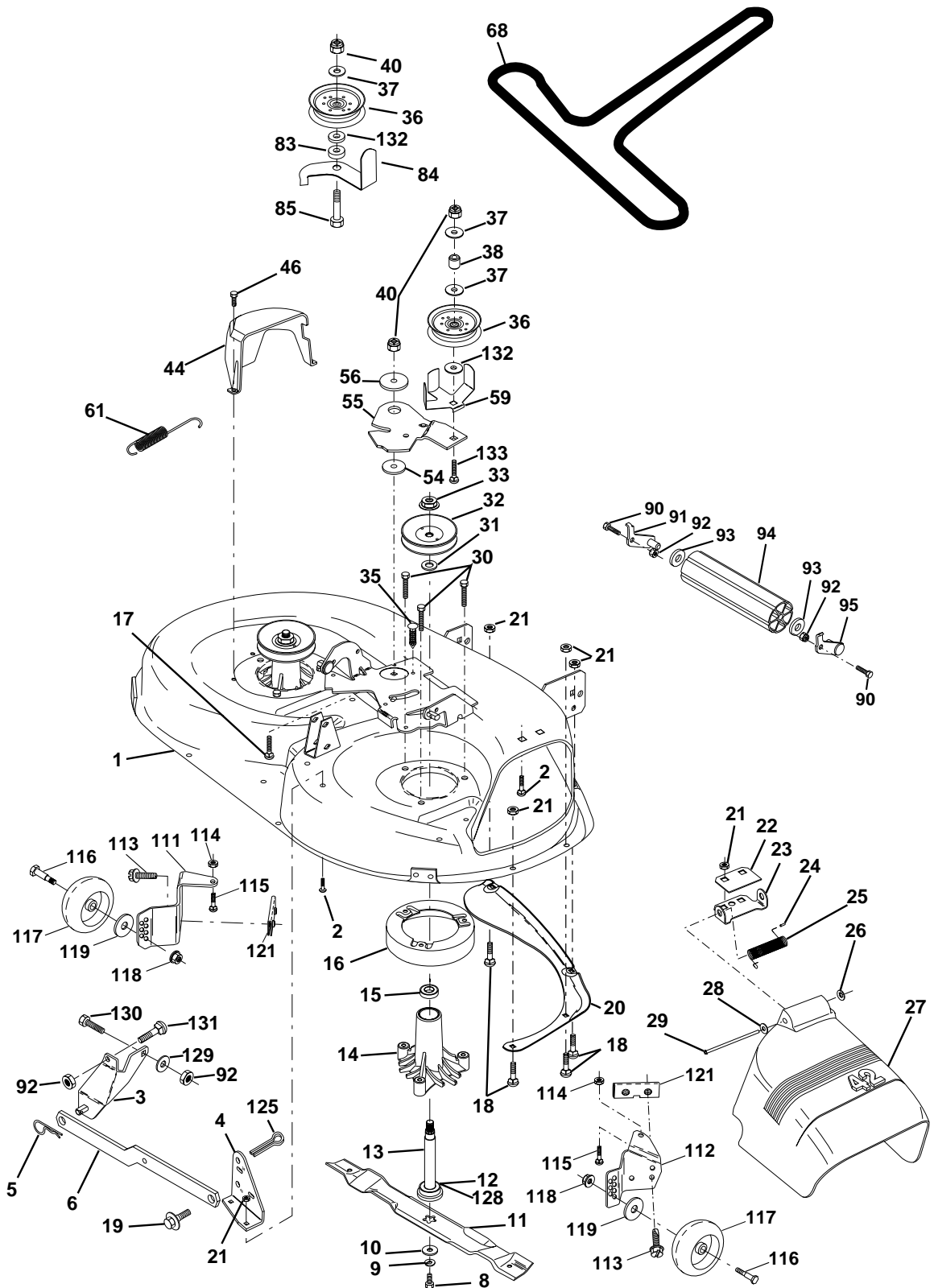
TRACTOR - - MODEL NO. YTH170 (HFYTH170D) PRODUCT NO. 954 82 01-31
ENGINE

KEY NO.	PART NO.	DESCRIPTION
1	532141359	Control Th/ch 20.22 LH Flag
2	817720410	Screw Hex Thd Cut 1/4-20x5/8 T
3	-----	Engine, Briggs Model 311777 (Order parts from engine manufacturer)
4	532137352	Muffler LT B&S 15 HP IC OHV
13	532165291	Gasket
14	813280324	Nipple Pipe 3/8 Npt X 3"
15	813200300	Elbow Std 90 Degree 3/8-18 Npt
16	811050600	Washer Lock Ext Tooth 3/8
23	532169837	Shield Browning/Debris Guard
29	532137180	Kit Spark Arrestor (Flat Scrn)
31	532161911	Tank Fuel Front 2 00
32	532140527	Cap Asm Fuel W/sym Vented
33	532123487	Clamp Hose Black
37	532137040	Line Fuel 20"
38	-----	Plug Oil Drain (Order From Engine Manufacturer)
40	532124028	Bushing Snap Nyl Blk Fuel Line
44	817670412	Screw Hexwsh Thdrol 1/4-20x3/4
45	817000612	Screw Hexwsh Thdr 3/8-16 x 3/4
46	819091416	Washer 9/32 X 7/8 X 16 Ga
62	810040500	Washer Lock Hvy Hlcl Spr 5/16
66	532127951	Stop Throttle
72	871070512	Screw Hexhd Cap 5/16-18x 3/4
78	817060620	Screw 3/8-16x1-1/4
81	873510400	Nut Keps Hex 1/4-20 Unc

NOTE: All component dimensions given in U.S. inches
1 inch = 25.4 mm

REPAIR PARTS

TRACTOR - - MODEL NO. YTH170 (HFYTH170D) PRODUCT NO. 954 82 01-31
MOWER DECK



REPAIR PARTS

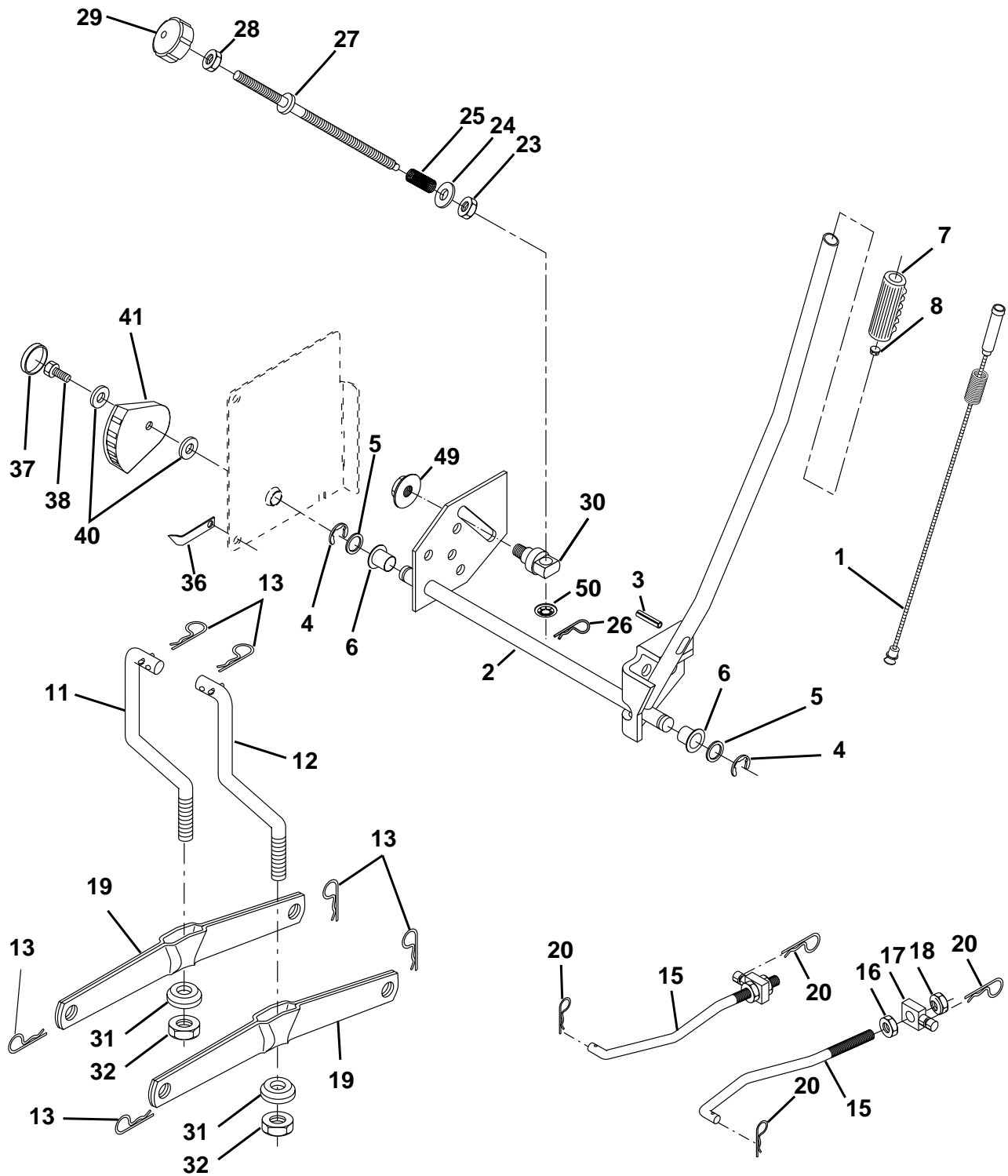
TRACTOR - - MODEL NO. YTH170 (HFYTH170D) PRODUCT NO. 954 82 01-31
MOWER DECK

KEY NO.	PART NO.	DESCRIPTION	KEY NO.	PART NO.	DESCRIPTION
1	532164961	Housing Asm Mower 42"94 T-Path	55	532140084	Arm Idler 42"mower LT/YT
2	872140506	Bolt Rdhd Sqnk 5/16-18unc X3/4	56	532165723	Spacer Retainer Mower
3	532138017	Bracket Asm Fr Sway Bar 38/42	59	532141043	Guard, Belt
4	532138440	Bracket Asm Deck 42"sway Bar	61	532131950	Spring Ext. Elect
5	532124670	Retainer Spring	68	532144200	V-Belt Mower
6	532130832	Arm Suspension Rear	83	532120958	Washer Sintered
8	532850857	Bolt 3/8-24x1 25 Gr8 Patched	84	532156084	Keeper Belt Idler
9	810030600	Washer Lock Hvy 3/8 Unplated	85	872140620	Bolt Carriage 3/8-16 x 2-1/2
10	532140296	Washer Hard Blade Mower Vented	90	874760616	Bolt Fin Hex 3/8-16unc X 1
11	532138498	Blade Mower High Lift"	91	532132274	Bracket Asm Noseroller LH
12	532129895	Bearing Ball #6204 (Mandrel)	92	873800600	Nut Lock Hex w/ins. 3/8-16 UNC
13	532137645	Shaft Asm W/lower Bearing	93	819171416	Washer 17/32 X 7/8 X 16 Ga
14	532128774	Housing Mandrel Vented(machd)	94	532132264	Roller Nose 38 & 42
15	532110485	Bearing Ball Mandrel	95	532132273	Bracket Asm Noseroller RH
16	532140329	Stripper Round Mower	111	532155197	Bracket Gauge Wheel Lh
17	872110618	Bolt Rdhd Sqnk 3/8-16 X 2-1/4	112	532155198	Bracket Gauge Wheel Rh
18	872140505	Bolt Carr 5/16-18 X 5/8	113	817060512	Screw 5/16-18 x 3/4
19	532132827	Bolt Shoulder	114	873510500	Nut Keps 5/16-18 UNC
20	532159770	Baffle Vortex 42	115	872110504	Bolt Carriage 5/16-18unc x 1/2
21	873680500	Nut Crown Lock 5/16-18	116	532124842	Bolt Shoulder
22	532134753	Stiffener Bracket 42"deck	117	532165746	Wheel Gauge
23	532131267	Bracket Deflector Mower 42"	118	873930600	Nut Centerlock 3/8-16 UNC
24	532105304	Cap Sleeve 80x 112 Blk Mower	119	819121414	Washer 3/8 x 7/8 x 14 Ga.
25	532123713	Spring Torsion Deflector 2 52	121	532143723	Bracket Extruded Gauge Wheel
26	532110452	Nut Push Phos & Oil	125	876020816	Cotter Pin
27	532171859	Shield Deflector	128	532153390	Washer Felt
28	819111016	Washer 11/32 X 5/8 X 16 Ga	129	819131312	Washer 13/32 x 13/16 x 12 Ga.
29	532131491	Rod Hinge 42"6 75 Wlg	130	874780616	Bolt Fin Hex 3/8-16 UNC x 1 Gr. 5
30	532157722	Screw Thd Rolling Washer Head	131	872140608	Bolt Rdhd Sqnk 3/8-16 UNC x1
31	532129963	Washer Spacer Mower Vented	132	819132203	Washer 13/32 x 1-3/8 x 3 Ga.
32	532153535	Pulley Mandrel	133	872110622	Bolt Rdhd 3/8-16 Unc x 2-3/4 Gr. 5
33	532137266	Nut 9/16top Lock Flng Cntr	--	532164964	Deck Serv 42" Elec Vent (Standard Deck - Order Nose Roller and Gauge Wheel components separately Key Nos. 90-95 and 111-121)
35	532133835	Fastner Christmas Tree	--	532130794	Mandrel Assembly (Includes Key Numbers 8-10, 12-15, 31 and 33)
36	532131494	Pulley Idler Flat 3 060			
37	819131316	Washer 13/32 X 13/16 X 16 Ga			
38	532132823	Spacer Spring Stop Idler			
40	873680600	Nut Lock 3/8-16 Unc			
44	532140088	Guard Mandrel LH Black			
46	532137729	Screw Thdrol 1/4-20x5/8			
54	532133943	Washer Hardened			

NOTE: All component dimensions given in U.S. inches
1 inch = 25.4 mm

REPAIR PARTS

TRACTOR - - MODEL NO. YTH170 (HFYTH170D) PRODUCT NO. 954 82 01-31
MOWER LIFT



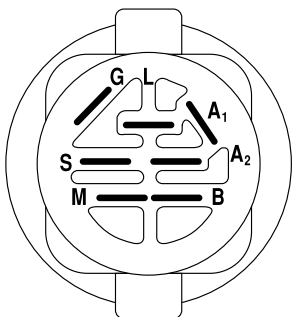
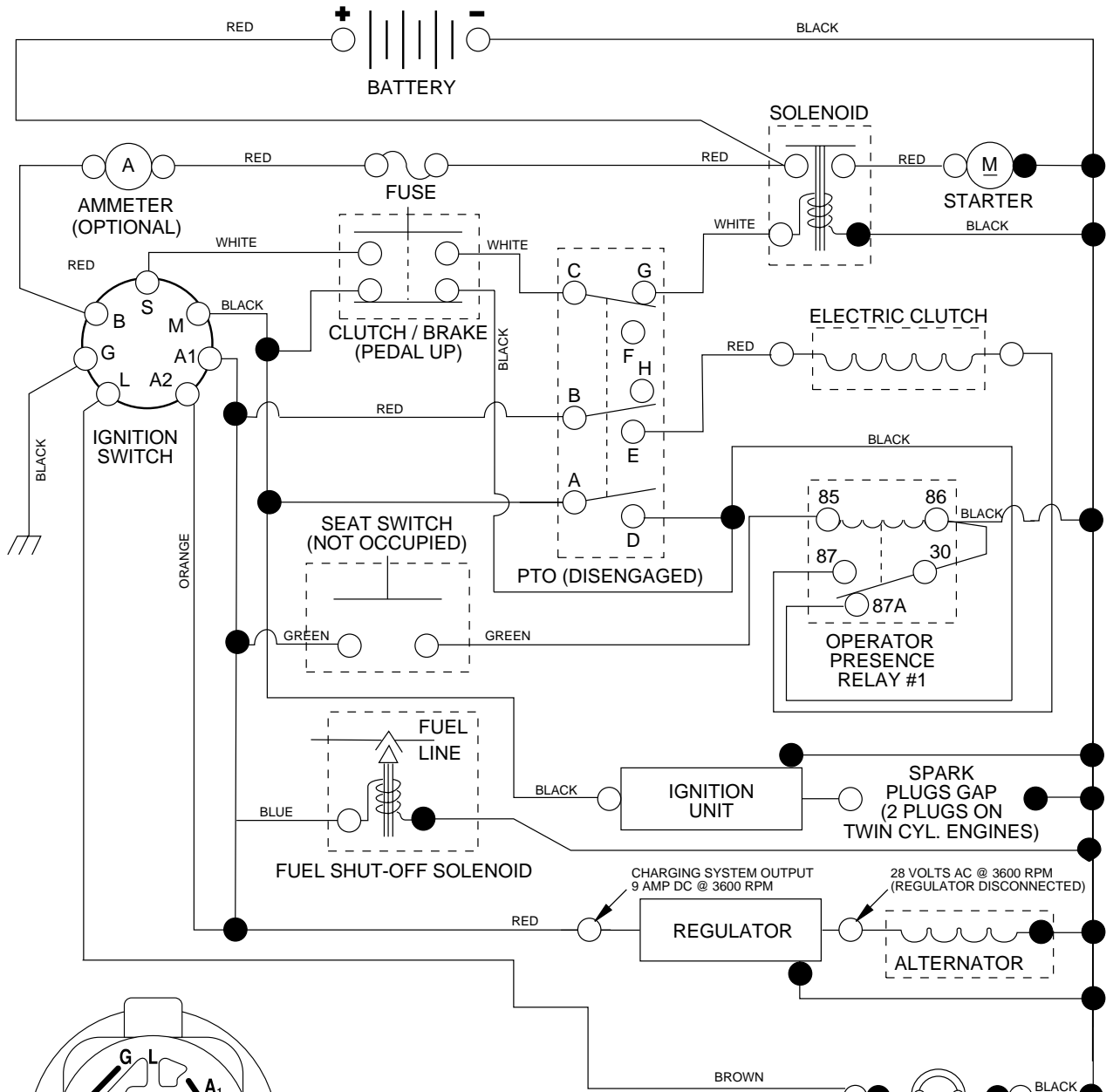
REPAIR PARTS

TRACTOR - - MODEL NO. YTH170 (HFYTH170D) PRODUCT NO. 954 82 01-31
MOWER LIFT

KEY NO.	PART NO.	DESCRIPTION
1	532159460	Wire Asm Inner W/plunger 17 32
2	532159471	Shaft Asm Lift LH Inf Hgt P/L
3	532105767	Pin Groove 1 500 Zinc
4	812000002	E Ring#5133-62
5	819211621	Washer 21/32 X 1 X 21 Ga
6	532120183	Bearing Nylon Blk 629 Id
7	532125631	Grip Handle
8	532124526	Button Plunger Black
11	532139865	Link Lift LH
12	532139866	Link Lift RH
13	532124670	Retainer Spring
15	532173288	Link Front
16	873350800	Nut Jam Hex 1/2-13 Unc
17	532130171	Trunnion Blk Zinc
18	873800800	Nut Lock W/wsh 1/2-13unc
19	532139868	Arm Suspension Rear
20	532163552	Retainer Spring
23	532110807	Nut Special
24	819131016	Washer 13/32 X 5/8 X 16 Ga
25	532124874	Spring 2-1/8"
26	532169484	Retainer Clip
27	532126971	Rod Adj Lift Zinc 7 49 Wrk Lg
28	873350600	Nut Hex Jam 3/8-16 Unc
29	532138057	Knob Inf 3/8-16 Unc Blk W/sym
30	532150233	Trunnion Inf Height
31	532140302	Bearing pvt. Lift Spherical
32	873540600	Nut Crownlock 3/8-24
36	532155097	Pointer pnt Height Ind.
37	532123935	Plug hole Blk 1.485/1.515 Dia
38	817060516	Screw 5/16-18 x 1
40	819112410	Washer 11/32 x 1-1/2 10 Ga
41	532155098	Indicator Height
49	532145212	Nut Hex Flange Lock
50	532110452	Push Nut

NOTE: All component dimensions given in U.S. inches
1 inch = 25.4 mm

TRACTOR - - MODEL NO. YTH170 (HFYTH170D) PRODUCT NO. 954 82 01-31 SCHEMATIC



IGNITION SWITCH

POSITION	CIRCUIT	"MAKE"
OFF	M+G+A1	NONE
RUN/LIGHT	B+A1	A2+L
RUN	B+A1	NONE
START	B + S + A1	NONE

WIRING INSULATED CLIPS
NOTE: IF WIRING INSULATED CLIPS WERE REMOVED FOR SERVICING OF UNIT, THEY SHOULD BE REPLACED TO PROPERLY SECURE YOUR WIRING.

PTO SWITCH

POSITION	CIRCUIT
OFF	C + G, B + H
ON	C + F, B + E, A + D

