

322C, L, R

325C, C-X, L-X, R-X

325L, L-XT, R-XT

325RJ-X

Spare parts

Ersatzteile

Pièces détachées

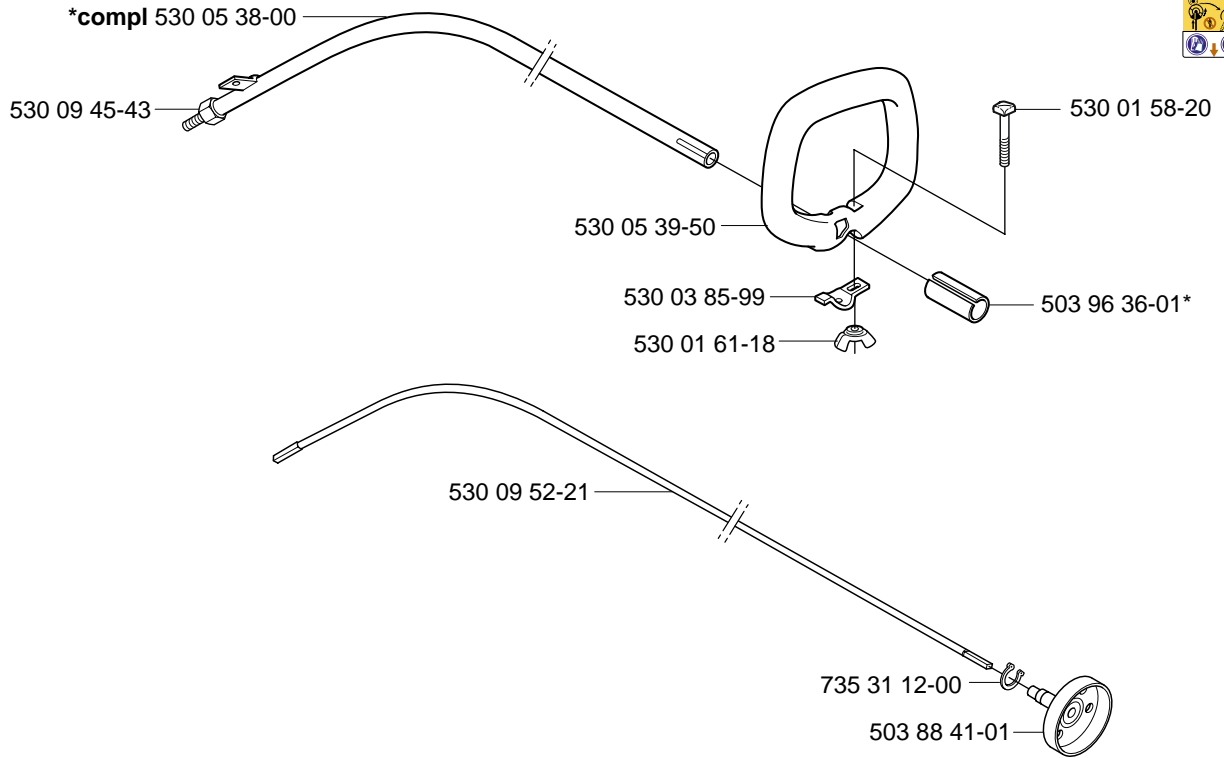
Reserve onderdelen

Repuestos

Reservdelar

A 322 C

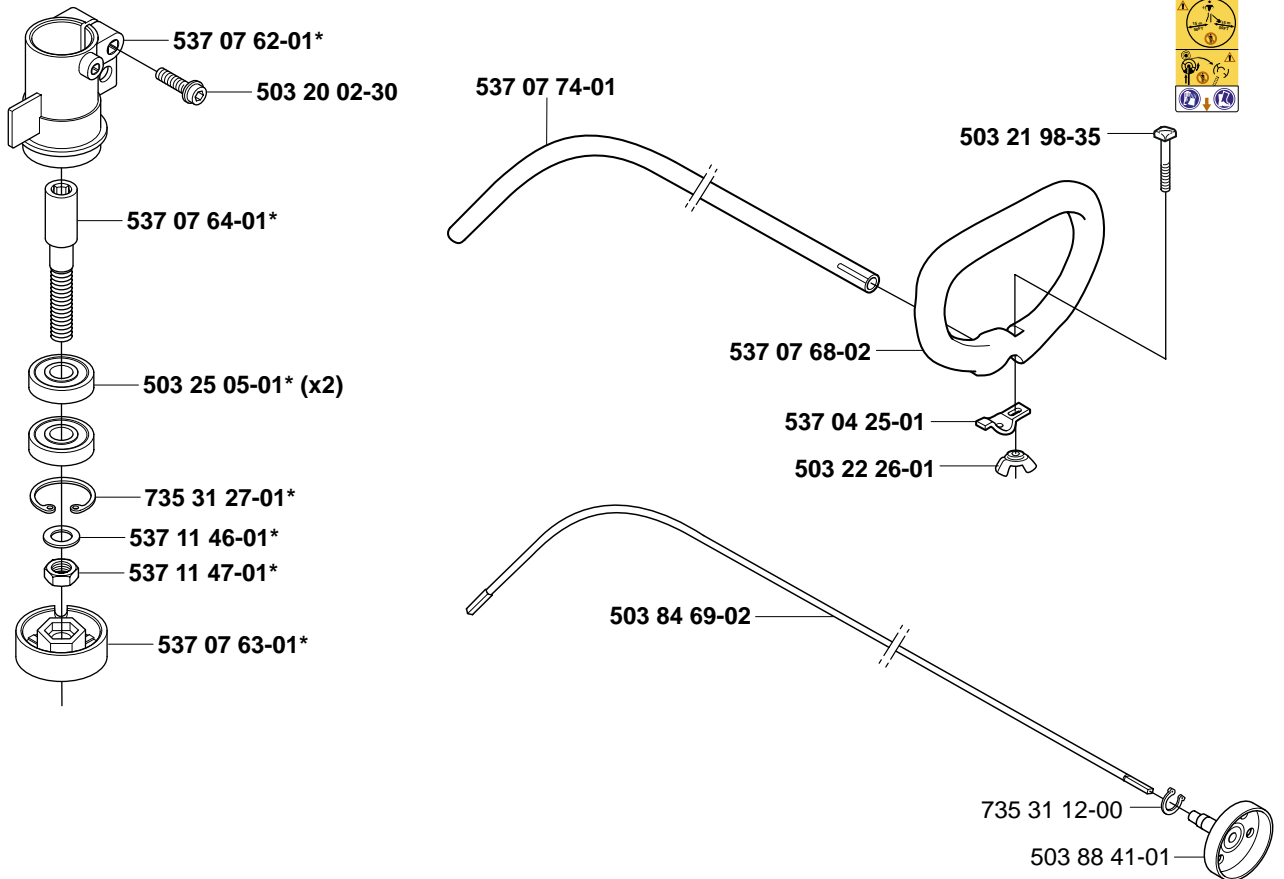
503 79 56-01 537 02 76-03



325 C-X

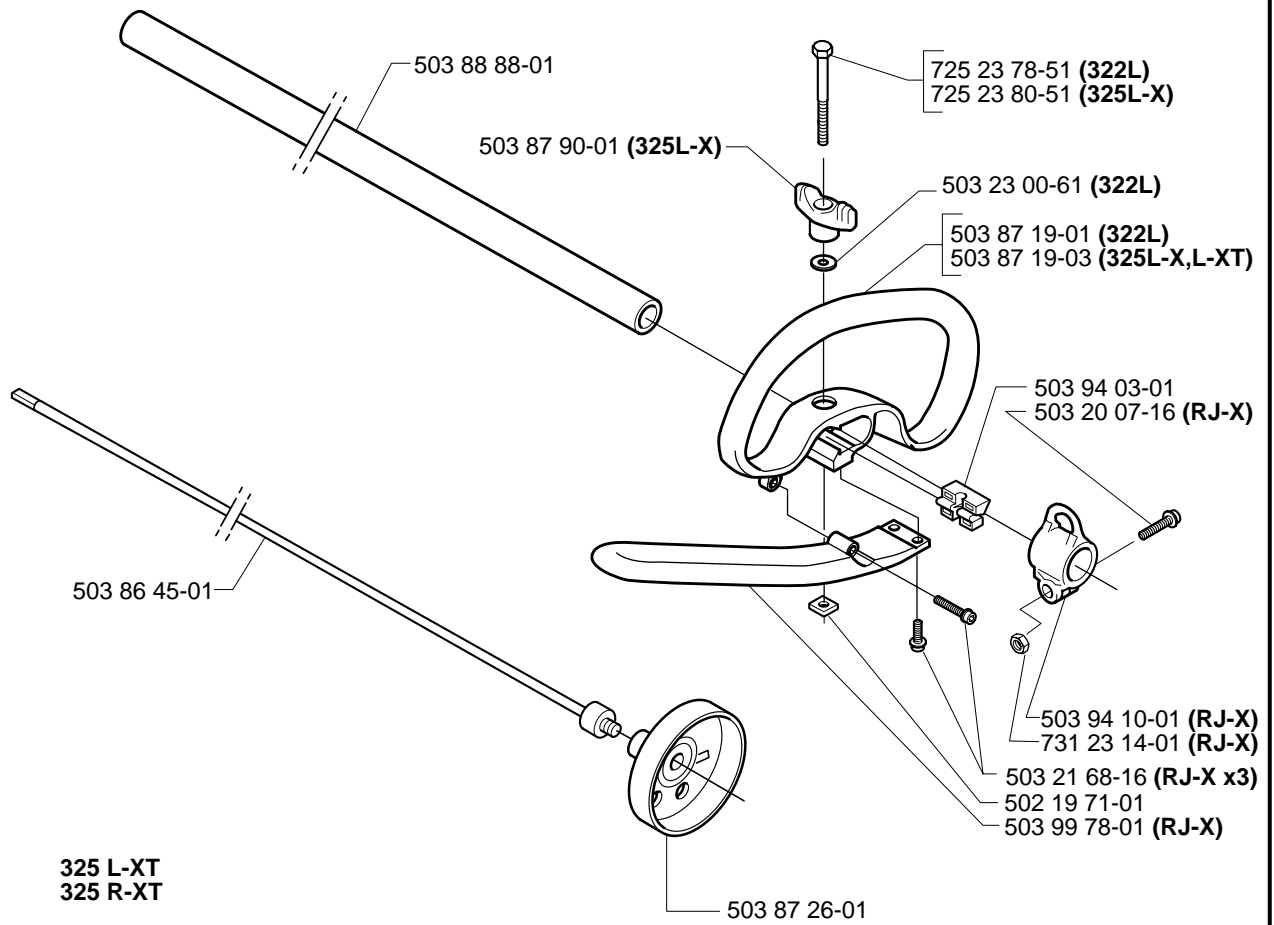
*compl 537 07 65-01

503 79 56-01 537 02 76-03

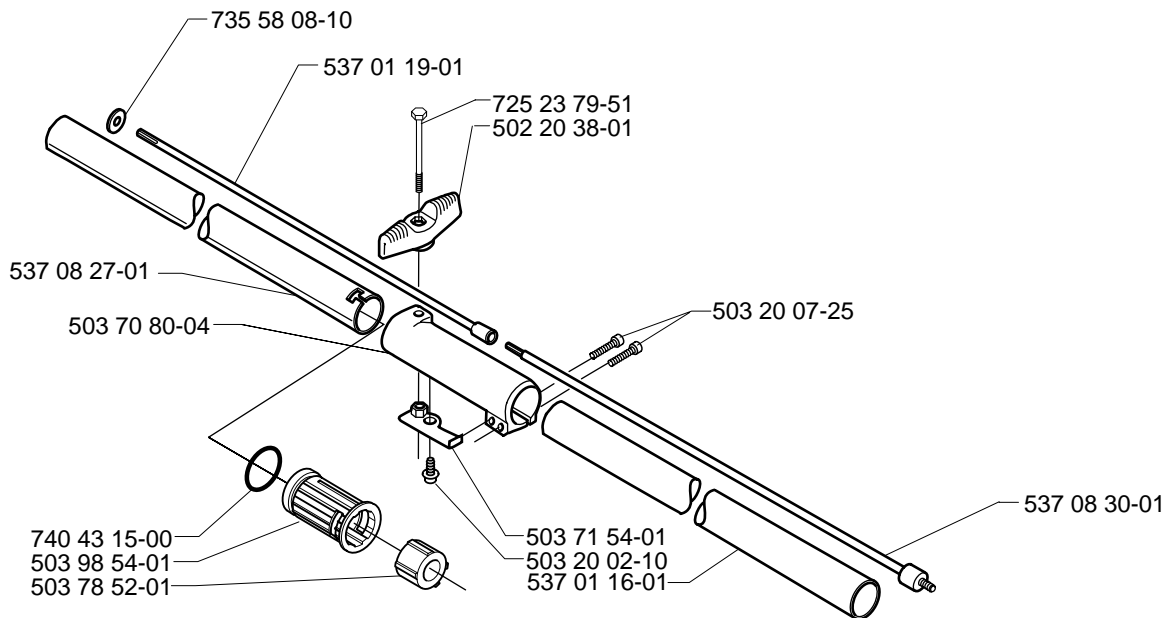


B

322 L
325 L-X
325 RJ-X



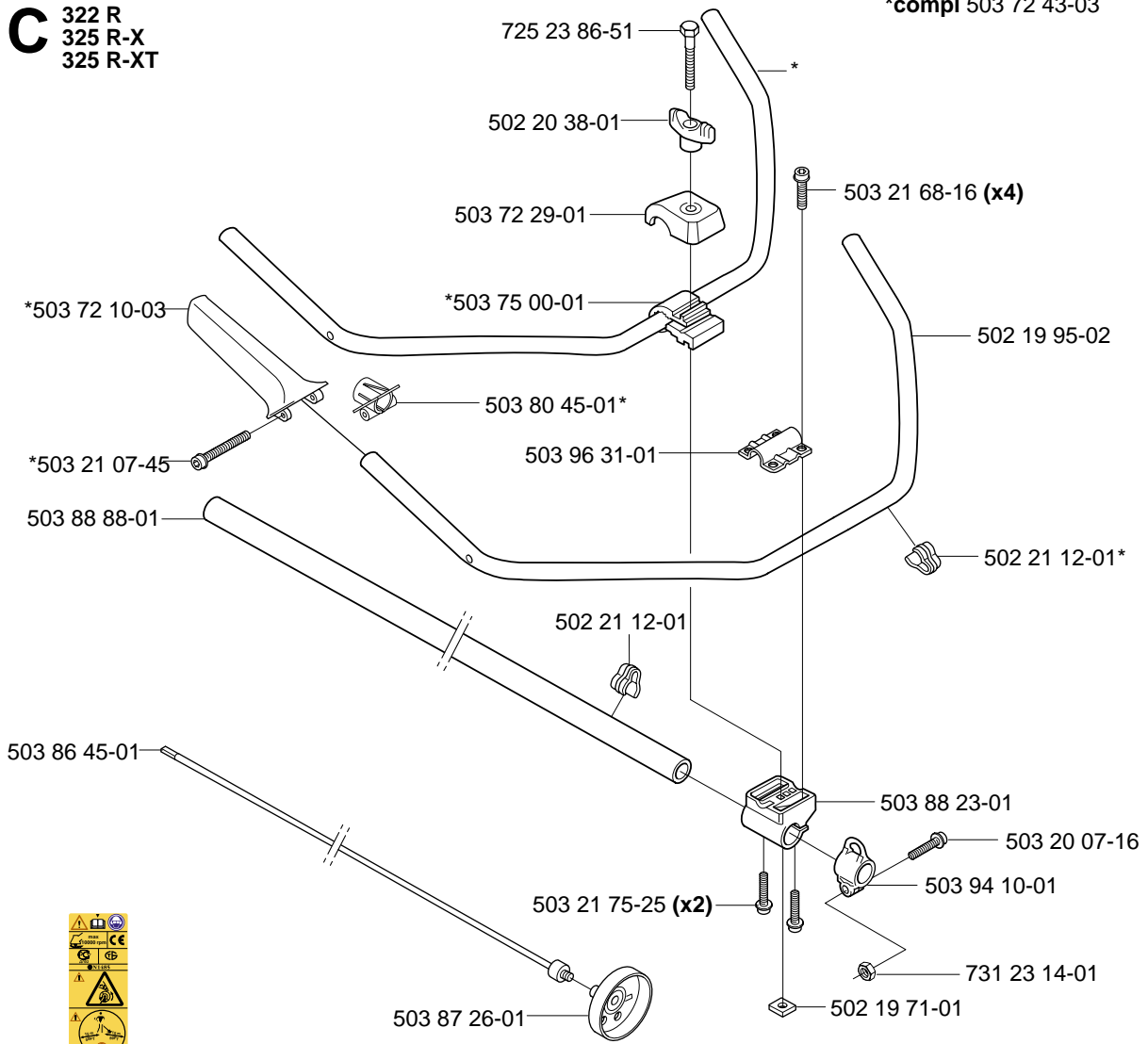
325 L-XT
325 R-XT



537 10 10-01 (RJ-X) 503 79 56-01 (L/L-X/L-XT) 537 02 76-01

C 322 R
325 R-X
325 R-XT

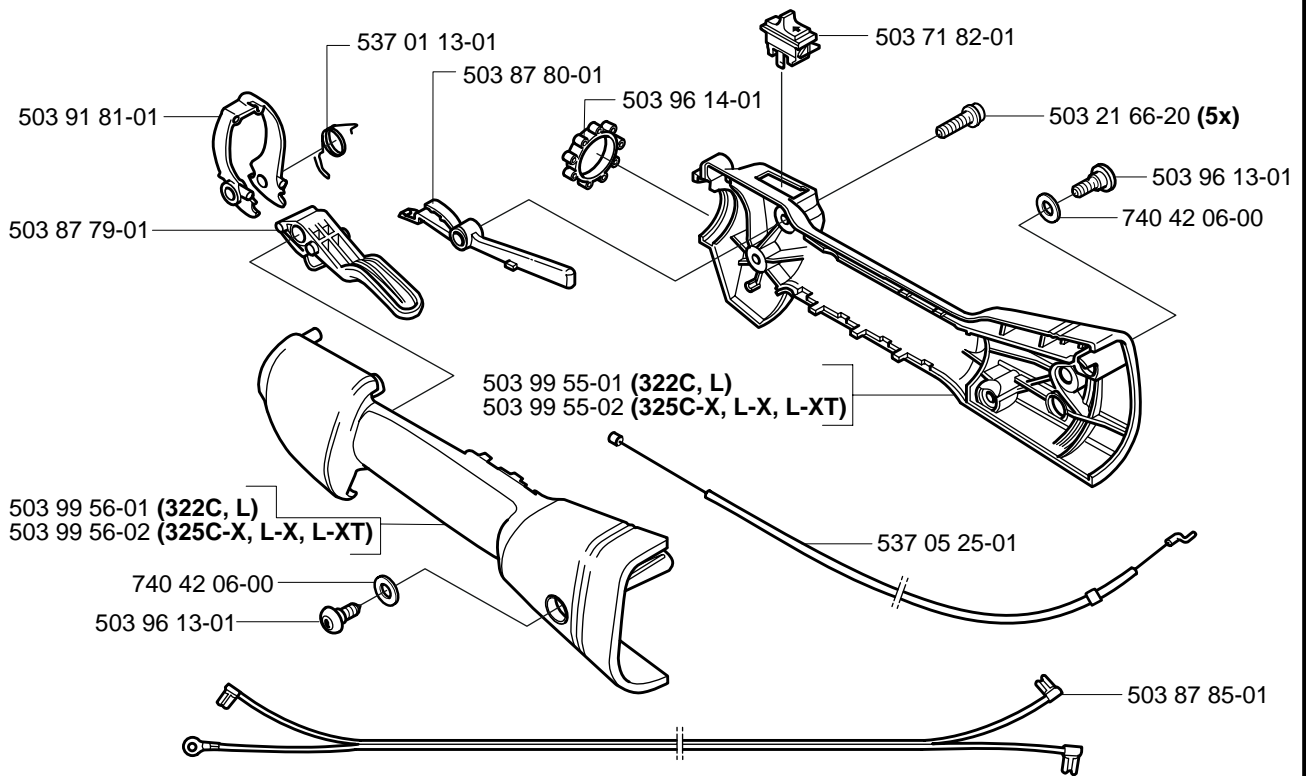
*compl 503 72 43-03



537 02 76-01

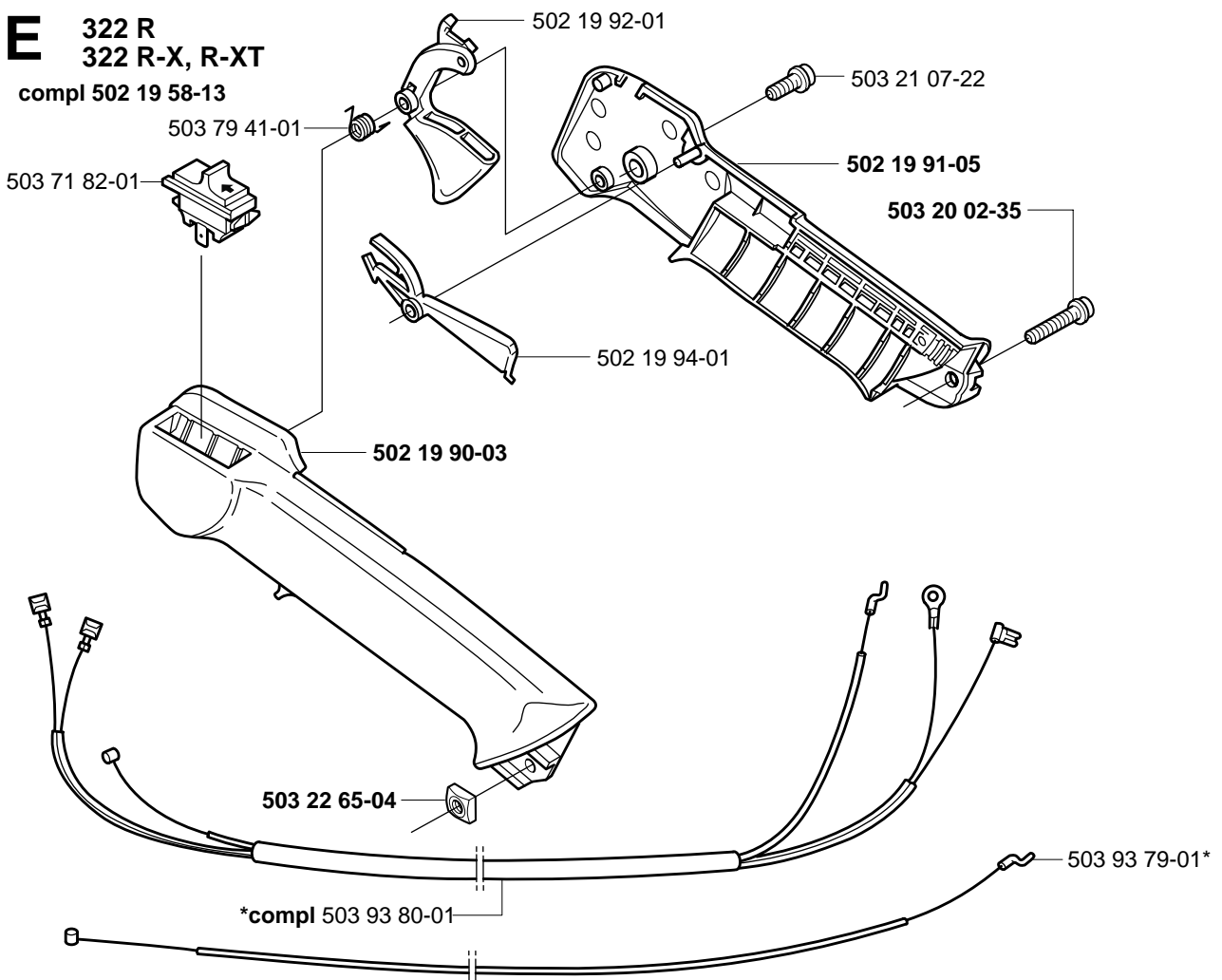
D

322 C
325 C-X
322 L
325 L-X
325 L-XT



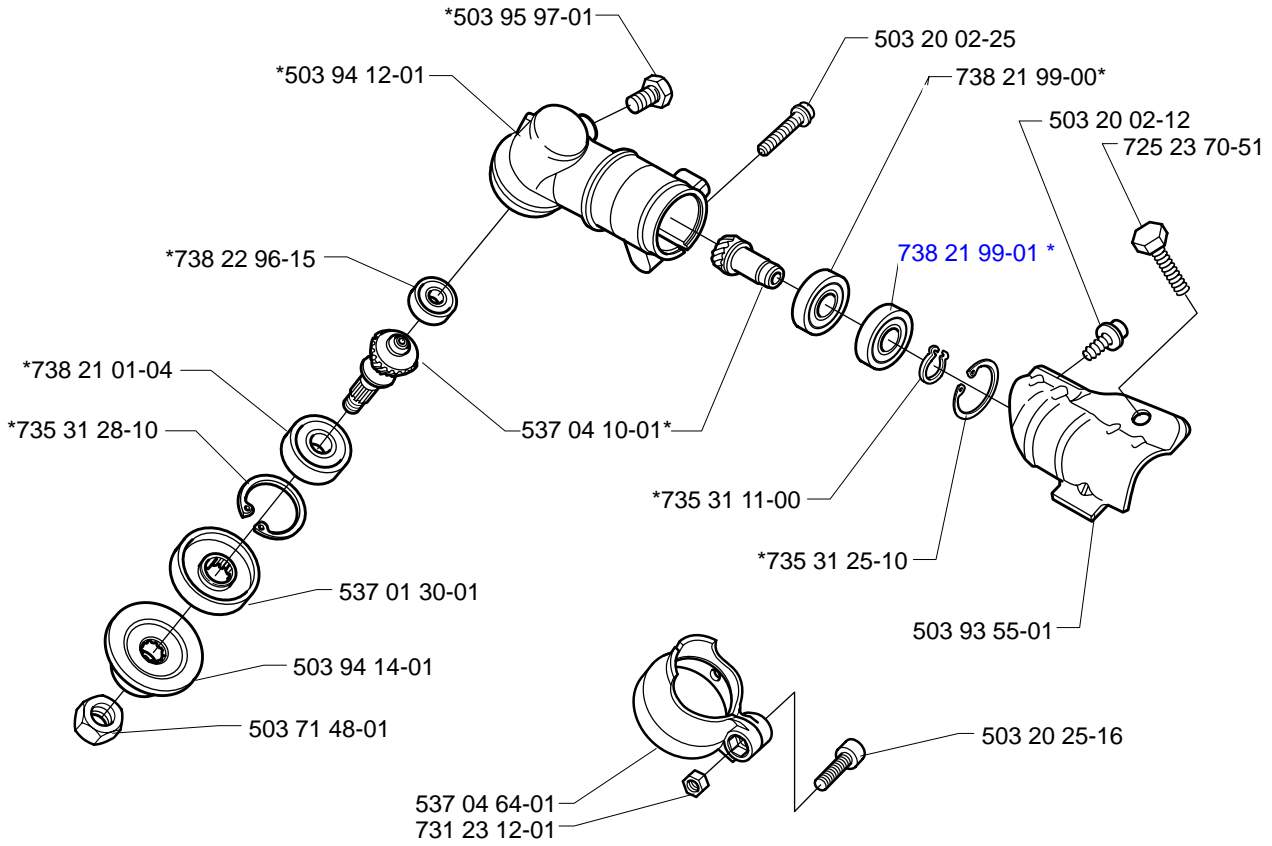
E

322 R
322 R-X, R-XT
compl 502 19 58-13

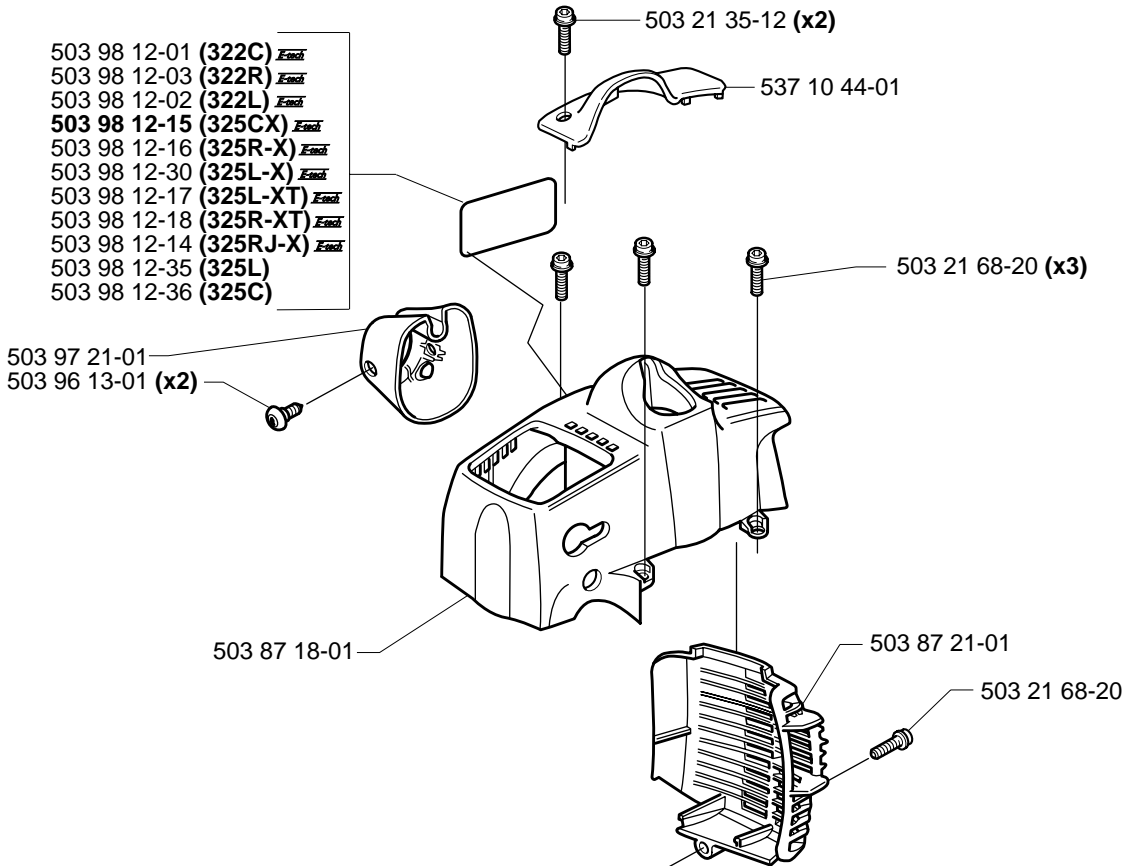


F

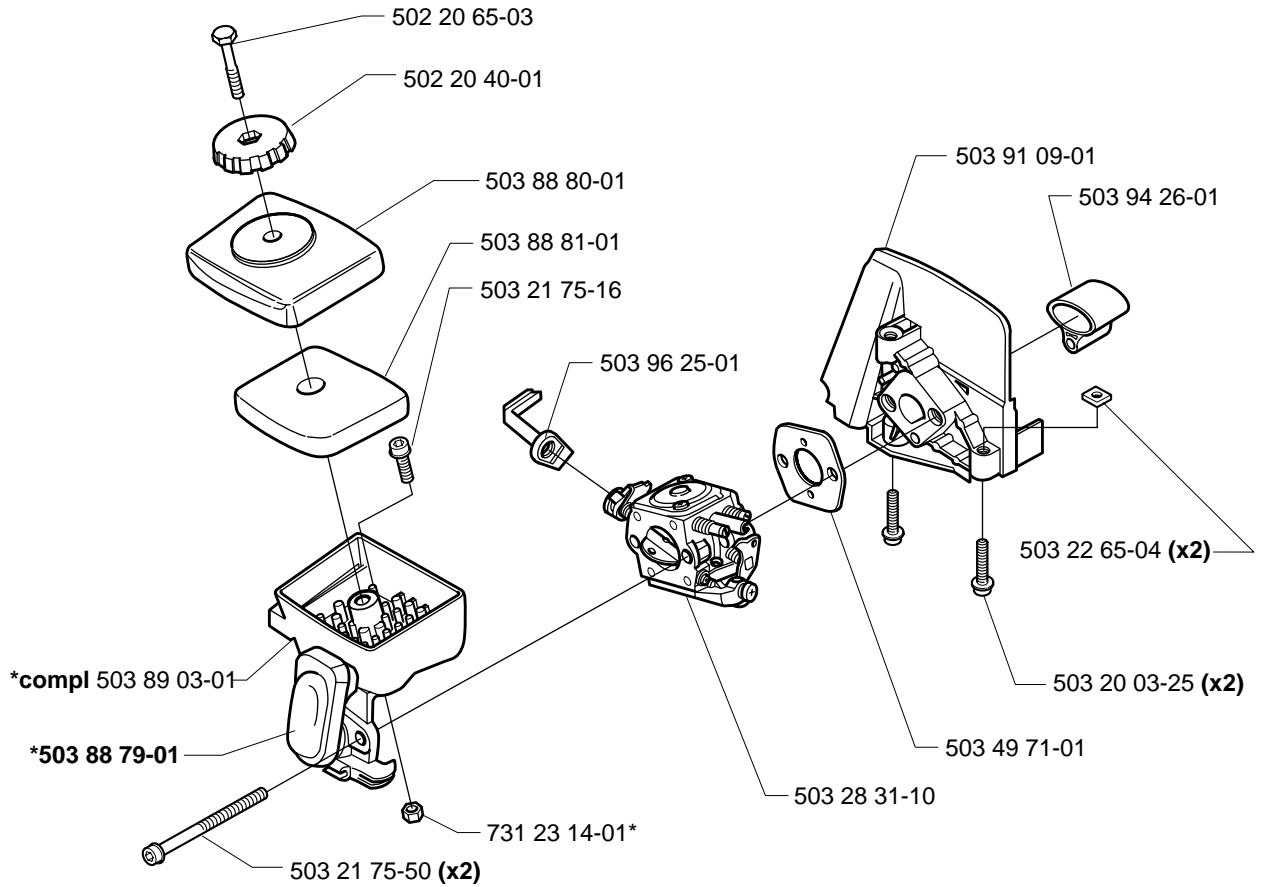
*compl 503 94 11-01



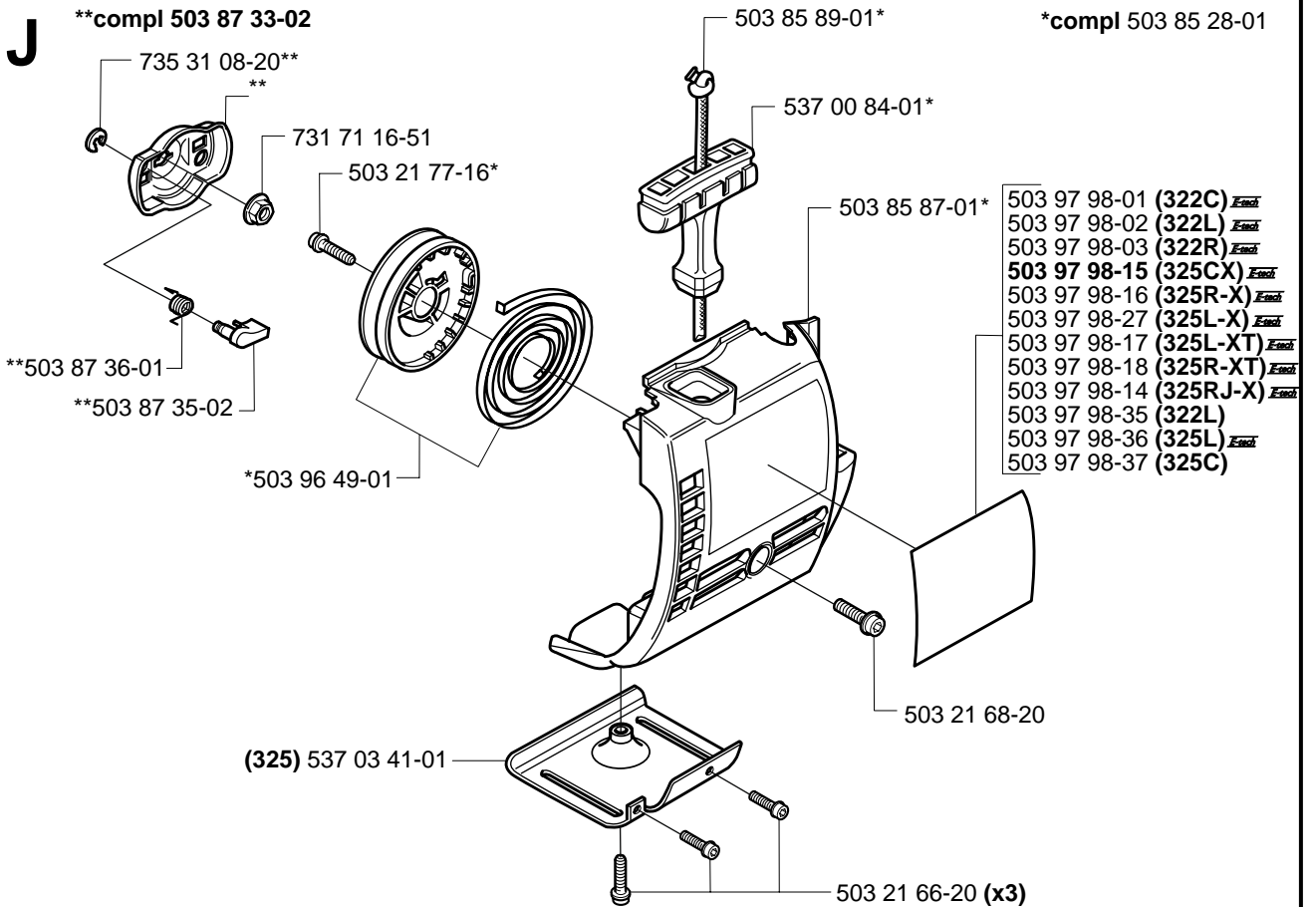
G



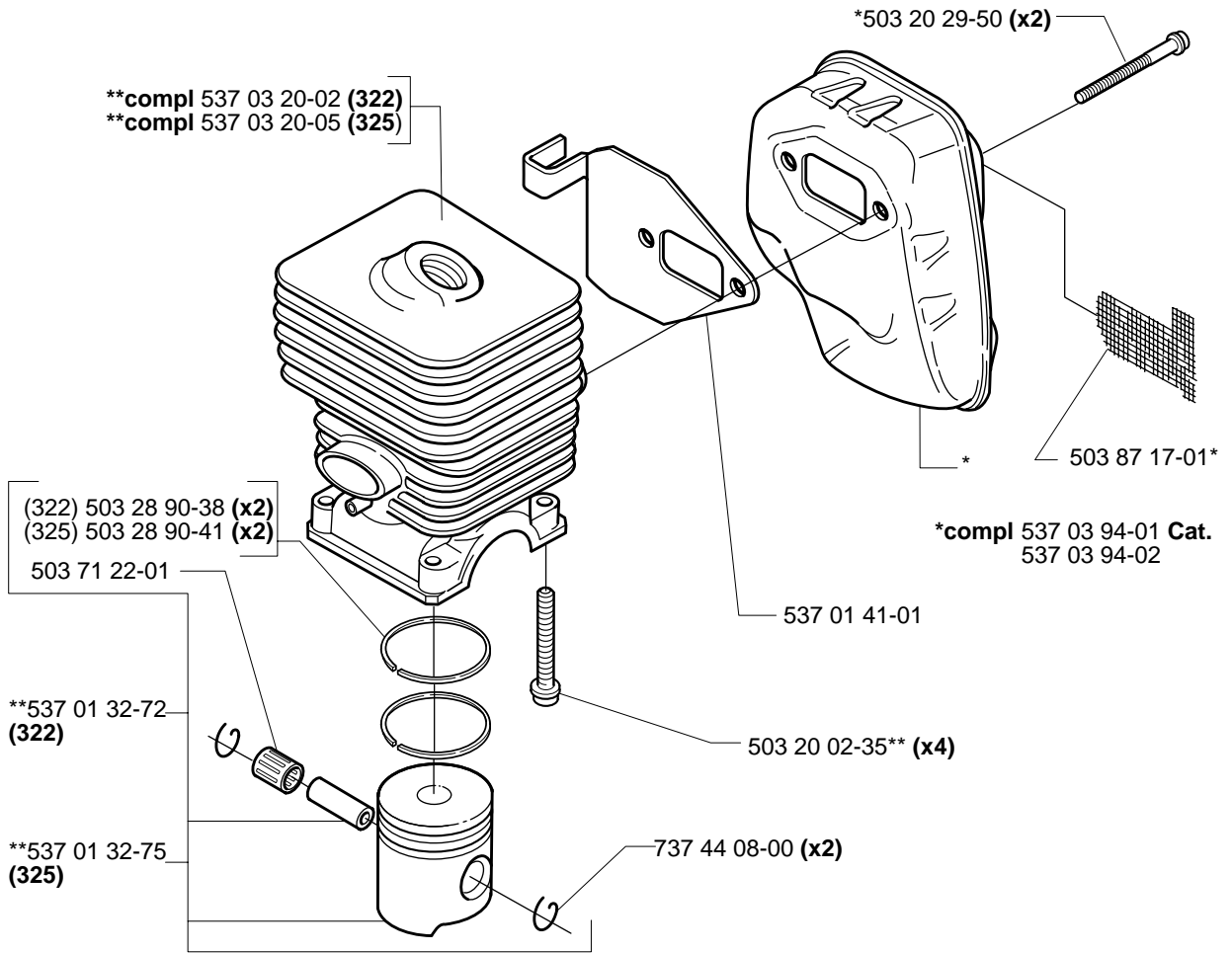
H



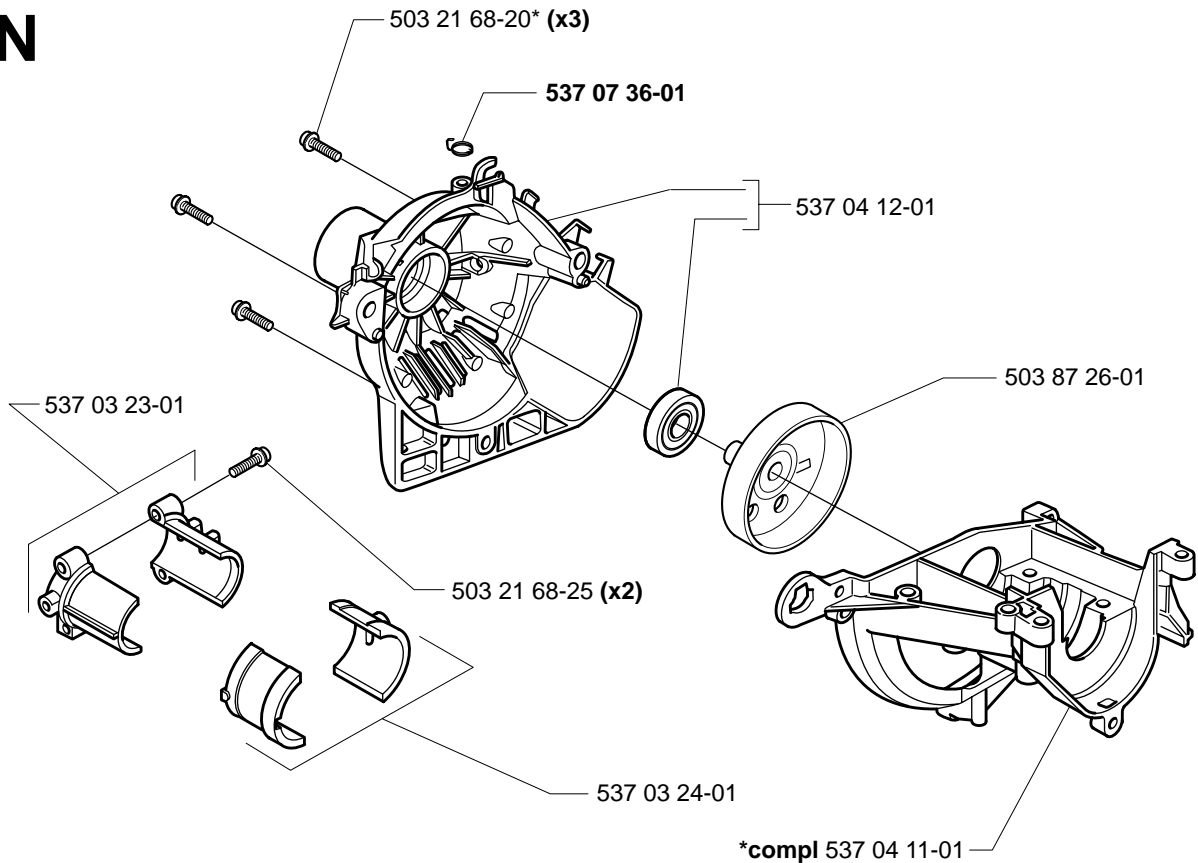
J



M

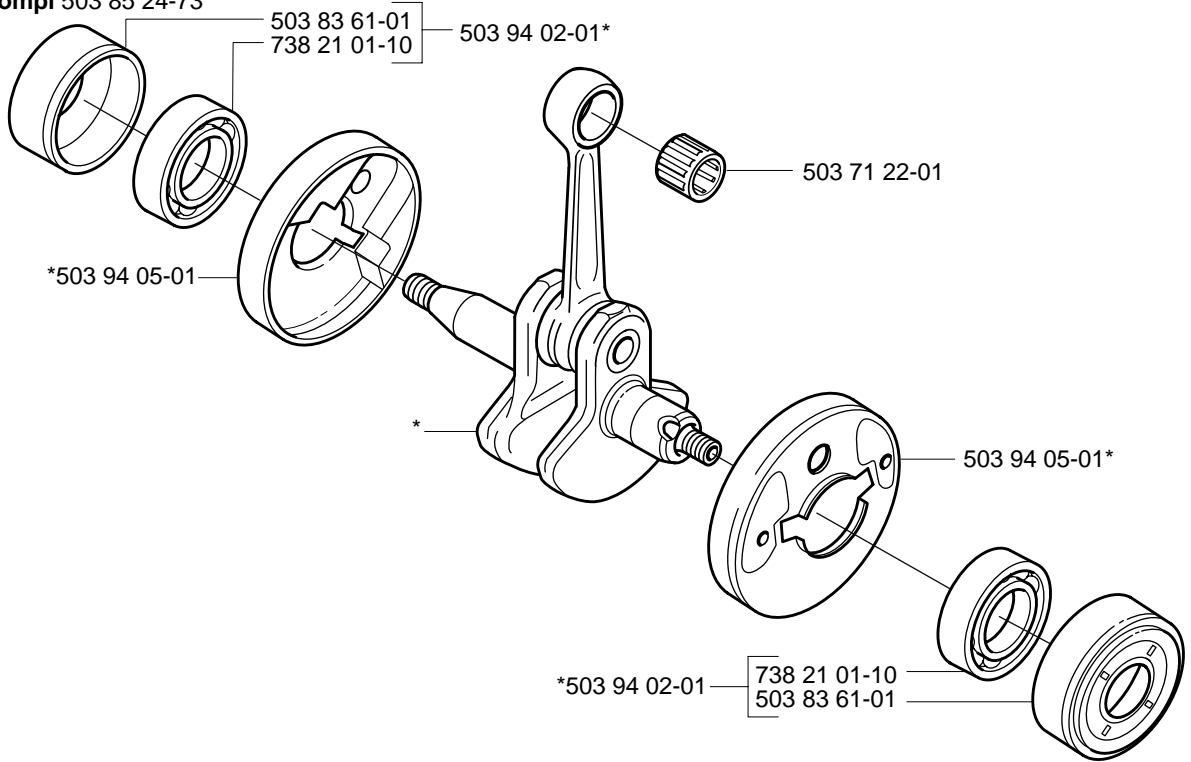


N



P

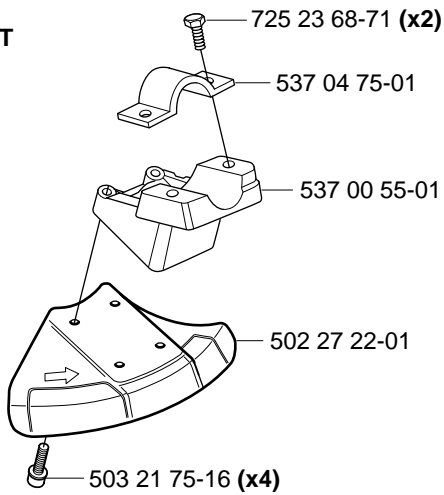
*compl 503 85 24-73



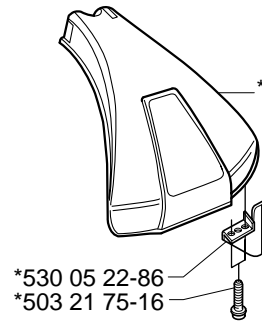
Q

**Accessories
Zubehöre
Accessoires
Acessorios
Tillbehör**

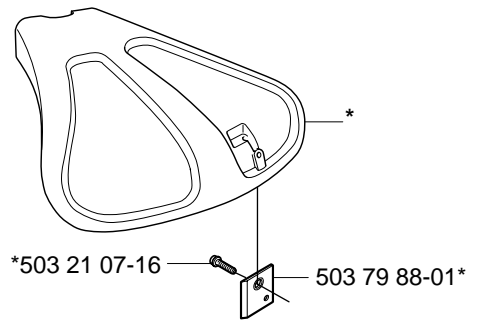
*compl 537 02 21-01
322R
325R-X
325R-XT



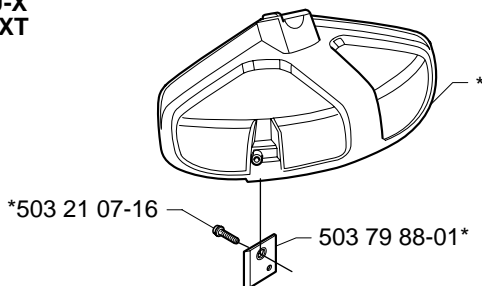
*compl 537 02 61-01
322 C



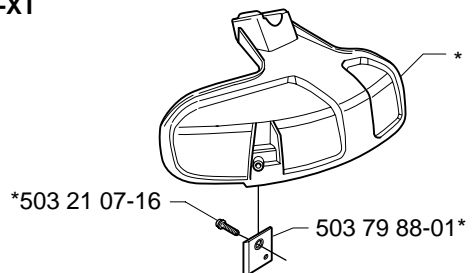
*compl 537 07 67-01
325 C-X



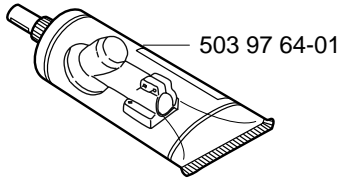
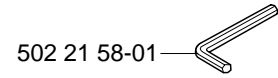
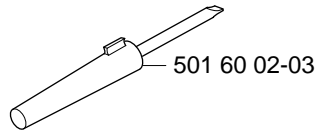
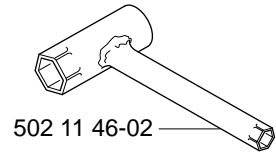
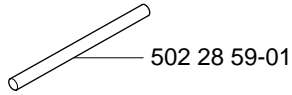
*compl 503 93 42-02
322 R
325 R-X
325 RJ-X
325 R-XT



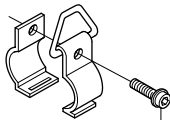
*compl 503 97 71-01
322 L
325 L-X
325 L-XT



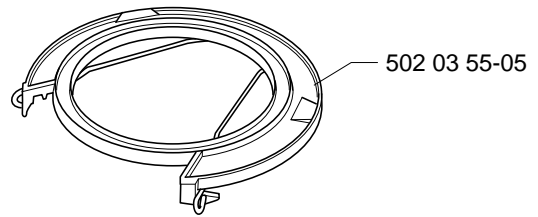
Q Accessories
 Zubehöre
 Accessoires
 Accesorios
 Tillbehör



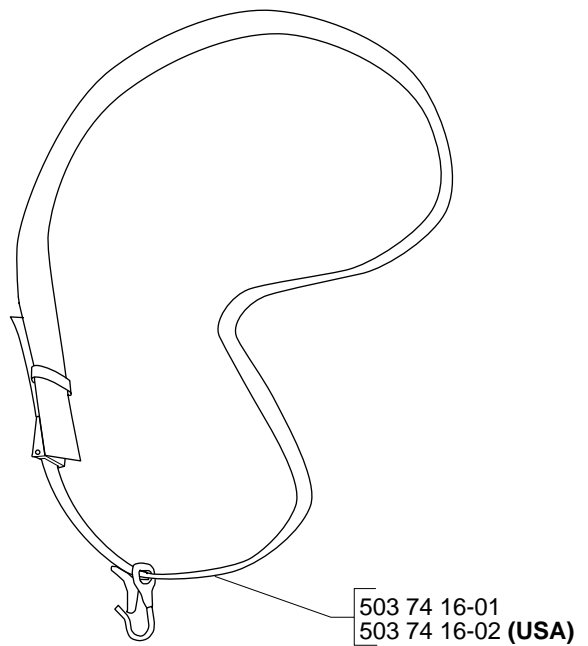
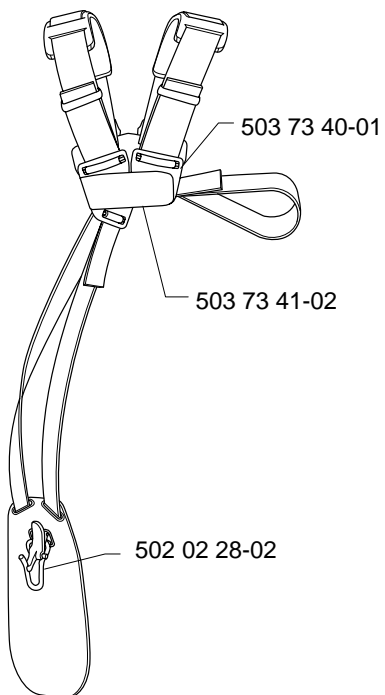
*compl 501 78 33-01

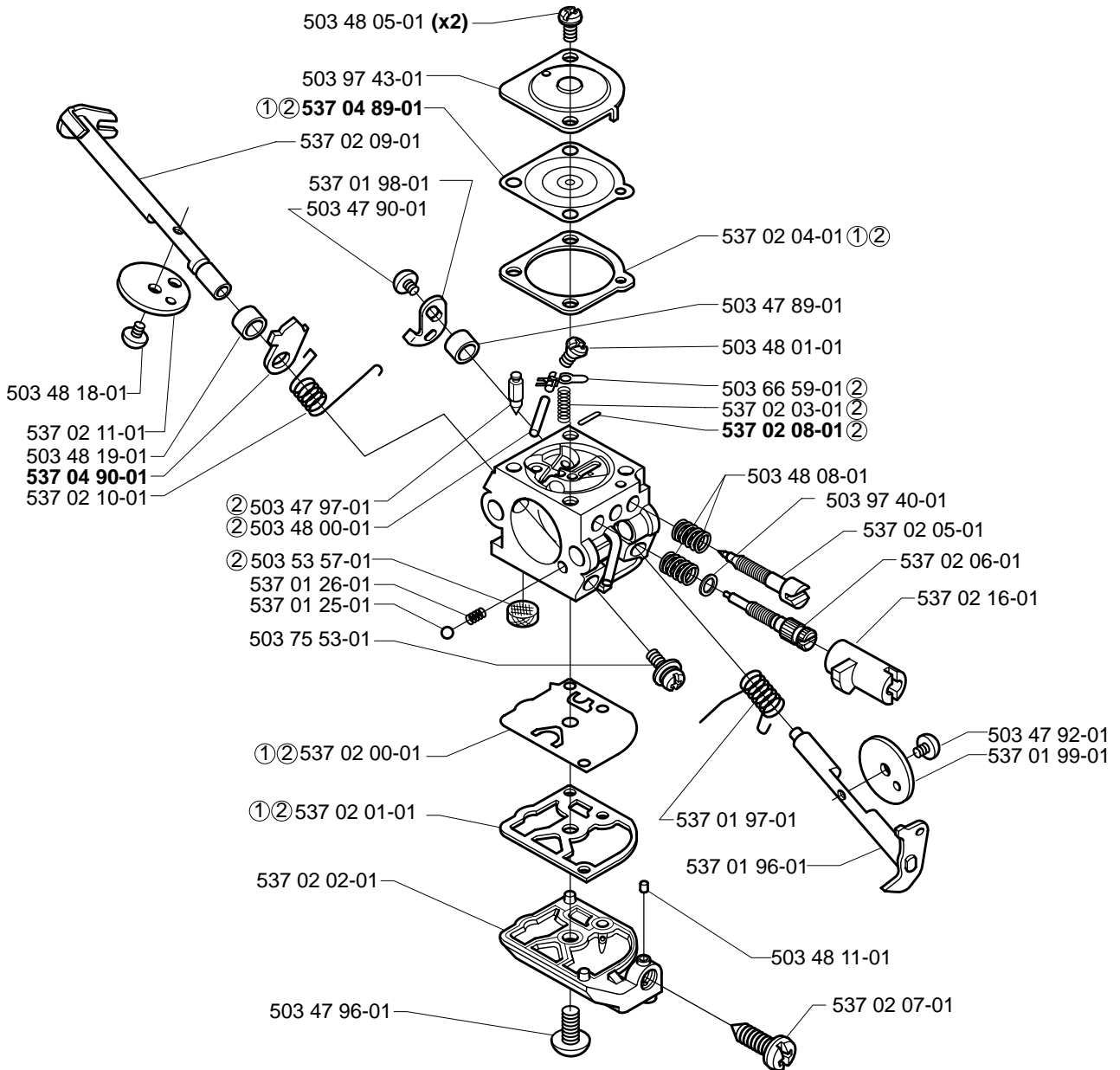


*503 21 83-16



compl 503 73 63-03
 compl 503 73 63-04 (USA)





① 531 00 45-52
Set of gaskets
Dichtungssatz
Juego de juntas
Jeu de joints
Packningssats

② 531 00 45-53
Repairkit
Reparatursatz
Juego de reparación
Kit de réparation
Reparationssats

MODEL 322C, L, R, 325C, C-X, L-X, R-X, 325L, L-X, R-X, 325 RJ-X

| PART NUMBER | SQUARE NOTE | PART NUMBER | SQUARE NOTE | PART NUMBER | SQUARE NOTE | PART NUMBER | SQUARE NOTE |
|--------------|-------------|--------------|-------------|--------------|-------------|--------------|-------------|
| 501 48 54-02 | L | 503 70 80-04 | B | 503 94 14-01 | F | 537 02 02-01 | R |
| 501 60 02-03 | Q | 503 71 22-01 | MP | 503 94 26-01 | H | 537 02 03-01 | R |
| 501 78 33-01 | Q | 503 71 48-01 | F | 503 95 97-01 | F | 537 02 04-01 | R |
| 502 02 28-02 | Q | 503 71 54-01 | B | 503 96 13-01 | DG | 537 02 05-01 | R |
| 502 02 28-02 | Q | 503 71 82-01 | DE | 503 96 14-01 | D | 537 02 06-01 | R |
| 502 03 55-05 | Q | 503 72 10-03 | C | 503 96 25-01 | H | 537 02 07-01 | R |
| 502 11 46-02 | Q | 503 72 29-01 | C | 503 96 31-01 | C | 537 02 08-01 | R |
| 502 19 58-13 | E | 503 72 43-03 | C | 503 96 36-01 | A | 537 02 09-01 | R |
| 502 19 71-01 | BC | 503 73 40-01 | Q | 503 96 49-01 | J | 537 02 10-01 | R |
| 502 19 90-03 | E | 503 73 41-02 | Q | 503 97 21-01 | G | 537 02 11-01 | R |
| 502 19 91-05 | E | 503 73 58-01 | K | 503 97 40-01 | R | 537 02 16-01 | R |
| 502 19 92-01 | E | 503 73 63-03 | Q | 503 97 43-01 | R | 537 02 21-01 | Q |
| 502 19 94-01 | E | 503 73 63-04 | Q | 503 97 64-01 | Q | 537 02 61-01 | Q |
| 502 19 95-02 | C | 503 74 16-01 | Q | 503 97 71-01 | Q | 537 02 76-01 | C |
| 502 20 38-01 | BC | 503 74 16-02 | Q | 503 97 98-01 | J | 537 02 76-03 | A |
| 502 20 40-01 | H | 503 75 00-01 | C | 503 97 98-02 | J | 537 03 20-02 | M |
| 502 20 65-03 | H | 503 75 53-01 | R | 503 97 98-03 | J | 537 03 20-05 | M |
| 502 21 12-01 | C | 503 78 52-01 | B | 503 97 98-14 | J | 537 03 22-01 | L |
| 502 21 58-01 | Q | 503 79 41-01 | E | 503 97 98-15 | J | 537 03 23-01 | N |
| 502 27 22-01 | Q | 503 79 56-01 | AB | 503 97 98-16 | J | 537 03 24-01 | N |
| 502 28 59-01 | Q | 503 79 88-01 | Q | 503 97 98-17 | J | 537 03 41-01 | J |
| 503 20 02-10 | B | 503 80 17-01 | Q | 503 97 98-18 | J | 537 03 94-01 | M |
| 503 20 02-12 | F | 503 80 45-01 | C | 503 97 98-27 | J | 537 03 94-02 | M |
| 503 20 02-25 | F | 503 81 60-01 | L | 503 97 98-35 | J | 537 04 10-01 | F |
| 503 20 02-30 | A | 503 83 61-01 | P | 503 97 98-36 | J | 537 04 11-01 | N |
| 503 20 02-35 | EM | 503 84 28-01 | L | 503 97 98-37 | J | 537 04 12-01 | N |
| 503 20 03-25 | H | 503 84 29-01 | L | 503 98 12-01 | G | 537 04 23-01 | L |
| 503 20 07-16 | BC | 503 84 69-02 | A | 503 98 12-02 | G | 537 04 24-01 | K |
| 503 20 07-25 | B | 503 85 24-73 | P | 503 98 12-03 | G | 537 04 25-01 | A |
| 503 20 25-16 | F | 503 85 28-01 | J | 503 98 12-14 | G | 537 04 58-01 | L |
| 503 20 29-50 | M | 503 85 87-01 | J | 503 98 12-15 | G | 537 04 64-01 | F |
| 503 21 07-16 | Q | 503 85 89-01 | J | 503 98 12-16 | G | 537 04 67-01 | L |
| 503 21 07-22 | E | 503 86 45-01 | BC | 503 98 12-17 | G | 537 04 68-01 | L |
| 503 21 07-45 | C | 503 87 17-01 | M | 503 98 12-18 | G | 537 04 75-01 | Q |
| 503 21 35-12 | G | 503 87 18-01 | G | 503 98 12-30 | G | 537 04 89-01 | R |
| 503 21 66-20 | DJ | 503 87 19-01 | B | 503 98 12-35 | G | 537 04 90-01 | R |
| 503 21 68-16 | BC | 503 87 19-03 | B | 503 98 12-36 | G | 537 05 11-01 | K |
| 503 21 68-20 | GJN | 503 87 21-01 | G | 503 98 54-01 | B | 537 05 23-01 | K |
| 503 21 71-16 | L | 503 87 26-01 | BCN | 503 99 55-01 | D | 537 05 25-01 | D |
| 503 21 75-16 | CHQ | 503 87 28-01 | L | 503 99 55-02 | D | 537 06 86-01 | K |
| 503 21 75-25 | CN | 503 87 33-02 | J | 503 99 56-01 | D | 537 07 36-01 | N |
| 503 21 75-50 | H | 503 87 35-01 | J | 503 99 56-02 | D | 537 07 62-01 | A |
| 503 21 77-16 | J | 503 87 36-01 | J | 503 99 78-01 | B | 537 07 63-01 | A |
| 503 21 83-16 | Q | 503 87 79-01 | D | 530 01 58-20 | A | 537 07 64-01 | A |
| 503 21 98-35 | A | 503 87 80-01 | D | 530 01 61-18 | A | 537 07 65-01 | A |
| 503 22 26-01 | A | 503 87 85-01 | D | 530 03 85-99 | A | 537 07 67-01 | Q |
| 503 22 65-04 | EH | 503 87 90-01 | B | 530 05 22-86 | Q | 537 07 68-02 | A |
| 503 23 00-61 | B | 503 88 23-01 | C | 530 05 38-00 | A | 537 07 74-01 | A |
| 503 23 51-08 | L | 503 88 41-01 | A | 530 05 39-50 | A | 537 08 27-01 | B |
| 503 23 51-11 | L | 503 88 79-01 | H | 530 09 45-43 | A | 537 08 30-01 | B |
| 503 25 05-01 | A | 503 88 79-01 | H | 530 09 52-21 | A | 537 10 10-01 | B |
| 503 28 31-10 | HR | 503 88 80-01 | H | 531 00 45-52 | R | 537 10 44-01 | G |
| 503 28 90-38 | M | 503 88 81-01 | H | 531 00 45-53 | R | 537 11 46-01 | A |
| 503 28 90-41 | M | 503 88 88-01 | BC | 537 00 55-01 | Q | 537 11 47-01 | A |
| 503 44 32-01 | K | 503 89 03-01 | H | 537 00 84-01 | J | 725 23 68-71 | Q |
| 503 47 89-01 | R | 503 91 09-01 | H | 537 01 13-01 | D | 725 23 70-51 | F |
| 503 47 90-01 | R | 503 91 10-01 | K | 537 01 16-01 | B | 725 23 78-51 | B |
| 503 47 92-01 | R | 503 91 18-02 | K | 537 01 19-01 | B | 725 23 79-51 | B |
| 503 47 96-01 | R | 503 91 81-01 | D | 537 01 25-01 | R | 725 23 80-51 | B |
| 503 47 97-01 | R | 503 93 42-02 | Q | 537 01 26-01 | R | 725 23 86-51 | C |
| 503 48 00-01 | R | 503 93 55-01 | F | 537 01 30-01 | F | 731 23 12-01 | F |
| 503 48 01-01 | R | 503 93 66-01 | K | 537 01 32-72 | M | 731 23 14-01 | BCH |
| 503 48 05-01 | R | 503 93 79-01 | E | 537 01 32-75 | M | 731 71 16-51 | JL |
| 503 48 08-01 | R | 503 93 80-01 | E | 537 01 41-01 | M | 735 31 08-20 | J |
| 503 48 11-01 | R | 503 94 02-01 | P | 537 01 96-01 | R | 735 31 11-00 | F |
| 503 48 18-01 | R | 503 94 03-01 | B | 537 01 97-01 | R | 735 31 12-00 | A |
| 503 48 19-01 | R | 503 94 05-01 | P | 537 01 98-01 | R | 735 31 25-10 | F |
| 503 49 71-01 | H | 503 94 10-01 | BC | 537 01 99-01 | R | 735 31 27-01 | A |
| 503 53 57-01 | R | 503 94 11-01 | F | 537 02 00-01 | R | 735 31 28-10 | F |
| 503 66 59-01 | R | 503 94 12-01 | F | 537 02 01-01 | R | 735 58 08-10 | B |

N = New part
 Neues teil
 Nouvelle piece
 Nueva pieza
 Ny detalj

MODEL 322C, L, R, 325C, C-X, L-X, R-X, 325L, L-XT, R-XT, 325 RJ-X

| PART NUMBER | SQUARE NOTE | PART NUMBER | SQUARE NOTE | PART NUMBER | SQUARE NOTE | PART NUMBER | SQUARE NOTE |
|--------------|-------------|-------------|-------------|-------------|-------------|-------------|-------------|
| 737 44 08-00 | M | | | | | | |
| 738 21 01-04 | F | | | | | | |
| 738 21 01-10 | P | | | | | | |
| 738 21 99-00 | F | | | | | | |
| 738 22 96-15 | F | | | | | | |
| 740 42 06-00 | D | | | | | | |
| 740 43 15-00 | B | | | | | | |

N = New part
 Neues teil
 Nouvelle piece
 Nueva pieza
 Ny detalj