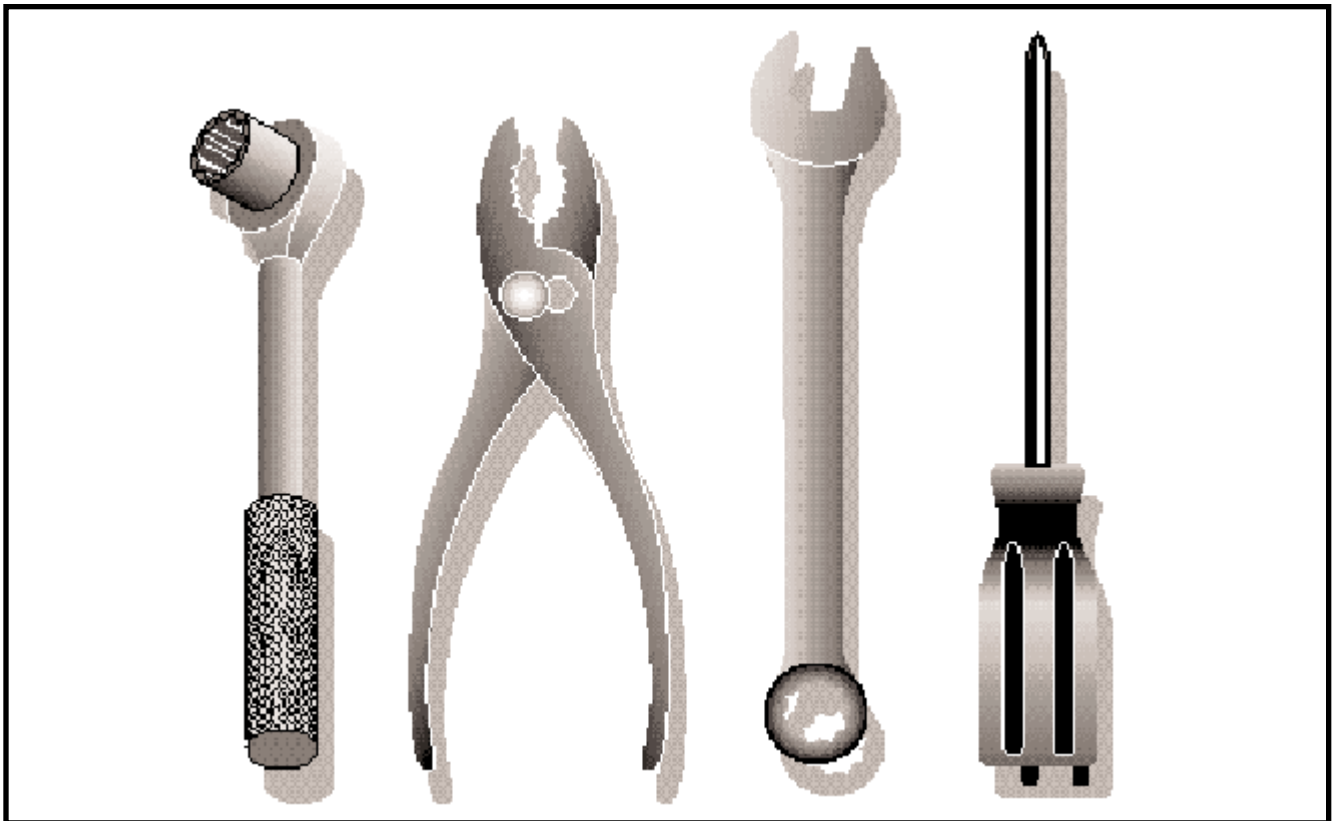


# LTH 1342 A

954567031

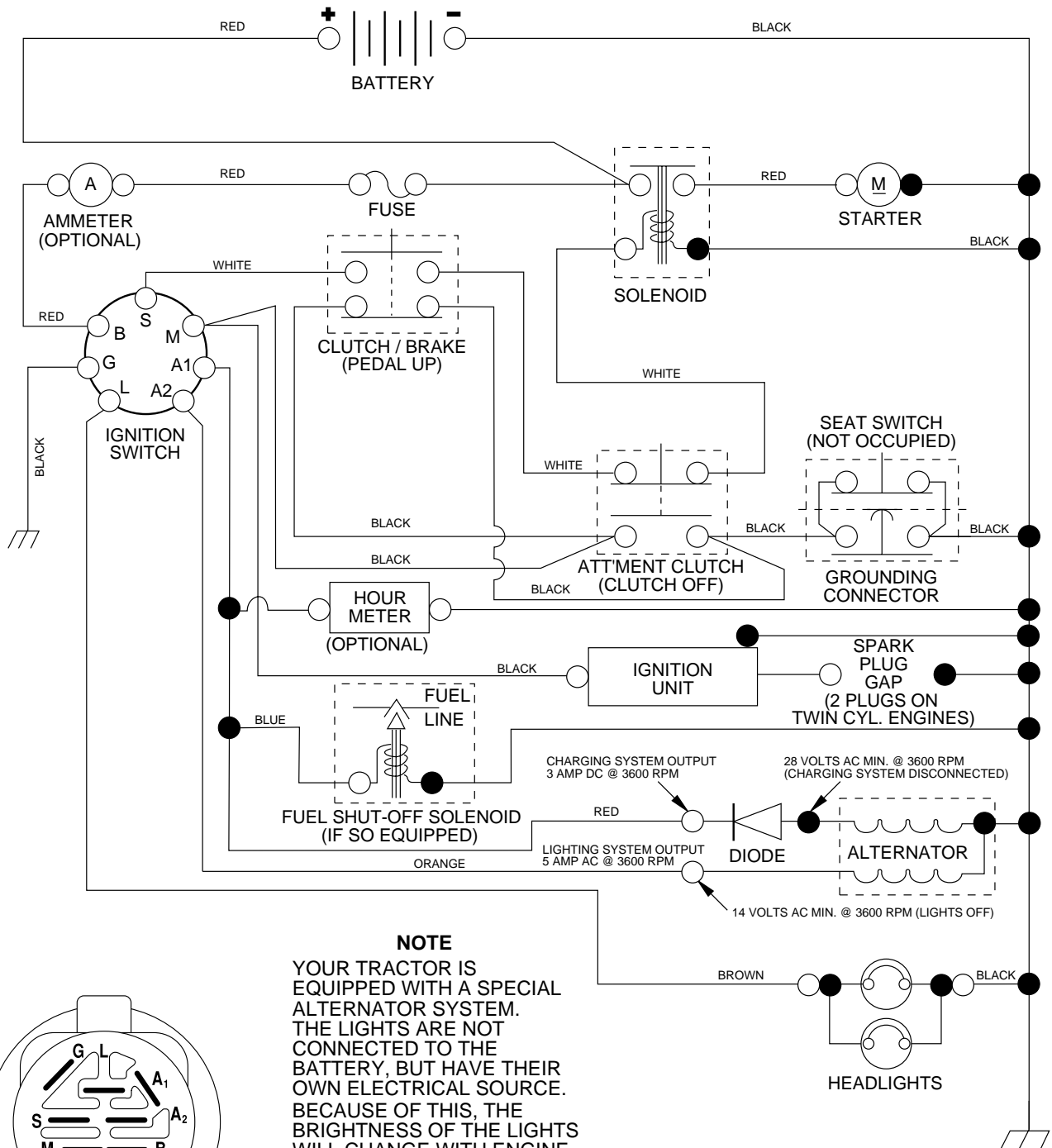


Repair Parts Manual

Ride Mower

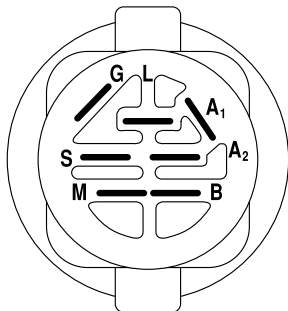
# TRACTOR - MODEL NO. LTH1342 (LTH1342A), PRODUCT NO. 954 56 70-31

## SCHEMATIC



### NOTE

YOUR TRACTOR IS EQUIPPED WITH A SPECIAL ALTERNATOR SYSTEM. THE LIGHTS ARE NOT CONNECTED TO THE BATTERY, BUT HAVE THEIR OWN ELECTRICAL SOURCE. BECAUSE OF THIS, THE BRIGHTNESS OF THE LIGHTS WILL CHANGE WITH ENGINE SPEED. AT IDLE THE LIGHTS WILL DIM. AS THE ENGINE IS SPEEDED UP, THE LIGHTS WILL BECOME THEIR BRIGHTEST.



IGNITION SWITCH

POSITION	CIRCUIT	"MAKE"
OFF	M+G+A1	NONE
RUN/LIGHT	B+A1	A2+L
RUN	B+A1	NONE
START	B + S + A1	NONE

### WIRING INSULATED CLIPS

**NOTE:** IF WIRING INSULATED CLIPS WERE REMOVED FOR SERVICING OF UNIT, THEY SHOULD BE REPLACED TO PROPERLY SECURE YOUR WIRING.



# REPAIR PARTS

TRACTOR - MODEL NO. LTH1342 (LTH1342A), PRODUCT NO. 954 56 70-31

## ELECTRICAL

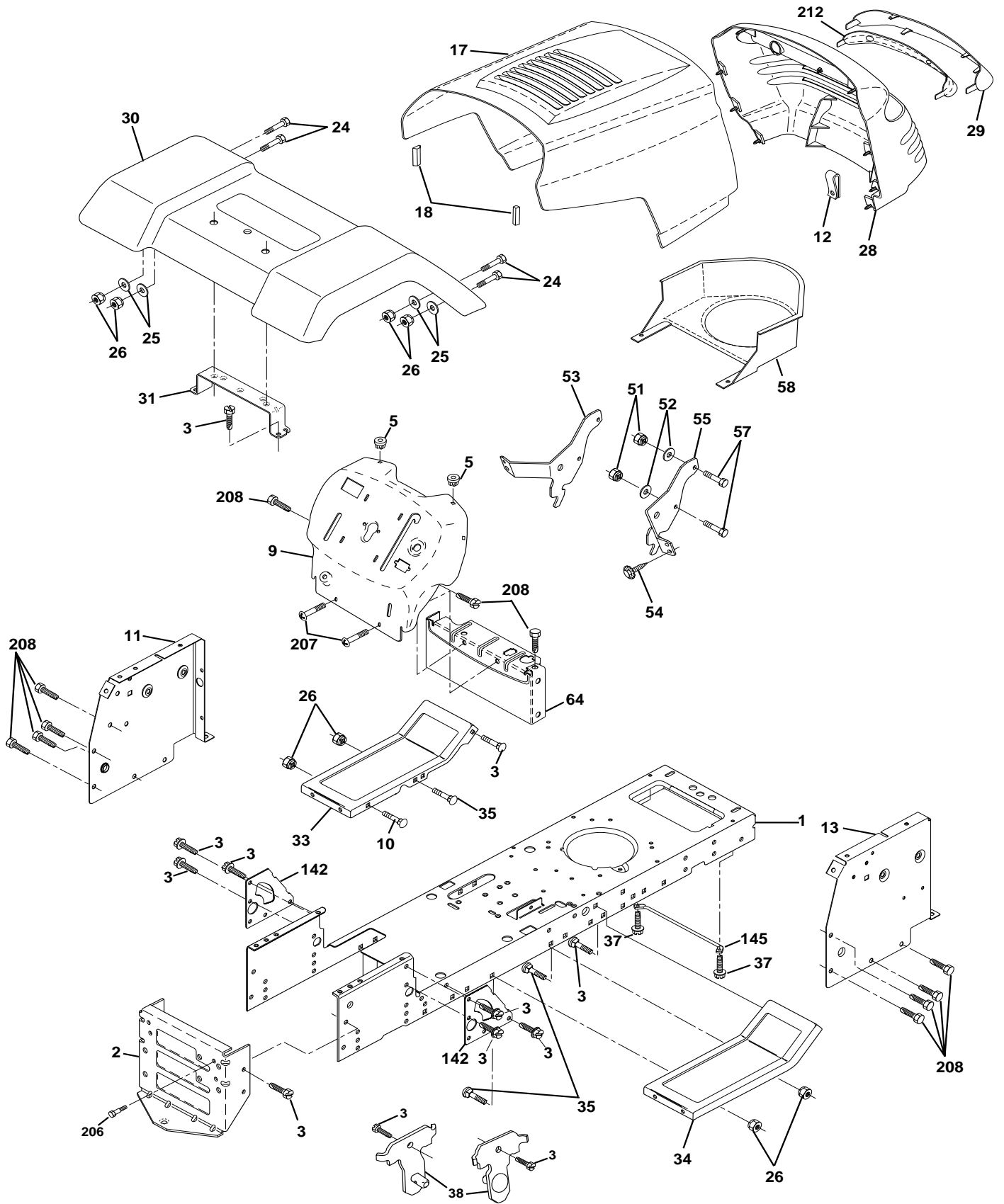
KEY NO.	PART NO.	DESCRIPTION
1	532144925	Battery 12 Volt 25 AMP
2	874760412	Bolt Hex Hd 1/4-20unc X 3/4
8	532156417	Case Battery Mech Hinge
16	532153664	Switch Interlock Push-In
21	532166181	Harness Asm Light W/4152j
22	532004152	Bulb Light #1156
24	532124780	Cable Battery 6 Ga 11" red
25	532146147	Cable Battery 6 Ga 44" red w/16 wire
26	532175158	Fuse
27	873510400	Nut Keps Hex 1/4-20 Unc
28	532124773	Cable Ground 6 Ga 12" black
29	532121305	Switch Plunger Nc Gray
30	532175566	Switch Ign Delta
33	532140401	Key Ign Molded Generic
40	532170217	Harness Ign.
41	871110408	Bolt Blk Fin Hex 1/4 - 20 x 1/2
42	532131563	Cover Terminal Red
43	532175141	Solenoid
48	532140844	Adapter Ammeter Rectangular
52	532141940	Protection Wire Loop

**NOTE:** All component dimensions given in U.S. inches.  
1 inch = 25.4 mm.

# REPAIR PARTS

TRACTOR - MODEL NO. LTH1342 (LTH1342A), PRODUCT NO. 954 56 70-31

## CHASSIS AND ENCLOSURES



# REPAIR PARTS

TRACTOR - MODEL NO. LTH1342 (LTH1342A), PRODUCT NO. 954 56 70-31

## CHASSIS AND ENCLOSURES

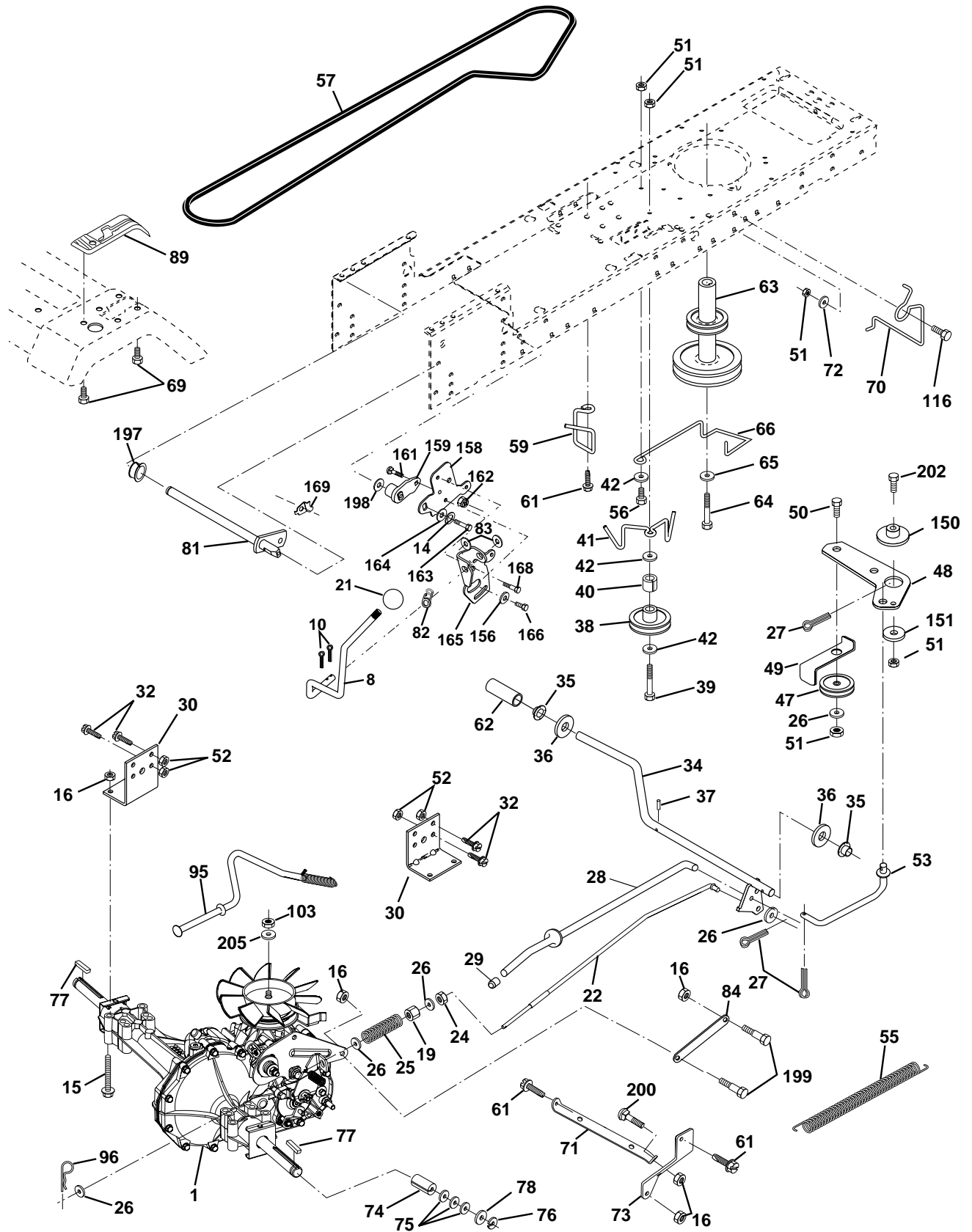
KEY NO.	PART NO.	DESCRIPTION
1	532169630	Chassis Stamping
2	532169061	Drawbar, 12 Ga.
3	817060612	Screw 3/8-16 x 3/4
5	532155272	Bumper Hood/Dash
9	532171853	Dash Silkscr
10	872140608	Bolt Carriage 3/8-16 x 1
11	532155927	Panel Dash Lh
12	532145660	Clip Tinnerman Grille P/L
13	532173025	Panel Dash Rh
17	532162237	Hood LT/PL
18	532126938	Bumper Hood
24	874780616	Bolt Fin Hex 3/8-16unc x 1 Gr 5
25	819131312	Washer 13/32 X 13/16 X 12 Ga
26	873800600	Nut Lock Hex W/Ins 3/8-16 Unc
28	532143499	Grille/Lens Asm
29	532168154	Lens P/L
30	532176953	Fender Footrest LTST Pnt
31	532136619	Bracket Fender
33	532147203	Footrest Pnt Lh LT/YT/GT 418
34	532147202	Footrest Pnt Rh LT/YT/GT 418
35	872110606	Bolt Rdhd Sht Sqnk 3/8-16 x 3/4
37	817490508	Screw Thdrol 6/16-18 x 1/2 TYT
38	532169834	Bracket Asm Pivot Mower Rear
51	873800400	Nut Lock W/Insert 1/4-20unc
52	819091416	Washer 9/32 x 7/8 x 16 Ga.
53	532144697	Bracket Grille Lh
54	532161464	Screw Hex Wshd 8-18 x 7/8
55	532144696	Bracket Grille Rh
57	874780412	Bolt Hex 1/4-20 x 3/4
58	532150127	Air Duct Engine P/L
64	532154798	Dash Lower STLT
142	532165867	Plate Reinforcement STLT
145	532156524	Rod Pivot Chassis/Hood
206	532170165	Bolt Shoulder 5/16-18 TT
207	817670508	Screw Thdrol 5/16-18 x 1/2
208	817670608	Screw Thdrol 3/8-16x1/2 Ty-tt
212	532156229	Insert Lens Reflective
--	532005479	Plug Button

**NOTE:** All component dimensions given in U.S. inches  
1 inch = 25.4 mm

# REPAIR PARTS

TRACTOR - MODEL NO. LTH1342 (LTH1342A), PRODUCT NO. 954 56 70-31

DRIVE



# REPAIR PARTS

TRACTOR - MODEL NO. LTH1342 (LTH1342A), PRODUCT NO. 954 56 70-31

## DRIVE

KEY NO.	PART NO.	DESCRIPTION	KEY NO.	PART NO.	DESCRIPTION
1	-----	Transaxle Hydro Gr Model 322-0510 (Order parts from transaxle mfg.)	65	810040700	Washer
8	532165619	Rod Shift Fender	66	532154778	Keeper Belt Engine
10	876020416	Pin Cotter 1/8 x 1 CAD	69	532142432	Screw Hex Wsh Hi-Lo 1/4-1/2 Unc
14	810040400	Washer Lock Hvy Helical 1/4	70	532134683	Guide Belt Mower Drive RH
15	874490544	Bolt Hex Flg Hd 5/16-18 X Gr.5	71	532169183	Strap Torque Lh Hydro
16	873800500	Nut Lock Hex W/Ins. 5/16-18 Unc P	72	819132012	Washer 13/32 x 1-1/4 x 12 Ga.
19	873800600	Nut Lock Hex W/Wsh 3/8-16 Unc	73	532169182	Strap Torque Rh Hydro
21	532140845	Knob, Deluxe	74	532137057	Spacer, Axle
22	532169498	Rod, Brake Hydro	75	532121749	Washer 25/32 x 1-1/4 x 16 Gauge
24	873350600	Nut	76	812000001	E-Ring
25	532106888	Spring, Brake Rod	77	532123583	Key, Square
26	819131316	Washer	78	532121748	Washer 25/32 x 1-5/8 x 16 Gauge
27	876020412	Pin Cotter 1/8 x 3/4 CAD.	81	532165596	Shaft Asm. Cross Hydro
28	532145204	Rod, Parking Brake	82	532123782	Spring Torsion T/A
29	532071673	Cap, Parking Brake	83	819171216	Washer 17/32 x 3/4 x 16 Ga.
30	532174973	Bracket, Transaxle	84	532169843	Link Transaxle
32	874760512	Bolt Hex Hd 5/16-18 Unc x 3/4	89	532176940	Console, Shift
34	532155071	Shaft, Foot Pedal	95	532170201	Control Asm Bypass Hydro
35	532120183	Bearing, Nylon	96	532124788	Retainer Spring 1" Zinc/Cad
36	819211616	Washer	103	873940800	Nut Hex Jam Toplock 1/2-20 Unf
37	532124963	Pin, Roll	116	872110610	Boulon 3/8-16 x 1.25
38	532131494	Pulley, Idler, Flat	150	532165850	Bushing Bellcrank Grd Drive
39	874760644	Bolt	151	819133210	Washer 13/32 x 2 x 10 Ga.
40	532124965	Spacer, Split	156	532166002	Washer Srrtd 5/16 ID x 1.0 x .125 Tk
41	532165838	Keeper, Belt Idler	158	532165589	Bracket Shift Mount
42	819131312	Washer 13/32 x 13/16 x 12 Gauge	159	532165494	Hub Tapered Flange Shift LT
47	532127783	Pulley, Idler, V-Groove	161	872140406	Bolt Rdhd Sqnk 1/4-20 x 3/4 Gr. 5
48	532154407	Bellcrank Clutch Grnd Drv Stl	162	873680400	Nut Crownlock 1/4-20 Unc
49	532123205	Retainer, Belt	163	874780416	Bolt Hex Fin 1/4-20 unc x 1 Gr. 5
50	874760624	Bolt	164	819091010	Washer 5/8 x .281 x 10 Ga
51	873680600	Nut	165	532165623	Bracket Pivot Lever
52	873680500	Nut Crownlock 5/16-18	166	532166880	Screw 5/16-18 x 5/8 TT Yellow
53	532105710	Link, Clutch	168	532165492	Bolt Shoulder 5/16-18 x .561 TT
55	532105709	Spring, Return, Clutch	169	532165580	Plate Fastening Cross Shf. STLT/ CRD
56	874760620	Bolt Fin Hex 3/8-16 UNC x 1-1/4	197	532169613	Nyliner Snap-In 5/8" ID
57	532140294	V-Belt, Ground Drive	198	532169593	Washer Nyl. 7/8 ID x .105"
59	532169691	Keeper, Center Span	199	532169612	Bolt Shoulder 5/16-18 Unc
61	817060612	Screw 3/8-16 x 3/4	200	872140508	Bolt Rdhd Sq Neck 5/16-18unc x 1
62	532124872	Cover, Pedal	202	872110612	Bolt Carr Sh 3/8-16 x 1-1/2 Gr. 5
63	532140186	Pulley, Clutch Eng	205	819171616	Washer 17/32 x 1 x 16 Ga.
64	871170764	Bolt Hex 7/16-20 x 4 Ga. 5			

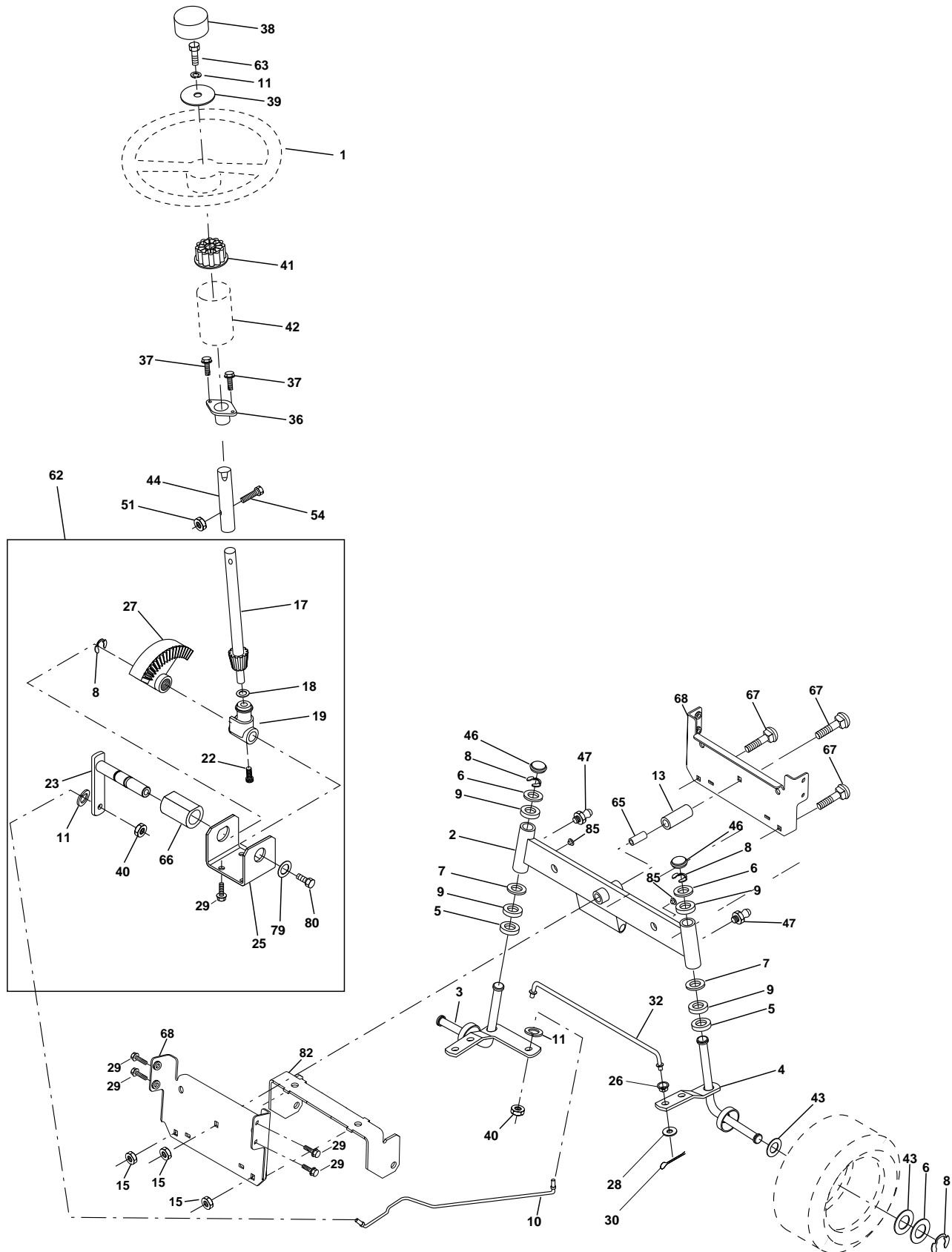
**NOTE:** All component dimensions give in U.S. inches.  
1 inch = 25.4 mm.



# REPAIR PARTS

TRACTOR - MODEL NO. LTH1342 (LTH1342A), PRODUCT NO. 954 56 70-31

## STEERING ASSEMBLY



# REPAIR PARTS

TRACTOR - MODEL NO. LTH1342 (LTH1342A), PRODUCT NO. 954 56 70-31

## STEERING ASSEMBLY

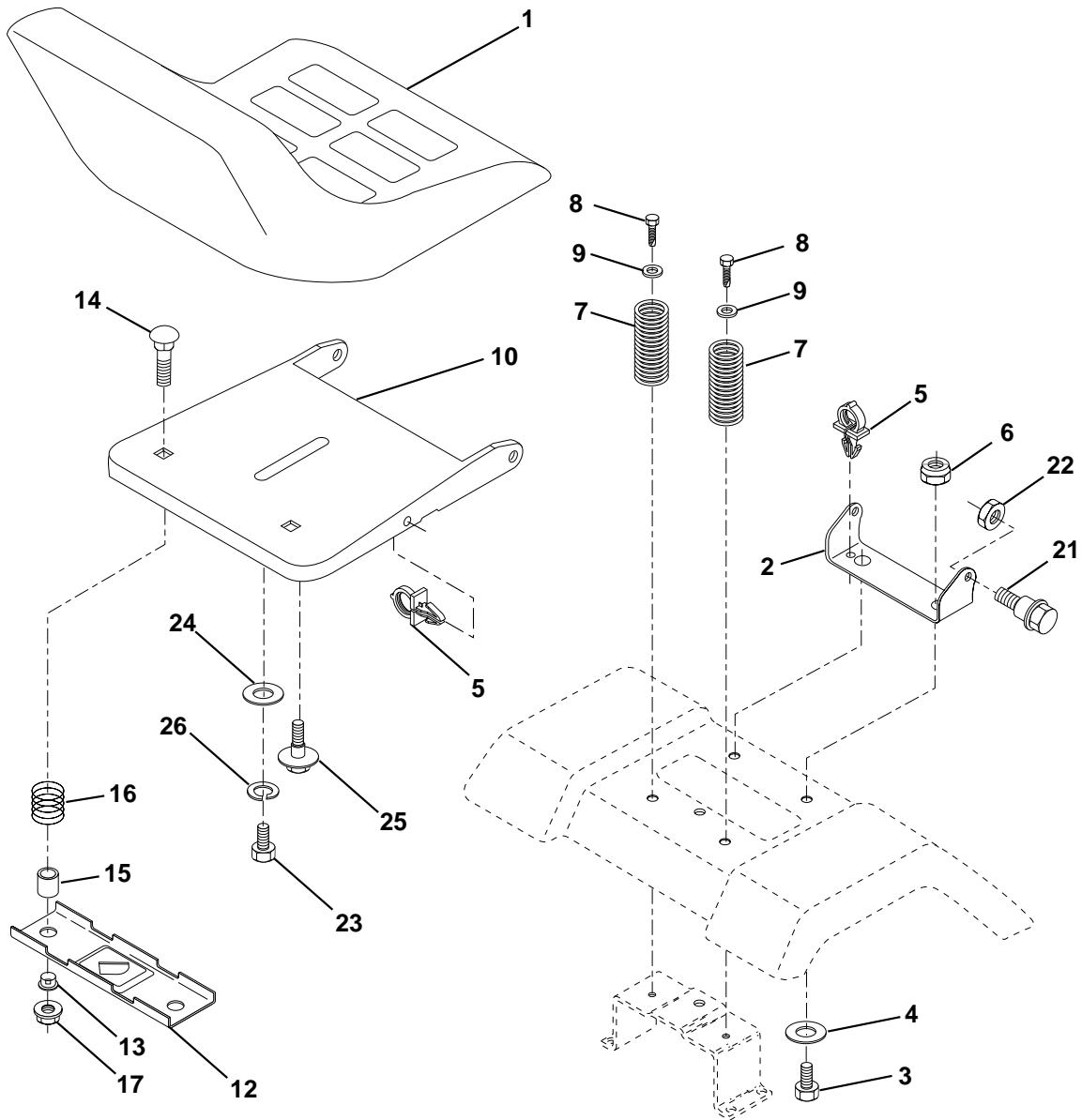
KEY NO.	PART NO.	DESCRIPTION
1	532124415	Wheel Steering
2	532154427	Axle Asm STMP Dropped STL
3	532169840	Spindle Asm LH
4	532169839	Spindle Asm RH
5	532124931	Bearing Race Thrust Harden
6	532121748	Washer 25/32 X 1-5/8 X 16 Ga
7	819272016	Washer 27/32 X 1-1/4 X 16 Ga
8	812000029	Ring Klip #t5304-75
9	532124937	Bearing Col Strg Blk
10	532169832	Link Drag
11	810040600	Washer Lock Hvy Hlcl Spr 3/8
13	532136518	Spacer Brg Axle Front
15	532145212	Nut Hex Flange Lock
17	532156546	Shaft Asm Strg
18	532057079	Washer Thrust 515x 750x 033
19	532160395	Support Shaft
22	532165857	Screw Hex WshHd Torx
23	532165851	Shaft Asm Pittman
25	532154406	Bracket Steering
26	532126847	Bushing Link Drag Blk LR
27	532136874	Gear Sector
28	819131416	Washer 13/32 X 7/8 X 16 Ga
29	817060612	Screw 3/8-16x3/4
30	876020412	Pin Cotter 1/8 X 3/4 Cad
32	532130465	Rod Tie Wire Form 19 75 Mech
36	532155099	Bushing Strg
37	532152927	Screw
38	532124416	Cap Wheel Steering
39	819133812	Washer 13/32 X 2-3/8 X 12 Ga
40	532124701	Lock nut
41	532100711	Adaptor Wheel Strg
42	532169634	Boot Steering Shaft
43	532121749	Washer 25/32 X 1 1/4 X 16 Ga
44	532153720	Extension Steering Shaft LR/LT
46	532121232	Cap Spindle Fr Top Blk
47	532124836	Fitting Grease
51	873800500	Nut Lock Hex w/Ins 5/16-18
54	874780520	Bolt Fin Hex 5/16-18 Unc x 1-1/4
62	532167902	Kit, Steering Assembly Svc
63	874780616	Bolt Fin Hex 3/8-16unc x 1 Gr. 5
65	532160367	Spacer Brace Axle
66	532154404	Bearing Arm Pittman
67	872140618	Bolt Rdhd Sq 3/8-16 x 2-1/4
68	532169827	Axle, Brace
79	819132012	Washer 13/32 x 1-1/4 x 12 Ga.
80	874950612	Bolt Hex Nylon 3/8-16 x 3/4
82	532169835	Bracket Susp Chassis Front
85	532133835	Fastner Christmas Tree

**NOTE:** All component dimensions given in U.S. inches.  
1 inch = 25.4 mm.

# REPAIR PARTS

TRACTOR - MODEL NO. LTH1342 (LTH1342A), PRODUCT NO. 954 56 70-31

## SEAT ASSEMBLY



KEY NO.	PART NO.	DESCRIPTION
1	532140838	Seat
2	532140551	Bracket Pivot Seat 8 720
3	871110616	Bolt Fin Hex 3/8-16unc X 1
4	819131610	Washer 13/32 X 1 X 10 Ga
5	532145006	Clip Push-In
6	873800600	Nut Hex w/Ins. 3/8-16 Unc
7	532124181	Spring Seat Cprsn 2 250 Blk Zi
8	817000616	Screw 3/8-16 X 1
9	819131614	Washer 13/32 X 1 X 14 Ga.
10	532174894	Pan Seat
12	532121246	Bracket Mounting Switch
13	532121248	Bushing Snap Blk Nyl 50 Id
14	872050412	Bolt Rdhd Sqnk 1/4-20x1-1/2

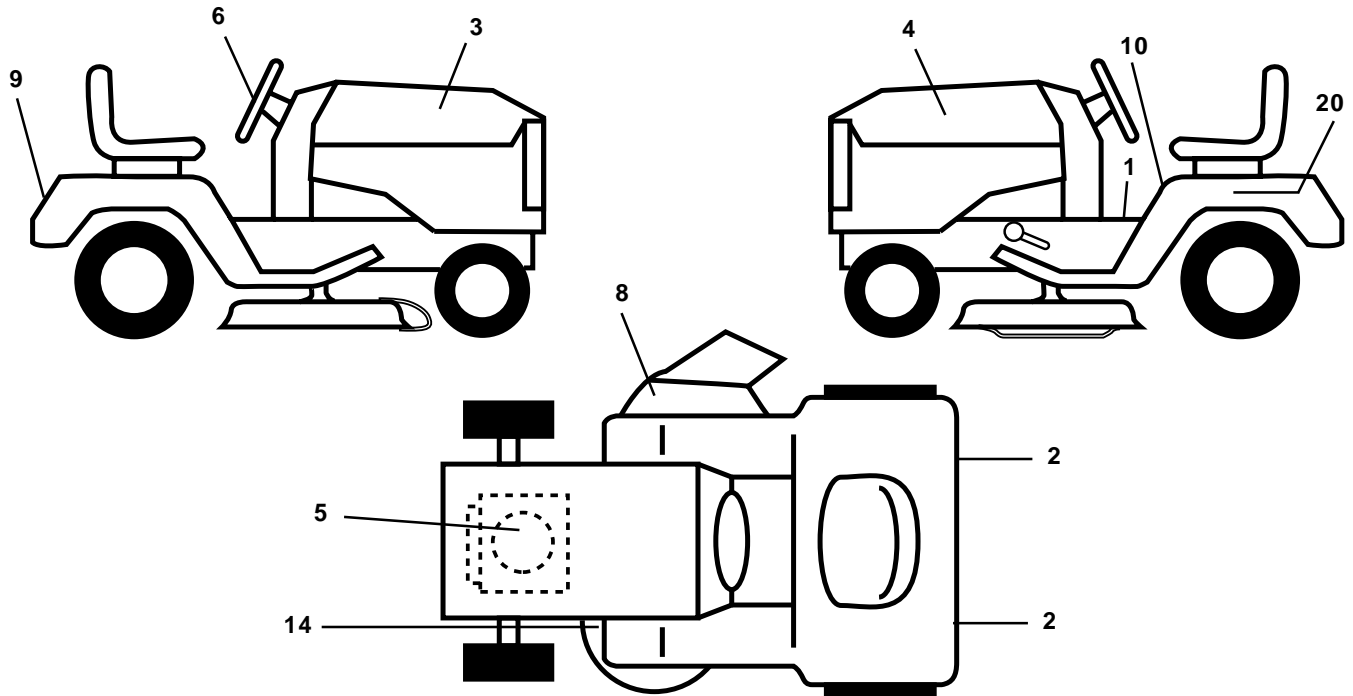
KEY NO.	PART NO.	DESCRIPTION
15	532134300	Spacer Split 28x 96 Yel Zinc
16	532121250	Spring Cprsn 1 27 Blk Pnt
17	532123976	Nut Lock 1/4 Lge Flg Gr 5 Zinc
21	532171852	Bolt Shoulder 5/16-18 Unc-2A
22	873800500	Nut Hex Lock W/Ins 5/16-18
23	871110814	Bolt, Hex Black
24	819171912	Washer 17/32 X 1-3/16 X 12 Ga.
25	532127018	Bolt Shoulder 5/16-18 X 62
26	810040800	Washer Lock

**NOTE:** All component dimensions given in U.S. inches.  
1 inch = 25.4 mm

# REPAIR PARTS

TRACTOR - MODEL NO. LTH1342 (LTH1342A), PRODUCT NO. 954 56 70-31

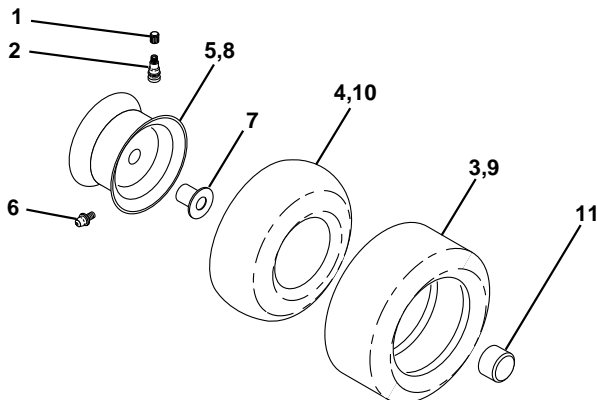
## DECALS



KEY NO.	PART NO.	DESCRIPTION
1	532157032	Decal Oper. Step Thru Eng/Fr
2	532106202	Reflector Tail Light Red/Amber
3	532176771	Decal Hood RH
4	532176772	Decal Hood LH
5	532170848	Decal HP Engine
6	532175854	Decal Steer Wheel
8	532170563	Decal Warning
9	532176822	Decal Fender Husq

KEY NO.	PART NO.	DESCRIPTION
10	532157140	Decal Fender Danger Eng/Fr
14	532160396	Decal V-Belt Schematic
20	532145005	Decal Bat Dan/Psn
--	532133671	Pad Footrest
--	532138311	Decal Handle Lft Height Adjust
--	532169210	Decal Bypass Lt Hydro
--	532176648	Manual Owner's (English)
--	532176649	Manual Owner's (French)

## WHEELS & TIRES



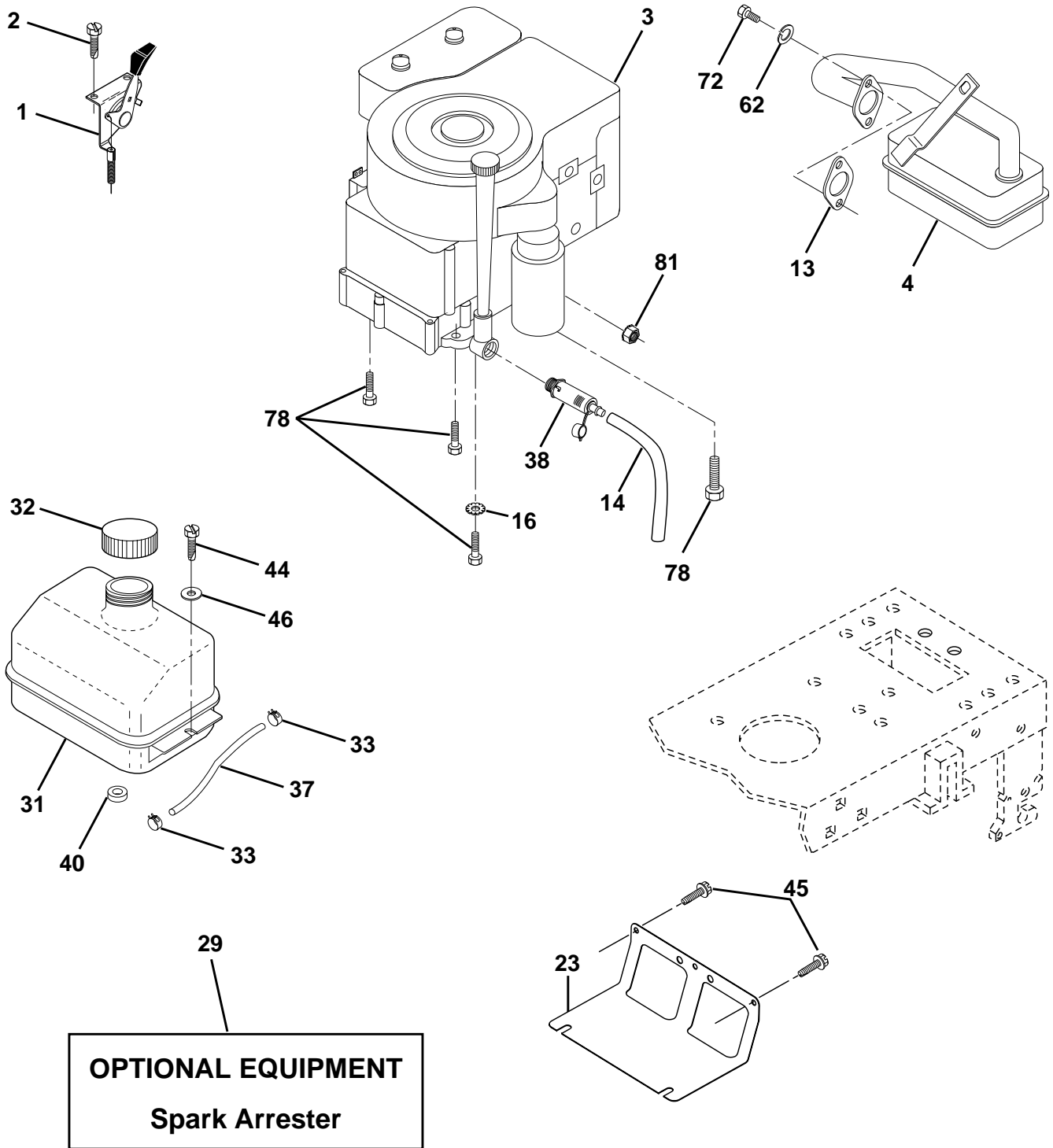
KEY NO.	PART NO.	DESCRIPTION
1	532059192	Cap Valve Tire
2	532065139	Stem Valve
3	532106222	Tire F Ts 15 X 6 0 - 6 Service
4	532059904	Tube Front (Service Item Only)
5	532138336	Rim Asm 6"front Silver Service
6	532124957	Fitting Grease (Front Wheel Only)
7	532124959	Bearing Flange (Front Wheel Only)
8	532138337	Rim Asm 8"rear Silver Service
9	532106268	Tire R Ts 18x9 5-8 C Service
10	532124926	Tube Rear (Service Item Only)
11	532175039	Cap Axle Blk 1 50 X 1 00
--	532144334	Sealant, Tire ( 10 oz. Tube)

**NOTE:** All component dimensions given in U.S. inches  
1 inch = 25.4 mm

# REPAIR PARTS

TRACTOR - MODEL NO. LTH1342 (LTH1342A), PRODUCT NO. 954 56 70-31

## ENGINE



# REPAIR PARTS

TRACTOR - MODEL NO. LTH1342 (LTH1342A), PRODUCT NO. 954 56 70-31

## ENGINE

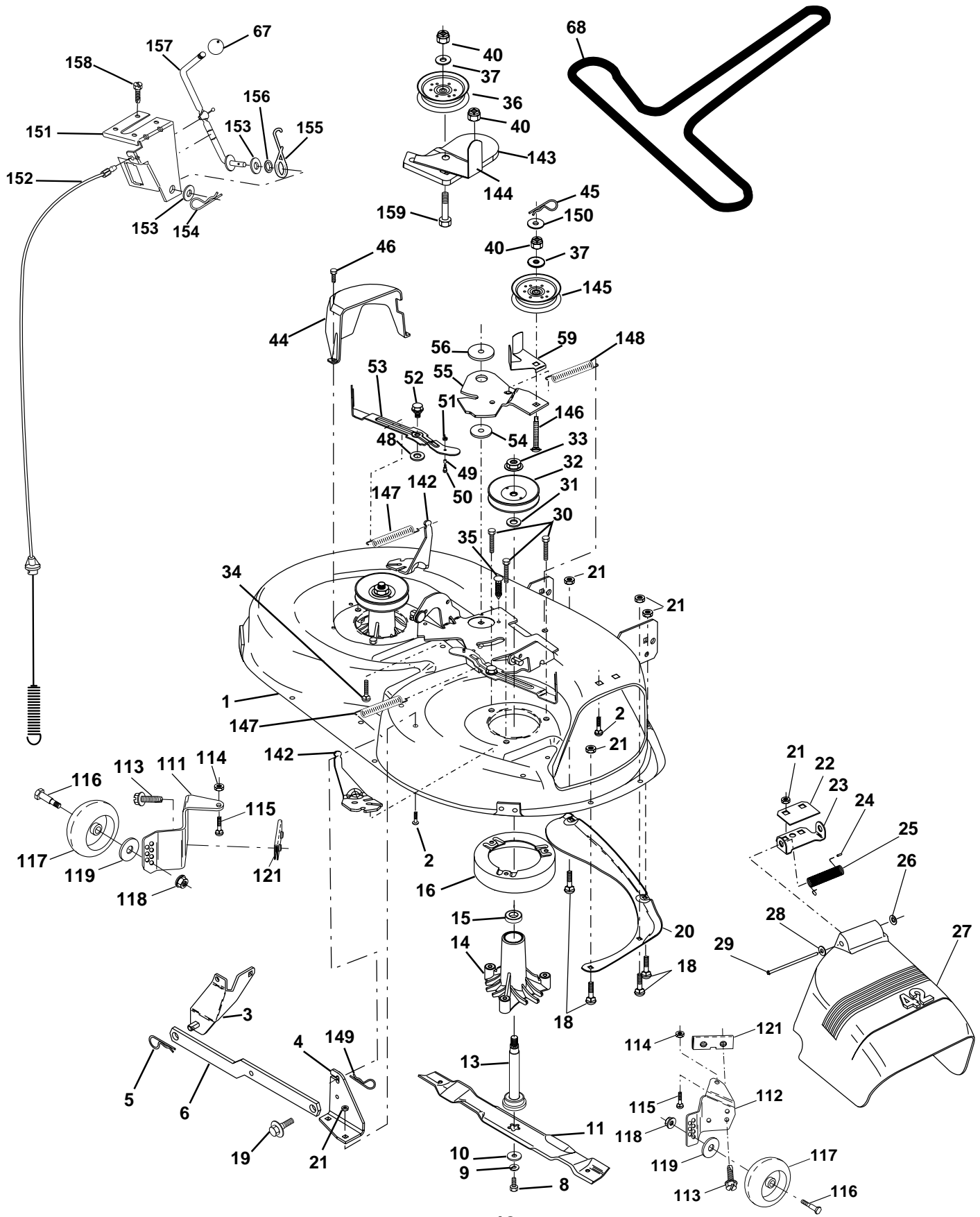
KEY NO.	PART NO.	DESCRIPTION
1	532170551	Control Th/ch Flag
2	817720410	Screw Hex Thd Cut 1/4-20x5/8 T
3	-----	Engine, Briggs 28R707 (Order parts from engine manufacturer)
4	532137348	Muffler LT B&S 12/12.5/13HP
13	532165291	Gasket Eng 1 313 Id Tin Plated
14	532148456	Tube Drain Oil Easy
16	811050600	Washer Lock Ext Tooth 3/8
23	532169837	Shield Brn/Dbr Guard
29	532137180	Kit Spark Arrestor (Flat Scrn)
31	532109202	Tank Fuel Front
32	532140527	Cap Asm Fuel W/sym Vented
33	532123487	Clamp Hose Black
37	532137040	Line Fuel 20"
38	532148315	Plug Drain Oil Easy
40	532124028	Bushing Snap Nyl Blk Fuel Line
44	817670412	Screw Hexwsh Thdrol 1/4-20 x 3/4
45	817000612	Screw Hexwsh Thdr 3/8-16 x 3/4
46	819091416	Washer 9/32 x 7/8 x 16 Ga
62	810040500	Washer Lock Hvy Hlcl Spr 5/16
72	871070512	Screw Hexhd Cap 5/16-18 x 3/4
78	817060620	Screw 3/8-16 x 1-1/4
81	873510400	Nut Keps Hex 1/4-20 Unc

**NOTE:** All component dimensions given in U.S. inches  
1 inch = 25.4 mm

# REPAIR PARTS

TRACTOR - MODEL NO. LTH1342 (LTH1342A), PRODUCT NO. 954 56 70-31

## MOWER DECK



# REPAIR PARTS

TRACTOR - MODEL NO. LTH1342 (LTH1342A), PRODUCT NO. 954 56 70-31

## MOWER DECK

KEY NO.	PART NO.	DESCRIPTION	KEY NO.	PART NO.	DESCRIPTION
1	532176922	Deck Asm MWR 42"weldment	53	532131845	Arm Asm Pad Brake
2	872140506	Bolt Rdhd Sqnk 5/16-18unc X3/4	54	532133943	Washer Hardened
3	532138017	Bracket Asm Fr Sway Bar 38/42	55	532176932	Arm Idler 42"mower LT/YT
4	532176935	Bracket Asm Deck 42"sway Bar	56	532122052	Spacer Retainer Mower
5	532124670	Retainer Spring	59	532173442	Guard TUV Idler
6	532130832	Arm Suspension Rear	67	532106932	Knob Rd 3/8-16 Plstc Thds Blk
8	532850857	Bolt 3/8 - 24 X 1.25 Gr 8	68	532144959	V-Belt Mower 42"
9	810030600	Washer Lock Hvy 3/8	111	532176933	Bracket Wheel Gauge LH 42" Deck
10	532140296	Washer Hard Blade Mower Vented	112	532176934	Bracket Gauge Wheel RH 42" Deck
11	532138498	Blade Mower 42"	113	817060514	Screw Tapping 5/16-18 Unc
13	532137645	Shaft Asm W/lower Bearing	114	873510500	Nut Keps 5/16-18 UNC
14	532128774	Housing Mandrel Vented	115	872110504	Bolt Carriage 5/16-UNC x 1/2
15	532110485	Bearing Ball Mandrel	116	532124842	Bolt Shoulder
16	532140329	Stripper Mower Vented	117	532165746	Wheel Gauge
18	872140505	Bolt Rdhd Sqnk 5/16-18 X 5/8	118	873930600	Nut Centerlock 3/8-16 UNC
19	532132827	Bolt Shoulder	119	819121414	Washer 3/8 x 7/8 x 14 Ga.
20	532159770	Baffle Vortex 42	121	532173986	Bracket Extruded Guage Wheel
21	873680500	Nut Crownlock 5/16-18 UNC	142	532176925	Arm Spring Brake Mower
22	532176929	Stiffener Bracket 42"deck	143	532176931	Bracket Arm Idler 42"
23	532176927	Bracket Deflector Mower 42"	144	532173441	Keeper Belt 42" Clutch
24	532105304	Cap Sleeve 80x 112 Blk Mower	145	532173437	Pulley Idler Flat
25	532123713	Spring Torsion Deflector 2 52	146	532173443	Bolt Carriage Idler
26	532110452	Nut Push Phos & Oil	147	532131335	Spring Extension
27	532171634	Shield Deflector Mower 42" Blk	148	532169022	Spring Return Idler
28	819111016	Washer 11/32 X 5/8 X 16 Ga	149	532165898	Retainer Spring Yellow
29	532131491	Rod Hinge 42"6 75 Wlg	150	819091216	Washer 9/32 x 3/4 x 16 Ga.
30	532157722	Screw Thd Rolling Washer Head	151	532169670	Bracket Clutch Cable
31	532129963	Washer Spacer Mower Vented	152	532169676	Clutch Cable 42"
32	532173436	Pulley Mandrel 42"	153	532169674	Washer Flat 3/8" Type B
33	532137266	Nut 9/16 Toplock Flng Oil Dip	154	532169675	Spring Retainer
34	872110614	Bolt Rdhd 3/8-16uncx1-3/4 Gr5	155	532169671	Spring Retention Lvr Cltch Cab
35	532133835	Fastner Christmas Tree	156	532169672	Spacer Clutch Cable
36	532173438	Pulley Idler Flat 3 060	157	532169669	Rod Clutch Cable 3/8"
37	819131316	Washer 13/32 X 13/16 X 16	158	817720410	Screw Hex Thd Cut 1/4-20 x 5/8
40	873680600	Nut Crownlock 3/8-16 UNC	159	872140614	Bolt Rdhd Sq 3/8-16 Unc x 1-3/4
44	532140088	Guard Mandrel LH Black	--	532130794	Mandrel Asm Service (Includes Key Nos. 8-10, 12-15, 31 and 33)
45	532124788	Spring Retainer 1" Zinc/cad	--	532176634	Deck Serv 42" HP S Bar Mult-Lang (Standard Deck - Order gauge wheel components separately Key Nos. 111-121)
46	532137729	Screw Hex Thd Cut 1/4-20x5/8 T			
48	532133944	Washer Hardened Smaller			
49	532174284	Roller Asm Cam Follower 42"dec			
50	532131340	Bolt Shldr 10-24 Zinc Gr 5 42"			
51	532069180	Nut Lock #10-24 Unc			
52	532139888	Bolt Shoulder 5/16-18 Unc Blkz			

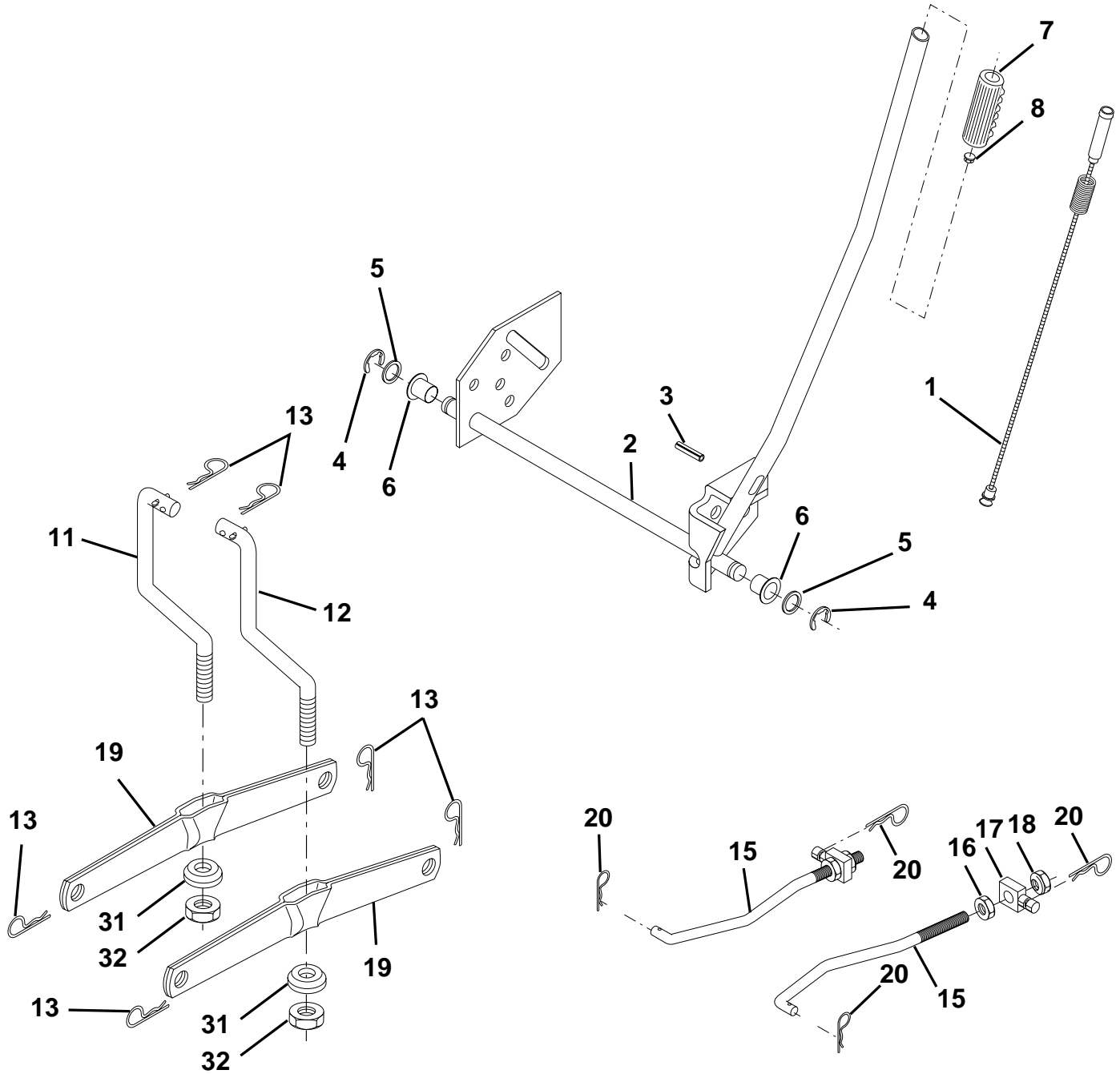
**NOTE:** All component dimensions given in U.S. inches  
1 inch = 25.4 mm



# REPAIR PARTS

TRACTOR - MODEL NO. LTH1342 (LTH1342A), PRODUCT NO. 954 56 70-31

## MOWER LIFT



# REPAIR PARTS

TRACTOR - MODEL NO. LTH1342 (LTH1342A), PRODUCT NO. 954 56 70-31

## MOWER LIFT

KEY NO.	PART NO.	DESCRIPTION
1	532159460	Wire Asm Inner W/plunger LT
2	532159471	Shaft Asm Lift
3	532105767	Pin Groove
4	812000002	E Ring #5133-62
5	819211621	Washer PLTD 21/32 X 1 X 21 ga
6	532120183	Bearing Nylon Blk 629 Id
7	532109413	Grip Handle Bicycle
8	532124526	Button Plunger Black
11	532139865	Link Lift LH
12	532139866	Link Lift RH
13	532124670	Retainer Spring
15	532173288	Link Front
16	873350800	Nut Jam Hex 1/2-13 Unc
17	532130171	Trunnion Blk Zinc
18	873800800	Nut Lock W/Wsh 1/2-13 Unc
19	532139868	Arm Suspension Rear
20	532163552	Spring, Retainer
31	532169865	Bearing Pvt. Lift
32	873540600	Nut Crownlock 3/8-24

**NOTE:** All component dimensions given in U.S. inches  
1 inch = 25.4 mm