

38 INCH CUT MOWER MULCHER KIT for 1991 AND NEWER MODELS

Kit No. MK380

INSTALLATION INSTRUCTIONS

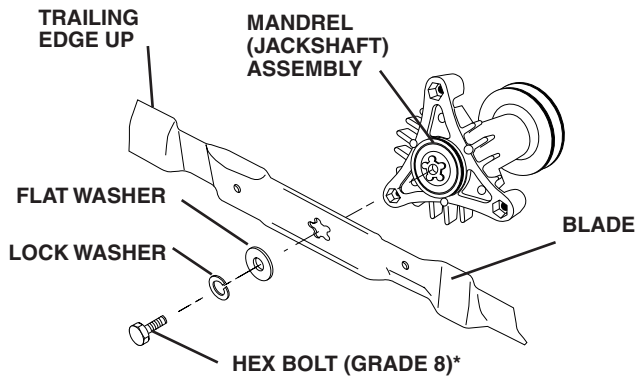
Kit Contains:

- | | |
|-------------------|--------------------|
| (1) Mulcher Plate | (2) Mulcher Blades |
| (1) Mounting Bolt | (1) Washers |
| (1) Locknut | (1) Wing Nut |

REPLACE MOWER BLADES (See Fig. 1)

- Raise mower to highest position to allow access to blades.
- Remove hex bolts, lock washers and flat washers securing blades.
- Install mulcher blades with trailing edge up towards deck as shown.
- Reassemble hex bolts, lock washers and flat washers in exact order as shown.
- Tighten bolts securely (30-35 Ft. Lbs. torque).

IMPORTANT: BLADE BOLT IS GRADE 8 HEAT TREATED.



*A GRADE 8 HEAT TREATED BOLT CAN BE IDENTIFIED BY SIX LINES ON THE BOLT HEAD.

FIG. 1

INSTALL MOUNTING BOLT (See Fig. 2)

- Raise your tractor mower deck to its highest position.
- Install the mounting bolt and locknut through mower deck baffle as shown and tighten securely.

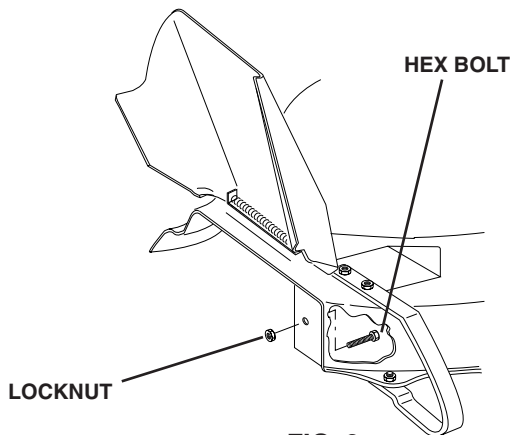


FIG. 2

INSTALL MULCHER PLATE

(See Figs. 3 & 4)



CAUTION: Do not remove discharge guard from mower. Raise and hold guard when attaching mulcher plate and allow it to rest on plate while in operation.

- Raise and hold deflector shield in the upright position.
- Position alignment cup over rear baffle.
- Pivot mulcher plate forward and hook on mounting bolt. Be sure hang tab hooks top of deck opening.
- Assemble flat washer, lock washer and wing nut to mounting bolt and tighten securely.

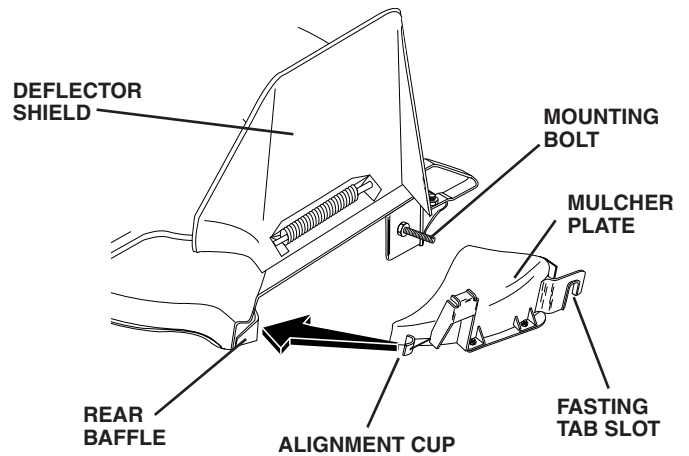


FIG. 3

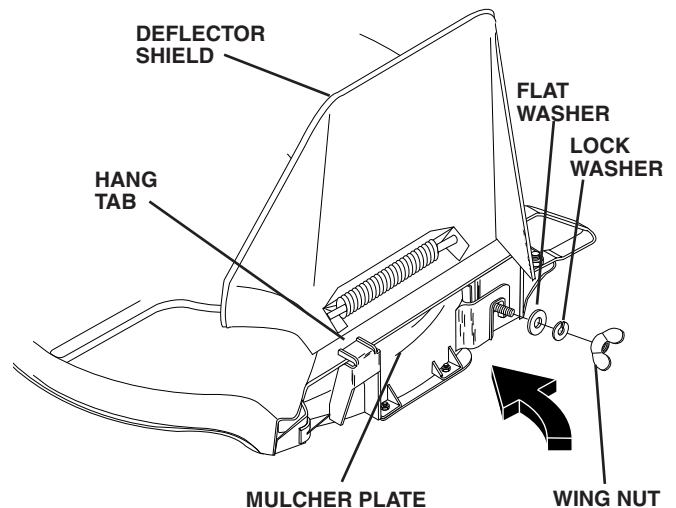


FIG. 4

TO CONVERT TO BAGGING OR DISCHARGING

Simply remove mulcher plate and store in a safe place. Your mower is now ready for discharging or installation of optional grass catcher accessory.

NOTE: It is not necessary to change blades. The mulcher blades are designed for discharging and bagging also.

MULCHING MOWING TIPS

IMPORTANT: FOR BEST PERFORMANCE, KEEP MOWER HOUSING FREE OF BUILT-UP GRASS AND TRASH. CLEAN AFTER EACH USE.

- The special mulching blade will recut the grass clippings many times and reduce them in size so that as they fall onto the lawn they will disperse into the grass and not be noticed. Also, the mulched grass will biodegrade quickly to provide nutrients for the lawn. Always mulch with your highest engine (blade) speed as this will provide the best recutting action of the blades.
- Avoid cutting your lawn when it is wet. Wet grass tends to form clumps and interferes with the mulching action. The best time to mow your lawn is the early afternoon. At this time the grass has dried and the newly cut area will not be exposed to the direct sun.

- For best results, adjust the mower cutting height so that the mower cuts off only the top one-third of the grass blades (See Fig. 5). For extremely heavy mulching, reduce your width of cut and mow slowly.

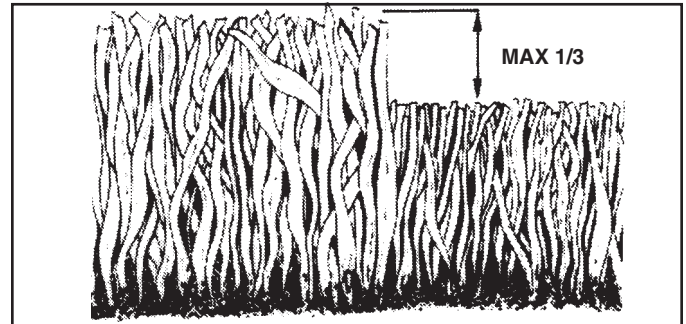


FIG. 5

- Certain types of grass and grass conditions may require that an area be mulched a second time to completely hide the clippings. When doing a second cut, mow across or perpendicular to the first cut path.
- Change your cutting pattern from week to week. Mow north to south one week then change to east to west the next week. This will help prevent matting and graining of the lawn.

REPAIR PARTS

MODEL NO. MK380, PRODUCT NO. 954 04 04-31

FOR FUTURE REFERENCE AND REPAIR PARTS ORDERING, KEEP THIS INSTRUCTION SHEET WITH YOUR TRACTORS OWNER'S MANUAL

KEY NO.	PART NO.	DESCRIPTION
1	532134148	Blade, Mulching
2	532132803	Cover, Mulcher
3	874930620	Bolt, Hex 3/8-16 x 1-1/4
4	873930600	Locknut 3/8-16
5	819132016	Washer 13/32 x 1-1/4 x 16 Ga.
6	810040600	Washer, Lock 3/8
7	532135651	Wing Nut
—	532135418	Sheet, Instruction

