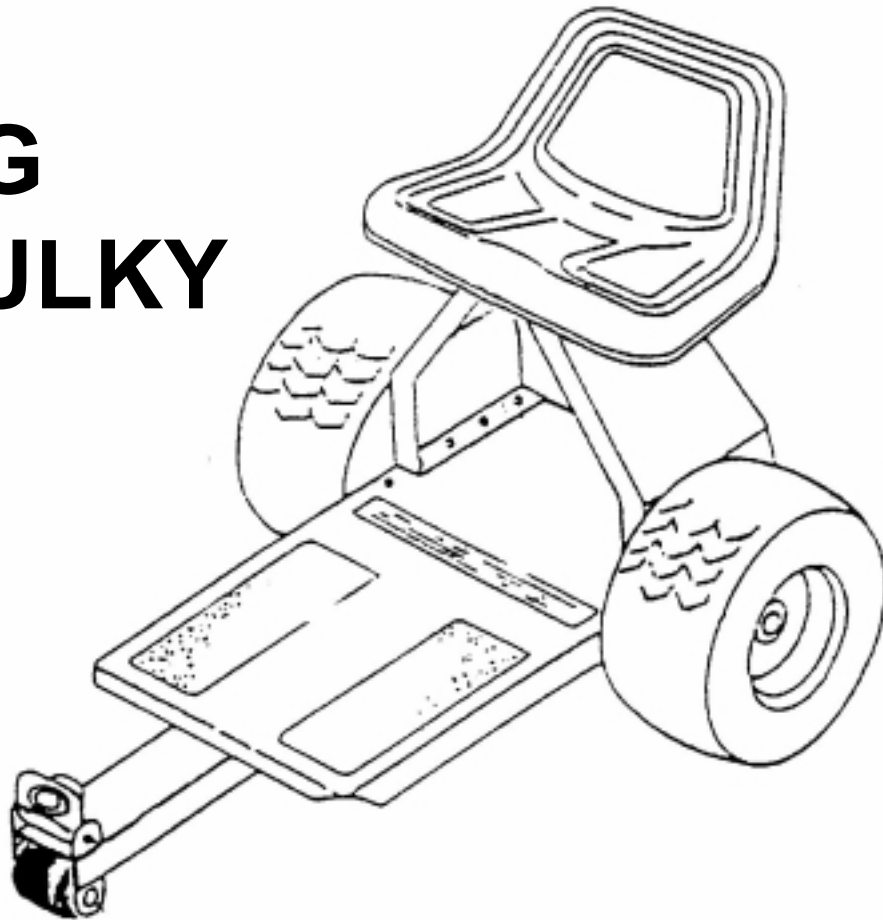




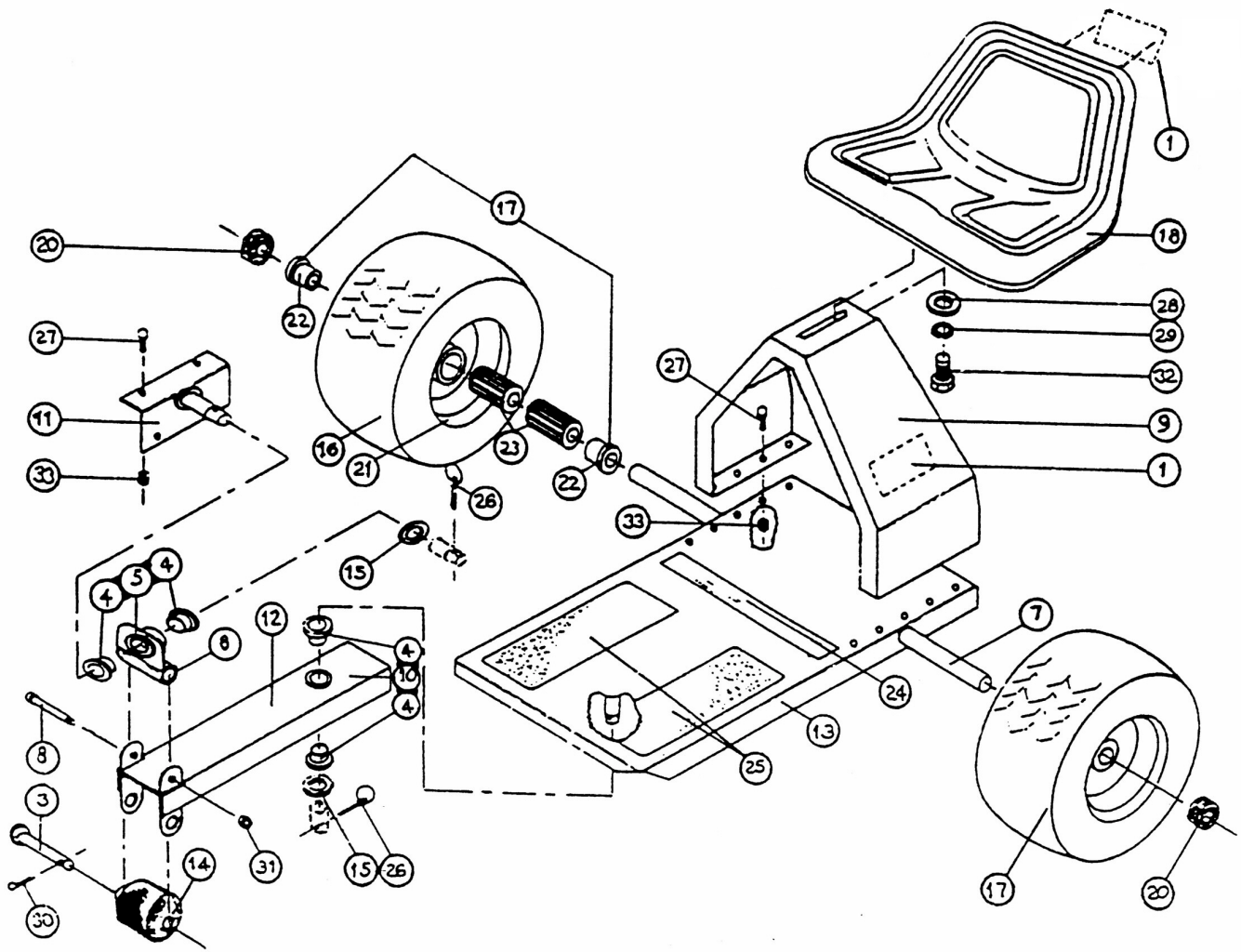
RIDING SULKY



Parts Manual for:

MODEL : 539104726

Husqvarna policy is to improve its products whenever it is possible and practical to do so. In an effort to keep pace with changes in technology, Husqvarna reserves the right to make changes or improvements at any time without incurring any obligation to make such changes on products previously manufactured.



ITEM	PART NO.	QTY.	DESCRIPTION
1	539104789	3	Decal, Crown
3	539102134	1	Clevis Pin 1/2 x 4
4	539100173	4	Shoulder Bushing
5	539104536	1	Cross Weldment
6	539104537	1	Cross Assembly (Incl. #5 & 4)
7	539104538	1	Axle Weldment
8	539100200	1	Shoulder Bolt 1/2 x 3-1/4
9	539104539	1	Seat Mounting Weldment
10	539104540	1	Tongue Weldment
11	539104541	1	Hitch Weldment
12	539104542	1	Tongue Assembly (Incl. #10 & 4)
13	539104543	1	Deck w/Decal & Pads (Incl. #24 & 25)
14	539101128	1	Roller
15	539923787	4	7/8" Machinery Bushing
16	539923788	2	Tire, 13 x 6.5

ITEM	PART NO.	QTY.	DESCRIPTION
17	539104616	2	Tire Assy., Complete (Incl. #16, 19, 22, & 23)
18	539976597	1	Sulky Seat
19	539976998	2	Zerk, 1/4-28 Straight
20	539977000	2	Clamp Collar, 7/8 I. D.
22	539977312	4	Flange Bearing
23	539977313	4	Roller Bearing
24	539977774	1	Warning Decal
25	539977778	2	Abrasive Pad
26	539977780	2	Lynch Pin
27	539990209	12	5/16-18 x 1 HHCS
28	539990250	1	1/2" Flat Washer
29	539990254	1	1/2" Split Lock Washer
30	539990297	1	Cotter Pin 1/8 x 1-1/2
31	539990546	1	3/8-16 HN, Center Lock
32	539990646	1	1/2-13 x 1 HHCS
33	539990717	12	5/16-18 HN, Nylon Insert

MODEL 539104726 RIDING SULKY

INTRODUCTION

This manual covers the set-up, and proper SAFE operation of MODEL 539104726 RIDING SULKY.

When riding the SULKY, always follow the safety and operating instructions below as well as those covered in the Commercial Mower Operator's Manual:

SAFETY/OPERATING INSTRUCTIONS

1. Do not modify sulky nor use it on non-approved machines.
2. Make sure that sulky is properly attached to machine and is in good working order prior to use.
3. Only one rider (the machine operator) per sulky.
4. Do not allow use by untrained operators.
5. Use appropriate personal protective apparatus (ppa) such as boots, gloves, etc..
6. Practice operation of machine without attachment until familiar with the controls.
7. Practice operation of the machine with sulky attached on large open, level terrain with no obstacles present before use. The sulky will affect the machine operation, especially on slopes, when turning, and when stopping.
8. Do not ride sulky over curbs, rocks, roots or other obstructions.
9. Slow down before making turns and use extra caution on rough terrain and on slopes.
10. Travel across slopes is recommended, avoid operation on steep slopes.
11. Avoid making sharp turns / jack knifing.
12. Keep feet on foot rest at all times.
13. Never tow loads behind sulky.
14. Look behind and down before backing up to be sure of a clear path. Use extra care when operating in reverse. Note: Before operating in reverse, the operator must dismount (type II, III, and V) sulkies.
15. Use extra care when loading and unloading the machine with sulky attached.

TECHNICAL ASSISTANCE

If you have any questions pertaining to your machine contact your dealer. To locate the nearest dealer please call: 1-800-HUSKY-62.

For technical assistance please write: Husqvarna, 9906 Perimeter Woods Drive, Charlotte, NC, 28216 or call: 1-800-HUSKY-MD.

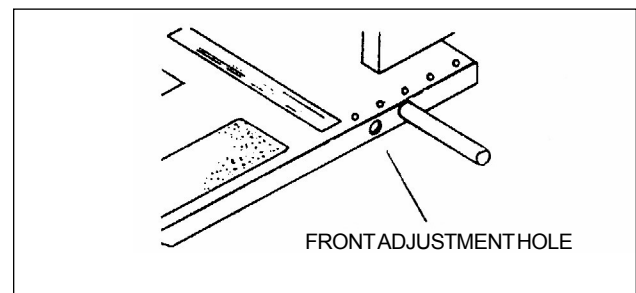
ASSEMBLY

Before starting assembly, refer to illustration for proper location of parts and fasteners.

STEP 1: Remove all parts from carton and inspect for shipping damage. Remove tire assemblies (17) and clamp collars (20) from axle (7).

STEP 2: Insert axle (7) with tab up, through hole in deck (13) flange, from inside, slide through far enough for other end of axle to clear opposite flange, swing up and slide into opposite hole until tab contacts flange.

Axle may also be inserted into front hole in the deck flange when the seat and seat mount are in the forward position.



STEP 4: Remove lynch pin (26) and 1 bushing (15) from pivot pin on underside of deck (13). Place tongue assembly (12) and bushing (15) on pivot pin, secure by inserting lynch pin (26) through cross hole of pivot pin and lock in place.

STEP 5: Place seat (18) on mounting weldment (9) and secure with flat washer (28), lock washer (29) and bolt (32). Adjust to desired position and tighten securely.

STEP 6: Attach hitch weldment (11) to rear flange of mower case with bolt (27) and nut (33). NOTE: Bolts are to be inserted from outside and nuts attached from underside of mower case.

STEP 7: Check and tighten all fasteners. Check tire pressure (28 psi MAX). Apply lubrication to wheel bearing through grease fitting in wheel until visible between clamp collar and wheel bearing flange.

 **Husqvarna**