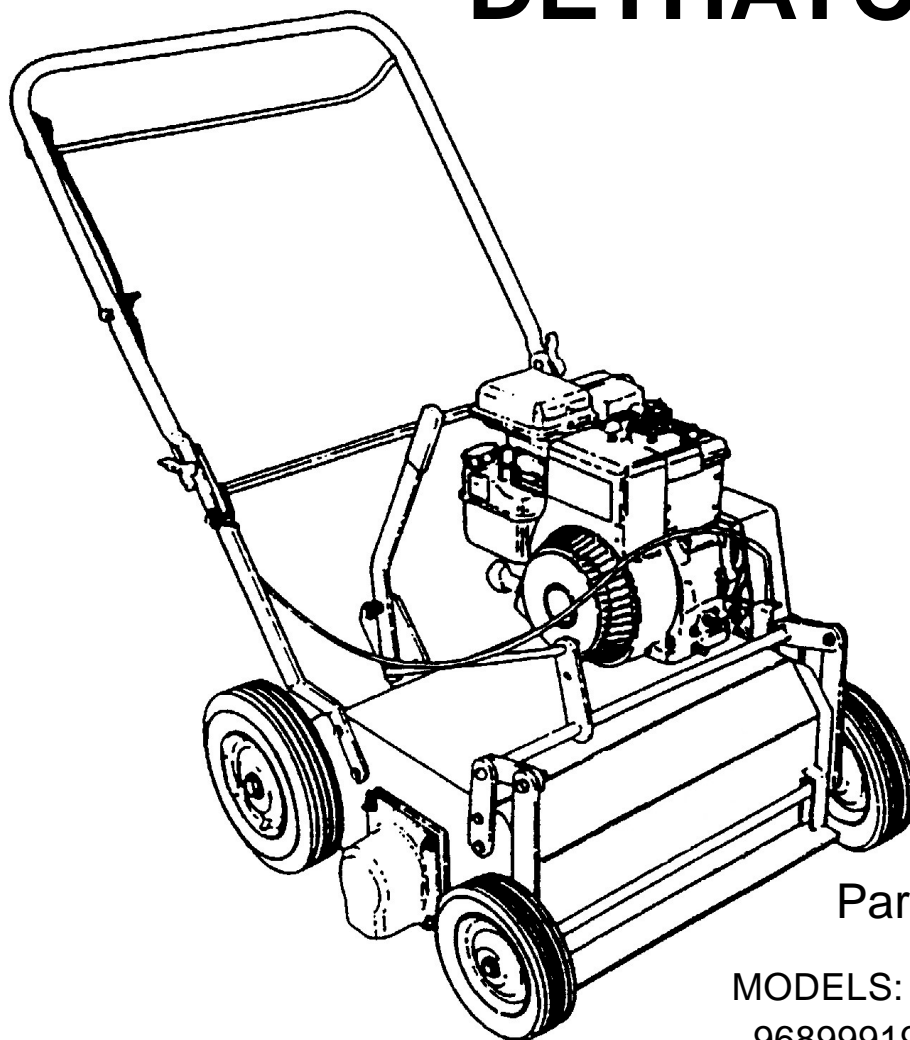


# Husqvarna

## DETHATCHER



Parts Manual

MODELS:

968999190 / DT20

968999191 / DTB20A

968999192 / DTH20A

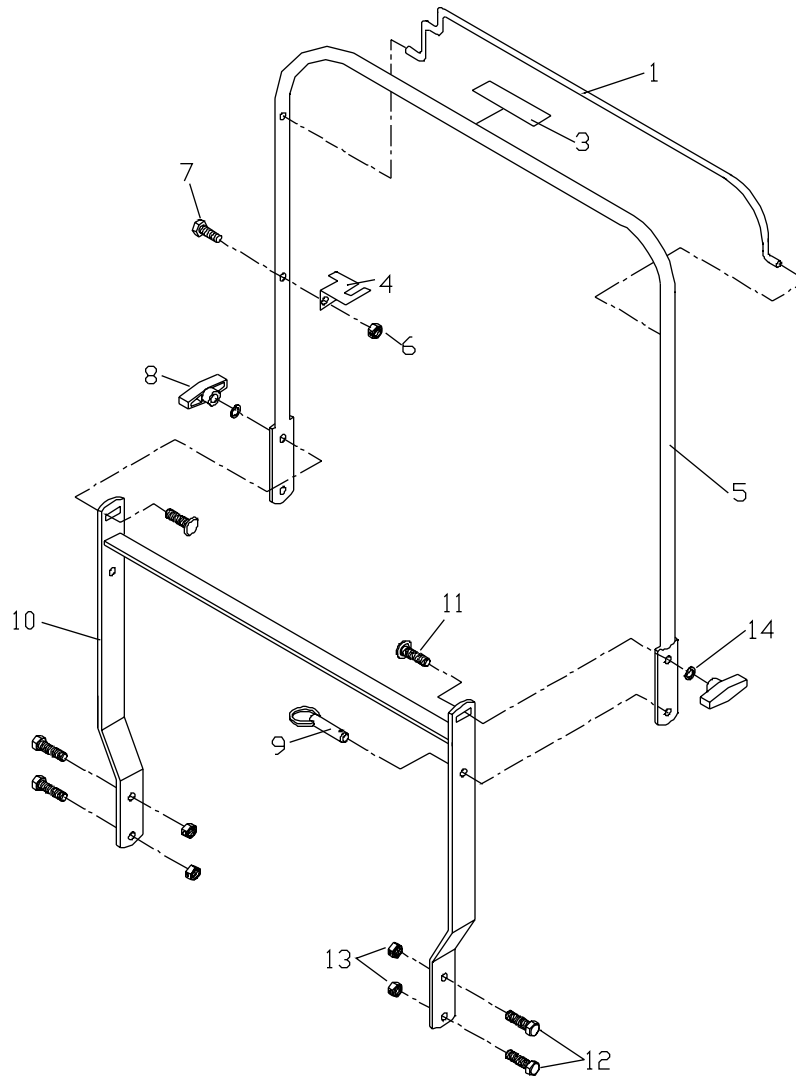
**Husqvarna Turf Care** policy is to improve its products whenever it is possible and practical to do so. In an effort to keep pace with changes in technology, Husqvarna reserves the right to make changes or improvements at any time without incurring any obligation to make such changes on products previously manufactured.

**SERVICE RECORD**

Model No. \_\_\_\_\_  
Serial No. \_\_\_\_\_

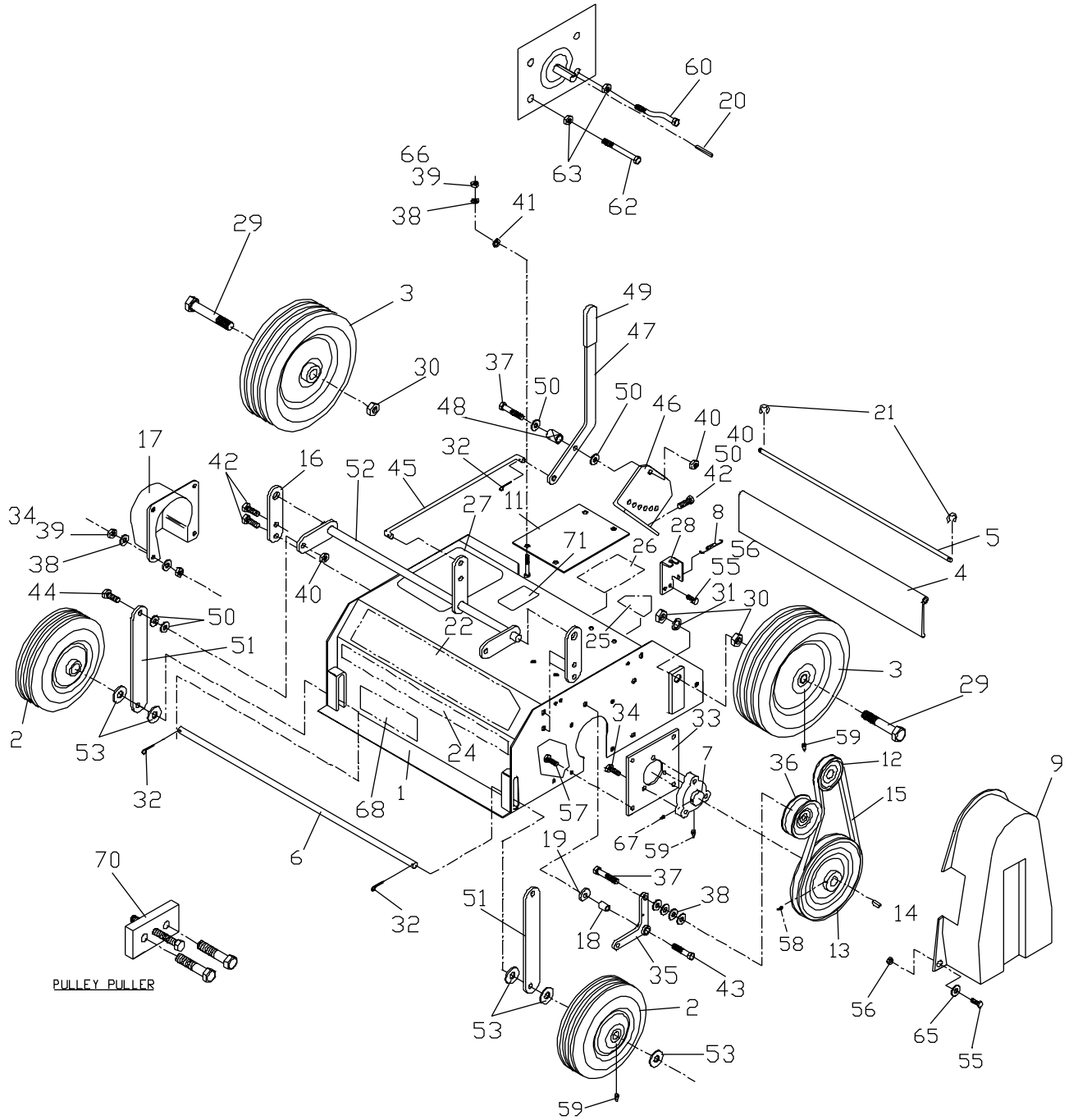
**NOTES**

# Handle Assembly



ITEM	PART NO.	QTY.	DESCRIPTION
1	539100491	1	CLUTCH BAIL
2	539100492	1	CLUTCH CABLE(NOT SHOWN)
3	539100493	1	CLUTCH CONTROL DECAL
4	539100494	1	CABLE MOUNTING BRACKET
5	539100483	1	UPPER HANDLE
6	539976978	1	1/4-20 NYLOC NUT
7	539990639	1	1/4-20 X 1-1/2 HCS
8	539100481	2	KNOB
9	539100518	2	DETENT PINASSEMBLY
10	539100507	1	LOWER HANDLE
11	539100472	2	5/16-18 X 1-1/4 CARRIAGE BOLT
12	539990563	4	3/8-16 X 1 HCS
13	539976979	4	3/8-16 NYLOC NUT
14	539990187	2	5/16 LOCK WASHER

# Body Assembly

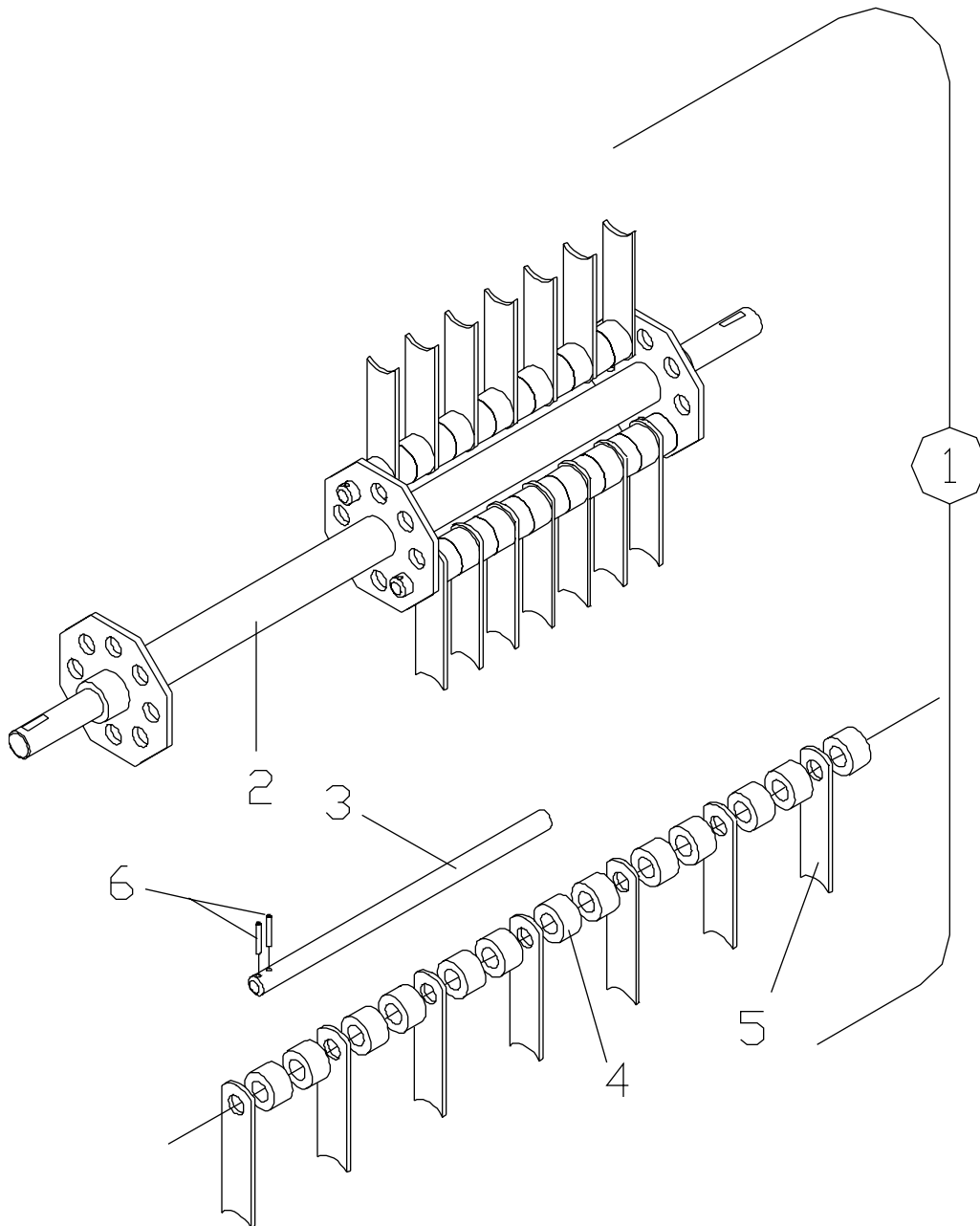


# Body Assembly

ITEM	PART NO.	QTY.	DESCRIPTION	ITEM	PART NO.	QTY.	DESCRIPTION
1	539104550	1	DETHATCHER BODY W/DECALS	38	539990692	16	5/16 FLAT WASHER
1	539100873	1	SLICER BODY W/DECALS	39	539990717	22	5/16-18 NYLOC NUT
2	539104549	2	FRONT WHEEL	40	539976979	11	3/8-16 NYLOC NUT
3	539104548	2	REAR WHEEL	41	539990187	4	5/16 LOCK WASHER
4	539100508	1	DEFLECTOR SHIELD	42	539990563	6	3/8-16 X 1 HCS
5	539100512	1	DEFLECTOR ROD	43	539990655	1	3/8-16 X 1-1/2 HCS
6	539100509	1	FRONT AXLE	44	539976941	2	3/8-16 X 1-1/2 HCS
7	539100488	2	FLANGED BEARING	45	539100496	1	LINKAGE ARM
8	539976564	1	EXTENSION SPRING	46	539976121	1	ADJUSTMENT GAUGE
9	539976086	1	BELT GUARD	47	539100498	1	ADJUSTING LEVER
11	539100480	1	ENGINE PAD	48	539976438	1	COMPRESSION SPRING
12	539100516	1	ENGINE DRIVE PULLEY	49	539976526	1	LEVER GRIP
13	539100511	1	MAIN SHAFT PULLEY	50	539990517	8	3/8 FLAT WASHER
14	539910211	1	#9 WOODRUFF KEY	51	539100501	2	LIFT ARM
15	539100439	1	DRIVE BELT	52	539100500	1	HEIGHT ADJUSTING ROD
16	539100513	2	PIVOT ARM	53	539990550	6	1/2 FLAT WASHER
17	539976524	1	SHAFT GUARD	55	539990072	5	1/4-20 X 5/8 HCS
18	539100482	1	OILITE BEARING	56	539976978	5	1/4-20 NYLOC NUT
19	539100514	1	SPACER	57	539990206	4	5/16-18 X 3/4 HCS
20	539100471	1	3/16 X 1-3/4 SQUARE KEY	58	539976956	3	5/16-18 X 3/8 SET SCREW
21	539100470	2	5/16 RETAINING RING	59	539976998	6	1/4-28 STR. ZERK
22	539104790	1	DECAL, HUSQVARNA	60	539100521	1	BELT GUIDE, OFFSET
24	539104793	1	DECAL, DT20	62	539100573	1	5/16-24 X 2-3/4 HCS
25	539913010	1	DECAL, WARNING SM.	63	539100561	2	5/16-24 HEX JAM NUT
26	539100342	1	DECAL, WARNING LG.	65	539990598	3	1/4 FLAT WASHER
27	539100506	1	DECAL, ADJUSTING	66	539990669	4	5/16-18 X 1-3/4 HCS
28	539100504	1	CABLE BRACKET	67	539977679	2	#10-32 X 1/4 SET SCREW
29	539100464	2	5/8 X 4 AXLE BOLT	68	539105071	1	DECAL, NASCAR
30	539100476	4	5/8-11 HEX JAM NUT	70	539100907	1	PULLEY PULLER (OPT.)
31	539990333	2	5/8 LOCK WASHER	71	539101881	1	DECAL, WARNING
32	539990365	4	1/8 X 3/4 COTTER PIN	72	539103564*	1	EXHAUST DEFLECTOR
33	539100487	2	END PLATE	73	539103563*	1	SPARK ARRESTOR
34	539100469	10	5/16-18 X 1-1/4 TAP BOLT	74	539103565*	3	SCREW
35	539100485	1	BELL CRANK	75	539105298*	1	MUFFLER EXTENSION
36	539919078	1	IDLER PULLEY				( For Briggs Intek engine only.)
37	539990588	2	3/8-16 X 2 HCS				

\* Not Shown In Parts Illustration ( Items 72, 73, 74 used on Honda engine only. )

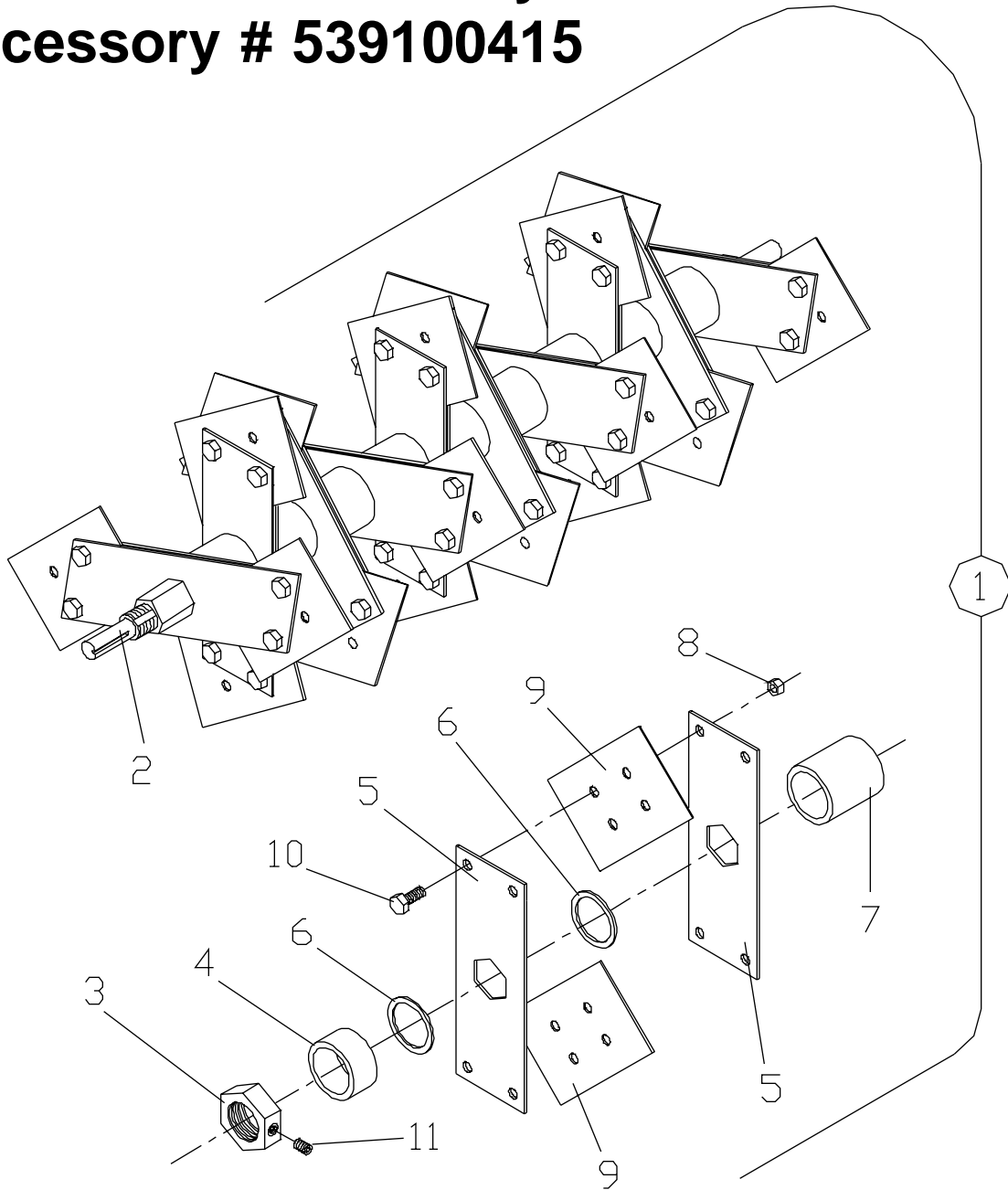
# Dethatcher Shaft Assembly Accessory # 539100414



ITEM	PART NO.	QTY.	DESCRIPTION
1	539100414	1	DETHATCHER SHAFT, COMPLETE
2	539100524	1	DETHATCHER SHAFT
3	539100525	4	SATELLITE SHAFT
4	539100526	52	SPACER
5	539100527	28	FINGER
6	539100528	8	1/8 X 7/8 ROLL PIN

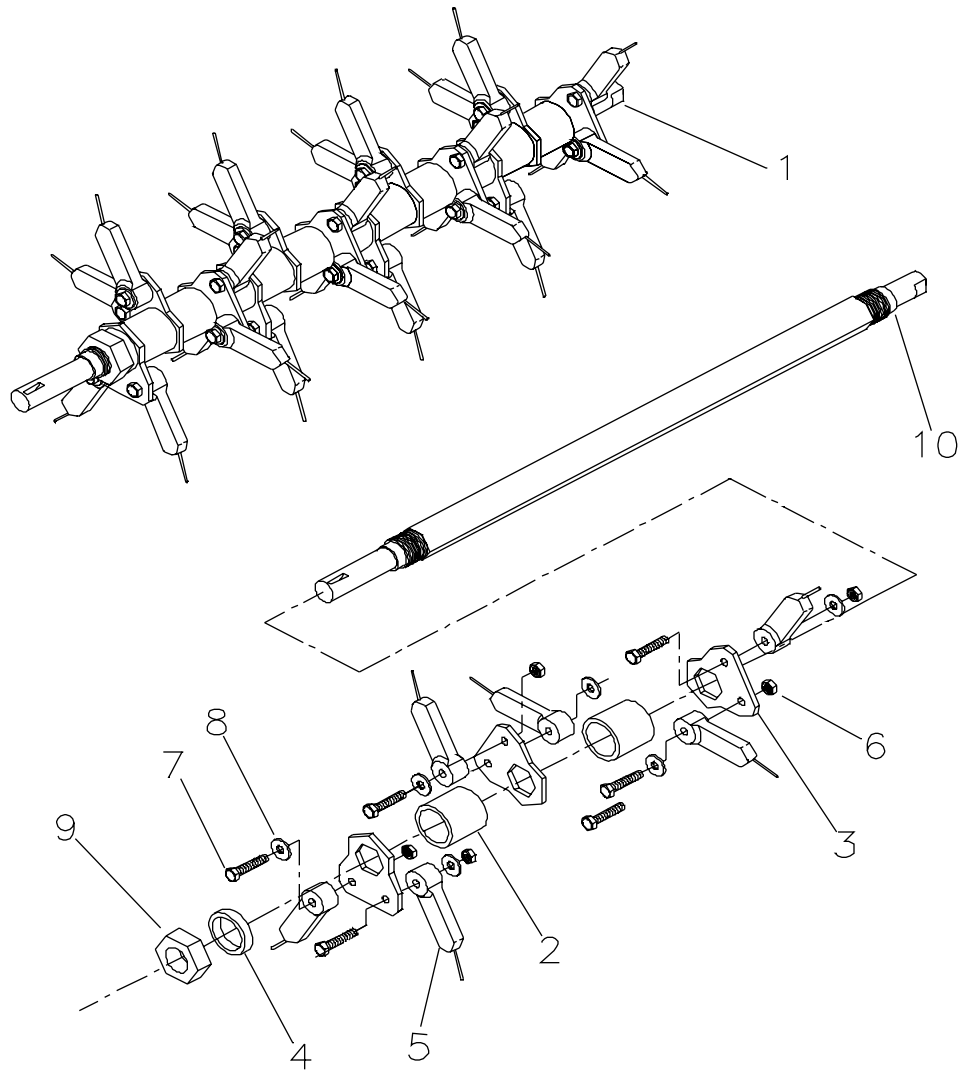
# Slicer Shaft Assembly

## Accessory # 539100415



ITEM	PART NO.	QTY.	DESCRIPTION
1	539100415	1	SLICER SHAFT, COMPLETE
2	539100529	1	SLICER SHAFT
3	539100530	2	JAM NUT W/SET SCREW
4	539100531	2	SLEEVE SPACER, SHORT
5	539100532	20	BLADE HOLDER PLATE
6	539100533	12	BLADE WASHER
7	539100534	9	SLEEVE SPACER, LONG
8	539976978	40	1/4-20 NYLOC NUT
9	539100536	20	SLICER BLADE
10	539990072	40	1/4-20 X 5/8 HCS
11	539976956	2	5/16-18 X 3/8 SET SCREW

# Spring Tine Shaft Assembly Accessory # 539103556

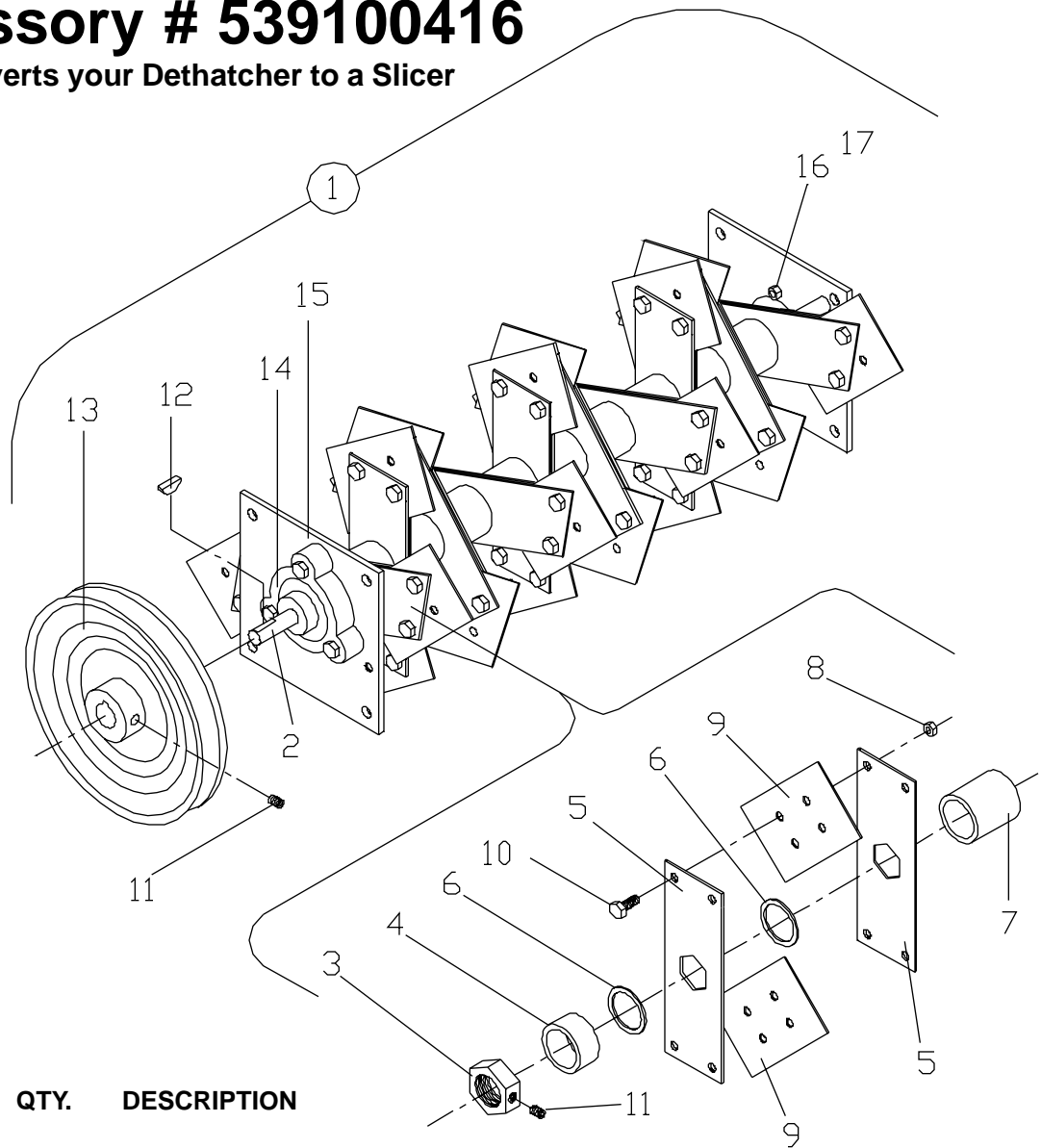


ITEM	PART NO.	QTY.	DESCRIPTION
1	539103556	1	RAKE SHAFT, COMPLETE
2	539103550	11	SPACER, LONG
3	539103548	12	PLATE, SPRINGTONE
4	539103551	2	SPACER, SHORT
5	539103553	24	SPRING, TINE
6	539976978	24	1/4-20 NYLOC NUT
7	539100266	24	1/4 X 1-1/4 HCS
8	539990598	24	1/4 FLAT WASHER
9	539100530	2	JAM NUT W/SET SCREW
10	539103552	1	SHAFT, SPRINGTINE



# "Quick-Change" Slicer Shaft Conversion Accessory # 539100416

This kit converts your Dethatcher to a Slicer



ITEM	PART NO.	QTY.	DESCRIPTION
1	539100416	1	SLICER SHAFT, QUICK CHANGE
2	539100529	1	SLICER SHAFT
3	539100530	2	JAM NUT W/SET SCREW
4	539100531	2	SLEEVE SPACER, SHORT
5	539100532	20	BLADE HOLDER PLATE
6	539100533	12	BLADE WASHER
7	539100534	9	SLEEVE SPACER, LONG
8	539976978	40	1/4-20 NYLOC NUT
9	539100536	20	SLICER BLADE
10	539990072	40	1/4-20 X 5/8 HCS
11	539976956	2	5/16-18 X 3/8 SET SCREW
12	539910211	1	#9 WOODRUFF KEY
13	539100511	1	MAIN SHAFT PULLEY
14	539100488	2	FLANGED BEARING
15	539100487	2	END PLATE
16	539100469	6	5/16-18 X 1-1/4 TAP BOLT
17	539990717	6	5/16-18 NYLOC NUT

 **Husqvarna**