

**580 R, 580 RS, 580 RSE, 580 RSW, 600 C**

---

**Owner's Manual**



# CONTROLS AND FEATURES

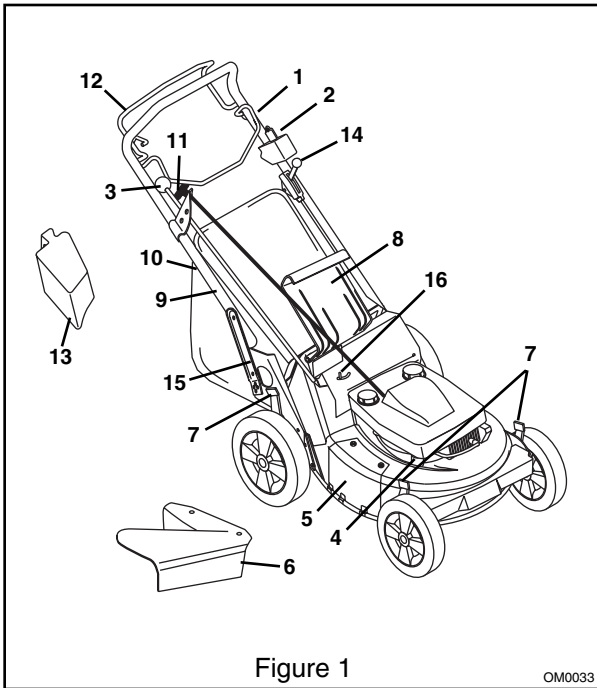


Figure 1

OM0033

11. Poignée du démarreur manuel
12. Commande de l'entraînement des roues (tondeuses autotractées)
13. Déflecteur à paillis Mulch
14. Commande des gaz (modèle professionnel)
15. Trous de réglage du guidon
16. Indicateur de vitesse

## ESPAÑOL

1. Control del motor
2. Control del arranque eléctrico (modelos de arranque eléctrico)
3. Selector de velocidad
4. Cebador
5. Cubierta de la descarga lateral
6. Deflector de la descarga lateral
7. Palancas de la altura de corte (ajustadores de la rueda)
8. Puerta trasera
9. Manillares ajustables y plegables
10. Bolsa de recolección del césped
11. Manilla de arranque de retroceso
12. Control de la transmisión de la rueda (autopropulsión)
13. Tapón Mulch
14. Control del acelerador (profesional)
15. Agujeros para el ajuste del manillar
16. Indicador de velocidad

## ENGLISH

1. Engine Control
2. Ignition Switch (Electric Start Models)
3. Speed Selector (Self-propelled)
4. Primer (Briggs Engine)
5. Side Discharge Cover
6. Side Discharge Deflector
7. Cutting Height Levers (2 Rear Wheel Adjusters, 2 Front Wheel Adjusters)
8. Rear Door
9. Adjustable and Folding Handlebars
10. Grass Bag
11. Recoil Starter Handle
12. Wheel Drive Control (Self-Propelled)
13. Mulch Plug
14. Throttle Control (Robin Engines)
15. Handlebar Adjustment Holes
16. Speed Indicator (Self-propelled)

## FRANÇAIS

1. Commande moteur
2. Commutateur de contact (Modèles à démarreur électrique)
3. Sélecteur de vitesse
4. Poire d'amorçage
5. Plaque de fermeture latérale
6. Déflecteur de décharge latérale
7. Leviers de hauteur de coupe (réglage par les roues)
8. Trappe arrière
9. Guidon réglable et pliable
10. Sac à herbe



## WARNING



The engine exhaust from this product contains chemicals known to the State of California to cause cancer, birth defects or other reproductive harm.

# TABLE OF CONTENTS

Controls and Features .....	3	Service and Adjustments .....	18
Introduction .....	4	Storage .....	21
Safety .....	5	Troubleshooting .....	22
Assembly .....	9	Accessories .....	22
Operation .....	10	Specifications .....	23
Maintenance .....	14	Warranty .....	24

## INTRODUCTION

### THE MANUAL

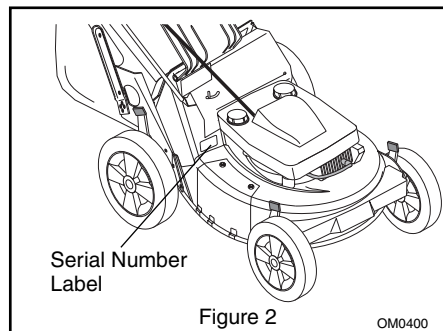
Before operation of unit, carefully and completely read your manuals. The contents will provide you with an understanding of safety instructions and controls during normal operation and maintenance.

All reference to left, right, front, or rear are given from the operation position, facing the direction of forward travel.

### SERVICE AND REPLACEMENT PARTS

When ordering replacement parts or making service inquiries, know the Model and Serial numbers of your unit and engine.

Numbers are located on the product registration form in the unit literature package. They are also printed on a serial number label, located on the frame of your unit (Figure 2).



• Record Unit Model and Serial numbers here

• Record Engine Model & Serial numbers here

### PRODUCT REGISTRATION

Please fill out and return the Warranty Registration Card to Husqvarna. This card activates the warranty. Claims meeting requirements during limited warranty period will be honored.

### UNAUTHORIZED REPLACEMENT PARTS

Use only Husqvarna replacement parts. The replacement of any part on this vehicle with anything other than a Husqvarna authorized replacement part may adversely affect the performance, durability, or safety of this unit and may void the warranty. Husqvarna disclaims liability for any claims or damages, whether warranty, property damage, personal injury or death arising out of the use of unauthorized replacement parts.

### DEALER DELIVERY

Dealer should:

1. Check to make sure all assembly and adjustments have been properly completed.
2. Fill out Original Purchaser Registration Card and return the card to Husqvarna.
3. Explain Husqvarna Limited Warranty Policy.
4. Explain recommended lubrication and maintenance. Advise customer on adjustments. Remind customer to change oil in 4 cycle engine crankcase after first two (2) hours of operation.
5. Instruct customer on controls and operation of unit. Discuss and emphasize the Safety Precautions. Give customer Owner/Operator, Parts, and Engine manuals. Advise customer to thoroughly read and understand them.

## DISCLAIMER

Husqvarna reserves the right to discontinue, make changes to, and add improvements upon its products at any time without public notice or obligation. The descriptions and specifications contained in this manual were in effect at printing. Equipment described within this manual may be optional. Some illustrations may not be applicable to your unit.

## SAFETY

### SAFETY ALERTS



Look for these symbols to point out important safety precautions. They mean:



**Attention!**

**Personal Safety Is Involved!**

**Become Alert!**

**Obey The Message!**

The safety alert symbols above and signal words below are used on decals and in this manual.

Read and understand all safety messages.



**DANGER: IMMINENTLY HAZARDOUS SITUATION!** If not avoided, **WILL RESULT** in death or serious injury.



**WARNING: POTENTIALLY HAZARDOUS SITUATION!** If not avoided, **COULD RESULT** in death or serious injury.



**CAUTION: POTENTIALLY HAZARDOUS SITUATION!** If not avoided, **MAY RESULT** in minor or moderate injury. It may also be used to alert against unsafe practices.

### NOTATIONS

**NOTE:** General reference information for proper operation and maintenance practices.

**IMPORTANT:** Specific procedures or information required to prevent damage to unit or attachment.

### PRACTICES AND LAWS

Practice usual and customary safe working precautions, for the benefit of yourself and others. Understand and follow all safety messages. Be alert to unsafe conditions and the possibility of minor, moderate, or serious injury or death. Learn applicable rules and laws in your area.

### REQUIRED OPERATOR TRAINING

Original purchaser of this unit was instructed by the seller on safe and proper operation. If unit is to be used by someone other than original purchaser; loaned, rented or sold, **ALWAYS** provide this manual and any needed safety training before operation.

# SAFETY DECALS AND LOCATIONS

ALWAYS replace missing or damaged Safety Decals. Refer to Figure 3 for Safety Decal locations.

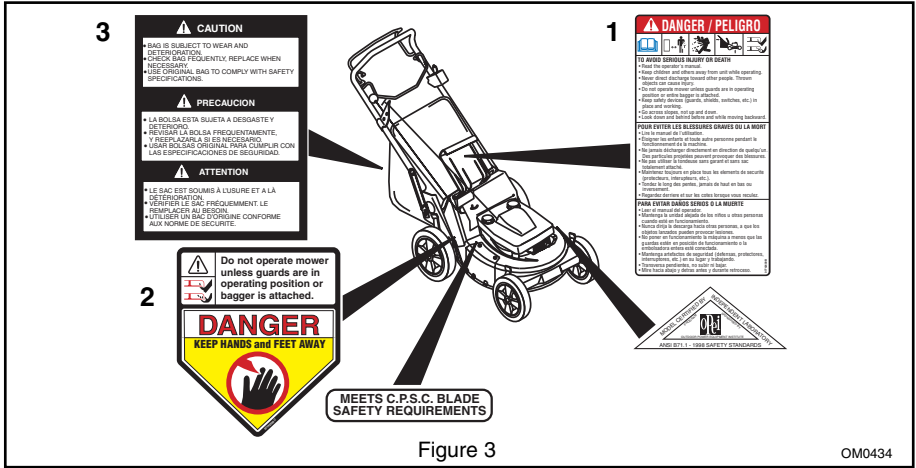


Figure 3

OM0434

## 1. DANGER TO AVOID SERIOUS INJURY OR DEATH



OL1801

Read the operator's manual.



OL4370

Keep children and others away from unit while operating.



OL0910

Never direct discharge toward other people. Thrown objects can cause injury.



OL4540

Do not operate mower unless guards are in operating position or entire bagger is attached.



OL3030

Keep safety devices (guards, shields, switches, etc.) in place and working.

- Go across slopes, not up and down.
- Look down and behind before and while moving backwards.

## 2. DANGER KEEP HANDS AND FEET AWAY

Do not operate mower unless guards are in operating position or bagger is attached.

### 3. CAUTION!

- Bag is subject to wear and deterioration.
- Check bag frequently, replace when necessary.
- Use original bag to comply with safety specifications.

## SAFETY RULES

### Operational

Inspect unit and work area before operation.

Clear work area of objects which might be picked up and thrown. Remove all stones, sticks, wires, and other foreign objects. Tall grass can hide obstacles.

Only Trained Adults may operate unit. Training includes actual operation.

Keep equipment in good condition.

ALWAYS keep discharge cover in place.

NEVER operate the engine with the Rear Door open unless the Grass Bag is in place.

When mulching, the Side Discharge Opening Cover must be installed and the Rear Door fully closed whenever the engine is operating.

DO NOT pull mower backwards unless absolutely necessary. Look down and back before and while moving backwards.

DO NOT start the engine or operate mower unless either the Side Discharge Opening Cover or the Side Discharge Deflector is installed.

Keep the area of operation clear of all persons, children and pets.

ALWAYS clear area before operation to avoid thrown objects.

Stop mower if anyone enters the area.

Keep safety devices or guards in place and functioning properly. NEVER modify or remove safety devices.

ALWAYS keep hands away from all rotating parts during operation.

Do not put hands or feet near or under rotating parts. Keep clear of the discharge opening and mower pan at all times. NEVER open the Rear Door without the Grass Bag in place when the engine is operating.

ALWAYS keep feet and hands away from all rotating parts during operation. Rotating parts can cut off body parts.

DO NOT mow at too fast a rate. DO NOT change engine governor setting or over-speed the engine.

ALWAYS operate unit when there is good visibility and light.

Use extra care when approaching blind corners, shrubs, trees, or other objects which may obscure vision.

ALWAYS be sure of your footing.

Do not operate mower in wet grass. Always be sure of your footing. Keep a firm hold on handlebar. Walk, never run.

If equipment vibrates abnormally, stop engine at once, wait for moving parts to stop and remove wire from spark plug. Repair any damage before restarting unit.

Avoid uneven work areas and any rough terrain.

Be familiar with area of operation. Stay alert for holes, rocks, roots, and hidden hazards in area of operation. Keep away from drop-offs, ditches or embankments. Operator could lose footing or balance.

DO NOT operate on steep slopes.

NEVER leave unit unattended on a slope. Chock wheels if parking on a slope.

Mow across the face of slopes, never up and down. Be especially cautious when changing direction on slopes.

Remove key when parking (electric start models).

Take all possible precautions when leaving unit unattended.

ALWAYS shut off engine, remove key (electric start models) and remove spark plug wire to prevent accidental starting or unauthorized use.

## **Personal**

Keep children out of work area and under the watchful care of an adult.

NEVER allow children to operate mower.

Turn the mower off if children enter the area.

NEVER direct discharge toward bystanders. The operator is responsible for the safety of bystanders.

Wear adequate safety gear, protective gloves and footwear.

Wear sturdy footwear. DO NOT operate mower barefoot or when wearing open sandals or canvas shoes.

Always wear safety goggles or safety glasses with side shields when operating mower.

NEVER wear loose clothing, jewelry or long hair that may get caught in rotating parts. Protect eyes, face and head from objects that may be thrown from unit.

NEVER operate after or during the use of medication, drugs or alcohol. Complete and unimpaired attention is required when operating unit.

ALWAYS stand clear of discharge when operating unit.

Do not operate mower on gravel or on loose material such as sand. Stop mower when crossing gravel drives, walks, or roads. Objects may be picked up and thrown, causing damage or injury.

DO NOT touch parts which are hot. Allow parts to cool.

Moving parts can cut or amputate fingers or a hand. Wrap blade(s) or wear gloves to service.

ALWAYS keep hands away from all pinch points.

Fumes from the engine exhaust can cause death or serious injury. DO NOT run engine in an enclosed area.

## **Service and Adjustments**

NEVER attempt to make any adjustments to unit while engine is running. Stop engine, remove key (electric start models) and wait for all moving parts to stop before servicing (except where specifically recommended).

DO NOT make cutting height wheel adjustments while the engine is running.

On self-propelled models, releasing wheel drive control must stop mower's forward movement. If this feature fails to operate, disconnect spark plug wire and repair before using unit. Wheel drive must be disengaged when starting engine.

Fuel is highly flammable and its vapors can explode. ONLY use approved fuel containers.

- NO Smoking!
- NO Sparks!
- NO Flames!
- Allow engine to cool before filling fuel tank.

Check fuel supply before starting engine.

DO NOT fill gasoline tank indoors, when engine is running, or while engine is still hot.

Allow engine to cool several minutes before removing fuel cap.

Replace gasoline tank cap securely and clean up any spilled fuel before starting engine.

Stop engine, wait for moving parts to stop, remove ignition wire and secure away from spark plug before attempting to: unclog, repair, adjust, inspect or clean unit.

To reduce fire hazard and overheating, keep equipment free of grass, leaves, debris or excessive lubricants.

### **Battery (electric start models)**

Avoid Electric Shock. DO NOT remove wire from spark plug while engine is running. Do not put battery in fire or mutilate.

Explosive Gases! Poisonous battery fluid contains sulfuric acid. Contact with skin, eyes or clothing can cause severe chemical burns.

No flames, No sparks, No smoking, near battery.

ALWAYS wear safety glasses and protective gear near battery.

ALWAYS KEEP BATTERIES OUT OF REACH of children.

### **Maintenance**

Follow engine manufacturer's safety instructions when servicing engine.

Keep all nuts, bolts, and screws tight and be sure equipment is in safe working condition.

Check all hardware at regular intervals, especially blade attachment bolts.

Use only replacement parts designed for your unit. See your Husqvarna Dealer.

Worn out mufflers are more than just a noise nuisance and should be replaced immediately. Continued use could result in fire or explosion.

ALWAYS block wheels and know all jack stands are strong and secure and will hold weight of unit during maintenance.

Check grass bag for wear, damage, and/or deterioration. Replace only with Husqvarna original equipment replacement part for safety.

### **Storage**

Allow engine to cool before storing in any enclosure.

Refer to Storage Section of this Owner's Manual for important instructions if unit is to be stored for extended periods.

ALWAYS clean unit before extended storage. See engine manual for proper storage.

DO NOT store unit inside a building with fuel in the fuel tank where any ignition sources are present.

### **Safety Interlock System**

Engine/Blade Control feature on mower will cause engine and blade to stop whenever operator releases control on handlebar. If feature fails to operate, disconnect spark plug wire and adjust or have it repaired before using unit.

### **Accessories**

Use only accessories which have been approved by Husqvarna and are properly installed.

### **Spark Arrestor**

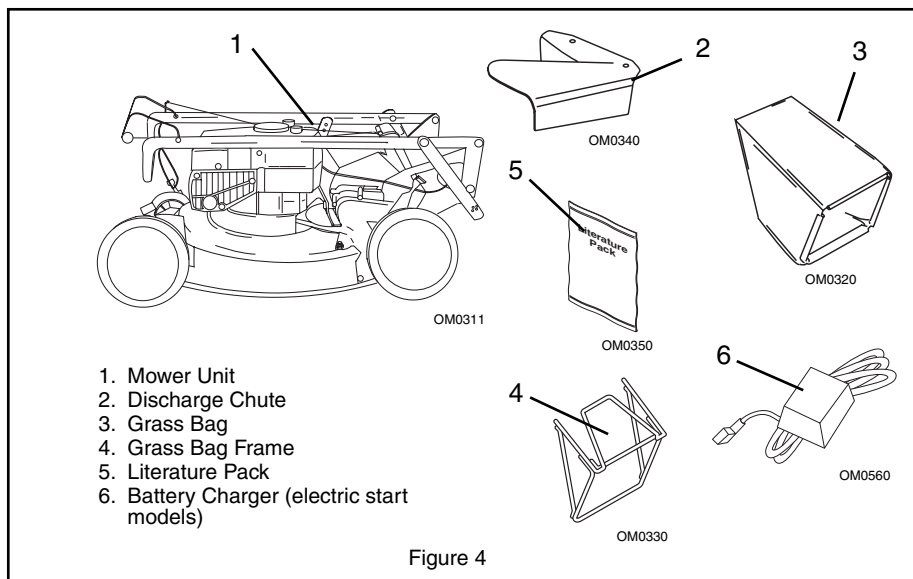
This product is equipped with an internal combustion engine. DO NOT use on or near any unimproved, forest or brush covered land unless the exhaust system is equipped with a spark arrestor meeting applicable local, state or federal laws. A spark arrestor, if used, must be maintained in effective working order by the operator. See your Husqvarna Dealer or engine manufacturer's service center.



# ASSEMBLY

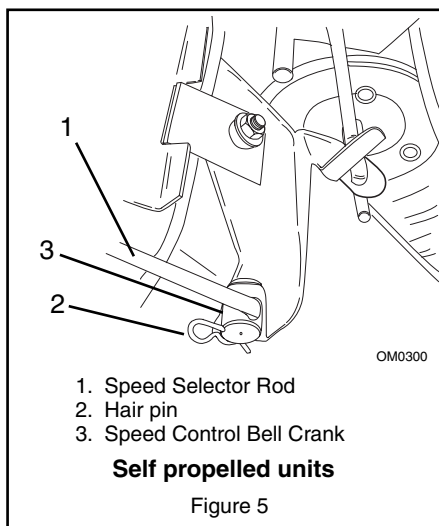
## TO REMOVE UNIT FROM CARTON

1. Cut off top of carton.
2. Remove front and rear inserts and literature pack.
3. Cut out back of carton and roll unit out.
4. Remove protective packaging materials.



## ASSEMBLY

1. Unfold and adjust handlebar.
2. Self propelled units: The Speed Selector rod is shipped on the handlebar with hardware in position. Remove hair pin, insert bent end of rod through hole in swivel of speed control bell crank, and retain with hair pin (Figure 5).
3. Assemble grass bag onto bag frame.
4. Configure mower for bagging, side discharge or mulching. See *Mower Configurations in Operation Section*.
5. Fully charge battery (electric start models). See *Service & Adjustments*.
6. Check the Engine/Blade Control feature. Engine and blade must stop within 3 seconds whenever control handlebar is released.
7. Fill fuel tank. See *Operation Section*.



# OPERATION

## CONTROLS AND FEATURES

See Figures 1 and 6 for Controls and Features.



**WARNING:** DO NOT attempt to start your engine at this time. Familiarize yourself with controls to see what they do and how they work. Thoroughly read and understand entire Operators Manual first.

### Engine/Blade Control



**CAUTION:** Check function of Engine/Blade Control regularly. Improper function of control could cause injury.

The Engine Control must be held against the handlebar in order to start the engine as well as during mowing operations to keep the engine running.

Releasing the control during operation stops the engine and blade.



### Handlebar

Handlebar adjusts to four positions by selecting holes in braces. Select a safe, comfortable height and place pin through hole in brace that is closest to that height. Refer to Adjustment Section for instructions.

### Recoil Starter Handle

When pulled, handle will turn engine over.

### Cutting Height – Standard Models



**DANGER:** To avoid inadvertent blade contact, NEVER attempt to make any cutting height adjustment while engine is running.



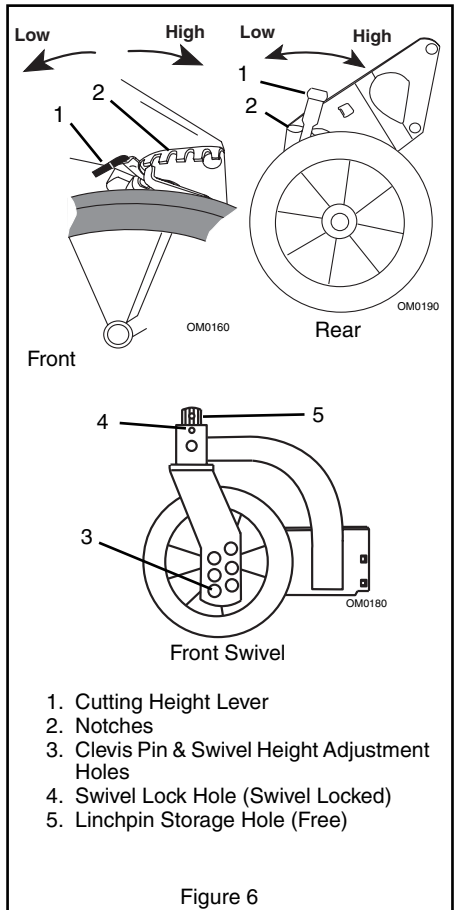
**CAUTION:** On self-propelled models, both rear wheels must be positioned at same height or traction drive may not clutch or operate properly.

To change cutting height, move cutting height levers one notch at a time on each wheel until desired height of cut is obtained. (Figure 6)

### Cutting Height Settings Chart

Notch	Cut grass length
LOW	1" (25 mm)
2	1-3/8" (35 mm)
3	1-3/4" (45 mm)
4	2-1/4" (57 mm)
5	2-3/4" (70 mm)
HIGH	3-1/4" (83 mm)

**NOTE:** Each wheel on mower must be set at the same height for a level cut.



## OPTIONAL CONTROLS

See Figures 1 and 6.

### Cutting Height – Swivel Models



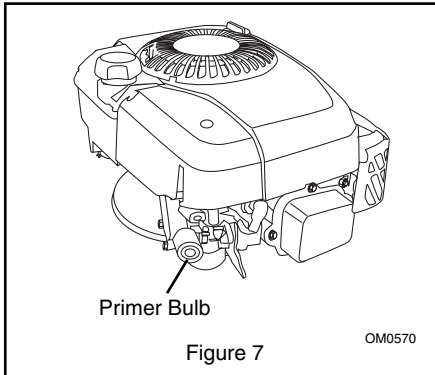
**CAUTION:** On swivel wheel models, when mowing on slopes it is recommended that the linchpin be positioned through the swivel lock hole. If wheels are in the swivel position and control handles are released the mower may “free roll” downhill. Never mow on steep slopes.

To change front wheel cutting height, insert clevis pin into the holes that correspond to the desired cutting height. (Figure 6).

To change rear wheel cutting height, move cutting height levers one notch at a time until the desired cutting height is obtained. (Figure 6).

### Primer Bulb (Briggs & Stratton Engine)

Push the Primer Bulb in to add fuel for easier engine start.



### Throttle/Choke (Robin Engine)

The Throttle controls the engine speed and chokes engine for starting.

### Speed Selector

Speed Selector is used to select variable forward travel speeds of mower.



High –Push selector all the way forward.

Low –Pull selector all the way rearward.

With Speed Selector set at a slow travel speed and engine running, engage Wheel Drive Control. Increase speed with Speed Selector to a safe, comfortable walking pace. Once speed has been selected, Speed Selector should remain in this position. If not, adjust speed control bell crank spring tension. (See *Adjustments*).

### Wheel Drive Control



**CAUTION:** Holding Wheel Drive control of self-propelled models against handlebar, when attempting to start mower, will propel mower forward.

With engine running, slowly squeeze and hold Wheel Drive Control against handlebar to propel mower forward. Release Wheel Drive Control to stop forward motion.

### Ignition Switch (electric start models)



The Ignition Switch is operated by a removable Key. To start the unit, the switch is turned clockwise from the "RUN" position to the "START" position. The key will spring back to the "RUN" position.

**RUN Position (1):** All controls are operable.

**START Position (2):** Starter turns over the engine.

## FILLING FUEL TANK



**WARNING: EXPLOSIVE VAPORS** and **FLAMMABLE FUEL** can result in serious injury or death. Handle fuel with care. **ALWAYS** use an approved fuel container.

**No Smoking! No Lighted Materials!**

**No Open Flame!**

Allow engine to cool before maintenance.

Gasoline is highly flammable and must be handled with care. Allow engine to cool several minutes before removing fuel tank cap. Never fill tank when engine is running or is hot from operation. **DO NOT** allow open flame, matches, or smoking in area. **DO NOT** overfill. Allow about 1/4" of tank space for fuel expansion. Wipe up any spills and allow vapors to dissipate before starting engine. Use approved (Red) gasoline container.

To add fuel to Fuel Tank:

1. Put unit in open or well-ventilated area.
2. Stop engine and allow to cool.
3. Clean Fuel Cap and surrounding area to prevent dust, dirt and debris from entering Fuel Tank.
4. Remove Cap.

**IMPORTANT:** **DO NOT** use gasohol or gasoline containing alcohol because alcohol will cause internal parts to deteriorate. See Engine Manual for correct type and grade of fuel.

5. Fill fuel tank. (See *Specifications* for tank capacity.)
6. Replace Fuel Cap and tighten.
7. **ALWAYS** clean up any spilled fuel.

### Mower Configurations



**CAUTION:** **DO NOT** operate mower unless either side discharge opening cover or side discharge deflector is installed. Objects may be picked up and thrown causing damage or personal injury. Never operate engine with rear door open unless grass bag is in place.

To configure your mower for bagging, side discharge or mulching, proceed as follows:

**Bagging:** Lift rear door, place bar of grass bag frame on lip of mounting flange and lower rear door. If necessary, lift rear of grass bag frame to lock in position.

Be sure there are no openings between bag and mounting surface after installing bag. If necessary clear bag mounting surface of debris.

To remove grass bag, lift rear door. Then with handle, lift bag up off mounting flange and close rear door.



**CAUTION:** Objects may be thrown. Check grass bag frequently for wear or deterioration. Replace worn or damaged bag with Husqvarna original equipment replacement bag only.

**Side Discharge:** With grass bag removed, remove two lock nuts and washers that secure side discharge opening cover to mower. Lift cover to free tabs from slots and remove cover from mower.

Position holes in side discharge deflector over studs on mower. Place tab on rear edge of deflector onto edge of discharge opening. Secure deflector with cover hardware.



**WARNING:** **NEVER** direct discharge of material toward bystanders. Do not allow anyone near equipment while unit is in operation.

**Mulching:** Remove grass bag and install side discharge opening cover. Open rear door and insert plug with the beveled face to the left. Rear door should close flush.

### STOPPING IN AN EMERGENCY

To stop the mower in an emergency situation, release both the engine/blade control bail and the wheel drive control bail from the handlebar. Allow all moving parts to stop before leaving operator's position.

## STARTING AND SHUT OFF

See Figures 1, 4 and 6 for all Controls and Features.

**NOTE:** Start engine on a hard level surface that is free of debris.

### Manual Start

1. Check each item in Before Each Use in the Maintenance Schedule.
2. For engines with a primer, push primer bulb 2 or 3 times for a cold engine.
3. For engines with a choke, place throttle control in the choke position. Once the engine has started, place throttle in the high speed detent.
4. With engine/blade control held against the handlebar, grasp starter handle and pull rope out slowly until it pulls harder. This is the compression stroke. Let rope rewind slowly. Then pull rope with rapid continuous full arm stroke to start engine. Allow rope to rewind slowly.

**IMPORTANT:** DO NOT let starter handle snap against engine.

5. Repeat until engine starts. (If engine does not start, refer to *Troubleshooting*.)

### Electric Start

1. Check each item in Before Each Use in the Maintenance Schedule.
2. For engines with a primer, push primer bulb 2 or 3 times for a cold engine.
3. For engines with a choke, place throttle control in the choke position. Once the engine has started, place throttle in the high speed position.
4. With engine/blade control held against the handlebar, turn the key to "Start" position to crank engine and release key when engine starts.

**NOTE:** It is not necessary to prime or choke a warm engine.

If starter will not cycle because of grass buildup under deck, rotate blade with recoil starter to clear blockage.

Recoil may be used to start the engine (See Manual Start).

### Shut Off

1. On self-propelled models, release wheel drive control and allow unit to come to a complete stop.
2. Release engine/blade control, and allow engine to cool.



**CAUTION:** ALWAYS remove key (electric start models) when not in use to prevent accidental starting or unauthorized use.

## Mowing Tips



**CAUTION:** On swivel wheel models, when mowing on slopes it is recommended that the linchpin be positioned through the swivel lock hole. If wheels are in the swivel position and control handles are released the mower may "free roll" downhill. Never mow on steep slopes.



**CAUTION:** If clog or obstruction prevents grass flow, release Engine/Blade Control and disconnect spark plug wire before attempting to clear away any clogs.

The following tips will help you to mow safely, achieve maximum performance from your mower and maintain the appearance of your lawn.

When bagging, be sure to release Engine/Blade Control to stop engine and blade before attempting to remove and empty grass bag. Empty bag before it becomes overloaded and clogs mower.

Restarting engine will be easier if mower is allowed to completely discharge clippings before stopping engine.

**NOTE:** Be sure to empty grass bag and clean mower pan after each use. DO NOT allow grass clumps or a coating of grass and debris to collect inside of grass bag or mower pan.

**NOTE:** Avoid operating over bare ground with only patches of grass. This causes dirt and grass to collect under pan surface and in grass bag.

Prevent debris buildup and allow proper air circulation. Remove grass bag from mower, wash bag with hose and allow to dry.

### Mulching Tips

For best mulching performance, set mower height to 3 inches. If grass is very tall, do not cut more than 1 inch of grass per cutting.

Cut grass only when dry, not when it is wet from dew, rain, or watering. Wet grass tends to pack inside the mower pan. If cut grass does not disperse evenly, it is probably because too much grass is being removed per cutting, the grass is too wet, or the travel speed is too fast.



# MAINTENANCE

Husqvarna Dealers will provide any service, parts or adjustments which may be required to keep your unit operating at peak efficiency. Should engine service be required, contact a Husqvarna dealer or an authorized engine manufacturer's service center.

## MAINTENANCE SCHEDULE

The chart shows the recommended maintenance schedule that should be performed on a regular basis. More frequent service may be required due to working conditions (heavy loads, high ambient temperatures, dusty conditions, or airborne debris).

See Engine Manual for further maintenance and troubleshooting information.

MAINTENANCE SCHEDULE			
Service Performed	Before Each Use	25 	100 
Check Air Cleaner	•		
Check Engine Oil	•	•	
Check Mower Blade	•		
Check Drive Belt	•		
Check Engine/Blade Control	•		
Change Engine Oil	•*	•	
Check Grass Bag	•		
Check Drive Control		•	
General Lubrication		•	
Check Fasteners		•	
Check Spark Plug			•
Check Engine Cooling			•
Check Muffler			•

\* After first 2 Hours of operation



**WARNING: ROTATING PARTS** can cut off body parts. Keep hands and feet away. Loose clothing, long hair or scarves can get caught in rotating parts and cause death or serious injury.



**WARNING:** Stop engine, wait for moving parts to stop, and remove wire from spark plug (keep wire away from plug to prevent accidental starting) before attempting any lubrication or maintenance procedures.

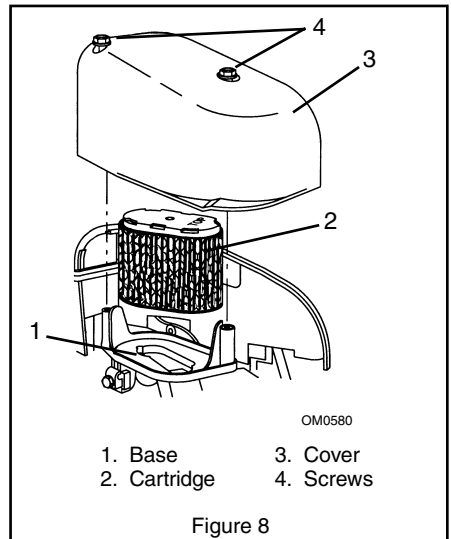


**CAUTION:** DO NOT touch engine parts which are hot from operation. Allow parts to cool before servicing.

## CHECK AIR CLEANER (BRIGGS & STRATTON)

See engine manual for specific information.

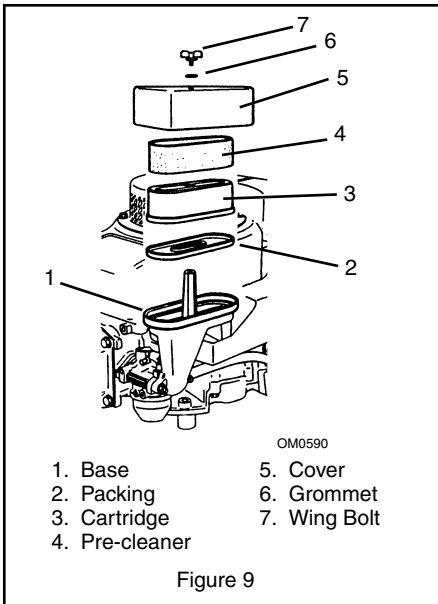
1. Loosen screws and lift cover. Remove cartridge assembly.
2. Tap cartridge gently on a flat surface. Do not oil cartridge. Replace if extremely dirty or damaged.
3. Do not use petroleum solvents (kerosene) which will cause cartridge to deteriorate. Do not use pressurized air to clean cartridge. Damage can result.
4. Install air cleaner assembly in base. Reinstall cover on air cleaner and tighten screws securely.



## CHECK AIR CLEANER (ROBIN)

See engine manual for specific information.

1. Loosen wing bolt and lift cover. Remove pre-cleaner and cartridge assembly.
2. Wash pre-cleaner in liquid detergent and water. Allow to dry thoroughly. Saturate pre-cleaner in oil (SAE #30). Squeeze to remove excess oil. Do not wring. Replace if extremely dirty or damaged.
3. Tap cartridge gently on a flat surface. Do not oil cartridge. Replace if extremely dirty or damaged.
4. Do not use petroleum solvents (kerosene) which will cause cartridge to deteriorate. Do not use pressurized air to clean cartridge. Damage can result.
5. Place the pre-cleaner on the cartridge.
6. Install air cleaner assembly in base. Reinstall cover on air cleaner and tighten wing bolt securely.



## CHECK ENGINE OIL

**IMPORTANT:** Change engine crankcase oil after first two (2) hours of operation. Thereafter, change oil every twenty five hours of operation (more often in dusty, dirty conditions). Refer to Engine Manual for oil type and grade and detailed instructions.

### Engine Oil Check and Change

The engine crankcase oil should be checked before each use or every five (5) hours of operation. Oil level **MUST** be maintained in safe operating range on dipstick at all times or engine damage will result.

**IMPORTANT:** DO NOT overfill. Be sure engine is level when adding oil. See Engine Manual for detailed instructions.

## CHECK MOWER BLADE

See figures 10 and 11.

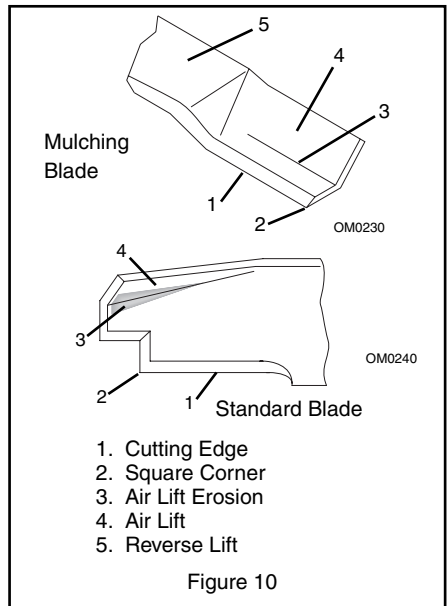
Check blade for wear.

Check blade mounting: blade must be secure and cap screw torqued to 37.5 - 50 ft. lbs. (lock washer should be fully compressed by cap screw).

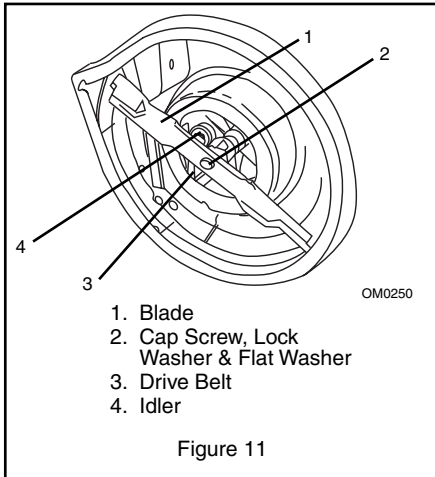
When blade needs sharpening:

1. Block blade to prevent rotation.
2. Remove cap screw, lock washer and blade from shaft.
3. Sharpen both ends of blade at original angle (25°), removing equal amounts of material from each end to maintain proper blade balance. New blades are balanced to within 1.3 in. oz. at factory. **DO NOT** grind around corner at tip of blade. If cutting edge of blade cannot be sharpened in a straight line to within 1/8 of an inch of its end, replace blade with Husqvarna replacement blade only.
4. Install blade, lock washer and cap screw. Blade must be secure and cap screw torqued to 37.5 - 50 ft. lbs. (lock washer should be fully compressed by cap screw).

**IMPORTANT:** If mower is used under sandy soil conditions, replace blades when air lifts become eroded.



## CHECK DRIVE BELT



Check drive belt for wear or damage. Replace belt if worn or damaged. See *Service and Adjustments*.

## CHECK ENGINE/BLADE CONTROL

The engine/blade control must stop the engine and blade within 3 seconds after the bail is released. If the engine or blade continues to run, adjust or repair control immediately. See *Adjustments*.

## CHECK GRASS BAG

Check bag for wear or damage. Keep bag clean and dry. Replace only with Husqvarna original equipment replacement bag.

## CHECK DRIVE CONTROL (Self propelled units)

Check operation of drive control. The drive must disengage completely when the bail handle is released. Adjust bail travel if necessary. See *Adjustments*.

## GENERAL LUBRICATION

Mower does not require any lubrication. Wheel assemblies are designed for long life without additional lubrication.

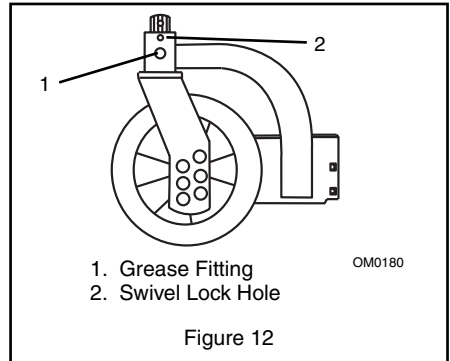
**NOTE:** The 600C does have lube fittings on drive mount for use in commercial applications. Lubricate as needed.

### Swivel Lubrication (swivel units)

See Figure 12.

When lubricating for the first time, clean all components thoroughly before applying grease. Reapply grease to the lube fittings every 25 hours.

**NOTE:** Linchpin must be in the swivel lock hole while lubricating.



## CHECK FASTENERS

Check all fasteners for proper tightness. Pay special attention to blade hardware and all guards, shields and safety devices.

## CHECK SPARK PLUG

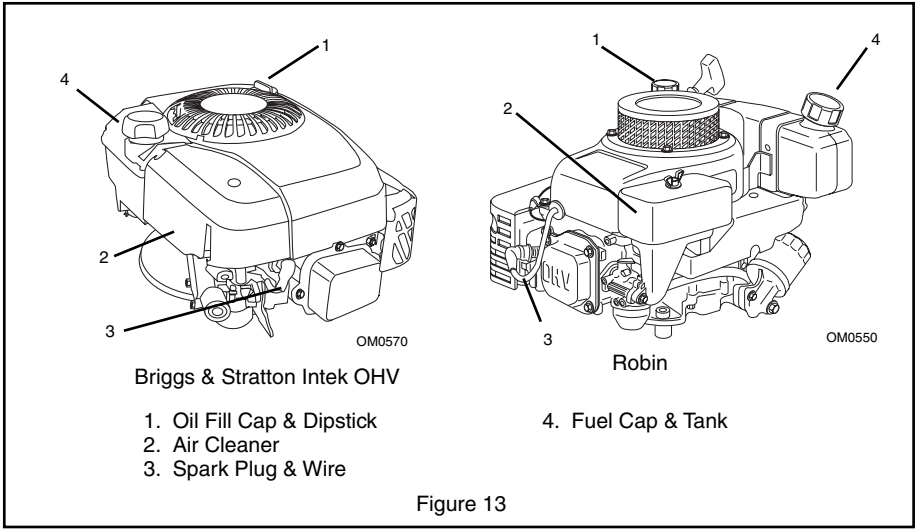
Spark plug should be cleaned (or replaced) if necessary and gap reset to .030" every 100 hours of operation or yearly, whichever comes first.

To clean:

1. Remove debris from area around spark plug base.
2. Remove spark plug from engine.
3. Scrape and wash spark plug with a commercial solvent. **DO NOT** blast clean.
4. Replace spark plug.

**NOTE:** Sparking can occur if wire terminal does not fit firmly on spark plug. Replace terminal if damaged.





## CHECK ENGINE COOLING

Engine is air cooled. Air must circulate freely around engine from Air Intake to cooling fins on cylinder head and block to prevent overheating.



**WARNING: HOT SURFACES** can cause death or serious injury. **DO NOT TOUCH** parts which are hot from operation. **ALWAYS** allow parts to cool.

Every 100 hours of operation or yearly (more often if conditions require) remove cooling shrouds and clean cooling fins. Clean external surfaces of engine of dust, dirt and oil deposits which can contribute to improper cooling.

**IMPORTANT:** DO NOT operate engine with blower housing removed or engine overheating damage will result.

## CHECK MUFFLER

Check muffler for cracks, wear, or other damage. Worn out mufflers should be replaced immediately. Continued use could result in fire or explosion.

# SERVICE AND ADJUSTMENTS

## SERVICE POSITION



**WARNING:** ACCIDENTAL ENGINE START UP can cause death or serious injury. ALWAYS stop engine, remove key (electric start models), wait for moving parts to stop and remove wire from spark plug before adjusting or servicing.

Place unit on a flat level surface. ALWAYS stop engine. Assure unit is secure and will not tip over. Strap and clamp onto bench if needed.



**CAUTION:** Before unit is tipped up, remove enough fuel so that no spills will occur. A piece of plastic bag may be used to seal fuel tank opening when tipping mower. To seal, remove fuel tank cap, cover fuel tank opening with plastic, replace and tighten cap securely before attempting to tip mower. Be sure to remove plastic before attempting to operate mower.

A handlebar service position is provided for tipping the unit for cleaning and service (Figure 14). See *Adjustments*.

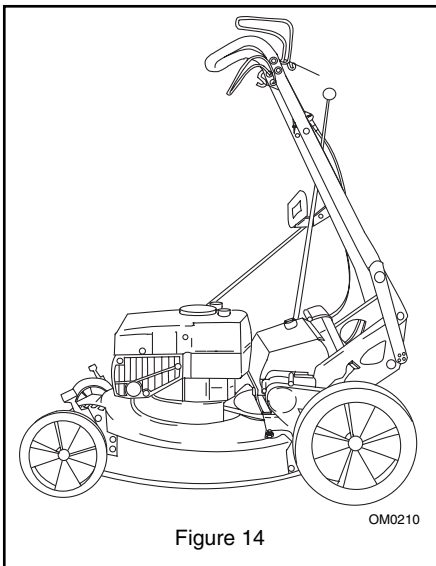


Figure 14

**IMPORTANT:** When tipping to service engine or unit, use the following service positions for the brand and type of engine on your mower:

**Robin Engines:** place handlebar into service position and tip machine to the rear.

**Briggs & Stratton Intek Engines:** place handlebar into handlebar service position and tip the machine to the left, opposite the discharge opening.

**IMPORTANT:** If engine becomes "flooded" due to tipping, clean air cleaner (See *Maintenance*) and remove spark plug, turn engine over a few times and reinstall spark plug.

## HANDLEBAR

To adjust handlebar height (Figure 15):

1. Place a hole (1-4) at the bottom of the braces over the pins. On professional models, use the fasteners to attach one of the holes at the top (1, 2) and one of the holes at the bottom (3, 4).
2. For service position, remove braces from pins, rotate handlebar forward and place pins into holes of braces.

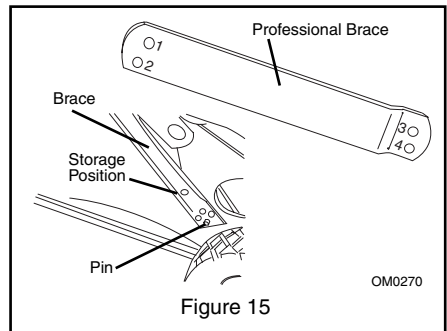


Figure 15

## BATTERY (Electric Start Models)

### To Charge Battery

**IMPORTANT:** DO NOT attempt to "jump start" mower.

1. Connect battery charger plug to mating plug on battery (not engine).
2. Plug charger into 110 volt Alternating Current (A.C.) outlet.

**IMPORTANT:** Battery charger supplied with unit is for 110 volt Alternating Current (A.C.) outlets *only*.

3. Charge for 24 to 48 hours (battery may be charged for up to 72 hours with no harmful effects).

An engine run time of at least 8 hours is required to charge a fully discharged battery.

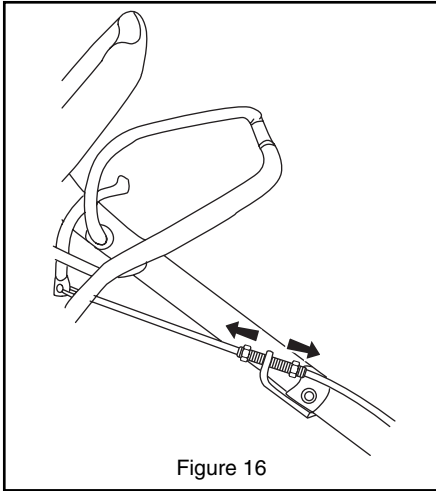
### To Remove Battery from Unit

1. Remove wing nuts from battery U-bolt.
2. Disconnect battery from wiring.

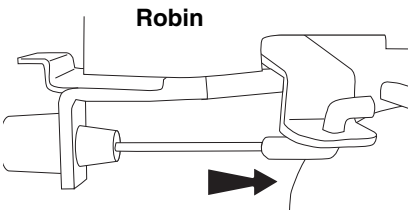
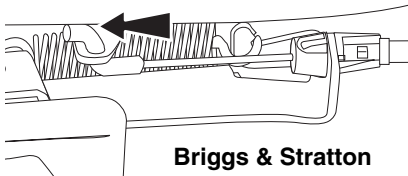
### ENGINE/BLADE CONTROL

To adjust engine/blade control:

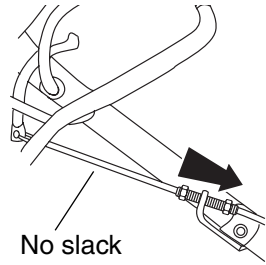
1. Loosen cable nuts away from bracket.



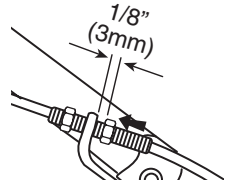
2. Squeeze z-bend bracket at engine end of cable toward front of unit and hold in place.



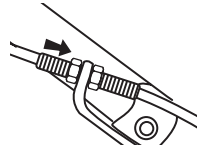
3. Pull cable down from bracket until there is no slack in cable.



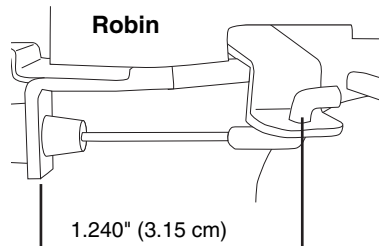
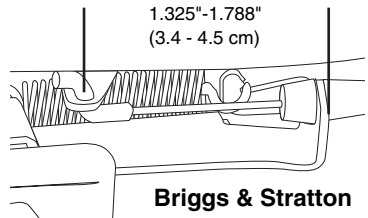
4. Tighten lower cable nut to 1/8" (3mm) below bracket. Release z-bend bracket.



5. Tighten upper cable nut until bracket is secure between cable nuts.



6. Engage engine/blade control. Measure distance between middle of z-bend and cable bracket. Measurement should be as shown below.



7. If proper measurement cannot be achieved, contact your local dealer.

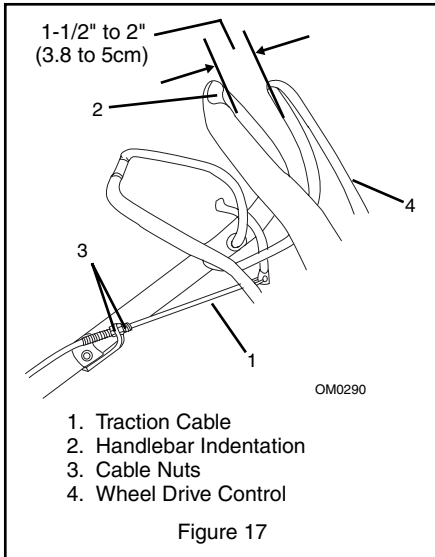
## DRIVE BELT (Self propelled units)

To remove drive belt:

1. Position right hand rear wheel Height Adjustment lever in first notch and left hand rear wheel Height Adjustment lever in third notch. This provides clearance between friction wheel and drive disk.
2. Remove belt from idler, drive disk and engine pulley.
3. Pull belt through opening under mower pan and over blade.
4. Check idler for free rotation of pulley and movement of pivot.
5. Reinstall drive belt in reverse order. Be sure that belt seats in pulley grooves with idler positioned on back (flat) side of belt.
6. Reposition rear wheels so all four wheels are at the same height.

## WHEEL DRIVE CONTROL (Self propelled units)

See Figure 17.



When the Wheel Drive Control is squeezed toward the handlebar the extension spring, located at the bottom end of the traction cable, must start to extend when the control is between 1-1/2" and 2" (3.8 and 5 cm) away from the handlebar. To check:

1. Squeeze the Wheel Drive Control toward the handlebar until the spring starts to open.

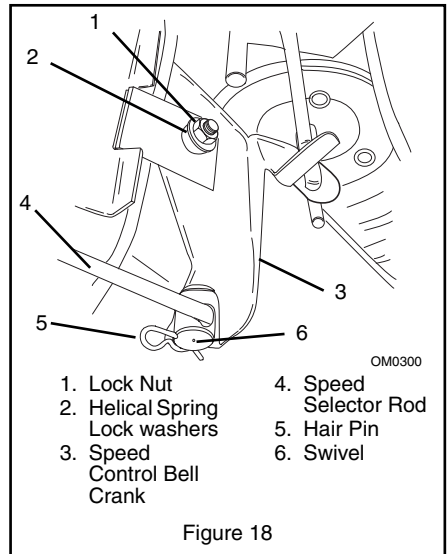
2. Measure the distance between the Wheel Drive Control and handlebar at the handlebar indentation.
3. To obtain the proper adjustment, turn the cable nuts. Turn clockwise if the measurement is more than 2" (5cm); counterclockwise if the measurement is less than 1-1/2" (3.8cm). Tighten the nuts against the bracket to lock in position. If there is not enough thread length for adjustment, the opposite end of the cable can be adjusted.

## SPEED CONTROL BELL CRANK (Self propelled units)

The speed control bell crank holds the speed selector rod in position after a speed has been set. The spring washers may become loose with normal wear. If the speed selector rod does not stay firmly in position, adjust the speed control bell crank. See Figure 18.

To adjust:

1. Remove cover, fully compress the helical spring lock washers with lock nut and then back lock nut off, one quarter turn.
2. If the speed selector rod is still too loose, tighten lock nut by small increments until it holds its position. Tightening the lock nut too much will not allow the speed selector rod to move at all.
3. Align notch in left hand side of cover with bolt and secure with knob.



# STORAGE



**WARNING:** FLAMMABLE FUEL and its EXPLOSIVE VAPORS can cause death or serious injury. DO NOT store unit with fuel in the fuel tank inside a building where any ignition sources are present. Drain fuel outdoors away from any ignition source. Allow engine to cool before storing in any enclosure. Only use approved fuel containers.

**IMPORTANT:** NEVER spray unit with water or store unit outdoors. Water can seep into sealed bearings, which are sealed against dirt and debris only, causing reduced component life. Store mower in a cool, dry, protected location.

## Cleaning

Clean unit thoroughly. Brush dirt and debris off with a brush. Apply paint or spray lubricant to exposed metal joints and surfaces. Do not use abrasives, solvents, or harsh cleaners.

## Inspection

Inspect mower for signs of wear or damage. Order any parts required and make necessary repairs to avoid delays when beginning use again.

Keep all nuts, bolts and screws tight and know unit is in safe working condition. Check all hardware at regular intervals.

## Grass Bag

Remove Grass Bag and clean out all debris before storage. Grass Bag may be stored in position on mower. Keep Grass Bag dry during storage.

## Battery

Fully charge battery and store in a cool, dry location. If the outdoor temperature is expected to be below freezing for long periods of time, remove battery from unit and store in a cool, dry, protected place. Do not allow battery to freeze. See *Service and Adjustments*.

## Engine

When storing unit for extended periods of time, remove all fuel from tank and carburetor (run dry). Refer to Engine Manual.

## TROUBLESHOOTING

PROBLEM	PROBABLE CAUSE	CORRECTION
<b>Engine will not start</b>	<ol style="list-style-type: none"> <li>1. Fuel tank empty or low.</li> <li>2. Spark plug wire loose or off.</li> <li>3. Engine/brake control cable detached, broken, or not adjusted properly.</li> <li>4. Battery discharged (electric start models).</li> </ol>	<ol style="list-style-type: none"> <li>1. Check fuel level. Fill tank if necessary.</li> <li>2. Check connection.</li> <li>3. Check engine/brake control cable. Adjust, repair or replace as necessary.</li> <li>4. Charge battery or replace if necessary.</li> </ol>
<b>Self-propelled drive does not engage.</b>	<ol style="list-style-type: none"> <li>1. Traction drive bail not engaged.</li> <li>2. Drive belt out of position.</li> <li>3. Drive belt worn or damaged.</li> <li>4. Rear wheels in different cutting height positions.</li> <li>5. Friction wheel engagement not adjusted properly or damaged.</li> <li>6. Idler and idler spring installed incorrectly.</li> <li>7. Traction drive cable detached or broken.</li> <li>8. Bearings damaged.</li> <li>9. Debris in gear set.</li> </ol>	<ol style="list-style-type: none"> <li>1. Engage traction drive bail.</li> <li>2. Check drive belt. Adjust as necessary.</li> <li>3. Replace belt.</li> <li>4. Adjust rear wheel cutting position so that cutting height is the same on both sides.</li> <li>5. Adjust or replace friction wheel.</li> <li>6. Check idler and spring. Adjust as necessary.</li> <li>7. Check drive cable. Adjust, repair or replace as required.</li> <li>8. Replace bearings. Contact your Dealer.</li> <li>9. Remove debris. Contact your Dealer.</li> </ol>

## ACCESSORIES

See your authorized Husqvarna dealer to add these optional accessories.

606 00 00 01	Dethatcher
606 00 00 02	Swivel Wheel
606 00 02 30	Battery Charger

## SPECIFICATIONS

Model Number	601 10 00 24	601 10 00 20	601 10 00 21	601 10 00 22	601 10 00 23
Description	580 R	580 RS	580 RSE	580 RSW	600 C
Length - in (cm)	61.5 (156)				
Height - in (cm)	38 (96,5)				
Width - in (cm)	23 (58,4)				
Actual Weight - lbs (kg)	81 (36,7)	97 (44,0)	102 (46,3)	105 (47,6)	118 (53,6)
Cutting Width	21 (53,3)				
Cutting Height - in. (cm)	6 Positions: 1.00 - 3.25 (2,5 - 8,3)				
Engine, 4 cycle	Briggs & Stratton Intek OHV				Robin
Engine Power Max - HP (kw)	4.37 (3,26)				5.3 (3,9)
Max Rotation Speed of Cutting Edge - RPM (min <sup>-1</sup> )	3100				
Governed RPM	3000 +/- 100				
Displacement Cu. In. (cc)	11.57 (190)				11.16 (183)
Cylinder Bore	Aluminum				Cast Iron Sleeve
Engine Oil Type	SAE 30				
Crank Case Capacity - Oz. (Liter)	22 (0,65)				17 (0,50)
Oil System	Splash				Pressurized
Engine Oil Filter	N/A				Spin-on
Spark Plug Gap - in (mm)	0.030 (0,76)				
Fuel Type	Unleaded				
Fuel Tank Capacity - qt (Liter)	1.6 (1,5)				2.0 (1,9)
Primer Bulb	Standard				N/A
Throttle/Choke Control	N/A				Standard
Air Cleaner	Paper Element				Dual Element
Starting	Recoil		Electric/Recoil	Recoil	
Differential	N/A	Standard			
Variable Speeds - MPH (km/hr)	N/A	0-4 (0-6,4)			0-3.5 (0-5,6)
Mower Deck	14 Gauge - Stamped Steel				
Adjustable Handlebar	Four Position				
Front Wheel Dia - in (cm)	7.5 (19,1)				
Rear Wheel Dia - in (cm)	10.5 (26,7)				



# WARRANTY STATEMENT

## **SECTION 1: LIMITED WARRANTY**

Husqvarna Forest & Garden Company ("Husqvarna") warrants Husqvarna product to the original purchaser to be free from defects in material and workmanship from the date of purchase for the "Warranty Period" of the product as set forth below:

**Lifetime Warranty:** All tiller lines, trimmer shafts, ignition coils and modules on hand held product.

**2 Year Warranty:** Riding lawn mowers, yard and garden tractors, walk behind mowers, tillers, chain saws, trimmers, brushcutters, clearing saws, snow blowers, handheld blowers, backpack blowers, hedge trimmers, and electrical products for ~~non-commercial, non-institutional or non-income producing use~~, ~~commercial, institutional or income producing use~~.

Emission control system components necessary to comply with CARB-95 and EPA regulations, except for those components which are part of engine systems manufactured by third party engine manufacturers for which the purchaser has received a separate warranty with product information supplied at time of purchase.

**1 Year Warranty:** Power cutters, stump grinder, hydraulic pole pruners and hydraulic pole saws for ~~non-commercial, non-professional, non-institutional or non-income producing use~~.

All trimmers, brushcutters, clearing saws, hovering trimmers, sick edgers, backpack blowers, hand held blowers, hedge trimmers and model series 580 & 600 walk-behind mowers used for ~~commercial, institutional, professional or income producing purposes or use~~.

**90 Day Warranty:** Chain saws, power cutters, stump grinders, trimmers, brushcutters, clearing saws, hovering trimmers, sick edgers, backpack blowers, hand held blowers, hedge trimmers, hydraulic pole saws, hydraulic pole pruners, snow throwers or any Husqvarna product used for ~~general purposes or use except as otherwise provided herein~~.

**30 Day Warranty:** Husqvarna bow guide bars, replacement parts including bar and chains, product accessories, tools, display features and safety apparel.

## **SECTION 2: HUSQVARNA'S OBLIGATIONS UNDER THE WARRANTY**

Husqvarna will repair or replace defective components without charge for parts or labor if a component fails because of a defect in material or workmanship during the warranty period.

## **SECTION 3: ITEMS NOT COVERED BY THIS WARRANTY**

The following items are not covered by this warranty:

- (1) Normal customer maintenance items which become worn through normal regular use, including, but not limited to: belts, blades, blade adapters, bulbs, fillers, guide bars, lubricants, rewind springs, saw chains, spark plugs, starter ropes and pins, and tires.
- (2) Fuel, oil, and other fluids, including ultraviolet light.
- (3) Engine and drive systems not manufactured by Husqvarna; these items are covered by the respective manufacturer's warranty as provided in writing with the product information supplied at the time of purchase; all claims must be sent to the appropriate manufacturer.
- (4) Lawn and garden attachments are covered by a third party which gives a warranty, all claims for warranty should be sent to the manufacturer; and
- (5) Emission Control System components necessary to comply with CARB-95 and EPA regulations which are manufactured by third party engine manufacturer.
- (6) Batteries have a one-year prorated limited warranty with 100% replacement during the first 6 months.

## **SECTION 4: EXCEPTIONS AND LIMITATIONS**

This warranty shall be inapplicable to defects resulting from the following:

- (1) Accident, abuse, misuse, negligence and neglect, including stale fuel, dirt, abrasives, moisture, rust, corrosion, or any adverse reaction due to incorrect storage or use habits;
- (2) Failure to operate or maintain the unit in accordance with the Owner's Operator's manual or instruction sheet furnished by Husqvarna;
- (3) Alterations or modifications that change the intended use of the product or affects the product's performance, operation, safety, or durability, or causes the product to fail to comply with any applicable laws; or
- (4) Additional damage to parts or components due to continued use occurring after any of the above.

**REPAIR OR REPLACEMENT AS PROVIDED UNDER THIS WARRANTY IS THE EXCLUSIVE REMEDY OF THE PURCHASER. HUSQVARNA SHALL NOT BE LIABLE FOR ANY INCIDENTAL OR CONSEQUENTIAL DAMAGES FOR BREACH OF ANY EXPRESS OR IMPLIED WARRANTY ON THESE PRODUCTS EXCEPT TO THE EXTENT PROHIBITED BY APPLICABLE LAW. ANY IMPLIED WARRANTY OF MERCHANTABILITY OR FITNESS FOR A PARTICULAR PURPOSE ON THESE PRODUCTS IS LIMITED IN DURATION TO THE WARRANTY PERIOD AS DEFINED IN THE LIMITED WARRANTY STATEMENT. HUSQVARNA RESERVES THE RIGHT TO CHANGE OR IMPROVE THE DESIGN OF THE PRODUCT WITHOUT NOTICE, AND DOES NOT ASSUME OBLIGATION TO UPDATE PREVIOUSLY MANUFACTURED PRODUCTS.**

Some states do not allow the exclusion of incidental or consequential damages, or limitations on how long an implied warranty lasts, so the above limitations or exclusions may not apply to you. This warranty gives you specific legal rights, and you may also have other rights which vary from state to state.

## **SECTION 5: CUSTOMER RESPONSIBILITIES**

The product must exhibit reasonable care, maintenance, operation, storage and general upkeep as written in the maintenance section of the Owner's Operator's manual. Should an operational problem or failure occur, the product should not be used, but delivered as is to an authorized Husqvarna dealer for evaluation. Proof of purchase, as explained in section 6, rests solely with the customer.

## **SECTION 6: PROCEDURE TO OBTAIN WARRANTY CONSIDERATION**

It is the Owner's and Dealer's responsibility to make certain that the Warranty Registration Card is properly filled out and mailed to Husqvarna Forest & Garden Company. This card should be mailed within ten (10) days from the date of purchase in order to confirm the warranty and to facilitate post-sale service.

Proof of purchase must be presented to the authorized Husqvarna dealer in order to obtain warranty service. This proof must include date purchased, model number, serial number, and complete name and address of the selling dealer.

To obtain the benefit of this warranty, the product believed to be defective must be delivered to an authorized Husqvarna dealer in a timely manner, no later than thirty (30) days from date of the operational problem or failure. The product must be delivered at the owner's expense. Pick-up and delivery charges are not covered by this warranty. An authorized Husqvarna dealer can be normally located through the "Yellow Pages" of the local telephone directory or by calling 1-800-HUSKY62 for a dealer in your area.

**HUSQVARNA**  
**9006 PERIMETER WOODS DRIVE**  
**CHARLOTTE, NC 28216**





