

225AI15/AI25

Operator's Manual (EPA)



Read through the Operator's Manual carefully and understand the content before using the machine.

SYMBOL EXPLANATION

Symbols



WARNING! This machine can be dangerous!
Careless or incorrect use can result in serious, even fatal injury.



Read through the Operator's Manual carefully and understand the content before using the machine.



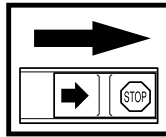
Always use
• Ear protection



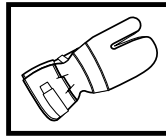
• This product is in accordance with applicable CE directives.



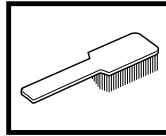
• Always wear approved protective gloves.



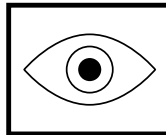
Checks and/or maintenance should be carried out with the engine switched off, with the stop switch in the STOP position.



Always use approved protective gloves.



Regular cleaning required.



Ocular control.

Other symbols/decals on the machine refer to special certification requirements for certain markets.

CONTENTS


Husqvarna AB has a policy of continuous product development and therefore reserves the right to modify the design and appearance of products without prior notice.

Maintenance, replacement, or repair of the emission control devices and systems may be performed by any nonroad engine repair establishment or individual.




WARNING!
Under no circumstances may the design of the machine be modified without the permission of the manufacturer. Always use genuine accessories. Non-authorized modifications and/or accessories can result in serious personal injury or the death of the operator or others.

Your warranty does not cover damage or liability caused by the use of non-authorized accessories or replacement parts.



HUSQVARNA AB HUSKVARNA SWEDEN
IMPORTANT ENGINE INFORMATION TWC
THIS ENGINE CONFORMS TO U.S. EPA PH1
FOR SMALL NON - ROAD ENGINES.
REFER TO OPERATOR'S MANUAL FOR
MAINTENANCE SPECIFICATIONS AND ADJUSTMENTS.

This decal certifies that the product has been approved in accordance with American exhaust emissions requirements EPA PH1.



WARNING

The engine exhaust from this product contains chemicals known to the State of California to cause cancer, birth defects or other reproductive harm.

List of contents

SYMBOL EXPLANATION

Symbols 2

CONTENTS

List of contents 3

SAFETY INSTRUCTIONS

Personal protective equipment 4

The machine's protective equipment 4

Control, maintenance and service of the machine's
protective equipment 5

General safety instructions 7

Safety instructions for using the machine 8

Fitting the auger 9

WHAT IS WHAT?

What is what on the ice auger? 10

FUEL HANDLING

Fuel mixture 11

Fuelling 11

START AND STOP

Control before starting 12

Start and stop 12

MAINTENANCE

Carburettor 13

Muffler 14

Cooling system 14

Air filter 15

Spark plug 15

Maintenance schedule 15

TECHNICAL DATA

225AI15 17

225AI25 17

EMISSION CONTROL WARRANTY STATEMENT

Your warranty rights and obligations 18

SAFETY INSTRUCTIONS

Personal protective equipment

IMPORTANT INFORMATION

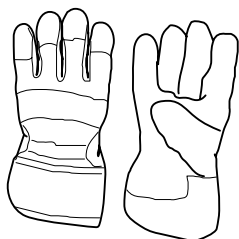
- **Incorrect or careless use of this machine can turn it into a dangerous tool that can cause serious or even fatal injury. It is extremely important that you read and understand this manual.**
- **When using the machine you must wear protective equipment that is approved by the appropriate authorities. Personal protective equipment does not eliminate the risk of accidents, however it can reduce the effects of an injury in the event of an accident. Ask your dealer for help when choosing protective equipment.**



WARNING!
Remove your hearing protection as soon as you stop the engine, so that you can hear any noises or warning signals.

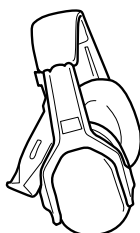
GLOVES

Gloves should be worn when necessary, e.g., when inspecting, cleaning or assembling cutting equipment.



EAR PROTECTION

Ear protection offering sufficient dampening effect should be used.



BOOTS

Use anti-slip and stable boots.



FIRST AID KIT

A first aid kit should be close at hand.



The machine's protective equipment

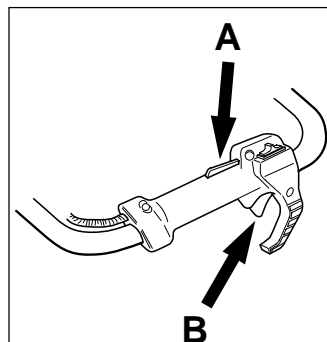
This section describes the machine's safety equipment, its function and how checks and maintenance are carried out to ensure that it operates correctly. (See the chapter "What is what" to locate where this equipment is positioned on your machine.)



WARNING!
Never use a machine with defective safety equipment. Follow the control, maintenance and service instructions described in this section.

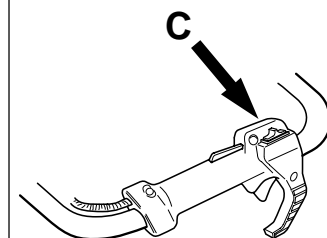
1. Throttle trigger lock

The throttle trigger lock is designed to prevent the throttle from accidentally being engaged. The trigger (A) can only be pressed in, if the lock (B) is held in (= the operator holding the handle). When the grip on the handle is released the throttle and the throttle trigger lock return to their original positions. This takes place via two independent return spring systems. This means that the throttle is automatically locked in the idling position.



2. Stop switch

The stop switch (C) should be used to stop the engine.

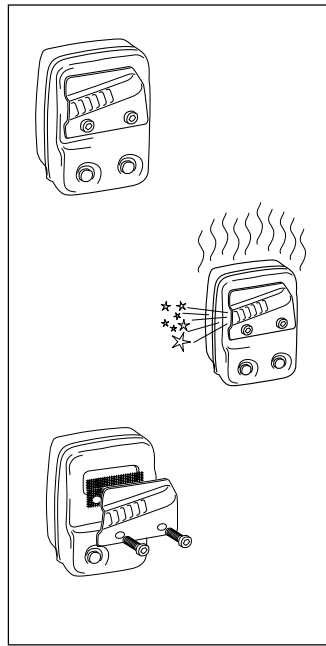


SAFETY INSTRUCTIONS

3. Muffler

The muffler is designed to give the lowest possible noise level and to direct the engine's exhaust fumes away from the user. A muffler fitted with a catalytic converter is also designed to reduce harmful exhaust emissions.

It is extremely important that the instructions for checking, maintaining and servicing the muffler are followed (see the section "Control, maintenance and service of the machine's safety equipment").



WARNING!
Mufflers fitted with catalytic converters become extremely hot during use and after stopping. This also applies at idling speeds. Contact can result in burns to the skin. Be observant to the risk of fire!



WARNING!
Bear in mind that exhaust fumes:

- contain carbon monoxide, which can cause carbon monoxide poisoning. Therefore never start or run the machine indoors.
- are hot and can contain sparks that can cause fires. Never start the machine indoors or close to inflammable material.

Control, maintenance and service of the machine's safety equipment

IMPORTANT INFORMATION

- All service and repairs to the machine require special training.
- This applies especially to the machine's safety equipment. If the machine does not meet any of the controls listed below you should contact your service workshop.
- The purchase of one of our products guarantees that professional repair and servicing will be carried out on it. If the point of purchase is not one of our servicing dealers, please ask for details of the closest service workshop.



WARNING!
Never use a machine with defective safety equipment. The safety equipment should be maintained as described in this section. If your machine does not meet any of these controls you should contact your service workshop.

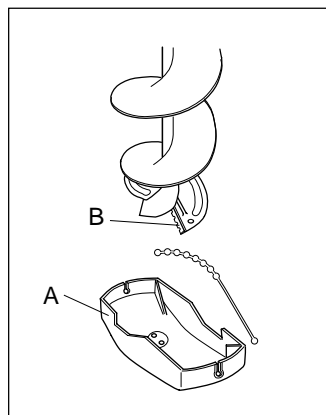


WARNING!
Always stop the engine before doing any work on the cutting attachment. This will continue to move even after the throttle has been released. Ensure that the cutting attachment has stopped completely and remove the cable from the spark plug before you start to work on it.

4. Transport guard

The transport guard (A) is intended to protect against any part of the body coming into contact with the cutting edges (B).

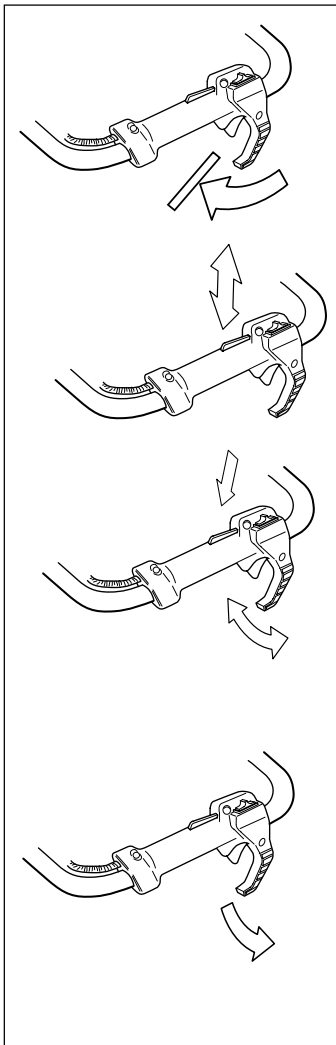
The transport guard must always be fitted over the cutting attachment when the machine is transported or stored.



SAFETY INSTRUCTIONS

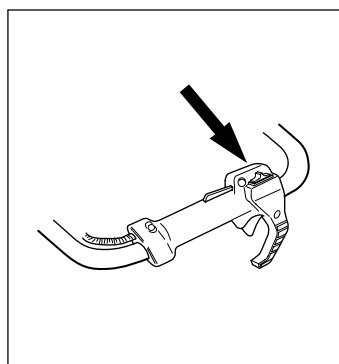
1. Throttle trigger lock

- Check that the throttle is locked in the “idling position” when the throttle trigger lock is in its original position.
- Press in the throttle trigger lock and make sure it returns to its original position when released.
- Ensure that the throttle and throttle trigger lock move easily and that their return spring systems function.
- See the section “Start”. Start the machine and apply full throttle. Release the throttle and check that the cutting attachment stops and remains stationary. If the cutting attachment continues to move when the throttle is in the idle position then the carburettor idle setting must be adjusted. See the chapter “Maintenance”.



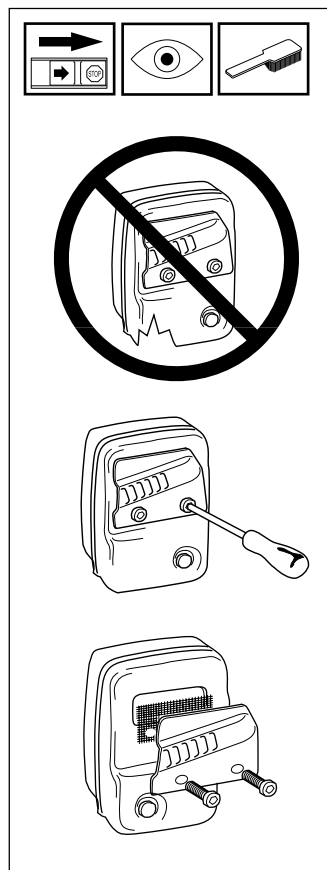
2. Stop switch

- Start the engine and make sure that the engine stops when the stop switch is moved to the stop position.



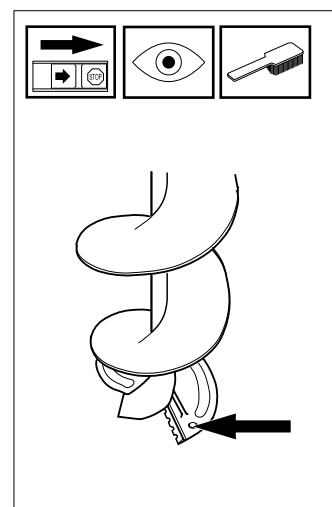
3. Muffler

- Never use a machine that has a defective muffler.
- Check regularly that the muffler is secure.
- If your muffler is fitted with a spark arrest screen then it should be cleaned regularly. A blocked screen leads to the engine overheating with serious damage as a result. Never use a muffler with a defective spark arrest screen.



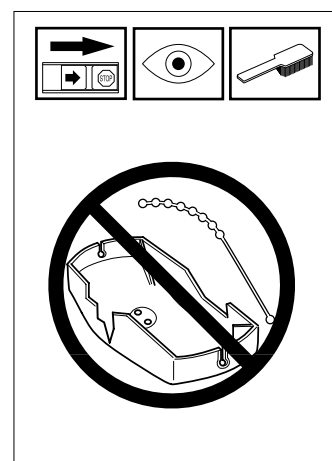
4. Cutters

- Ensure that the cutters are securely attached.
- When the blade is manufactured it is sharpened using an advanced method. This means that the blade cannot be re-sharpened using conventional methods. Worn blades must be replaced with new ones to ensure your machine works satisfactorily.



5. Transport guard

- Regularly check that the transport guard is not damaged.
- Replace the transport guard if it is damaged.



SAFETY INSTRUCTIONS

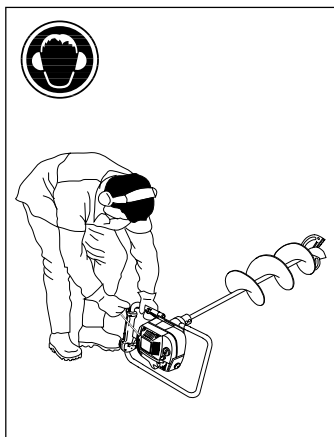
General safety instructions

IMPORTANT INFORMATION

- The machine is solely designed for drilling in ice.
- Never use the machine if you are tired, if you have consumed alcohol, or if you are taking medicines that can affect your sight, your judgement or the control of your body.
- Use personal protective equipment. See the section "*Personal protective equipment*".
- Never use a machine that has been modified so that it no longer corresponds with the original design.
- Never use a machine that is faulty. Follow the maintenance, control and service instructions in this Operator's Manual. Some maintenance and service actions should be carried out by trained and qualified specialists. See the chapter "*Maintenance*".
- All covers and guards must be fitted before starting the machine. Check that the spark plug cap and HT lead are not damaged, otherwise you could get an electric shock.

Start

- The gearbox and clutch drum must be fitted before the machine is started, otherwise the clutch can become loose and cause personal injury.
- Never start the machine indoors. Bear in mind the dangers of inhaling the engine's exhaust fumes.
- Check your surroundings and make sure that there is no risk of people or animals coming into contact with the cutting attachment.
- Place the machine on the ice. Press the body of the machine against the ice using your left hand (NOTE! Do not use your foot). Grip the starter handle with your right hand and pull the starter cord.



Fuel safety

- Always use a fuel container with an anti-spill valve.
- Never fill the machine while the engine is running. Always stop the engine and let it cool for a few minutes before refuelling.
- Provide good ventilation when filling or mixing fuel (petrol and 2-stroke oil).
- Move the machine at least 3 m from the filling position before starting.
- Never start the machine:
 - a) If you have spilt fuel on it. Wipe up all spillage.
 - b) If you have spilt fuel on yourself or your clothes. Change your clothes.
 - c) If there is a fuel leak. Make regular checks for leakage from the fuel cap and the fuel supply pipes.

Transport and storage

- Store and transport the machine and fuel so that any leakage or fumes do not risk coming into contact with sparks or naked flames. For example, electric machines, electric motors, electrical switches/power switches, heaters or the like.
- When storing and transporting fuel, approved containers intended for this purpose must be used.
- When storing the machine for long periods the fuel tank must be emptied. Contact your local petrol station to find out how to dispose of excess fuel.
- The transport guard for the cutting attachment must always be fitted when the machine is transported or stored.



WARNING!

Exercise great care when handling fuel. Bear in mind the risk of fire, explosions and inhaling fumes.

SAFETY INSTRUCTIONS

Safety instructions for using the machine.



WARNING!
The machine can cause serious personal injury. Read the safety instructions carefully. Learn how to use the machine.

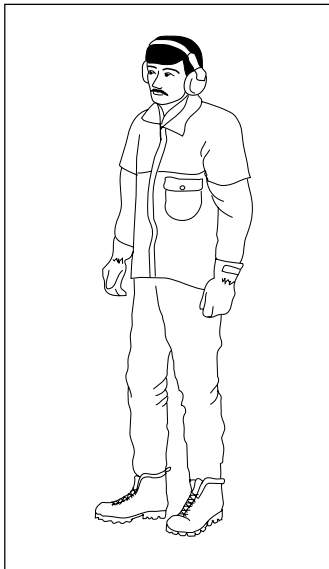


WARNING!
Cutting tool. Do not touch the cutting attachment without first switching off the engine

NOTE! Read the safety instructions carefully before starting to use the machine.

Personal protection

- Always use the safety equipment described in the section "Personal protective equipment".
- Never wear loose-fitting clothes, scarves, jewellery or similar items that could get caught in the auger.
- Hair should be put up if longer than shoulder length.

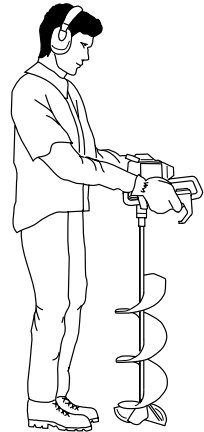


Protective instructions regarding the surroundings

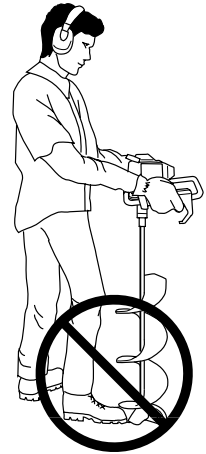
- Never allow children to use the machine.
- Ensure no-one comes within 5 metres while working.
- Never allow anyone to use the machine without first being absolutely sure that they understand the contents of the Operator's Manual.
- To prevent damage to the blades, make sure you do not use the auger in areas where the blades could come into contact with gravel or stones, especially in shallow water or underneath bridges, etc.

Protective instructions while working

- Always ensure you have a safe and firm working position.
- Always use both hands to hold the machine.
- Make sure that no part of your body comes into contact with the cutting attachment when the engine is running.



- When the engine is switched off make sure that no part of your body comes into contact with the cutting attachment before the cutting attachment has come to a complete stop.



- If vibration occurs you must stop the machine. Remove the spark plug cable from the spark plug. Check that the machine is not damaged. Repair any damage.

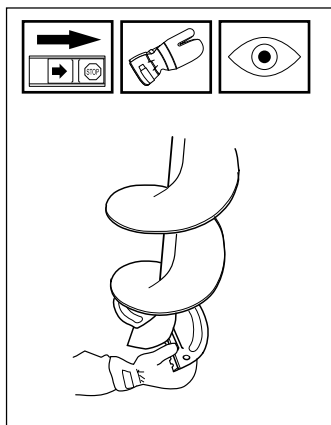


WARNING!
Over exposure to vibrations can result in blood-vessel or nerve injury to persons suffering with blood circulation problems. Seek medical attention if you experience physical symptoms that can be related to over exposure to vibrations. Examples of such symptoms are "numbness", lack of feeling, "tickling", "pricking", "pain", lack of or a reduction in normal strength, changes in the colour of the skin or its surfaces. These symptoms normally appear in the fingers, hands or wrists.

SAFETY INSTRUCTIONS

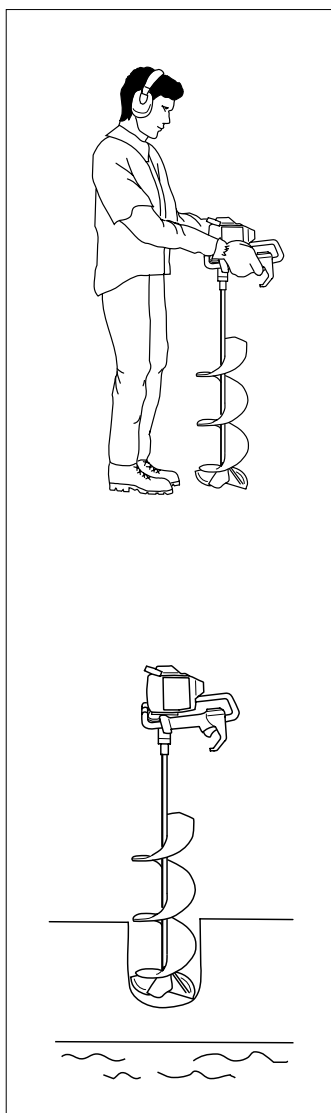
Protective instructions when work is completed

- The transport guard must always be fitted to the cutting attachment when the machine is not in use.
- Ensure the cutting attachment has stopped and remove the spark plug cable from the spark plug before carrying out cleaning, repairs or inspection.
- Always wear heavy gloves when replacing the cutters. The cutters are extremely sharp and can easily cause cuts.
- Store the machine out of reach from children.
- Only use original spare parts when carrying out repairs.



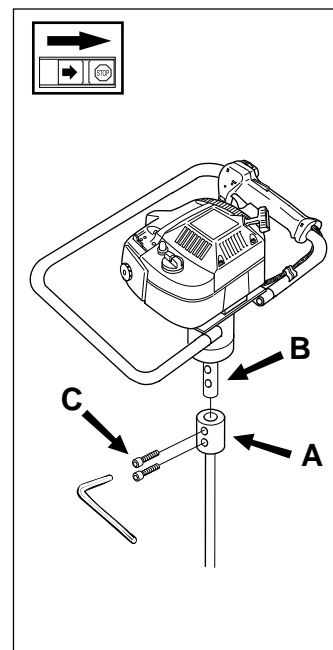
Basic working techniques

- Make sure you have a safe and steady working position.
- Always use both hands to hold the machine.
- Place the tip of the drill on the ice.
- Open the throttle gradually when the drill begins to bite into the ice.
- Keep a firm grip on the handles and be ready to take the weight when the drill tip goes through the ice.
- When you have finished drilling for the time being, drill a short distance into the ice so that the machine stands up by itself. By leaving the machine like this you reduce the risk of anyone accidentally coming into contact with the cutters.
- Always turn off the engine when you have finished drilling.

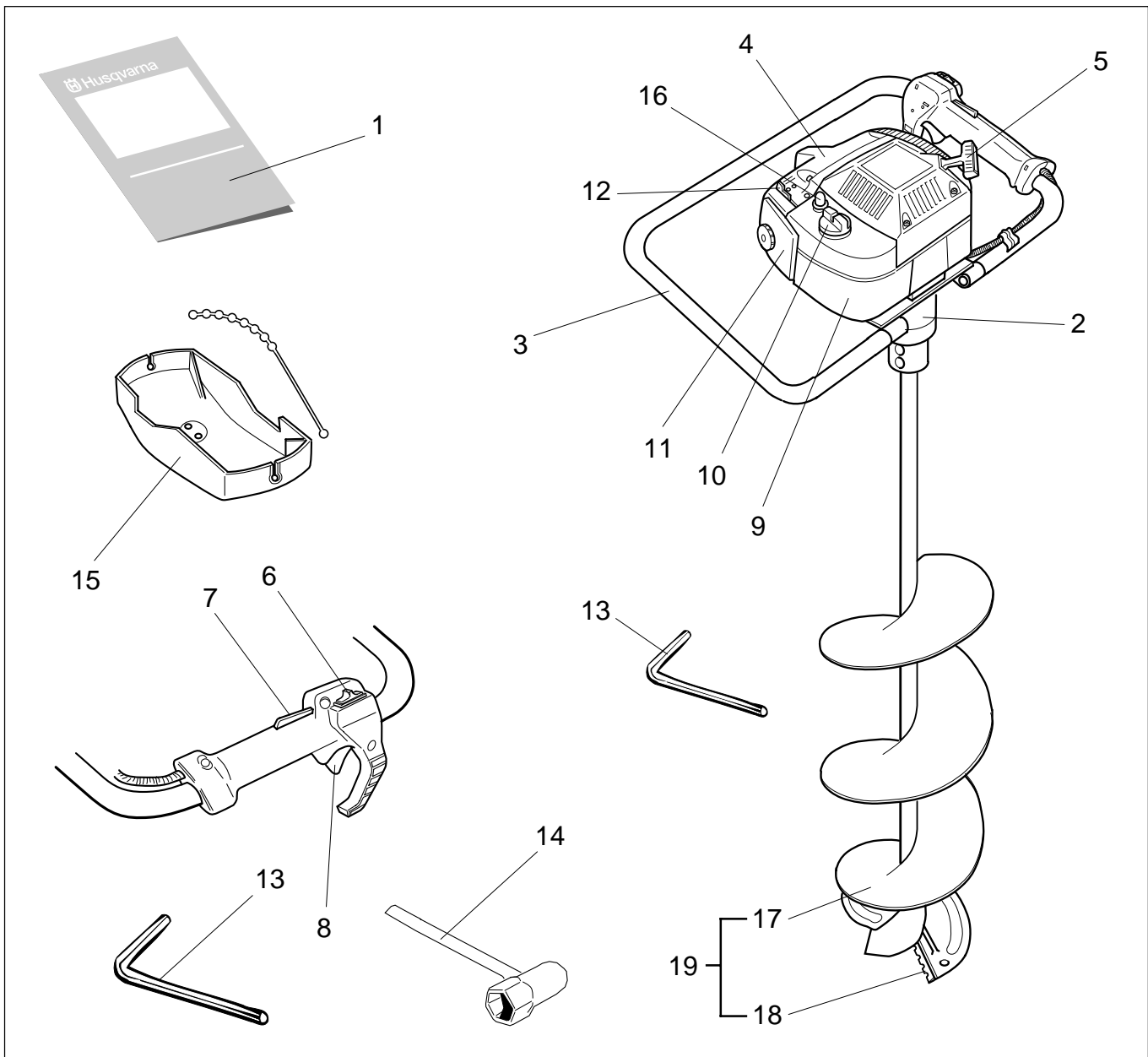


Fitting the auger

- Fit the auger (A) to the output shaft (B).
- Fit the screws (C) and tighten using the Allen key provided.



WHAT IS WHAT?



What is what on the ice drill?

1. Operator's Manual
2. Gearbox
3. Loop handle
4. Cylinder cover
5. Starter handle
6. Stop switch
7. Throttle trigger lock
8. Throttle trigger
9. Fuel tank
10. Fuel cap
11. Air filter cover
12. Choke
13. Allen key
14. Spark plug spanner
15. Blade cover (Transport)
16. Air purge
17. Drill
18. Cutter
19. Cutting attachment

FUEL HANDLING

Fuel mixture

NOTE!

The machine is fitted with a two-stroke engine and must always be run on a mixture of gasoline and two-stroke oil. It is important to measure the quantity of oil accurately, to ensure the correct mixture ratio. Small discrepancies in the amount of oil have a great bearing on the proportions of the fuel mixture when mixing small amounts of fuel.



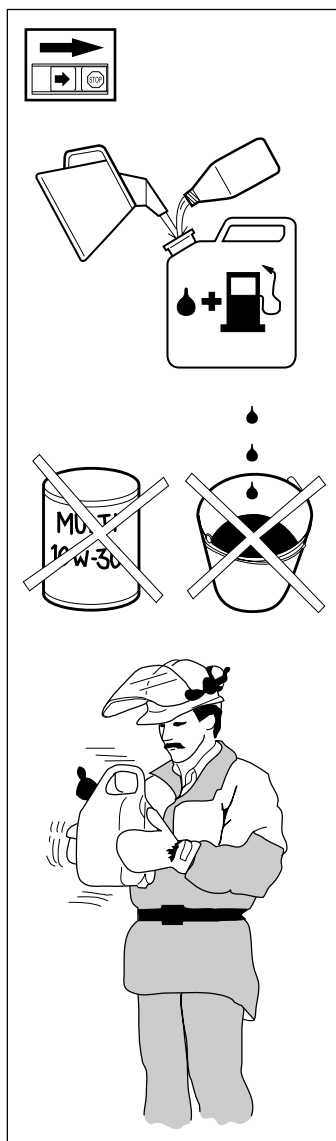
WARNING!
Always provide good ventilation when handling fuel.

Gasoline

NOTE!

Always use an oil-mixed quality gasoline (at least 87 octane). If your machine is equipped with a catalytic converter, (see "technical data") an unleaded, oil mixed quality gasoline should always be used. A leaded gasoline will destroy the catalytic converter.

- This engine is certified to operate on unleaded gasoline.
- The lowest recommended octane rating is 87. If you run the engine on lower octane rating than 87 so-called "knocking" can occur. This leads to an increased engine temperature, which can result in a serious engine breakdown.
- When working at continuous high revs a higher octane rating is recommended.




Two-stroke oil

- For the best results use HUSQVARNA two-stroke oil, which has been specially developed for HUSQVARNA's small, two-stroke engines. Mixing ratio 1:50 (2%).
- Never use two-stroke oil intended for water cooled outboard motors, so-called outboard motor oil.
- Never use oil intended for four-stroke engines.


Mixture

- Always mix gasoline and oil in a clean container intended for fuel.
- Always start by filling half the quantity of gasoline required. Then add the entire oil quantity. Mix (shake) the fuel mixture. Fill the remaining quantity of gasoline.
- Mix (shake) the fuel mixture carefully before filling in the machine's fuel tank.
- Do not mix more than max. one month's supply of fuel.
- If the machine is not used for a long period of time, the fuel tank should be emptied and cleaned.
- This engine is certified to operate on unleaded gasoline.



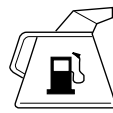

WARNING!
The catalytic converter muffler gets very hot during and after use. This also applies during idling. Be aware of the fire hazard, especially when handling the saw near flammable substances or vapours.

Fuelling



WARNING!
The following precautions reduce the risk of fire:
Do not smoke or place any sources of heat in the vicinity of the fuel. Never refuel when the engine is running. Always stop the engine and let it cool for a few minutes before refuelling. Open the fuel cap slowly when fuelling so that any over pressure is released slowly. Tighten the fuel cap carefully after refuelling. Always move the machine from the fuelling place before starting.

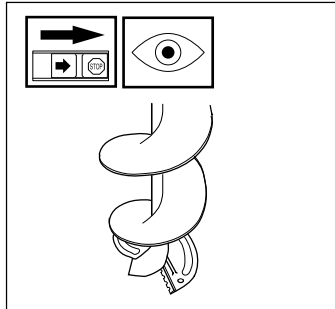
- Clean around the fuel cap. Contamination in the tank can disrupt operations.
- Ensure that the fuel is well mixed by shaking the container before filling the tank.

|  Gasoline |  Oil 2%(1:50) |
|---|--|
| Lit. | Lit. |
| 5 | 0,10 |
| 10 | 0,20 |
| 15 | 0,30 |
| 20 | 0,40 |
| US gallon | US fl. oz. |
| 1 | 2 1/2 |
| 2 1/2 | 6 1/2 |
| 5 | 12 7/8 |

START AND STOP

Control before starting

- Check the cutters. Never use cutters that are blunt, cracked or damaged.
- Check that the machine is in full working order. Check that all nuts and bolts are tightened correctly.
- Check that the cutting attachment always stops when the engine is idling.
- Only use the machine for what it is intended for.
- Ensure that the handle and safety functions are in order. Never use a machine that lacks a part or has been modified outside of the specifications.



Start and stop

Start



WARNING!

The gearbox and clutch drum must be fitted before the machine is started, otherwise the clutch can come loose and cause personal injury. Always move the machine about 3 metres from the filling position before starting. Place the machine on a firm surface. Make sure the cutting attachment cannot come into contact with any object. Make sure that no unauthorised persons are in the working area, otherwise there is a risk of serious personal injury.

Cold engine

IGNITION:

Set the stop switch to the start position.

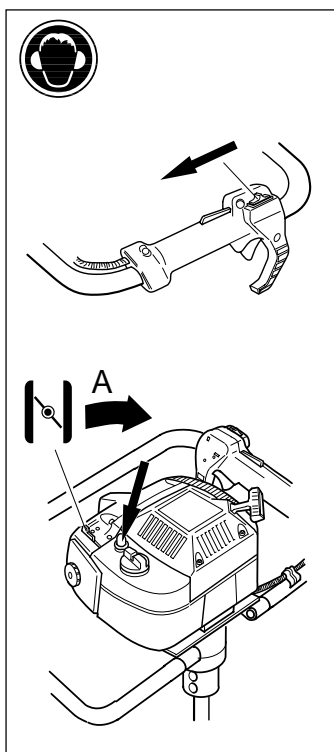
CHOKE:

Set the choke control in the choke position (A). The choke position is also the automatic start throttle position.

NOTE! If the outside temperature is very low and the machine has not been used in the last hour, let the engine warm up on start throttle setting for one minute.

AIR PURGE:

Press the air purge diaphragm repeatedly until fuel begins to fill the diaphragm. The diaphragm need not be completely filled.



Warm engine

IGNITION:

Set the stop switch to the start position.

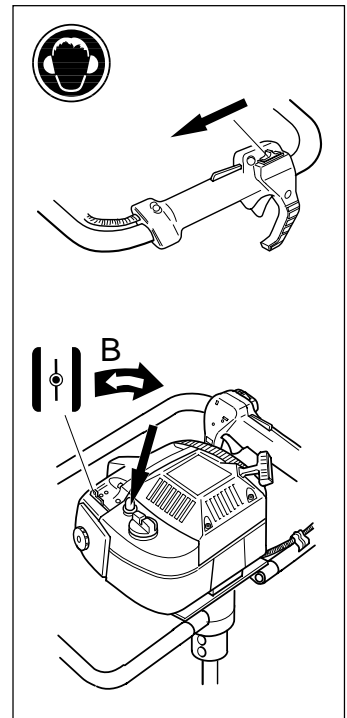
CHOKE:

Set the choke control in the choke position and then back again to its original position (B)

In this way only the start throttle is applied with no choke.

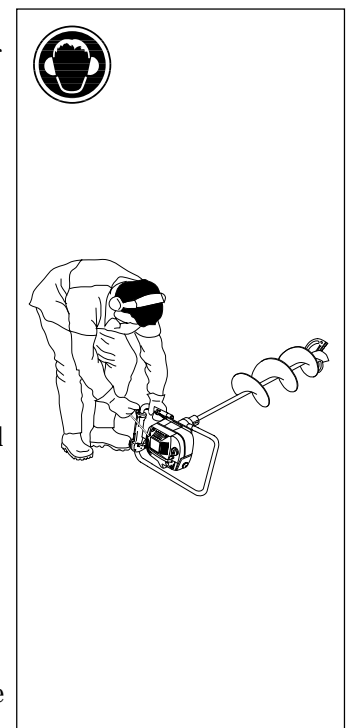
AIR PURGE:

Press the air purge diaphragm repeatedly until fuel begins to fill the diaphragm. The diaphragm need not be completely filled.



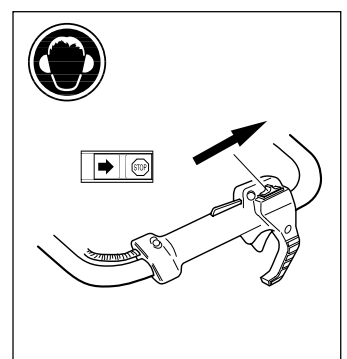
Press the machine body against the ground using your left hand (NOTE! Not your foot). Grip the starter handle, slowly pull out the cord with your right hand until you feel some resistance (the starter pawls grip), now quickly and powerfully pull the cord. Reset the choke control as soon as the engine fires and repeat until the engine starts. When the engine starts quickly apply full throttle and the start throttle will automatically disengage.

NOTE! Do not pull the starter cord out completely and do not release the starter cord from the fully extended position. This can damage the machine.



Stop

The engine is stopped by switching the ignition off using the stop switch.



Carburettor

Your Husqvarna product has been designed and manufactured to specifications that reduce harmful emissions. After your unit has been run 8-10 tanks of fuel the engine has broken in. To ensure that your unit is at peak performance and producing the least amount of harmful emissions after break in, have your authorized servicing dealer, who has a revolution counter at his disposal, to adjust your carburettor for optimum operating conditions.

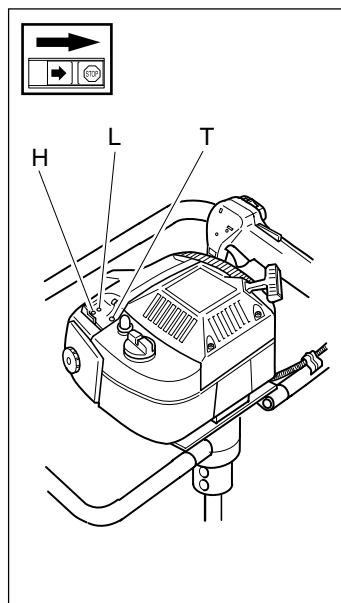


WARNING!

The complete clutch cover and gearbox must be fitted before the machine is started, otherwise the clutch may come loose and cause personal injury.

Operation

- The carburettor governs the engine's speed via the throttle. Air/fuel is mixed in the carburettor. The air/fuel mixture is adjustable. To take advantage of the engine's optimal output the adjustment must be correct.
- The setting of the carburettor means that the engine is adapted to local conditions, for example, the climate, altitude, petrol and the type of 2-stroke oil.
- The carburettor is equipped with three adjustment possibilities:
H = High speed needle
L = Low speed needle
T = Idle speed adjuster screw
- The fuel quantity in relation to the air flow permitted by the throttle opening is adjusted using the L and H-needles. Turning the needles clockwise gives a leaner fuel mixture (less fuel) and turning them anti-clockwise gives a richer fuel mixture (more fuel). A leaner mixture gives high revs while a richer mixture give less revs.
- The T-screw regulates the position of the throttle while the engine is idling. Turning the screw clockwise gives a higher idling speed while turning it anti-clockwise gives a lower idling speed.



Basic setting

- The carburettor is set to its basic setting when test run at the factory. The basic setting is richer than the optimal setting and should be kept during the machine's first working hours. Thereafter the carburettor should be finely adjusted. Fine adjustment should be carried out by a skilled technician.

NOTE! If the cutting attachment rotates/moves while the engine is idling the T-screw should be turned anti-clockwise until the cutting attachment stops.

Recommended idling speed is: 2 700 rpm.

Recommended max. speed: See "Technical data".

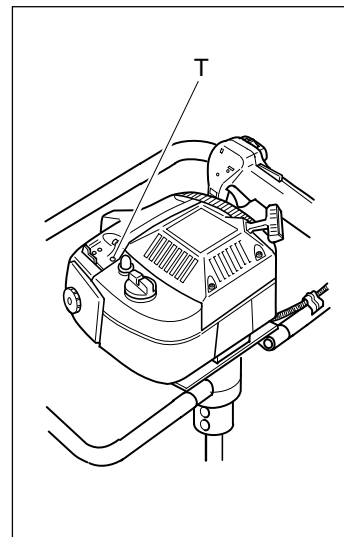


WARNING!

If the idling speed cannot be adjusted so that the cutting attachment stops, contact your service workshop. Do not use the machine until it has been correctly adjusted or repaired.

Adjusting the idle speed, T

Adjust the idle speed with screw T, if it is necessary to readjust. First turn the idle speed adjusting screw T clockwise until the cutting attachment begins to move. Then turn the screw anticlockwise until the cutting attachment stops. The idle speed is correctly adjusted when the engine runs smoothly in any position. There should also be a good margin to the engine speed at which the cutting attachment begins to move.



CAUTION! Contact your servicing dealer, if the idle speed setting cannot be adjusted so that the cutting attachment stops. Do not use the machine until it has been properly adjusted or repaired.

Correctly adjusted carburettor

A correctly adjusted carburettor means that the machine accelerates without hesitation and the machine 4-cycles a little at max. speed. Furthermore, the cutting attachment must not move at idling. If the setting of the low speed needle L is too lean it may cause starting difficulties and poor acceleration. If the setting of the high speed needle H is too lean it causes lower power = less capacity, poor acceleration and/or damage to the engine.

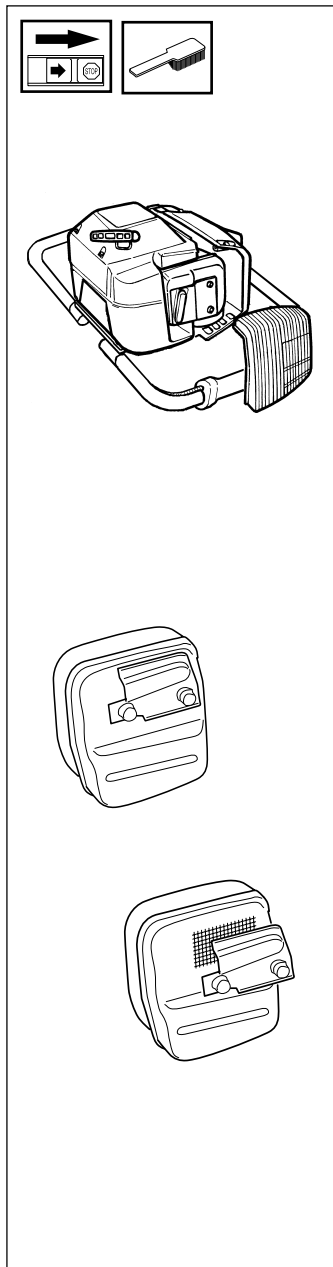
An excessively rich adjustment of the two speed needles L and H gives acceleration problems or too low working speed.

Muffler

NOTE!

Some mufflers are fitted with catalytic converters. See “Technical data” to find out if your machine is equipped with a catalytic converter.

The muffler is designed to dampen the noise level and to direct the exhaust fumes away from the user. The exhaust fumes are hot and can contain sparks, which can result in fire if the exhaust fumes are directed towards a dry and inflammable material. Some mufflers are equipped with a special spark arrest screen. If your machine is fitted with this type of screen it should be cleaned regularly. This is done using a wire brush. On mufflers without a catalytic converter the screen should be cleaned weekly, or replaced if necessary. On mufflers fitted with a catalytic converter the screen should be checked and cleaned monthly. **If the screen is damaged it should be replaced.** If the screen is frequently blocked, this can be a sign that the function of the catalytic converter is impaired. Contact your dealer to inspect the muffler. A blocked screen will cause the engine to overheat resulting in damage to the cylinder and piston. Also see under “Maintenance”.



NOTE!

Never use a machine with a defective muffler.



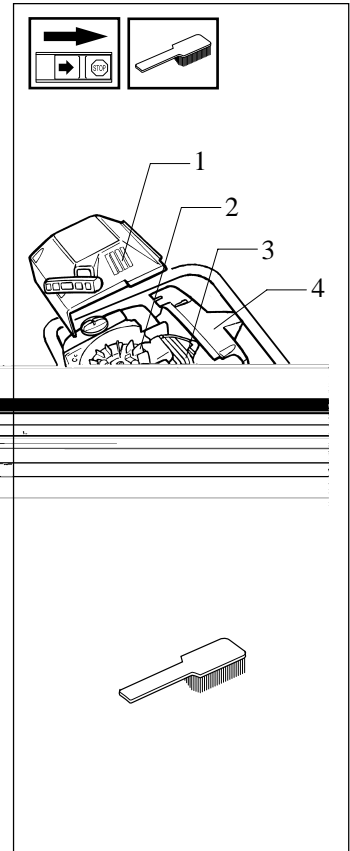
WARNING!
Mufflers fitted with catalytic converters become extremely hot during use and after stopping. This also applies at idling speeds. Contact can result in burns to the skin. Be observant to the risk of fire!

Cooling system

To maintain as low operating temperature as possible the engine is equipped with a cooling system.

The cooling system consists of:

1. An air intake on the starter unit.
2. Cooling fins on the flywheel.
3. Cooling fins on the cylinder
4. Cylinder cover (leads cold air onto the cylinder).



Clean the cooling system using a brush at least once a week, in difficult conditions more often.

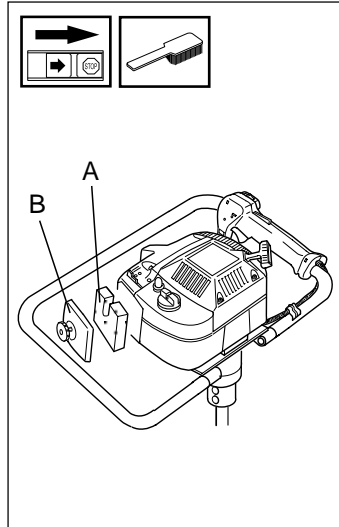
A dirty or blocked cooling system leads to the engine overheating resulting in damage to the cylinder and piston.

Air filter

The air filter (A) should be cleaned regularly removing dust and dirt to avoid:

- carburettor malfunction
- starting problems
- reduced engine power
- unnecessary wear to engine parts
- abnormal fuel consumption

Clean the filter after every 25 hours or more regularly if operating conditions are exceptionally dusty.



Cleaning the air filter

Dismantle the air filter cover (B) and remove the air filter. Wash in clean, warm soapy water. Ensure that the filter is dry before refitting.

An air filter used for a long period of time can never be cleaned completely. Therefore it is necessary to replace the filter from time to time with a new filter. A damaged air filter must always be replaced.

Spark plug

The condition of the spark plug is affected by:

- An incorrect carburettor setting.
- An incorrect fuel mixture (too much or faulty oil).
- A dirty air filter.

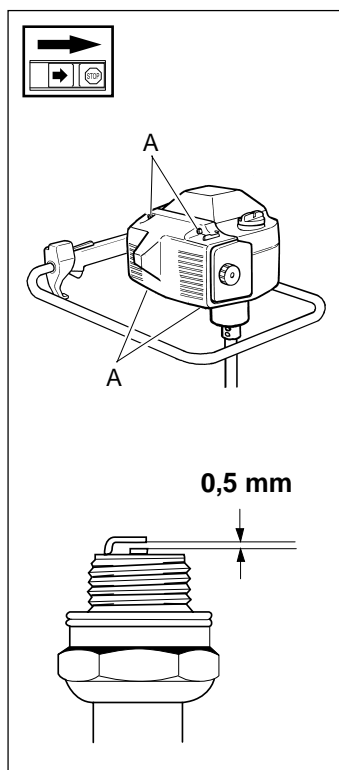
These factors cause deposits on the spark plug electrode that may result in malfunction or starting difficulties.

If the machine is low on power, difficult to start or runs poorly while idling always check the spark plug first before taking other action.

The spark plug is accessed from under the cylinder cover, which is removed by loosening the four bolts (A).

If the spark plug is dirty, clean it and at the same time check that the electrode gap is 0.5 mm. The spark plug should be changed after about one month of operation or earlier if necessary.

NOTE! Always use the recommended type of spark plug. An incorrect spark plug can damage the cylinder/piston.

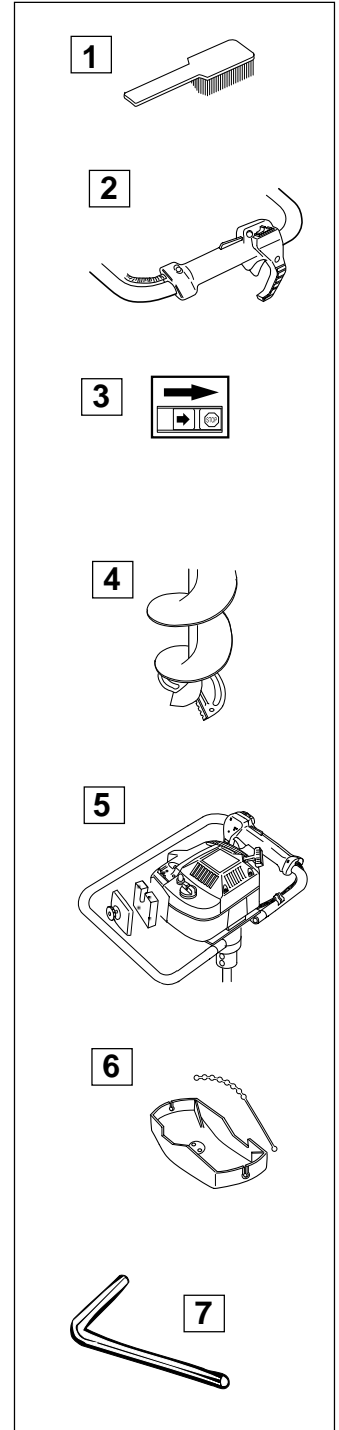


Maintenance schedule

Below follows some general maintenance instructions. If you need further information please contact your service workshop.

Daily maintenance

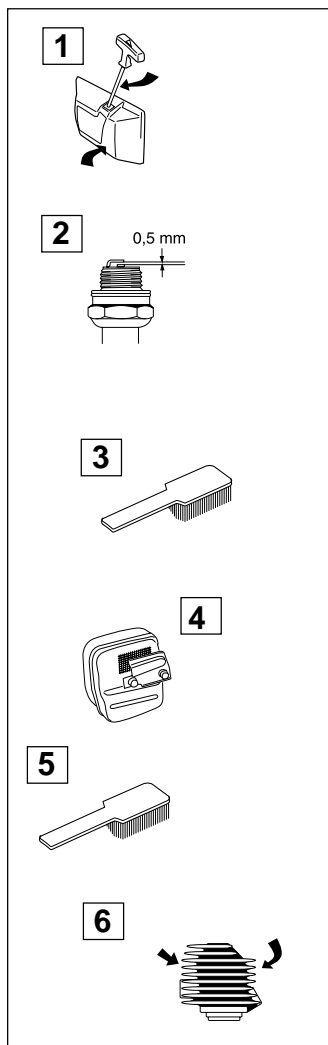
1. Clean the outside of the machine.
2. Make sure the throttle trigger lock and the throttle function correctly from a safety point of view.
3. Check that the stop switch functions.
4. Check that the cutting attachment does not move when the engine is idling.
5. Clean the air filter. Replace if necessary.
6. Check that the transport guard is not damaged. Replace the guard if it is damaged.
7. Check that all nuts and screws are tightened.



MAINTENANCE

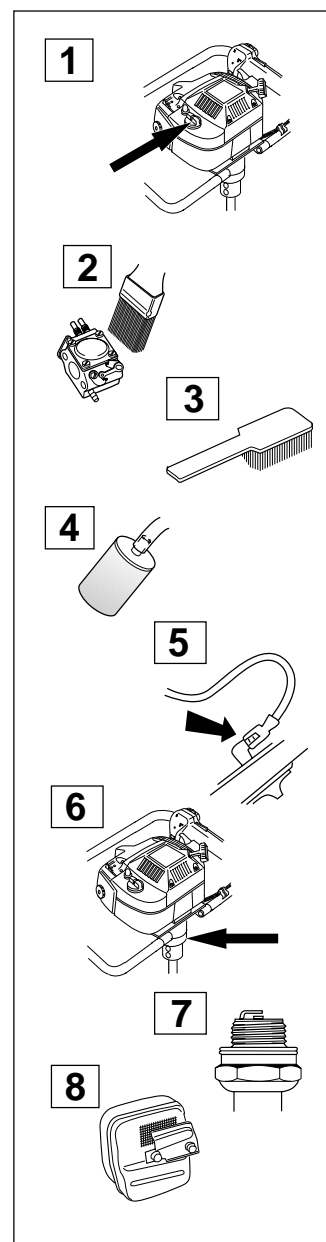
Weekly maintenance

1. Check the starter, the starter cord and the return spring.
2. Clean the outside of the spark plug. Remove and check the electrode gap. Adjust the gap to 0.5 mm or change the spark plug.
3. Clean the cooling fins on the flywheel.
4. Clean or replace the muffler's spark arrest screen (not on mufflers with a catalytic converter).
5. Clean the carburettor area.
6. Clean the cooling fins on the cylinder and check that the air intake in the starter unit is not blocked.



Monthly maintenance

1. Clean the fuel tank.
2. Clean the carburettor and the area surrounding it.
3. Clean the fan wheel and the area around it.
4. Check the fuel filter and the fuel pipe, replace if necessary.
5. Check all cables and connections.
6. Check the clutch, clutch springs and the clutch drum with regard to wear. Replace if necessary.
7. Change the spark plug.
8. Check and clean the muffler's spark arrest screen if necessary (only mufflers with a catalytic converter).



TECHNICAL DATA

| Technical data | 225AI15 | 225AI25 |
|---|-------------------|------------------------|
| Engine | | |
| Cylinder capacity, cu. inch/cm ³ | 1,64/26,9 | 1,64/26,9 |
| Cylinder bore, inch/mm | 1,38/35 | 1,38/35 |
| Stroke length, inch/mm | 1,10/28 | 1,10/28 |
| Idling speed, rpm | 2 700 | 2 700 |
| Recommended max. speed, rpm | 11 200-12 000 | 11 200-12 000 |
| Max. engine output, acc. to ISO 8893 | 0,9 kW/ 9 000 rpm | 0,9 kW/ 9 000 rpm |
| Catalytic converter muffler | Yes | Yes |
| Speed-regulated ignition system | Yes | Yes |
| Ignition system | | |
| Manufacturer/type of ignition system | Walbro MB/CD | Walbro MB/CD |
| Spark plug | Champion RCJ 7Y | Champion RCJ 7Y |
| Electrod gap, mm | 0,5 | 0,5 |
| Fuel lubrication system | | |
| Manufacturer/type of carburettor | Walbro WT | Walbro WT |
| Fuel tank capacity, US pint/litres | 0,85/0,4 | 0,85/0,4 |
| Weight | | |
| Weight, without fuel and cutting tool, Lbs/kg | 11,7/5,3 | 12,8/5,8 |
| Noise levels | | |
| Equivalent noise pressure levels at the user's ear , measured acc. to EN 11806 and ISO 7917, dB(A): | 100 | 100 |
| Equivalent noise power levels measured acc. to EN 11806 and ISO 10884, dB(A): | 102 | 102 |
| Vibration levels | | |
| Vibration levels on the handles measured according to EN 11806 and ISO 7916, m/s ² | | |
| Idling, left/right handle: | 5,8/5,6 | 5,8/5,6 |
| Max. speed, left/right handle: | 7,4/6,0 | 7,4/6,0 |
| | | |
| Approved cutting attachment | Type | Recommended for |
| Drill | Ø 130 mm | 225AI15 |
| Drill | Ø 150 mm | 225AI15 |
| Drill | Ø 200 mm | 225AI25 |
| Drill | Ø 250 mm | 225AI25 |
| Extension (Rallonge) | Length 275 mm | 225AI15/225AI25 |

EMISSION CONTROL WARRANTY STATEMENT

YOUR WARRANTY RIGHTS AND OBLIGATIONS

The EPA (The US Environmental Protection Agency), Environment Canada and Husqvarna Forest & Garden are pleased to explain the emissions control system warranty on your 1999 and later small nonroad engine. In U.S., new small nonroad engines must be designed, built and equipped to meet the federal stringent anti-smog standards. Husqvarna Forest & Garden must warrant the emission control system on your small nonroad engine for the periods of time listed below provided there has been no abuse, neglect or improper maintenance of your unit. Your emission control system includes Parts such as the carburetor and the ignition system.

Where a warrantable condition exists, Husqvarna Forest & Garden will repair your small nonroad engine at no cost to you. Expenses covered under warranty include diagnosis, parts and labor.

MANUFACTURER'S WARRANTY COVERAGE

The 1999 and later small nonroad engines are warranted for two years. If any emission related part on your engine (as listed above) is defective, the part will be repaired or replaced by Husqvarna Forest & Garden.

OWNER'S WARRANTY RESPONSIBILITIES

As the small nonroad engine owner, you are responsible for the performance of the required maintenance listed in your Operator's Manual. Husqvarna Forest & Garden recommends that you retain all receipts covering maintenance on your small nonroad engine, but Husqvarna Forest & Garden cannot deny warranty solely for the lack of receipts or for your failure to ensure the performance of all scheduled maintenance.

As the small nonroad engine owner, you should, however, be aware that Husqvarna Forest & Garden may deny you warranty coverage if your small nonroad engine or a part of it has failed due to abuse, neglect, improper maintenance, unapproved modifications or the use of parts not made or approved by the original equipment manufacturer.

You are responsible for presenting your small nonroad engine to a Husqvarna Forest & Garden authorized servicing dealer as soon as a problem exists. The warranty repairs should be completed in a reasonable amount of time, not to exceed 30 days.

If you have any questions regarding your warranty rights and responsibilities, you should contact your nearest authorized servicing dealer or call Husqvarna Forest & Garden at **1-800-487-5963**.

WARRANTY COMMENCEMENT DATE

The warranty period begins on the date small nonroad engine is delivered.

LENGTH OF COVERAGE

Husqvarna Forest & Garden warrants to the initial owner and each subsequent purchaser that the engine is free from defects in materials and workmanship which cause the failure of a warranted part for a period of two years.

WHAT IS COVERED

REPAIR OR REPLACEMENT OF PARTS

Repair or replacement of any warranted part will be performed at no charge to the owner at an approved Husqvarna Forest & Garden servicing dealer. If you have any questions regarding your warranty rights and responsibilities, you should contact your nearest authorized servicing dealer or call Husqvarna Forest & Garden at **1-800-487-5963**.

WARRANTY PERIOD

Any warranted part which is not scheduled for replacement as required maintenance, or which is scheduled only for regular inspection to the effect of "repair or replace as necessary" shall be warranted for 2 years. Any warranted part which is scheduled for replacement as required maintenance shall be warranted for the period of time up to the first scheduled replacement point for that part.

DIAGNOSIS

The owner shall not be charged for diagnostic labor which leads to the determination that a warranted part is defective, if the diagnostic work is performed at an approved Husqvarna Forest & Garden servicing dealer.

CONSEQUENTIAL DAMAGES

Husqvarna Forest & Garden may be liable for damages to other engine components caused by the failure of a warranted part still under warranty.

WHAT IS NOT COVERED

All failures caused by abuse, neglect or improper maintenance are not covered.

ADD -ON OR MODIFIED PARTS

The use of add-on or modified parts can be grounds for disallowing a warranty claim. Husqvarna Forest & Garden is not liable to cover failures of warranted parts caused by the use of add-on or modified parts.

HOW TO FILE A CLAIM

If you have any questions regarding your warranty rights and responsibilities, you should contact your nearest authorized servicing dealer or call Husqvarna Forest & Garden at **1-800-487-5963**.

WHERE TO GET WARRANTY SERVICE

Warranty services or repairs shall be provided at all Husqvarna Forest & Garden authorized servicing dealers.

MAINTENANCE, REPLACEMENT AND REPAIR OF EMISSION-RELATED PARTS

Any Husqvarna Forest & Garden approved replacement part used in the performance of any warranty maintenance or repairs on emission-related parts, will be provided without charge to the owner if the part is under warranty.

EMISSION CONTROL WARRANTY PARTS LIST

1. Carburetor and internal parts
2. Intake pipe, airfilter holder and carburetor bolts.
3. Airfilter and fuelfilter covered up to maintenance schedule.
4. Ignition System
 - a) Spark Plug, covered up to maintenance schedule
 - b) Ignition Module
5. Muffler with catalytic converter

MAINTENANCE STATEMENT

The owner is responsible for the performance of all required maintenance, as defined in the operator's manual.





2000W43