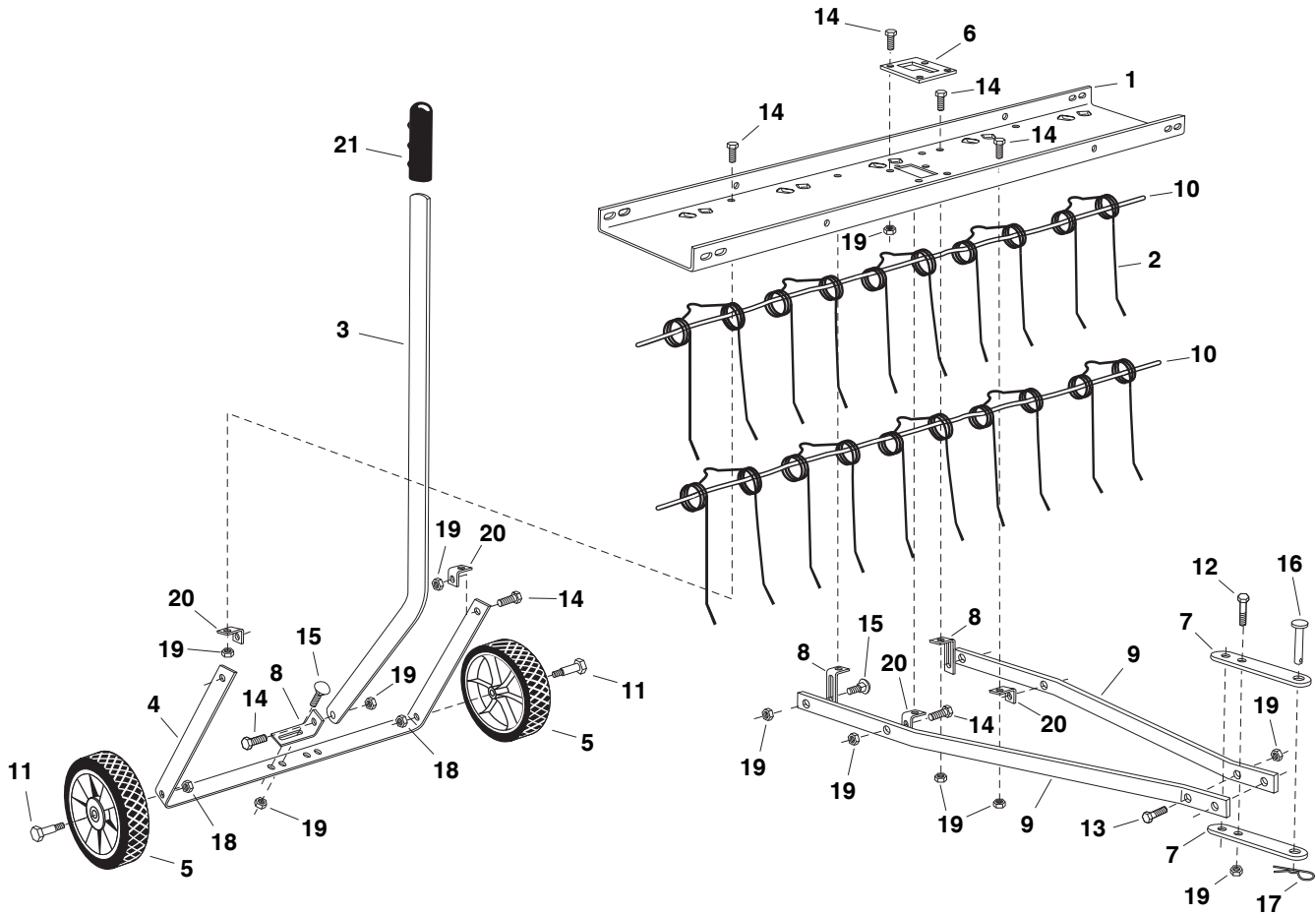


# 586 63 66-01



REF.	PART NO. FOR USA	PART NO. FOR EUROPE	QTY.	DESCRIPTION
1	24836	531 00 76-41	1	Tine Shield
2	43783	531 00 46-26	10	Spring Tine
3	24596	531 00 81-12	1	Lift Handle
4	24595	531 00 81-11	1	Axle Bracket
5	43021	531 00 46-28	2	Wheel
6	24594	531 00 81-02	1	Lift Plate
7	23981	531 00 46-42	2	Hitch Bracket
8	23442	531 00 46-31	3	Hitch Arm Mount Bracket
9	23914	531 00 46-30	2	Hitch Mount Arm
10	47633	531 00 81-19	2	Spring Alignment Wire
11	43029	531 00 46-27	2	Shoulder Bolt
12	44180	874 76 05-32	2	Hex Bolt, 5/16-18 x 2"
13	43840	531 00 81-17	2	Hex Bolt, 5/16-18 x 1-1/4"
14	43063	531 00 74-26	15	Hex Bolt, 5/16-18" x 1"
15	44326	522 77 02-01	4	Carriage Bolt, 5/16-18" x 1"
16	47623	531 00 81-18	1	Hitch Pin, 3/8" (Flat Head)
17	43343	721 68 02-51	1	Hair Cotter Pin, 1/8"
18	HA21362	501 33 27-01	2	Nylock Nut, 3/8-16
19	47810	501 02 11-01	23	Nylock Nut, 5/16-18
20	23826	531 00 81-15	4	Angle Bracket
21	43943	506 62 64-01	1	Handle Grip