

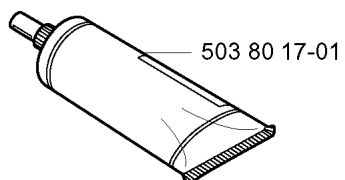
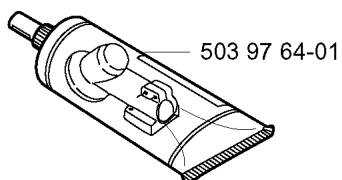
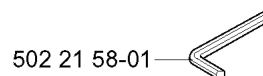
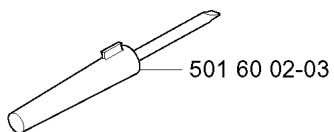
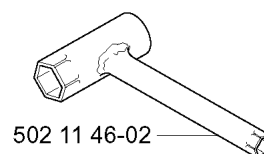
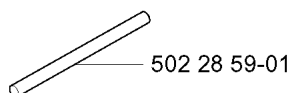


SPARE PARTS LIST

TRIMMERS/EDGERS

325 E X-SERIES, 2001-01

N Accessories
Zubehöre
Accessoires
Accessorios
Tillbehör

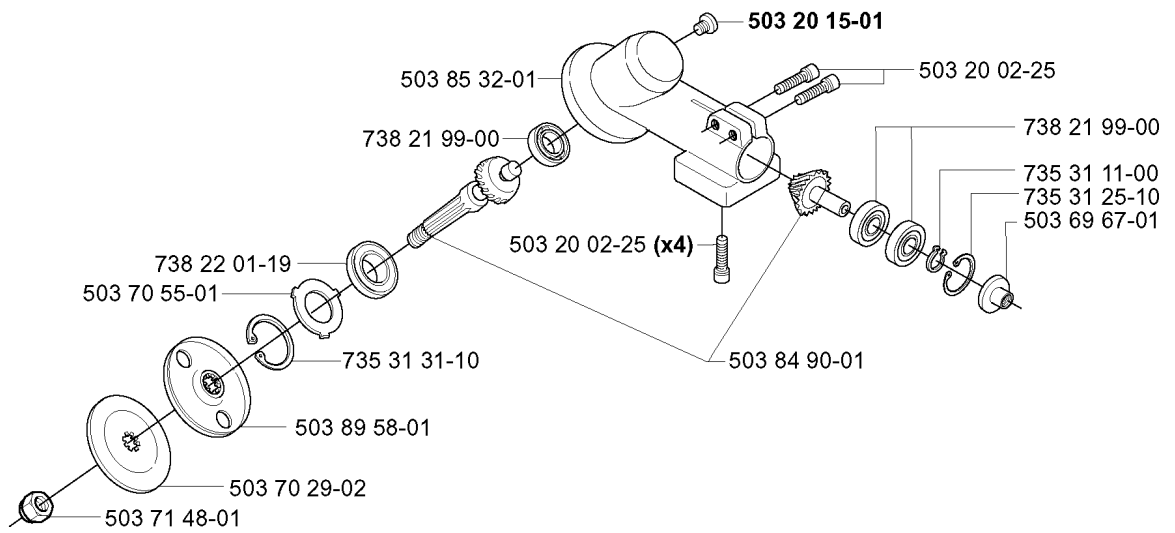


ACCESSORIES

325 E X-SERIES, 2001-01

Part No	Description	Remark	QTY KIT
501 60 02-03	SCREWDRIVER		1
502 11 46-02	SOCKET WRENCH		1
502 21 58-01	L-NYCKEL		1
502 28 59-01	STOP		1
503 80 17-01	GREASE		1
503 97 64-01	GREASE		1

B compl 502 21 92-06



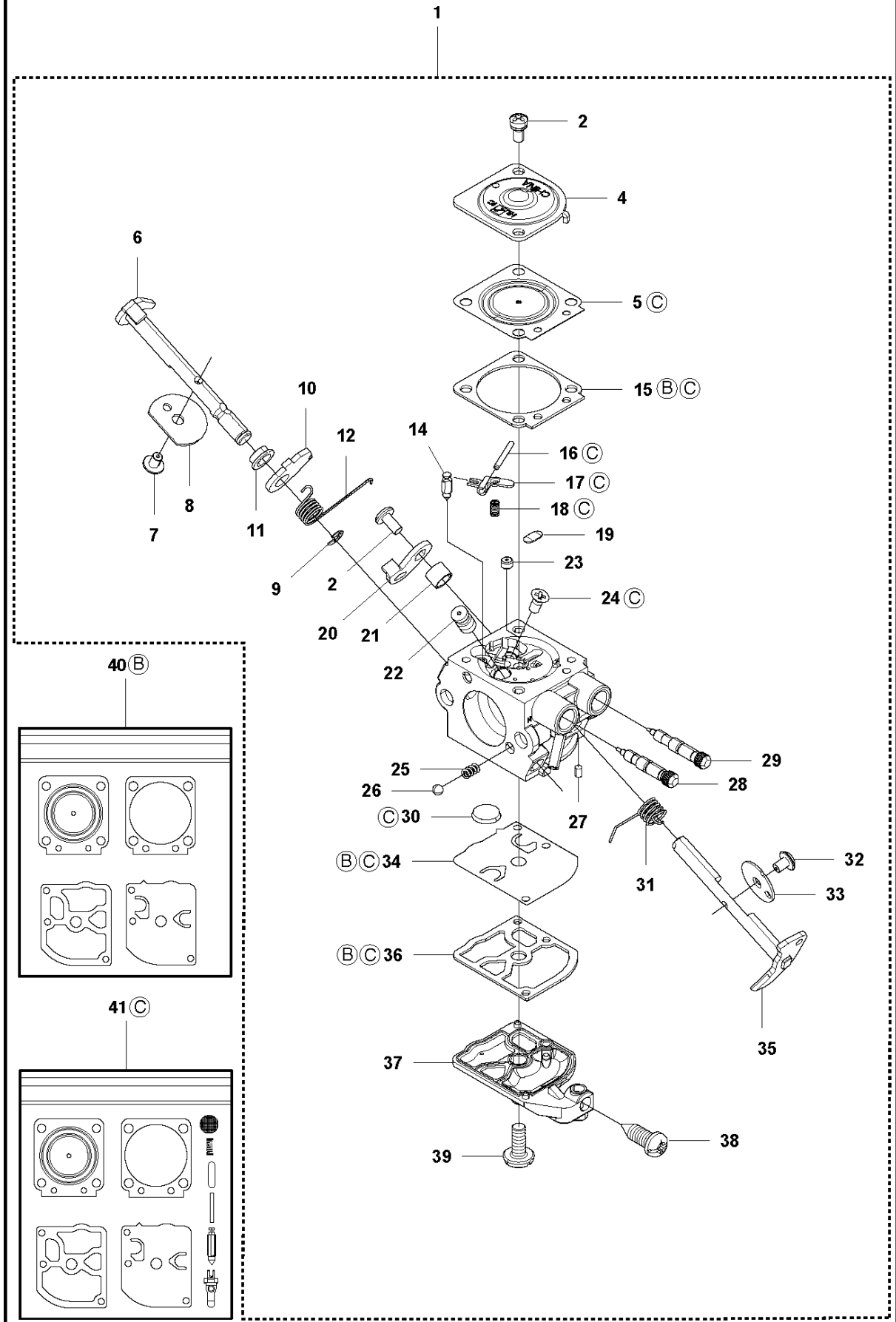
BEVEL GEAR

325 E X-SERIES, 2001-01

Part No	Description	Remark	QTY KIT
502 21 92-06	GEAR		1
503 20 02-25	SCREW IHSCFM		4
503 20 02-25	SCREW IHSCFM		1
503 20 15-01	SCREW IHHM		1
503 69 67-01	GASKET RING UPPER		1
503 70 29-02	SUPPORT FLANGE		1
503 70 55-01	COVER WASHER		1
503 71 48-01	NUT BLADE		1
503 84 90-01	GEAR WHEEL		1
503 85 32-01	GEAR HOUSING		1
503 89 58-01	DRIVER		1
735 31 11-00	CIRCLIP		1
735 31 25-10	CIRCLIP		1
735 31 31-10	CIRCLIP		1
738 21 99-00	BALL BEARING		1
738 21 99-00	BALL BEARING		1
738 22 01-19	BALL BEARING		1

CARBURETOR (only option for US)

Hualong HQ-2

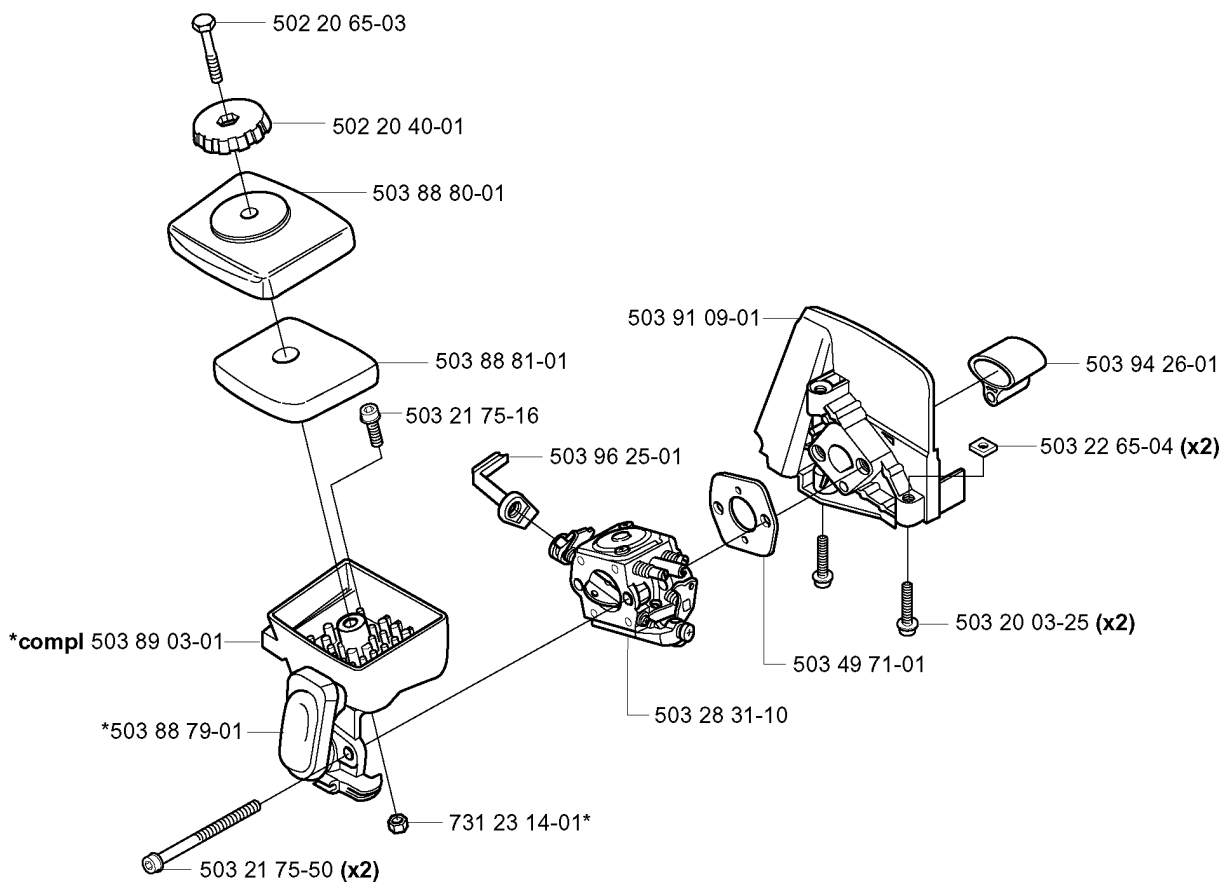


CARBURETOR

325 E X-SERIES, 2001-01

Ref	Part No	Description	Remark	QTY	KIT
1	576 01 98-01	CARBURETTOR	Hualong HQ-2, only option for US	1	
2	576 02 42-01	SCREW		2	1
4	576 02 36-01	COVER		1	1
5	576 02 24-01	DIAPHRAGM ASSY		1	1
6	576 02 30-01	SHAFT ASSY		1	1
7	576 02 41-01	SCREW		1	1
8	576 02 32-01	CHOKE		1	1
9	576 02 48-01	E-CLIP		1	1
10	576 02 31-01	LEVER		1	1
11	576 02 35-01	BUSHING		1	1
12	576 02 33-01	SPRING		1	1
14	576 02 01-01	VALVE		1	1
15	576 02 37-01	GASKET		1	1
16	576 02 03-01	PIN		1	1
17	576 02 04-01	LEVER		1	1
18	576 02 05-01	SPRING		1	1
19	576 02 06-01	PLUG		1	1
20	576 02 28-01	LEVER		1	1
21	576 02 29-01	BUSHING		1	1
22	576 02 07-01	MAIN NOZZLE		1	1
23	576 02 08-01	CHECK VALVE		1	1
24	576 02 43-01	SCREW		1	1
25	576 02 34-01	SPRING		1	1
26	576 02 47-01	BALL		1	1
27	576 02 23-01	BAR		1	1
28	576 02 10-01	NEEDLE		1	1
29	576 02 11-01	NEEDLE		1	1
30	576 02 15-01	SCREEN		1	1
31	576 02 27-01	SPRING		1	1
32	576 02 40-01	SCREW		1	1
33	576 02 26-01	THROTTLE		1	1
34	576 02 39-01	DIAPHRAGM PUMP		1	1
35	576 02 25-01	SHAFT ASSY		1	1
36	576 02 38-01	GASKET		1	1
37	576 02 20-01	COVER		1	1
38	576 02 22-01	SCREW		1	1
39	576 02 44-01	SCREW		1	1
40	581 74 35-01	GASKET KIT		1	1
41	581 74 37-01	REPAIR KIT		1	1

E



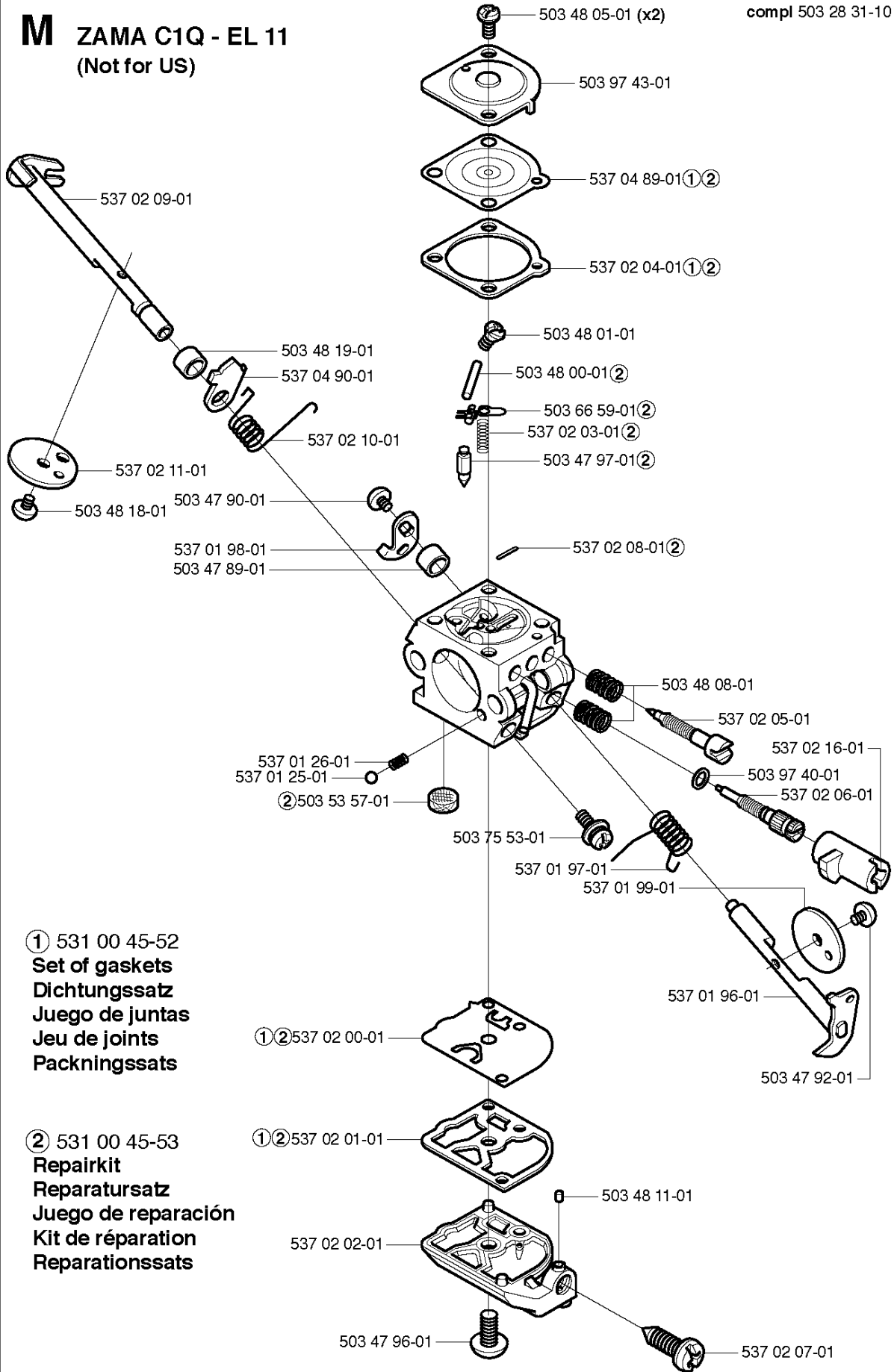
CARBURETOR & AIR FILTER

325 E X-SERIES, 2001-01

Part No	Description	Remark	QTY KIT
502 20 40-01	KNOB		1
502 20 65-03	SCREW EHHM		1
503 20 03-25	SCREW IHSCFM		2
503 21 75-16	SCREW IHSCFT		1
503 21 75-50	SCREW IHSCFT		2
503 22 65-04	SQUARE NUT		2
503 28 31-10	CARBURETTOR		1
503 49 71-01	GASKET		1
503 88 79-01	HUB CAP		1
503 88 80-01	FILTER COVER		1
503 88 81-01	AIR FILTER		1
503 89 03-01	FILTERBLOCK ASSY		1
503 91 09-01	INSULATION WALL		1
503 94 26-01	INLET PIPE		1
503 96 25-01	CHOKE CONTROL		1
731 23 14-01	HEXAGON NUT		1

M ZAMA C1Q - EL 11
(Not for US)

compl 503 28 31-10

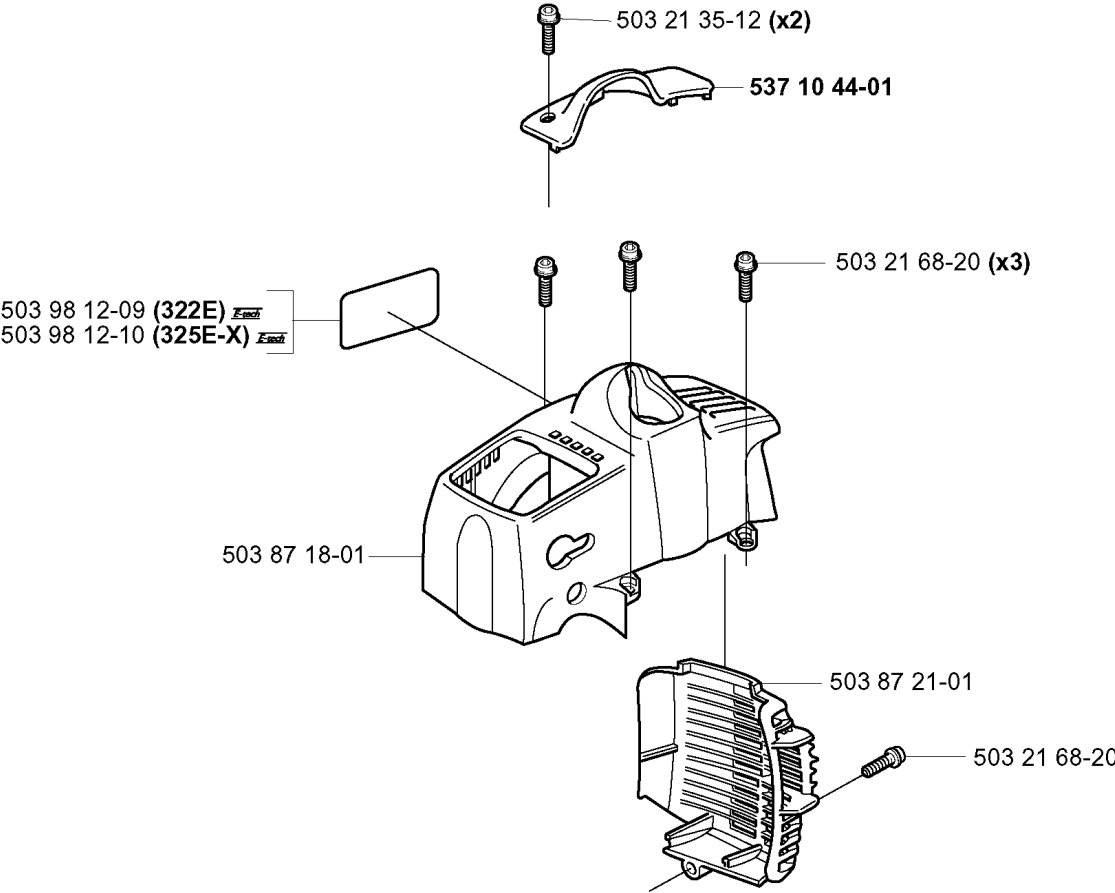


CARBURETOR, NOT FOR US

325 E X-SERIES, 2001-01

Part No	Description	Remark	QTY KIT
503 28 31-10	CARBURETTOR		1
503 47 89-01	COLLAR		1
503 47 90-01	SCREW		1
503 47 92-01	SCREW		1
503 47 96-01	SCREW		1
503 47 97-01	VALVE	531 00 45-53 REPAIRKIT	1
503 48 00-01	PIN RETAINING SCREW	531 00 45-53 REPAIRKIT	1
503 48 01-01	SCREW		1
503 48 05-01	SCREW		2
503 48 08-01	SPRING		1
503 48 11-01	PIECE		1
503 48 18-01	SCREW		1
503 48 19-01	COLLAR		1
503 53 57-01	STRAINER	531 00 45-53 REPAIRKIT	1
503 66 59-01	LEVER	531 00 45-53 REPAIRKIT	1
503 75 53-01	SCREW		1
503 97 40-01	WASHER		1
503 97 43-01	COVER		1
531 00 45-52	GASKET KIT		1
531 00 45-53	SET		1
537 01 25-01	BALL		1
537 01 26-01	SPRING		1
537 01 96-01	SHAFT ASSY		1
537 01 97-01	SPRING		1
537 01 98-01	LEVER		1
537 01 99-01	VALVE		1
537 02 00-01	DIAPHRAGM PUMP	531 00 45-52 SET OF GASKETS 531 00 45-53 REPAIRKIT	1
537 02 01-01	GASKET PUMP	531 00 45-52 SET OF GASKETS 531 00 45-53 REPAIRKIT	1
537 02 02-01	COVER		1
537 02 03-01	SPRING	531 00 45-53 REPAIRKIT	1
537 02 04-01	GASKET	531 00 45-52 SET OF GASKETS 531 00 45-53 REPAIRKIT	1
537 02 05-01	SCREW		1
537 02 06-01	SCREW		1
537 02 07-01	SCREW		1
537 02 08-01	PLUG	531 00 45-53 REPAIRKIT	1
537 02 09-01	SHAFT ASSY		1
537 02 10-01	SPRING		1
537 02 11-01	VALVE		1
537 02 16-01	LIMITER CAP		1
537 04 89-01	DIAPHRAGM	531 00 45-52 SET OF GASKETS 531 00 45-53 REPAIRKIT	1
537 04 90-01	LEVER		1

D



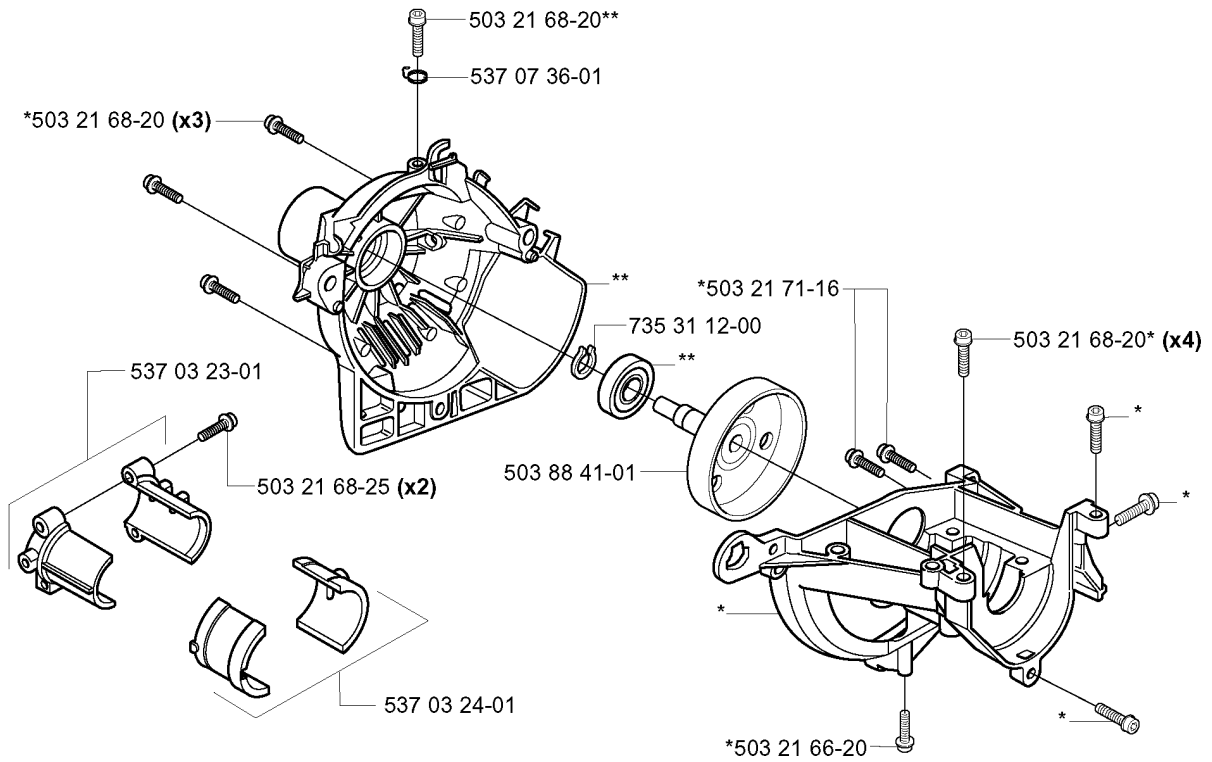
COVER

325 E X-SERIES, 2001-01

Part No	Description	Remark	QTY KIT
503 21 35-12	SCREW CCRPANT		2
503 21 68-20	SCREW IHSCFT		1
503 21 68-20	SCREW IHSCFT		3
503 87 18-01	CYLINDER COVER		1
503 87 21-01	HEAT PROTECTOR		1
503 98 12-09	LABEL	322E	1
503 98 12-10	LABEL	325E-X	1
537 10 44-01	ARM PROTECTION		1

L

*compl 537 04 11-01
**compl 537 04 12-01



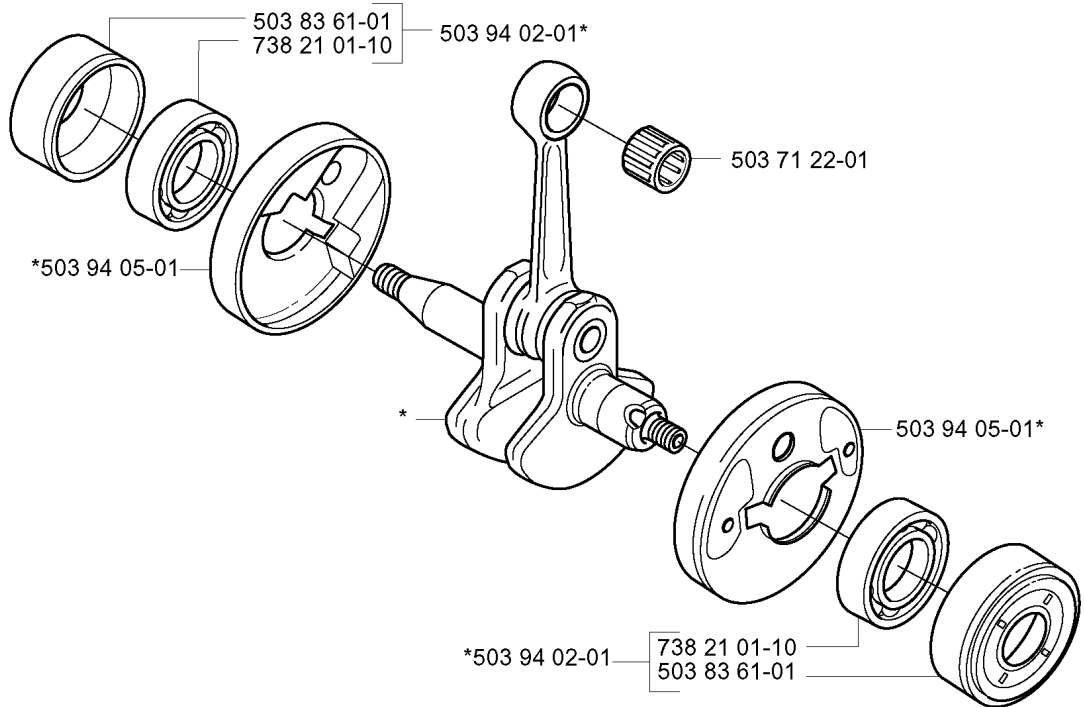
CRANKCASE

325 E X-SERIES, 2001-01

Part No	Description	Remark	QTY KIT
503 21 66-20	SCREW IHSC T		1
503 21 68-20	SCREW IHSC FT		3
503 21 68-20	SCREW IHSC FT		4
503 21 68-20	SCREW IHSC FT		1
503 21 68-25	SCREW IHSC FT		2
503 21 71-16	SCREW IHSC T		1
503 88 41-01	CLUTCH DRUM		1
537 03 23-01	CLAMPING SLEEVE ASSY		1
537 03 24-01	INSULATOR		1
537 04 11-01	CRANKCASE		1
537 04 12-01	CLUTCH COVER		1
537 07 36-01	SPRING		1
735 31 12-00	CIRCLIP		1

J

*compl 503 85 24-73



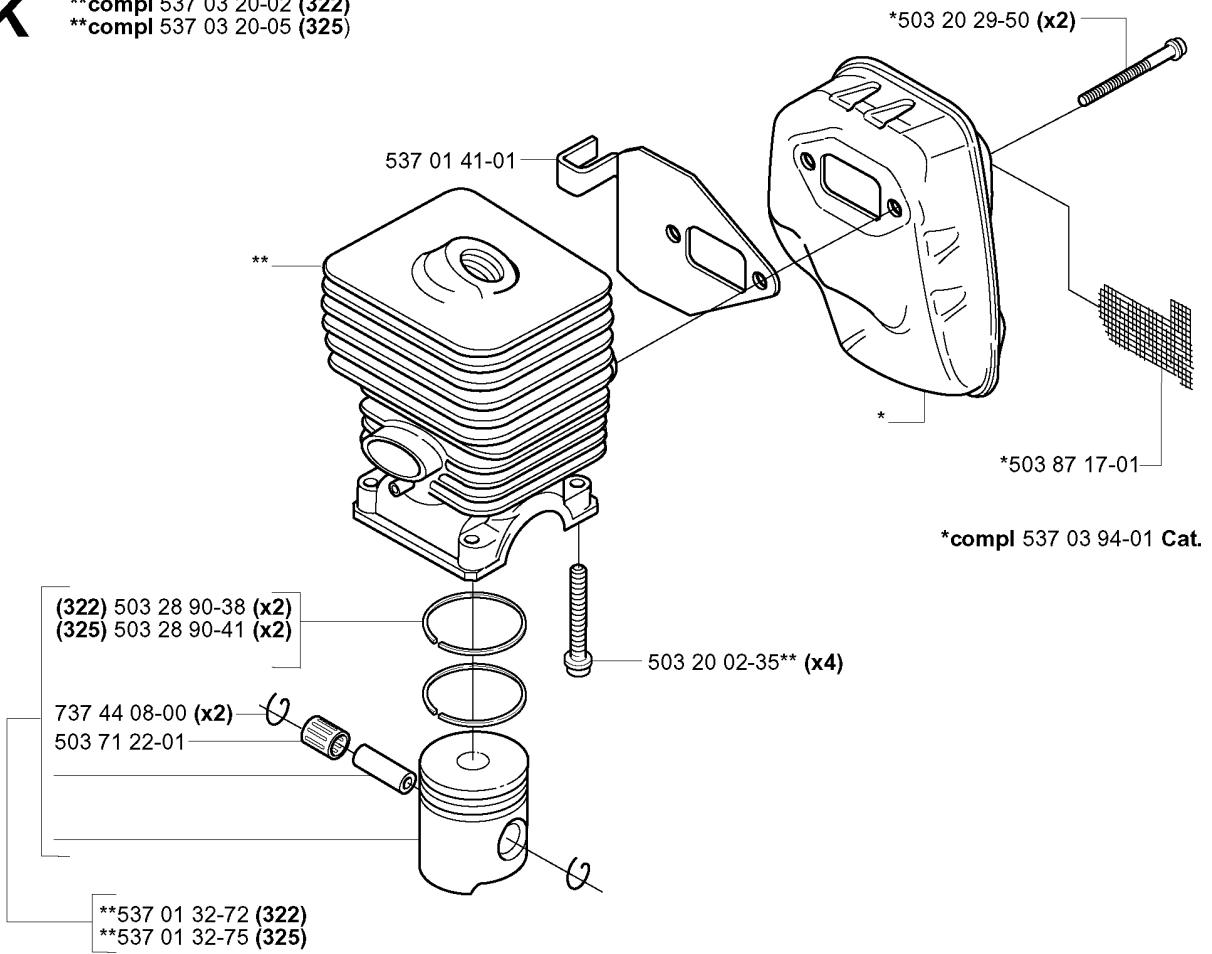
CRANKSHAFT

325 E X-SERIES, 2001-01

Part No	Description	Remark	QTY KIT
503 71 22-01	BEARING		1
503 83 61-01	BEARING CAGE		1
503 83 61-01	BEARING CAGE		1
503 85 24-73	CRANKSHAFT ASSY		1
503 94 02-01	BEARING CAGE		1
503 94 02-01	BEARING CAGE		1
503 94 05-01	CUP		1
503 94 05-01	CUP		1
738 21 01-10	BALL BEARING		1
738 21 01-10	BALL BEARING		1

K

****compl 537 03 20-02 (322)**
****compl 537 03 20-05 (325)**

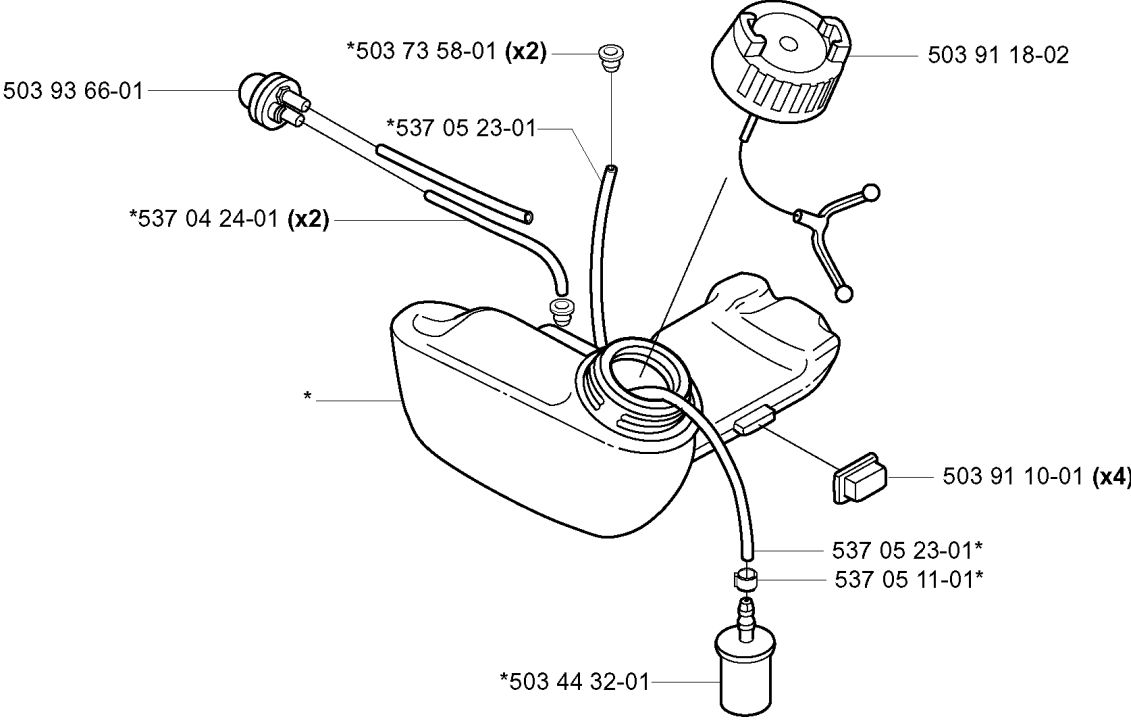


CYLINDER PISTON

325 E X-SERIES, 2001-01

Part No	Description	Remark	QTY KIT
503 20 02-35	SCREW IHSCFM		4
503 20 29-50	SCREW IHSCFM		2
503 28 90-38	PISTON RING	322	2
503 28 90-41	PISTON RING	325	2
503 71 22-01	BEARING		1
503 87 17-01	SPARK ARRESTOR SCREEN		1
537 01 32-72	PISTON	322	1
537 01 32-75	PISTON	325	1
537 01 41-01	GASKET		1
537 03 20-02	PISTON	322	1
537 03 20-05	PISTON	325	1
537 03 94-01	MUFFLER ASSY	CAT.	1
737 44 08-00	CIRCLIP		2

G *compl 537 06 86-01

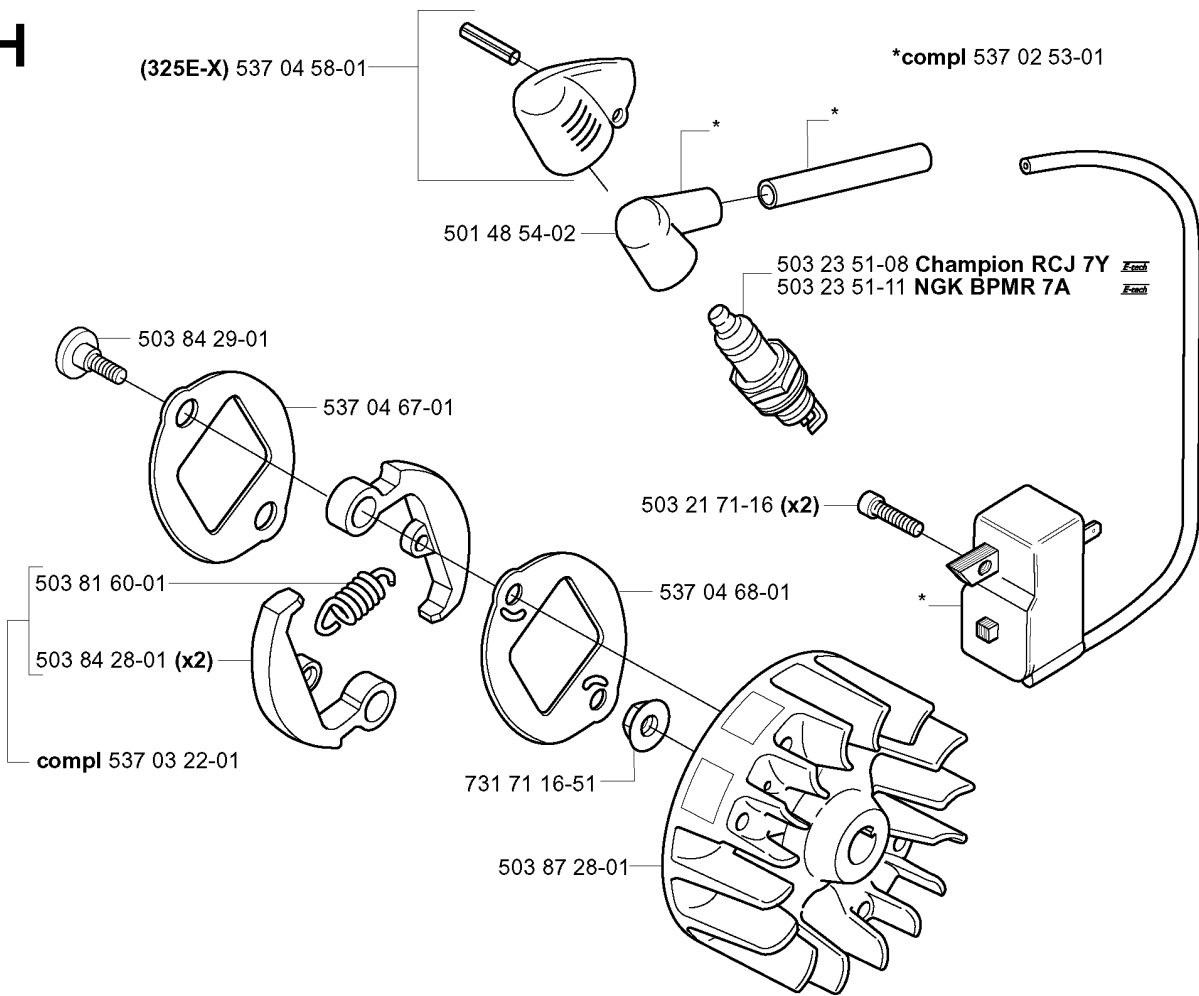


FUEL TANK

325 E X-SERIES, 2001-01

Part No	Description	Remark	QTY KIT
503 44 32-01	FILTER		1
503 73 58-01	BUSHING		2
503 91 10-01	SUSPENSION		4
503 91 18-02	TANK CAP		1
503 93 66-01	PRIMER HOUSING		1
537 04 24-01	FUEL HOSE		2
537 05 11-01	HOSE CLAMP		1
537 05 23-01	FUEL HOSE		1
537 05 23-01	FUEL HOSE		1
537 06 86-01	FUEL TANK		1

H

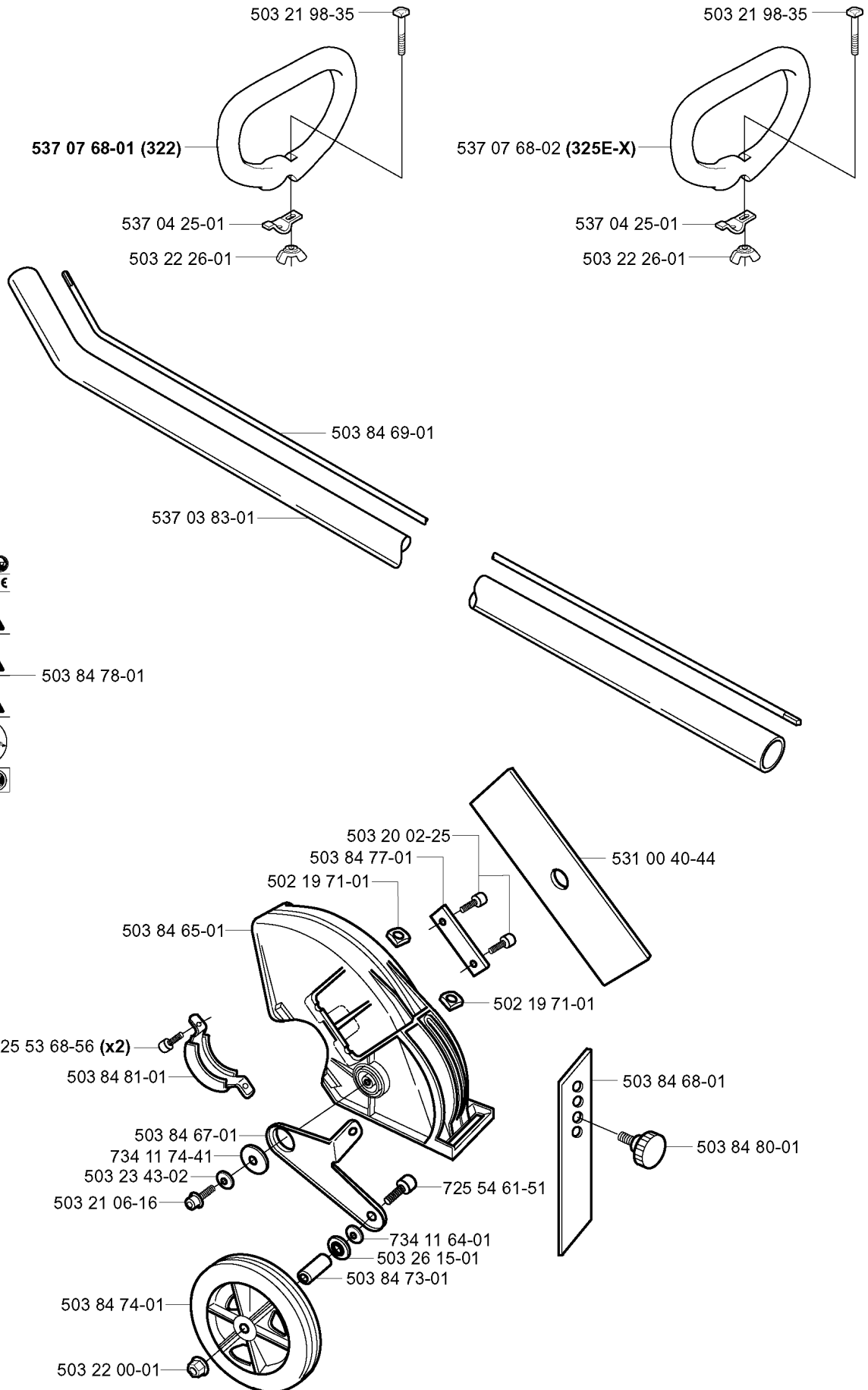


IGNITION SYSTEM & CLUTCH

325 E X-SERIES, 2001-01

Part No	Description	Remark	QTY KIT
501 48 54-02	SPARK PLUG CAP		1
503 21 71-16	SCREW IHSCT		2
503 23 51-08	SPARK PLUG	CHAMPION RCJ 7Y	1
503 23 51-11	SPARK PLUG	NGK BPMR 7A	1
503 81 60-01	CLUTCH SPRING		1
503 84 28-01	CLUTCH SHOE		2
503 84 29-01	SCREW		1
503 87 28-01	FLYWHEEL		1
537 02 53-01	ELECTRONIC MODULE		1
537 03 22-01	CLUTCH ASSY		1
537 04 58-01	COVER	325E-X	1
537 04 67-01	WASHER		1
537 04 68-01	WASHER		1
731 71 16-51	HEXAGON NUT FLANGED		1

A



SHAFT & HANDLE

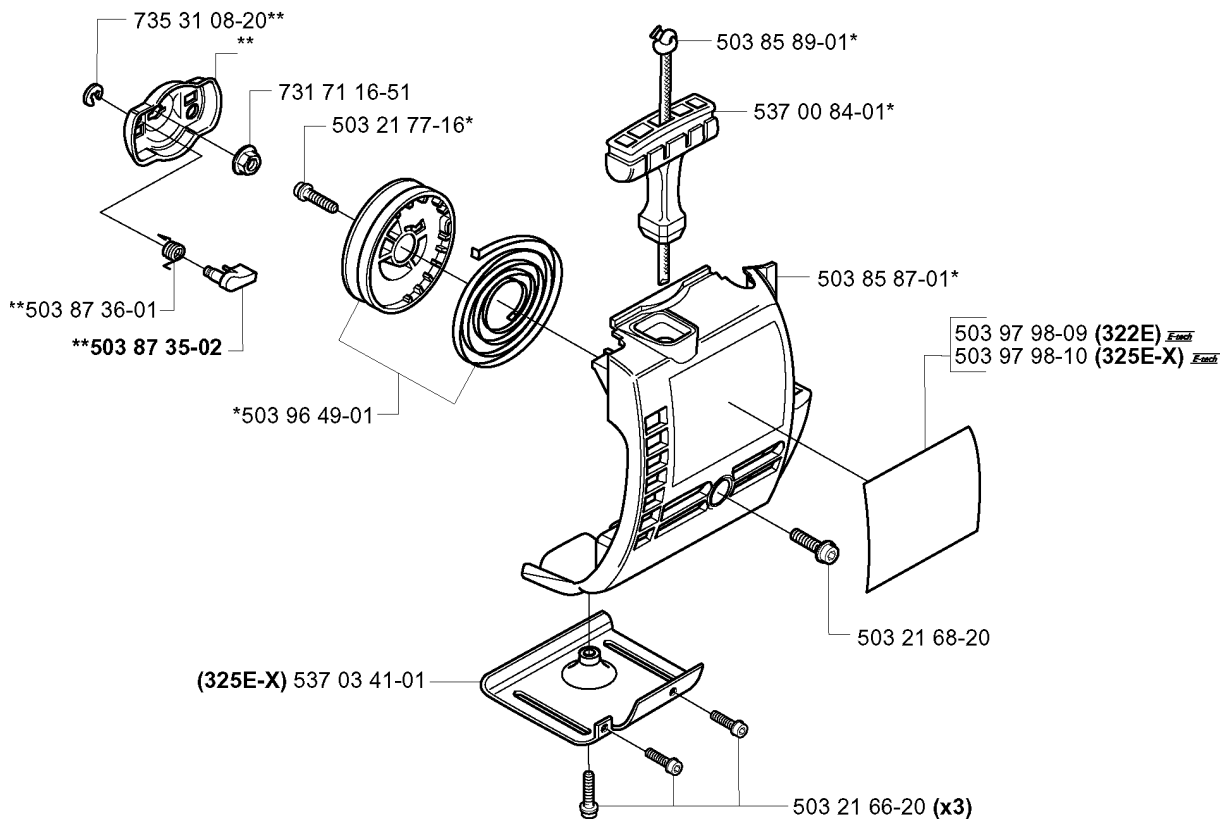
325 E X-SERIES, 2001-01

Part No	Description	Remark	QTY KIT
502 19 71-01	SQUARE NUT		1
502 19 71-01	SQUARE NUT		1
503 20 02-25	SCREW IHSCFM		1
503 21 06-16	SCREW IHSCFT		1
503 21 98-35	SCREW		1
503 21 98-35	SCREW		1
503 22 00-01	HEXAGON NUT FLANGE		1
503 22 26-01	NUT		1
503 22 26-01	NUT		1
503 23 43-02	WASHER		1
503 26 15-01	SEALING RING		1
503 84 65-01	PROTECTIVE COVER		1
503 84 67-01	BRACKET		1
503 84 68-01	SPLASH GUARD		1
503 84 69-01	SHAFT		1
503 84 73-01	PIPE		1
503 84 74-01	WHEEL		1
503 84 77-01	BASE PLATE		1
503 84 78-01	LABEL		1
503 84 80-01	STEERING WHEEL		1
503 84 81-01	CLAMP		1
531 00 40-44	BLADE		1
537 03 83-01	TUBE		1
537 04 25-01	ATTACHMENT PLATE		1
537 04 25-01	ATTACHMENT PLATE		1
537 07 68-01	HANDLE	322	1
537 07 68-02	HANDLE	325E-X	1
725 53 68-56	SCREW IHSCM		2
725 54 61-51	SCREW IHSCM		1
734 11 64-01	WASHER		1
734 11 74-41	WASHER		1

F

****compl 503 87 33-02**

***compl 503 85 28-01**

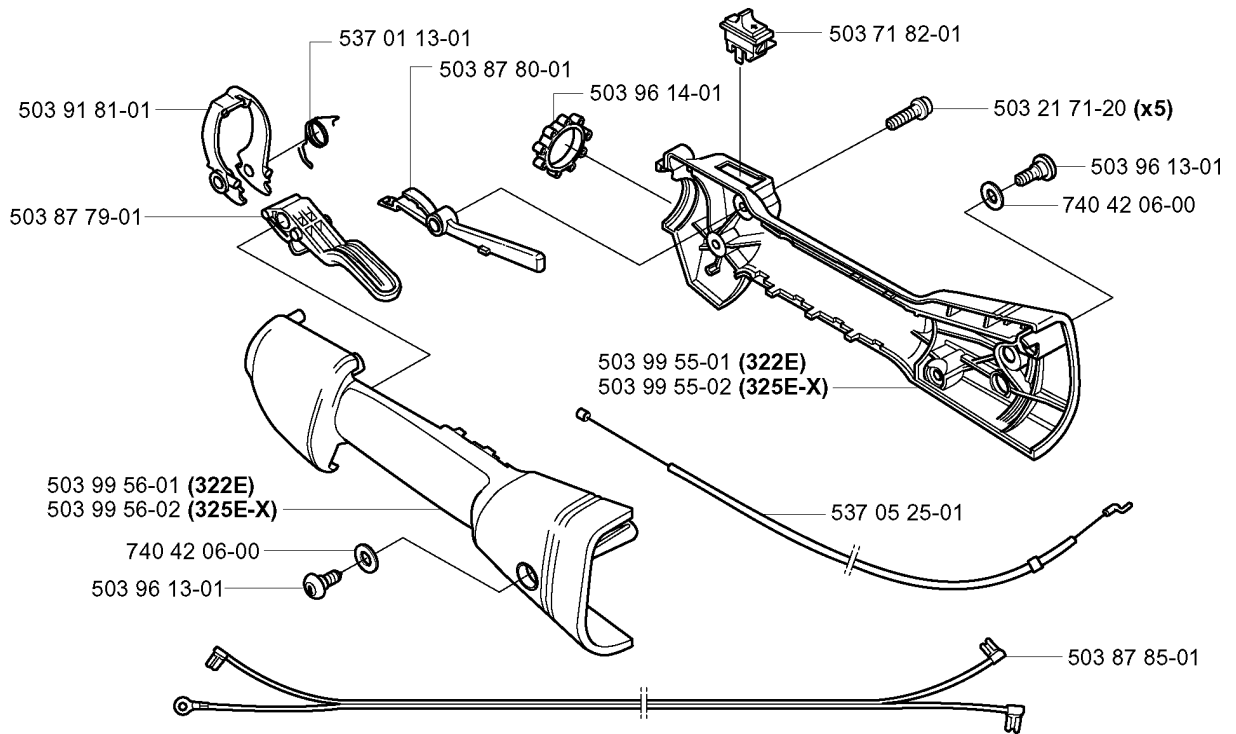


STARTER

325 E X-SERIES, 2001-01

Part No	Description	Remark	QTY KIT
503 21 66-20	SCREW IHSC T		3
503 21 68-20	SCREW IHSC FT		1
503 21 77-16	SCREW IHSC T		1
503 85 28-01	STARTER ASSY		1
503 85 87-01	STARTER HOUSING		1
503 85 89-01	STARTER CORD		1
503 87 33-02	STARTER PAWL BRIDGE		1
503 87 35-02	STARTER PAWL		1
503 87 36-01	SPRING		1
503 96 49-01	STARTER PULLEY		1
503 97 98-09	DECAL STARTER	322E	1
503 97 98-10	DECAL STARTER	325E-X	1
537 00 84-01	STARTER HANDLE		1
537 03 41-01	PROTECTIVE PLATE	325E-X	1
731 71 16-51	HEXAGON NUT FLANGED		1
735 31 08-20	E-CLIP		1

C



THROTTLE CONTROLS

325 E X-SERIES, 2001-01

Part No	Description	Remark	QTY KIT
503 21 71-20	SCREW IHSCT		5
503 71 82-01	SWITCH		1
503 87 79-01	THROTTLE TRIGGER		1
503 87 80-01	THROTTLE LOCKOUT		1
503 87 85-01	SHORT CIRCUIT CABLE		1
503 91 81-01	THROTTLE LEVER		1
503 96 13-01	SCREW		1
503 96 13-01	SCREW		1
503 96 14-01	VIBRATION ABSORBER		1
503 99 55-01	HANDLE HALF RIGHT	322E	1
503 99 55-02	HANDLE HALF RIGHT	325E-X	1
503 99 56-01	HANDLE HALF	322E	1
503 99 56-02	HANDLE HALF	325E-X	1
537 01 13-01	RECOIL SPRING		1
537 05 25-01	THROTTLE WIRE ASSY		1
740 42 06-00	O-RING		1
740 42 06-00	O-RING		1