

# SG11, SG13

**Spare parts**

**Ersatzteile**

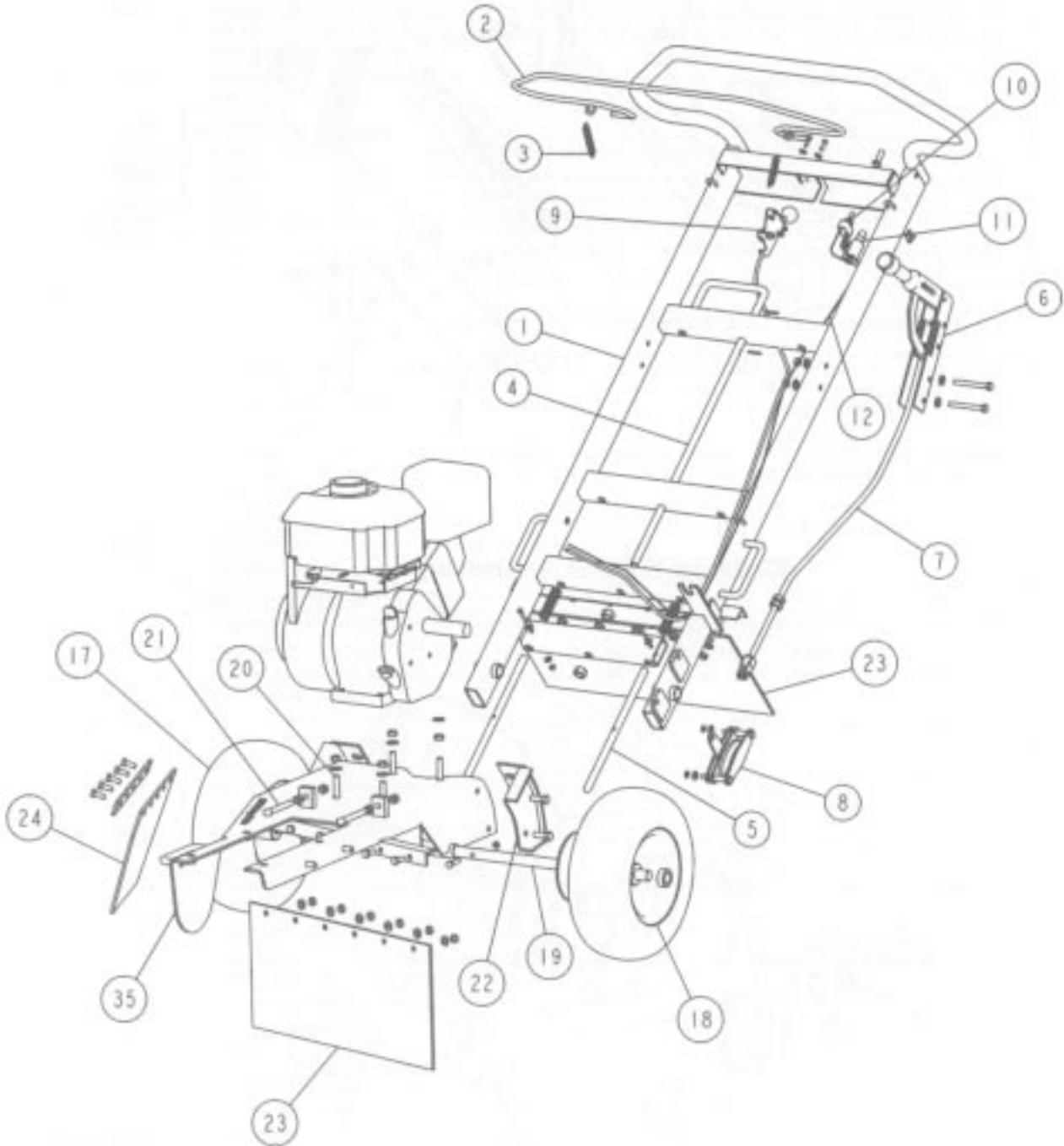
**Pièces détachées**

**Reserve onderdelen**

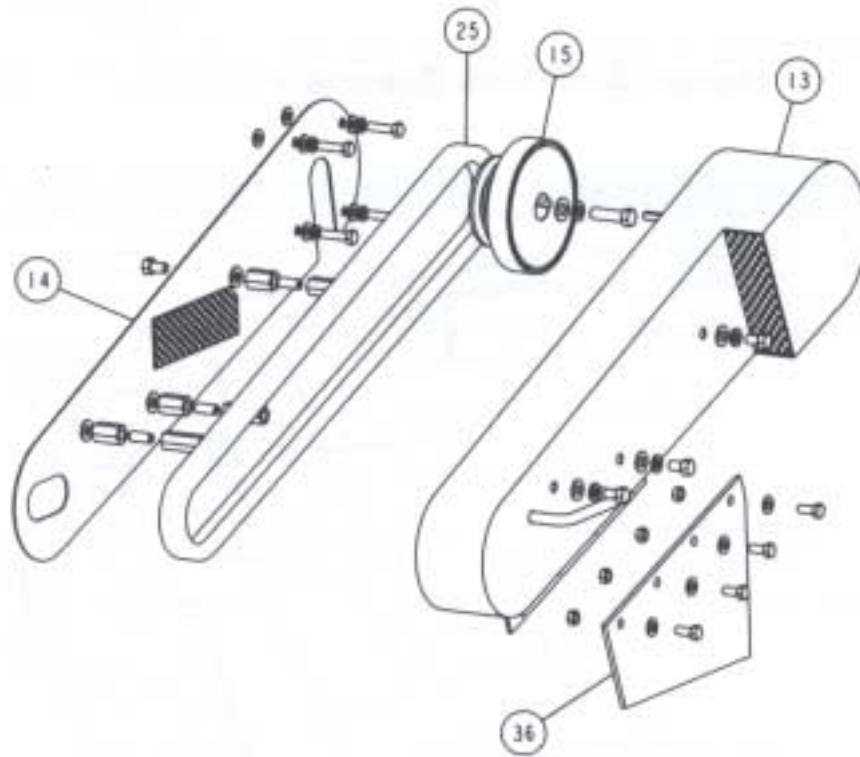
**Repuestos**

**Reservdelar**

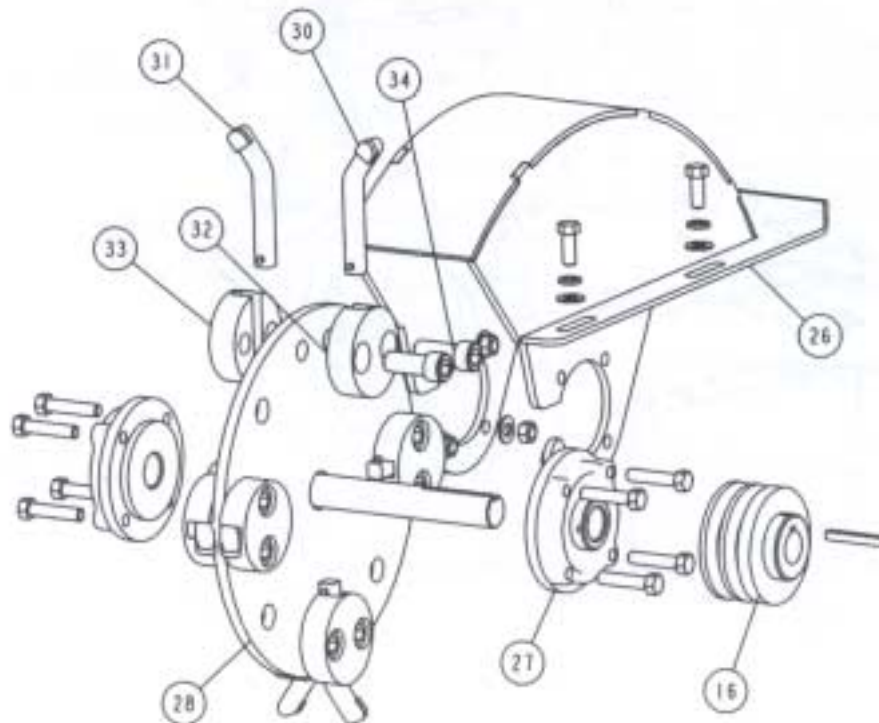
# Handle and Deck Assembly



## Belt Cover Guard Assembly



## Cutting Wheel Assembly



# Parts List

- 1 .....540020200 ..... Handle
- 2 .....540020201 ..... Bail Assy - includes bail and extension spring (2 ea)
- 3 .....540020202 ..... Extension spring (1 ea)
- 4 .....540020203 ..... Handle Adjustment Lever Assembly - includes lever, roll pins (2 ea), 1/2"hex nuts (2 ea.)
- 5 .....540020204 ..... Handle Adjustment Pin Assembly - includes plate, 1/2"adjustment pin (2 ea), 1/4"bolts (2 ea), 1/4" flat washer (2 ea), 1/4" lock washer (2 ea), #10 washer (4 ea), #10 bolt (2 ea), #10 lock nut (2 ea), compression spring (2 ea)
- 6 .....540020205 ..... Brake Lever - includes lever, 5/16"-18 x 2-3/4" hex bolt (2 ea), 5/16"flat washer (4 ea), 5/16"-18 lock nut (2 ea)
- Correction: 540020206**
- 7 .....540020208 ..... Brake Cable
- 8 .....540020207 ..... Brake Caliper Assembly - includes caliper assembly, 1/4"-20 lock nut (2 ea),1/4" washer (2ea)
- 9 .....540020208 ..... Throttle Cable Assembly - includes throttle assembly with knob, #10-24 x 3/4"slotted round head screw (2 ea), #10-24 lock nut (2 ea), #10 flat washer (2 ea)
- 10 .....540020209 ..... On/Off Toggle Switch - includes switch, boot cover and hardware
- 11 .....540020210 ..... PlungerSwitchAssembly- includes switch, #10-24 x 3/4" slotted round head screw (2 ea), #10-24 lock nut (2 ea), #10 flat washer (2 ea)
- 12 .....540020211 ..... Wire HarnessAssembly
- 13 .....540020212 ..... Drive Cover Assembly - includes cover, 3/8"-16 x 5/8" hex bolt (3 ea), 3/8" lock washer (3 ea), 3/8" flat washer (3 ea)
- 14 .....540020213 ..... Belt Guard Plate-includes plate, 3/8":16 xS/8"hexbolt (1 ea), 3/8"-16 x 1"hex bolt (2 ea), 5/16":24x 1-1/4" hexbolt (4 ea), 3/8"1lockwasher (3 ea), 3/8" flatwasher (6 ea), 1/4"flatwasher (12ea) 1/4" lock washer (4 ea), 3/8" -18 x 1"set screw (3 ea), 3/8"-16 x 1-3/4"coupler nut (3ea), 3/8" -16 x 1-1/8" coupler nut (3 ea)
- 15 .....540020214 ..... Centrifugal Clutch Assembly - includes 2-groove centrifugal clutch B-4"OD 7/16"-20 x 1-1/2"hex bolt (1 ea) 7/16" split lock washer (1 ea), 7/16" flat washer (1 ea), 1/2" flat washer (1ea), 1/4"sq x 2" key (1 ea)
- 16 .....540020215 ..... Double V-Pulley - includes B-3.55"OD V-pulley, 1/4"square x 2" key (1 ea)
- 17 .....540020216 ..... Right Wheel - 12"short hub wheel, set collar 3/4"bore
- 18 .....540020217 ..... Left Wheel- 12" wheel with disc brake, setcollar 3/4"bore
- 19 .....540020218 ..... AxleAssembly-Axle 3/4"diameter, 1/4"-20 x 1-1/4"hexholt (1 ea), 1/4"-20 lock nut (1 ea)
- 20 .....540020219 ..... Engine Bolt Kit-3/8"-16x 1-3/4"carriage bolt (4 ea), 3/8"flatwasher(4ea), 3/8"-16 lock nut (4ea)
- 21 .....540020220 ..... Jack Screw- includes3/8"-16x3"square head setscrew(2 ea), 3/8"-16 hex nut (4ea)
- 22 .....540020221 ..... Handle Adjustment Bracket - includes bracket, 3/8"-16 x 1" hex bolt (2 ea), 3/8" flat washer (4ea) 3/8"lock nut (2 ea)
- 23 .....540020222 ..... Rear Deflector Kit and Deck Deflector Kit (same P/N for both) - includes deflector, 5/16"-18 x 3/4" hex bolt (6 ea), 5/16"flat washer (6 ea), 5/16"lock nut (6 ea)
- 24 .....540020223 ..... Right Side Deflector Kit - includes neoprene deflector, deflector strap, 5/16"-18 x 3/4" hex bolt (5ea), 5/16"flat washer (5 ea), 5/16" lock nut (5 ea)
- 25 .....540020224 ..... Double V-Belt, BP54
- 26 .....540020225 ..... Cutting Wheel Shroud Kit - includes shroud, 3/8"-16 x 1" hex bolt (4 ea), 3/8"split lock washer (4 ea), 3/8"flat washer (4 ea)
- 27 .....540020226 ..... Bearings, Flange-includes bearing (1 ea), 3/8"-16 x 1-3/4"hex bolt (4 ea), 3/8"flatwasher (4ea), 3/8" lock nut (4 ea)
- 28 .....540020227 ..... Cutting Wheel Assembly - (cutting wheel only / no teeth) - 11 -1 /4" diameter
- 29 .....540020228 ..... Complete set of Cutting Teeth - includes counter bore pocket (4 ea), threaded pockets (4 ea), left tooth (4 ea), right tooth (4 ea), socket head screw (8 ea)
- 30 .....540020229 ..... Right Tooth (1 ea)
- 31 .....540020230 ..... Left Tooth (1 ea)
- 32 .....540020231 ..... Counter Bore Pocket (1 ea)
- 33 .....540020232 ..... Threaded Pocket (1 ea)
- 34 .....540020233 ..... Socket Head Screw (2 ea) - Note: 2 screws are required per complete pocket
- 35 .....540020234 ..... Deck, Stump Grinder
- 36 .....540020237 ..... Left Side Deflector Kit- includes neoprene deflector, 5/16"-18x 3/4"hex bolt (4 ea), 5/16"flat washer (4 ea), 5/16" lock nut (4 ea)