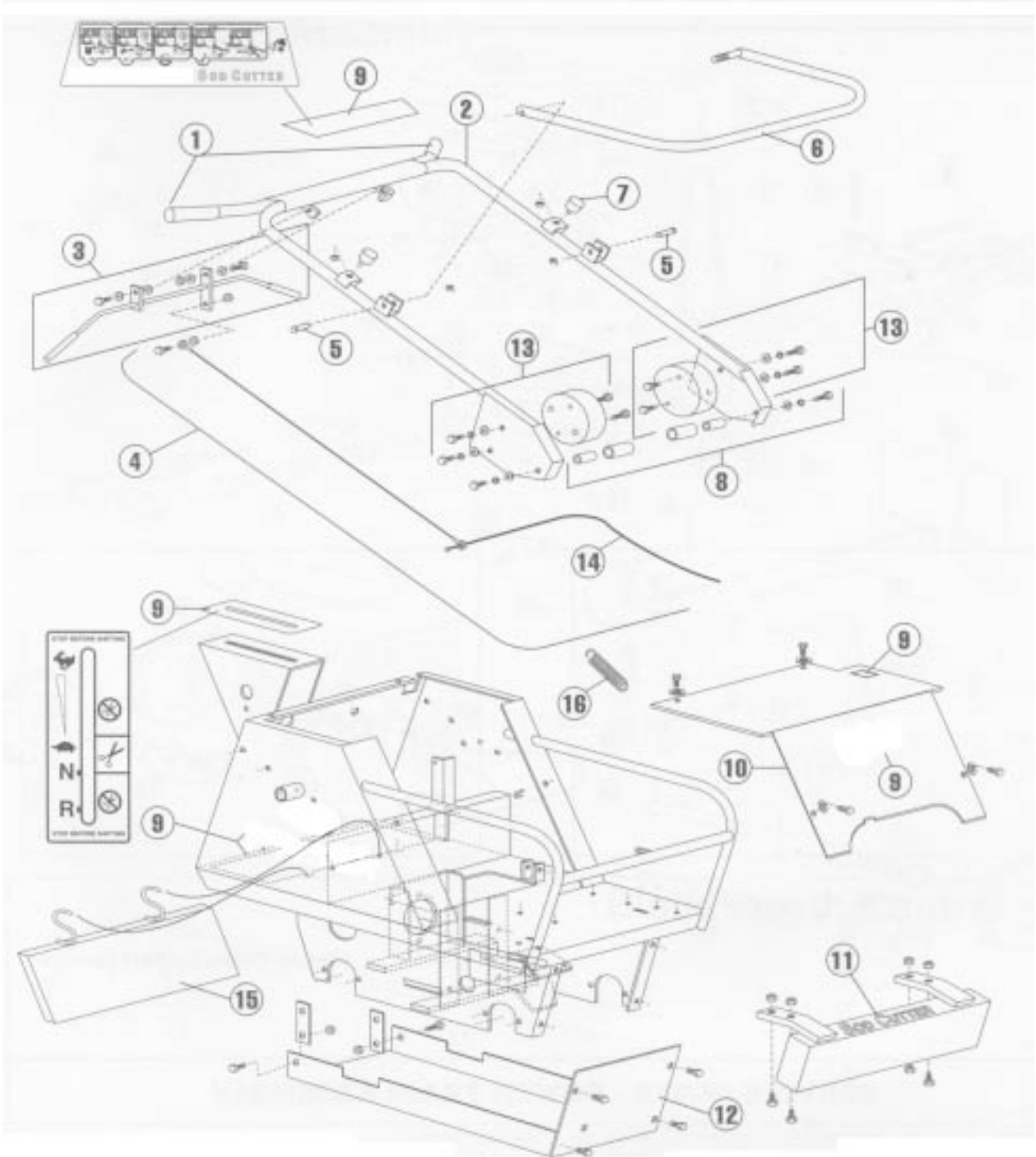


SC18

Spare parts
Ersatzteile
Pièces détachées
Reserve onderdelen
Repuestos
Reservdelar

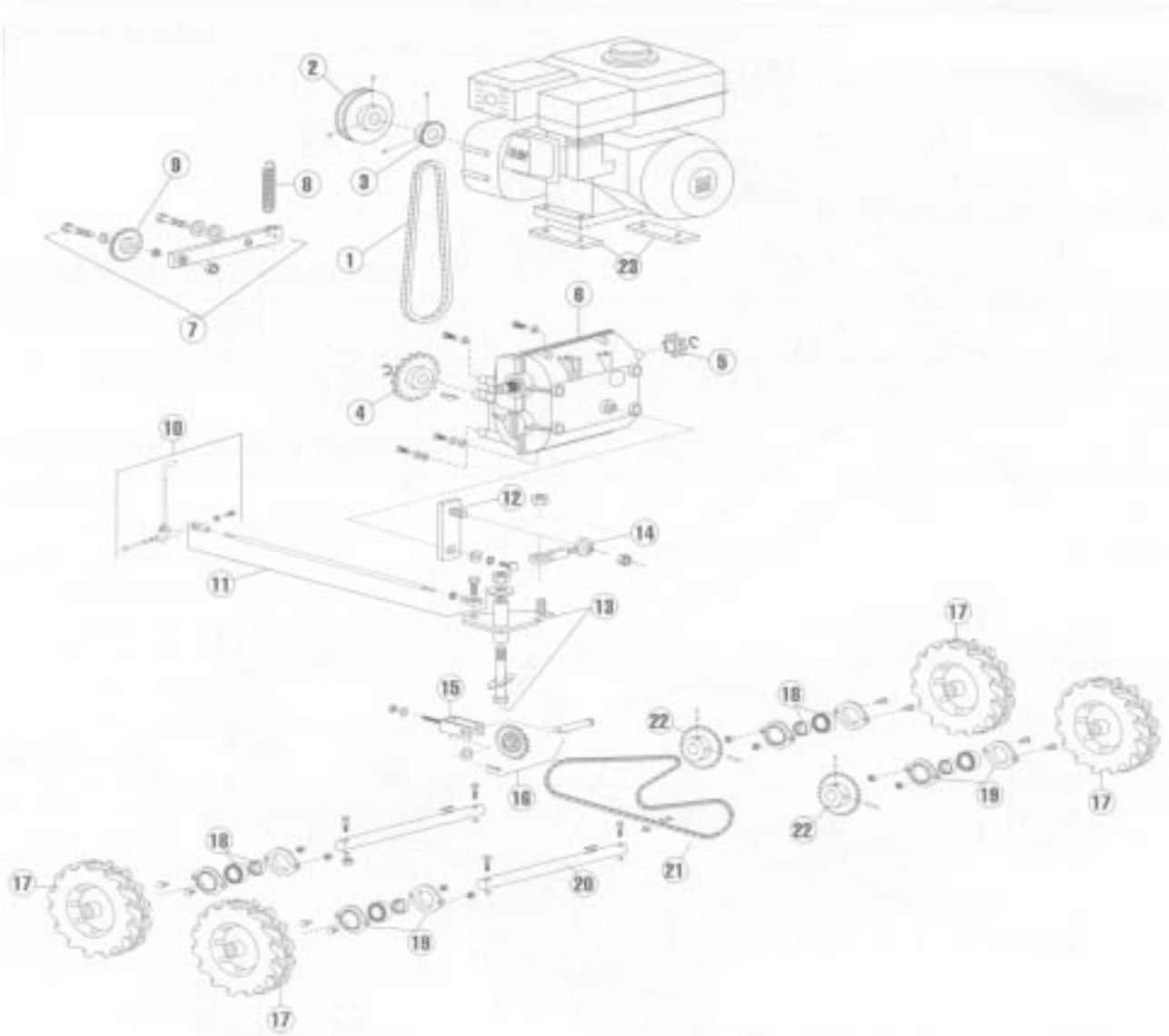
MAIN FRAME ASSEMBLY



MAIN FRAME ASSEMBLY

ITEM	PART NO.	DESCRIPTION
1	540007191	Grips pair
2	540003142	Handle kit, complete with grips and hardware
3	540007149	Clutch/throttle control kit, with grips and hardware
4	540003139	Cable, throttle cable kit (less item 16)
5	540003140	Pins, depth handle with clip
6	540003141	Blade engagement lever
7	540003143	Bumpers, handle (complete)
8	540003145	Stand off kit
9	54000XXXX	Decal kit, SC18
10	540003155	Shield cover kit, upper housing with hardware
11	540003154	Weight weldment with hardware
12	540003159	Skid pan, complete w/brackets and mounting hardware, deflector
13	540003144	Handle attachment hardware kit complete
14	540003161	Throttle cable, carb
15	540003162	Deflector with "S" links
16	540003173	Spring

POWER TRAIN ASSEMBLY



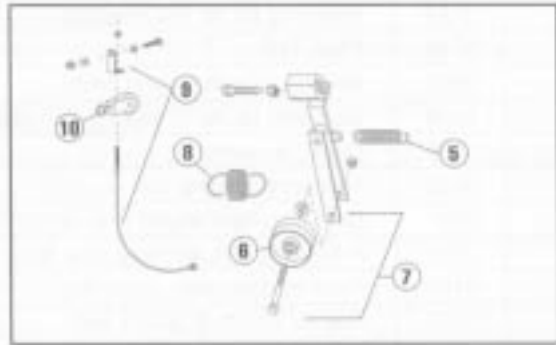
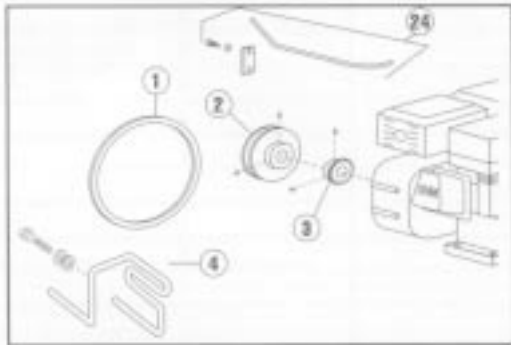
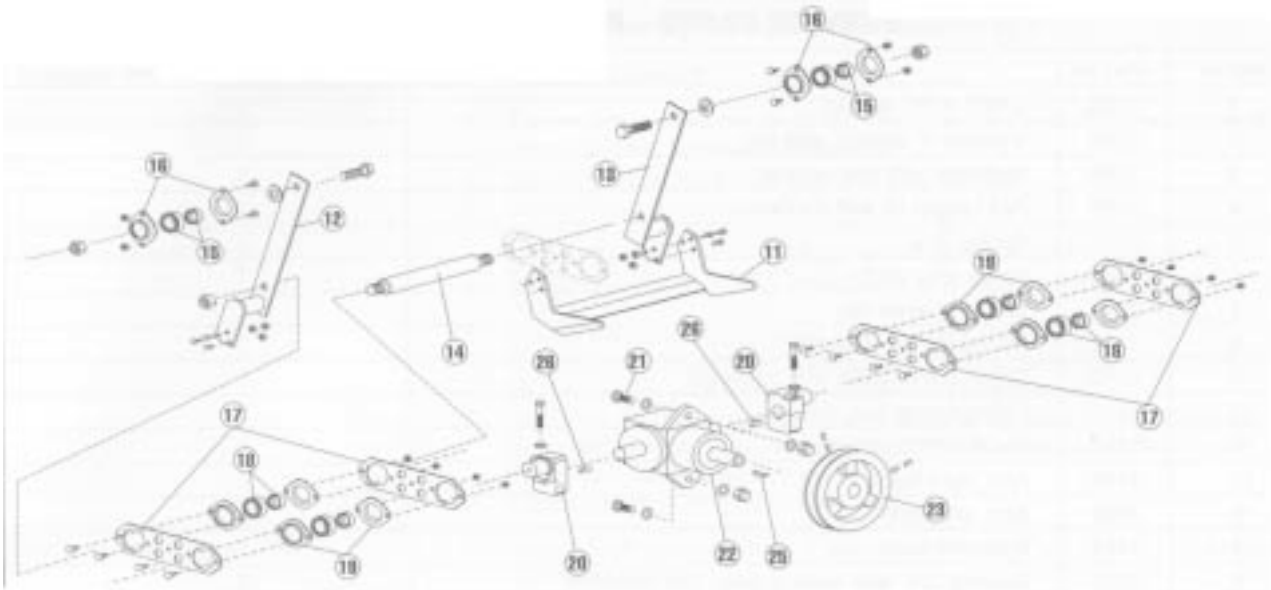
POWER TRAIN ASSEMBLY

ITEM	PART NO.	DESCRIPTION
1	540003107	Chain, transmission 26 5/8" length
2	540003108	V-pulley 4" special, with key
3	540003109	Sprocket with key
4	540003148	Sprocket with key and ring
5	540003149	Sprocket, transmission, 8 tooth
6	540003150	Transmission with hardware
7	540003171	Chain idler arm assembly
8	540007195	Spring, 3 3/4"
9	540003127	Sprocket, idler arm
10	540003146	Lever, shift kit
11	540003147	Linkage, shift
12	540003135	Arm, transmission shift with hardware
13	540003136	Bell crank shift kit
14	540003137	Rod end, linkage bell crank
15	540003133	Tensioner assembly, drive train
16	540003134	Sprocket, drive train tensioner
17	540003123	Wheel, 10" with hardware
18	540000317	Bearing, 1" with locking collar
19	540005786	Stamping kit, with fasteners (1" bearing)
20	540003153	Axle, wheel, with hardware
21	540003151	Chain, 55", drive
22	540000303	Sprocket, with key, rotor
23	540003170	Motor space plate kit with hardware

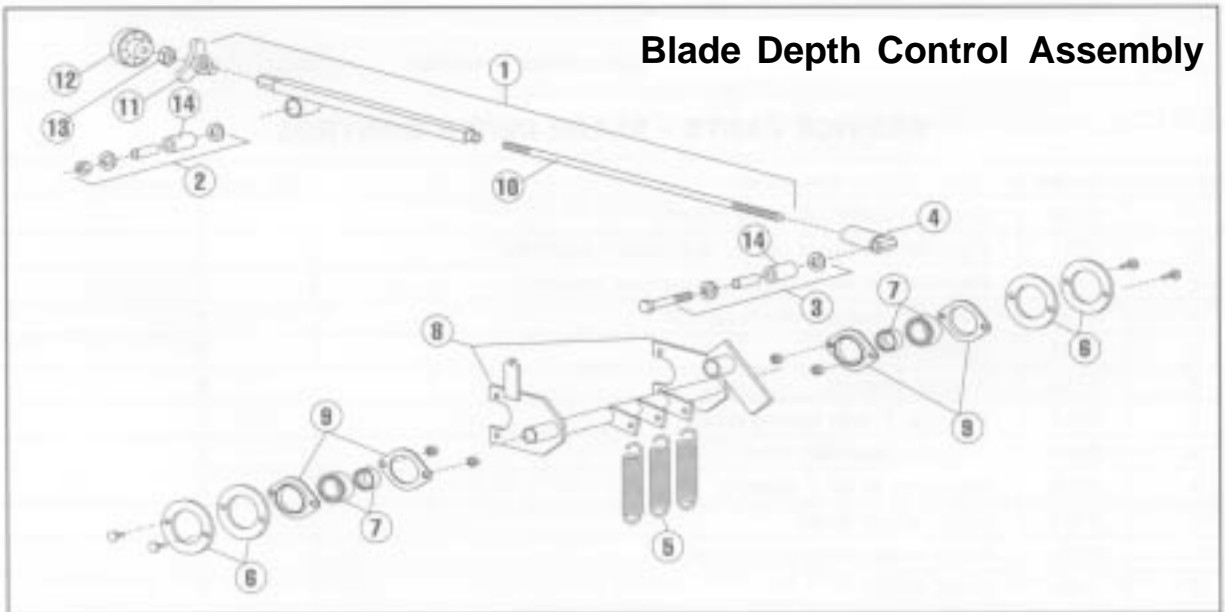
NOTE: Call the factory for a breakdown of the transmission. Item 6

BLADE DRIVE AND DEPTH CONTROL ASSEMBLY

Blade Drive Assembly



Blade Depth Control Assembly



BLADE DRIVE AND DEPTH CONTROL ASSEMBLY

Blade Drive Assembly

ITEM	PART NO.	DESCRIPTION
1	540003106	V-belt, A-26" special
2	540003108	V-pulley 4" special, with key
3	540003109	Sprocket with key, engine
4	540003166	Belt keeper kit with hardware
5	540007195	Spring , 3 3/4"
6	540000343	Pulley, idler 2 3/4"
7	540003111	Belt idler assembly
8	540003112	Spring, 4", blade/clutch
9	540003113	Cable, blade/clutch with hardware
10	540003114	Pulley, swivel eye, clutch
11	540003167	Blade with hardware
12	540003168	Arm, right blade
13	540003169	Arm, left blade
14	540003104	Rod with bolts
15	540000315	Bearing, 3/4" with locking collar with fasteners
16	540003122	Stamping kit, for 3/4" bearing
17	540003125	Plate, rod
18	540000317	Bearing, 1" with locking collar
19	540003124	Stamping kit, with fasteners (1" bearing)
20	540003129	Crank, eccentric kit
21	540003132	Hardware kit, gear box
22	540003131	Gear box, right angle "T" drive
23	540003130	Pulley 5 1/4" OD, with key, gear box
24	540003152	Tube, throttle cable, assembly
25	540003175	Key, #6 woodruff (5/32 x 5/8)
26	540003176	Key, #9 woodruff (3/16 x 3/4)

NOTE: Call factory for a breakdown of Gear Box Item 22

Blade Depth Control Assembly

ITEM	PART NO.	DESCRIPTION
1	540003100	Depth adjuster assembly control
2	540003101	Fastener kit, upper depth, adjustment assembly
3	540003102	Fastener kit, lower depth, adjustment assembly
4	540003105	Rod end, coupler, depth control
5	540003115	Spring, blade lift
6	540003116	Spacer, bearing
7	540000317	Bearing, 1" with locking collar
8	540003118	Trunnion assembly
9	540000318	Stamping kit for 1" bearing
10	540003163	Depth adjust screw
11	540003164	Knob, three prong (depth lock)
12	540003165	Knob, depth
13	540003174	Nut, hex, jam, 1/2-13
14	540003117	Bushing, polyurethane