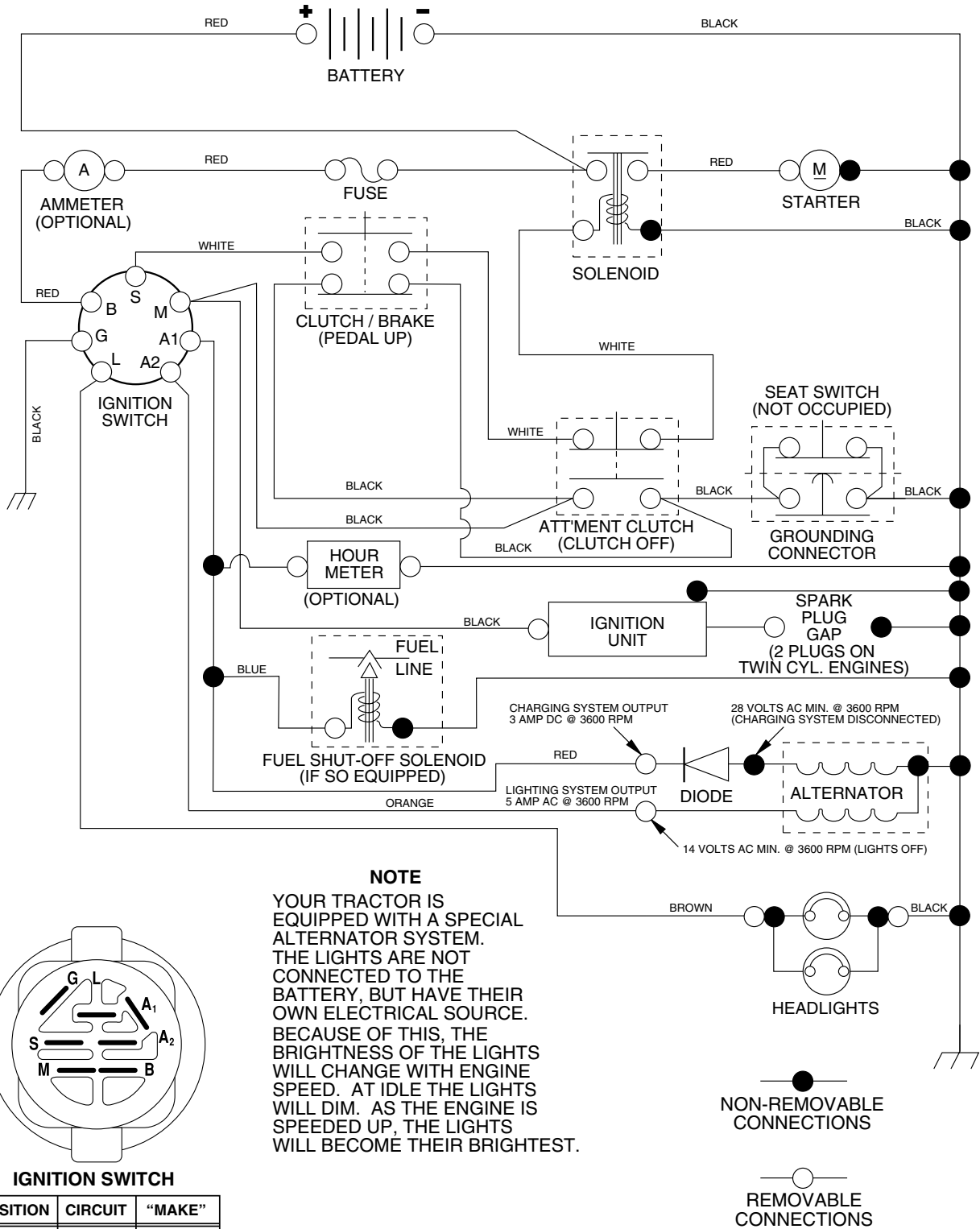


# LTH125

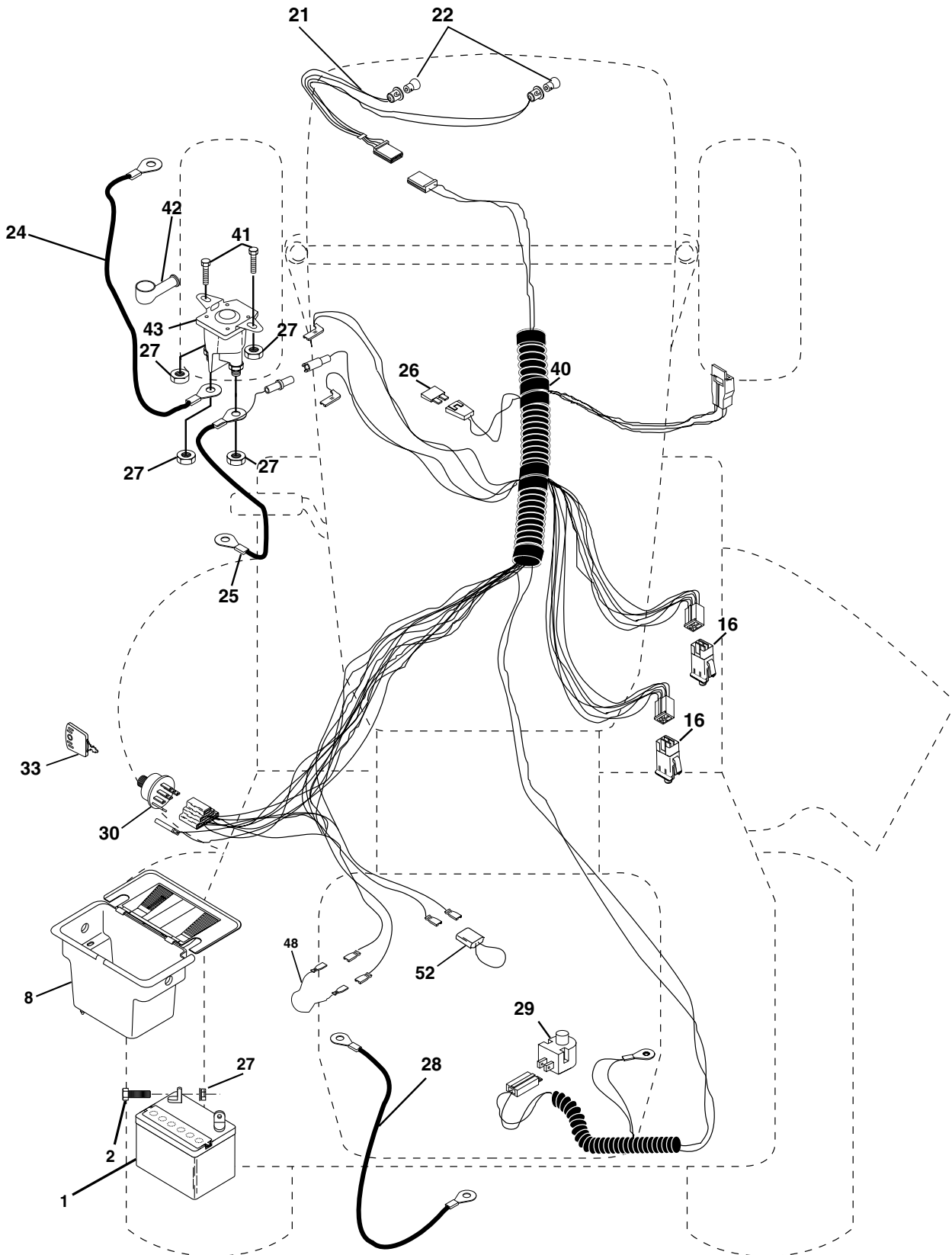
**Spare parts**  
**Ersatzteile**  
**Pièces détachées**  
**Reserve onderdelen**  
**Repuestos**  
**Reservdelar**

# TRACTOR - MODEL NO. LTH125 (HELTH125A), PRODUCT NO. 954 17 00-34 SCHEMATIC



# REPAIR PARTS

TRACTOR - MODEL NO. LTH125 (HELTH125A), PRODUCT NO. 954 17 00-34  
ELECTRICAL



# REPAIR PARTS

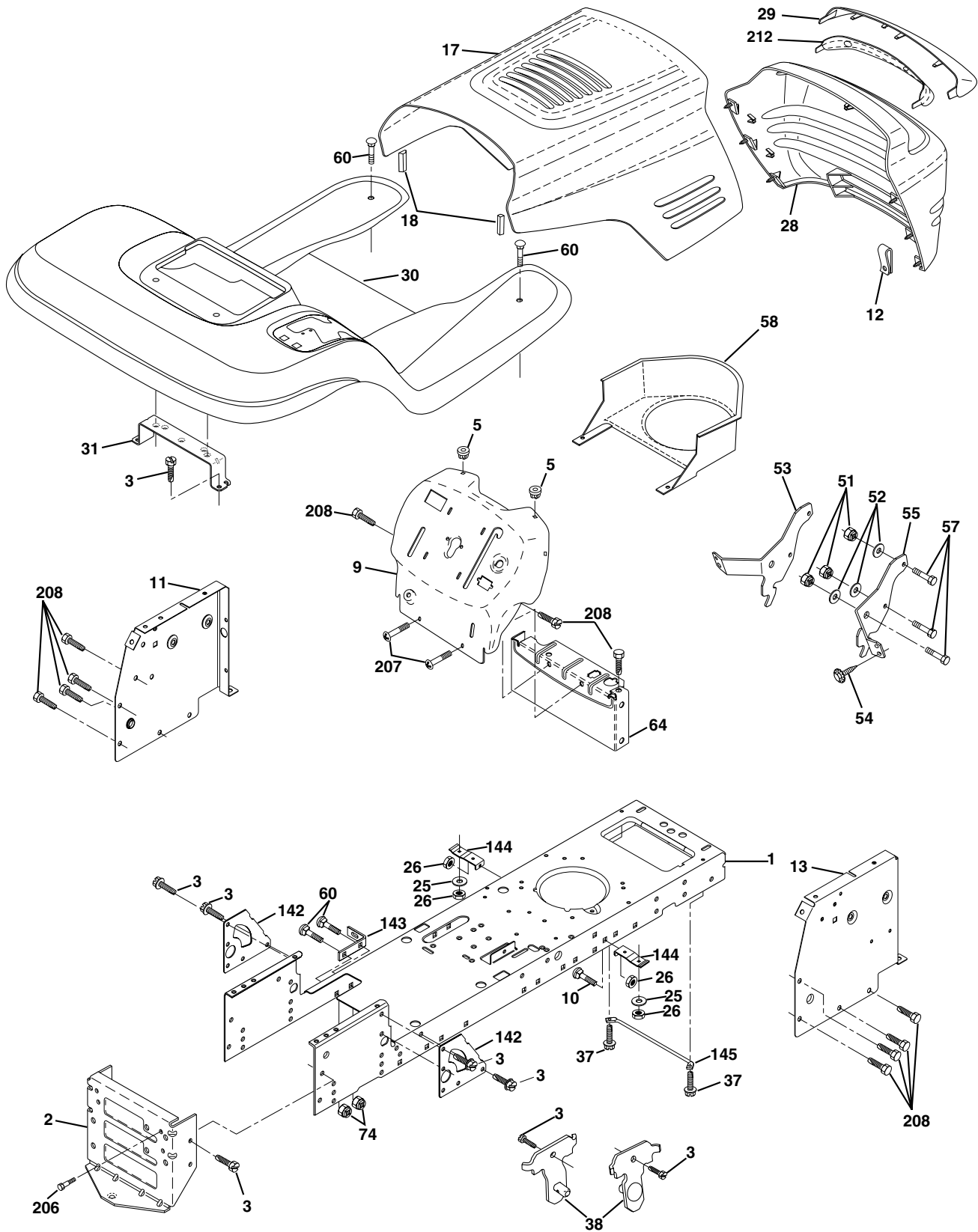
TRACTOR - MODEL NO. LTH125 (HELTH125A), PRODUCT NO. 954 17 00-34  
ELECTRICAL

KEY NO.	PART NO.	DESCRIPTION
1	532144925	Battery 12 Volt 25 AMP
2	874760412	Bolt Hex Hd 1/4-20unc X 3/4
8	532156417	Case Battery Mech Hinge
16	532153664	Switch Interlock Push-In
21	532166181	Harness Asm Light W/4152j
22	532004152	Bulb Light #1156
24	532124780	Cable Battery 6 Ga 11" red
25	532146147	Cable Battery 6 Ga 44" red w/16 wire
26	532175158	Fuse 20 AMP
27	873510400	Nut Keps Hex 1/4-20 Unc
28	532124773	Cable Ground 6 Ga 12" black
29	532121305	Switch Plunger Nc Gray
30	532175566	Switch Ign
33	532140401	Key Ign Molded Generic
40	532170217	Harness Ign.
41	871110408	Bolt Blk Fin Hex 1/4 - 20 x 1/2
42	532131563	Cover Terminal Red
43	532175141	Solenoid
48	532140844	Adapter Ammeter Rectangular
52	532141940	Protection Wire Loop

**NOTE:** All component dimensions given in U.S. inches.  
1 inch = 25.4 mm.

# REPAIR PARTS

TRACTOR - MODEL NO. LTH125 (HELTH125A), PRODUCT NO. 954 17 00-34  
CHASSIS AND ENCLOSURES



# REPAIR PARTS

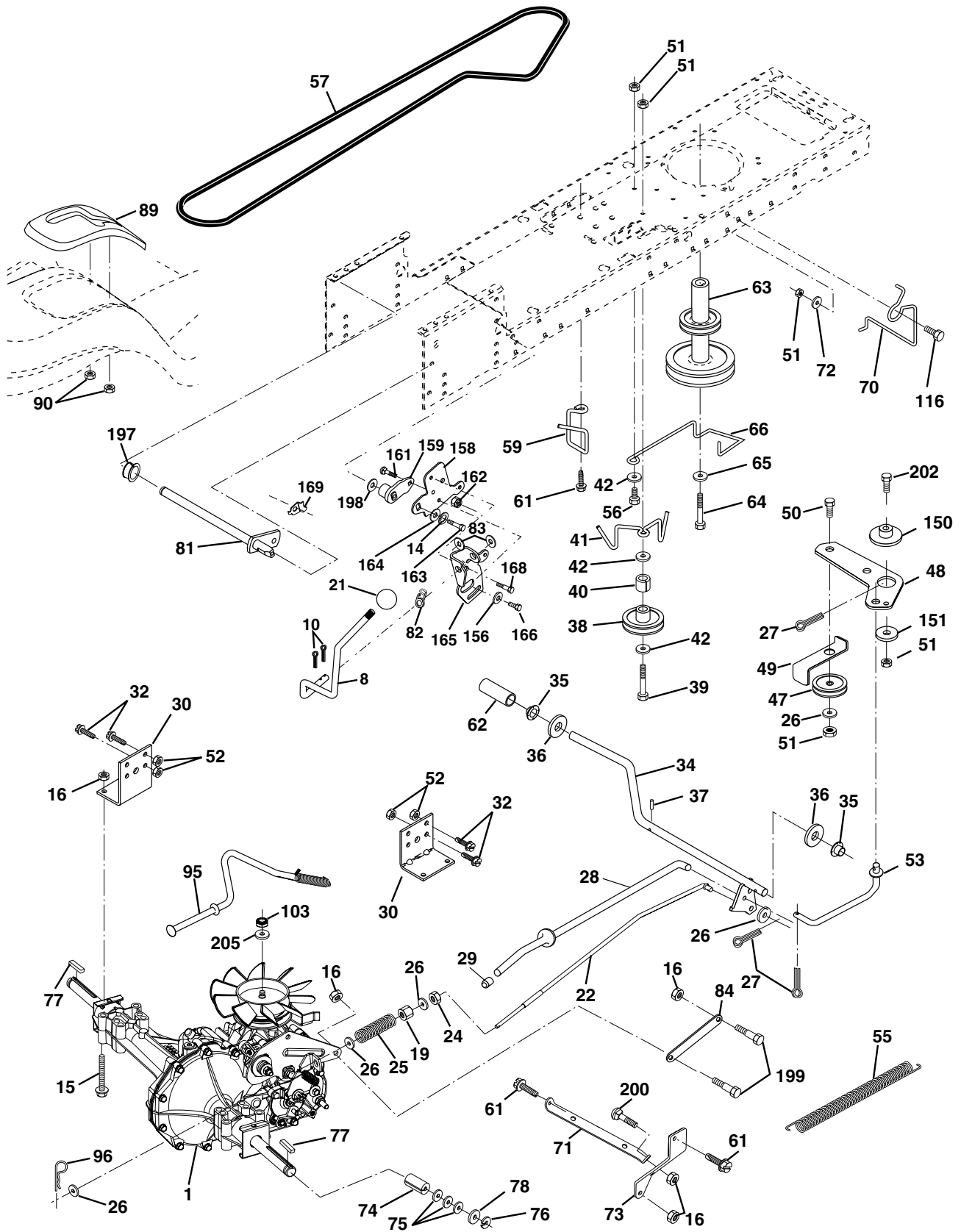
## TRACTOR - MODEL NO. LTH125 (HELTH125A), PRODUCT NO. 954 17 00-34 CHASSIS AND ENCLOSURES

KEY NO.	PART NO.	DESCRIPTION
1	532169830	Chassis Stamping
2	532169061	Drawbar
3	817060612	Screw 3/8-16x3/4
5	532155272	Bumper Hood/Dash
9	532171853	Dash P/L
10	872140608	Bolt Carriage 3/8-16 x 1
11	532155927	Panel Dash Lh
12	532145660	Clip Tinnerman
13	532173025	Panel Dash Rh
17	532162237	Hood LT/PL Husqvarna
18	532126938	Bumper Hood
25	819131312	Washer 13/32 X 13/16 X 12 Ga
26	873800600	Nut Lock Hex W/Ins 3/8-16 Unc
28	532176644	Grille LT/PL
29	532176645	Lens LT/PL
30	532171854	Fender Footrest STLT Pnt
31	532139976	Bracket Support Fender
37	817490508	Screw Thdrol 6/16-18 x 1/2 TYT
38	532169834	Bracket, Asm. Pivot, Mower Rear
51	873800400	Nut Lock Hex W/Ins 1/4-20
52	819091416	Washer 9/32 x 7/8 x 16 Ga.
53	532144697	Bracket Grille LH
54	532161464	Screw Hex Wshd 8-18 x 7/8
55	532144696	Bracket Grille RH
57	874780412	Bolt Hex 1/4-20 x 3/4
58	532150127	Air Duct Engine P/L
60	872140606	Bolt Rdhd Sqnk 3/8-16unc x 3/4
64	532154798	Dash Lower STLT
74	873680600	Nut Crownlock 3/8-16 UNC
142	532165867	Plate Reinforcement STLT
143	532154966	Bracket Swaybar Chassis
144	532154207	Bracket Pnt Footrest STLT
145	532156524	Rod Pivot Chassis/Hood
206	532170165	Bolt Shoulder 5/16-18 TT
207	817670508	Screw Thdrol 5/16-18 x 1/2
208	817670608	Screw Thdrol 3/8-16 x 1/2
212	532156229	Insert Lens Reflect
--	532005479	Plug Button

**NOTE:** All component dimensions given in U.S. inches  
1 inch = 25.4 mm

# REPAIR PARTS

TRACTOR - MODEL NO. LTH125 (HELTH125A), PRODUCT NO. 954 17 00-34  
DRIVE



# REPAIR PARTS

**TRACTOR - MODEL NO. LTH125 (HELTH125A), PRODUCT NO. 954 17 00-34  
DRIVE**

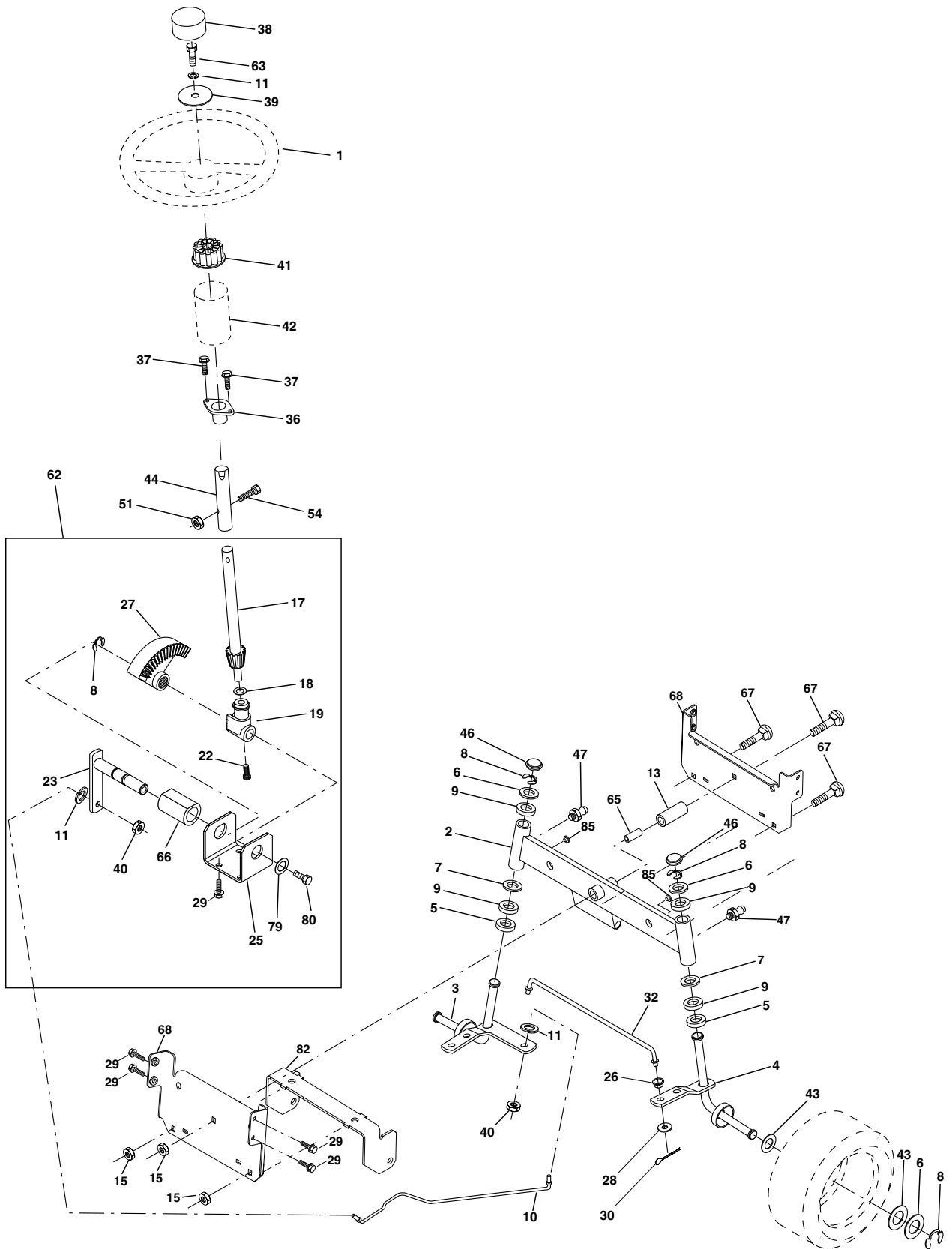
KEY PART NO. NO.	DESCRIPTION	KEY PART NO. NO.	DESCRIPTION
1	----- Transaxle Hydro Gr 314-0510 (Order parts from transaxle manufacturer)	66	532154778 Keeper Belt Engine
8	532165866 Rod Shift Fender STLT	70	532134683 Guide Belt Mower Drive RH
10	876020416 Pin Cotter 1/8 x 1 CAD	71	532169183 Strap Torque Lh Hydro
14	810040400 Washer Lock Hvy Helical 1/4	72	819132012 Washer 13/32 x 1-1/4 x 12 Ga.
15	874490544 Bolt Hex Flg Hd 5/16-18 X Gr.5	73	532169182 Strap Torque Rh Hydro
16	873800500 Nut Lock Hex W/Ins. 5/16-18 Unc P	74	532137057 Spacer, Axle
19	873800600 Nut Lock Hex W/Wsh 3/8-16 Unc	75	532121749 Washer 25/32 x 1-1/4 x 16 Gauge
21	532121274 Knob, Duckhead	76	812000001 E-Ring
22	532169498 Rod, Brake Hydro	77	532123583 Key, Square
24	873350600 Nut	78	532121748 Washer 25/32 x 1-5/8 x 16 Gauge
25	532106888 Spring, Brake Rod	81	532165596 Shaft Asm. Cross Hydro
26	819131316 Washer	82	532165711 Spring Torsion T/A
27	876020412 Pin Cotter 1/8 x 3/4 CAD.	83	819171216 Washer 17/32 x 3/4 x 16 Ga.
28	532145204 Rod, Parking Brake	84	532169843 Link Transaxle
29	532071673 Cap, Parking Brake	89	532176637 Console, Shift
30	532174973 Bracket, Transaxle	90	532124346 Nut Self-Thd wsh-Hd 1/4 Zinc
32	874760512 Bolt Hex Hd 5/16-18 Unc x 3/4	95	532170201 Control Asm Bypass Hydro
34	532155071 Shaft, Foot Pedal	96	532124788 Retainer Spring 1" Zinc/Cad
35	532120183 Bearing, Nylon	103	873940800 Nut Hex Jam Toplock 1/2-20 Unf
36	819211616 Washer	116	872110610 Boulon 3/8-16 x 1.25
37	532124963 Pin, Roll	150	532165850 Bushing Bellcrank Grd Drive
38	532131494 Pulley, Idler, Flat	151	819133210 Washer 13/32 x 2 x 10 Ga.
39	874760644 Bolt Fin Hex 3/8-16 Unc x 2-3/4	156	532166002 Washer Srrtd 5/16 ID x 1.0 x .125 Tk
40	532124965 Spacer, Split	158	532165589 Bracket Shift Mount
41	532165838 Keeper, Belt Idler	159	532165494 Hub Tapered Flange Shift LT
42	819131312 Washer 13/32 x 13/16 x 12 Gauge	161	872140406 Bolt Rdhd Sqnk 1/4-20 x 3/4 Gr. 5
47	532127783 Pulley, Idler, V-Groove	162	873680400 Nut Crownlock 1/4-20 Unc
48	532154407 Bellcrank Clutch Grnd Drv Stl	163	874780416 Bolt Hex Fin 1/4-20 unc x 1 Gr. 5
49	532123205 Retainer, Belt	164	819091010 Washer 5/8 x .281 x 10 Ga
50	874760624 Bolt Hex 3/8-16 Unc x 1-1/2	165	532165623 Bracket Pivot Lever
51	873680600 Nut Crownlock 3/8-16	166	532166880 Screw 5/16-18 x 5/8 TT Yellow
52	873680500 Nut Crownlock 5/16-18	168	532165492 Bolt Shoulder 5/16-18 x .561 TT
53	532105710 Link, Clutch	169	532165580 Plate Fastening Cross Shf. STLT/ CRD
55	532105709 Spring, Return, Clutch	197	532169613 Nyliner Snap-In 5/8" ID
56	874760620 Bolt Fin Hex 3/8-16 UNC x 1-1/4	198	532169593 Washer Nyl 7/8 ID x .105 HYD CRD
57	532140294 V-Belt, Ground Drive	199	532169612 Bolt Shoulder 5/16-18 Unc
59	532169691 Keeper, Center Span	200	872140508 Bolt Rdhd Sqnk 5/16-18 Unc x 1
61	817060612 Screw 3/8-16 x 3/4	202	872110612 Bolt Carr Sh 3/8-16 x 1-1/2 Gr. 5
62	532124872 Cover, Pedal	205	819171616 Washer 17/32 x 1 x 16 Ga.
63	532140186 Pulley, Clutch Eng		
64	871170764 Bolt Hex 7/16-20 x 4 Ga. 5		
65	810040700 Washer		

**NOTE:** All component dimensions given in U.S. inches  
1 inch = 25.4 mm



# REPAIR PARTS

## TRACTOR - MODEL NO. LTH125 (HELTH125A), PRODUCT NO. 954 17 00-34 STEERING ASSEMBLY



# REPAIR PARTS

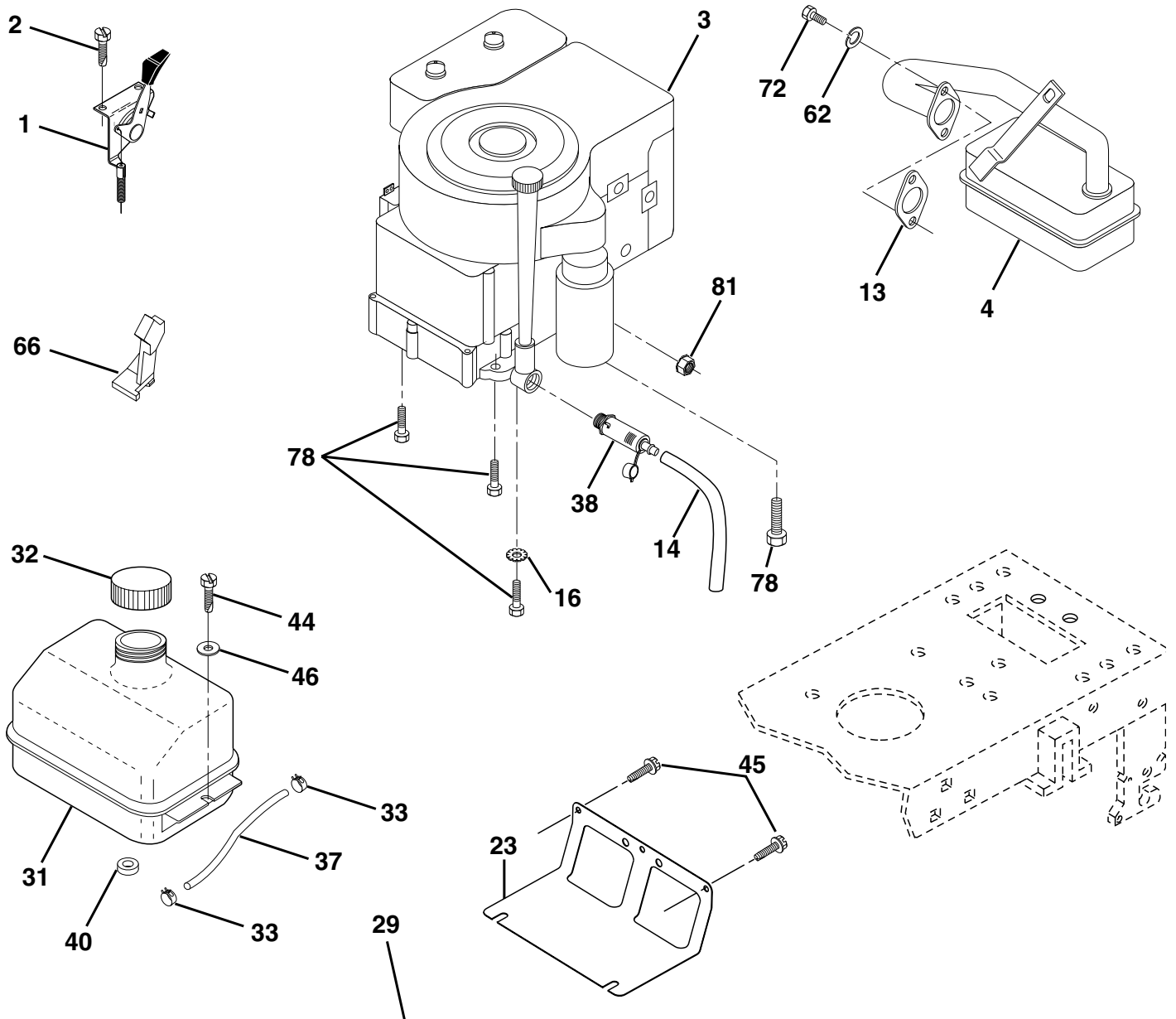
## TRACTOR - MODEL NO. LTH125 (HEALTH125A), PRODUCT NO. 954 17 00-34 STEERING ASSEMBLY

KEY NO.	PART NO.	DESCRIPTION
1	532124415	Wheel Steering
2	532154427	Axle Asm STMP Dropped STL
3	532169840	Spindle Asm LH
4	532169839	Spindle Asm RH
5	532124931	Bearing Race Thrust Harden
6	532121748	Washer 25/32 X 1-5/8 X 16 Ga
7	819272016	Washer 27/32 X 1-1/4 X 16 Ga
8	812000029	Ring Klip #t5304-75
9	532124937	Bearing Col Strg Blk
10	532169832	Link Drag
11	810040600	Washer Lock Hvy Hlcl Spr 3/8
13	532136518	Spacer Brg Axle Front
15	532145212	Nut Hex Flange Lock
17	532156546	Shaft Asm Strg
18	532057079	Washer Thrust 515x 750x 033
19	532160395	Support Shaft
22	532165857	Screw Hex
23	532165851	Shaft Asm Pittman
25	532154406	Bracket Steering
26	532126847	Bushing Link Drag Blk LR
27	532136874	Gear Sector
28	819131416	Washer 13/32 X 7/8 X 16 Ga
29	817060612	Screw 3/8-16x3/4
30	876020412	Pin Cotter 1/8 X 3/4 Cad
32	532130465	Rod Tie Wire Form 19 75 Mech
36	532155099	Bushing Strg
37	532152927	Screw
38	532124416	Insert Cap Strg Wh
39	819133812	Washer 13/32 X 2-3/8 x 12
40	532124701	Lock nut
41	532100711	Adaptor Wheel Strg
42	532169634	Boot Steering Shaft
43	532121749	Washer 25/32 X 1 1/4 X 16 Ga
44	532153720	Extension Steering Shaft LR/LT
46	532121232	Cap Spindle Fr Top Blk
47	532124836	Fitting Grease
51	873800500	Nut Lock Hex w/Ins 5/16-18
54	874780520	Bolt Fin Hex 5/16-18 Unc x 1-1/4
62	532167902	Kit, Steering Assembly Svc
63	874780616	Bolt Fin Hex 3/8-16unc x 1 Gr. 5
65	532160367	Spacer Brace Axle
66	532154404	Bearing Arm Pittman
67	872110618	Bolt, Rdhd Sqnk 3/8-16 x 2-1/4
68	532169827	Axle, Brace
79	819132012	Washer 13/32 x 1-1/4 x 12 Ga
80	874950612	Bolt Hex Nylon 3/8-16 x 3/4
82	532169835	Bracket Susp Chassis Front
85	532133835	Fastener Christmas Tree

**NOTE:** All component dimensions given in U.S. inches.  
1 inch = 25.4 mm.

# REPAIR PARTS

TRACTOR - MODEL NO. LTH125 (HELTH125A), PRODUCT NO. 954 17 00-34  
ENGINE



**OPTIONAL EQUIPMENT**  
**Spark Arrester**

# REPAIR PARTS

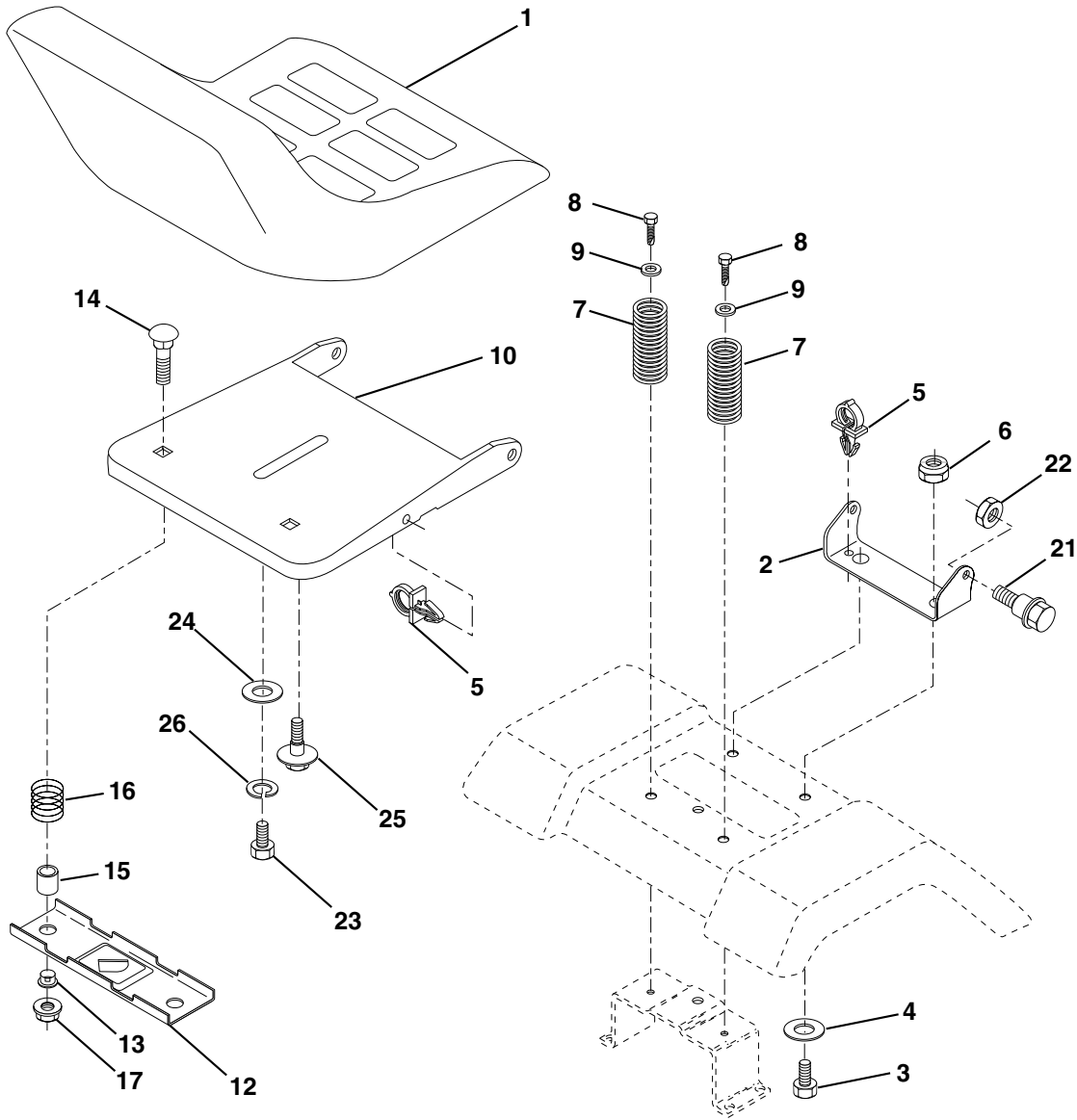
TRACTOR - MODEL NO. LTH125 (HELTH125A), PRODUCT NO. 954 17 00-34  
ENGINE

KEY NO.	PART NO.	DESCRIPTION
1	532170865	Control Th/ch Flag
2	817720410	Screw Hex Thd Cut 1/4-20x5/8 T
3	-----	Engine B&S Model No. 289707 (Order Parts From Engine Manufacturer)
4	532137348	Muffler LT B&S 12/12.5/13HP
13	532165291	Gasket Eng 1 313 Id Tin Plated
14	532148456	Tube Drain Oil Easy
16	811050600	Washer Lock Ext Tooth 3/8
23	532169837	Shield Brn/Dbr Guard
29	532137180	Kit Spark Arrestor (Flat Scrn)
31	532109202	Tank Fuel Front
32	532140527	Cap Asm Fuel W/sym Vented
33	532123487	Clamp Hose Black
37	532137040	Line Fuel 20"
38	532148315	Plug Drain Oil Easy
40	532124028	Bushing Snap Nyl Blk Fuel Line
44	817490412	Screw Hexwsh Thdrol 1/4-20x3/4
45	817000612	Screw Hex Wsh Thdrol 3/8-16 x 3/4
46	819091416	Washer 9/32 X 7/8 X 16 Ga
62	810040500	Washer Lock Hvy Hlcl Spr 5/16
66	532127951	Stop Throttle 3000 RPM
72	871070512	Screw Hexhd Cap 5/16-18 x 3/4
78	817060620	Screw 3/8-16x1-1/4
81	873510400	Nut 1/4-20

**NOTE:** All component dimensions given in U.S. inches  
1 inch = 25.4 mm

# REPAIR PARTS

TRACTOR - MODEL NO. LTH125 (HELTH125A), PRODUCT NO. 954 17 00-34  
SEAT ASSEMBLY



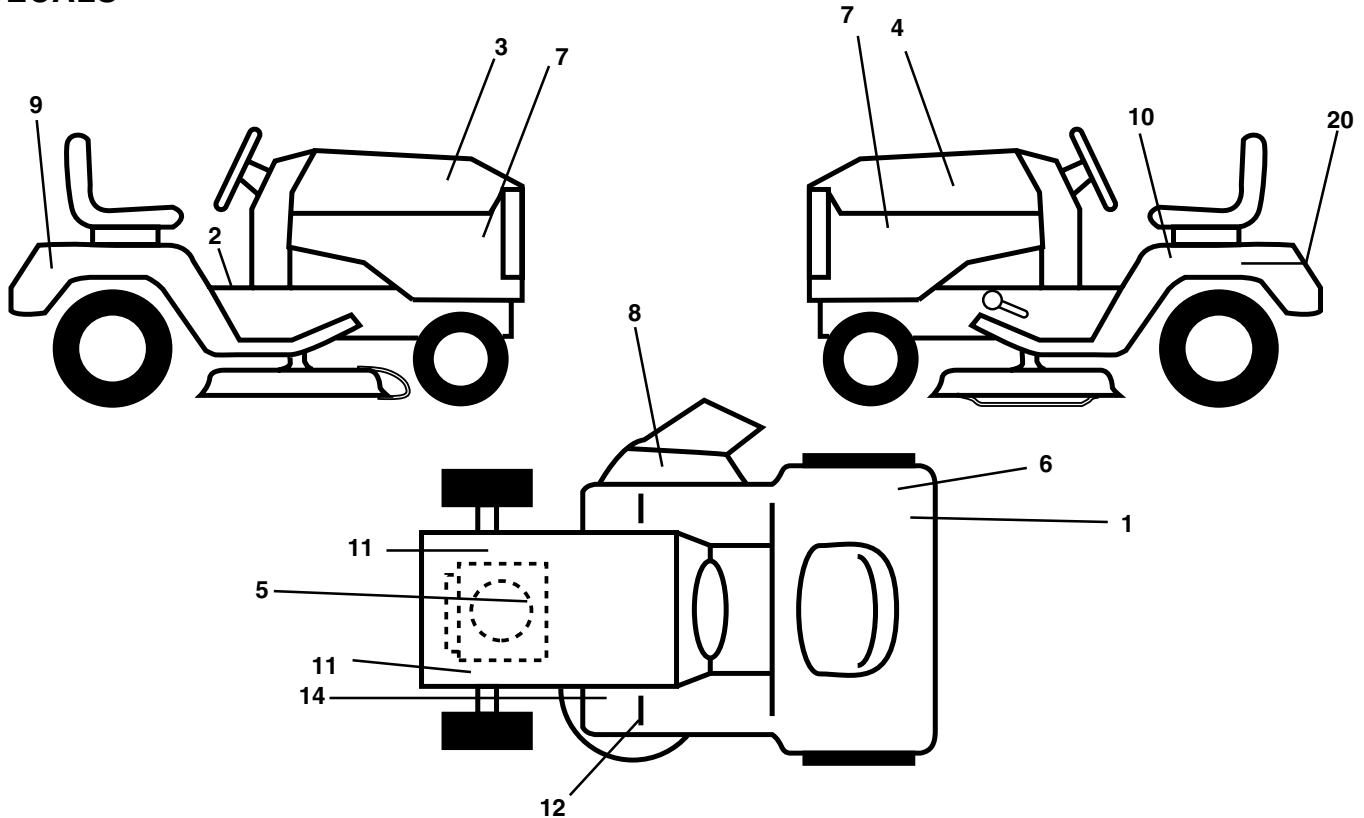
KEY NO.	PART NO.	DESCRIPTION
1	532140838	Seat
2	532140551	Bracket Pivot Seat 8 720
3	871110616	Bolt Fin Hex 3/8-16unc X 1
4	819131610	Washer 13/32 X 1 X 10 Ga
5	532145006	Clip Push-In
6	873800600	Nut Hex w/Ins. 3/8-16 Unc
7	532124181	Spring Seat Cprsn 2 250 Blk Zi
8	817000616	Screw 3/8-16 X 1-1/2
9	819131614	Washer 13/32 X 1 X 14 Ga.
10	532174894	Pan Seat
12	532121246	Bracket Mounting Switch
13	532121248	Bushing Snap Blk Nyl 50 Id

KEY NO.	PART NO.	DESCRIPTION
14	872050412	Bolt Rdhd Sqnk 1/4-20 x1-1/2
15	532134300	Spacer Split 28x 96 Yel Zinc
16	532121250	Spring Cprsn 1 27 Blk Pnt
17	532123976	Nut Lock 1/4 Lge Flg Gr 5 Zinc
21	532171852	Bolt Shoulder 5/16-18 Unc
22	873800500	Nut Hex Lock W/Ins 5/16-18
23	871110814	Bolt Hex
24	819171912	Washer 17/32 x 1-3/16 x 12 Ga.
25	532127018	Bolt Shoulder 5/16-18 X 62
26	810040800	Washer Lock Hvy HLCL SPR 1/2

**NOTE:** All component dimensions given in U.S. inches.  
1 inch = 25.4 mm

# REPAIR PARTS

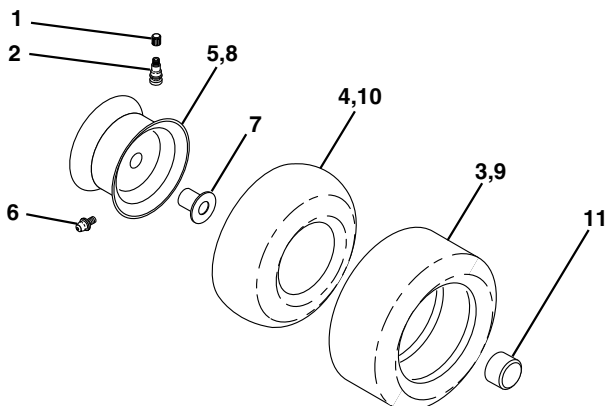
TRACTOR - MODEL NO. LTH125 (HELTH125A), PRODUCT NO. 954 17 00-34  
DECALS



KEY NO.	PART NO.	DESCRIPTION
1	532126187	Decal 100 DBA
2	532140837	Decal Saddle Brake Parking
3	532175852	Decal Hood RH
4	532175853	Decal Hood LH
5	532175839	Decal HP Engine
6	532145437	Decal Europe Stand CE
7	532159713	Decal Pnl Side
8	532145494	Decal Mower Cutfinger
9	532150617	Decal Fender Husq
10	532145498	Decal Read Owner's Manual Syms.

KEY NO.	PART NO.	DESCRIPTION
11	532159736	Decal Chassis Hot Muffler
12	532159737	Decal Brake/ Clutch Symbol Lt
14	532136832	Decal V-Belt Schematic
20	532145005	Decal Bat Dan/Psn
--	532171284	Pad Footrest LH STLT
--	532162598	Decal Drawbar
--	532171285	Pad Footrest RH STLT
--	532138311	Decal Handle Lift Height Adjust
--	532169210	Decal Bypass Lt Hydro
--	532176282	Manual Operator's (Euro.)
--	532176283	Manual Operator's (Scan.)

## WHEELS & TIRES

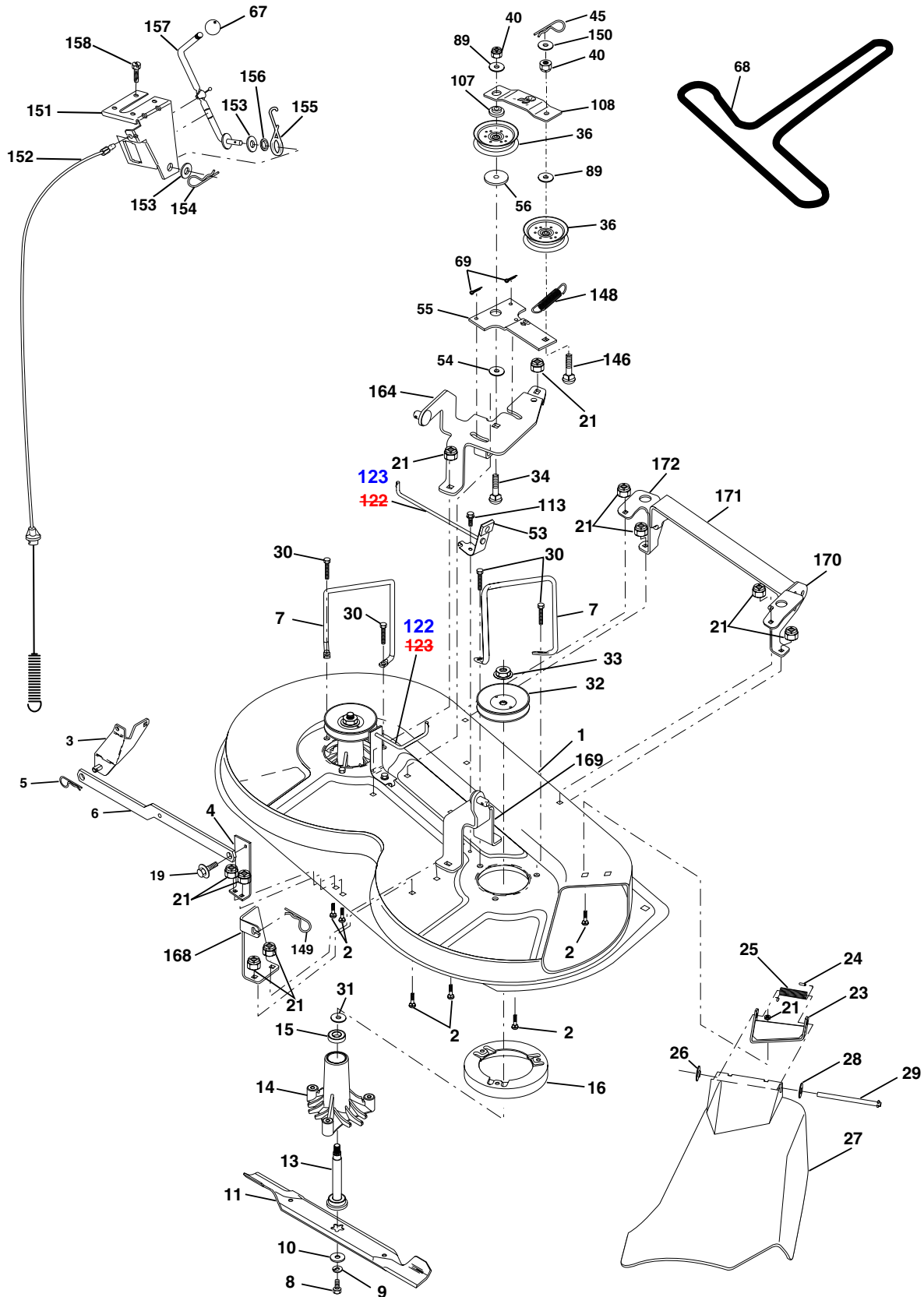


KEY NO.	PART NO.	DESCRIPTION
1	532059192	Cap Valve Tire
2	532065139	Stem Valve
3	532106222	Tire F Ts 15 X 6 0 - 6 Service
4	532059904	Tube Front (Service Item Only)
5	532138336	Rim Asm 6"front Silver Service
6	532124957	Fitting Grease (Front Wheel Only)
7	532124959	Bearing Flange (Front Wheel Only)
8	532138337	Rim Asm 8"rear Silver Service
9	532124635	Tire R Ts 18x9 5-8 C Service
10	532124926	Tube Rear (Service Item Only)
11	532175039	Cap Axle Blk 1 50 X 1 00
--	532144334	Sealant, Tire ( 10 oz. Tube)

**NOTE:** All component dimensions given in U.S. inches  
1 inch = 25.4 mm

# REPAIR PARTS

TRACTOR - MODEL NO. LTH125 (HELTH125A), PRODUCT NO. 954 17 00-34  
MOWER DECK



# REPAIR PARTS

**TRACTOR - MODEL NO. LTH125 (HELTH125A), PRODUCT NO. 954 17 00-34**  
**MOWER DECK**

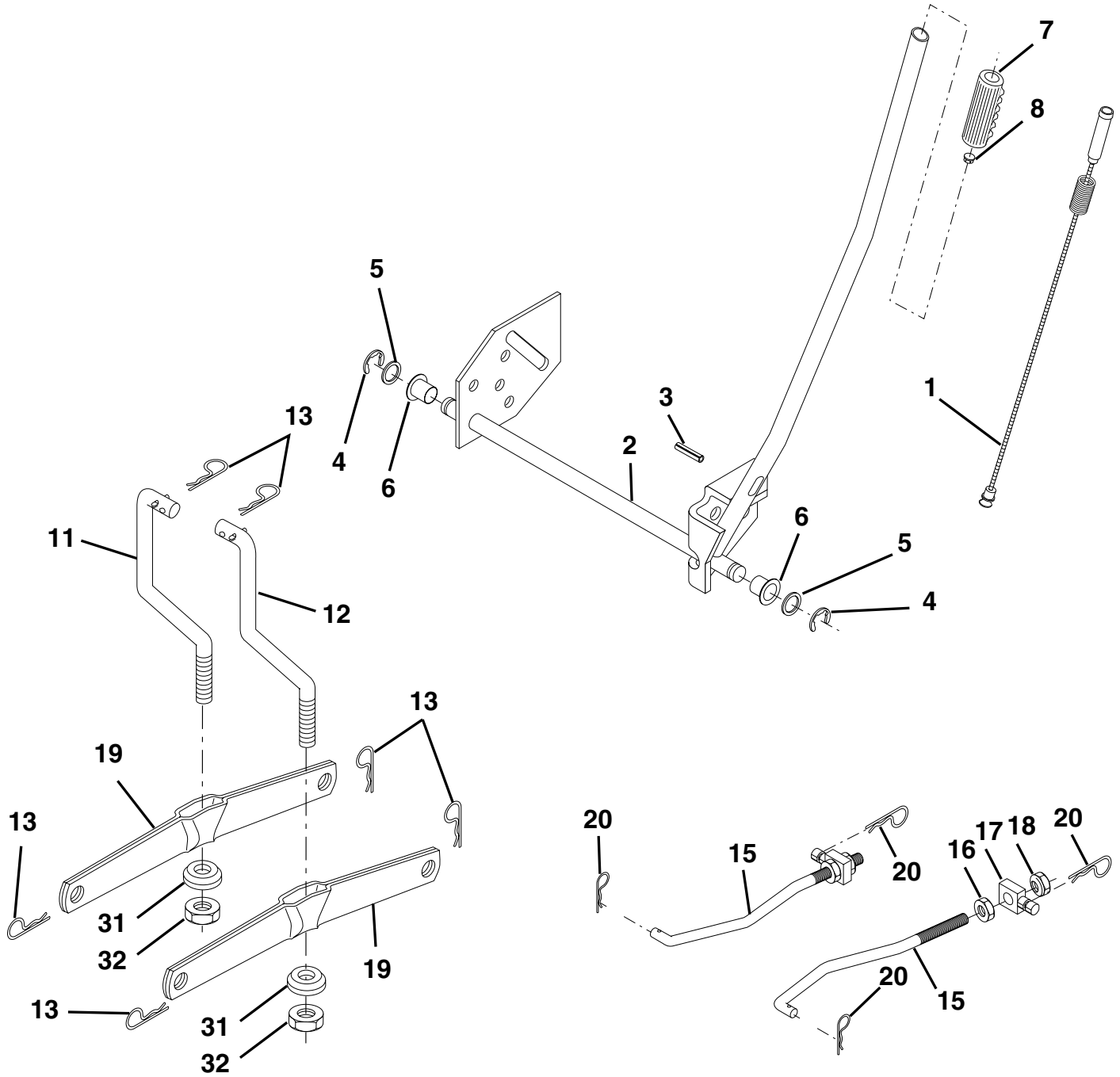
KEY NO.	PART NO.	DESCRIPTION	KEY NO.	PART NO.	DESCRIPTION
1	532174595	Mower Deck Assembly	67	532106932	Knob RD 3/8-16 Plstc Thd
2	872140506	Bolt	68	532174978	Belt
3	532138017	Bracket Assembly, Sway Bar	69	876020312	Pin, Cotter 3/32 x 3/4
4	532175654	Bracket Sway Bar	89	819131612	Washer 13/32 x 1 x 12 Ga
5	532124670	Retainer Spring	92	873800600	Nut Lock Hex w/Ins 3/8-16 Unc
6	532130832	Arm, Suspension, Rear	107	532133502	Spacer, Retainer
7	532140608	Keeper Belt	108	532133503	Stiffener, Idler Arm
8	532850857	Bolt, Hex 3/8-24 x 1.25 Gr. 8	113	817490508	Screw Thdrol 5/16-18 x 1/2
9	810030600	Washer, Lock Hvy Hlcl 3/8	122	532174505	Rod, Brake, LH
10	532140296	Washer, Hardened	123	532174504	Rod, Brake, RH
11	532138496	Blade, Mower	129	819131312	Washer 13/32 x 13/16 x 12 Ga.
13	532137645	Shaft Assembly, Mandrel, Vented (Includes Key #12)	130	874780616	Bolt Fin Hex 3/8-16 Unc x 1 Gr. 5
14	532128774	Housing, Mandrel, Vented	131	872140608	Bolt Rdhd Sqnk 3/8-16 Unfc x 1
15	532110485	Bearing, Ball, Mandrel	146	532165891	Bolt Carriage Idler
16	532140329	Stripper, Vented Mower Deck	148	532169022	Spring Return Idler
19	532132827	Bolt, Shoulder	149	532165898	Retainer Spring Yellow Zinc
21	873680500	Nut Crownlock 5/16-18	150	819091216	Washer 9/32 x 3/4 x 16 Ga.
23	532136631	Bracket, Mower Deflector	151	532169670	Bracket Clutch
24	532105304	Cap, Sleeve	152	532176079	Cable Clutch
25	532123713	Spring, Torsion, Deflector	153	532169674	Washer Flat 3/8" Type B
26	532110452	Nut, Push	154	532169675	Spring Retainer
27	532176162	Shield, Deflector	155	532169671	Spring Retention Lever
28	819111016	Washer 11/32 x 5/8 x 16 Ga.	156	532169672	Spacer
29	532121980	Rod, Hinge	157	532169669	Rod Clutch
30	532157722	Screw Thdrol Washer Head	158	817720410	Screw Hex Thd Cut 1/4-20x5/8
31	532129963	Washer, Spacer	164	532174976	Bracket Asm Idler Support
32	532153531	Pulley, Mandrel	168	532172377	Bracket Deck Cable
33	532137266	Nut, Toplock, Flanged	169	532174977	Bracket Asm Suspension
34	872110614	Bolt Rdhd 3/8-16 x 1-3/4	170	532172359	Bracket Suspension RF
36	532131494	Pulley, Idler, Flat	171	532165237	Bracket Support Susp. Frt
40	873680600	Nut Crownlock 3/8-16	172	532172355	Bracket Suspension LF
45	532124788	Retainer, Spring	--	532130794	Mandrel Assembly (Includes Key Numbers 12-15, 17-19, 31 and 33)
53	532130840	Brake Assembly	--	532175254	Mower Deck, Complete
54	532133943	Washer, Hardened			
55	532133840	Idler Arm Assembly			
56	532165723	Spacer, Retainer			

**NOTE:** All component dimensions given in U.S. inches  
1 inch = 25.4 mm



# REPAIR PARTS

TRACTOR - MODEL NO. LTH125 (HELTH125A), PRODUCT NO. 954 17 00-34  
MOWER LIFT



# REPAIR PARTS

TRACTOR - MODEL NO. LTH125 (HELTH125A), PRODUCT NO. 954 17 00-34  
MOWER LIFT

KEY NO.	PART NO.	DESCRIPTION
1	532159460	Wire Asm Inner/Spring W/plunger
2	532159471	Shaft Asm Lift
3	532105767	Pin Groove
4	812000002	E Ring #5133-62
5	819211621	Washer PLTD 21/32 X 1 X 21ga
6	532120183	Bearing Nylon Blk 629 Id
7	532109413	Grip Handle Bicycle
8	532124526	Button Plunger Black
11	532139865	Link Lift LH
12	532139866	Link Lift RH
13	532124670	Retainer Spring
15	532173288	Link Front
16	873350800	Nut Jam Hex 1/2-13 Unc
17	532130171	Trunnion Blk Zinc
18	873800800	Nut Lock W/wsh 1/2-13unc
19	532139868	Arm Suspension Rear
20	532163552	Spring, Retainer
31	532169865	Bearing Pvt. Lift
32	873540600	Nut Crownlock 3/8-24

**NOTE:** All component dimensions given in U.S. inches  
1 inch = 25.4 mm