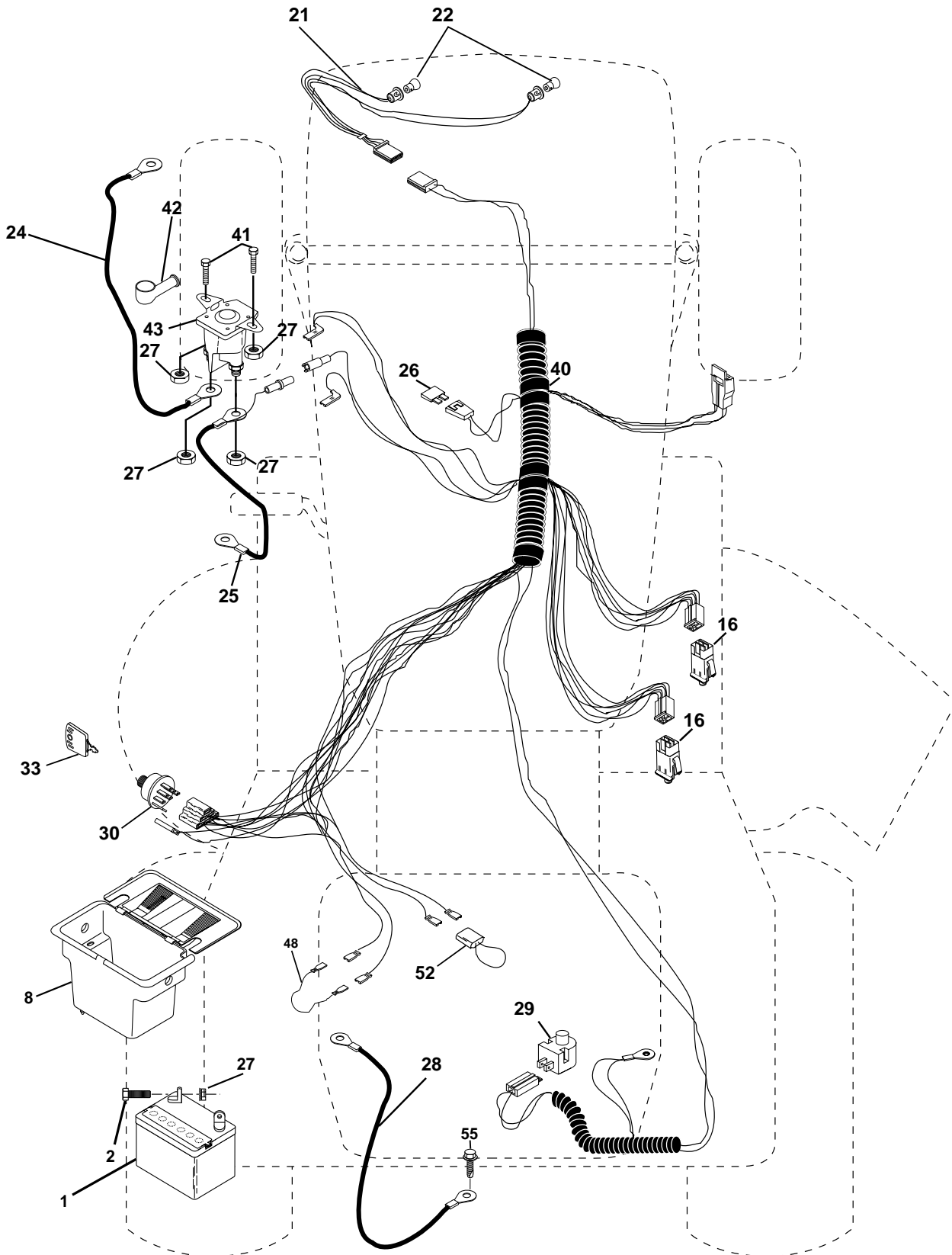


LT125

Spare parts
Ersatzteile
Pièces détachées
Reserve onderdelen
Repuestos
Reservdelar

REPAIR PARTS

TRACTOR - MODEL NO. LT125 (HELT125A), PRODUCT NO. 954 17 00-33
ELECTRICAL



REPAIR PARTS

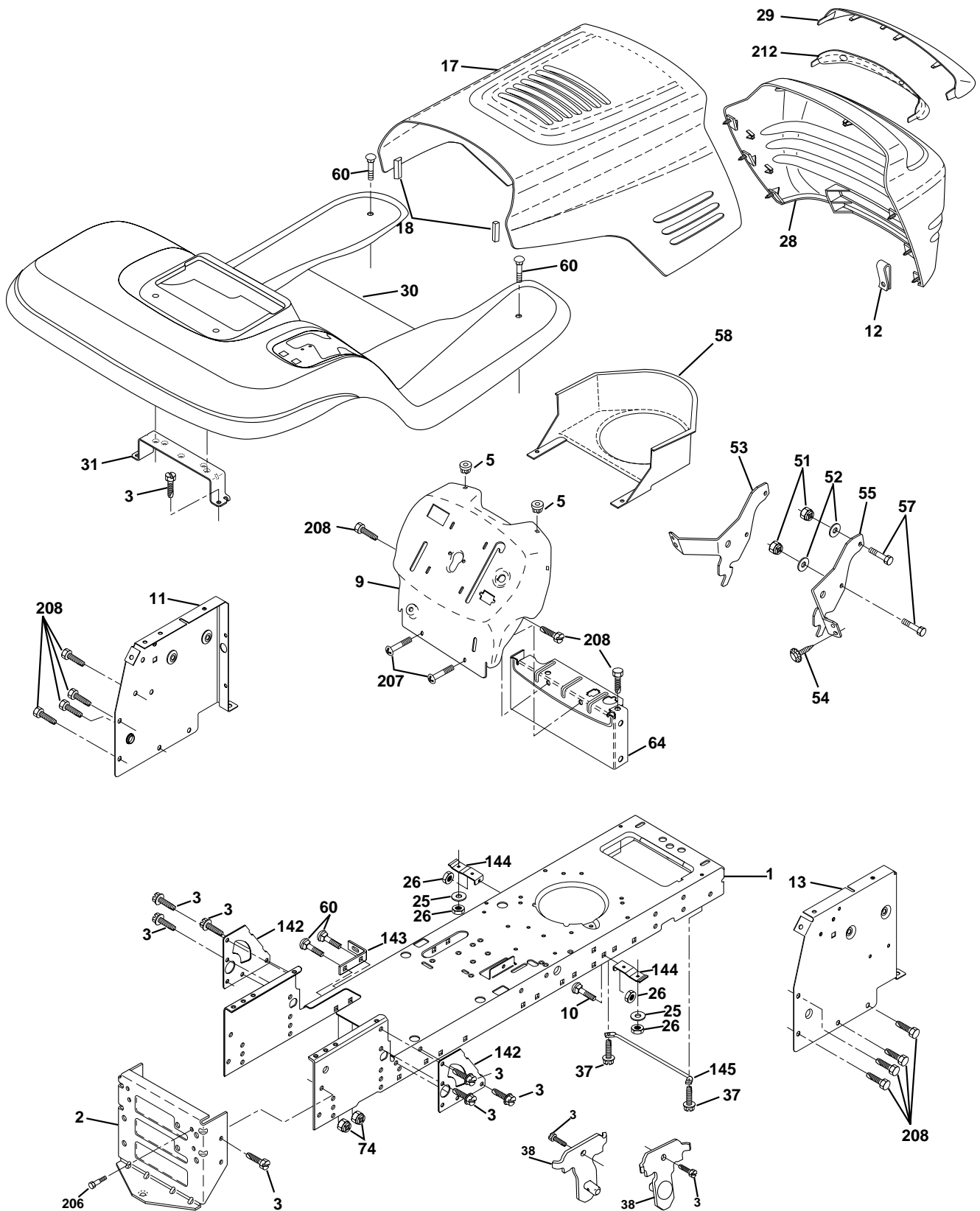
TRACTOR - MODEL NO. LT125 (HELT125A), PRODUCT NO. 954 17 00-33
ELECTRICAL

| KEY NO. | PART NO. | DESCRIPTION |
|---------|-----------|--------------------------------------|
| 1 | 532144925 | Battery 12 Volt 25 AMP |
| 2 | 874760412 | Bolt Hex Hd 1/4-20unc X 3/4 |
| 8 | 532156417 | Case Battery Mech Hinge |
| 16 | 532153664 | Switch Interlock Push-In |
| 21 | 532166181 | Harness Asm Light W/4152j |
| 22 | 532004152 | Bulb Light #1156 |
| 24 | 532124780 | Cable Battery 6 Ga 11" red |
| 25 | 532146147 | Cable Battery 6 Ga 44" red w/16 wire |
| 26 | 532175158 | Fuse 20 AMP |
| 27 | 873510400 | Nut Keps Hex 1/4-20 Unc |
| 28 | 532124773 | Cable Ground 6 Ga 12" black |
| 29 | 532121305 | Switch Plunger Nc Gray |
| 30 | 532175566 | Switch Ign |
| 33 | 532140401 | Key Ign Molded Generic |
| 40 | 532170217 | Harness Ign. |
| 41 | 871110408 | Bolt Blk Fin Hex 1/4 - 20 x 1/2 |
| 42 | 532131563 | Cover Terminal Red |
| 43 | 532175141 | Solenoid |
| 48 | 532140844 | Adapter Ammeter Rectangular |
| 52 | 532141940 | Protection Wire Loop |

NOTE: All component dimensions given in U.S. inches.
1 inch = 25.4 mm.

REPAIR PARTS

TRACTOR - MODEL NO. LT125 (HELT125A), PRODUCT NO. 954 17 00-33
CHASSIS AND ENCLOSURES



REPAIR PARTS

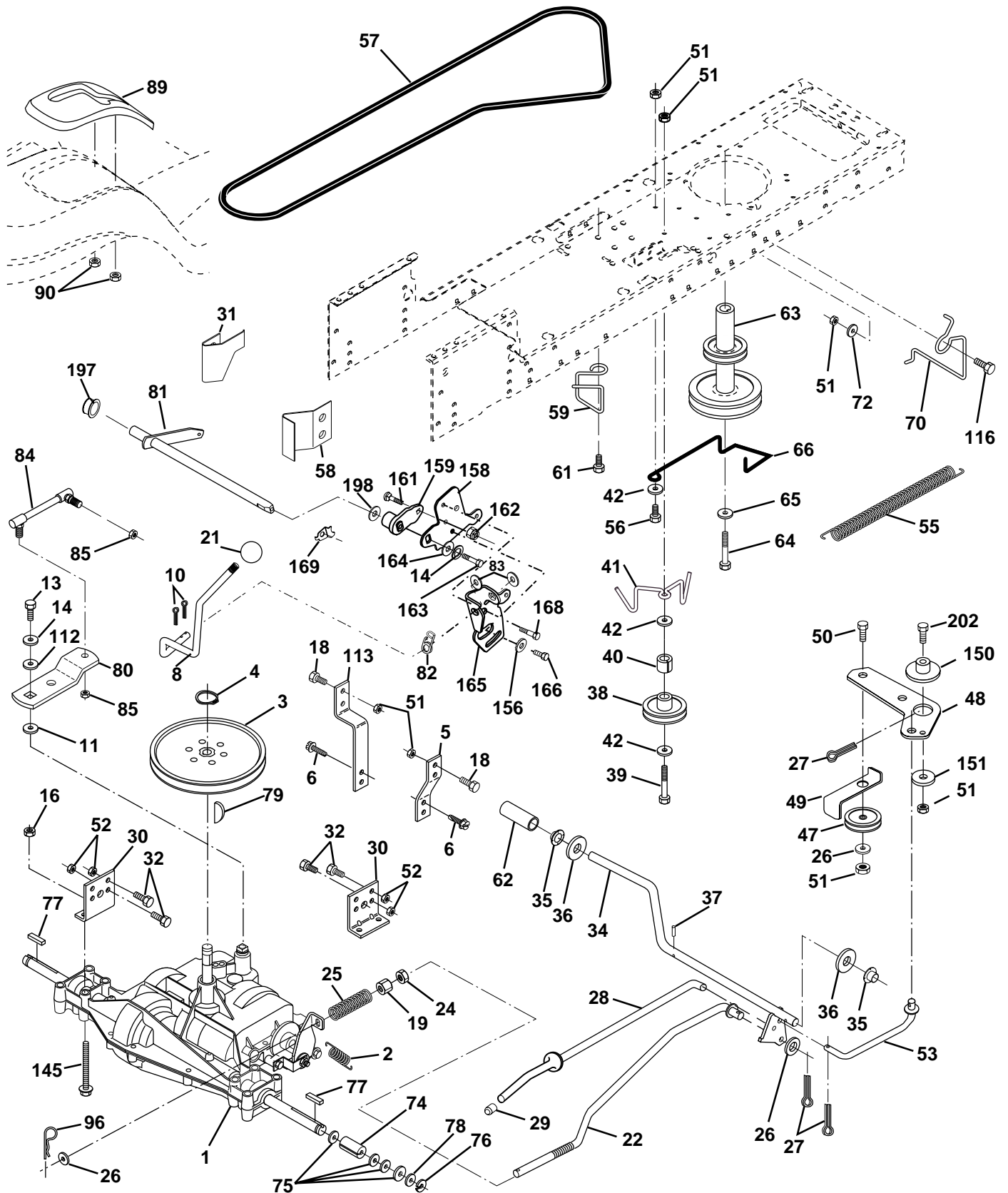
TRACTOR - MODEL NO. LT125 (HELT125A), PRODUCT NO. 954 17 00-33 CHASSIS AND ENCLOSURES

| KEY NO. | PART NO. | DESCRIPTION |
|---------|-----------|---------------------------------|
| 1 | 532169830 | Chassis Stamping |
| 2 | 532169061 | Drawbar |
| 3 | 817060612 | Screw 3/8-16x3/4 |
| 5 | 532155272 | Bumper Hood/Dash |
| 9 | 532171853 | Dash P/L |
| 10 | 872140608 | Bolt Carriage 3/8-16 x 1 |
| 11 | 532155927 | Panel Dash Lh |
| 12 | 532145660 | Clip Tinnerman |
| 13 | 532173025 | Panel Dash Rh |
| 17 | 532162237 | Hood LT/PL Husqvarna |
| 18 | 532126938 | Bumper Hood |
| 25 | 819131312 | Washer 13/32 X 13/16 X 12 Ga |
| 26 | 873800600 | Nut Lock Hex W/Ins 3/8-16 Unc |
| 28 | 532176644 | Grille LT/PL |
| 29 | 532176645 | Lens LT/PL |
| 30 | 532171854 | Fender Footrest STLT Pnt |
| 31 | 532139976 | Bracket Support Fender |
| 37 | 817490508 | Screw Thdrol 6/16-18 x 1/2 TYT |
| 38 | 532169834 | Bracket, Asm. Pivot, Mower Rear |
| 51 | 873800400 | Nut Lock Hex W/Ins 1/4-20 |
| 52 | 819091416 | Washer 9/32 x 7/8 x 16 Ga. |
| 53 | 532144697 | Bracket Grille LH |
| 54 | 532161464 | Screw Hex Wshd 8-18 x 7/8 |
| 55 | 532144696 | Bracket Grille RH |
| 57 | 874780412 | Bolt Hex 1/4-20 x 3/4 |
| 58 | 532150127 | Air Duct Engine P/L |
| 60 | 872140606 | Bolt Rdhd Sqnk 3/8-16unc x 3/4 |
| 64 | 532154798 | Dash Lower STLT |
| 74 | 873680600 | Nut Crownlock 3/8-16 UNC |
| 142 | 532165867 | Plate Reinforcement STLT |
| 143 | 532154966 | Bracket Swaybar Chassis |
| 144 | 532154207 | Bracket Pnt Footrest STLT |
| 145 | 532156524 | Rod Pivot Chassis/Hood |
| 206 | 532170165 | Bolt Shoulder 5/16-18 TT |
| 207 | 817670508 | Screw Thdrol 5/16-18 x 1/2 |
| 208 | 817670608 | Screw Thdrol 3/8-16 x 1/2 |
| 212 | 532156229 | Insert Lens Reflect |
| -- | 532005479 | Plug Button |

NOTE: All component dimensions given in U.S. inches
1 inch = 25.4 mm

REPAIR PARTS

TRACTOR - MODEL NO. LT125 (HELT125A), PRODUCT NO. 954 17 00-33
DRIVE



REPAIR PARTS

TRACTOR - MODEL NO. LT125 (HELT125A), PRODUCT NO. 954 17 00-33

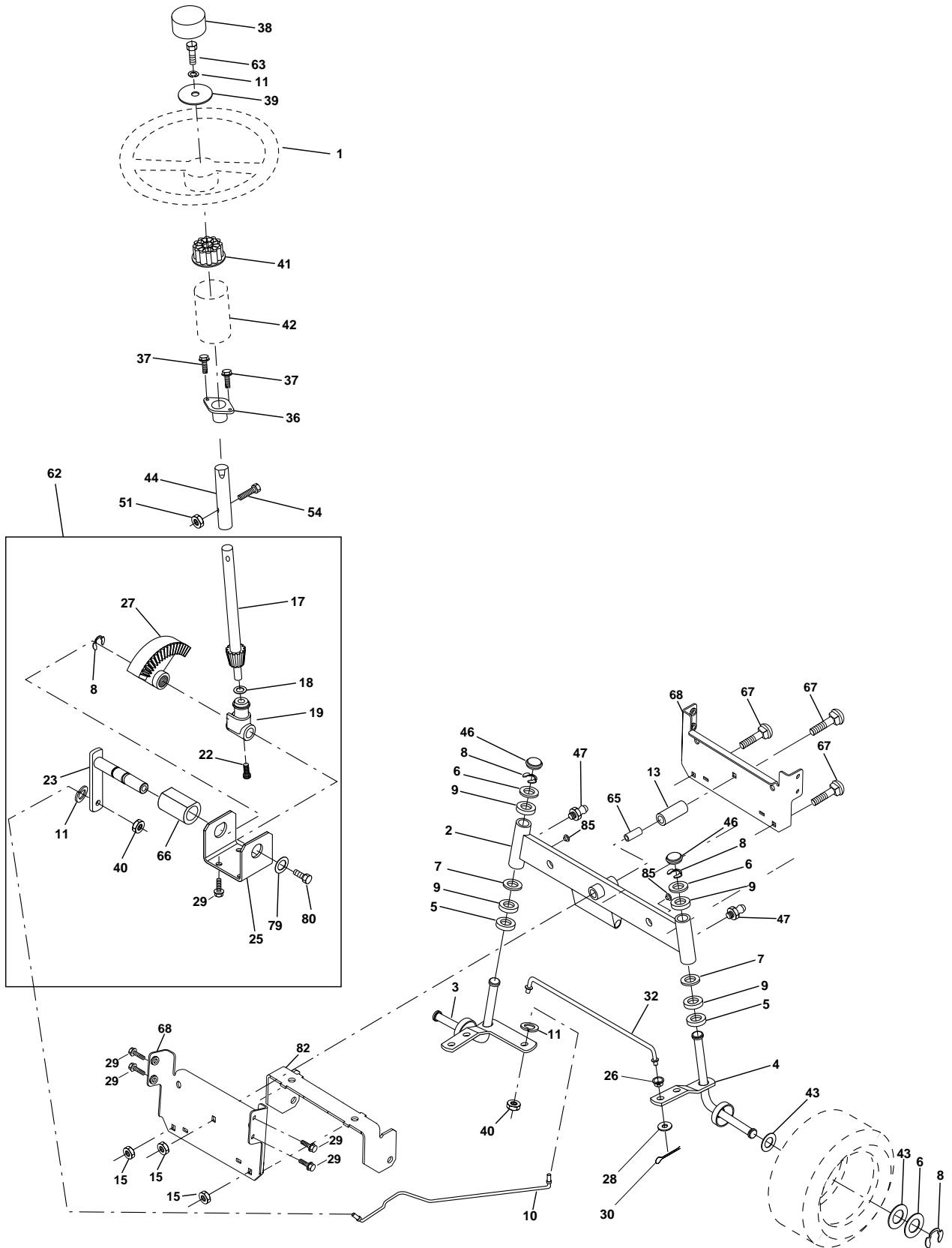
DRIVE

| KEY PART NO. NO. | DESCRIPTION | Correction: 205-544C | KEY PART NO. NO. | DESCRIPTION |
|------------------|-------------|--|------------------|---|
| 1 | ----- | Transaxle (Order Parts From Engine Manufacturer) Peerless 206-544C | 61 | 817060612 Screw 3/8-16x3/4 |
| 2 | 532146682 | Spring Return Brake T/a Zinc | 62 | 532123533 Cover Pedal Deluxe |
| 3 | 532123666 | Pulley Transaxle 18" tires | 63 | 532140186 Engine Pulley LT/YT |
| 4 | 812000028 | Ring Retainer #5100-62 | 64 | 871170764 Bolt Hex |
| 5 | 532121520 | Strap Torque 30 Degrees | 65 | 810040700 Washer Lock Hvy Hlcl Spr 7/16 |
| 6 | 817060512 | Screw Thdrol 5/16-18 X 3/4 TYT | 66 | 532154778 Keeper Belt Engine Foolproof |
| 8 | 532165866 | Rod Shift Fender Adjust STLT | 70 | 532134683 Guide Belt Mower Drive RH |
| 10 | 876020416 | Pin Cotter 1/8 X 1 Cad | 72 | 819132012 Washer 13/32 X 1-1/4 X 12 Ga |
| 11 | 532105701 | Washer Plate Shf 388 Sq Hole | 74 | 532137057 Spacer Axle |
| 13 | 874550412 | Bolt 1/4-28 Unf Gr 8 W/Patch | 75 | 532121749 Washer 25/32 X 1 1/4 X 16 Ga |
| 14 | 810040400 | Washer Lock Hvy Helical 1/4 | 76 | 812000001 E-ring #5133-75 |
| 16 | 873800500 | Nut Lock Hx W/Ins 5/16-18 Unc Pl | 77 | 532123583 Key Square 2 0 X 1845/ 1865 |
| 18 | 874780616 | Bolt, Fin Hex 3/8-16 UNC x 1 Gr. 5 | 78 | 532121748 Washer 25/32 X 1-5/8 X 16 Ga |
| 19 | 873800600 | Nut Lock 3/8-16 Unc | 79 | 532125096 Key Woodruff #9 3/16 x 3/4 |
| 21 | 532121274 | Knob | 80 | 532131486 Arm Shift |
| 22 | 532130804 | Rod Brake Blk Zinc 26 840 | 81 | 532165594 Shaft Asm Cross Tapered DA/PR 18" |
| 24 | 873350600 | Nut Hex Jam 3/8-16 Unc | 82 | 532165711 Spring Torsion T/a |
| 25 | 532106888 | Spring Rod Brake 2 00 Zinc | 83 | 819171216 Washer 17/32 X 3/4 X 16 Ga |
| 26 | 819131316 | Washer 13/32 X 13/16 X 16 Ga | 84 | 532166228 Transaxle Link |
| 27 | 876020412 | Pin Cotter 1/8 X 3/4 Cad | 85 | 532150360 Nut Lock Center 1/4 - 28 FNTHD |
| 28 | 532145204 | Rod Brake Parking LT/YT | 89 | 532176637 Console Shift STLT |
| 29 | 532071673 | Cap Brake Parking Black | 90 | 532124346 Nut Self-thd Wsh-hd 1/4 Zinc |
| 30 | 532174973 | Bracket Mtg Transaxle | 96 | 532124788 Retainer Spring 1" |
| 31 | 532127275 | Keeper Belt LH LT 14 Ga | 112 | 819091210 Washer 9/32 x 3/4 x 10 Ga. |
| 32 | 874760512 | Bolt Hex Hd 5/16-18unc X 3/4 | 113 | 532127285 Strap Torque LT |
| 34 | 532155071 | Shaft Asm Pedal Foot | 116 | 872110610 Bolt Rdhd Sq Neck 3/8-16 x 1.25 |
| 35 | 532120183 | Bearing Nylon Blk 629 Id | 145 | 874490540 Bolt Hex Flg Hd 5/16-18 Gr 5 |
| 36 | 819211616 | Washer 21/32 X 1 X 16 Ga | 150 | 532165850 Bushing Bellcrank |
| 37 | 532124963 | Pin Roll 3/16 X 1" | 151 | 819133210 Washer 13/32 x 2 x 10 Ga. |
| 38 | 532131494 | Pulley Idler Flat | 156 | 532166002 Washer Srrtd 5/16ID x 1.125 |
| 39 | 874760644 | Bolt Fin Hex 3/8-16unc X 2-3/4 | 158 | 532165589 Bracket Shift Mount |
| 40 | 532124965 | Spacer Split 395 X 59 Bzp | 159 | 532165494 Hub Tapered Flange Shift Lt |
| 41 | 532165838 | Keeper Belt Idler Flat | 161 | 872140406 Bolt Rdhd Sqnk 1/4-20 x 3/4 Gr 5 |
| 42 | 819131312 | Washer 13/32 X 13/16 X 12 Ga | 162 | 873680400 Nut Crownlock 1/4-20 Unc |
| 47 | 532127783 | Pulley Idler V Groove Plastic | 163 | 874780416 Bolt Hex Fin 1/4-20 Unc x 1 Gr 5 |
| 48 | 532154407 | Bellcrank Clutch Grnd Drv Stl | 164 | 819091010 Washer 5/8 x .281 x 10 Ga |
| 49 | 532123205 | Retainer Belt Style Spring | 165 | 532165623 Bracket Pivot Lever |
| 50 | 874760624 | Bolt Hex Hd 3/8-16unc X 1-1/2 | 166 | 532166880 Screw 5/16-18 x 5/8 |
| 51 | 873680600 | Nut Crownlock 3/8-16 Unc | 168 | 532165492 Bolt Shoulder 5/16-18 x .561 |
| 52 | 873680500 | Nut Crownlock 5/16-18 Unc | 169 | 532165580 Plate Fastening STLT/CRD |
| 53 | 532105710 | Link Clutch | 197 | 532169613 Nyliner Snap-In 5/8" ID |
| 55 | 532105709 | Spring Return Clutch 6 75 | 198 | 532169593 Washer Nyl 7/8 Id x .105" Hyd |
| 56 | 874760620 | Bolt Fin Hx 3/8-16 X 1/4 | 202 | 872110612 Bolt Carr Sh 3/8-16 x 1-1/2 Gr 5 |
| 57 | 532130801 | V-Belt Ground Drive 95 25 | | |
| 58 | 532127274 | Keeper Belt RH LT Pnt/zinc 16g | | |
| 59 | 532169691 | Keeper Belt Span Ctr | | |

NOTE: All component dimensions given in U.S. inches
1 inch = 25.4 mm

REPAIR PARTS

TRACTOR - MODEL NO. LT125 (HELT125A), PRODUCT NO. 954 17 00-33 STEERING ASSEMBLY



REPAIR PARTS

TRACTOR - MODEL NO. LT125 (HELT125A), PRODUCT NO. 954 17 00-33
STEERING ASSEMBLY

| KEY NO. | PART NO. | DESCRIPTION |
|---------|------------------|----------------------------------|
| 1 | 532124415 | Wheel Steering |
| 2 | 532154427 | Axle Asm STMP Dropped STL |
| 3 | 532169840 | Spindle Asm LH |
| 4 | 532169839 | Spindle Asm RH |
| 5 | 532124931 | Bearing Race Thrust Harden |
| 6 | 532121748 | Washer 25/32 X 1-5/8 X 16 Ga |
| 7 | 819272016 | Washer 27/32 X 1-1/4 X 16 Ga |
| 8 | 812000029 | Ring Klip #t5304-75 |
| 9 | 532124937 | Bearing Col Strg Blk |
| 10 | 532169832 | Link Drag |
| 11 | 810040600 | Washer Lock Hvy Hlcl Spr 3/8 |
| 13 | 532136518 | Spacer Brg Axle Front |
| 15 | 532145212 | Nut Hex Flange Lock |
| 17 | 532156546 | Shaft Asm Strg |
| 18 | 532057079 | Washer Thrust 515x 750x 033 |
| 19 | 532160395 | Support Shaft |
| 22 | 532165857 | Screw Hex |
| 23 | 532165851 | Shaft Asm Pittman |
| 25 | 532154406 | Bracket Steering |
| 26 | 532126847 | Bushing Link Drag Blk LR |
| 27 | 532136874 | Gear Sector |
| 28 | 819131416 | Washer 13/32 X 7/8 X 16 Ga |
| 29 | 817060612 | Screw 3/8-16x3/4 |
| 30 | 876020412 | Pin Cotter 1/8 X 3/4 Cad |
| 32 | 532130465 | Rod Tie Wire Form 19 75 Mech |
| 36 | 532155099 | Bushing Strg |
| 37 | 532152927 | Screw |
| 38 | 532124416 | Insert Cap Strg Wh |
| 39 | 819133812 | Washer 13/32 X 2-3/8 x 12 |
| 40 | 532124701 | Lock nut |
| 41 | 532100711 | Adaptor Wheel Strg |
| 42 | 532169634 | Boot Steering Shaft |
| 43 | 532121749 | Washer 25/32 X 1 1/4 X 16 Ga |
| 44 | 532153720 | Extension Steering Shaft LR/LT |
| 46 | 532121232 | Cap Spindle Fr Top Blk |
| 47 | 532124836 | Fitting Grease |
| 51 | 873800500 | Nut Lock Hex w/Ins 5/16-18 |
| 54 | 874780520 | Bolt Fin Hex 5/16-18 Unc x 1-1/4 |
| 62 | 532167902 | Kit, Steering Assembly Svc |
| 63 | 874780616 | Bolt Fin Hex 3/8-16unc x 1 Gr. 5 |
| 65 | 532160367 | Spacer Brace Axle |
| 66 | 532154404 | Bearing Arm Pittman |
| 67 | 872110618 | Bolt, Rdhd Sqnk 3/8-16 x 2-1/4 |
| 68 | 532169827 | Axle, Brace |
| 79 | 819132012 | Washer 13/32 x 1-1/4 x 12 Ga |
| 80 | 874950612 | Bolt Hex Nylon 3/8-16 x 3/4 |
| 82 | 532169835 | Bracket Susp Chassis Front |
| 85 | 532133835 | Fastener Christmas Tree |

NOTE: All component dimensions given in U.S. inches.
1 inch = 25.4 mm.

REPAIR PARTS

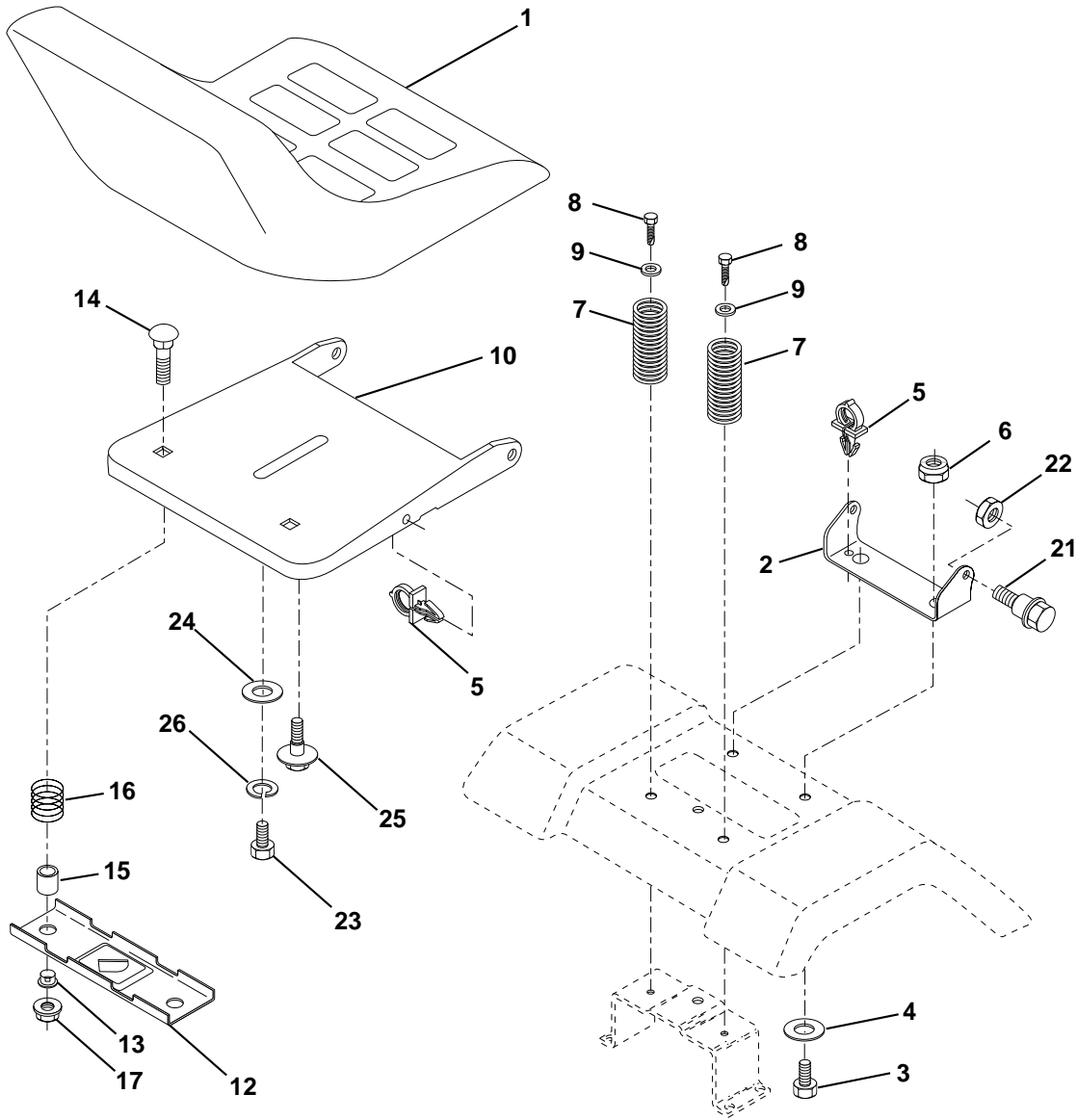
TRACTOR - MODEL NO. LT125 (HELT125A), PRODUCT NO. 954 17 00-33
ENGINE

| KEY NO. | PART NO. | DESCRIPTION |
|---------|-----------|---|
| 1 | 532170865 | Control Th/ch Flag |
| 2 | 817720410 | Screw Hex Thd Cut 1/4-20x5/8 T |
| 3 | ----- | Engine B&S Model No. 289707 (Order Parts From Engine Manufacturer) |
| 4 | 532137348 | Muffler LT B&S 12/12.5/13HP |
| 13 | 532165291 | Gasket Eng 1 313 Id Tin Plated |
| 14 | 532148456 | Tube Drain Oil Easy |
| 16 | 811050600 | Washer Lock Ext Tooth 3/8 |
| 23 | 532169837 | Shield Brn/Dbr Guard |
| 29 | 532137180 | Kit Spark Arrestor (Flat Scrn) |
| 31 | 532109202 | Tank Fuel Front |
| 32 | 532140527 | Cap Asm Fuel W/sym Vented |
| 33 | 532123487 | Clamp Hose Black |
| 37 | 532137040 | Line Fuel 20" |
| 38 | 532148315 | Plug Drain Oil Easy |
| 40 | 532124028 | Bushing Snap Nyl Blk Fuel Line |
| 44 | 817490412 | Screw Hexwsh Thdrol 1/4-20x3/4 |
| 45 | 817000612 | Screw Hex Wsh Thdrol 3/8-16 x 3/4 |
| 46 | 819091416 | Washer 9/32 X 7/8 X 16 Ga |
| 62 | 810040500 | Washer Lock Hvy Hlcl Spr 5/16 |
| 66 | 532127951 | Stop Throttle 3000 RPM |
| 72 | 871070512 | Screw Hexhd Cap 5/16-18 x 3/4 |
| 78 | 817060620 | Screw 3/8-16x1-1/4 |
| 81 | 873510400 | Nut 1/4-20 |

NOTE: All component dimensions given in U.S. inches
1 inch = 25.4 mm

REPAIR PARTS

TRACTOR - MODEL NO. LT125 (HELT125A), PRODUCT NO. 954 17 00-33
SEAT ASSEMBLY



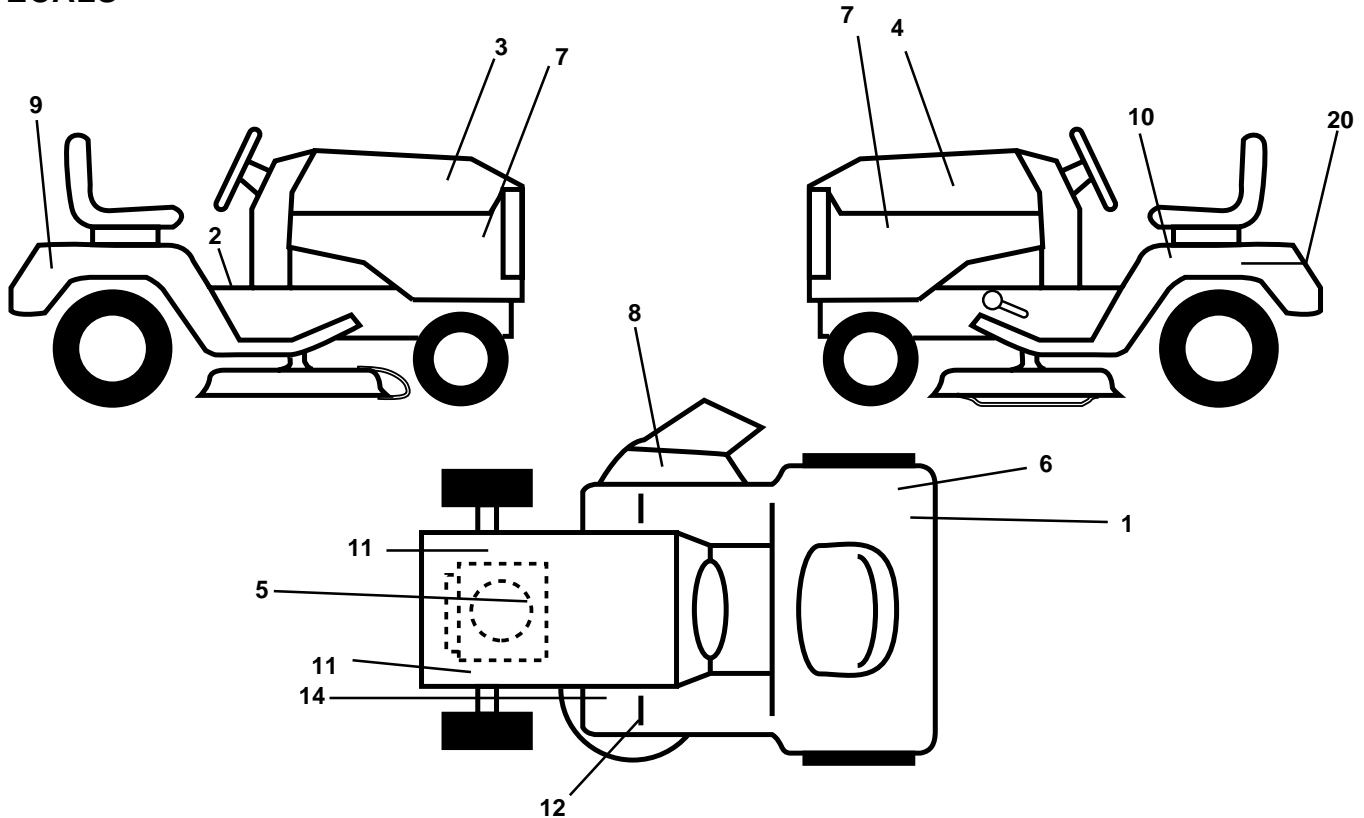
| KEY NO. | PART NO. | DESCRIPTION |
|---------|-----------|--------------------------------|
| 1 | 532140838 | Seat |
| 2 | 532140551 | Bracket Pivot Seat 8 720 |
| 3 | 871110616 | Bolt Fin Hex 3/8-16unc X 1 |
| 4 | 819131610 | Washer 13/32 X 1 X 10 Ga |
| 5 | 532145006 | Clip Push-In |
| 6 | 873800600 | Nut Hex w/Ins. 3/8-16 Unc |
| 7 | 532124181 | Spring Seat Cprsn 2 250 Blk Zi |
| 8 | 817000616 | Screw 3/8-16 X 1-1/2 |
| 9 | 819131614 | Washer 13/32 X 1 X 14 Ga. |
| 10 | 532174894 | Pan Seat |
| 12 | 532121246 | Bracket Mounting Switch |
| 13 | 532121248 | Bushing Snap Blk Nyl 50 Id |

| KEY NO. | PART NO. | DESCRIPTION |
|---------|-----------|--------------------------------|
| 14 | 872050412 | Bolt Rdhd Sqnk 1/4-20x1-1/2 |
| 15 | 532134300 | Spacer Split 28x 96 Yel Zinc |
| 16 | 532121250 | Spring Cprsn 1 27 Blk Pnt |
| 17 | 532123976 | Nut Lock 1/4 Lge Flg Gr 5 Zinc |
| 21 | 532171852 | Bolt Shoulder 5/16-18 Unc |
| 22 | 873800500 | Nut Hex Lock W/Ins 5/16-18 |
| 23 | 871110814 | Bolt Hex |
| 24 | 819171612 | Washer 17/32 X 1 X 12 Ga. |
| 25 | 532127018 | Bolt Shoulder 5/16-18 X 62 |
| 26 | 810040800 | Washer Lock Hvy HLCL SPR 1/2 |

NOTE: All component dimensions given in U.S. inches.
1 inch = 25.4 mm

REPAIR PARTS

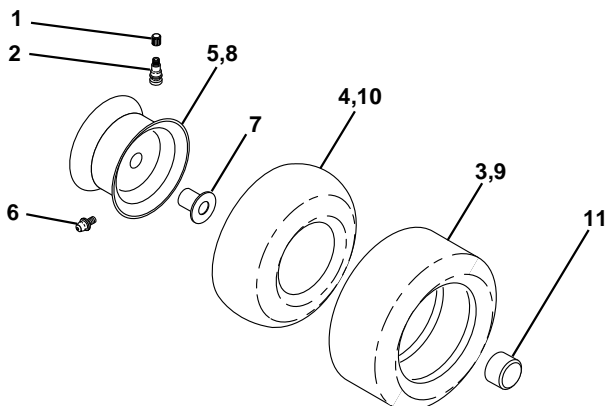
TRACTOR - MODEL NO. LT125 (HELT125A), PRODUCT NO. 954 17 00-33
DECALS



| KEY NO. | PART NO. | DESCRIPTION |
|---------|-----------|---------------------------------|
| 1 | 532126187 | Decal 100 DBA |
| 2 | 532140837 | Decal Saddle Brake Parking |
| 3 | 532175848 | Decal Hood RH |
| 4 | 532175849 | Decal Hood LH |
| 5 | 532175839 | Decal HP Engine |
| 6 | 532145437 | Decal Europe Stand CE |
| 7 | 532159713 | Decal Pnl Side |
| 8 | 532145494 | Decal Mower Cutfinger |
| 9 | 532150617 | Decal Fender Husq |
| 10 | 532145498 | Decal Read Owner's Manual Syms. |

| KEY NO. | PART NO. | DESCRIPTION |
|---------|-----------|---------------------------------|
| 11 | 532159736 | Decal Chassis Hot Muffler |
| 12 | 532159737 | Decal Brake/ Clutch Symbol Lt |
| 14 | 532136832 | Decal V-Belt Schematic |
| 20 | 532145005 | Decal Bat Dan/Psn |
| -- | 532171284 | Pad Footrest LH STLT |
| -- | 532162598 | Decal Drawbar |
| -- | 532171285 | Pad Footrest RH STLT |
| -- | 532138311 | Decal Handle Lift Height Adjust |
| -- | 532176191 | Manual Operator's (Euro.) |
| -- | 532176192 | Manual Operator's (Scan.) |

WHEELS & TIRES



| KEY NO. | PART NO. | DESCRIPTION |
|---------|-----------|-----------------------------------|
| 1 | 532059192 | Cap Valve Tire |
| 2 | 532065139 | Stem Valve |
| 3 | 532106222 | Tire F Ts 15 X 6 0 - 6 Service |
| 4 | 532059904 | Tube Front (Service Item Only) |
| 5 | 532138336 | Rim Asm 6"front Silver Service |
| 6 | 532124957 | Fitting Grease (Front Wheel Only) |
| 7 | 532124959 | Bearing Flange (Front Wheel Only) |
| 8 | 532138337 | Rim Asm 8"rear Silver Service |
| 9 | 532124635 | Tire R Ts 18x9 5-8 C Service |
| 10 | 532124926 | Tube Rear (Service Item Only) |
| 11 | 532175039 | Cap Axle Blk 1 50 X 1 00 |
| -- | 532144334 | Sealant, Tire (10 oz. Tube) |

NOTE: All component dimensions given in U.S. inches
1 inch = 25.4 mm

REPAIR PARTS

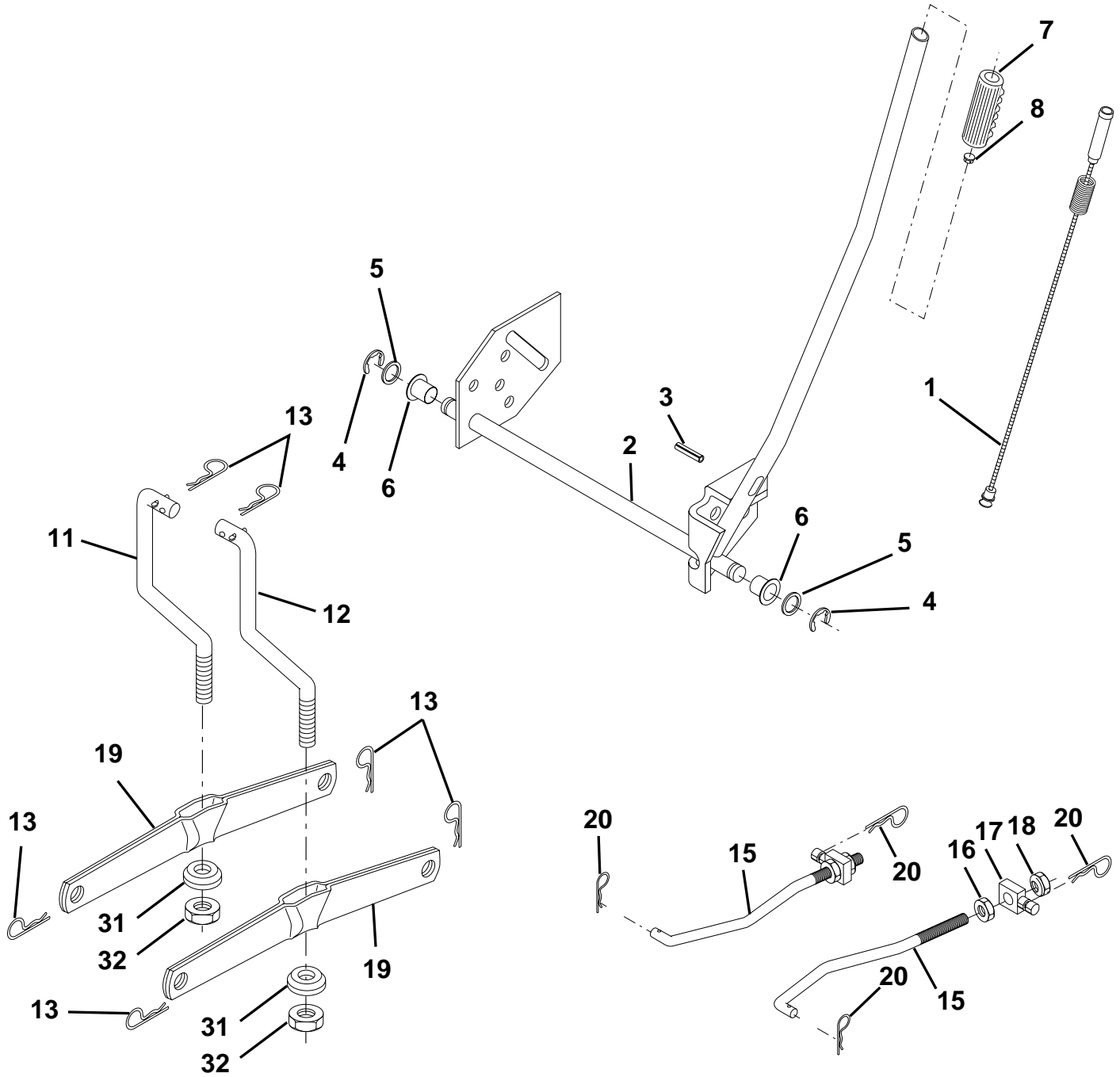
TRACTOR - MODEL NO. LT125 (HELT125A), PRODUCT NO. 954 17 00-33
MOWER DECK

| KEY NO. | PART NO. | DESCRIPTION | KEY NO. | PART NO. | DESCRIPTION |
|---------|------------------|--|---------|-----------|---|
| 1 | 532174595 | Mower Deck Assembly | 55 | 532133840 | Idler Arm Assembly |
| 2 | 872140506 | Bolt | 56 | 532165723 | Spacer, Retainer |
| 3 | 532138017 | Bracket Assembly, Sway Bar | 67 | 532106932 | Knob RD 3/8-16 Plstc Thd |
| 4 | 532175654 | Bracket Sway Bar | 68 | 532174978 | Belt |
| 5 | 532124670 | Retainer Spring | 69 | 876020312 | Pin, Cotter 3/32 x 3/4 |
| 6 | 532130832 | Arm, Suspension, Rear | 89 | 819131612 | Washer 13/32 x 1 x 12 Ga |
| 7 | 532140608 | Keeper Belt | 107 | 532133502 | Spacer, Retainer |
| 8 | 532850857 | Bolt, Hex 3/8-24 x 1.25 Gr. 8 | 108 | 532133503 | Stiffener, Idler Arm |
| 9 | 810030600 | Washer, Lock Hvy Hlcl 3/8 | 113 | 817490508 | Screw Thdrol 5/16-18 x 1/2 |
| 10 | 532140296 | Washer, Hardened | 122 | 532174505 | Rod, Brake, LH |
| 11 | 532138496 | Blade, Mower | 123 | 532174504 | Rod, Brake, RH |
| 13 | 532137645 | Shaft Assembly, Mandrel, Vented (Includes Key #12) | 146 | 532165891 | Bolt Carriage Idler |
| 14 | 532128774 | Housing, Mandrel, Vented | 148 | 532169022 | Spring Return Idler |
| 15 | 532110485 | Bearing, Ball, Mandrel | 149 | 532165898 | Retainer Spring Yellow Zinc |
| 16 | 532140329 | Stripper, Vented Mower Deck | 150 | 819091216 | Washer 9/32 x 3/4 x 16 Ga. |
| 19 | 532132827 | Bolt, Shoulder | 151 | 532169670 | Bracket Clutch |
| 21 | 873680500 | Nut Crownlock 5/16-18 | 152 | 532176079 | Cable Clutch |
| 23 | 532136631 | Bracket, Mower Deflector | 153 | 532169674 | Washer Flat 3/8" Type B |
| 24 | 532105304 | Cap, Sleeve | 154 | 532169675 | Spring Retainer |
| 25 | 532123713 | Spring, Torsion, Deflector | 155 | 532169671 | Spring Retention Lever |
| 26 | 532110452 | Nut, Push | 156 | 532169672 | Spacer |
| 27 | 532176162 | Shield, Deflector | 157 | 532169669 | Rod Clutch |
| 28 | 819111016 | Washer 11/32 x 5/8 x 16 Ga. | 158 | 817720410 | Screw Hex Thd Cut 1/4-20x5/8 |
| 29 | 532121980 | Rod, Hinge | 164 | 532174976 | Bracket Asm Idler Support |
| 30 | 532157722 | Screw Thdrol Washer Head | 168 | 532172377 | Bracket Deck Cable |
| 31 | 532129963 | Washer, Spacer | 169 | 532174977 | Bracket Asm Suspension |
| 32 | 532153531 | Pulley, Mandrel | 170 | 532172359 | Bracket Suspension RF |
| 33 | 532137266 | Nut, Toplock, Flanged | 171 | 532165237 | Bracket Support Susp. Frt |
| 34 | 872110614 | Bolt Rdhd 3/8-16 x 1-3/4 | 172 | 532172355 | Bracket Suspension LF |
| 36 | 532131494 | Pulley, Idler, Flat | -- | 532130794 | Mandrel Assembly (Includes Key Numbers 12-15, 17-19, 31 and 33) |
| 40 | 873680600 | Nut Crownlock 3/8-16 | -- | 532175254 | Mower Deck, Complete |
| 45 | 532124788 | Retainer, Spring | | | |
| 53 | 532130840 | Brake Assembly | | | |
| 54 | 532133943 | Washer, Hardened | | | |

NOTE: All component dimensions given in U.S. inches
1 inch = 25.4 mm

REPAIR PARTS

TRACTOR - MODEL NO. LT125 (HELT125A), PRODUCT NO. 954 17 00-33
MOWER LIFT



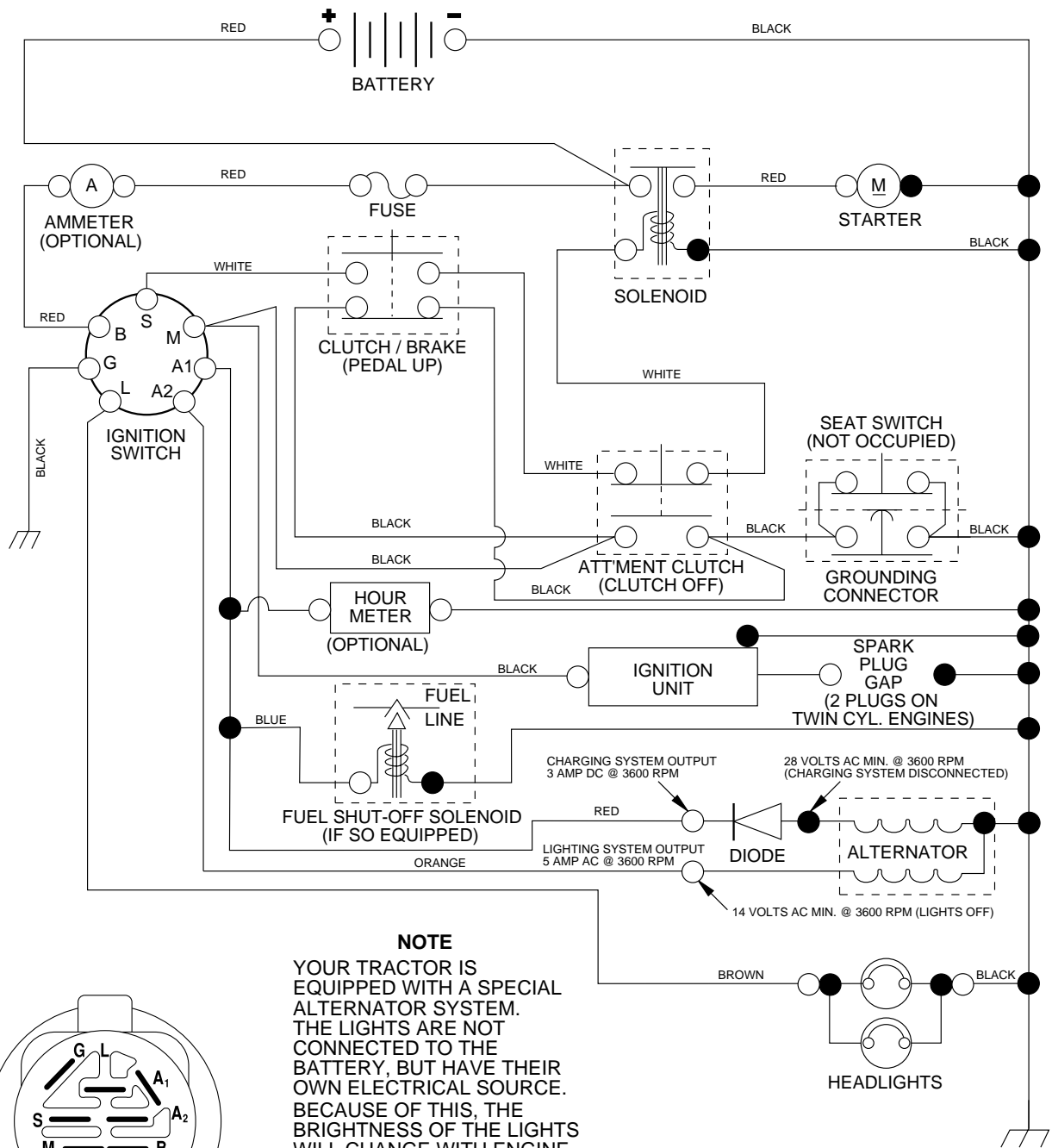
REPAIR PARTS

TRACTOR - MODEL NO. LT125 (HELT125A), PRODUCT NO. 954 17 00-33
MOWER LIFT

| KEY NO. | PART NO. | DESCRIPTION |
|---------|-----------|---------------------------------|
| 1 | 532159460 | Wire Asm Inner/Spring W/plunger |
| 2 | 532159471 | Shaft Asm Lift |
| 3 | 532105767 | Pin Groove |
| 4 | 812000002 | E Ring #5133-62 |
| 5 | 819211621 | Washer PLTD 21/32 X 1 X 21ga |
| 6 | 532120183 | Bearing Nylon Blk 629 Id |
| 7 | 532125631 | Grip Handle Fluted |
| 8 | 532124526 | Button Plunger Black |
| 11 | 532139865 | Link Lift LH |
| 12 | 532139866 | Link Lift RH |
| 13 | 532124670 | Retainer Spring |
| 15 | 532173288 | Link Front |
| 16 | 873350800 | Nut Jam Hex 1/2-13 Unc |
| 17 | 532130171 | Trunnion Blk Zinc |
| 18 | 873800800 | Nut Lock W/wsh 1/2-13unc |
| 19 | 532139868 | Arm Suspension Rear |
| 20 | 532163552 | Spring, Retainer |
| 31 | 532169865 | Bearing Pvt. Lift |
| 32 | 873540600 | Nut Crownlock 3/8-24 |

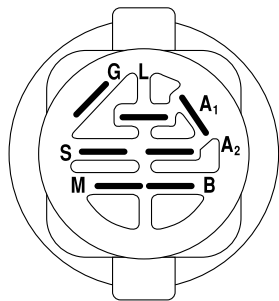
NOTE: All component dimensions given in U.S. inches
1 inch = 25.4 mm

TRACTOR - MODEL NO. LT125 (HELT125A), PRODUCT NO. 954 17 00-33 SCHEMATIC



NOTE

YOUR TRACTOR IS EQUIPPED WITH A SPECIAL ALTERNATOR SYSTEM. THE LIGHTS ARE NOT CONNECTED TO THE BATTERY, BUT HAVE THEIR OWN ELECTRICAL SOURCE. BECAUSE OF THIS, THE BRIGHTNESS OF THE LIGHTS WILL CHANGE WITH ENGINE SPEED. AT IDLE THE LIGHTS WILL DIM. AS THE ENGINE IS SPEEDED UP, THE LIGHTS WILL BECOME THEIR BRIGHTEST.



IGNITION SWITCH

| POSITION | CIRCUIT | "MAKE" |
|-----------|------------|--------|
| OFF | M+G+A1 | NONE |
| RUN/LIGHT | B+A1 | A2+L |
| RUN | B+A1 | NONE |
| START | B + S + A1 | NONE |

WIRING INSULATED CLIPS

NOTE: IF WIRING INSULATED CLIPS WERE REMOVED FOR SERVICING OF UNIT, THEY SHOULD BE REPLACED TO PROPERLY SECURE YOUR WIRING.

NON-REMOVABLE CONNECTIONS

REMOVABLE CONNECTIONS