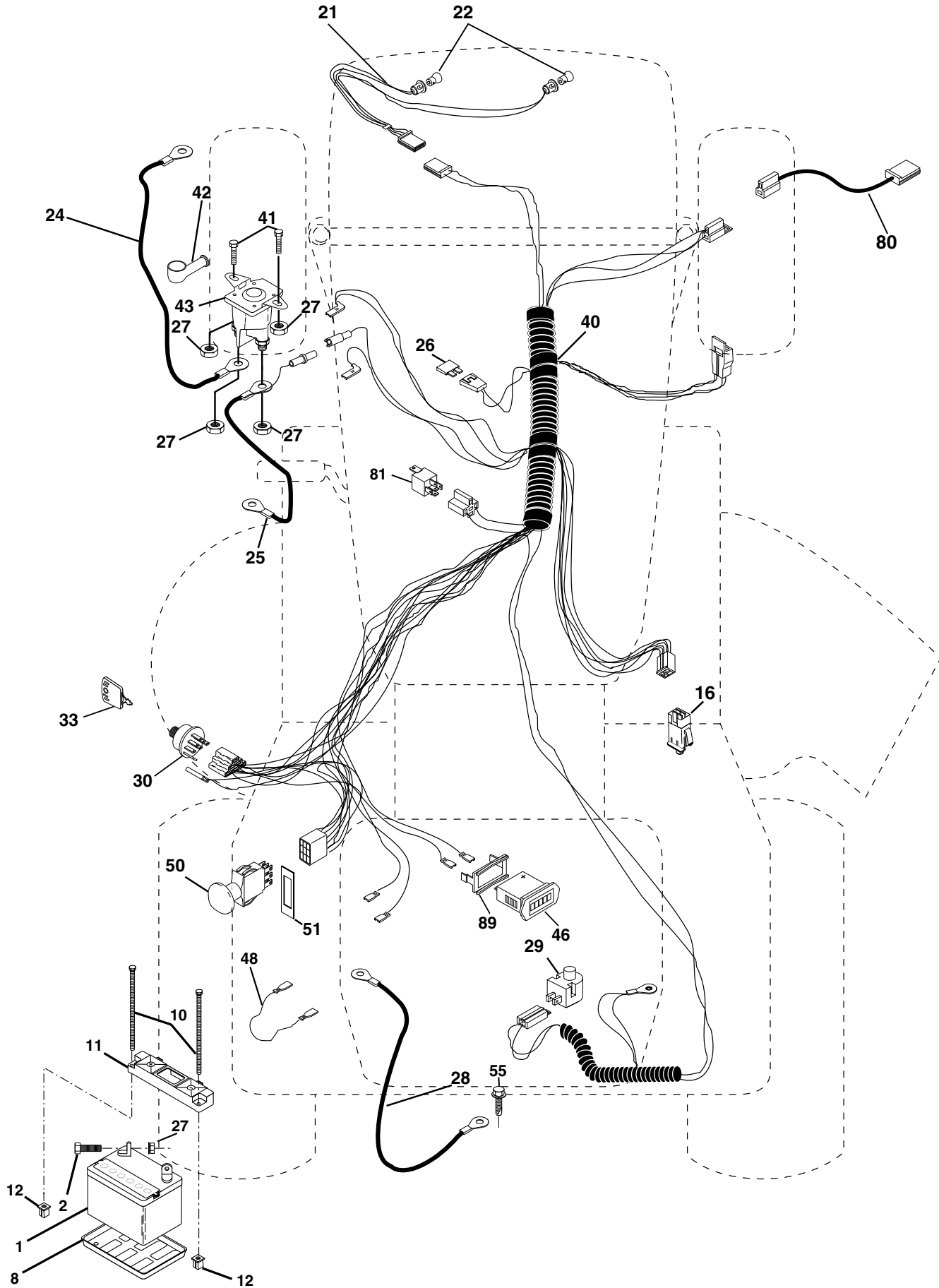


YTH180

Spare parts
Ersatzteile
Pièces détachées
Reserve onderdelen
Repuestos
Reservdelar

REPAIR PARTS

TRACTOR - MODEL NO. YTH180 (HEYTH180E), PRODUCT NO. 954 17 00-23
ELECTRICAL



REPAIR PARTS

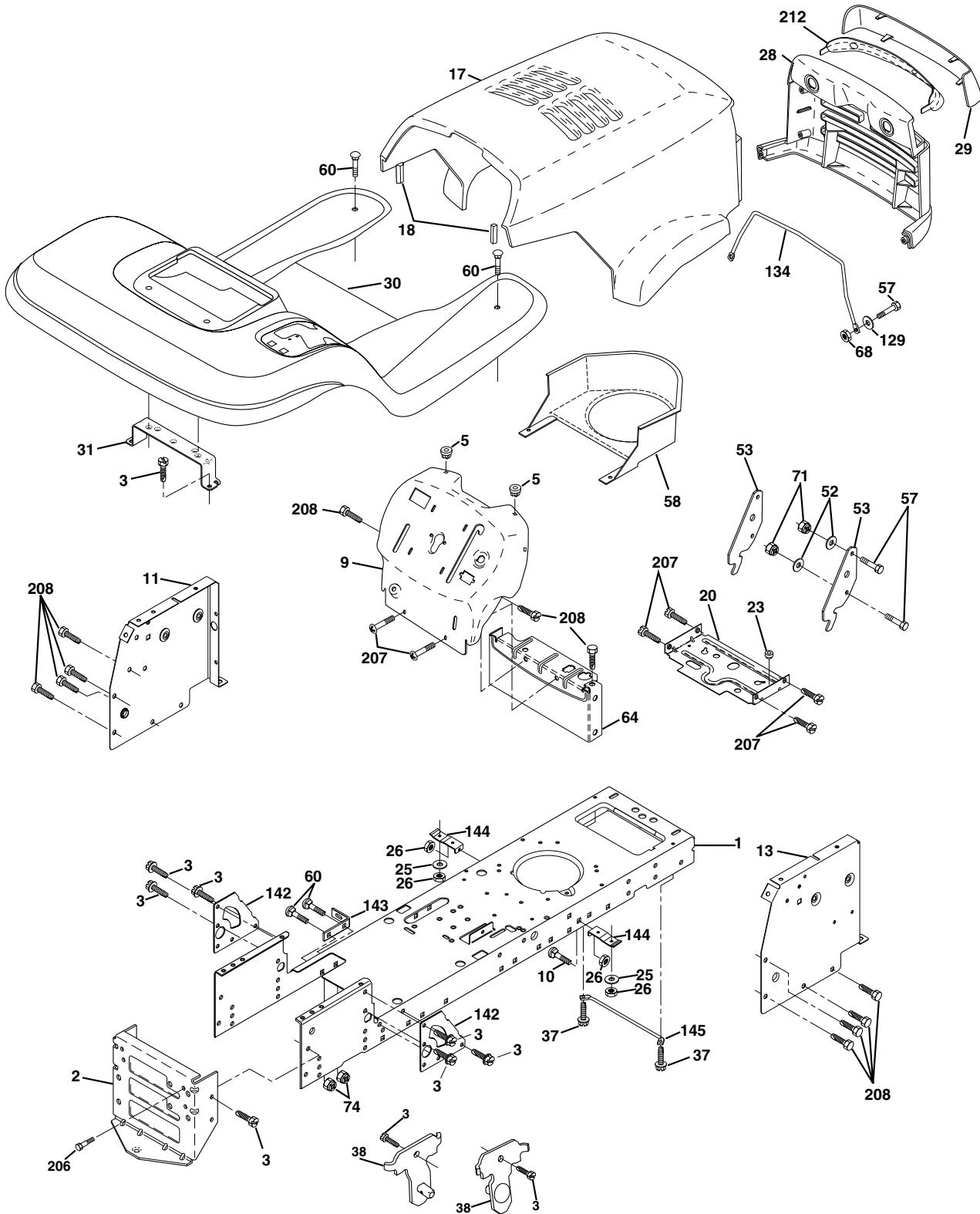
TRACTOR - MODEL NO. YTH180 (HEYTH180E), PRODUCT NO. 954 17 00-23
ELECTRICAL

KEY NO.	PART NO.	DESCRIPTION
1	532163465	Battery 12 VOLT 28 AMP
2	874760412	Bolt Hex Hd 1/4-20unc X 3/4
8	532124886	Tray Battery 7.80 x 5.25 Blk
10	532145211	Bolt Btr Frt 1/4-20 x 7.5 Zinc
11	532150109	Holddown Battery Front Mount
12	532145769	Nut Push Nylon 1/4" Battery Frt
16	532153664	Switch Interlock Push-In
21	532166181	Harness Asm Light W/4152J
22	532004152	Bulb Light #1156
24	532124780	Cable Battery 6 Ga 11"red
25	532146148	Cable Battery 6 Ga W/16 Ga Wire 22"
26	532175158	Fuse 20 AMP
27	873510400	Nut Keps hex 1/4-20 Unc
28	532145491	Cable Ground 6 Ga 21" Black
29	532160784	Switch Plunger Normal Op Olive
30	532175566	Switch Ignition
33	532140401	Key Ign Molded Generic
40	532170221	Harness Ign.
41	871110408	Bolt Hex Hd. Fin 1/4-20 x 1/2 Gr. 5
42	532131563	Cover Terminal Red
43	532175141	Solenoid
46	532169635	Hourmeter Snap-In
48	532140844	Adapter Ammeter Rectangular
50	532174651	Switch PTO
51	532140405	Ring Retainer PTO
55	817490508	Screw Thdrol 5/16-18 x 1/2
80	532146685	Harness Clutch Evx
81	532109748	Relay Asm.
89	532169639	Bracket Snap-In Hourmeter

NOTE: All component dimensions given in U.S. inches
1 inch = 25.4 mm.

REPAIR PARTS

TRACTOR - MODEL NO. YTH180 (HEYTH180E), PRODUCT NO. 954 17 00-23
ENCLOSURES



REPAIR PARTS

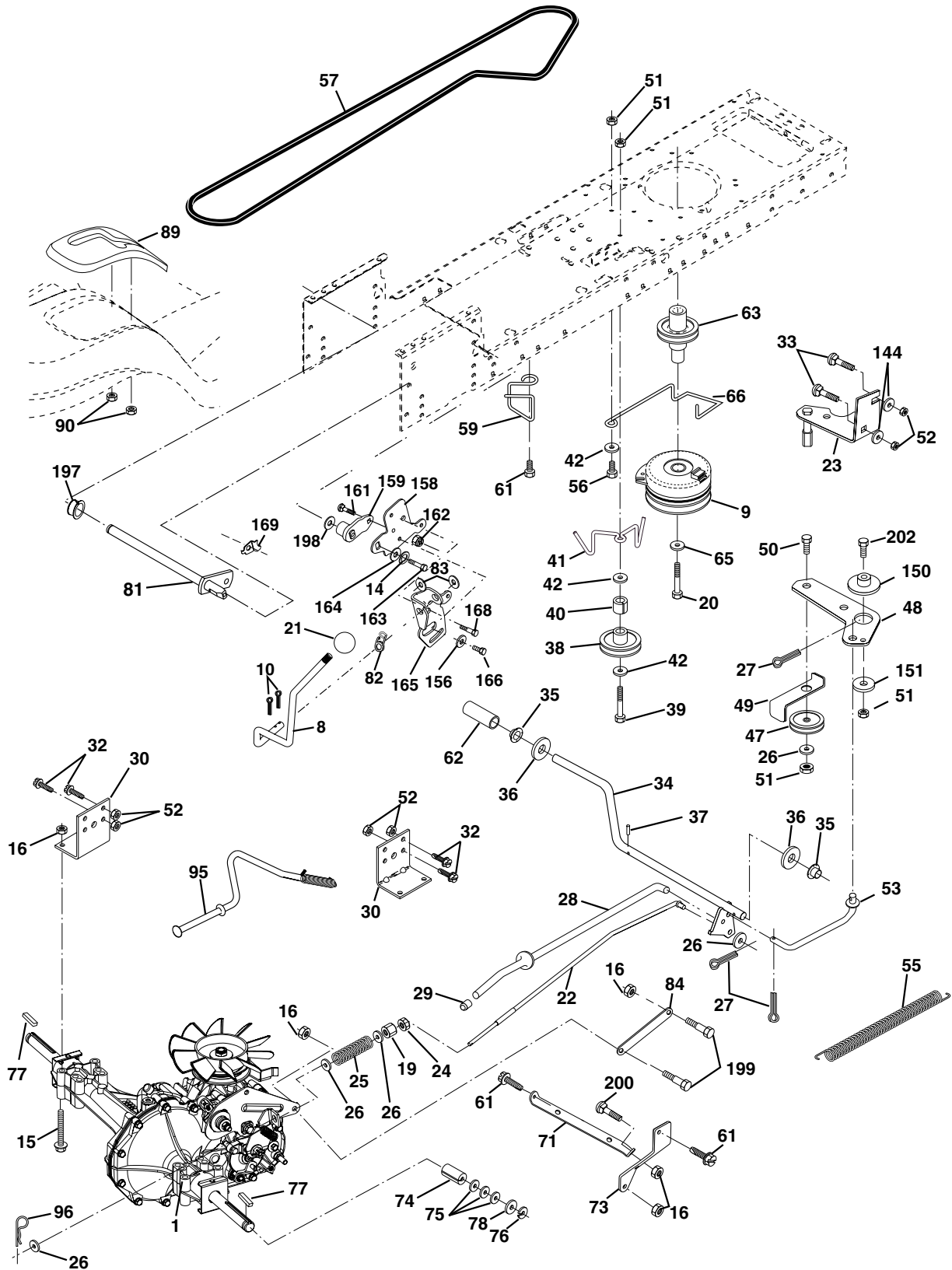
TRACTOR - MODEL NO. YTH180 (HEYTH180E), PRODUCT NO. 954 17 00-23
ENCLOSURES

KEY NO.	PART NO.	DESCRIPTION
1	532169830	Chassis Stl Stamping
2	532169061	Drawbar
3	817060612	Screw 3/8-16x3/4
5	532155272	Bumper Hood/Dash
9	532171924	Dash P/L
10	872140608	Bolt Carriage 3/8-16 x 1
11	532155927	Panel Dash Lh
13	532172106	Panel Dash Rh
17	532165378	Hood LT/PL Husqvarna
18	532126938	Bumper Hood
20	532156437	Plate Mtg Battery Fuel Tank Fr
23	532124028	Bushing
25	819131312	Washer 13/32 X 13/16 X 12 Ga
26	873800600	Nut Lock Hex W/Ins 3/8-16 Unc
28	532165379	Grille LT/PL Husqvarna
29	532165380	Lens LT/PL Husqvarna
30	532171854	Fender Footrest STLT Pnt
31	532139976	Bracket Support Fender
37	817490508	Screw Thdrol 6/16-18 x 1/2 TYT
38	532169834	Bracket Asm. Pivot Mower Rear
52	819091416	Washer 9/32 x 7/8 x 16 Ga.
53	532150067	Bracket Pnt. Pick off LT/PL Husqvarna
57	874780412	Bolt Hex 1/4-20 x 3/4
58	532174930	Duct Intake Air
60	872140606	Bolt Rdhd Sqnk 3/8-16unc x 3/4
64	532154798	Dash Lower STLT
68	873510400	Nut Keps Hex 1/4-20 UNC
71	873680400	Nut Crownlock 1/4-20 UNC
74	873680600	Nut Crownlock 3/8-16 UNC
129	819091016	Washer 9/32 x 5/8 x 16 Ga.
134	532160219	Rod Support Hood PL Husq.
142	532165867	Plate Reinforcement STLT
143	532154966	Bracket Swaybar Chassis
144	532154207	Bracket Pnt Footrest STLT
145	532156524	Rod Pivot Chassis/Hood
206	532170165	Bolt Shoulder 5/16-18 TT
207	817670508	Screw Thdrol 5/16-18 x 1/2 TYTT
208	817670608	Screw Thdrol 3/8-16 x 1/2 TYT BL
212	532156195	Insert Lens Reflective

NOTE: All component dimensions given in U. S. inches
1 inch = 25.4 mm

REPAIR PARTS

TRACTOR - MODEL NO. YTH180 (HEYTH180E), PRODUCT NO. 954 17 00-23
DRIVE



REPAIR PARTS

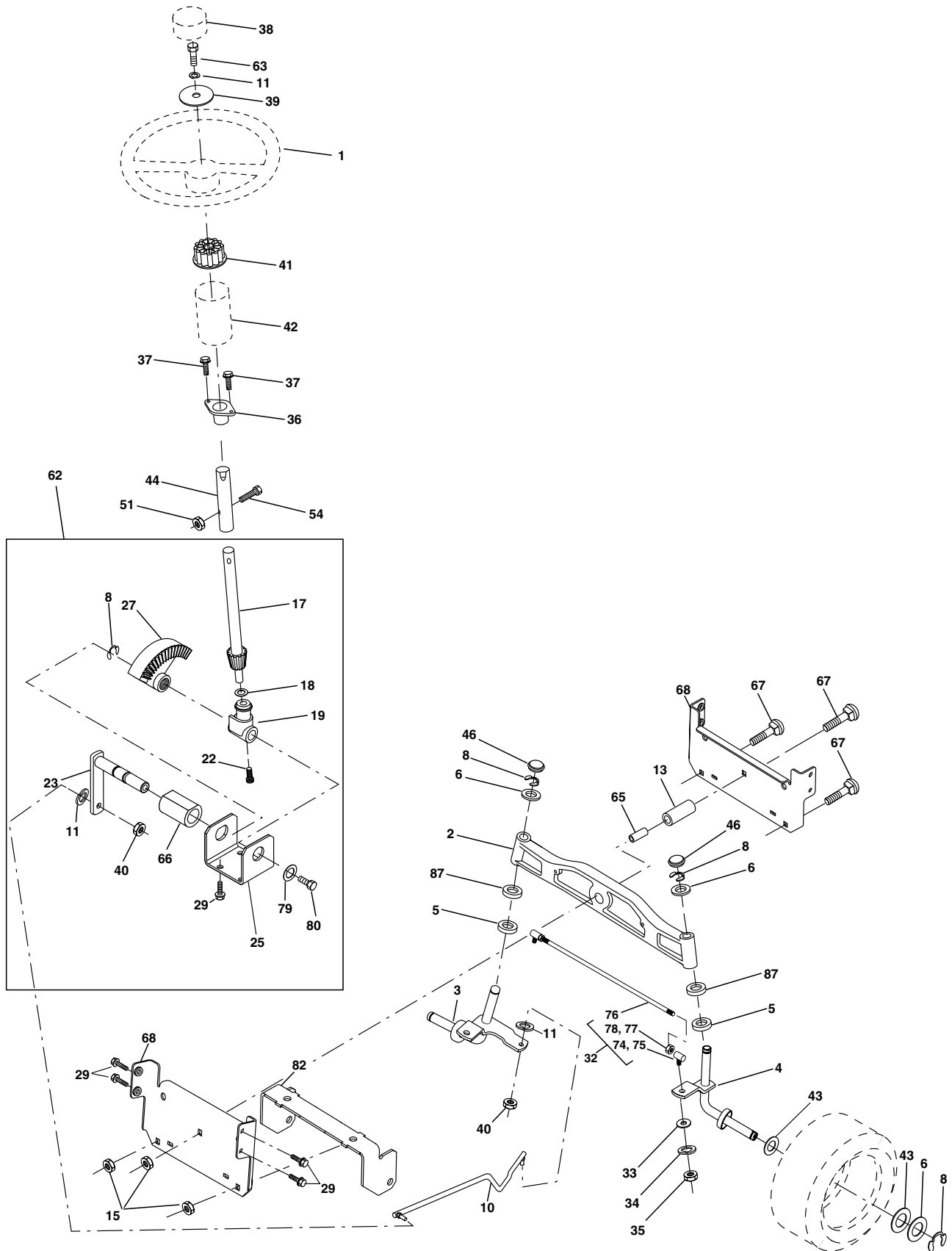
**TRACTOR - MODEL NO. YTH180 (HEYTH180E), PRODUCT NO. 954 17 00-23
DRIVE**

KEY NO.	PART NO.	DESCRIPTION	KEY NO.	PART NO.	DESCRIPTION
1	-----	Transaxle, Hydro Gear 314-0510 (Order Parts From Transaxle Manufacturer)	59	532169691	Keeper, Center Span
8	532165866	Rod Shift Fender	61	817060612	Screw 3/8-16 x 3/4
9	532160889	Clutch Electric	62	532123533	Cover, Pedal
10	876020416	Pin Cotter 1/8 x 1 CAD	63	532145868	Pulley, Engine
14	810040400	Washer Lock Hvy Helical	65	810040700	Washer
15	874490544	Bolt Hex Flghd 5/16-18 Gr. 5	66	532154778	Keeper Belt Engine Hydro
16	873800500	Nut Lock Hex W/Ins. 5/16-18 Unc	71	532169183	Strap Torque Lh Hydro
19	873800600	Nut Lock Hex W/Wsh 3/8-16 Unc	73	532169182	Strap Torque Rh Hydro
20	532150280	Bolt, Hex 7/16-20 x 4-1/4	74	532137057	Spacer, Axle
21	532121274	Knob Duckhead	75	532121749	Washer 25/32 x 1-1/4 x 16 Ga.
22	532169498	Rod, Brake Hydro	76	812000001	E-Ring
23	532171258	Bracket Asm. Anti-Rot EVX	77	532123583	Key, Square
24	873350600	Locknut	78	532121748	Washer 25/32 x 1-5/8 x 16 Ga.
25	532106888	Spring, Brake Rod	81	532165596	Shaft Asm. Cross Hydro
26	819131316	Washer	82	532165711	Spring Torsion T/A
27	876020412	Pin Cotter 1/8 x 3/4 CAD.	83	819171216	Washer 17/32 x 3/4 x 16 Ga.
28	532145204	Rod, Parking Brake	84	532169594	Link Transaxle
29	532071673	Cap, Parking Brake	89	532166510	Console, Shift
30	532169592	Bracket, Transaxle	90	532124346	Nut, Self Thd Wsh Hd 1/4 Zinc
32	874760512	Bolt Hex Hd 5/16-18 Unc x 3/4	95	532170201	Control Asm. Bypass Hydro
33	872140506	Bolt Carriage 5/16-18 UNC x 3/4	96	532124788	Retainer Spring 1" Zinc/Cad
34	532155071	Shaft, Foot Pedal	144	819111016	Washer 11/32 x 5/8 x 16 Ga.
35	532120183	Bearing, Nylon	150	532165850	Bushing Bellcrank Grd Drive
36	819211616	Washer	151	819133210	Washer 13/32 x 2 x 10 Ga.
37	532124963	Pin, Roll	156	532166002	Washer Srrted 5/16ID x 1.125
38	532131494	Pulley, Idler, Flat	158	532165589	Bracket Shift Mount
39	874760644	Bolt	159	532165494	Hub Tapered Flange Shift Lt
40	532124965	Spacer Split	161	872140406	Bolt Rdhd Sqnk 1/4-20 x 3/4 Gr. 5
41	532165838	Keeper, Belt Idler Fool-Proof	162	873680400	Nut Crownlock 1/4-20 Unc
42	819131312	Washer 13/32 x 13/16 x 12 Gauge	163	874780416	Bolt Hex Fin 1/4-20 Unc x 1 Gr. 5
47	532127783	Pulley, Idler, V-Groove	164	819091010	Washer 5/8 x .281 x 10 Ga
48	532154407	Bellcrank Clutch Grnd Drv Stl	165	532165623	Bracket Pivot Lever
49	532123205	Retainer, Belt	166	532166880	Screw 5/16-18 x 5/8
50	874760624	Bolt	168	532165492	Bolt Shoulder 5/16-18 x .561
51	873680600	Nut	169	532165580	Plate Fastening Lt\
52	873680500	Nut Crown Lock 5/16-18	197	532169613	Nyliner Snap-In 5/8" ID
53	532105710	Link, Clutch	198	532169593	Washer Nyliner 7/8 ID x .105
55	532105709	Spring, Return, Clutch	199	532169612	Bolt Shoulder 5/16-18 Unc
56	874760620	Bolt	200	872140508	Bolt Rdhd Sq Neck 5/16-18UNC x 1
57	532140294	V-Belt, Ground Drive	202	872110612	Bolt Carr Sh 3/8-16 x 1-1/2 Gr.5

NOTE:All component dimensions give in U.S. inches.
1 inch = 25.4 mm.

REPAIR PARTS

TRACTOR - MODEL NO. YTH180 (HEYTH180E), PRODUCT NO. 954 17 00-23
STEERING ASSEMBLY



REPAIR PARTS

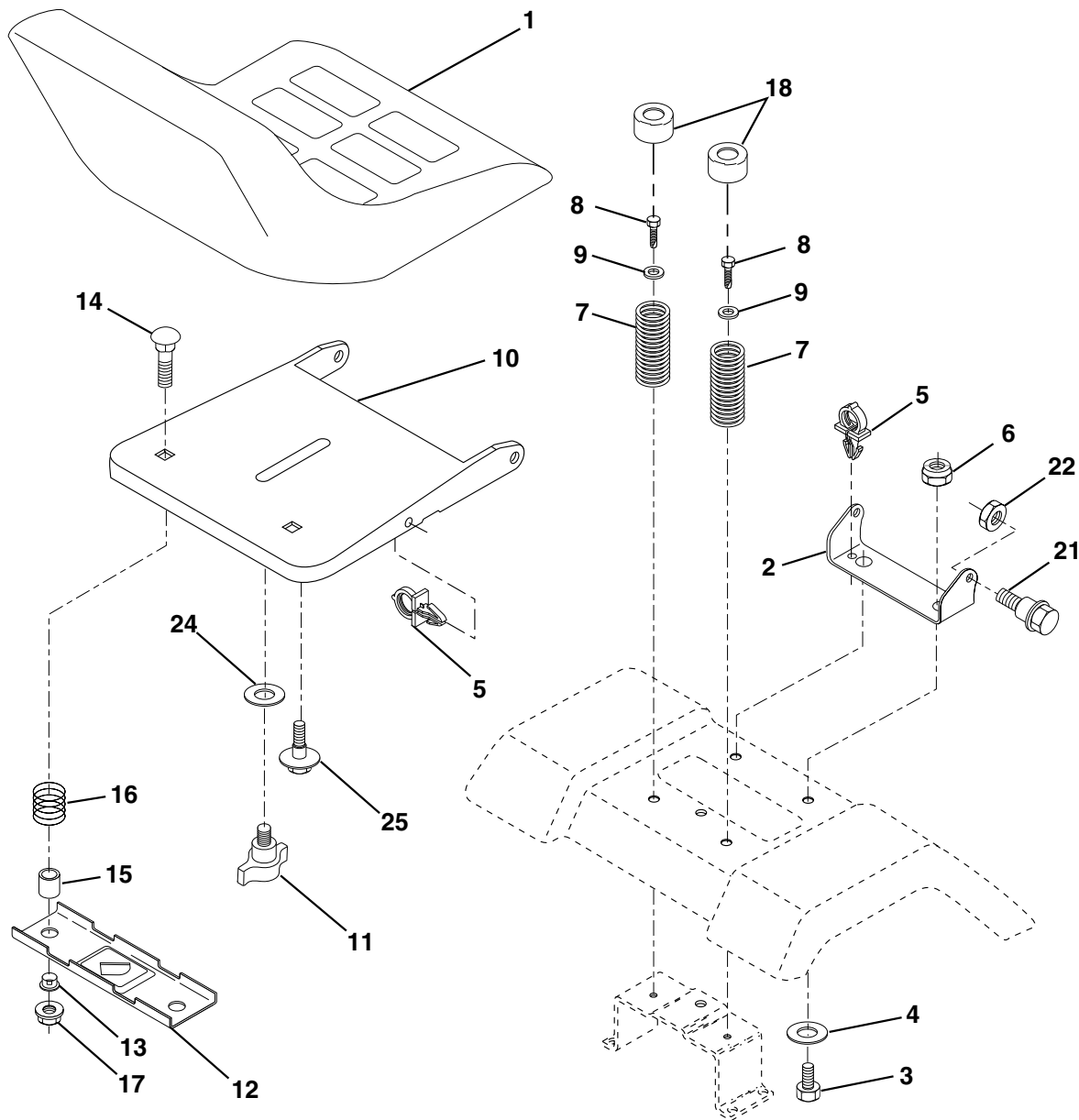
TRACTOR - MODEL NO. YTH180 (HEYTH180E), PRODUCT NO. 954 17 00-23
STEERING ASSEMBLY

KEY NO.	PART NO.	DESCRIPTION
1	532166627	Wheel Steering
2	532172393	Axle
3	532169840	Spindle Asm LH
4	532169839	Spindle Asm RH
5	532124931	Bearing Race Thrust Harden
6	532121748	Washer 25/32 X 1-5/8 X 16 Ga
8	812000029	Ring Klip #t5304-75
10	532169832	Link Drag
11	810040600	Washer Lock Hvy Hlcl Spr 3/8
13	532136518	Spacer Brg Axle Front
15	532145212	Nut Hex Flange Lock
17	532156546	Shaft Asm Strg Private Label
18	532057079	Washer Thrust 515x 750x 033
19	532160395	Support Shaft
22	532165857	Screw Hex Wsh Hd Torx
23	532165851	Shaft Asm Pittman
25	532154406	Bracket Steering
27	532136874	Gear Sector 22 Teeth
29	817060612	Screw 3/8-16x3/4
32	532171888	Rod Tie
33	819111216	Washer 11/32 x 3/4 x 16 Ga.
34	810040500	Washer Lock Hry Hlcl Spr 5/16
35	873540500	Crownlock Nut 5/16 - 24 UNF
36	532155099	Bushing Strg
37	532152927	Screw TT #32.5 x 5 x 3/8 Flange
38	532166626	Cap Wheel Steer
39	819132411	Washer 13/32 x 1-1/20 x 11 Ga
40	532124701	Nut Lock Center 3/8-24 Unf
41	532159945	Adaptor Wheel Strg
42	532169634	Boot Dash Steering
43	532121749	Washer 25/32 X 1 1/4 X 16 Ga
44	532153720	Extension Steering Non-adjust
46	532121232	Cap Spindle Fr Top Blk
51	873800500	Nut Lock Hex W/Ins 5/16-18 UNC
54	874780520	Bolt Fin Hex 5/16-18 UNC x 1-1/4
62	532167902	Steering Assembly
63	874780616	Bolt Fin Hex 3/8-16 UNC x 1 Gr. 5
65	532160367	Spacer Brace Axle
66	532154404	Bearing Arm Pittm-an
67	872140618	Bolt Rdhd Sq 3/8-16 x 2-1/4
68	532169827	Brace, Axle
74	532109850	Joint Asm Ball RH
75	532109851	Joint Asm Ball LH
76	532170257	Rod Tie Link
77	873700600	Nut Hex Jam 3/8-24
78	873360600	Nut Hex Jam 3/8-24
79	819132012	Washer 13/32 x 1-1/4 x 12 Ga.
80	874950612	Bolt Hex Nylon 3/8-16 x 3/4
82	532169835	Bracket Susp Chassis Front
87	532173966	Washer Flat .781 x 1-1/2 x .14

NOTE: All component dimensions given in U.S. inches
1 inch = 25.4 mm.

REPAIR PARTS

TRACTOR - MODEL NO. YTH180 (HEYTH180E), PRODUCT NO. 954 17 00-23 SEAT ASSEMBLY



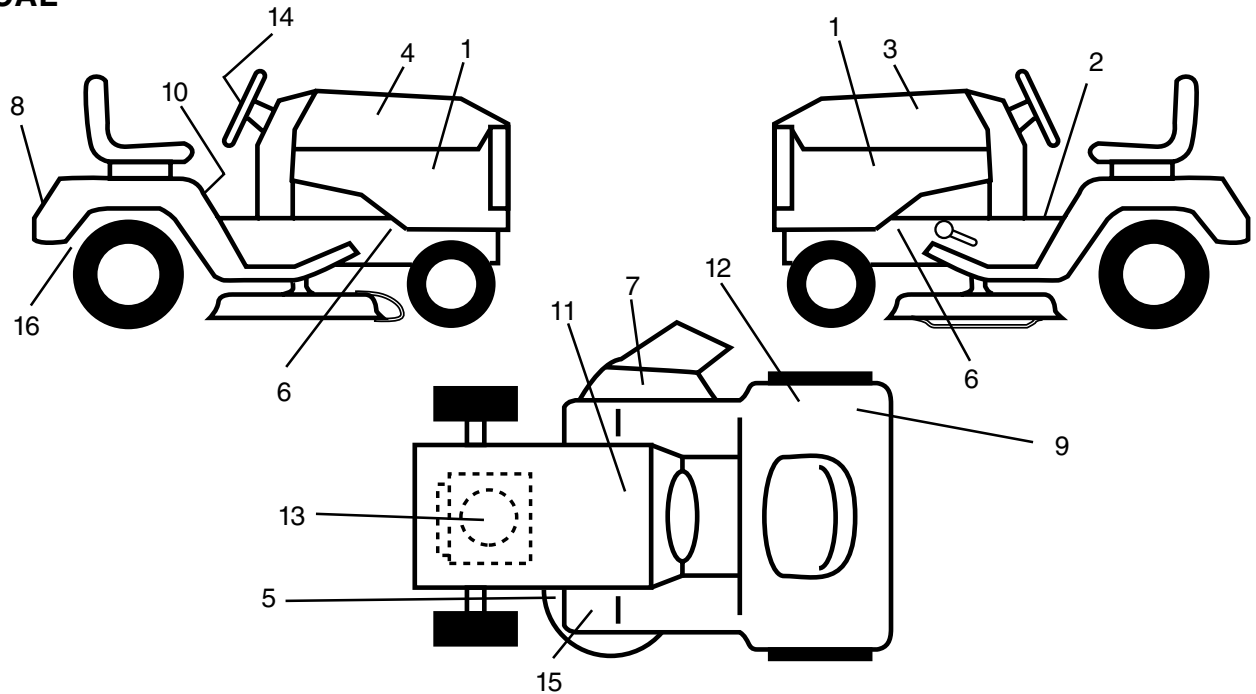
KEY NO.	PART NO.	DESCRIPTION
1	532140840	Seat
2	532140551	Bracket Pivot Seat 8 720
3	871110616	Bolt Hex 3/8-16unc x 1
4	819131610	Washer 13/32 X 1 X 10 Ga
5	532145006	Clip Push-In Hinged
6	873800600	Nut Lock Hex w/Ins. 3/8-16 Unc
7	532124181	Spring Seat Cprsn 2 250 Blk Zi
8	817000616	Screw 3/8-16 X 1-1/2
9	819131614	Washer 13/32 X 1 X 14 Ga
10	532174894	Pan Seat
11	532166369	Knob Seat
12	532121246	Bracket Mounting Switch

KEY NO.	PART NO.	DESCRIPTION
13	532121248	Bushing Snap Blk Nyl 50 Id
14	872050412	Bolt Rdhd Sht Nk 1/4-20x1-1/2
15	532121249	Spacer Split 28x 88 Zinc
16	532123740	Spring Cprsn 1 310 Blk Pnt
17	532123976	Nut Lock 1/4 Lge Flg Gr 5 Zinc
18	532124238	Cap Spring Seat
21	532171852	Bolt Shoulder 5/16-18 Unc-2A
22	873800500	Nut Lock Hx w/Ins 5/16-18 Unc PL
24	819171912	Washer 17/32 X 1-3/16 X 12 Ga
25	532127018	Bolt Shoulder 5/16-18 X 62

NOTE: All component dimensions given in U.S. inches
1 inch = 25.4 mm.

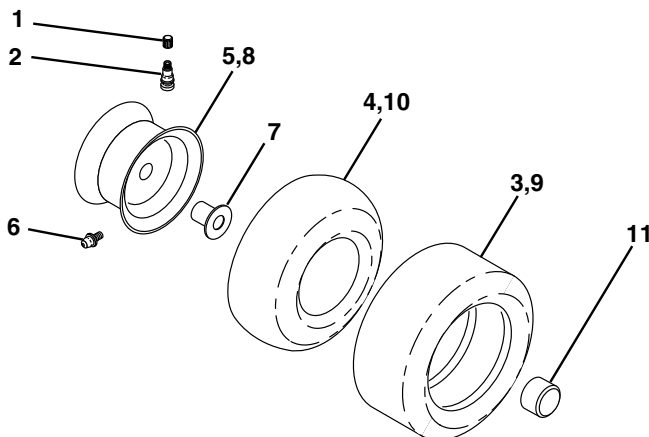
REPAIR PARTS

TRACTOR - MODEL NO. YTH180 (HEYTH180E), PRODUCT NO. 954 17 00-23
DECAL



KEY NO.	PART NO.	DESCRIPTION	KEY NO.	PART NO.	DESCRIPTION
1	532159713	Decal, Pnl Side B&S	14	532170564	Decal, Wheel Steering
2	532140837	Decal, Brake Parking Sandle	15	532159737	Decal, Brake/Clutch Symbol
3	532150728	Decal, Hood, L. H.	16	532162598	Decal Drawbar Load Limit
4	532150727	Decal, Hood, R.H.	--	532169210	Decal By Pass Lt Hydro
5	532160396	Decal, V-Belt Sch.	--	532138311	Decal, Handle Lift Height Adjust. (Lift Handle)
6	532159736	Decal, Chassis Hot Muffler	--	532171284	Pad, Footrest LH
7	532145494	Decal, Mower Cuffinger Symbol	--	532171285	Pad, Footrest RH
8	532150617	Decal, Logo, Fender	--	532176151	Manual, Operator's (Euro)
9	532126187	Decal, 100 DBA	--	532176152	Manual, Operators, (Scan)
10	532145498	Decal, Read Owners Manual	Available accessories not included with tractor:		
11	532145005	Decal, Bat Dan/Poi P/L Sym	--	C42	42" Bagger
12	532145437	Decal, Europe Stand. CE Syms	--	MK420	Kit Mulcher w/Blades
13	532170850	Decal Engine			

WHEELS & TIRES

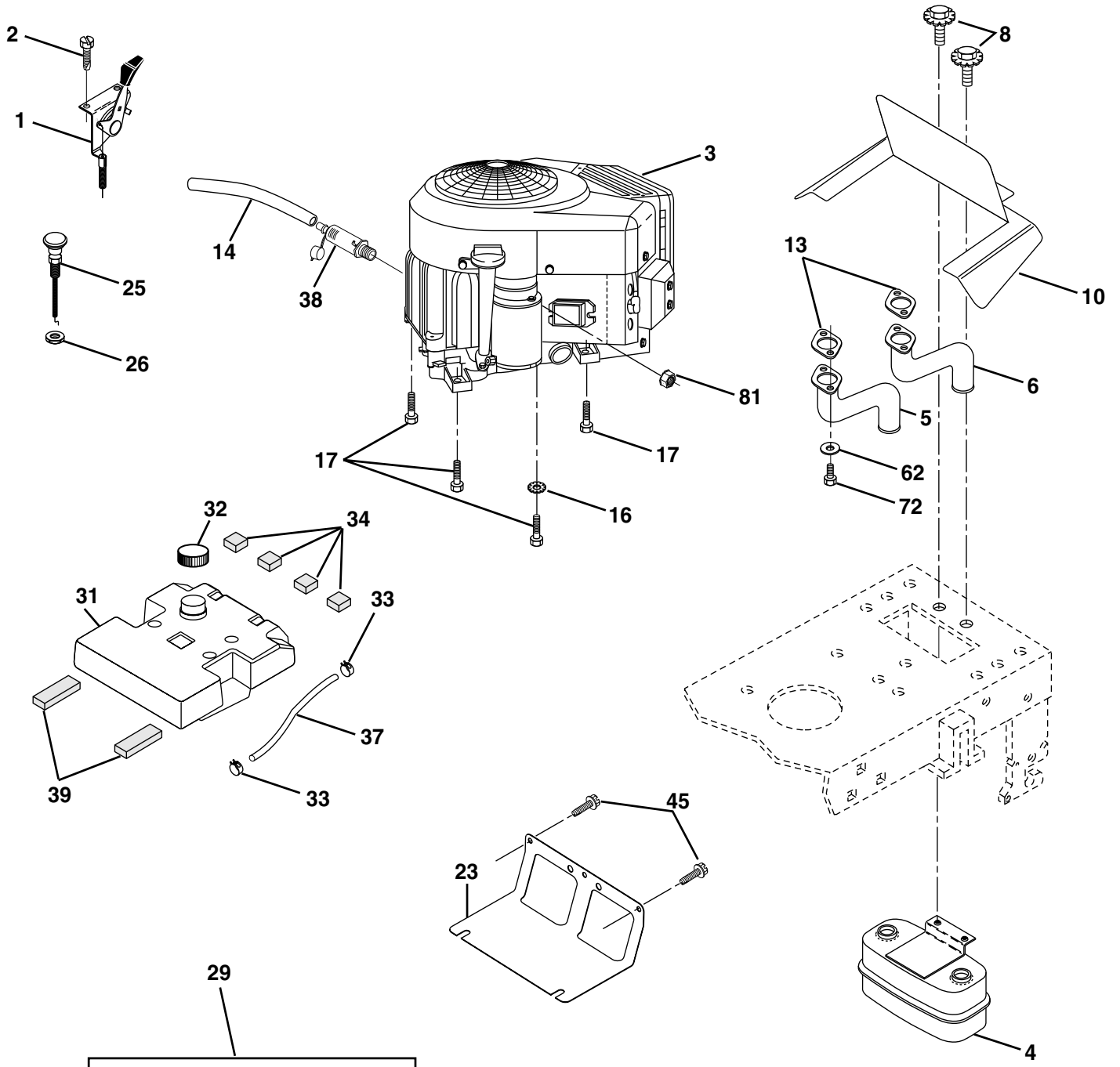


KEY NO.	PART NO.	DESCRIPTION
1	532059192	Cap Valve Tire
2	532065139	Stem Valve
3	532106222	Tire F Ts 15 X 6 0 - 6 Service
4	532059904	Tube Front (Service Item Only)
5	532138336	Rim Asm 6"front Silver Service
6	532124957	Fitting Grease (Front Wheel Only)
7	532124959	Bearing Flange (Front Wheel Only)
8	532138337	Rim Asm 8"rear Silver Service
9	532122082	Tire R Ts 20x10-8 C Service
10	532124926	Tube Rear (Service Item Only)
11	532175039	Cap Axle Blk 1 50 X 1 00
--	532144334	Sealant, Tire (10 oz. tube)

NOTE: All component dimensions given in U.S. inches
 1 inch = 25.4 mm

REPAIR PARTS

TRACTOR - MODEL NO. YTH180 (HEYTH180E), PRODUCT NO. 954 17 00-23
ENGINE



OPTIONAL EQUIPMENT
Spark Arrester

REPAIR PARTS

TRACTOR - MODEL NO. YTH180 (HEYTH180E), PRODUCT NO. 954 17 00-23
ENGINE

KEY NO.	PART NO.	DESCRIPTION
1	532170771	Control, Throttle
2	817720410	Screw, Hex Head, Thread Cutting 1/4-20 x 5/8
3	-----	Engine, B&S Model Number 407777 (Order Parts From Engine Manufacturer)
4	532149723	Muffler
5	532159955	Tube, Manifold, LH
6	532160589	Tube, Manifold, RH
8	532171877	Bolt 5/16-18 UNC x 3/4 w/Sems
10	532162797	Shield, Browning B&S Intek II
13	532165391	Muffler Gasket (Order from Engine Manufacturer)
14	532148456	Tube Drain Oil Easy
16	811050600	Washer, Lock, External Tooth 3/8
17	817490624	Screw Thdrol 3/8-16 x 1-1/2
23	532169837	Shield, Browning / Debris Guard
25	532145996	Choke Control
26	873920600	Nut, Keps 3/8-24 UNF
29	532137180	Kit, Spark Arrestor
31	532157103	Tank Fuel 3 50 Rear
32	532140527	Cap Asm Fuel W/sym Vented
33	532123487	Clamp, Hose
34	532106082	Pad, Spacer
37	532124923	Line, Fuel
38	532148315	Plug Drain Oil Easy
39	532109227	Pad, Idler
45	817000612	Screw Hexwash Thdr
62	810040500	Washer, Lock 5/16 (Order from engine mfg.)
72	871070512	Screw, Hex Socket Head 5/16-18 x (Order from engine mfg.)
81	873510400	Nut, Keps Hex 1/4-20 UNC

NOTE: All component dimensions given in U.S. inches
1 inch = 25.4 mm

REPAIR PARTS

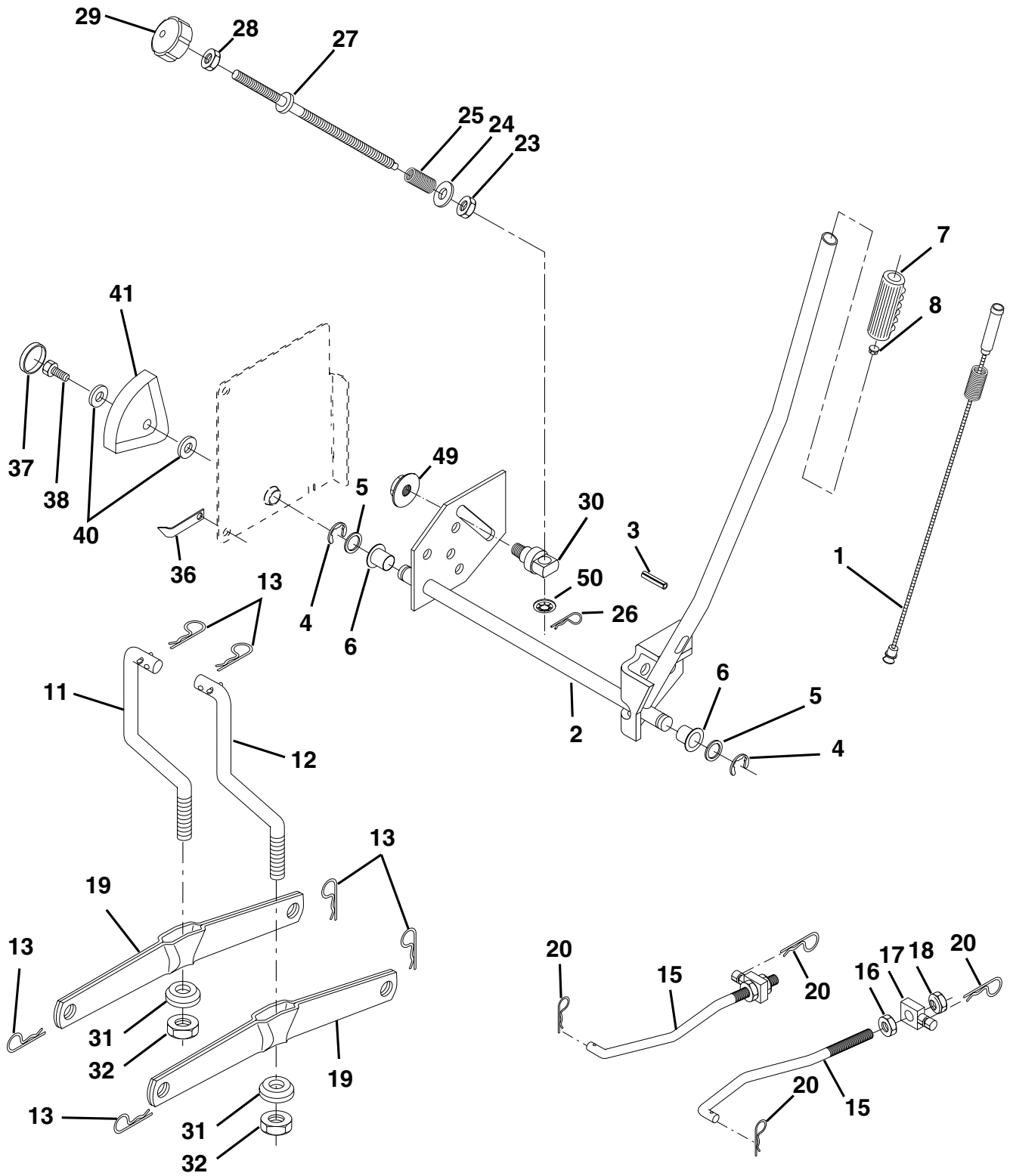
TRACTOR - MODEL NO. YTH180 (HEYTH180E), PRODUCT NO. 954 17 00-23
MOWER DECK

KEY NO.	PART NO.	DESCRIPTION	KEY NO.	PART NO.	DESCRIPTION
1	532165892	Housing Asm Mower 42"94 T-Path	56	532165723	Spacer Retainer Mower
2	872140506	Bolt Rdhd Sqnk 5/16-18unc X3/4	59	532141043	Guard, Belt
3	532138017	Bracket Asm Fr Sway Bar 38/42	61	532174882	Spring Ext. Elect
4	532165460	Bracket Asm Deck 42"sway Bar	68	532144959	V-Belt Mower
5	532124670	Retainer Spring	90	874760616	Bolt Fin Hex 3/8-16unc X 1
6	532130832	Arm Suspension Rear	91	532132274	Bracket Asm Noseroller LH
8	532850857	Bolt 3/8-24x1 25 Gr8 Patched	92	873800600	Nut Lock Hex w/ins. 3/8-16 UNC
9	810030600	Washer Lock Hvy 3/8 Unplated	93	819171416	Washer 17/32 X 7/8 X 16 Ga
10	532140296	Washer Hard Blade Mower Vented	94	532132264	Roller Nose 38 & 42
11	532138498	Blade Mower High Lift"	95	532132273	Bracket Asm Noseroller RH
13	532137645	Shaft Asm W/lower Bearing	111	532155197	Bracket Gauge Wheel Lh
14	532128774	Housing Mandrel Vented(machd)	112	532155198	Bracket Gauge Wheel Rh
15	532110485	Bearing Ball Mandrel	113	817060514	Screw 5/16-18
16	532140329	Stripper Round Mower	114	873510500	Nut Keps 5/16-18 UNC
18	872140505	Bolt Carr 5/16-18 X 5/8	115	872110504	Bolt Carriage 5/16-18unc x 1/2
19	532132827	Bolt Shoulder	116	532124842	Bolt Shoulder
20	532159770	Baffle Vortex 42	117	532165746	Wheel Gauge
21	873680500	Nut Crown Lock 5/16-18	118	873930600	Nut Centerlock 3/8-16 UNC
22	532134753	Stiffener Bracket 42"deck	119	819121414	Washer 3/8 x 7/8 x 14 Ga.
23	532131267	Bracket Deflector Mower 42"	121	532143723	Bracket Extruded Gauge Wheel
24	532105304	Cap Sleeve 80x 112 Blk Mower	129	819131312	Washer 13/32 x 13/16 x 12 Ga.
25	532123713	Spring Torsion Deflector 2 52	130	874780616	Bolt Fin Hex 3/8-16 UNC x 1 Gr. 5
26	532110452	Nut Push Phos & Oil	131	872140608	Bolt Rdhd Sqnk 3/8-16 UNC x1
27	532171859	Shield Deflector	143	532157109	Bracket Arm Idler
28	819111016	Washer 11/32 X 5/8 X 16 Ga	144	532158634	Keeper Belt
29	532131491	Rod Hinge 42"6 75 Wlg	145	532165888	Pulley Idler Flat
30	532157722	Screw Thd Rolling Washer Head	146	532171977	Bolt Carriage Idler
31	532129963	Washer Spacer Mower Vented	148	532169022	Spring Return Idler
32	532153535	Pulley Mandrel	149	532165898	Retainer Spring Yellow
33	532137266	Nut 9/16top Lock Fling Cntr	150	819091216	Washer 9/32 x 3/4 x 16
34	872110614	Bolt RDHD 3/8-16 x 1-3/4	159	872140614	Bolt RDHD Sqn 3/8-16 x 1-3/4
35	532133835	Fastner Christmas Tree	--	532176207	Deck Serv 42" Elec Vent (Standard Deck - Order Nose Roller, Gauge Wheel and Mulcher Plate components separately Key Nos. 90-95, 101-106 and 111-121)
36	532131494	Pulley Idler Flat 3 060			
37	819131316	Washer 13/32 X 13/16 X 16 Ga			
40	873680600	Nut Lock 3/8-16 Unc			
44	532140088	Guard Mandrel LH Black			
45	532124788	Retainer Spring	--	532130794	Mandrel Assembly (Includes Key Numbers 8-10, 12-15, 31 and 33)
46	532137729	Screw Thdrol 1/4-20x5/8			
54	532133943	Washer Hardened			
55	532155046	Arm Idler 42"mower LT/YT			

NOTE: All component dimensions given in U.S. inches
1 inch = 25.4 mm

REPAIR PARTS

TRACTOR - MODEL NO. YTH180 (HEYTH180E), PRODUCT NO. 954 17 00-23
MOWER LIFT



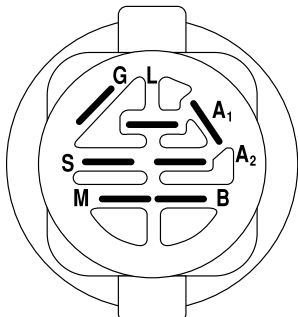
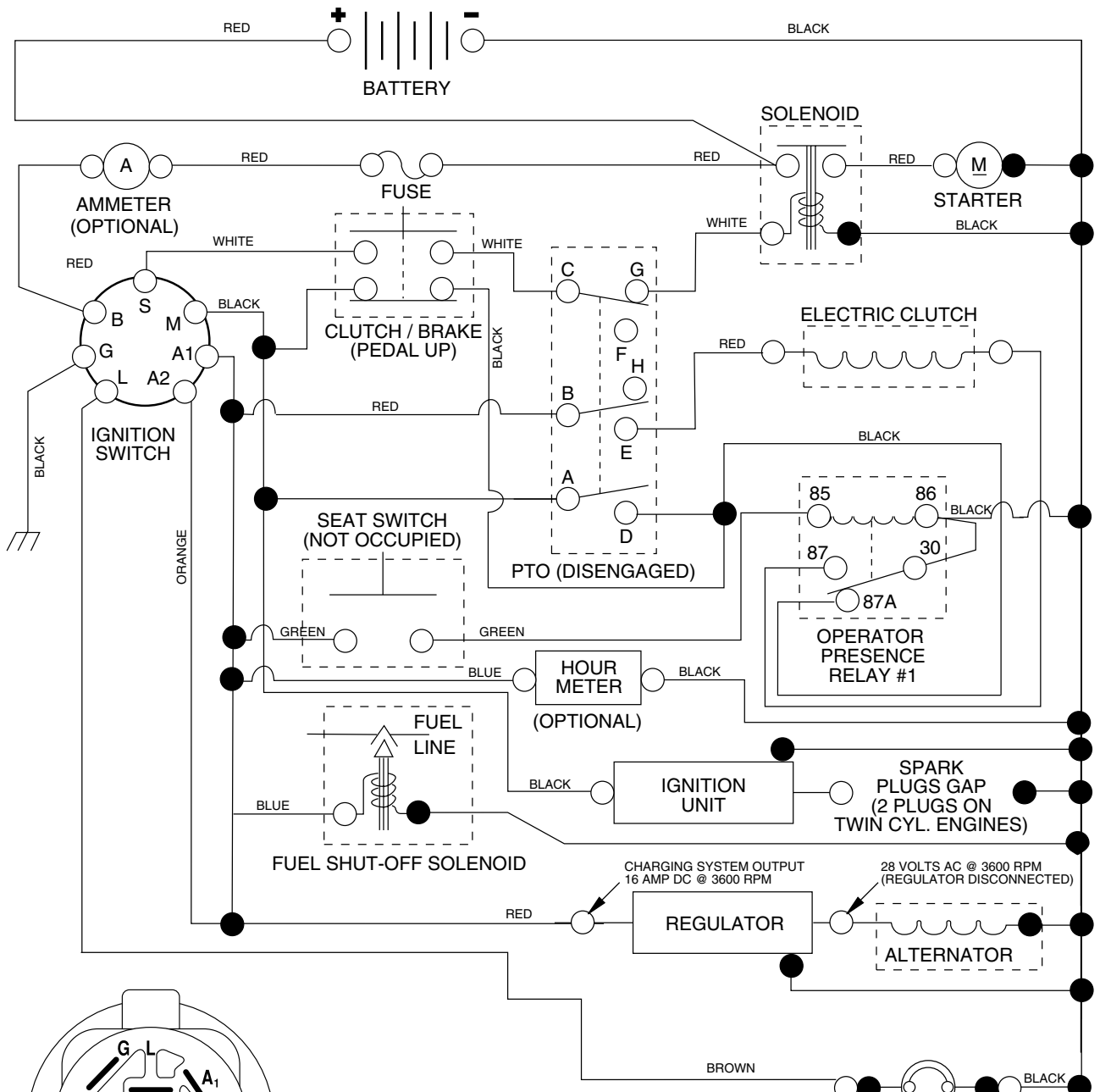
REPAIR PARTS

TRACTOR - MODEL NO. YTH180 (HEYTH180E), PRODUCT NO. 954 17 00-23
MOWER LIFT

KEY NO.	PART NO.	DESCRIPTION
1	532159460	Wire Asm Inner/Sprg w/plngr LT
2	532159471	Shaft Asm Lift
3	532105767	Pin Groove
4	812000002	E Ring #5133-62
5	819211621	Washer 21/32 X 1 X 21 Ga.
6	532120183	Bearing Nylon Blk 629 Id
7	532125631	Grip Handle
8	532124526	Button Plunger Black
11	532139865	Link Lift LH Mower
12	532139866	Link Lift RH Mower
13	532124670	Retainer Spring
15	532173288	Link Front
16	873350800	Nut Jam Hex 1/2-13 Unc
17	532130171	Trunnion Blk Zinc
18	873800800	Nut Lock w/wsh 1/2-13 Unc
19	532139868	Arm Suspension Rear
20	532163552	Retainer Spring
23	532110807	Nut Special
24	819131016	Washer 13/32 x 5/8 x 16 Ga.
25	532124874	Spring 2-1/8"
26	532169484	Retainer Clip
27	532126971	Rod Adj Lift
28	873350600	Nut Hex Jam 3/8-16 UNC
29	532138057	Knob Inf 3/8-16 UNC
30	532150233	Trunnion Inf. Height
31	532169865	Bearing PT Lift
32	873540600	Nut Crownlock 3/8-24
36	532155097	Pointer Height Ind
37	532123935	Plug Hole
38	817060516	Screw 5/16-18 x 1
40	819112410	Washer 11/32 x 1-1/2 x 10 Ga.
41	532155098	Ind Height STLT
49	532145212	Nut, Hex Flange Lock
50	532110452	Nut, Push

NOTE: All component dimensions given in U.S. inches
1 inch = 25.4 mm

TRACTOR - MODEL NO. YTH180 (HEYTH180E), PRODUCT NO. 954 17 00-23 SCHEMATIC



IGNITION SWITCH

POSITION	CIRCUIT	"MAKE"
OFF	M+G+A1	NONE
RUN/LIGHT	B+A1	A2+L
RUN	B+A1	NONE
START	B + S + A1	NONE

WIRING INSULATED CLIPS

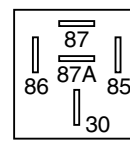
NOTE: IF WIRING INSULATED CLIPS WERE REMOVED FOR SERVICING OF UNIT, THEY SHOULD BE REPLACED TO PROPERLY SECURE YOUR WIRING.

PTO SWITCH

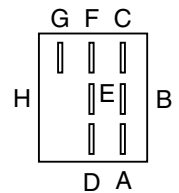
POSITION	CIRCUIT
OFF	C + G, B + H
ON	C + F, B + E, A + D

● NON-REMOVABLE CONNECTIONS

○ REMOVABLE CONNECTIONS



RELAY



RELAY #1