

CRT51

Spare parts

Ersatzteile

Pièces détachées

Reserve onderdelen

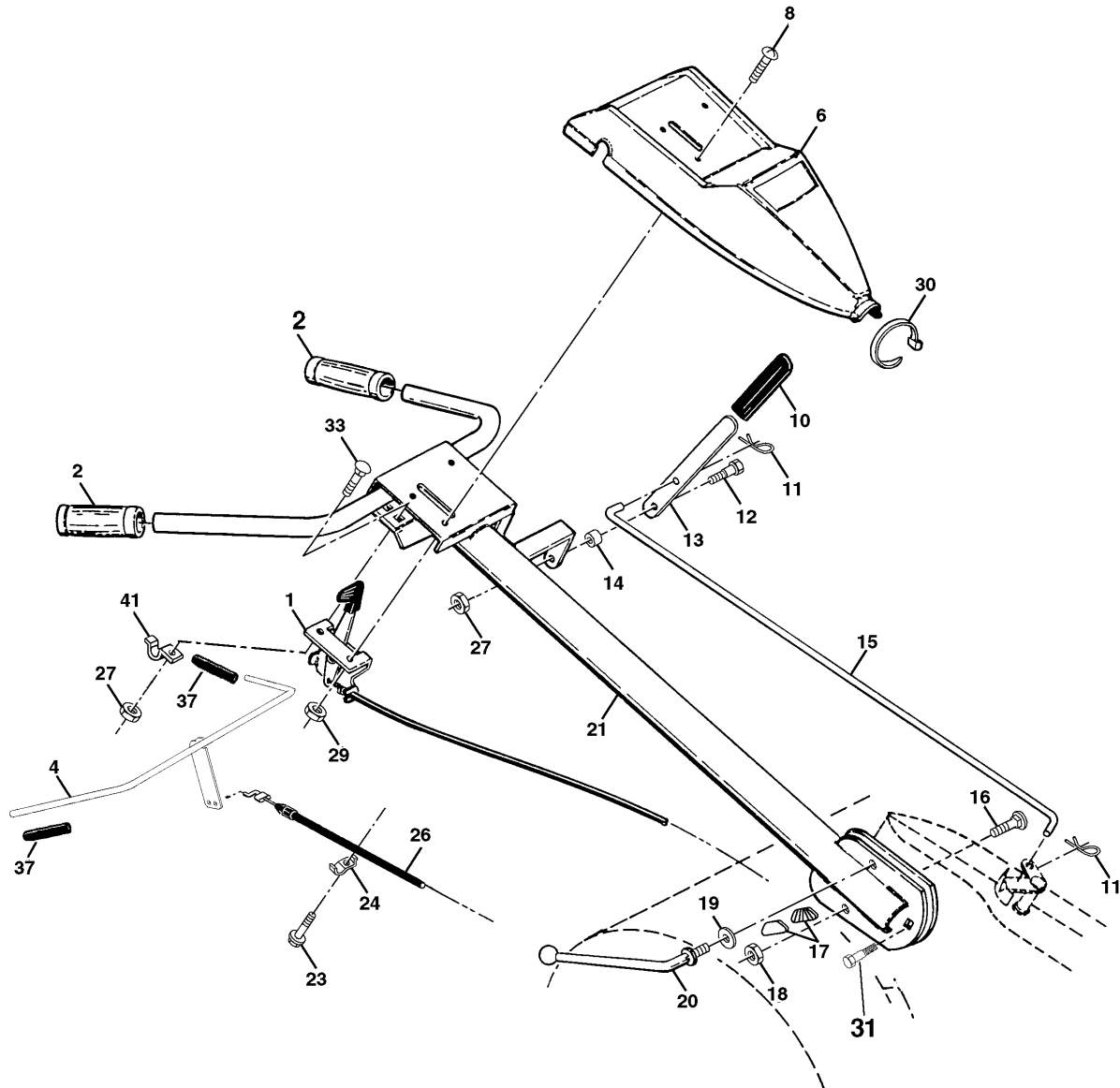
Repuestos

Reservdelar

REPAIR PARTS

TILLER - - MODEL NUMBER CRT51 (HECRT51H)

HANDLE ASSEMBLY



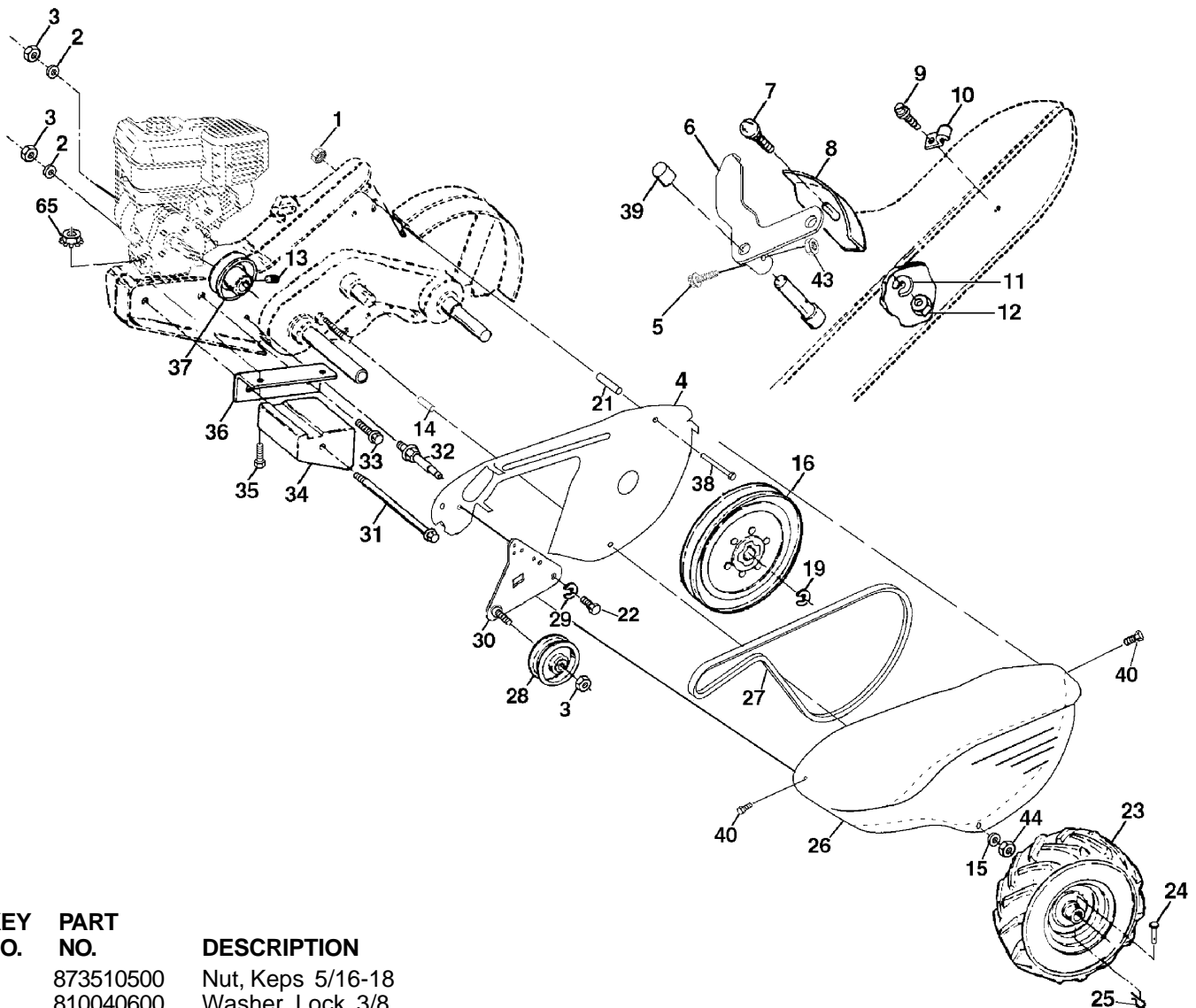
KEY NO.	PART NO.	DESCRIPTION	KEY NO.	PART NO.	DESCRIPTION
1	532175250	Control, Throttle	20	532109228	Lever, Lock, Handle
2	532009266	Grip, Handle	21	532150256	Handle
4	532159228	Bar Assembly, Control	23	532086777	Screw, Hex Washer SLT #10-24 x .50
6	532126956	Panel, Control	24	532009484	Clip
8	871191008	Screw, Truss Hd. #10-24 UNC x 1/2	26	532159231	Cable, Clutch
10	532124797	Grip, Handle	27	873900400	Nut, Hex Flange 1/4-20 UNC
11	532124788	Clip, Hairpin	29	873731000	Nut, Keps #10-24 UNC
12	532081328	Bolt, Shoulder	30	532104164	Tie, Cable
13	532109335	Handle, Shift	31	532150696	Bolt, Pivot
14	532109313	Grommet, Rubber	33	872140404	Bolt, Carriage 1/4-20 UNC x 1/2
15	532109337	Rod, Shift	37	532102604	Grip, Bar, Control
16	872110608	Bolt, Carriage 3/8-16 x 1 Gr. 5	41	532102744	Clamp, Bar, Control
17	532109229	Lock, Handle			
18	873680600	Nut, Crownlock 3/8-16 UNC			
19	819131611	Washer 13/32 x 1 x 11 Ga.			

NOTE: All component dimensions given in U.S. inches.
1 inch = 25.4 mm

REPAIR PARTS

TILLER - - MODEL NUMBER CRT51 (HECRT51H)

MAINFRAME, LEFT SIDE



KEY NO.	PART NO.	DESCRIPTION
1	873510500	Nut, Keps 5/16-18
2	810040600	Washer, Lock 3/8
3	873220600	Nut, Hex 3/8-16
4	532170127	Shield, Inner Belt Guard RT
5	532154734	Screw, Shift Lever
6	532110111	Lever, Shift
7	872110404	Bolt, Carriage 1/4-20 x 1/2 Gr. 5
8	532008700	Plate, Shift Indicator
9	532170488	Screw, Hex, Washer Head, Slotted #10-24 x 1/2
10	532009484	Clip
11	810040400	Washer, Lock 1/4
12	873220400	Nut, Hex 1/4-20
13	823230506	Screw, Set, Hex 5/16-18 x 3/8
14	532156117	Spacer, Split 0.327 x 0.42 x 1.220
15	819111116	Washer 11/32 x 11/16 x 16 Ga.
16	532145102	Sheave, Transmission
19	812000028	Ring, Retainer
21	532110652	Spacer, Split 0.327 x 0.42 x 2.09
22	874770508	Bolt, Fin Hex 5/16-24 x 1/2
23	532005015	Tire
	532124366	Rim
	532124718	Tire Valve
24	532126875	Rivet, Drilled

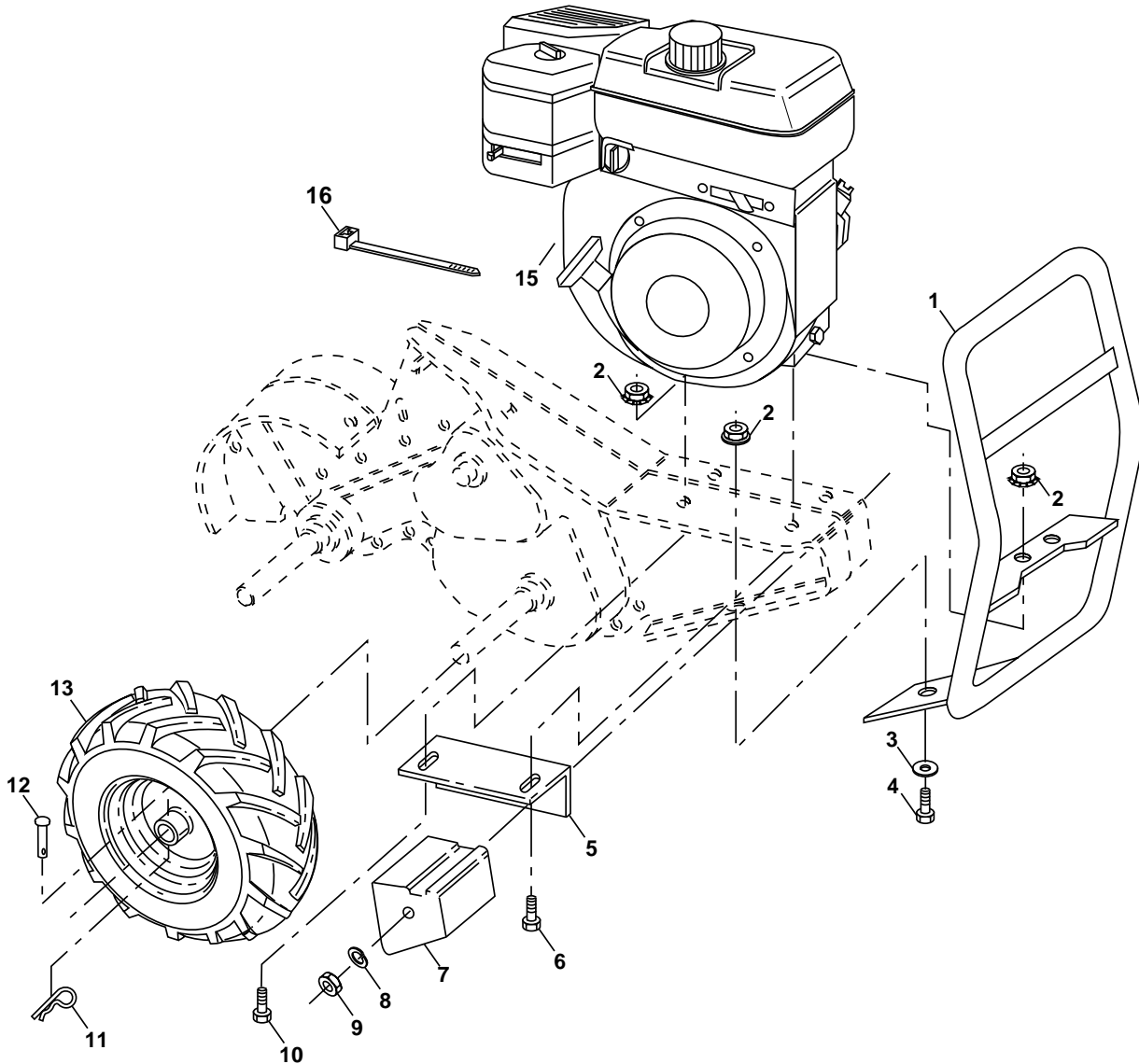
KEY NO.	PART NO.	DESCRIPTION
25	532124788	Clip, Hairpin
26	532166792	Guard, Belt
27	532132801	Belt, V
28	532104679	Pulley, Idler
29	812000032	Ring, Klip
30	532159229	Bracket, Idler
31	532102384	Bolt, Hex 5/16-16 x 12
32	532102141	Shaft, Idler Arm
33	874760616	Bolt, Hex 3/8-16 x 1
34	532102383	Counterweight, L. H.
35	874760532	Bolt, Hex 5/16-18 x 2
36	532102331	Bracket, Reinforcement, L. H.
37	532130812	Sheave, Engine
38	874760544	Bolt, Fin Hex 5/16-18 x 2-3/4
39	532140062	Cap Plunger
40	532170488	Screw Hex Washer Hd #8-18 x 1/2
43	532069180	Nut, Lock #10-24
44	873800500	Nut, Lock Hex w/Insert 5/16-18UNC

NOTE: All component dimensions given in U.S. inches.
1 inch = 25.4 mm

REPAIR PARTS

TILLER - - MODEL NUMBER CRT51 (HECRT51H)

MAINFRAME, RIGHT SIDE



KEY NO.	PART NO.	DESCRIPTION
1	532166532	Bumper
2	873970500	Nut, Lock Hex Flange
3	819111116	Washer 11/32 x 11/16 x 16 Ga.
4	874760512	Bolt Hex Hd 5/16-18 x 3/4
5	532102332	Bracket, Reinforcement
6	874760532	Bolt, Hex 5/16-18 x 2
7	532102173	Counter Weight, R.H.
8	810040600	Washer, Lock 3/8
9	873220600	Nut, Hex 3/8-16
10	874760524	Bolt, Hex 5/16-18 x 1-1/2
11	532124788	Clip, Hairpin

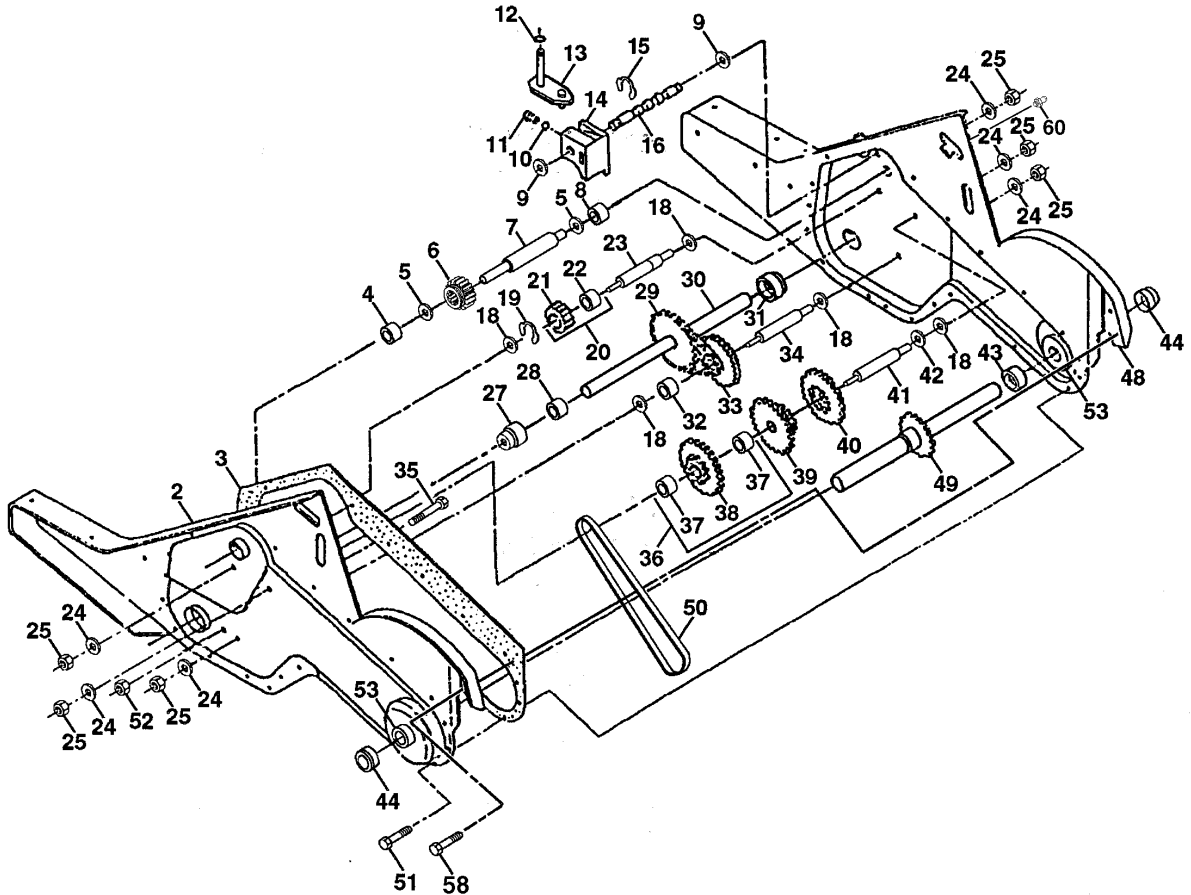
KEY NO.	PART NO.	DESCRIPTION
12	532126875	Rivet, Drilled
13	532005015	Tire
	532124366	Rim
	532124718	Tire Valve
15	-----	Engine, Briggs Model No. 110402 (Order parts from Engine Manufacturer)
16	7192J	Tie Cable

NOTE: All component dimensions given in U.S.inches.
1 inch = 25.4 mm

REPAIR PARTS

TILLER - - MODEL NUMBER CRT51 (HECRT51H)

TRANSMISSION



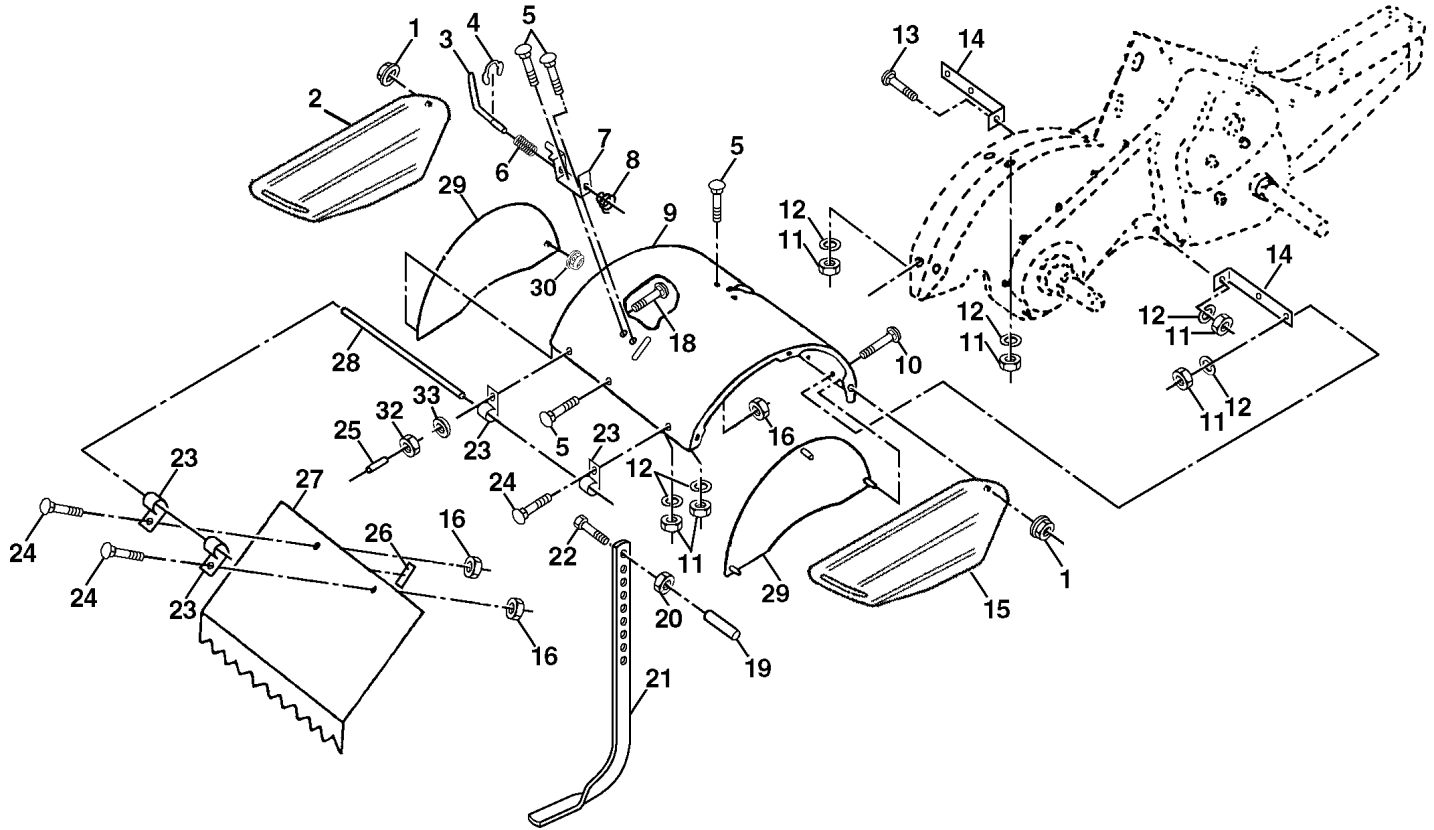
KEY NO.	PART NO.	DESCRIPTION	KEY NO.	PART NO.	DESCRIPTION
1	532170337	Transmission Assembly (Includes Key Nos. 2-53)	29	532102134	Chain #35-50 Pitch
2	532165729	Gearcase, L.H. w/Bearing (Includes Key No. 4)	30	532150737	Ground Shaft Assembly
3	532161963	Gasket, Gearcase	31	532143008	Bearing, Shaft, Ground Drive R.H.
4	532005020	Bearing, Needle	32	532106388	Spacer 0.70 x 1.00 x 1.150
5	532001370	Washer, Thrust 5/8 x 1.10 x 1/32	33	532102121	Sprocket and Gear Assembly
6	532137335	Pinion, Input	34	532102112	Shaft, Reduction (2nd)
7	532145101	Shaft, Input	35	532102101	Screw, Whiz, Lock 5/16-18 x 3-1/2
8	532124792	Bearing, Needle	36	532154355	Sprocket Assembly w/Bearing (Includes Key Nos. 37 and 38)
9	532154467	Washer, Seal	37	532124791	Bearing, Needle
10	532124697	Ball, Steel	38	532154356	Sprocket, Tine
11	532100371	Spring, Shift, Fork	39	532105345	Gear, Cluster, Red 1st & 2nd
12	532106160	O-Ring	40	532105346	Gear, Reverse
13	532142145	Bracket, Asm. Shift CRT	41	532008358	Shaft, Reduction (1st)
14	532008353	Fork, Shift	42	532004220	Washer, Thrust
15	812000039	Ring, Klip	43	532106146	Spacer 1.01 x 1.75 x 0.760
16	532154466	Shaft, Shift	44	532155236	Seal, Asm Oil
18	532004358	Washer	48	532170338	Gearcase, R.H. w/Bearing (Includes Key No. 8)
19	812000040	Ring, Klip	49	532132688	Shaft, Tine
20	532102114	Gear, Assembly, Reverse Idler (Includes Key Nos. 21 and 22)	50	532106147	Chain, Roller #50-50 Pitch
21	532102115	Gear, Reverse Idler	51	817720408	Screw, Thd Cut 1/4-20 x 1/2
22	532006803	Bearing, Needle	52	873220500	Nut, Hex 5/16-18
23	532102111	Shaft, Reverse Idler	53	532165140	Kit Bearing
24	810040700	Washer, Lock 7/16	58	817720412	Screw, Thd Cut 1/4-20 x 3/4
25	873610700	Nut, Hex 7/16-20	60	532124836	Fitting, Grease
27	532143009	Bearing, Shaft, Ground Drive L.H.	--	532006066	Grease, Plastilube #1
28	532106390	Spacer 0.765 x 1.125 x 1.23			

NOTE: All component dimensions given in U.S. inches.
1 inch = 25.4 mm

REPAIR PARTS

TILLER - - MODEL NUMBER CRT51 (HECRT51H)

TINE SHIELD



KEY NO.	PART NO.	DESCRIPTION
1	873900500	Nut, Lock Hex Flange 5/16-18
2	532162952	Shield, Side, Outer L. H.
3	532008393	Pin, Stake, Depth
4	812000036	Ring, Klip
5	872140506	Bolt, Carriage 5/16-18 x 3/4 Gr 5
6	532008394	Spring
7	532008392	Bracket, Latch
8	532109230	Spring, Depth Stake
9	532142292	Shield, Tine
10	872140508	Bolt, Carriage 5/16-18 x 1
11	873220500	Nut, Hex 5/16-18
12	810040500	Washer, Lock 5/16
13	872110510	Bolt, Carriage 5/16-18 x 1-1/4
14	532124311	Bracket, Shield Tine
15	532162953	Shield, Side, Outer R.H.
16	873900400	Nut, Flange Hex 1/4-20 UNC
18	872040410	Bolt, Carriage 1/4-20 x 1-1/4 r. 5

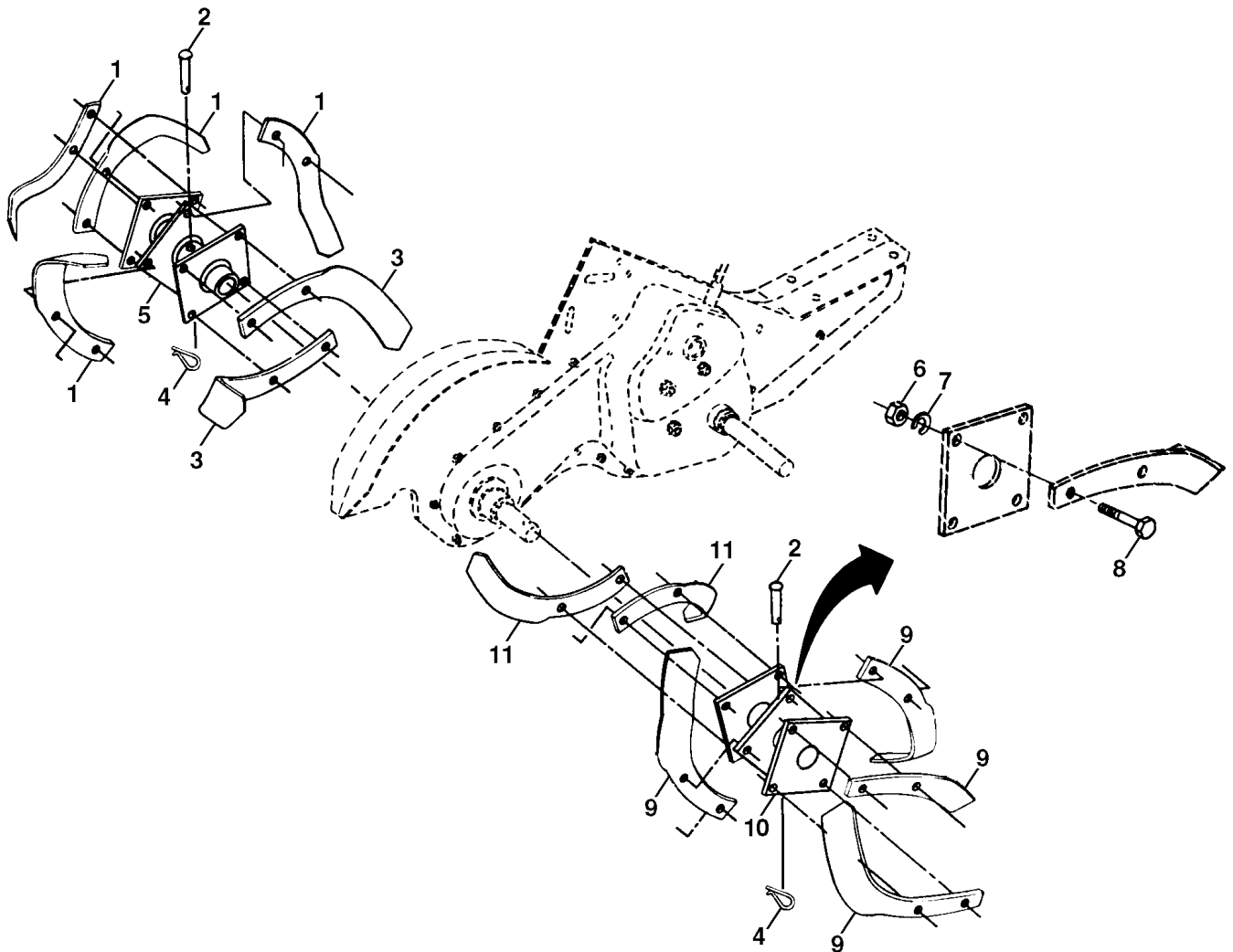
KEY NO.	PART NO.	DESCRIPTION
19	532102701	Grip
20	873220600	Nut, Hex 3/8-16
21	532102156	Stake, Depth
22	874930632	Bolt, Hex 3/8-16 x 2
23	532004440	Hinge
24	872140404	Bolt, Carriage 1/4-20 x 1/2 Gr.
25	532124717	Cap, Vinyl
26	532109227	Pad, Idler
27	532125016	Shield, Leveling
28	532120588	Pin, Hinge
29	532142293	Shield, Side
30	873970500	Nut, Lock Hx Flange
32	873220400	Nut, Fin, Hex 1/4-20 UNC
33	810040400	Washer, Lock Hvy Helical 1/4

NOTE: All component dimensions given in U.S. inches.
1 inch = 25.4 mm

REPAIR PARTS

TILLER - - MODEL NUMBER CRT51 (HECRT51H)

TINE ASSEMBLY



KEY NO.	PART NO.	DESCRIPTION
1	532004459	Tine, Outer, L.H.
2	532132673	Clevis Pin
3	532006554	Tine, Inner, L.H.
4	532124660	Retainer, Spring Zinc
5	532132727	Assembly, Hub and Plate, L.H.
6	873610600	Nut, Hex 3/8-24
7	810040600	Washer, Lock 3/8

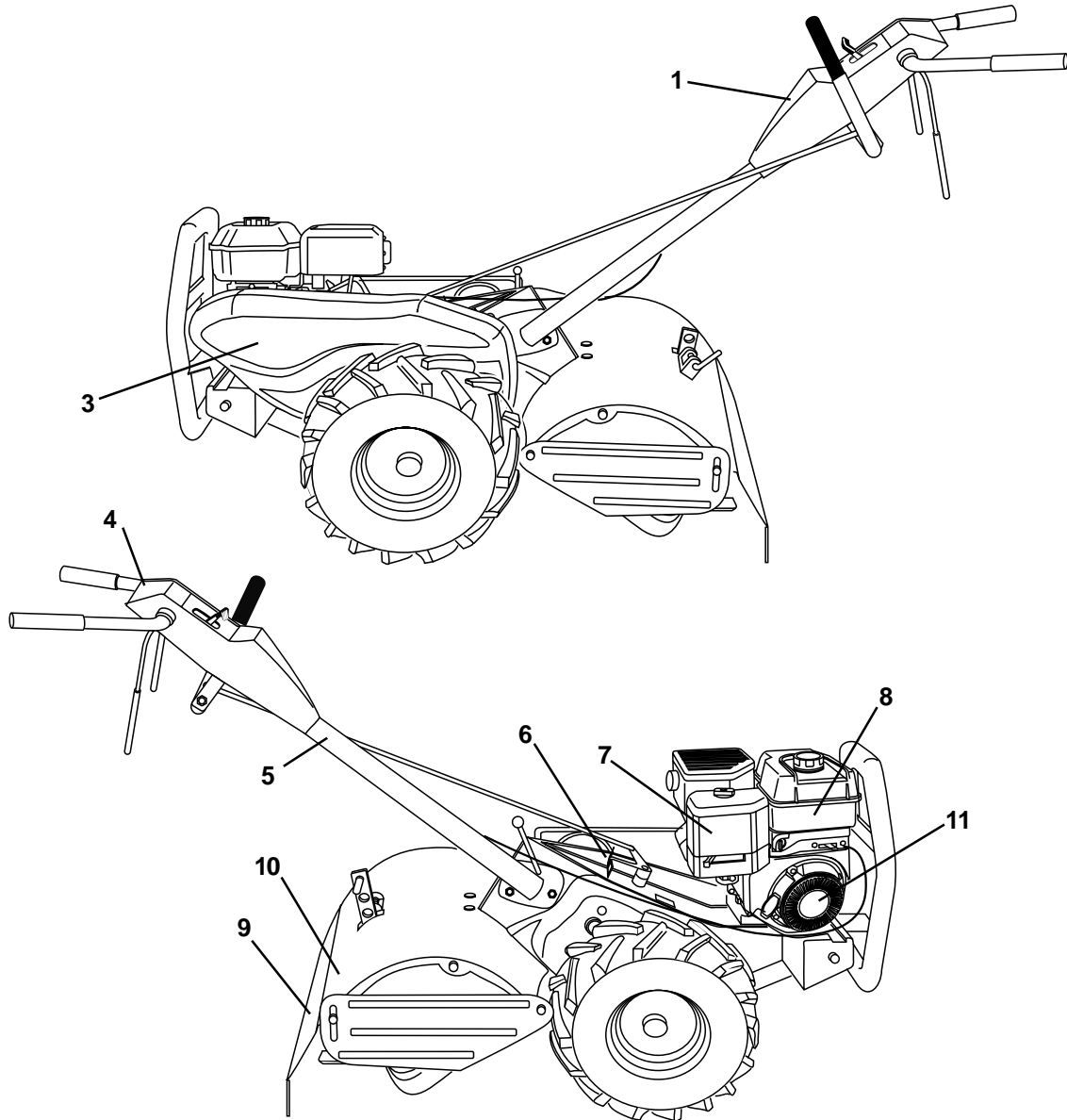
KEY NO.	PART NO.	DESCRIPTION
8	874610616	Bolt, Hex 3/8-24 x 1
9	532004460	Tine, Outer, R.H.
10	532132728	Assembly, Hub and Plate, R.H.
11	532006555	Tine, Inner, R.H.

NOTE: All component dimensions given in U.S. inches.
1 inch = 25.4 mm

REPAIR PARTS

TILLER - - MODEL NUMBER CRT51 (HECRT51H)

DECALS



KEY NO.	PART NO.	DESCRIPTION
1	532155449	Decal, Logo
3	532166598	Decal, Logo
4	532155856	Decal, Instruction, Tilling
5	532159877	Decal, Hand Placement
6	532102180	Decal, Shift Indicator
7	532175643	Decal, Briggs & Stratton
8	532166870	Decal, B&S Intek N-I/C
9	532176557	Decal, Warning, 4-Sym
10	532145437	Decal, Europe Stand CE
11	532171078	Decal, Rewind Intek
--	532175641	Manual, Operator's (Euro.)
--	532175642	Manual, Operator's (Scan.)