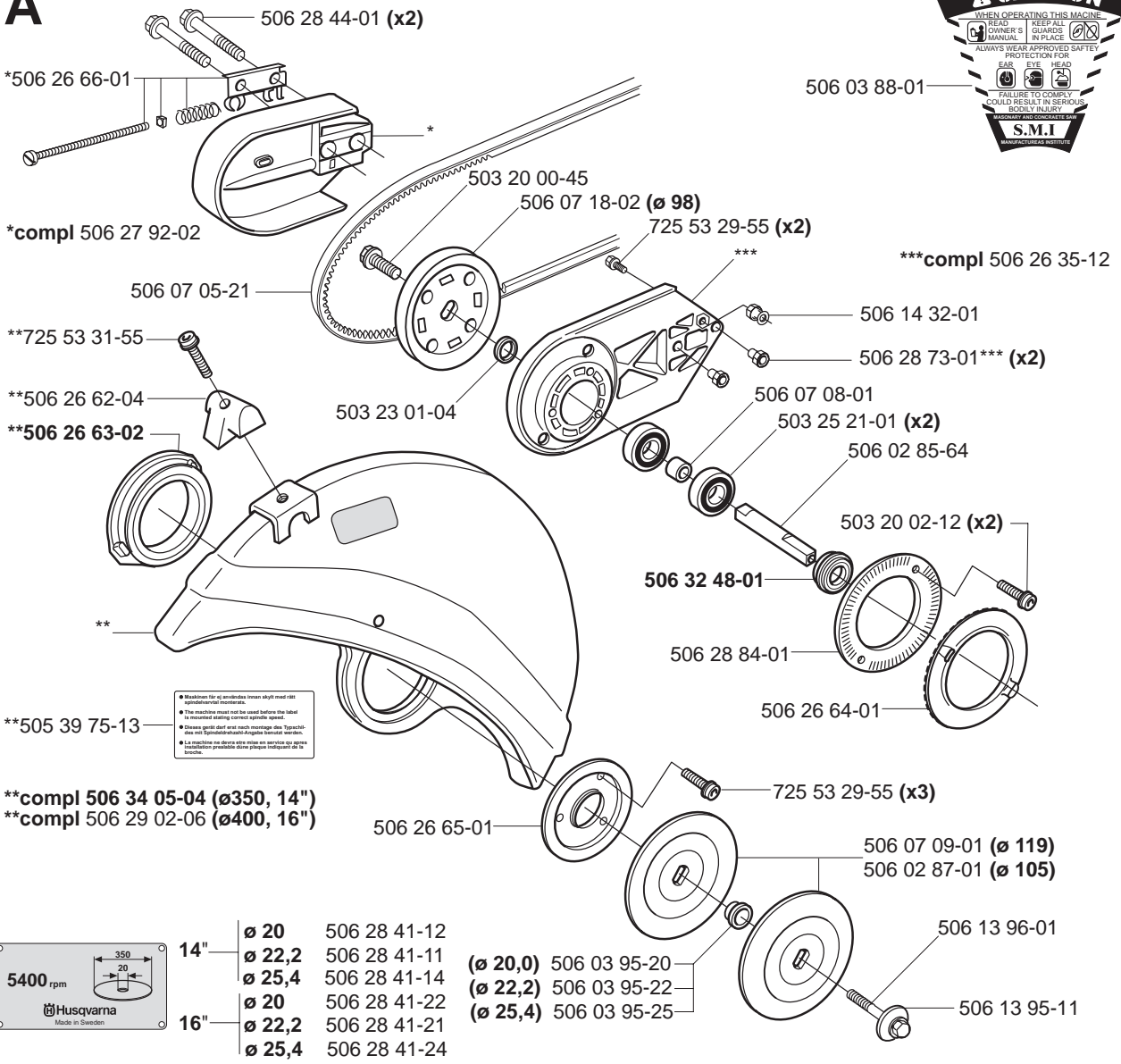


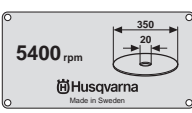
3120K, 3120K EPA

Spare parts	Replaces	
Ersatzteile	Ersetzt	
Pièces détachées	Remplace	
Reserve onderdelen	Vervangt	
Repuestos	Reemplaza	
Reservdelar	Ersätter	106 25 53-63

A

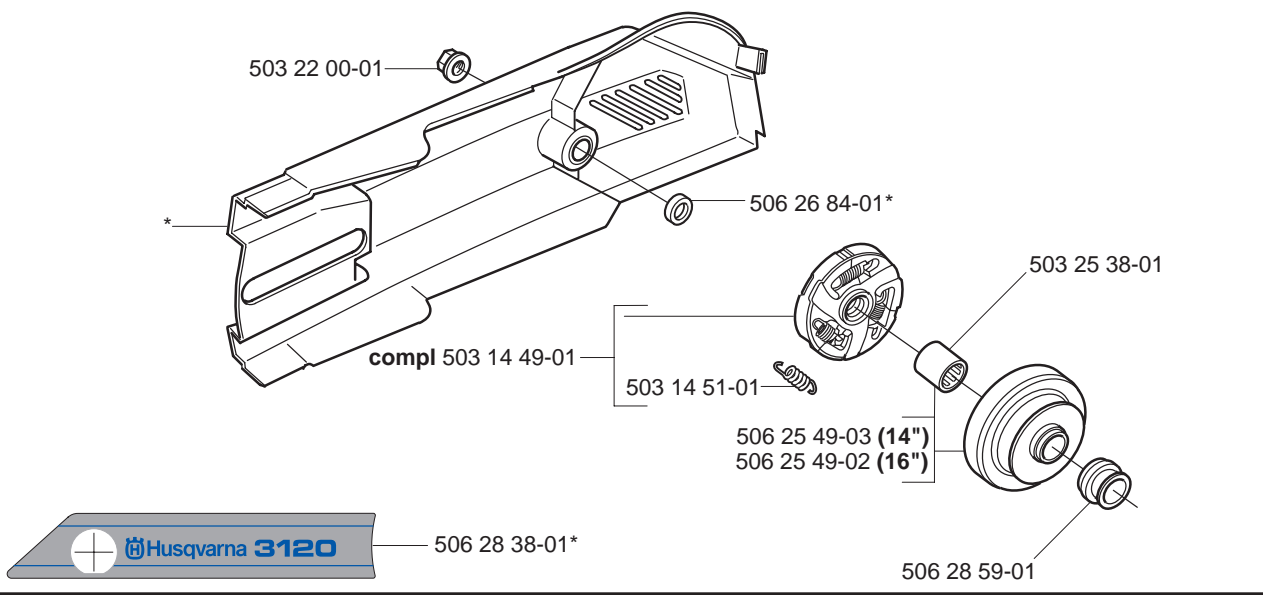


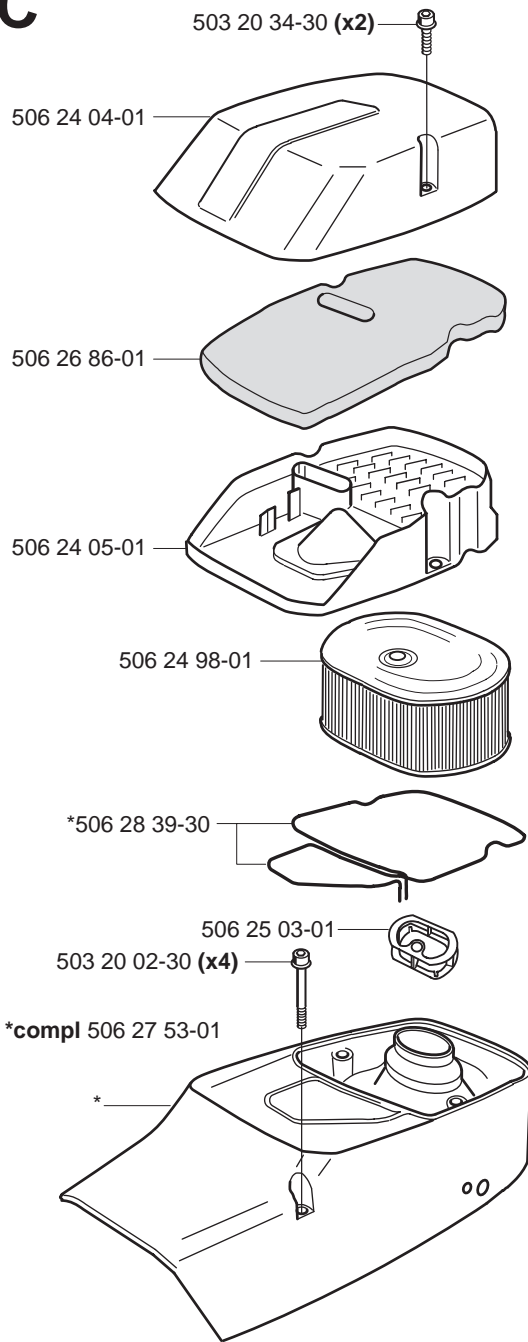
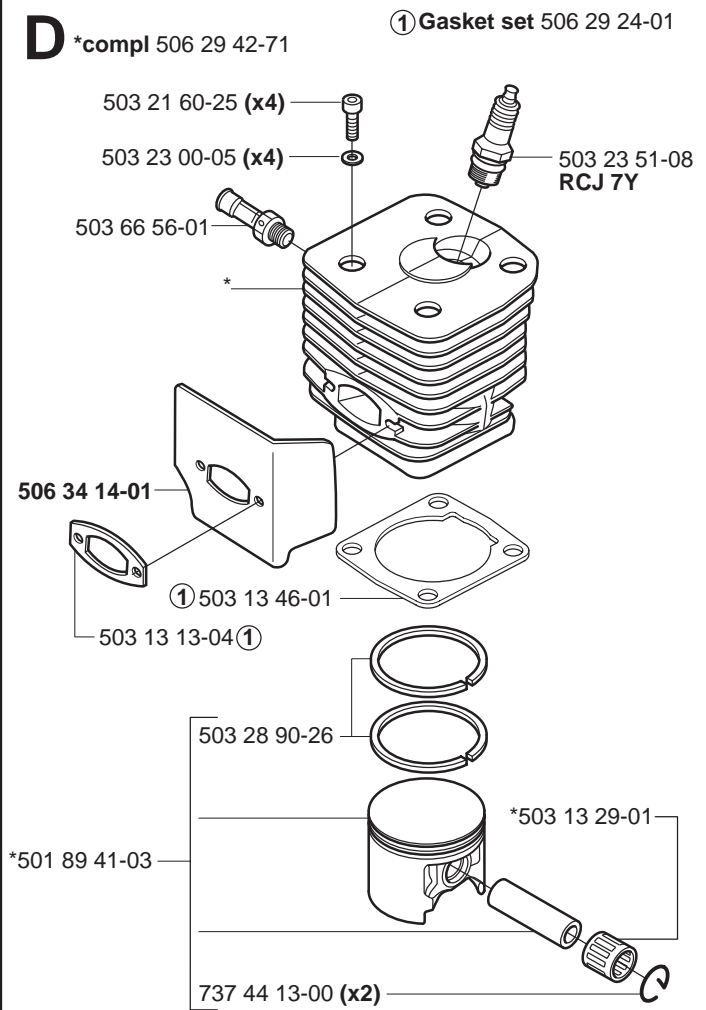
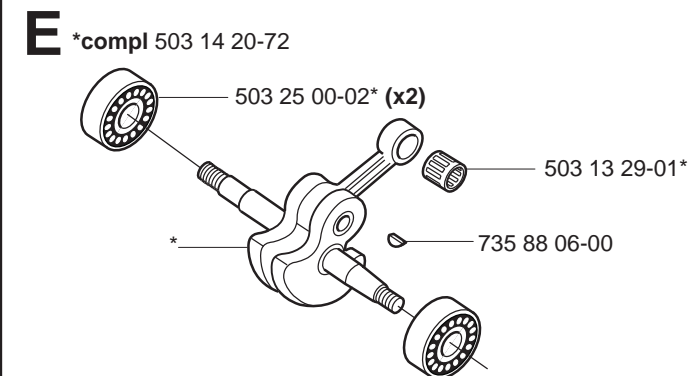
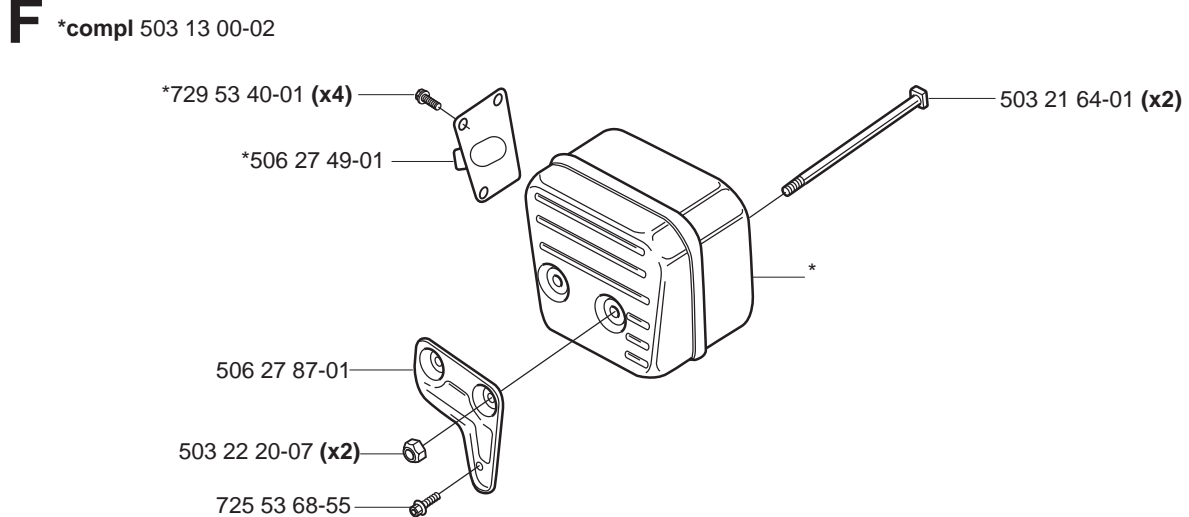
● Skadades för att användas innan skikt med rost spröskastats bort.
 ● This machine must not be used before the label is removed stating correct spindle speed.
 ● Dieses Gerät darf erst nach Montage des Typschutzes mit dem Spindelgeschwindigkeitsschild benutzt werden.
 ● La macchina va usata solo dopo aver rimosso il primo involucro protettivo dove vengono indicati gli usi.



B

*compl 506 27 17-02

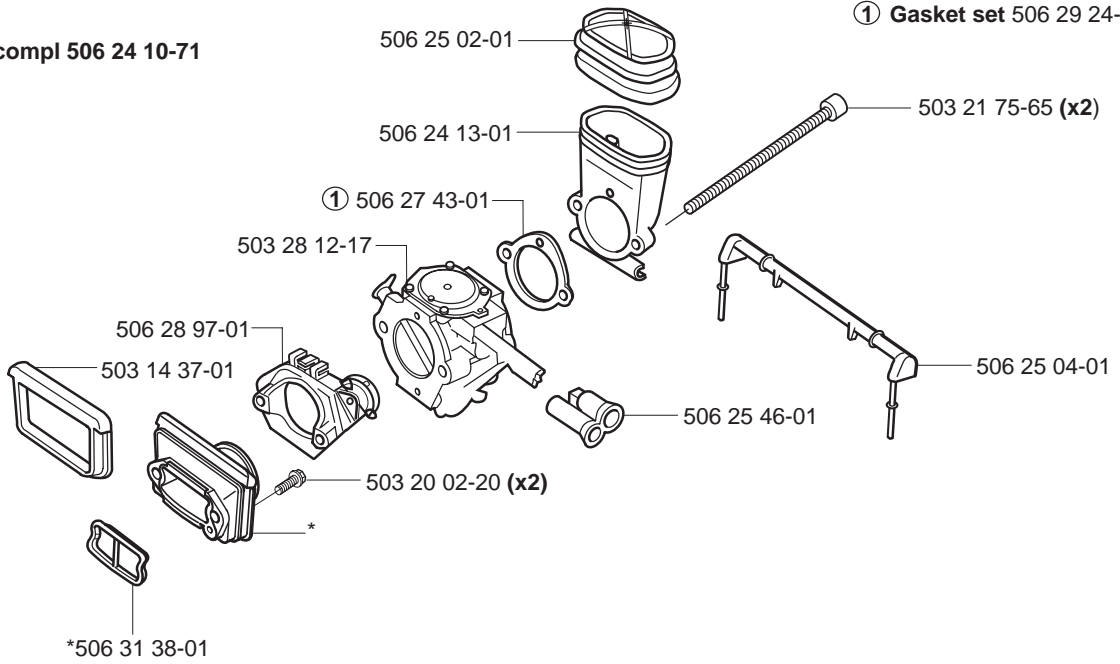


C**D****E****F**

G

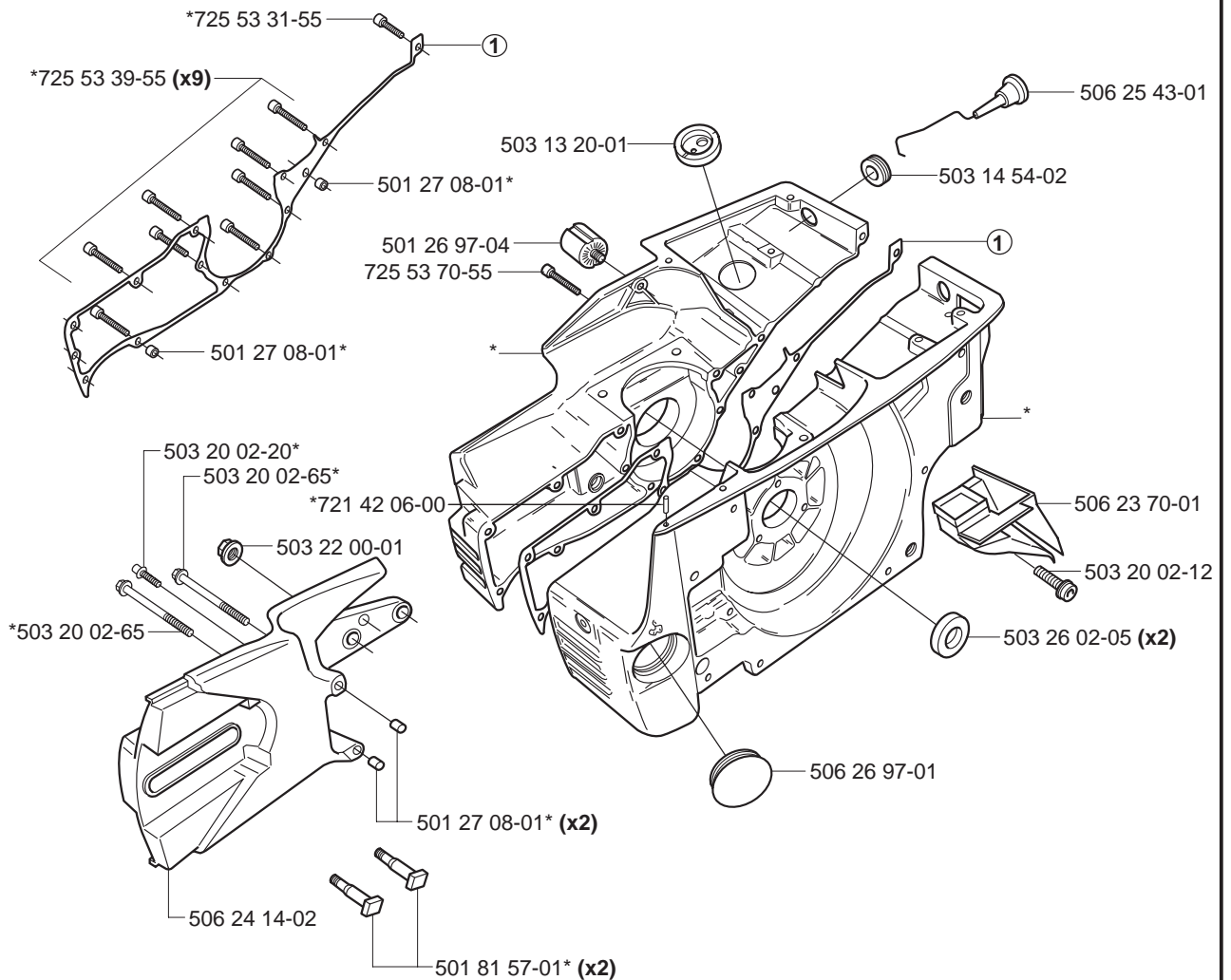
*compl 506 24 10-71

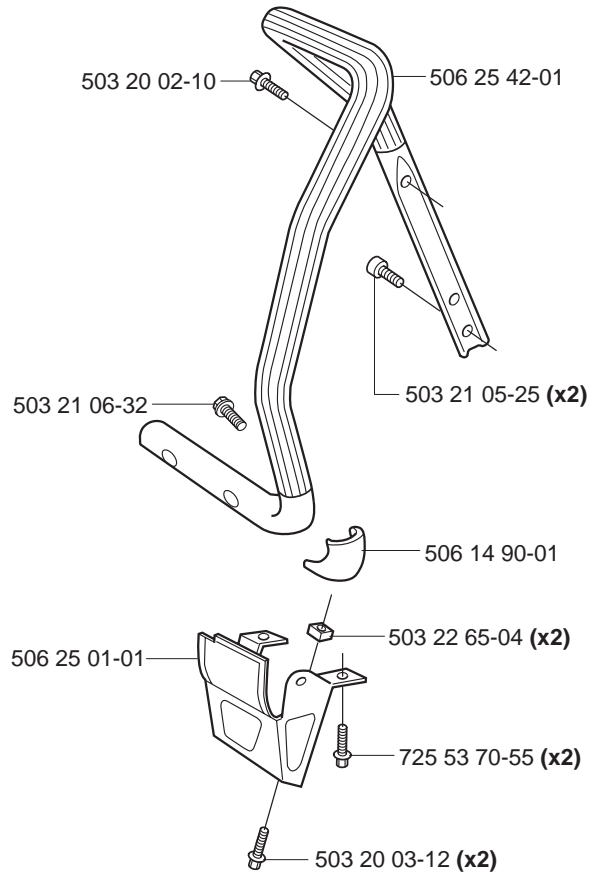
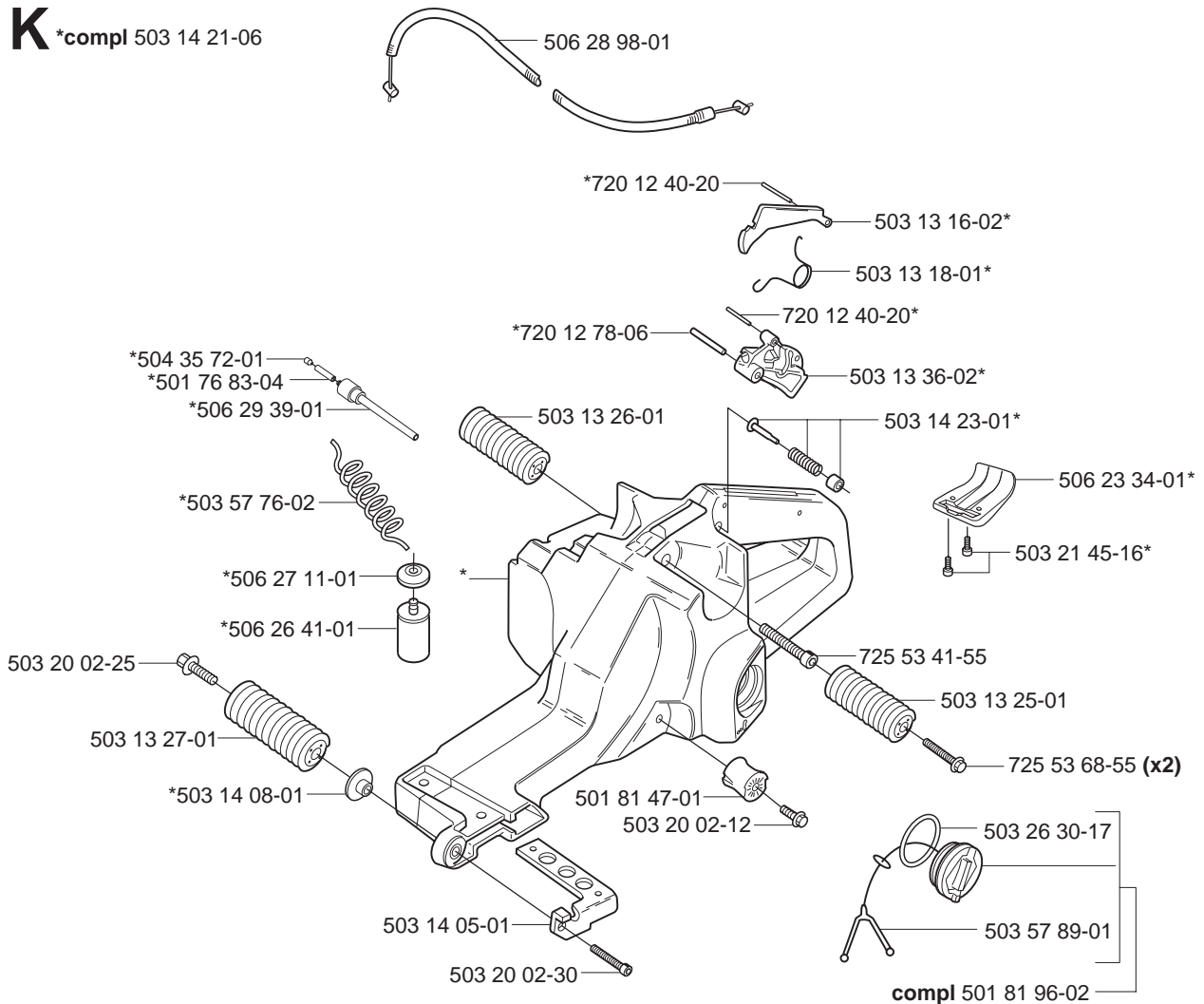
① Gasket set 506 29 24-01

**H**

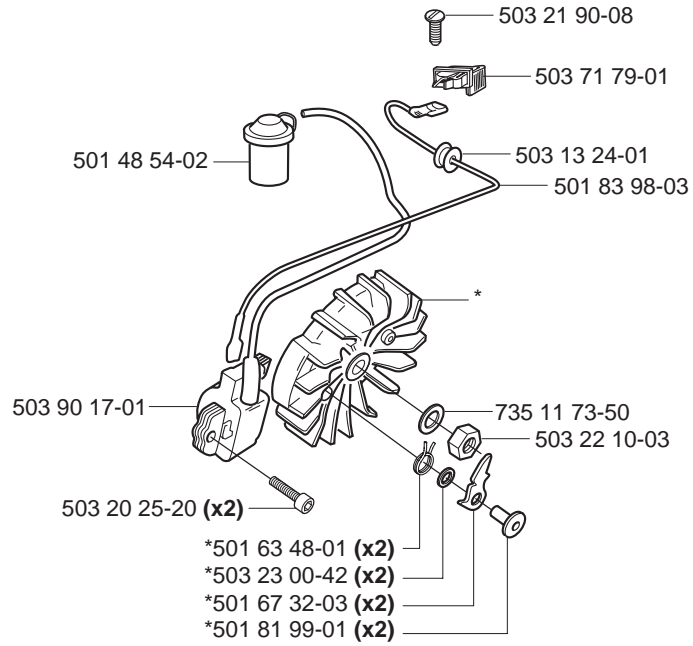
*compl 501 89 25-72

① Gasket set 506 29 24-01

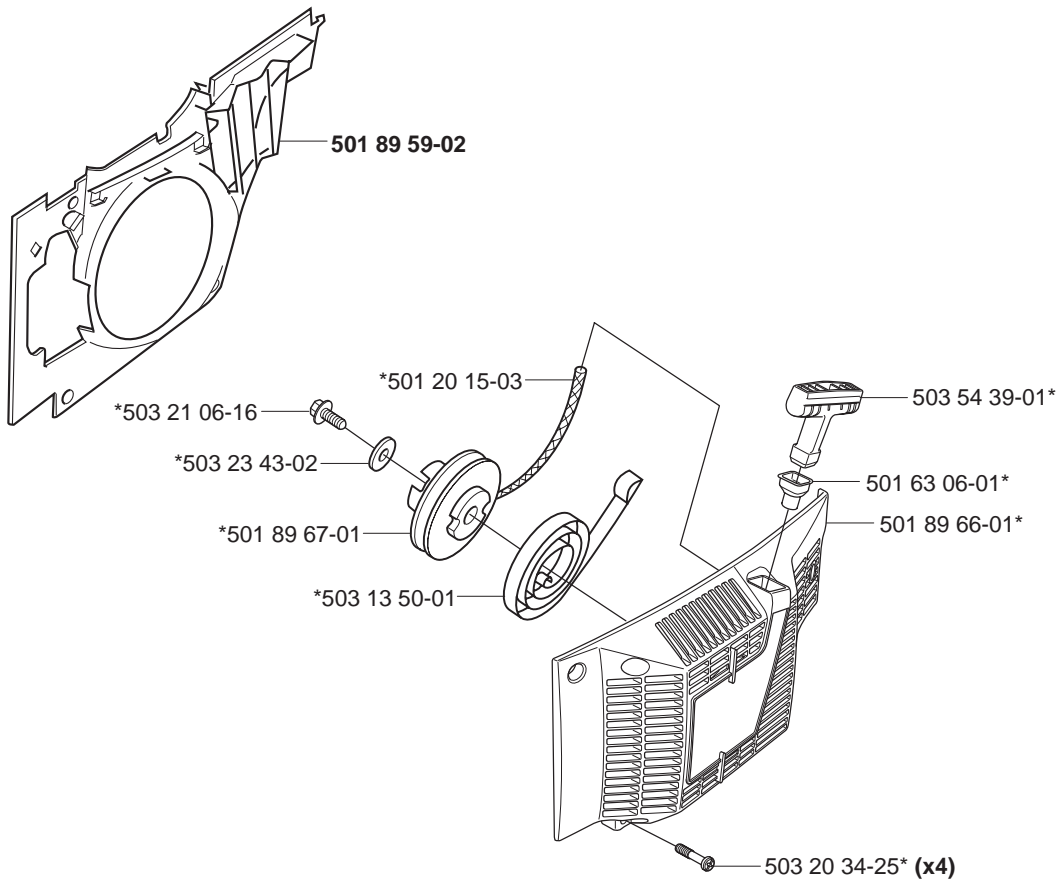


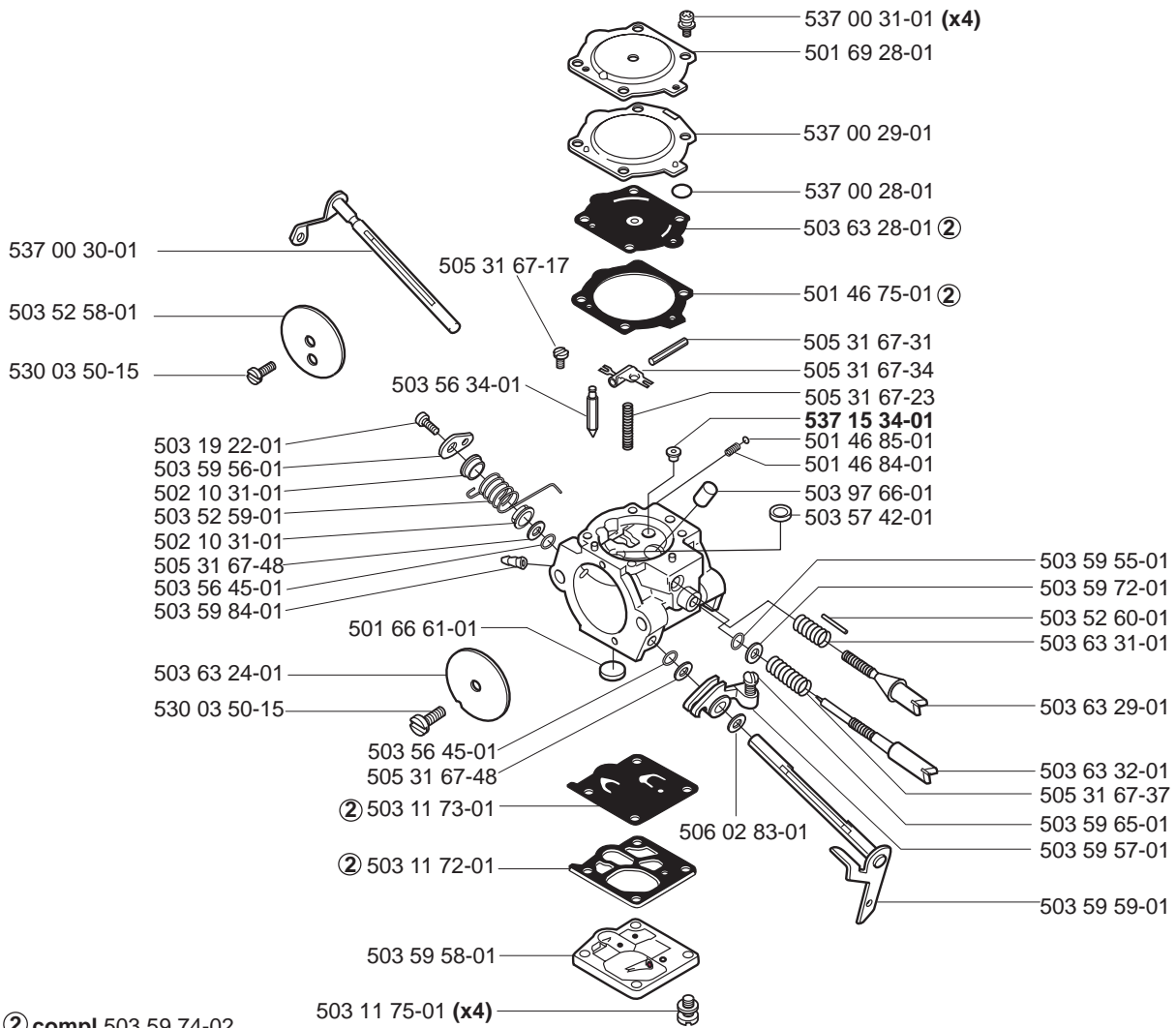
J**K** *compl 503 14 21-06

L *compl 501 89 50-03



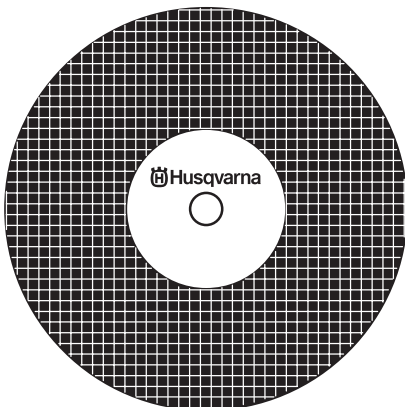
M *compl 501 89 65-02





② compl 503 59 74-02
Set of gaskets
Dichtungssatz
Jeu de joints
Juego de juntas
Packningssats

P

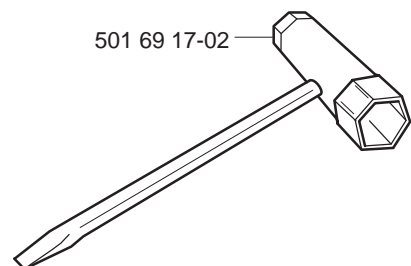


506 29 73-04 14" (350/20)
 506 29 73-06 16" (400/20)

① 506 29 24-01

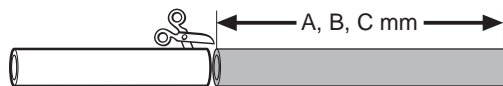
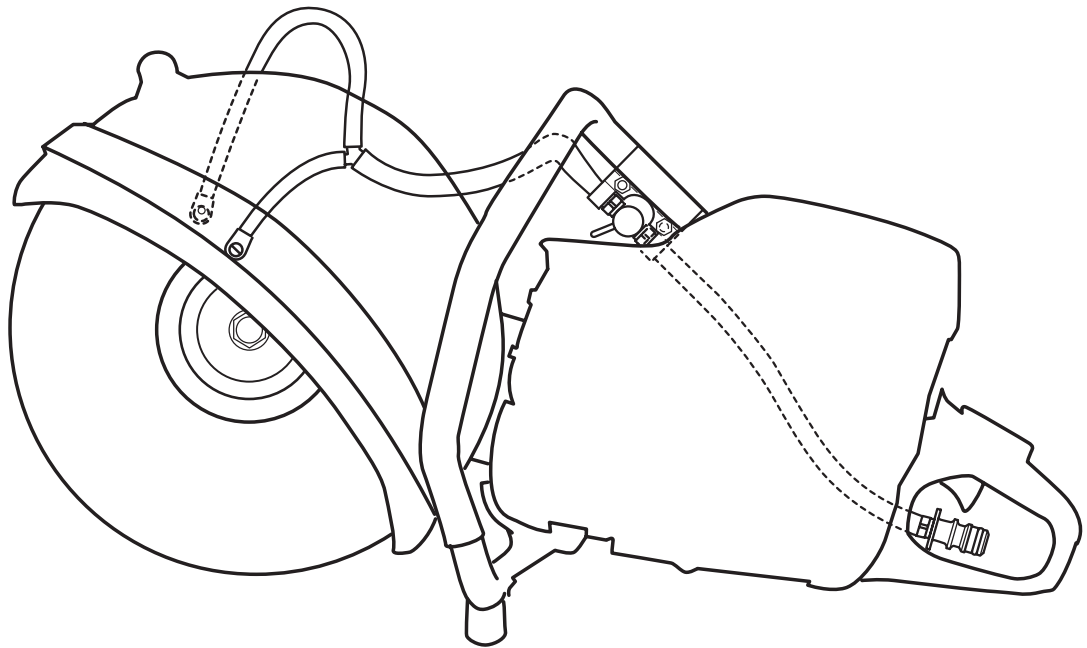
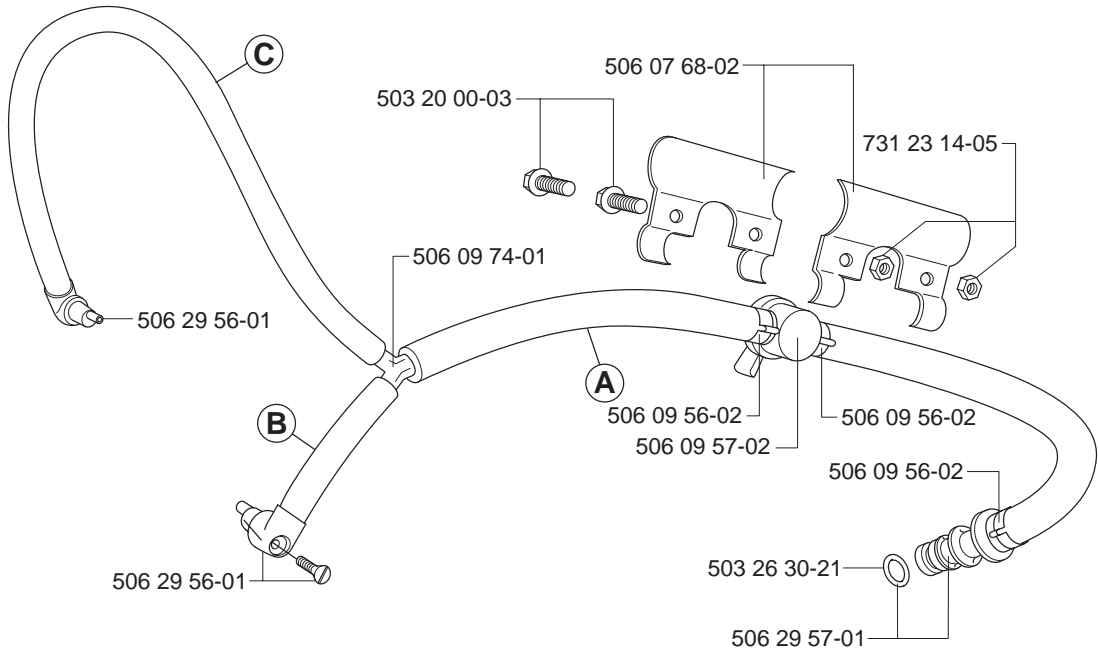
Gasket set
 Dichtungssatz
 Jeu de joints
 Juego de juntas
 Packningssats

501 69 17-02



Q

Wet cutting kit 506 29 30-13



Product		A (mm)	B (mm)	C (mm)
3120K	14"	340	50	230
3120K	16"	340	50	290

MODEL 3120 K, 3120 K EPA

PART NUMBER	SQUARE NOTE	PART NUMBER	SQUARE NOTE	PART NUMBER	SQUARE NOTE	PART NUMBER	SQUARE NOTE
501 20 15-03	M	503 21 64-01	F	506 13 95-11	A	537 09 69-02	M N
501 26 97-04	H	503 21 75-65	G	506 13 96-01	A	537 15 34-01	N N
501 27 08-01	H	503 21 90-08	L	506 14 32-01	A	720 12 40-20	K
501 46 75-01	N	503 22 00-01	B,H	506 14 90-01	J	720 12 78-06	K
501 46 84-01	N	503 22 10-03	L	506 23 34-01	K	721 42 06-00	H
501 46 85-01	N	503 22 20-07	F	506 23 70-01	H	725 53 29-55	A
501 48 54-02	L	503 22 65-04	J	506 24 04-01	C	725 53 31-55	AH
501 63 06-01	M	503 23 00-05	D	506 24 05-01	C N	725 53 39-55	H
501 63 48-01	L	503 23 00-42	L	506 24 10-71	G N	725 53 41-55	K
501 66 61-01	N	503 23 01-04	A	506 24 13-01	G	725 53 68-55	F,K
501 67 32-03	L	503 23 43-02	M	506 24 14-02	H	725 53 70-55	H,J
501 69 17-02	P	503 23 51-08	D	506 24 98-01	C	729 53 40-01	F
501 69 28-01	N	503 25 00-02	E	506 25 01-01	J	731 23 14-05	Q
501 76 83-04	K	503 25 21-01	A	506 25 02-01	G	735 11 73-50	L
501 81 47-01	K	503 25 38-01	B	506 25 03-01	C	735 88 06-00	E
501 81 57-01	H	503 26 02-05	H	506 25 04-01	G	737 44 13-00	D
501 81 96-02	K	503 26 30-17	K	506 25 42-01	J		
501 81 99-01	L	503 26 30-21	Q	506 25 43-01	H		
501 83 98-03	L	503 28 12-17	G,N	506 25 46-01	G		
501 89 25-72	H	503 28 90-26	D	506 25 49-02	B		
501 89 41-03	D	503 52 58-01	N	506 25 49-03	B		
501 89 50-03	L	503 52 59-01	N	506 26 35-12	A		
501 89 59-02	M	503 52 60-01	N	506 26 41-01	K		
501 89 65-02	M	503 54 39-01	M	506 26 62-04	A		
501 89 66-01	M	503 56 34-01	N	506 26 63-02	A N		
501 89 67-01	M	503 56 45-01	N	506 26 64-01	A		
502 10 31-01	N	503 57 42-01	N	506 26 65-01	A		
503 11 72-01	N	503 57 76-02	K	506 26 66-01	A		
503 11 73-01	N	503 57 89-01	K	506 26 84-01	B		
503 11 75-01	N	503 59 55-01	N	506 26 86-01	C		
503 13 00-02	F	503 59 56-01	N	506 26 97-01	H		
503 13 13-04	D	503 59 57-01	N	506 27 11-01	K		
503 13 16-02	K	503 59 58-01	N	506 27 17-02	B		
503 13 18-01	K	503 59 59-01	N	506 27 43-01	G 1		
503 13 20-01	H	503 59 65-01	N	506 27 49-01	F		
503 13 24-01	L	503 59 72-01	N	506 27 53-01	C		
503 13 25-01	K	503 59 74-02	N	506 27 87-01	F		
503 13 26-01	K	503 59 84-01	N	506 27 92-02	A		
503 13 27-01	K	503 63 24-01	N	506 28 38-01	B		
503 13 29-01	D,E	503 63 28-01	N	506 28 39-30	C		
503 13 36-02	K	503 63 29-01	N	506 28 41-11	A		
503 13 46-01	D	503 63 31-01	N	506 28 41-12	A		
503 13 50-01	M	503 63 32-01	N	506 28 41-14	A		
503 14 05-01	K	503 66 56-01	D	506 28 41-21	A		
503 14 08-01	K	503 71 79-01	L	506 28 41-22	A		
503 14 20-72	E	503 90 17-01	L	506 28 41-24	A		
503 14 21-06	K	503 97 66-01	N	506 28 44-01	A		
503 14 23-01	K	504 35 72-01	K	506 28 59-01	B		
503 14 37-01	G	505 31 67-17	N	506 28 73-01	A		
503 14 49-01	B	505 31 67-23	N	506 28 84-01	A		
503 14 51-01	B	505 31 67-31	N	506 28 97-01	G		
503 14 54-02	H	505 31 67-34	N	506 28 98-01	K		
503 19 22-01	N	505 31 67-37	N	506 29 02-06	A		
503 20 00-03	Q	505 31 67-48	N	506 29 24-01	D,G,H,P 1 COMPL		
503 20 00-45	A	505 39 75-13	A	506 29 30-13	Q		
503 20 02-10	J	506 02 83-01	N	506 29 39-01	K		
503 20 02-12	A,H,K	506 02 85-64	A	506 29 42-71	D		
503 20 02-20	G,H	506 02 87-01	A	506 29 56-01	Q		
503 20 02-25	K	506 03 88-01	A	506 29 57-01	Q		
503 20 02-30	C,K	506 03 95-20	A	506 29 73-04	P		
503 20 02-65	H	506 03 95-22	A	506 29 73-06	P		
503 20 03-12	J	506 03 95-25	A	506 31 38-01	G		
503 20 25-20	L	506 07 05-21	A	506 32 48-01	A N		
503 20 34-25	M	506 07 08-01	A	506 34 05-04	A N		
503 20 34-30	C	506 07 09-01	A	506 34 14-01	D N		
503 21 05-25	J	506 07 18-02	A	530 03 50-15	N		
503 21 06-16	M	506 07 68-02	Q	537 00 28-01	N		
503 21 06-32	J	506 09 56-02	Q	537 00 29-01	N		
503 21 45-16	K	506 09 57-02	Q	537 00 30-01	N		
503 21 60-25	D	506 09 74-01	Q	537 00 31-01	N		

1 = 506 29 24-01
2 = 503 59 74-02

Set of gaskets
Dichtungssatz
Jeu de joints
Juego de juntas
Packningssats

N = New part
Neues teil
Nouvelle piece
Nueva pieza
Ny detalj

EPA = Environmental Protection Agency
(for USA only)