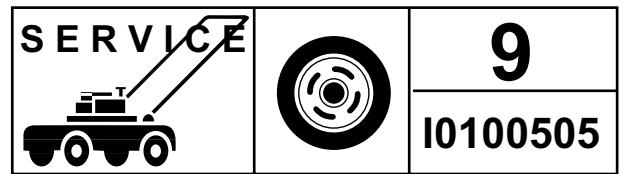


Accessories



IPL, Brush, 2001-02, 106 24 62-62

T-20406, 953 51 61-01

Brush

Spare parts

Ersatzteile

Pièces détachées

Reserve onderdelen

Repuestos

Reservdelar

Replaces

Ersetzt

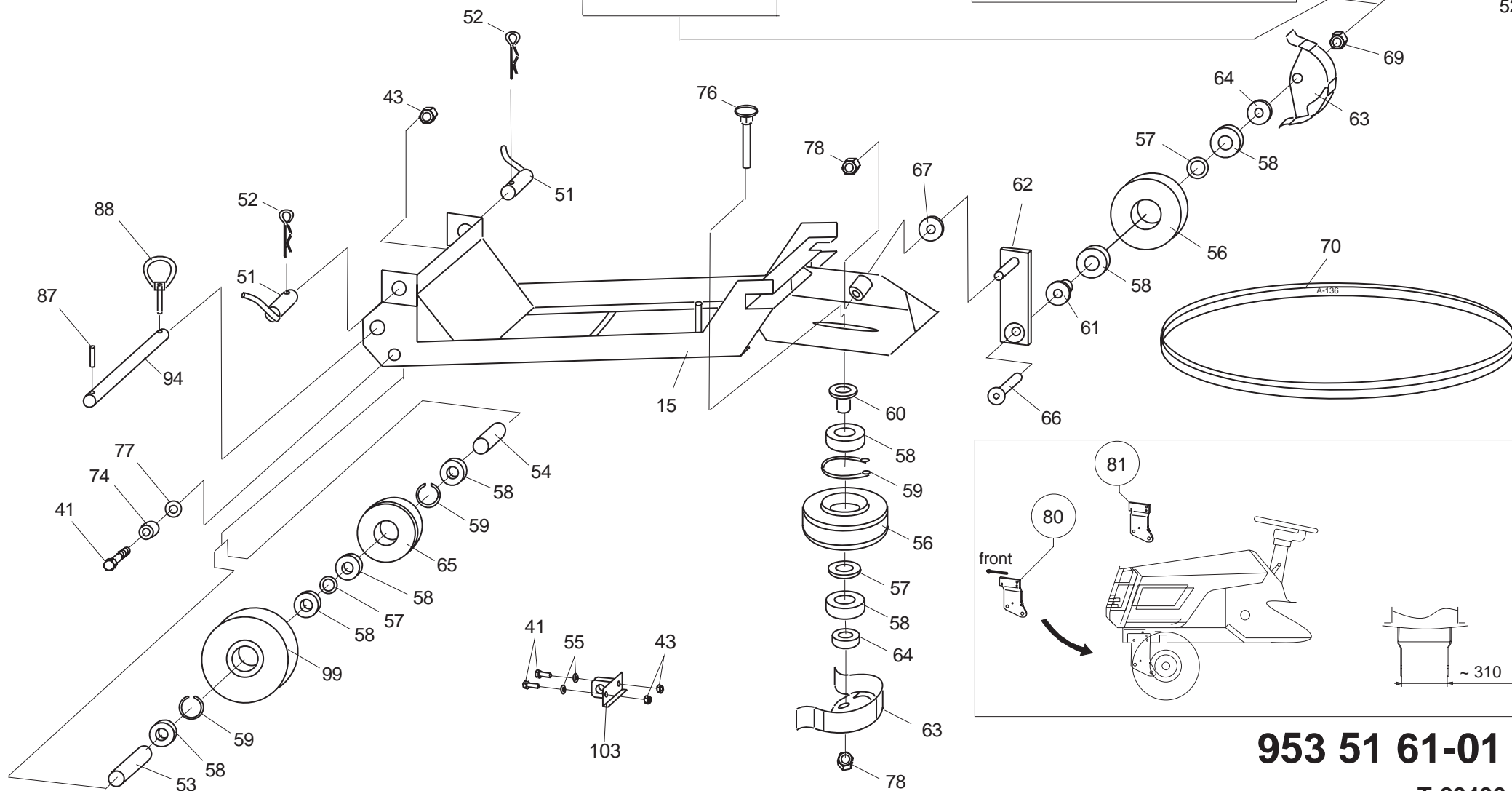
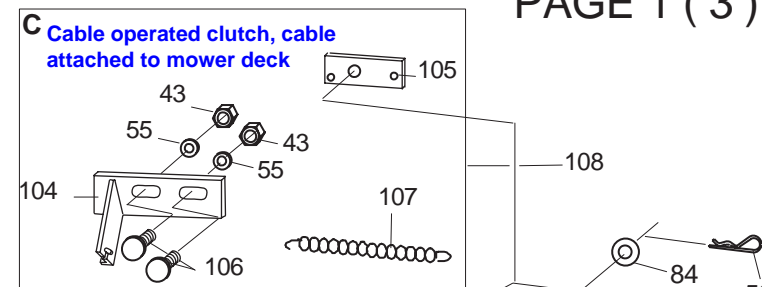
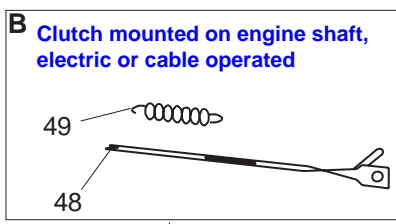
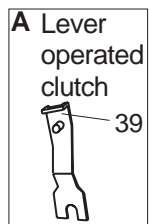
Remplace

Vervangt

Reemplaza

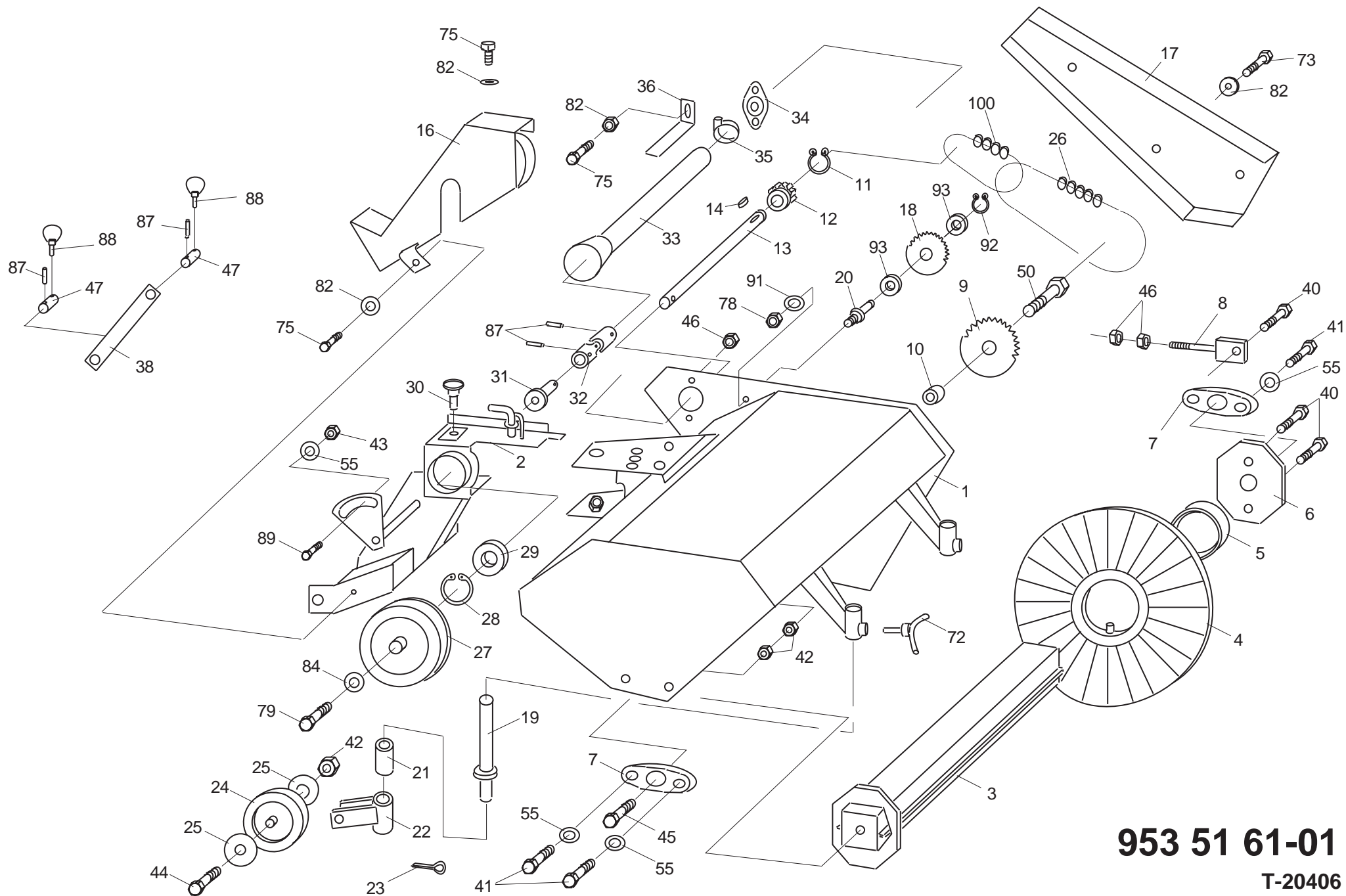
Ersätter

106 24 62-61



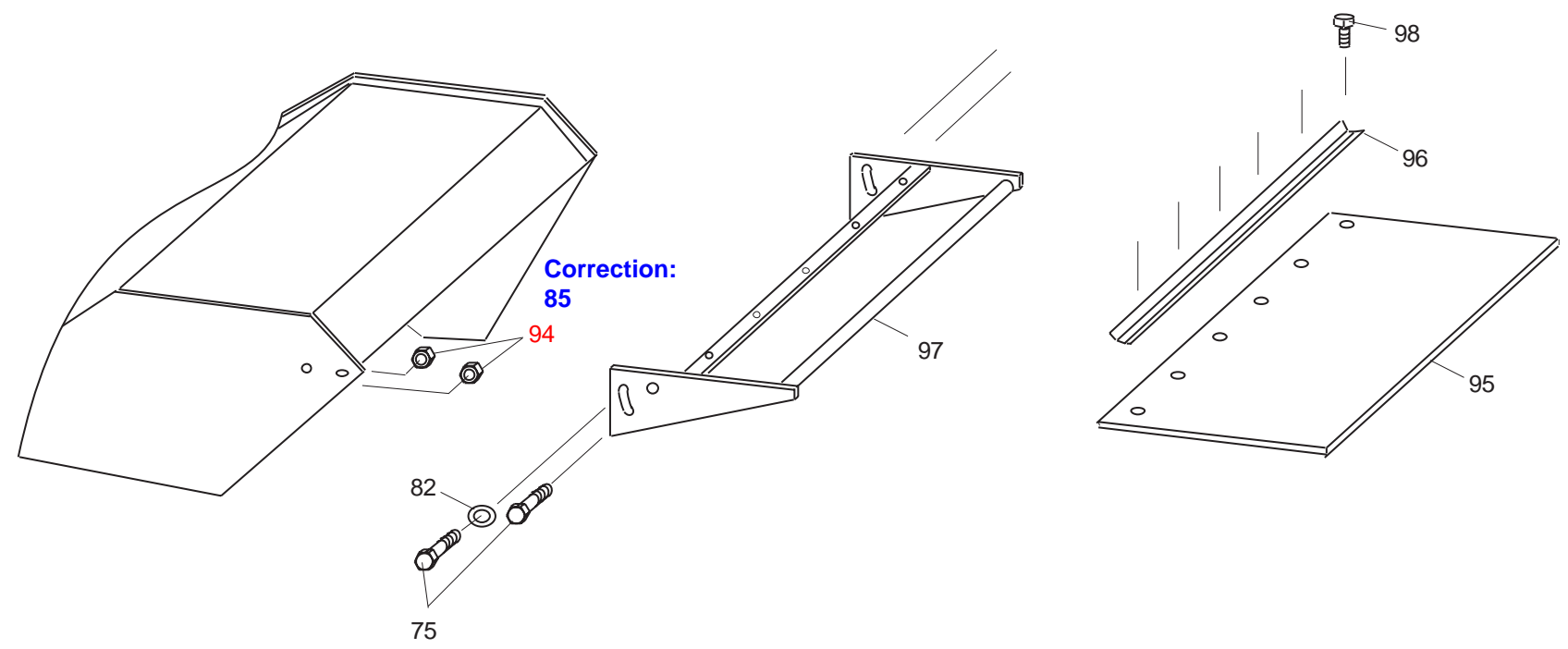
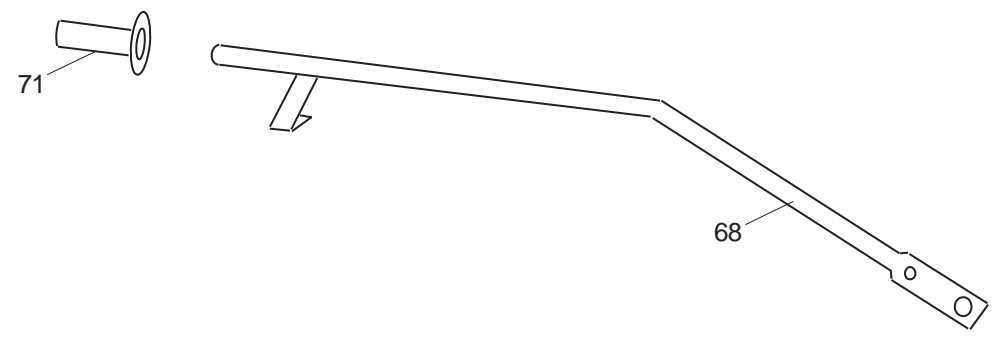
953 51 61-01

T-20406



953 51 61-01

T-20406



953 51 61-01 Street Brush for tractors

Pos	Part number	Part name	Qty	Pos	Part number	Part name	Qty
1	531 02 11-16	Frame	1	54	531 02 11-36	Collar	1
2	531 02 11-17	Weldment	1	55	531 02 11-37	Washer	8
3	531 00 51-52	Roller Shaft	1	56	531 00 52-61	Pulley	2
4	531 00 51-53	Brush Ring	26	57	531 00 51-97	Collar	5
5	531 00 51-54	Collar, Plastic	25	58	531 02 11-38	Bearing	8
6	531 00 51-55	Flange	1	59	531 00 51-98	Circlip	3
7	531 00 51-08	Bearing, Flange	2	60	531 00 52-89	Collar	1
8	531 00 51-57	Chain Tightener	1	61	531 00 52-90	Collar	1
9	531 00 51-58	Chain Wheel	1	62	531 00 52-83	Support	1
10	531 02 11-18	Collar	1	63	531 00 52-85	Guide, Belt	2
11	531 02 11-51	Circlip	1	64	531 00 52-86	Collar	2
12	531 00 51-60	Chain Wheel	1	65	531 02 11-39	Pulley	1
13	531 00 51-61	Drive Shaft	1	66	531 02 11-40	Screw	1
14	531 00 52-20	Key	1	67	531 00 52-65	Collar	1
15	531 02 11-19	Frame	1	68	531 02 11-41	Weldment, Lift	1
16	531 02 11-20	Belt Guard	1	69	531 02 11-42	Nut	1
17	531 02 11-21	Chain Guard	1	70	531 02 11-43	V-Belt	1
18	531 02 11-22	Chain Wheel	1	71	531 00 51-41	Grip	1
19	531 00 51-67	Support Shaft, Wheel	2	72	531 00 52-12	Screw	2
20	531 02 11-23	Screw, Special	1	73	531 02 11-44	Screw	3
21	531 00 51-69	Bushing, Plastic	2	74	531 02 11-45	Washer	2
22	531 00 51-70	Support, Wheel	2	75	531 02 11-46	Screw	4
23	531 00 51-71	Pin, Split	2	76	531 00 52-91	Screw, Lock	1
24	531 00 51-72	Support Wheel	2	77	531 02 11-47	Washer	2
25	531 00 51-73	Guard, Support Wheel	4	78	531 02 11-48	Nut, Lock	2
26	531 02 11-24	Drive Chain	1	79	531 02 11-49	Screw	1
27	531 00 51-75	Pulley	1	80	531 02 11-82	Side Plate, Left	1
28	531 00 51-76	Circlip	1	81	531 02 11-83	Side Plate, Right	1
29	531 00 51-12	Bearing	1	82	531 02 11-84	Washer	11
30	531 00 51-77	Screw	2	83	531 00 52-15	Collar	2
31	531 00 51-78	Pin	1	84	531 02 11-85	Washer	1
32	531 00 51-79	Universal Joint	1	87	531 00 52-16	Pin, Spring	4
33	531 00 51-80	Guard, Drive Shaft	1	88	531 00 52-17	Pin Set	2
34	531 00 51-81	Bearing	1	89	531 02 11-74	Screw	1
35	531 00 51-82	Clamp	1	91	531 02 11-86	Washer	1
36	531 00 51-83	Support	1	92	531 02 11-87	Circlip	1
37	531 02 11-10	Support, Lift	1	93	531 02 11-88	Bearing	2
38	531 02 11-04	Weldment, Lift	1	94	531 00 52-21	Shaft	1
39	531 02 11-26	Lever	1	95	531 00 52-27	Rubber	1
40	531 02 11-27	Screw	3	96	531 00 52-29	Plate	1
41	531 02 11-28	Screw	7	97	531 00 52-26	Frame	1
42	531 02 11-29	Nut	6	98	531 00 52-28	Screw	6
43	531 02 11-30	Nut, Lock	12	99	531 00 51-66	Pulley	1
44	531 02 11-31	Screw	2	100	531 02 11-90	Drive Chain	1
45	531 00 51-87	Screw, Special	1	101	531 02 12-33	Decal	1
46	531 02 11-32	Nut	4	102	531 02 12-34	Decal, Street Brush	1
47	531 00 51-92	Shaft	2	103	531 02 11-10	Support, Lift	1
48	531 00 52-80	Belt Tightener	1	104	531 02 12-45	Mounting Plate	1
49	531 00 52-03	Spring	1	105	531 02 12-46	Mounting Plate	1
50	531 02 11-33	Screw	1	106	531 02 11-72	Screw (carriage bolt)	2
51	531 02 11-34	Shaft	2	107	531 02 12-68	Spring	1
52	531 00 51-43	Pin, Spring	3	108	531 02 12-70	Kit for cable clutch	0
53	531 02 11-35	Collar	1	85	531 02 12-19	Nut, Lock	4

953 51 61-01 Street Brush for tractors

Pos	Part number	Part name	Qty	Pos	Part number	Part name	Qty
108	531 02 12-70	Kit for cable clutch	0				