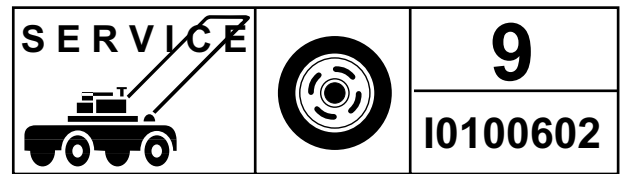


Accessories



IPL, Spike Aerator, 2001-03, 106 27 30-61

45-0296

Spike Aerator

Spare parts

Ersatzteile

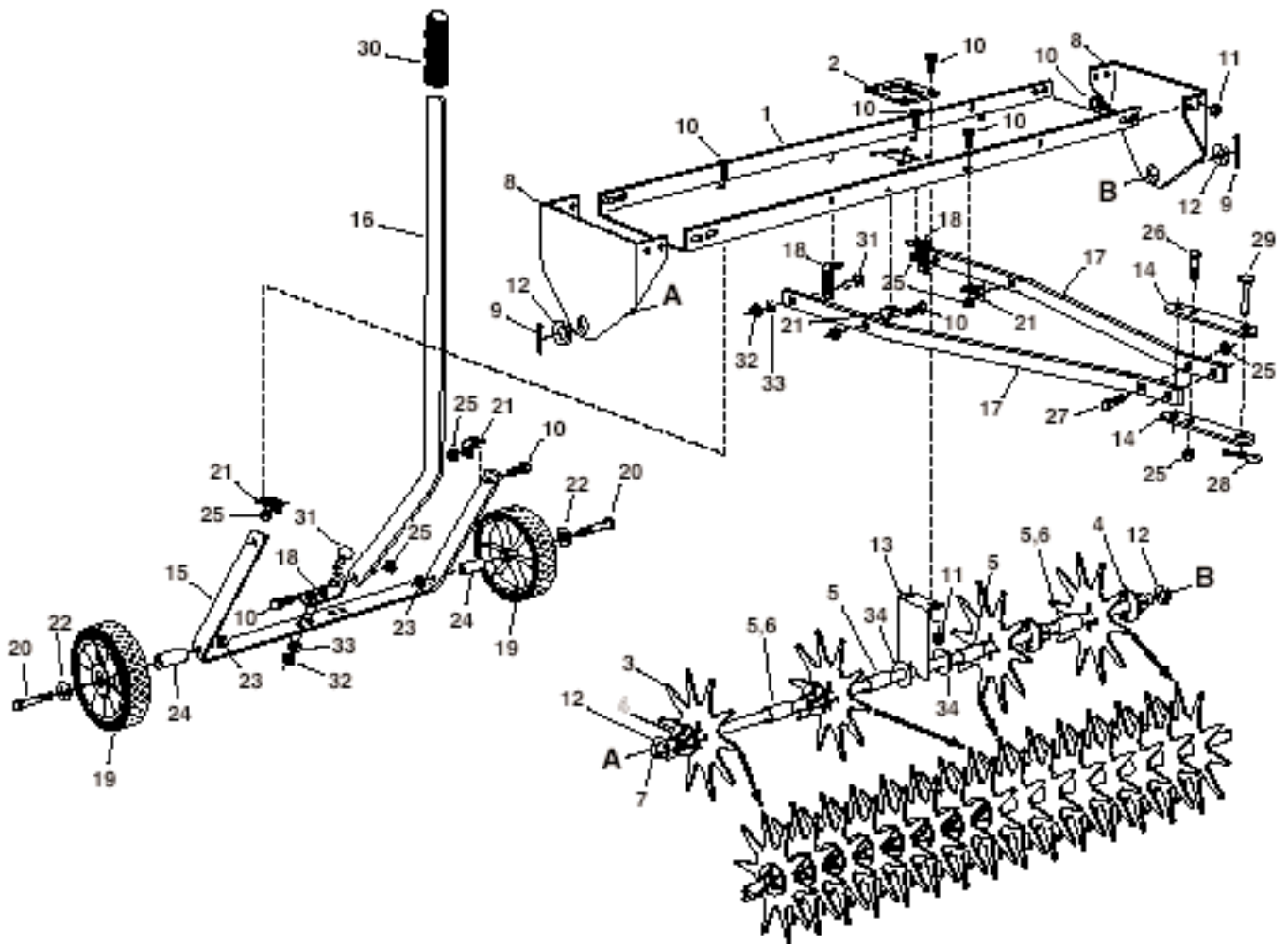
Pièces détachées

Reserve onderdelen

Repuestos

Reservdelar

SPIKE AERATOR REPAIR PARTS



Key no	Part no	Qty	Description	Key no	Part no	Qty	Description
1	531 00 81-01	1	Tray, Spike Disk Mount	19	531 00 81-13	2	Wheel
2	531 00 81-02	1	Plate,Lift	20	531 00 81-14	2	Bolt,Hex 3/8-16 x 2-1/2"
3	531 00 81-03	15	Disk,Spike	21	531 00 81-15	4	Bracket,Angle
4	531 00 76-30	15	Hub,Spike Disk	22	734 11 72-01	2	Washer,Flat 3/8"
5	531 00 81-04	15	Spacer,1.33"Long	23	873 68 06-00	2	Nut,Hex Lock 3/8-16
7	531 00 81-06	1	Axle	24	531 00 81-16	2	Spacer,1.56"Long
8	531 00 81-07	2	End Plate	25	531 00 76-16	15	Nut,Hex Lock 5/16-18
9	531 00 81-08	2	Cotter Pin,5/32"x 1-1/2"	26	874 76 05-32	2	Bolt,Hex 5/16-18 x 2"
10	874 78 05-12	23	Bolt,Hex 5/16-18 x 3/4"	27	531 00 81-17	2	Bolt,Hex 5/16-18 x 1-1/4"
11	531 00 81-09	12	Nut,Whiz Lock 5/16-18	28	721 68 02-51	1	Pin,Hair Cotter
12	531 00 27-16	8	Washer,Flat	29	531 00 81-18	1	Pin,Hitch 3/8" (Flat Head)
13	531 00 81-10	1	Bracket,Axle Reinforcement	30	506 62 64-01	1	Grip
14	531 00 46-42	2	Bracket,Hitch	31	872 14 05-06	4	Bolt,Carriage 5/16-18 x 3/4"
15	531 00 81-11	1	Bracket,Axle	32	873 22 05-00	4	Nut,Hex 5/16-18
16	531 00 81-12	1	Lift Handle	33	735 11 64-05	4	Lock Washer,5/16"
17	531 00 46-30	2	Arm,Hitch Mount	34	531 00 27-92	2	Washer, Flat 13/16"x2"x10 Ga
18	531 00 46-31	3	Bracket,Hitch Arm Mount				