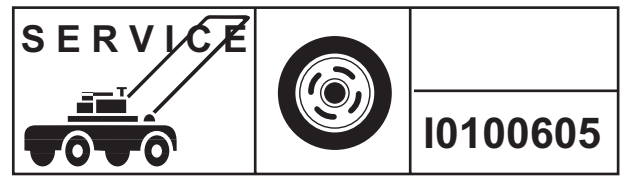


# Accessories



IPL, Spreader, 2001-05, 106 27 51-61

531 02 07-20, 45-0241

# Spreader

**Spare parts**

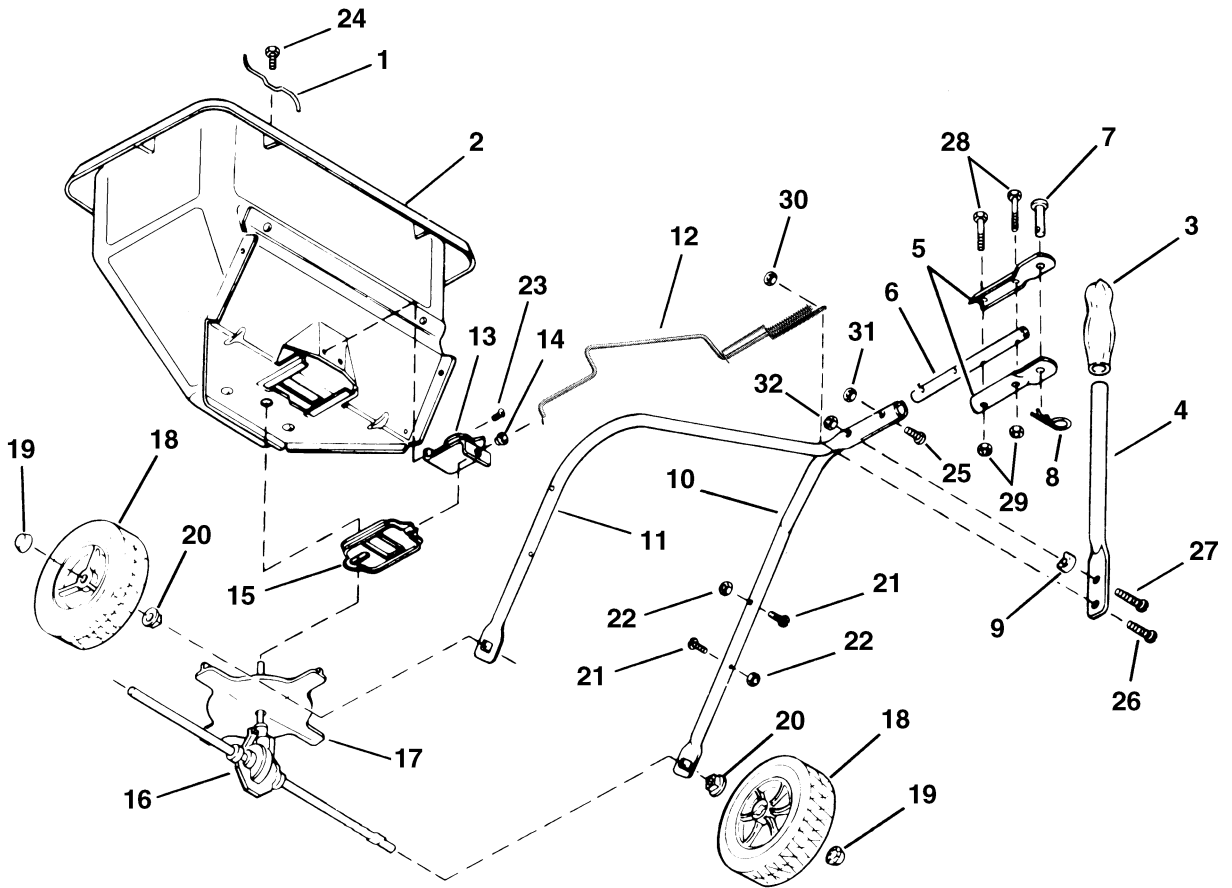
**Ersatzteile**

**Pièces détachées**

**Reserve onderdelen**

**Repuestos**

**Reservdelar**



<u>Item no</u>	<u>Part no</u>	<u>Description</u>
1	531 00 27-58	Agitator Wire
2	531 00 81-38	Hopper/Support Assembly
3	531 00 81-39	Handle Grip
4	531 00 81-40	Control Arm
5	531 00 81-41	Hitch Bracket
6	531 00 81-42	Tow Bar
7	531 00 81-43	Clevis Pin
8	531 00 81-44	Hitch Pin Clip (Hairpin)
9	531 00 81-45	Coved Spacer
10	531 00 81-46	Leg.Right Hand
11	531 00 81-47	Leg. Left Hand
12	531 00 81-48	Control Rod Assembly
13	531 00 81-49	Setting Cam/Bracket Ass
14	531 00 81-50	Snap-In Bushing
15	531 00 81-51	Flow Slide
16	531 00 81-52	Impeller/Axle Housing Ass
17	531 00 81-57	Impeller
18	531 00 81-53	Wheel (2)
19	531 00 81-54	Push Nut-Hub Cap (2)
20	531 00 81-55	Split Bushing (2)
21	531 00 81-59	Slot Head Bolt
22	732 21 14-01	Hex Nut
23	531 00 81-58	Slot Head Bolt
24	531 00 81-60	Hex Head Screw
25	531 00 81-61	Slot Head Bolt
26	531 00 81-62	Head Bolt
27	531 00 81-63	Slot.Head Bolt
28	725 23 78-71	Hex Head Bolt
29	531 00 76-29	Hex Lock Nut
30	531 00 81-64	Hex Lock Nut
31	732 21 14-01	Hex nut
<b>32</b>	<b>531 00 81-65</b>	<b>Hex Nut</b>