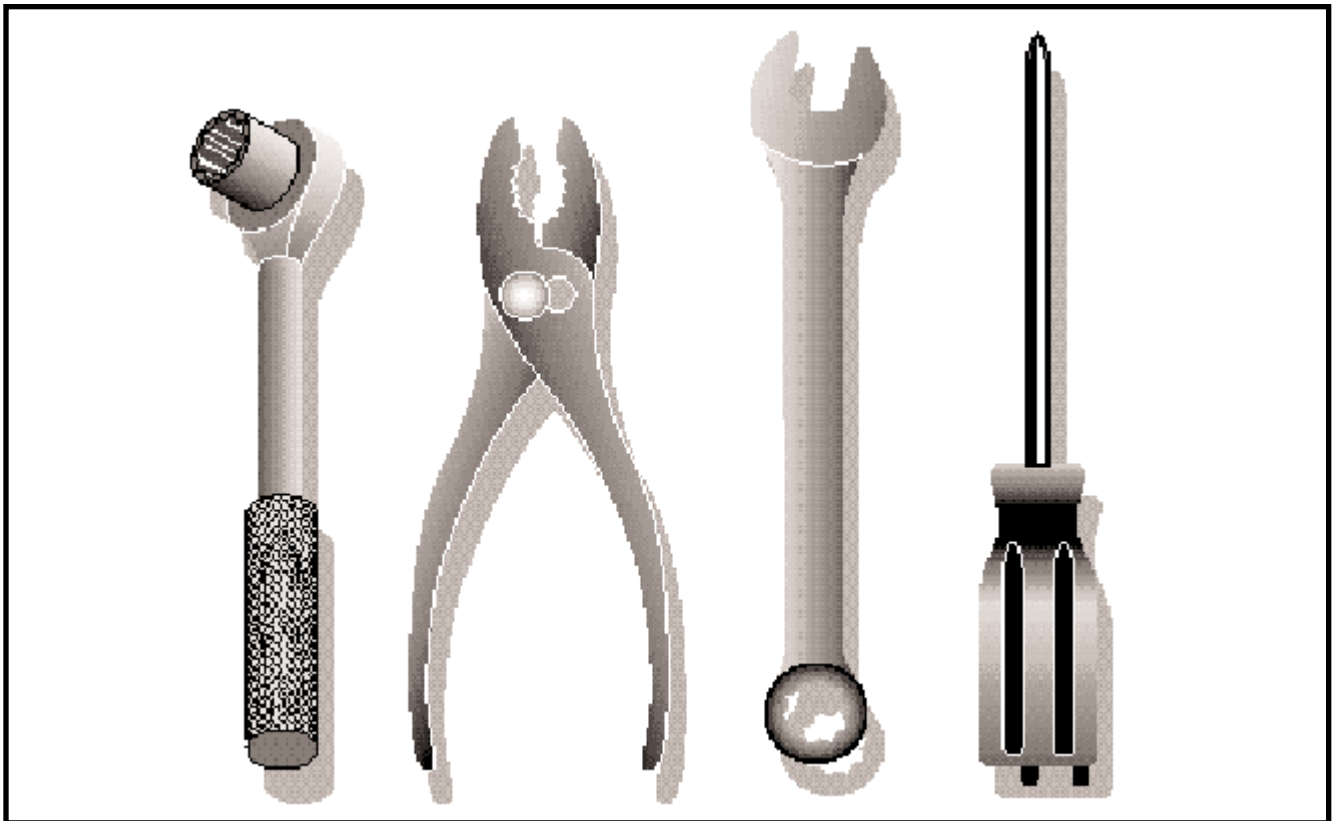


LT 1238 B

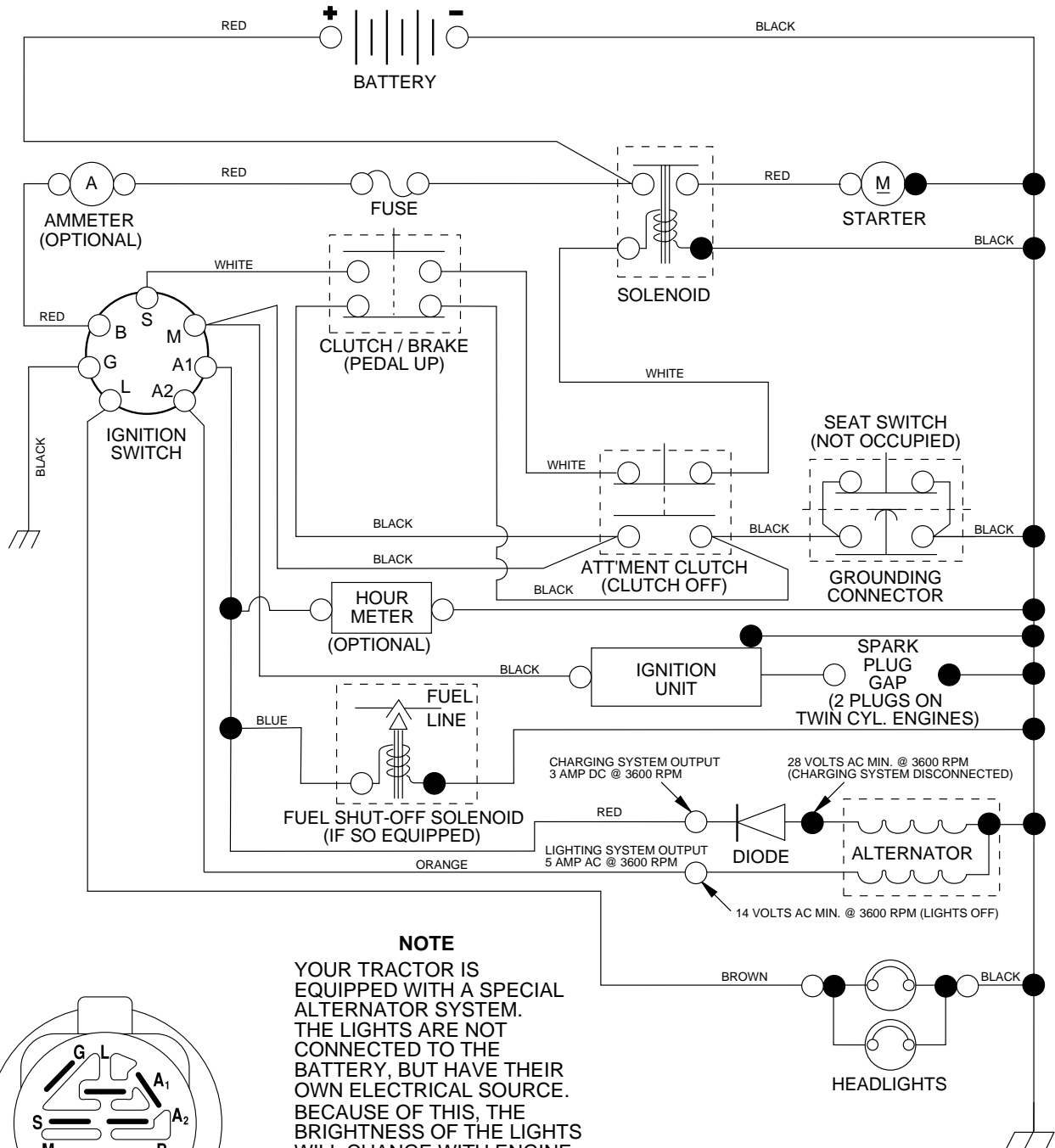
954567024



Repair Parts Manual

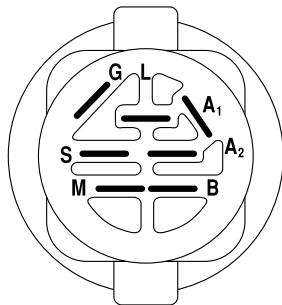
Ride Mower

TRACTOR - - MODEL NUMBER (LT1238) LT1238B, PRODUCT NO. 954 56 70-24 SCHEMATIC



NOTE

YOUR TRACTOR IS EQUIPPED WITH A SPECIAL ALTERNATOR SYSTEM. THE LIGHTS ARE NOT CONNECTED TO THE BATTERY, BUT HAVE THEIR OWN ELECTRICAL SOURCE. BECAUSE OF THIS, THE BRIGHTNESS OF THE LIGHTS WILL CHANGE WITH ENGINE SPEED. AT IDLE THE LIGHTS WILL DIM. AS THE ENGINE IS SPEEDED UP, THE LIGHTS WILL BECOME THEIR BRIGHTEST.



IGNITION SWITCH

| POSITION | CIRCUIT | "MAKE" |
|-----------|------------|--------|
| OFF | M+G+A1 | NONE |
| RUN/LIGHT | B+A1 | A2+L |
| RUN | B+A1 | NONE |
| START | B + S + A1 | NONE |

WIRING INSULATED CLIPS

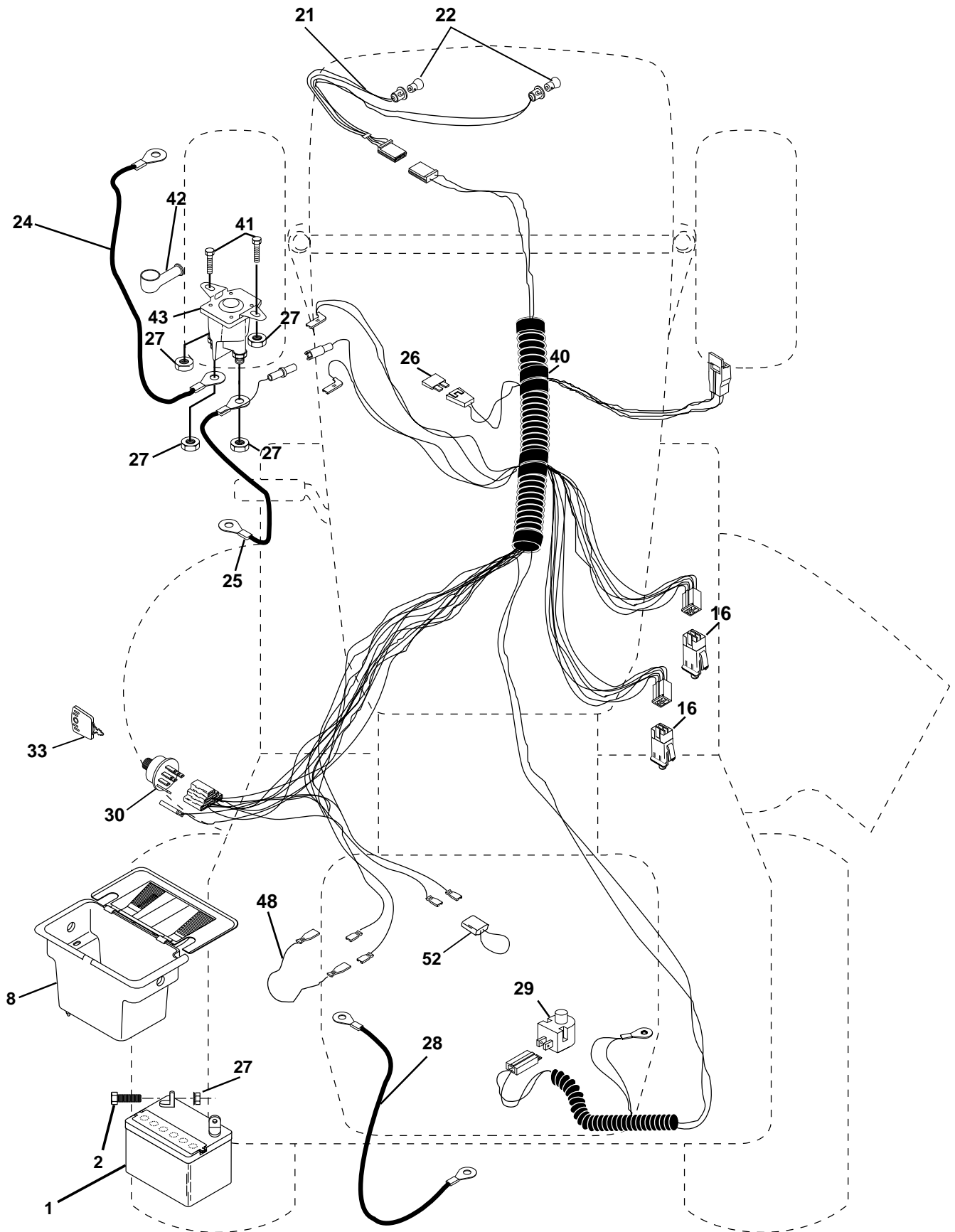
NOTE: IF WIRING INSULATED CLIPS WERE REMOVED FOR SERVICING OF UNIT, THEY SHOULD BE REPLACED TO PROPERLY SECURE YOUR WIRING.

NON-REMOVABLE CONNECTIONS

REMOVABLE CONNECTIONS

REPAIR PARTS

TRACTOR - - MODEL NUMBER (LT1238) LT1238B, PRODUCT NO. 954 56 70-24
ELECTRICAL



REPAIR PARTS

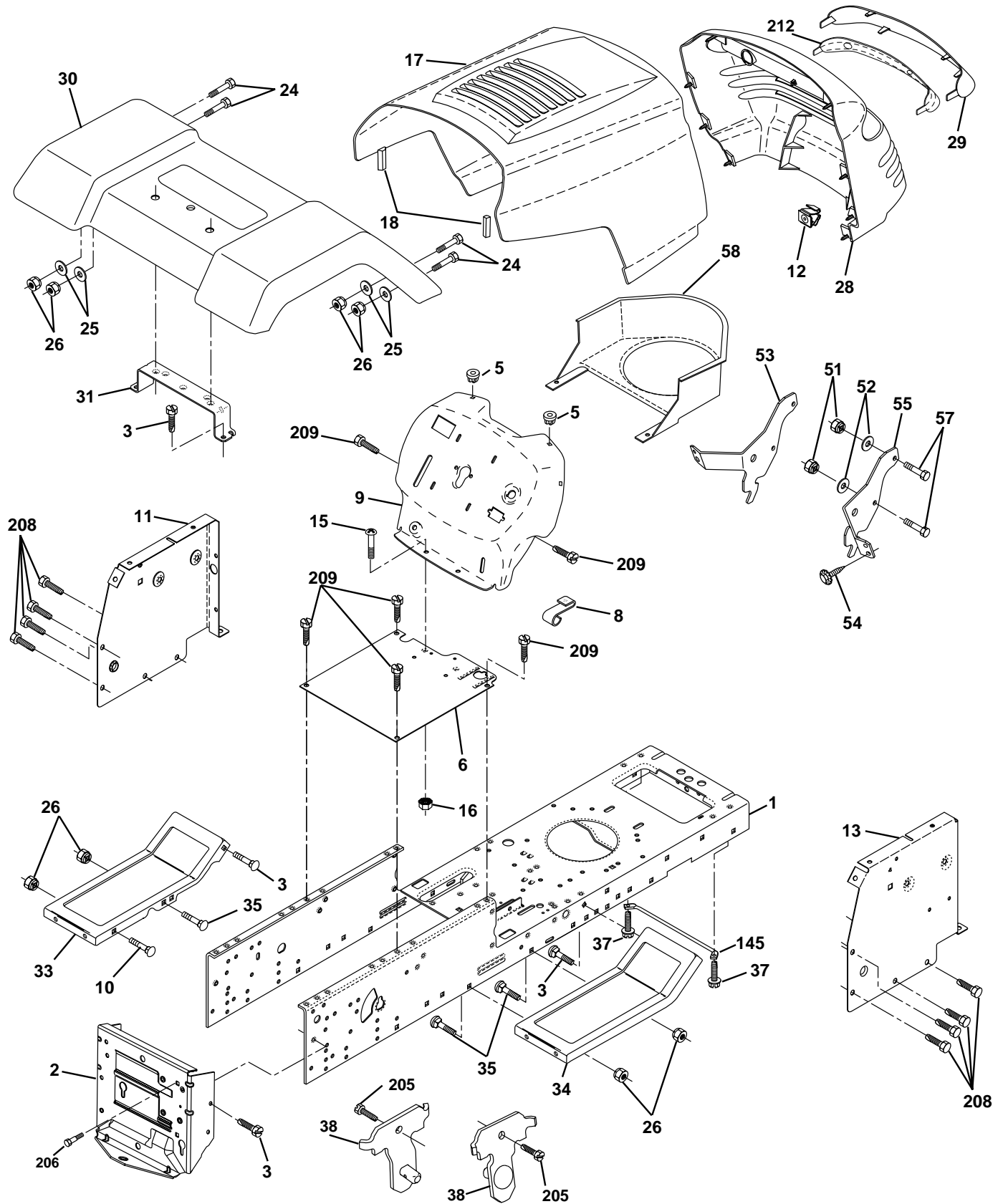
TRACTOR - - MODEL NUMBER (LT1238) LT1238B, PRODUCT NO. 954 56 70-24
ELECTRICAL

| KEY NO. | PART NO. | DESCRIPTION |
|---------|------------------|-----------------------------|
| 1 | 532144925 | Battery 12 Volt 25 Amp |
| 2 | 874760412 | Bolt Hex Hd 1/4-20unc X 3/4 |
| 8 | 532156417 | Case Battery Mech Hiinge |
| 16 | 532153664 | Switch Interlock Push-In |
| 21 | 532166181 | Harness Asm Light W/4152j |
| 22 | 532004152 | Bulb Light #1156 |
| 24 | 532124780 | Cable Battery 6 Ga 11"red |
| 25 | 532146147 | Cable Battery |
| 26 | 532175158 | Fuse |
| 27 | 873510400 | Nut Keps Hex 1/4-20 Unc |
| 28 | 532124773 | Cable Ground 6 Ga 12"black |
| 29 | 532121305 | Switch Plunger Nc Gray |
| 30 | 532175566 | Switch Ign |
| 33 | 532140401 | Key Ign |
| 40 | 532178437 | Harness Ign |
| 41 | 871110408 | Bolt Blk Fin Hex 1/4-20 |
| 42 | 532131563 | Cover Terminal Red |
| 43 | 532178861 | Solenoid |
| 48 | 532140844 | Adapter Ammeter |
| 52 | 532141940 | Protection Wire Loop |

NOTE: All component dimensions given in U. S. inches 1 inch = 25.4 mm.

REPAIR PARTS

TRACTOR - - MODEL NUMBER (LT1238) LT1238B, PRODUCT NO. 954 56 70-24
CHASSIS



REPAIR PARTS

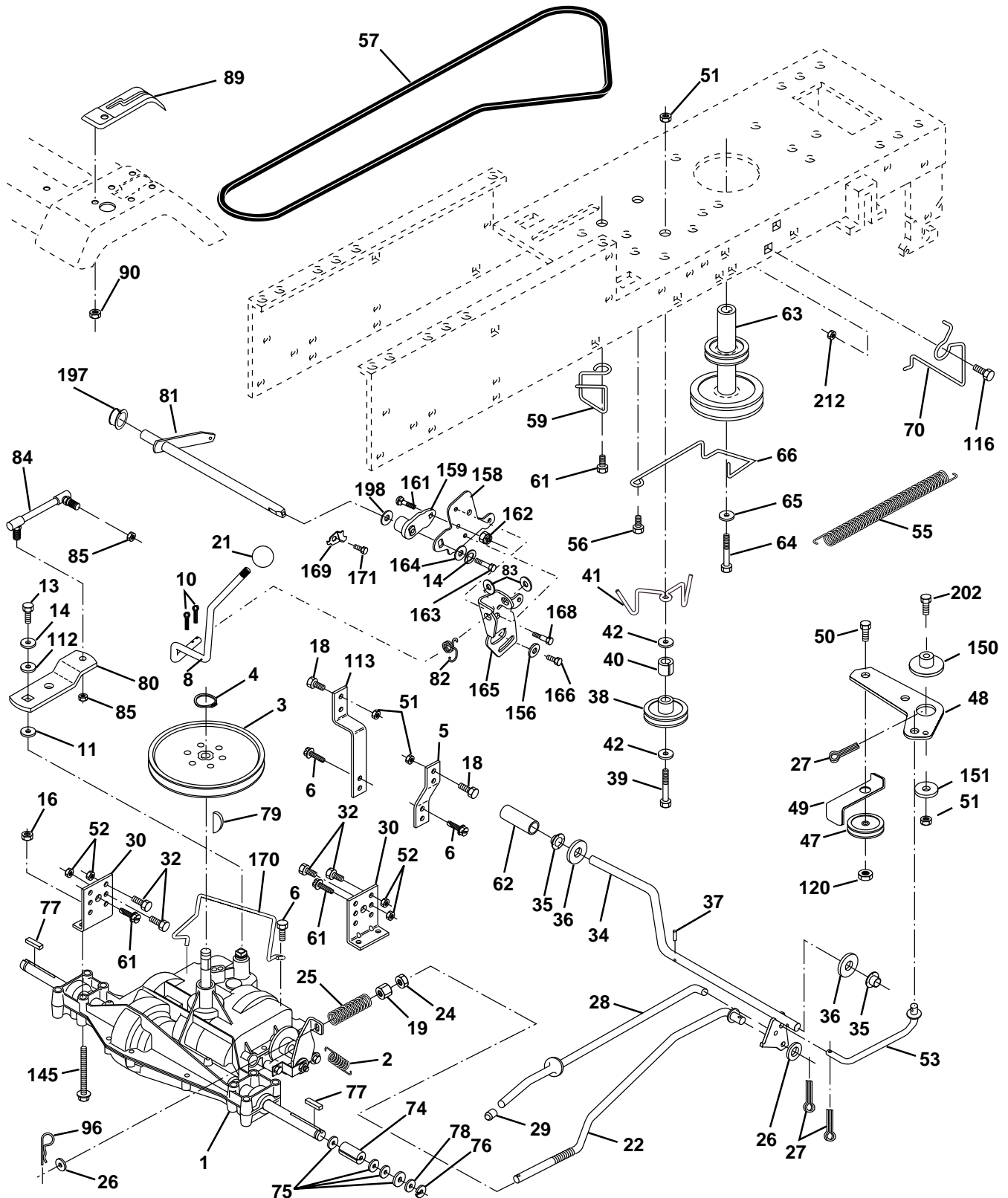
TRACTOR - - MODEL NUMBER (LT1238) LT1238B, PRODUCT NO. 954 56 70-24
CHASSIS

| KEY NO. | PART NO. | DESCRIPTION |
|---------|------------------|----------------------------------|
| 1 | 532174620 | Chassis |
| 2 | 532176554 | Drawbar |
| 3 | 817060612 | Screw 3/8-16 x 3/4 |
| 5 | 532155272 | Bumper, Hood/Dash |
| 6 | 532155923 | Saddle |
| 8 | 532155138 | Clip Retainer Slide-On |
| 9 | 532171796 | Dash |
| 10 | 872140608 | Bolt, Carriage 3/8-16 x 1 |
| 11 | 532155927 | Panel Dash LH |
| 12 | 532145660 | Clip Tinnerman Grille P.L |
| 13 | 532173025 | Panel Sikscr Dash RH |
| 15 | 874180512 | Screw Mach TRHD 5/16-18uncx3/4 |
| 16 | 873510500 | Nut Keps 5/16-18 Unc |
| 17 | 532162237 | Hood |
| 18 | 532126938 | BumperHood |
| 24 | 874780616 | Bolt Fin Hex 3/8-16unc X 1 Gr. 5 |
| 25 | 819131312 | Washer 13/32 X 13/16 X 12 Ga |
| 26 | 873800600 | Nut Lock Hex w/Ins 3/8-16 Unc |
| 28 | 532143499 | Grille/Lens Asm. |
| 29 | 532168154 | Lens Grille Private Label |
| 30 | 532177025 | Fender |
| 31 | 532136619 | Bracket Fender Repl 109873x |
| 33 | 532153539 | Footrest Pnt LH Perf |
| 34 | 532153538 | Footrest Pnt RH Perf |
| 35 | 872110606 | Bolt Rdhd Sht Sqnk 3/8-16 X3/4 |
| 37 | 817490508 | Screw Thdrol 5/16-18 x 1/2 TYT |
| 38 | 532175710 | Bracket Asm. Pivot Mower Rear |
| 51 | 873800400 | Nut Lock W/Insert 1/4-20unc |
| 52 | 819091416 | Washer 9/32 x 7/8x16 Ga. |
| 53 | 532144697 | Bracket Grille Lh |
| 54 | 532161464 | Screw Hex 8-18 x 7/8 |
| 55 | 532144696 | Bracket Grille Rh |
| 57 | 874780412 | Bolt Fin Hex 1/4-20 unc x .75 |
| 58 | 532150127 | Duct Air Engine PL/LT |
| 145 | 532156524 | Rod Pivot Chassis/Hood |
| 205 | 817490608 | Screw Thdrol 3/8-16 x 1/2 |
| 206 | 532170165 | Bolt Shoulder 5/16-18 |
| 208 | 817670608 | Screw Thdrol 3/8-16 x 1/2 |
| 209 | 817000612 | Screw Hex Wsh Thdrol 3/8-16 |
| 212 | 532156229 | Insert Lens Reflect |
| --- | 532005479 | Plug Button Blk 359 Dia Choke |

NOTE: All component dimensions given in U.S. inches
1 inch = 25.4 mm.

REPAIR PARTS

TRACTOR - - MODEL NUMBER (LT1238) LT1238B, PRODUCT NO. 954 56 70-24
DRIVE



REPAIR PARTS

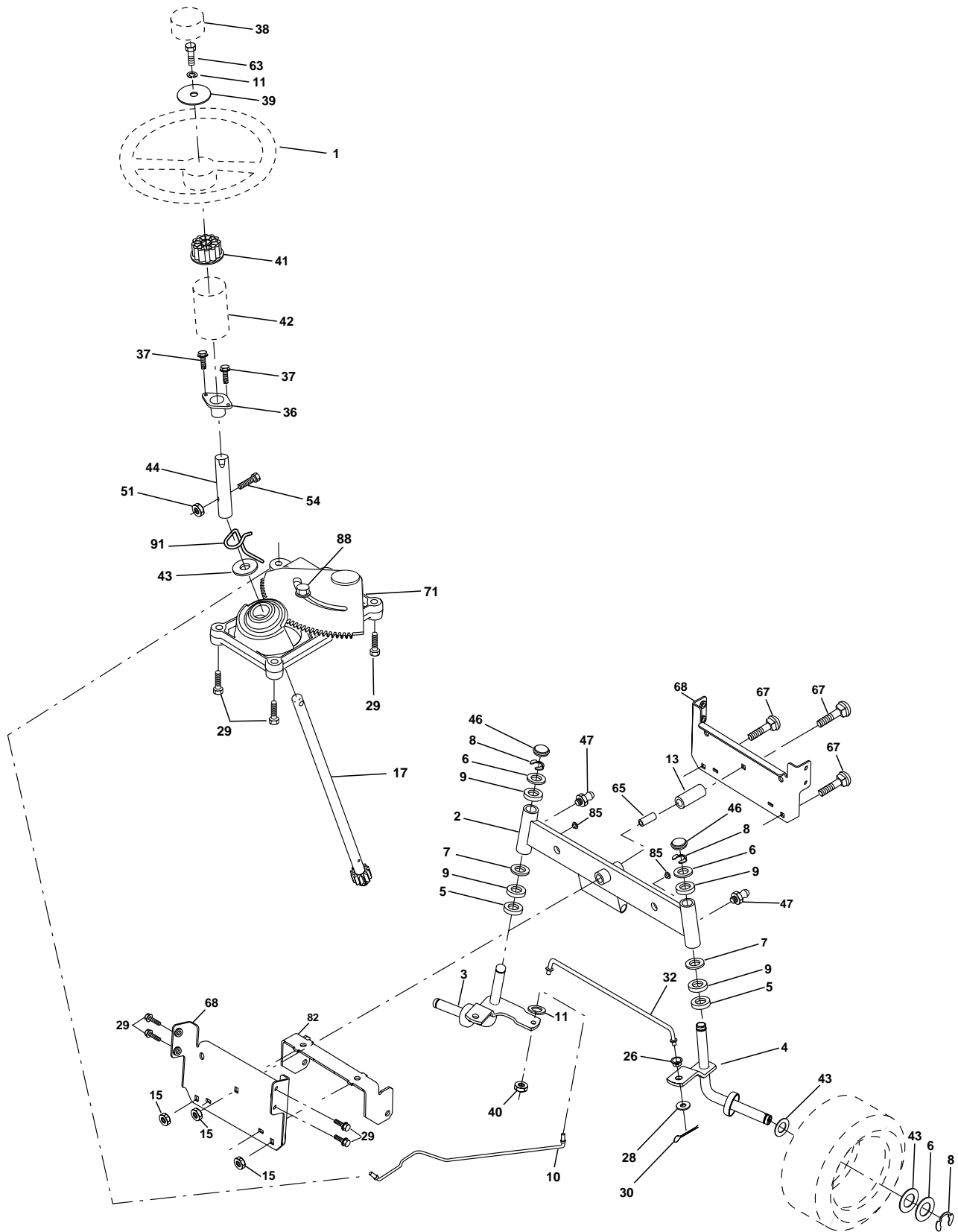
TRACTOR - - MODEL NUMBER (LT1238) LT1238B, PRODUCT NO. 954 56 70-24
DRIVE

| KEY NO. | PART NO. | DESCRIPTION | KEY NO. | PART NO. | DESCRIPTION |
|---------|------------------|---|---------|------------------|----------------------------------|
| 1 | ----- | Transaxle, Peerless 206-545C (Order parts from transaxle manufacturer) | 62 | 532124872 | Cover Pedal Blk Round |
| 2 | 532146682 | Spring Return Brake T/a Zinc | 63 | 532175410 | Engine Pulley |
| 3 | 532123666 | Pulley Transaxle 18" tires | 64 | 871170764 | Bolt Hex |
| 4 | 812000028 | Ring Retainer #5100-62 | 65 | 810040700 | Washer Lock Hvy Hlcl Spr 7/16 |
| 5 | 532121520 | Strap Torque 30 Degrees | 66 | 532154778 | Keeper Belt Engine Foolproof |
| 6 | 817060512 | Screw 5/16-18 x 3/4 | 70 | 532134683 | Guide Belt Mower Drive RH |
| 8 | 532165619 | Rod Shifter Fender Adj Lt | 74 | 532137057 | Spacer Axle |
| 10 | 876020416 | Pin Cotter 1/8 x 1 Cad | 75 | 532121749 | Washer 25/32 X 1 1/4 X 16 Ga |
| 11 | 532105701 | Washer Plate Shf 388 Sq Hole | 76 | 812000001 | E-ring #5133-75 |
| 13 | 874550412 | Bolt 1/4-28 Unf Gr 8 W/Patch | 77 | 532123583 | Key Square 2 0 X 1845/ 1865 |
| 14 | 810040400 | Washer Lock Hvy Helical 1/4 | 78 | 532121748 | Washer 25/32 X 1-5/8 X 16 Ga |
| 16 | 873800500 | Nut Lock | 79 | 532125096 | Key Woodruff |
| 18 | 874780616 | Bolt, Fin Hex 3/8-16 UNC x 1 Gr. 5 | 80 | 532131486 | Arm Shift |
| 19 | 873800600 | Nut Lock 3/8-16 Unc | 81 | 532165594 | Shaft Asm Cross Tapered 20"t |
| 21 | 532106933 | Knob | 82 | 532123782 | Spring Torsion T/a |
| 22 | 532130804 | Rod Brake Blk Zinc 26 840 | 83 | 819171216 | Washer 17/32 X 3/4 X 16 Ga |
| 24 | 873350600 | Nut Hex Jam 3/8-16 Unc | 84 | 532166228 | Link Transaxle |
| 25 | 532106888 | Spring Rod Brake 2 00 Zinc | 85 | 532150360 | Nut Lock Center 1/4 - 28 FNTHD |
| 26 | 819131316 | Washer 13/32 X 13/16 X 16 Ga | 89 | 532177031 | Console Shift STLT |
| 27 | 876020412 | Pin Cotter 1/8 X 3/4 Cad | 90 | 532124346 | Nut Self-thd Wsh-hd 1/4 Zinc |
| 28 | 532175765 | Rod Brake Parking | 96 | 532124788 | Retainer Spring |
| 29 | 532071673 | Cap Brake Parking | 112 | 819091210 | Washer 9/32 x 3/4 x 10 Ga. |
| 30 | 532174973 | Bracket Mtg Transaxle | 113 | 532127285 | Strap Torque Lh |
| 32 | 874760512 | Bolt Hex Hd 5/16-18unc X 3/4 | 116 | 872140608 | Bolt Rdhd Sq Neck 3/8-16 x 1.00 |
| 34 | 532175578 | Shaft Asm Pedal Foot | 120 | 873900600 | Nut Lock Flg 3/8-16 |
| 35 | 532120183 | Bearing Nylon Blk 629 Id | 145 | 874490540 | Bolt Hex 5/16-18 Gr. 5 |
| 36 | 819211616 | Washer 21/32 X 1 X 16 Ga | 150 | 532175456 | Spacer Retainer |
| 37 | 532124963 | Pin Roll 3/16 X 1" | 151 | 819133210 | Washer 13/32 x 2 x 10 |
| 38 | 532165936 | Pulley Idler Flat | 156 | 532166002 | Washer Srrted 5/16 ID x 1.125 |
| 39 | 874760648 | Bolt Fin Hex 3/8-16unc X 3 | 158 | 532165589 | Bracket Shift Mount |
| 40 | 532175461 | Spacer Split | 159 | 532165494 | Hub Tapered Flange Shift Lt |
| 41 | 532175556 | Keeper Belt Retainer Idler | 161 | 872140406 | Bolt Rdhd Sqnk 1/4-20 x 3/4 Gr 5 |
| 42 | 819131312 | Washer 13/32 X 13/16 X 12 Ga | 162 | 873680400 | Nut Crownlock 1/4-20 Unc |
| 47 | 532127783 | Pulley Idler V Groove Plastic | 163 | 874780416 | Bolt Hex Fin 1/4-20 Unc x 1 Gr 5 |
| 48 | 532154407 | Bellcrank Asm | 164 | 819091010 | Washer 5/8 x .281 x 10 Ga |
| 49 | 532123205 | Retainer Belt Style Spring | 165 | 532165623 | Bracket Pivot Lever |
| 50 | 874760624 | Bolt Hex Hd 3/8-16unc X 1-1/2 | 166 | 532166880 | Screw 5/16-18 x 5/8 |
| 51 | 873680600 | Nut Crownlock 3/8-16 Unc | 168 | 532165492 | Bolt Shoulder 5/16-18 x .561 |
| 52 | 873680500 | Nut Crownlock 5/16-18 Unc | 169 | 532165581 | Plate Fastening Lt |
| 53 | 532105710 | Link Clutch | 170 | 532173898 | Keeper Belt T/A |
| 55 | 532105709 | Spring Return Clutch 6 75 | 171 | 817490608 | Screw Thdrol 3/8-16 x 1/2 |
| 56 | 817060616 | Screw 3/8-16 X 1.0 | 197 | 532169613 | Nyliner, Snap - in |
| 57 | 532130801 | V-Belt Ground Drive | 198 | 532169593 | Washer, Nyl. |
| 59 | 532169691 | Keeper Belt Span Ctr | 202 | 872110614 | Bolt, Carriage 3/8 - 16 x 1-3/4 |
| 61 | 817060612 | Screw 3/8-16 x 3/4 | 212 | 532145212 | Nut Flange Hex Lock |

NOTE: All component dimensions given in U.S. inches
1 inch = 25.4 mm

REPAIR PARTS

TRACTOR - - MODEL NUMBER (LT1238) LT1238B, PRODUCT NO. 954 56 70-24
STEERING



REPAIR PARTS

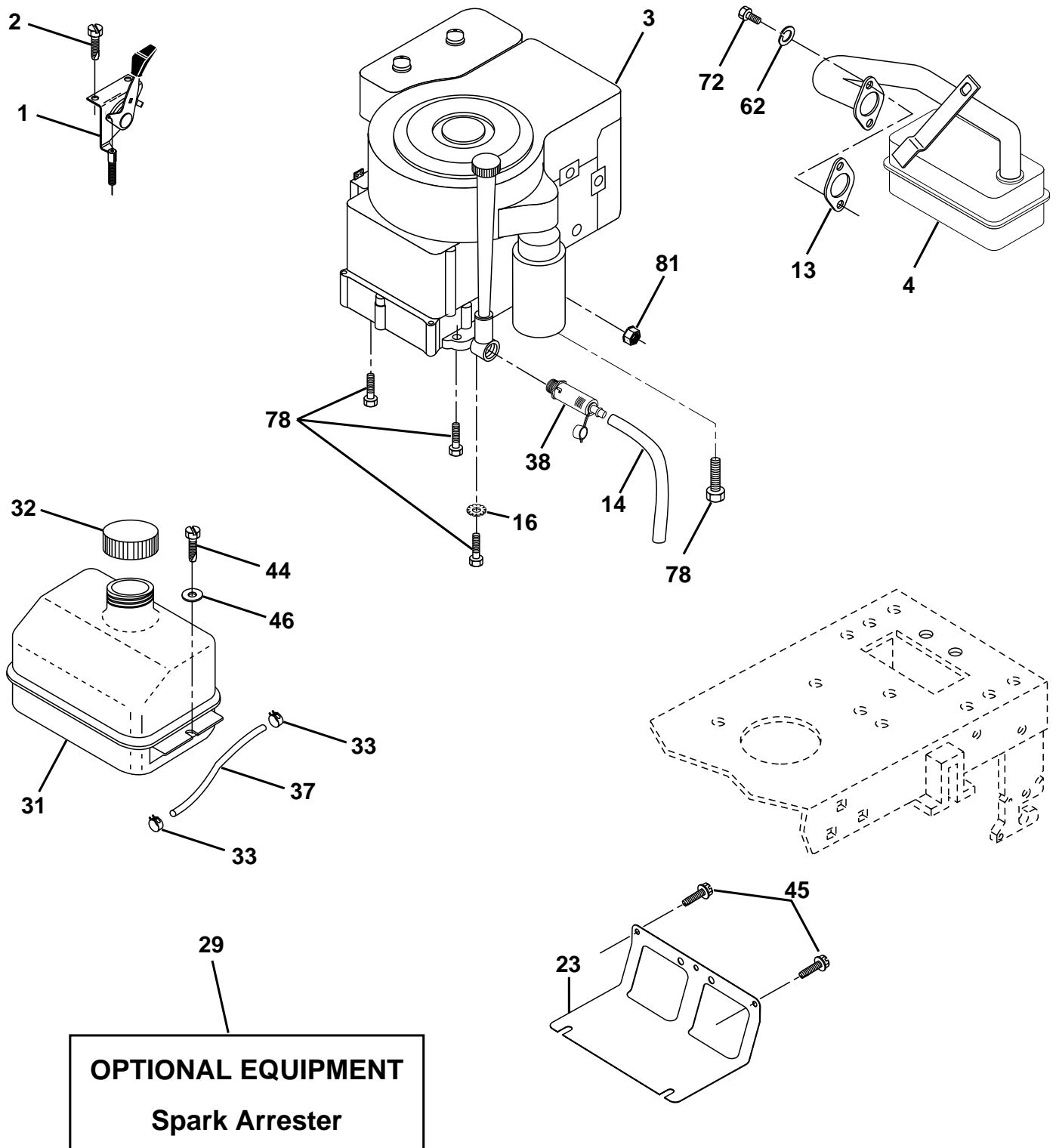
TRACTOR - - MODEL NUMBER (LT1238) LT1238B, PRODUCT NO. 954 56 70-24
STEERING

| KEY NO. | PART NO. | DESCRIPTION |
|---------|------------------|---------------------------------|
| 1 | 532124415 | Wheel Steering |
| 2 | 532154427 | Axle Asm |
| 3 | 532169840 | Spindle Asm LH |
| 4 | 532169839 | Spindle Asm RH |
| 5 | 532124931 | Bearing Race Thrust Harden |
| 6 | 532121748 | Washer 25/32 X 1-5/8 X 16 Ga |
| 7 | 819272016 | Washer 27/32 X 1-1/4 X 16 Ga |
| 8 | 812000029 | Ring Klip #t5304-75 |
| 9 | 532124937 | Bearing Col Strg Blk |
| 10 | 532175121 | Link Drag |
| 11 | 810040600 | Washer Lock Hvy Hlcl Spr 3/8 |
| 13 | 532136518 | Spacer earing Axle Front |
| 15 | 532145212 | Hexflange Lock |
| 17 | 532177876 | Shaft Asm Strg |
| 26 | 532126847 | Bushing Link Drag Blk LR |
| 28 | 819131416 | Washer 13/32 X 7/8 X 16 Ga |
| 29 | 817060612 | Screw 3/8-16 x 3/4 |
| 30 | 876020412 | Pin Cotter 1/8 X 3/4 Cad |
| 32 | 532130465 | Rod Tie Wire Form 19 75 Mech |
| 36 | 532155099 | Bushing Strg 5/8 Id Dash |
| 37 | 532152927 | Screw |
| 38 | 532124416 | Cap Wheel Steer |
| 39 | 819133812 | Washer 13/32 x 2-3/8 x 12 Ga. |
| 40 | 532124701 | Nut Lock Center 3/8-24un |
| 41 | 532100711 | Adaptor Wheel Strg |
| 42 | 532169634 | Boot Dash Mtl Steering Blk |
| 43 | 532121749 | Washer 25/32 X 1 1/4 X 16 Ga |
| 44 | 532153720 | Extension Steering |
| 46 | 532121232 | Cap Spindle Fr Top Blk |
| 47 | 532124836 | Fitting Grease |
| 51 | 873800500 | Nut Lock Hex W/Ins 5/16-18 |
| 54 | 874780520 | Bolt Fin Hex 3/8-16unc x 1-1/4 |
| 63 | 874780616 | Bolt Fin Hex 3/8-16unc x 1 Gr.5 |
| 65 | 532160367 | Spacer Brace Axle |
| 67 | 872140618 | Bolt Fin Hex 5/8-11 unc x 2-3/4 |
| 68 | 532169827 | Brace Axle |
| 71 | 532175146 | Steering Asm |
| 82 | 532169835 | Bracket Susp Chassis Front |
| 85 | 532133835 | Fastener Christmas Tree |
| 88 | 532175118 | Bolt shoulder 7/16-20 |
| 91 | 532175553 | Clip Steering |

NOTE: All component dimensions given in U.S. inches
1 inch = 25.4 mm.

REPAIR PARTS

TRACTOR - - MODEL NUMBER (LT1238) LT1238B, PRODUCT NO. 954 56 70-24
ENGINE



REPAIR PARTS

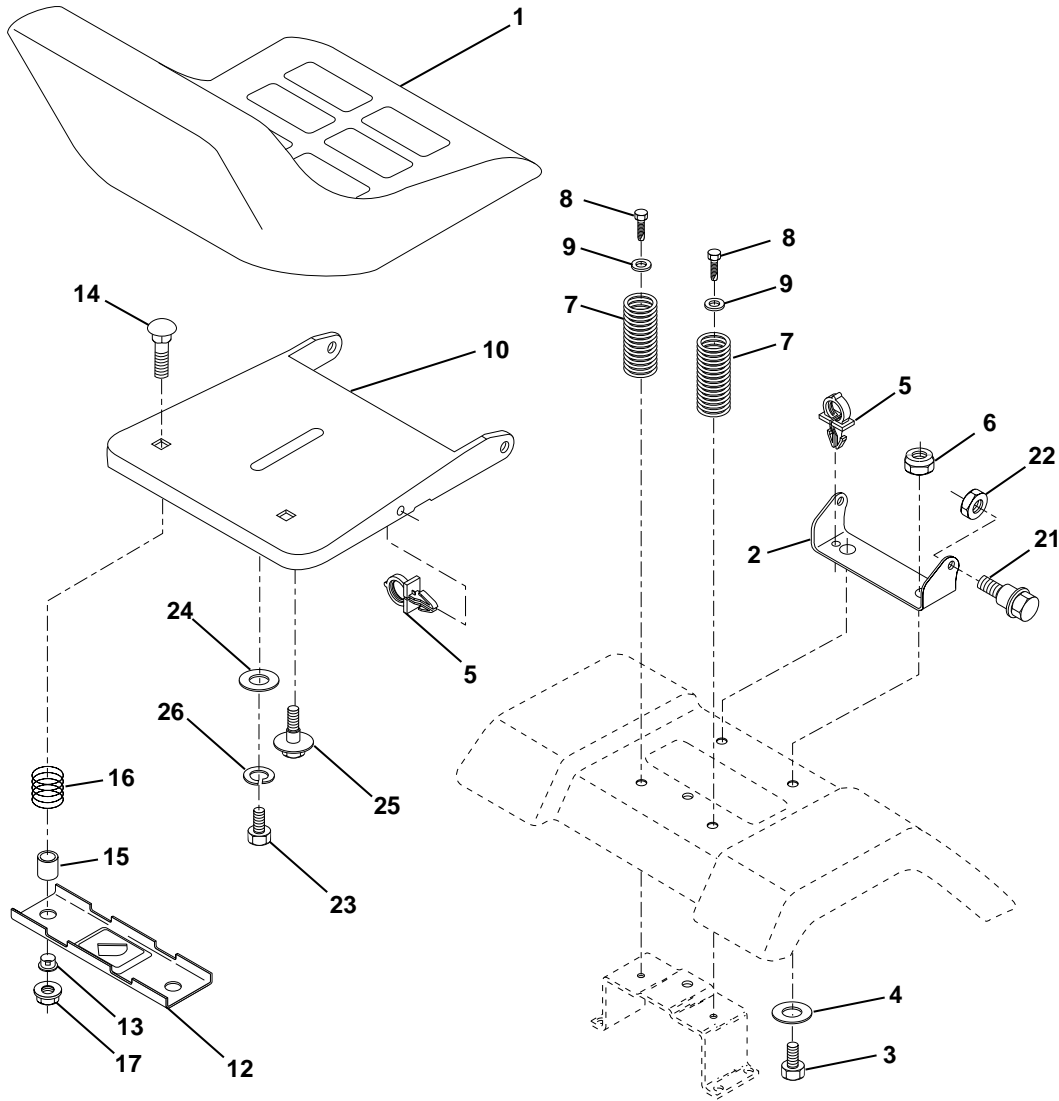
TRACTOR - - MODEL NUMBER (LT1238) LT1238B, PRODUCT NO. 954 56 70-24
ENGINE

| KEY NO. | PART NO. | DESCRIPTION |
|---------|-----------|--|
| 1 | 532170551 | Control Th/ch Flag |
| 2 | 817720410 | Screw Hex Thd Cut 1/4-20x5/8 T |
| 3 | ----- | Engine, B&S 289707 (Order parts from engine manufacturer) |
| 4 | 532137348 | Muffler Exhaust B&S Lc |
| 13 | 532165291 | Gasket Eng 1 313 Id Tin Plated |
| 14 | 532148456 | Tube Drain Oil Easy |
| 16 | 811050600 | Washer Lock Ext Tooth 3/8 |
| 23 | 532169837 | Shield BRN/DBR Guard |
| 29 | 532137180 | Kit Spark Arrestor (Flat Scrn) |
| 31 | 532109202 | Tank Fuel Front |
| 32 | 532140527 | Cap Asm Fuel |
| 33 | 532123487 | Clamp Hose |
| 37 | 532137040 | Line Fuel 20" |
| 38 | 532148315 | Plug Drain Oil Easy |
| 44 | 817670412 | Screw Thdrol 1/4-20 x 3/4 |
| 45 | 817000612 | Screw Hex Wsh Thdrol 3/8-16 |
| 46 | 819091416 | Washer 9/32 X 7/8 X 16 Ga |
| 62 | 810040500 | Washer Lock Hvy Hlcl Spr |
| 72 | 871070512 | Screw Hexcap 5/16-18 x 3/4 |
| 78 | 817060620 | Screw 3/8-16 x 1-1/4 |
| 81 | 873510400 | Nut Keps Hex 1/4-20 Unc |

NOTE: All component dimensions given in U.S. inches
1 inch = 25.4 mm

REPAIR PARTS

TRACTOR - - MODEL NUMBER (LT1238) LT1238B, PRODUCT NO. 954 56 70-24
SEAT



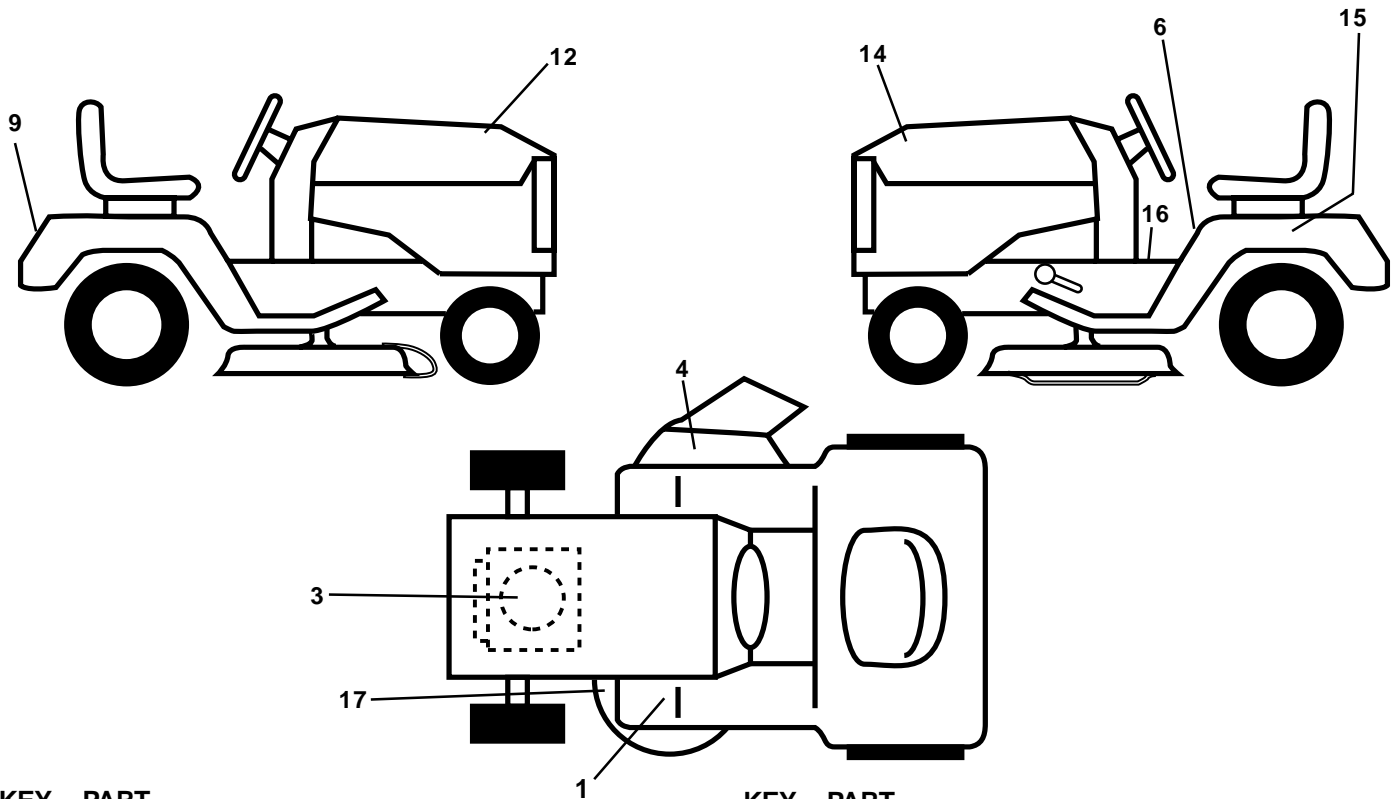
| KEY NO. | PART NO. | DESCRIPTION |
|---------|-----------|--------------------------------|
| 1 | 532130875 | Seat |
| 2 | 532140551 | Bracket Seat Pivot |
| 3 | 871110616 | Bolt Hex 3/8 - 16 X 1 |
| 4 | 819131610 | Washer 13/32 X 1 X10Ga. |
| 5 | 532145006 | Clip Push-In Hinged |
| 6 | 873800600 | Nut Lock Hex w/Ins 3/8 - 16 |
| 7 | 532124181 | Spring Seat Cprsn 2 250 Blk Zi |
| 8 | 817000616 | Screw 3/8-16 x 1.5 |
| 9 | 819131614 | Washer 13/32 X 1 X 14 Ga |
| 10 | 532174894 | Pan Pnt Seat (Blk) |
| 12 | 532121246 | Bracket Pnt Mounting Switch |
| 13 | 532121248 | Bushing Snap Blk Nyl |

| KEY NO. | PART NO. | DESCRIPTION |
|---------|-----------|------------------------------------|
| 14 | 872050412 | Bolt Rdhd Sht Nk 1/4 - 20 X 1 -1/2 |
| 15 | 532134300 | Spacer Split .28 X .96 |
| 16 | 532121250 | Spring Cprsn |
| 17 | 532123976 | Nut Lock 1/4 Lge Flg |
| 21 | 532171852 | Bolt Shoulder 5/16-18 Unc-2A |
| 22 | 873800500 | Nut Lock Hex w/Ins 5/16 - 18 |
| 23 | 871110814 | Bolt Hex Black |
| 24 | 819171912 | Washer 17/32 X 1-3/16 X 12 Ga |
| 25 | 532127018 | Bolt Shoulder 5/16-18 X .62 |
| 26 | 810040800 | Washer Lock Hvy Hlcl Spr 1/2 |

NOTE: All component dimensions given in U.S. inches
1 inch = 25.4 mm.

REPAIR PARTS

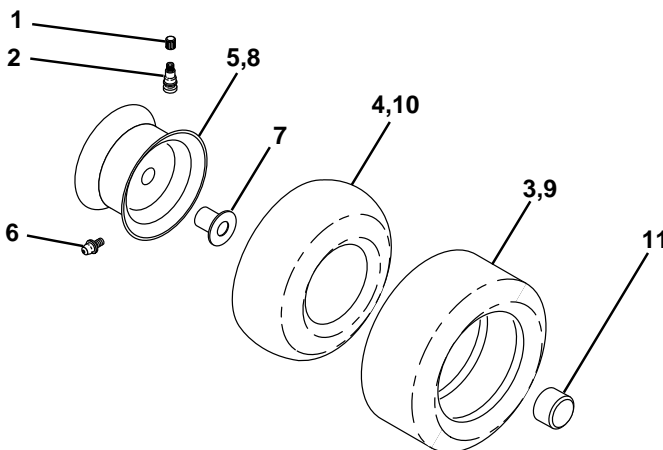
TRACTOR - - MODEL NUMBER (LT1238) LT1238B, PRODUCT NO. 954 56 70-24
DECALS



| KEY NO. | PART NO. | DESCRIPTION |
|---------|-----------|---------------------------------|
| 1 | 532101892 | Decal, Clutch/Brake Eng/Fr |
| 3 | 532170839 | Decal, Engine HP |
| 4 | 532170563 | Decal Warning |
| 6 | 532157140 | Decal, Fender Danger English |
| 9 | 532176822 | Decal Fender |
| 12 | 532176769 | Decal, Hood RH |
| 14 | 532176770 | Decal, Hood LH |
| 15 | 532145005 | Decal, Caution, Battery |
| 16 | 532157163 | Decal, Oper Sdl P/L Gear Dr Eng |
| 17 | 532136832 | Decal, V-Belt Sch. |
| -- | 532138311 | Decal, Handle Lft Height Adj. |

| KEY NO. | PART NO. | DESCRIPTION |
|--|------------------|-------------------------|
| -- | 532178095 | Manual, Owner's English |
| -- | 532178096 | Manual, Owner's French |
| Available accessories not included with mower: | | |
| -- | C38 | Grass Catcher |
| -- | MK38 | Mulch Kit w/Blades |
| -- | LSB42 | 42" Snow Blower |
| -- | LC05 | Wheel Weights |
| -- | LBD48 | 48" Snow Blade |
| -- | CH11 | Tire Chains |

WHEELS & TIRES

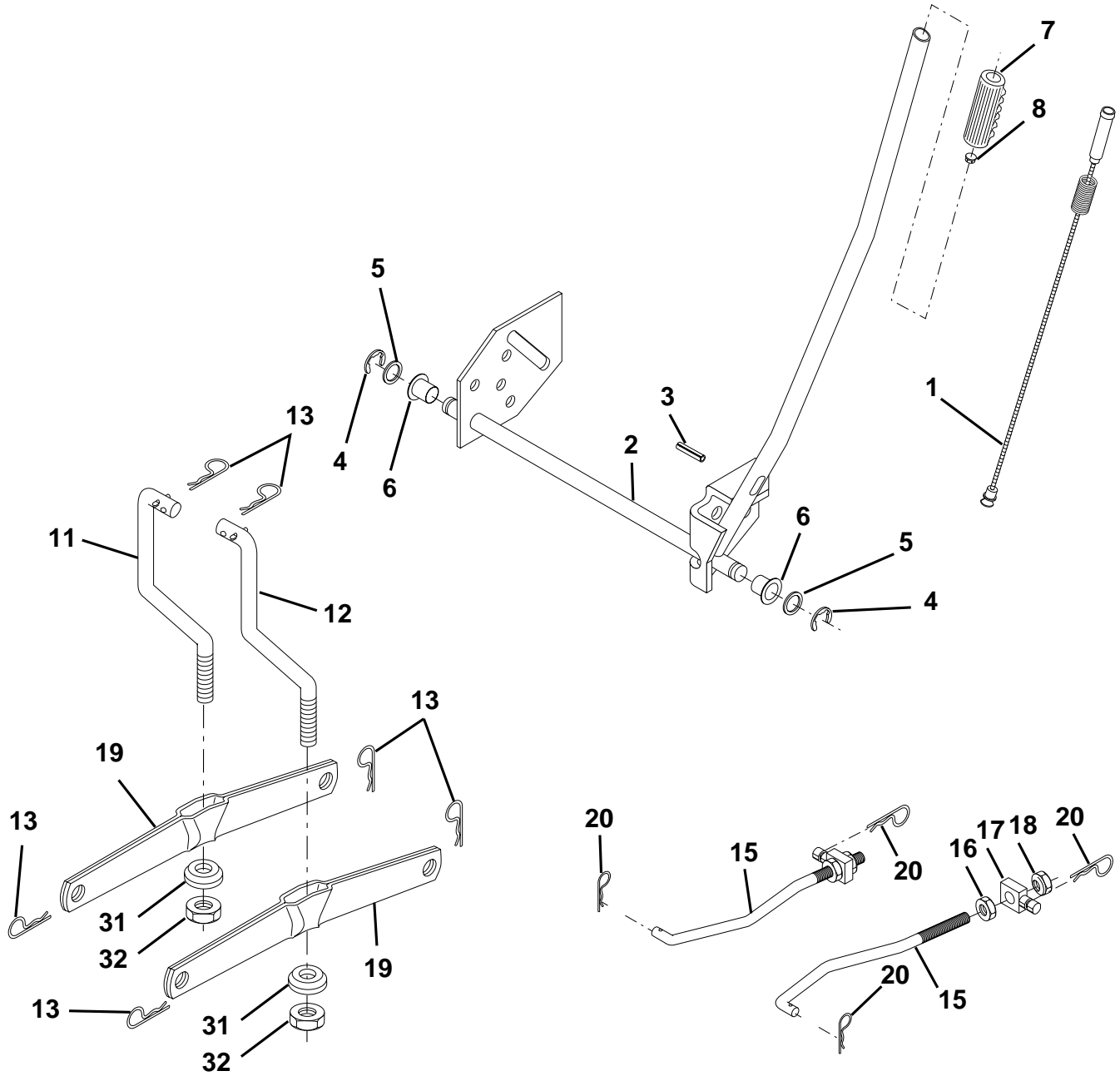


| KEY NO. | PART NO. | DESCRIPTION |
|---------|-----------|------------------------------------|
| 1 | 532059192 | Cap, Tire valve |
| 2 | 532065139 | Stem, Valve |
| 3 | 532106222 | Tire, Front |
| 4 | 532059904 | Tube, Front (Service item only) |
| 5 | 532138336 | Rim assembly, 6" front |
| 6 | 532124957 | Fitting, Grease (Front wheel only) |
| 7 | 532124959 | Bearing, Flange (Front wheel only) |
| 8 | 532138337 | Rim assembly, 8" rear |
| 9 | 532124635 | Tire, Rear |
| 10 | 532124926 | Tube, Rear (Service item only) |
| 11 | 532175039 | Cap, Hub Axle |
| -- | 532144334 | Sealant, Tire (10 oz. Tube) |

NOTE: All component dimensions given in U.S. inches
1 inch = 25.4 mm

REPAIR PARTS

TRACTOR - - MODEL NUMBER (LT1238) LT1238B, PRODUCT NO. 954 56 70-24
MOWER LIFT



REPAIR PARTS

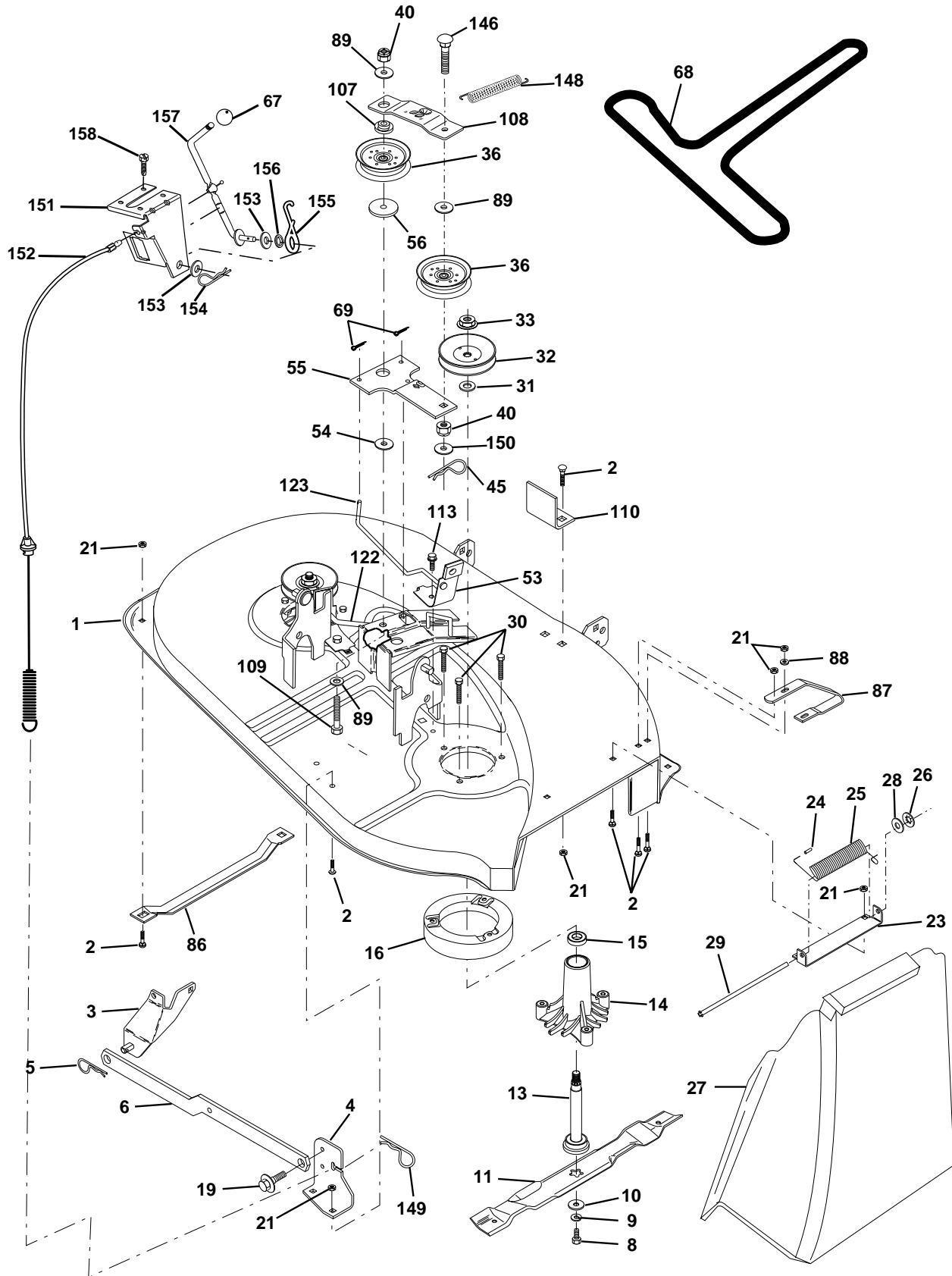
TRACTOR - - MODEL NUMBER (LT1238) LT1238B, PRODUCT NO. 954 56 70-24
MOWER LIFT

| KEY NO. | PART NO. | DESCRIPTION |
|---------|------------------|-------------------------------|
| 1 | 532159460 | Wire Asm Inner/Sprg w/plunger |
| 2 | 532159471 | Shaft Asm Lift RH |
| 3 | 532105767 | Pin Groove 1 500 Zinc |
| 4 | 812000002 | E Ring #5133-62 |
| 5 | 819211621 | Washer 21/32 X 1 X 21 Ga |
| 6 | 532120183 | Bearing Nylon Blk 629 Id |
| 7 | 532109413 | Grip Handle Bicycle Matte Blk |
| 8 | 532124526 | Button Plunger Black |
| 11 | 532139865 | Link Lift LH Fixed Length |
| 12 | 532139866 | Link Lift RH Fixed Length |
| 13 | 532124670 | Retainer Spring |
| 15 | 532173288 | Link Front |
| 16 | 873350800 | Nut Jam Hex 1/2-13 Unc |
| 17 | 532175689 | Trunnion |
| 18 | 873800800 | Nut Lockw/Wsh 1/2-13 Unc |
| 19 | 532139868 | Arm Suspension Rear |
| 20 | 532163552 | Retainer, Spring |
| 31 | 532169865 | Bearing Pvt Lift |
| 32 | 873540600 | Nut Crownlock 3/8-24 |

NOTE: All component dimensions given in U.S. inches
1 inch = 25.4 mm.

REPAIR PARTS

TRACTOR - - MODEL NUMBER (LT1238) LT1238B, PRODUCT NO. 954 56 70-24
MOWER DECK



REPAIR PARTS

TRACTOR - - MODEL NUMBER (LT1238) LT1238B, PRODUCT NO. 954 56 70-24
MOWER DECK

| KEY NO. | PART NO. | DESCRIPTION | KEY NO. | PART NO. | DESCRIPTION |
|---------|------------------|--|---------|-----------|--|
| 1 | 532170280 | Mower Housing Assembly | 55 | 532133840 | Idler Arm Assembly |
| 2 | 872140506 | Bolt Carriage 5/16-18 x 3/4 | 56 | 532165723 | Spacer, Retainer |
| 3 | 532138017 | Bracket Asm Fr. Sway Bar | 67 | 532106932 | Knob |
| 4 | 532169970 | Bracket Deck Sway Bar 38"/42" | 68 | 532144200 | V-Belt, 42" Mower |
| 5 | 532124670 | Retainer Spring | 69 | 876020312 | Pin, Cotter 3/32 x 3/4 |
| 6 | 532130832 | Arm, Suspension, Rear | 86 | 532125074 | Runner, LH |
| 8 | 532850857 | Bolt 3/8-24 x 1.25 Grade 8 | 87 | 532128772 | Runner, RH |
| 9 | 810030600 | Washer, Lock 3/8 | 88 | 819111216 | Washer 11/32 x 3/4 x 16 Ga |
| 10 | 532140296 | Washer, Hardened | 89 | 819131612 | Washer 13/32 x 1 x 12 Ga. |
| 11 | 532138497 | Blade Mower | 107 | 532133502 | Spacer Retainer |
| 13 | 532137645 | Shaft Assembly, Mandrel, Vented (Includes Key Number 6) | 108 | 532133503 | Stiffener, Idler Arm |
| 14 | 532128774 | Housing, Mandrel, Vented | 109 | 874760640 | Bolt, Hex Hd 3/8-16 x 2-1/2 |
| 15 | 532110485 | Bearing, Ball, Mandrel | 110 | 532142587 | Upstop Deck Front 38" |
| 16 | 532174493 | Stripper, Mower Deck | 113 | 817060512 | Screw 5/16-1/ x 3/4 |
| 19 | 532132827 | Bolt, Shoulder | 122 | 532131289 | Rod, Brake LH |
| 21 | 873680500 | Nut | 123 | 532169971 | Rod, Brake RH |
| 23 | 532137607 | Bracket, Mower Deflector | 146 | 532165891 | Bolt Carriage Idler |
| 24 | 532105304 | Cap, Sleeve | 148 | 532169022 | Spring Return Idler |
| 25 | 532123713 | Spring, Torsion, Deflector | 149 | 532165898 | Retainer Spring Yellow |
| 26 | 532110452 | Nut, Push | 150 | 819091216 | Washer 9/32 x 3/4 x 16 Ga. |
| 27 | 532175943 | Shield, Deflector | 151 | 532169670 | Bracket Clutch Cable |
| 28 | 819111016 | Washer 11/32 x 5/8 x 16 Gauge | 152 | 532172758 | Clutch Cable 38"/46" |
| 29 | 532106735 | Rod, Hinge | 153 | 532169674 | Washer Flat 3/8" Type B |
| 30 | 532157722 | Screw Thdrol. Washer Head | 154 | 532169675 | Spring Retainer |
| 31 | 532129963 | Washer, Spacer | 155 | 532169671 | Spring Retention LVR CLTCH CAB |
| 32 | 532153532 | Pulley, Mandrel | 156 | 532169672 | Spacer Clutch Cable |
| 33 | 532178342 | Nut, Toplock | 157 | 532169669 | Rod Clutch Cable 3/8" |
| 36 | 532131494 | Pulley, Idler, Flat | 158 | 817720410 | Screw Hex Thd Cut 1/4-20 x 5/8 |
| 40 | 873680600 | Nut, Crownlock 3/8-16 Unc | -- | 532130794 | Mandrel Assembly (Includes Key Numbers 13-15, 17-19, 31 and 33) |
| 45 | 532124788 | Retainer | -- | 532170317 | Mower Deck, Complete |
| 53 | 532130840 | Brake Assembly | | | |
| 54 | 532133943 | Washer, Hardened | | | |

NOTE: All component dimensions given in U.S. inches
1 inch = 25.4 mm