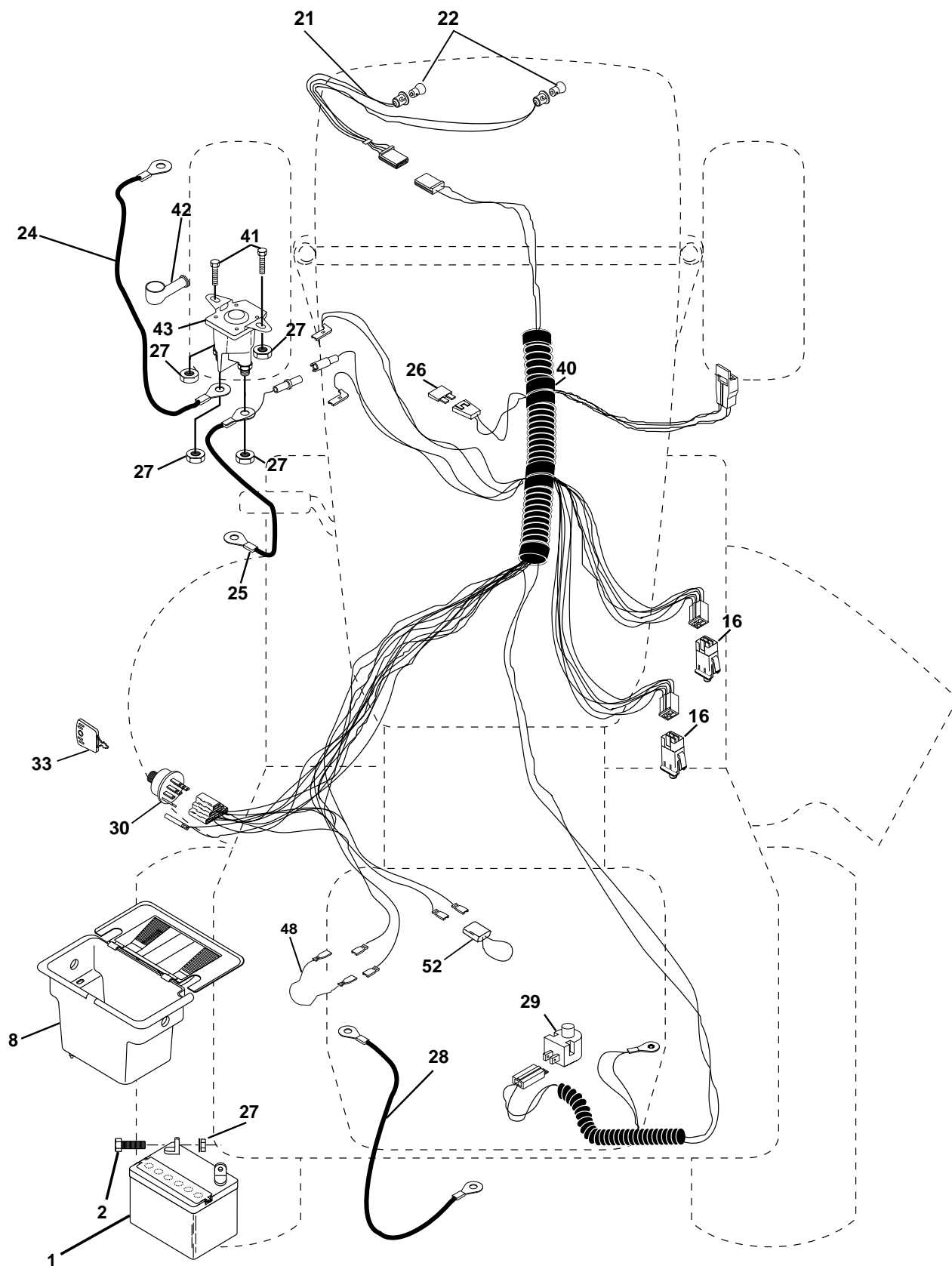


LTH130

Spare parts
Ersatzteile
Pièces détachées
Reserve onderdelen
Repuestos
Reservdelar

REPAIR PARTS

TRACTOR - MODEL NO. LTH130 (HELTH130B), PRODUCT NO. 954 17 00-36
ELECTRICAL



REPAIR PARTS

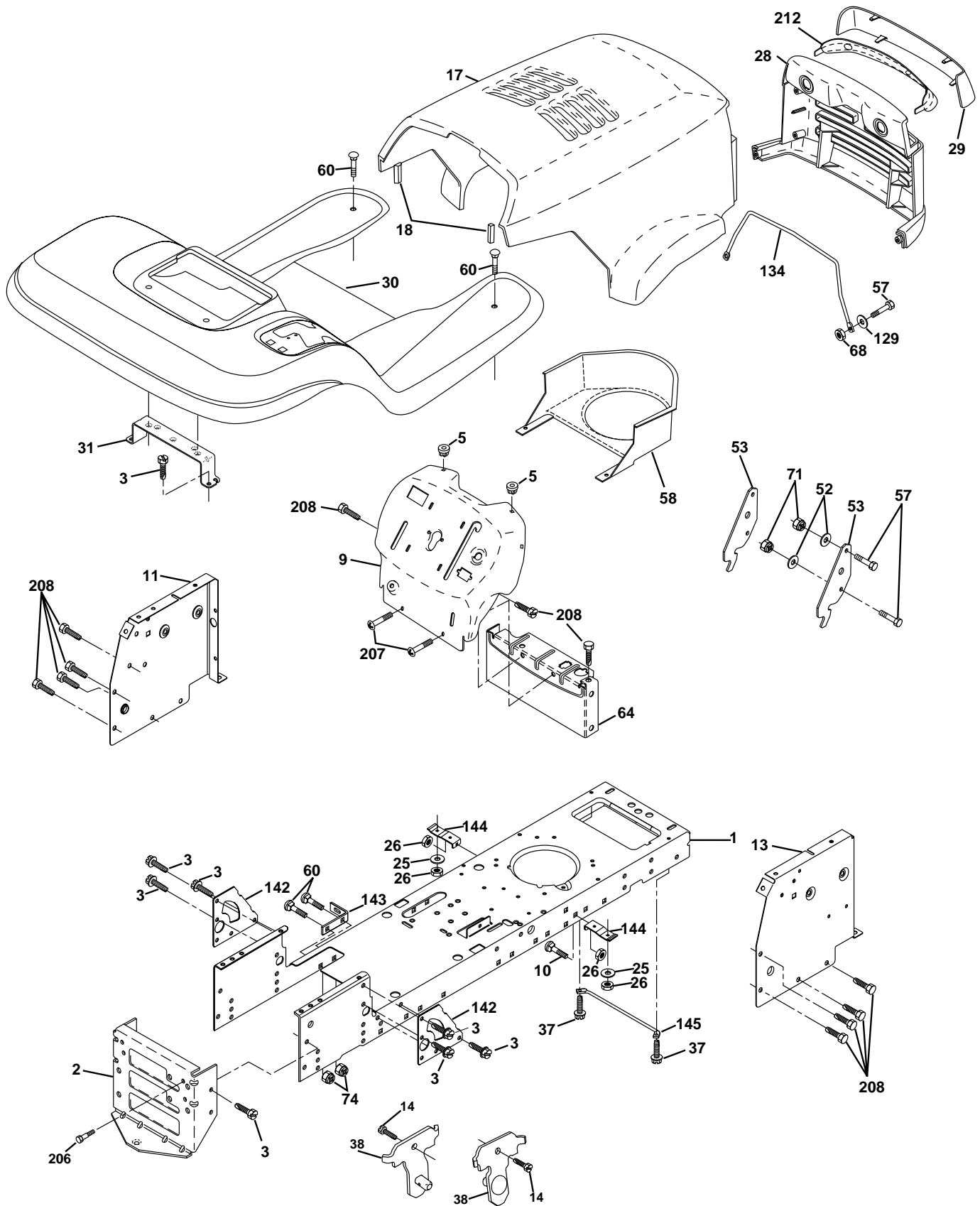
TRACTOR - MODEL NO. LTH130 (HELTH130B), PRODUCT NO. 954 17 00-36
ELECTRICAL

| KEY NO. | PART NO. | DESCRIPTION |
|---------|-----------|--------------------------------------|
| 1 | 532144925 | Battery 12 Volt 25 AMP |
| 2 | 874760412 | Bolt Hex Hd 1/4-20unc X 3/4 |
| 8 | 532156417 | Case Battery Mech Hinge |
| 16 | 532153664 | Switch Interlock Push-In |
| 21 | 532166181 | Harness Asm Light W/4152j |
| 22 | 532004152 | Bulb Light #1156 |
| 24 | 532124780 | Cable Battery 6 Ga 11" red |
| 25 | 532146147 | Cable Battery 6 Ga 44" red w/16 wire |
| 26 | 532175158 | Fuse 20 AMP |
| 27 | 873510400 | Nut Keps Hex 1/4-20 UNC |
| 28 | 532124773 | Cable Ground 6 Ga 12" black |
| 29 | 532121305 | Switch Plunger Nc Gray |
| 30 | 532175566 | Switch Ign |
| 33 | 532140401 | Key Ign Molded Generic |
| 40 | 532170217 | Harness Ign. |
| 41 | 871110408 | Bolt Blk Fin Hex 1/4 - 20 x 1/2 |
| 42 | 532131563 | Cover Terminal Red |
| 43 | 532175141 | Solenoid |
| 48 | 532140844 | Adapter Ammeter Rectangular |
| 52 | 532141940 | Protection Wire Loop |

NOTE: All component dimensions given in U.S. inches.
1 inch = 25.4 mm.

REPAIR PARTS

TRACTOR - MODEL NO. LTH130 (HELTH130B), PRODUCT NO. 954 17 00-36
CHASSIS AND ENCLOSURES



REPAIR PARTS

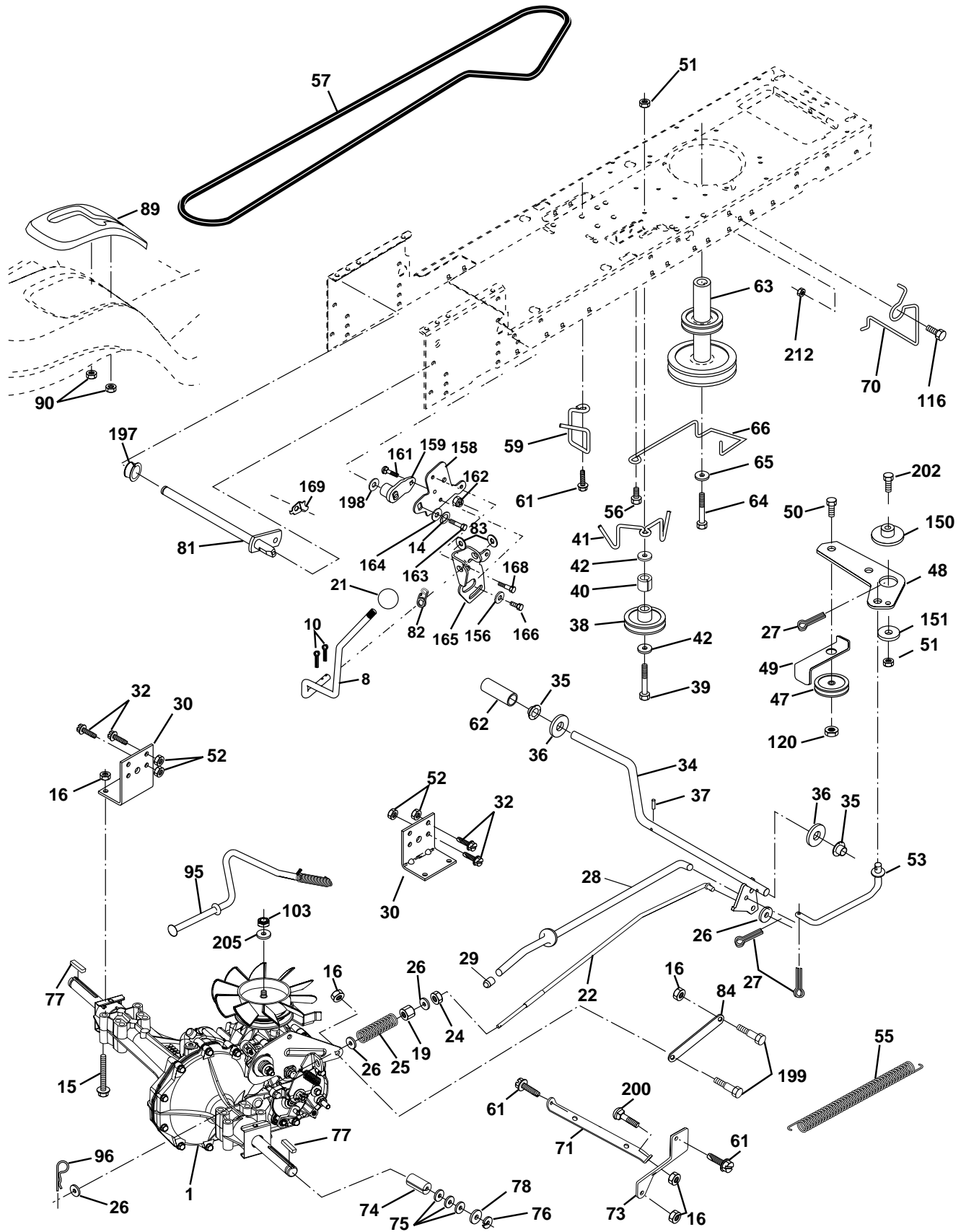
TRACTOR - MODEL NO. LTH130 (HELTH130B), PRODUCT NO. 954 17 00-36 CHASSIS AND ENCLOSURES

| KEY NO. | PART NO. | DESCRIPTION |
|---------|------------------|---------------------------------------|
| 1 | 532174619 | Chassis Stamping |
| 2 | 532176554 | Drawbar |
| 3 | 817060612 | Screw 3/8-16x3/4 |
| 5 | 532155272 | Bumper Hood/Dash |
| 9 | 532171853 | Dash P/L M |
| 10 | 872140608 | Bolt Carriage 3/8-16 x 1 |
| 11 | 532155927 | Panel Dash Lh |
| 13 | 532173025 | Panel Dash Rh |
| 14 | 817490608 | Screw Thdrol 3/8-16 x 1/2 |
| 17 | 532165378 | Hood LT/PL Husqvarna |
| 18 | 532126938 | Bumper Hood |
| 25 | 819131312 | Washer 13/32 X 13/16 X 12 Ga |
| 26 | 873800600 | Nut Lock Hex W/Ins 3/8-16 Unc |
| 28 | 532165379 | Grille LT/PL Husqvarna |
| 29 | 532165380 | Lens LT/PL Husqvarna |
| 30 | 532171854 | Fender Footrest STLT Pnt |
| 31 | 532139976 | Bracket Support Fender |
| 37 | 817490508 | Screw Thdrol 5/16-18 x 1/2 TYT |
| 38 | 532175710 | Bracket Asm Pivot Mower Rear |
| 52 | 819091416 | Washer 9/32 x 7/8 x 16 Ga. |
| 53 | 532150067 | Bracket Pnt. Pick off LT/PL Husqvarna |
| 57 | 874780412 | Bolt Hex 1/4-20 x 3/4 |
| 58 | 532150127 | Air Duct Engine P/L |
| 60 | 872140606 | Bolt Rdhd Sqnk 3/8-16unc x 3/4 |
| 64 | 532154798 | Dash Lower STLT |
| 68 | 873510400 | Nut Keps Hex 1/4-20 Unc |
| 71 | 873680400 | Nut Crownlock 1/4-20 Unc |
| 74 | 873680600 | Nut Crownlock 3/8-16 UNC |
| 129 | 819091016 | Washer 9/32 x 5/8 x 16 Ga. |
| 134 | 532160219 | Rod Support Hood LT/PL Husq. |
| 142 | 532165867 | Plate Reinforcement STLT |
| 143 | 532154966 | Bracket Swaybar Chassis |
| 144 | 532154207 | Bracket Pnt Footrest STLT |
| 145 | 532156524 | Rod Pivot Chassis/Hood |
| 206 | 532170165 | Bolt Shoulder 5/16-18 TT |
| 207 | 817670508 | Screw Thdrol 5/16-18 x 1/2 TYTT |
| 208 | 817670608 | Screw Thdrol 3/8-16 x 1/2 TYT BI |
| 212 | 532156195 | Insert Lens Reflect |
| -- | 532005479 | Plug Button |

NOTE: All component dimensions given in U.S. inches
1 inch = 25.4 mm

REPAIR PARTS

TRACTOR - MODEL NO. LTH130 (HELTH130B), PRODUCT NO. 954 17 00-36
DRIVE



REPAIR PARTS

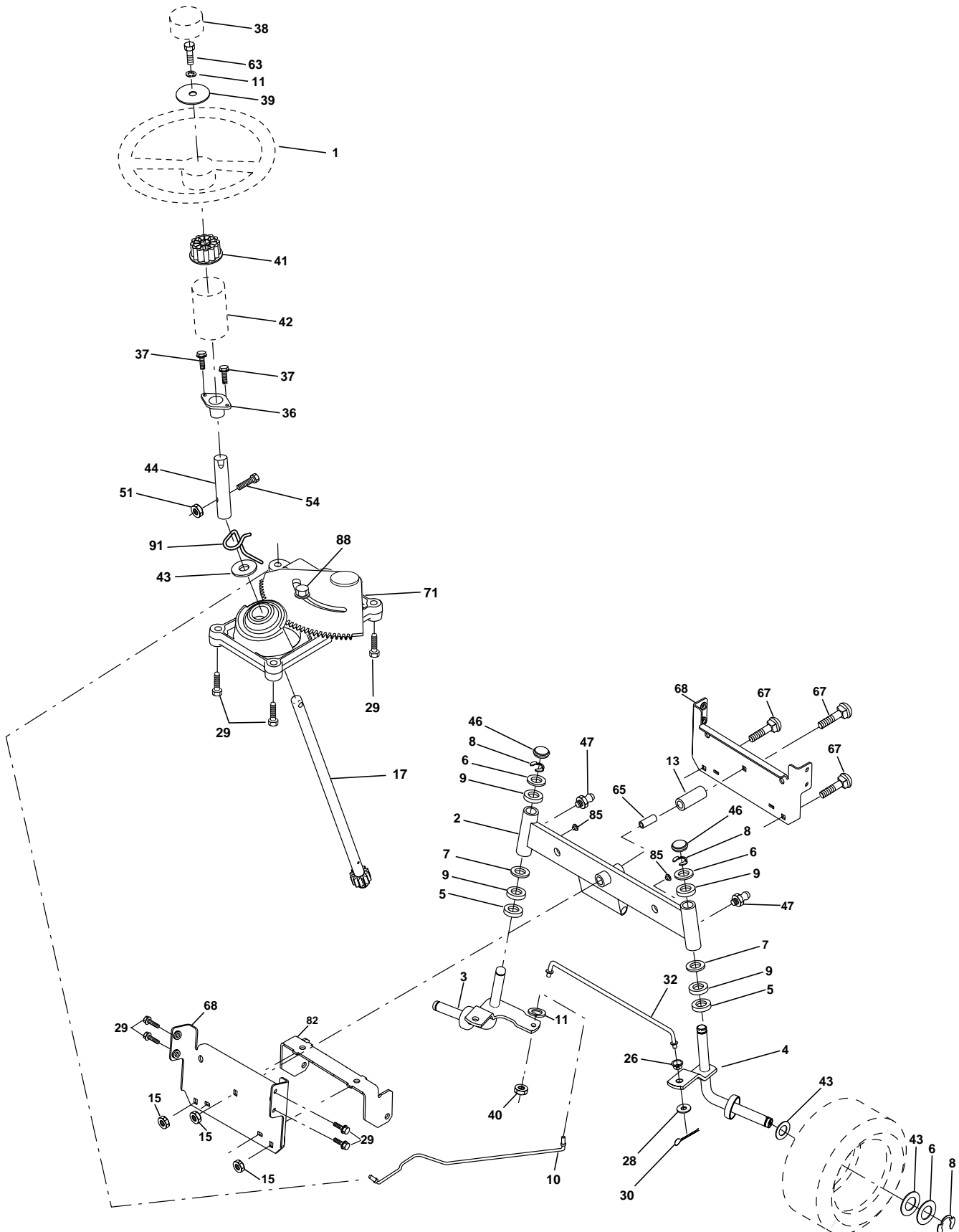
TRACTOR - MODEL NO. LTH130 (HEALTH130B), PRODUCT NO. 954 17 00-36
DRIVE

| KEY NO. | PART NO. | DESCRIPTION | KEY NO. | PART NO. | DESCRIPTION |
|---------|------------------|--|---------|------------------|--------------------------------------|
| 1 | ----- | Transaxle Hydro Gr 322-0510 (Order parts from transaxle manufacturer) | 66 | 532154778 | Keeper Belt Engine |
| 8 | 532165866 | Rod Shift Fender STLT | 70 | 532134683 | Guide Belt Mower Drive RH |
| 10 | 876020416 | Pin Cotter 1/8 x 1 CAD | 71 | 532169183 | Strap Torque Lh Hydro |
| 14 | 810040400 | Washer Lock Hvy Helical 1/4 | 73 | 532169182 | Strap Torque Rh Hydro |
| 15 | 874490544 | Bolt Hex Flg Hd 5/16-18 X Gr.5 | 74 | 532137057 | Spacer, Axle |
| 16 | 873800500 | Nut Lock Hex W/Ins. 5/16-18 Unc P | 75 | 532121749 | Washer 25/32 x 1-1/4 x 16 Gauge |
| 19 | 873800600 | Nut Lock Hex W/Wsh 3/8-16 Unc | 76 | 812000001 | E-Ring |
| 21 | 532121274 | Knob, Duckhead | 77 | 532123583 | Key, Square |
| 22 | 532169498 | Rod, Brake Hydro | 78 | 532121748 | Washer 25/32 x 1-5/8 x 16 Gauge |
| 24 | 873350600 | Nut | 81 | 532165596 | Shaft Asm. Cross Hydro |
| 25 | 532106888 | Spring, Brake Rod | 82 | 532165711 | Spring Torsion T/A |
| 26 | 819131316 | Washer | 83 | 819171216 | Washer 17/32 x 3/4 x 16 Ga. |
| 27 | 876020412 | Pin Cotter 1/8 x 3/4 CAD. | 84 | 532169843 | Link Transaxle |
| 28 | 532175765 | Rod, Parking Brake | 89 | 532166510 | Console, Shift |
| 29 | 532071673 | Cap, Parking Brake | 90 | 532124346 | Nut Self-Thd wsh-Hd 1/4 Zinc |
| 30 | 532174973 | Bracket, Transaxle | 95 | 532170201 | Control Asm Bypass Hydro |
| 32 | 874760512 | Bolt Hex Hd 5/16-18 Unc x 3/4 | 96 | 532124788 | Retainer Spring 1" Zinc/Cad |
| 34 | 532175578 | Shaft, Foot Pedal | 103 | 873940800 | Nut Hex Jam Toplock 1/2-20 |
| 35 | 532120183 | Bearing, Nylon | 116 | 872140608 | Bolt 3/8-16 x 1 |
| 36 | 819211616 | Washer | 120 | 873900600 | Nut Lock Flg 3/8-16 |
| 37 | 532124963 | Pin, Roll | 150 | 532175456 | Spacer Retainer |
| 38 | 532165936 | Pulley, Composite, Flat | 151 | 819133210 | Washer 13/32 x 2 x 10 Ga. |
| 39 | 874760648 | Bolt Fin Hex 3/8-16unc x 3 | 156 | 532166002 | Washer Srrtd 5/16 ID x 1.0 x .125 Tk |
| 40 | 532175461 | Spacer, Split | 158 | 532165589 | Bracket Shift Mount |
| 41 | 532175556 | Keeper, Belt Idler | 159 | 532165494 | Hub Tapered Flange Shift LT |
| 42 | 819131312 | Washer 13/32 x 13/16 x 12 Gauge | 161 | 872140406 | Bolt Rdhd Sqnk 1/4-20 x 3/4 Gr. 5 |
| 47 | 532127783 | Pulley, Idler, V-Groove | 162 | 873680400 | Nut Crownlock 1/4-20 Unc |
| 48 | 532154407 | Bellcrank Clutch Grnd Drv Stl | 163 | 874780416 | Bolt Hex Fin 1/4-20 unc x 1 Gr. 5 |
| 49 | 532123205 | Retainer, Belt | 164 | 819091010 | Washer 5/8 x .281 x 10 Ga |
| 50 | 874760624 | Bolt | 165 | 532165623 | Bracket Pivot Lever |
| 51 | 873680600 | Nut | 166 | 532166880 | Screw 5/16-18 x 5/8 TT Yellow |
| 52 | 873680500 | Nut Crownlock 5/16-18 | 168 | 532165492 | Bolt Shoulder 5/16-18 x .561 TT |
| 53 | 532105710 | Link, Clutch | 169 | 532165580 | Plate Fastening Cross Shf. STLT/CRD |
| 55 | 532105709 | Spring, Return, Clutch | 197 | 532169613 | Nyliner Snap-In 5/8" ID |
| 56 | 817060616 | Screw 3/8-16 x 1.0 | 198 | 532169593 | Washer Nyl 7/8 ID x .105 HYD CRD |
| 57 | 532140294 | V-Belt, Ground Drive | 199 | 532169612 | Bolt Shoulder 5/16-18 Unc |
| 59 | 532169691 | Keeper, Center Span | 200 | 872140508 | Bolt Rdhd Sqnk 5/16-18unc x 1 |
| 61 | 817060612 | Screw 3/8-16 x 3/4 | 202 | 872110614 | Bolt Carr Sh 3/8-16 x 1-3/4 Gr. 5 |
| 62 | 532124872 | Cover, Pedal | 205 | 819171616 | Washer 17/32 x 1 x 16 |
| 63 | 532175410 | Pulley, Clutch Eng | 212 | 532145212 | Nut Hex Flange Lock |
| 64 | 871170764 | Bolt Hex 7/16-20 x 4 Ga. 5 | | | |
| 65 | 810040700 | Washer | | | |

NOTE: All component dimensions given in U.S. inches
1 inch = 25.4 mm

REPAIR PARTS

TRACTOR - MODEL NO. LTH130 (HELTH130B), PRODUCT NO. 954 17 00-36
STEERING ASSEMBLY



REPAIR PARTS

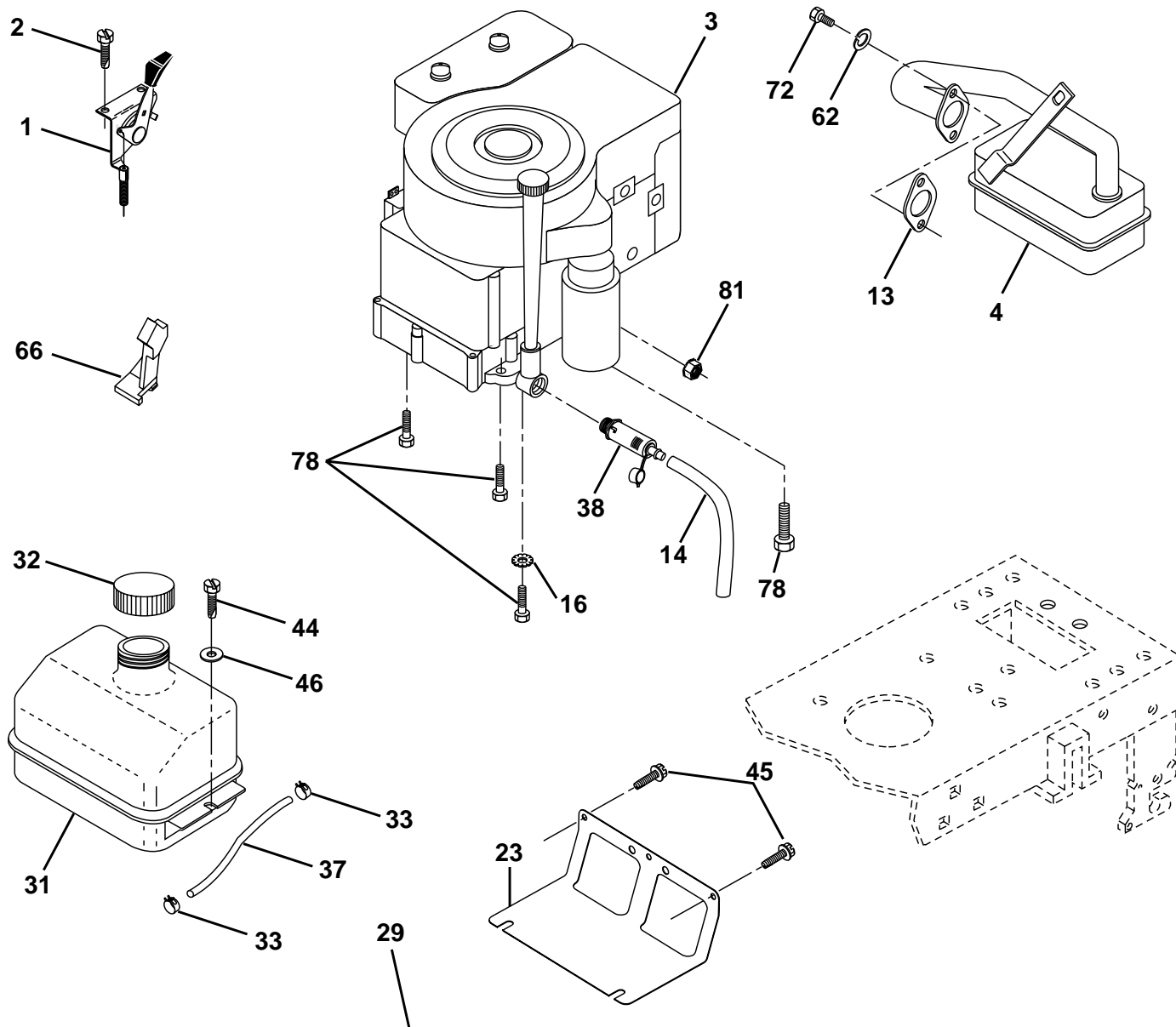
TRACTOR - MODEL NO. LTH130 (HELTH130B), PRODUCT NO. 954 17 00-36
STEERING ASSEMBLY

| KEY NO. | PART NO. | DESCRIPTION |
|---------|------------------|----------------------------------|
| 1 | 532166627 | Wheel Steering |
| 2 | 532154427 | Axle Asm STMP Dropped STL |
| 3 | 532169840 | Spindle Asm LH |
| 4 | 532169839 | Spindle Asm RH |
| 5 | 532124931 | Bearing Race Thrust Harden |
| 6 | 532121748 | Washer 25/32 X 1-5/8 X 16 Ga |
| 7 | 819272016 | Washer 27/32 X 1-1/4 X 16 Ga |
| 8 | 812000029 | Ring Klip #t5304-75 |
| 9 | 532124937 | Bearing Col Strg Blk |
| 10 | 532175121 | Link Drag |
| 11 | 810040600 | Washer Lock Hvy Hlcl Spr 3/8 |
| 13 | 532136518 | Spacer Brg Axle Front |
| 15 | 532145212 | Nut Hexflange Lock |
| 17 | 532177876 | Shaft Asm Strg |
| 26 | 532126847 | Bushing Link Drag Blk LR |
| 28 | 819131416 | Washer 13/32 X 7/8 X 16 Ga |
| 29 | 817060612 | Screw 3/8-16x3/4 |
| 30 | 876020412 | Pin Cotter 1/8 X 3/4 Cad |
| 32 | 532130465 | Rod Tie Wire Form 19 75 Mech |
| 36 | 532155099 | Bushing Strg |
| 37 | 532152927 | Screw |
| 38 | 532166626 | Insert Cap Strg Wh |
| 39 | 819132411 | Washer 13/32 X 1-1/20 x 11 Ga |
| 40 | 532124701 | Lock nut |
| 41 | 532159945 | Adaptor Wheel Strg |
| 42 | 532169634 | Boot Steering Shaft |
| 43 | 532121749 | Washer 25/32 X 1 1/4 X 16 Ga |
| 44 | 532153720 | Extension Steering Shaft LR/LT |
| 46 | 532121232 | Cap Spindle Fr Top Blk |
| 47 | 532124836 | Fitting Grease |
| 51 | 873800500 | Nut Lock Hex w/Ins 5/16-18 |
| 54 | 874780520 | Bolt Fin Hex 5/16-18 Unc x 1-1/4 |
| 63 | 874780616 | Bolt Fin Hex 3/8-16unc x 1 Gr. 5 |
| 65 | 532160367 | Spacer Brace Axle |
| 67 | 872140618 | Bolt Rdhd Sqnk 3/8-16 x 2-1/4 |
| 68 | 532169827 | Axle, Brace |
| 71 | 532175146 | Steering Asm |
| 82 | 532169835 | Bracket Susp Chassis Front |
| 85 | 532133835 | Fastner Christmas Tree |
| 88 | 532175118 | Bolt Shoulder 7/16-20 |
| 91 | 532175553 | Clip Steering |

NOTE: All component dimensions given in U.S. inches.
1 inch = 25.4 mm.

REPAIR PARTS

TRACTOR - MODEL NO. LTH130 (HELTH130B), PRODUCT NO. 954 17 00-36
ENGINE



OPTIONAL EQUIPMENT
Spark Arrester

REPAIR PARTS

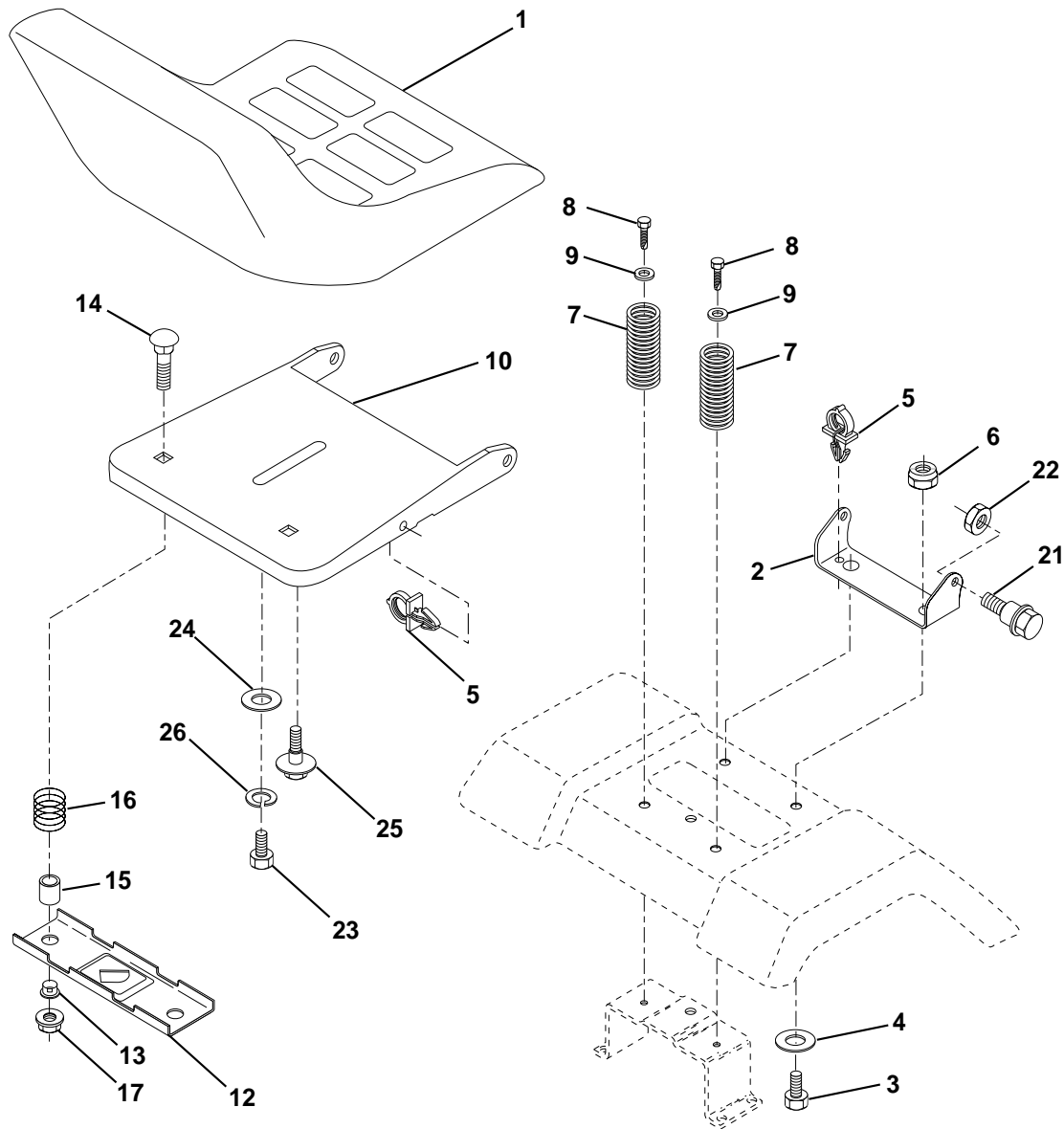
TRACTOR - MODEL NO. LTH130 (HELTH130B), PRODUCT NO. 954 17 00-36
ENGINE

| KEY NO. | PART NO. | DESCRIPTION |
|---------|-----------|---|
| 1 | 532170865 | Control Th/ch Flag |
| 2 | 817720410 | Screw Hex Thd Cut 1/4-20x5/8 T |
| 3 | ----- | Engine B&S Model No. 28R707 (Order Parts From Engine Manufacturer) |
| 4 | 532137348 | Muffler LT B&S 12/12.5/13HP |
| 13 | 532165291 | Gasket Eng 1 313 Id Tin Plated |
| 14 | 532148456 | Tube Drain Oil Easy |
| 16 | 811050600 | Washer Lock Ext Tooth 3/8 |
| 23 | 532169837 | Shield Browning/Debris Guard |
| 29 | 532137180 | Kit Spark Arrestor (Flat Scrn) |
| 31 | 532109202 | Tank Fuel |
| 32 | 532140527 | Cap Asm Fuel W/sym Vented |
| 33 | 532123487 | Clamp Hose Black |
| 37 | 532137040 | Line Fuel 20" |
| 38 | 532148315 | Plug Drain Oil Easy |
| 40 | 532124028 | Bushing Snap Nyl Blk Fuel Line |
| 44 | 817670412 | Screw Hexwsh Thdrol 1/4-20x3/4 |
| 45 | 817000612 | Screw Hexwsh Thdr 3/8-16 x 3/4 |
| 46 | 819091416 | Washer 9/32 X 7/8 X 16 Ga |
| 62 | 810040500 | Washer Lock Hvy Hlcl Spr 5/16 |
| 66 | 532127951 | Stop Throttle 3000 RPM |
| 72 | 871070512 | Screw Hexhd Cap 5/16-18x 3/4 |
| 78 | 817060620 | Screw 3/8-16x1-1/4 Smgml Tap/R |
| 81 | 873510400 | Nut Keps Hex 1/4-20 |

NOTE: All component dimensions given in U.S. inches
1 inch = 25.4 mm

REPAIR PARTS

TRACTOR - MODEL NO. LTH130 (HELTH130B), PRODUCT NO. 954 17 00-36 SEAT ASSEMBLY



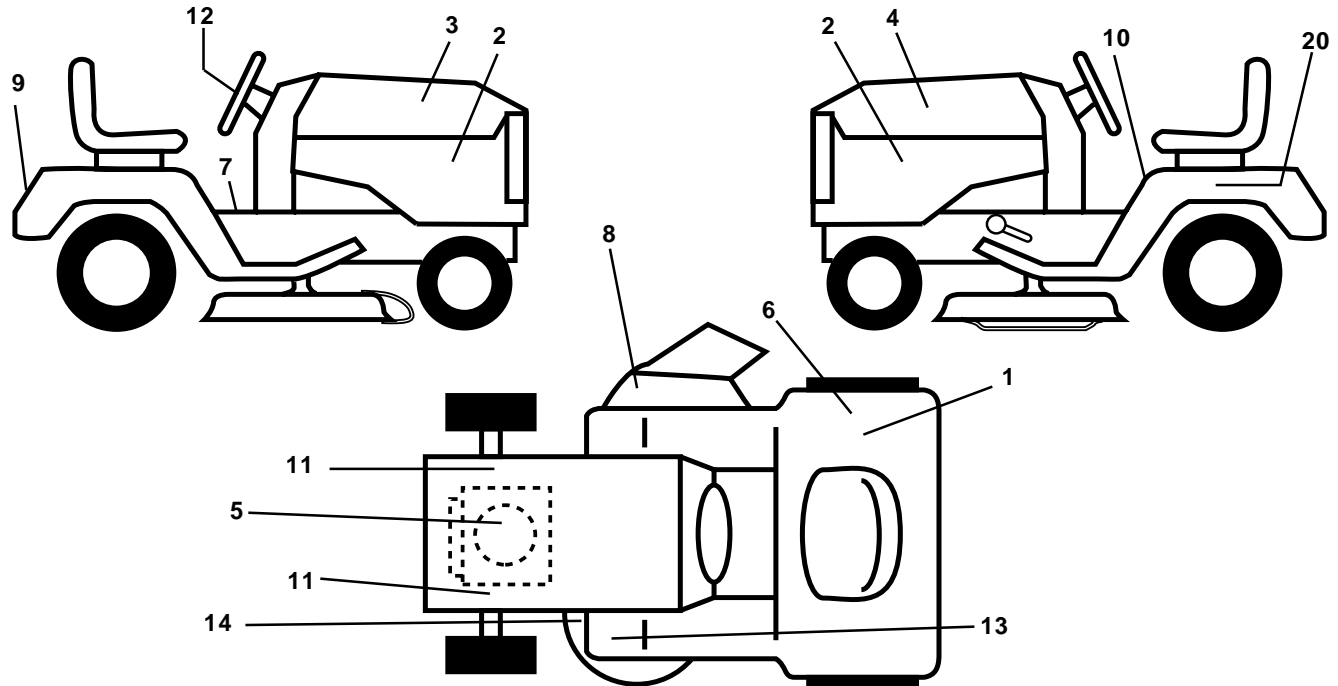
| KEY NO. | PART NO. | DESCRIPTION |
|---------|-----------|------------------------------------|
| 1 | 532140839 | Seat |
| 2 | 532140551 | Bracket Pivot Seat 8 720 |
| 3 | 871110616 | Bolt Fin Hex 3/8-16unc X 1 |
| 4 | 819131610 | Washer 13/32 X 1 X 10 Ga |
| 5 | 532145006 | Clip Push-In |
| 6 | 873800600 | Nut Hex w/Ins. 3/8-16 Unc |
| 7 | 532124181 | Spring Seat Cprsn 2 250 Blk Zi |
| 8 | 817000616 | Screw 3/8-16 X 1-1/2 Smgml Tap/R Z |
| 9 | 819131614 | Washer 13/32 X 1 X 14 Ga. |
| 10 | 532174894 | Pan Seat |
| 12 | 532121246 | Bracket Mounting Switch |
| 13 | 532121248 | Bushing Snap Blk Nyl 50 Id |

| KEY NO. | PART NO. | DESCRIPTION |
|---------|-----------|-------------------------------------|
| 14 | 872050412 | Bolt Rdhd Sqnk 1/4-20x1-1/2 |
| 15 | 532134300 | Spacer Split 28x 96 Yel Zinc |
| 16 | 532121250 | Spring Cprsn 1 27 Blk Pnt |
| 17 | 532123976 | Nut Lock 1/4 Lge Flg Gr 5 Zinc |
| 21 | 532171852 | Bolt Shoulder 5/16-18 Unc-2a Blk DA |
| 22 | 873800500 | Nut Hex Lock W/Ins 5/16-18 |
| 23 | 871110814 | Bolt Hex |
| 24 | 819171612 | Washer 17/32 X 1 X 12 Ga. |
| 25 | 532127018 | Bolt Shoulder 5/16-18 X 62 |
| 26 | 810040800 | Washer Lock HVY HLCL Spr 1/2 |

NOTE: All component dimensions given in U.S. inches.
1 inch = 25.4 mm

REPAIR PARTS

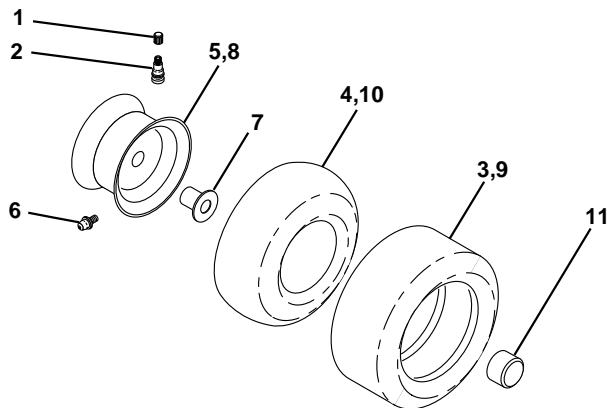
TRACTOR - MODEL NO. LTH130 (HELTH130B), PRODUCT NO. 954 17 00-36
DECALS



| KEY NO. | PART NO. | DESCRIPTION |
|---------|-----------|---------------------------------|
| 1 | 532126187 | Decal 100 DBA |
| 2 | 532159713 | Decal Panel Side B&S Logo |
| 3 | 532150725 | Decal Hood RH |
| 4 | 532150726 | Decal Hood LH |
| 5 | 532170848 | Decal HP Engine |
| 6 | 532145437 | Decal Euro Stand CE |
| 7 | 532140837 | Decal Saddle Brake |
| 8 | 532145494 | Decal Mower Cutfinger Symbol |
| 9 | 532150617 | Decal Fender Husq |
| 10 | 532145498 | Decal Read Owner's Manual Syms. |
| 11 | 532159736 | Decal Chassis Hot Muffler |
| 12 | 532170564 | Decal Wheel Steering |

| KEY NO. | PART NO. | DESCRIPTION |
|---------|-----------|--------------------------------|
| 13 | 532159737 | Decal Brake/Clutch Symbol LT |
| 14 | 532136832 | Decal V-Belt Schematic |
| 20 | 532145005 | Decal Bat Dan/Psn |
| -- | 532162598 | Decal Drawbar Load Limit |
| -- | 532169210 | Decal By-Pass Lt Hydro |
| -- | 532171284 | Pad Footrest LH STLT |
| -- | 532171285 | Pad Footrest RH STLT |
| -- | 532138311 | Decal Handle Lft Height Adjust |
| -- | 532176335 | Manual Operator's (Euro.) |
| -- | 532176336 | Manual Operator's (Scan.) |

WHEELS & TIRES

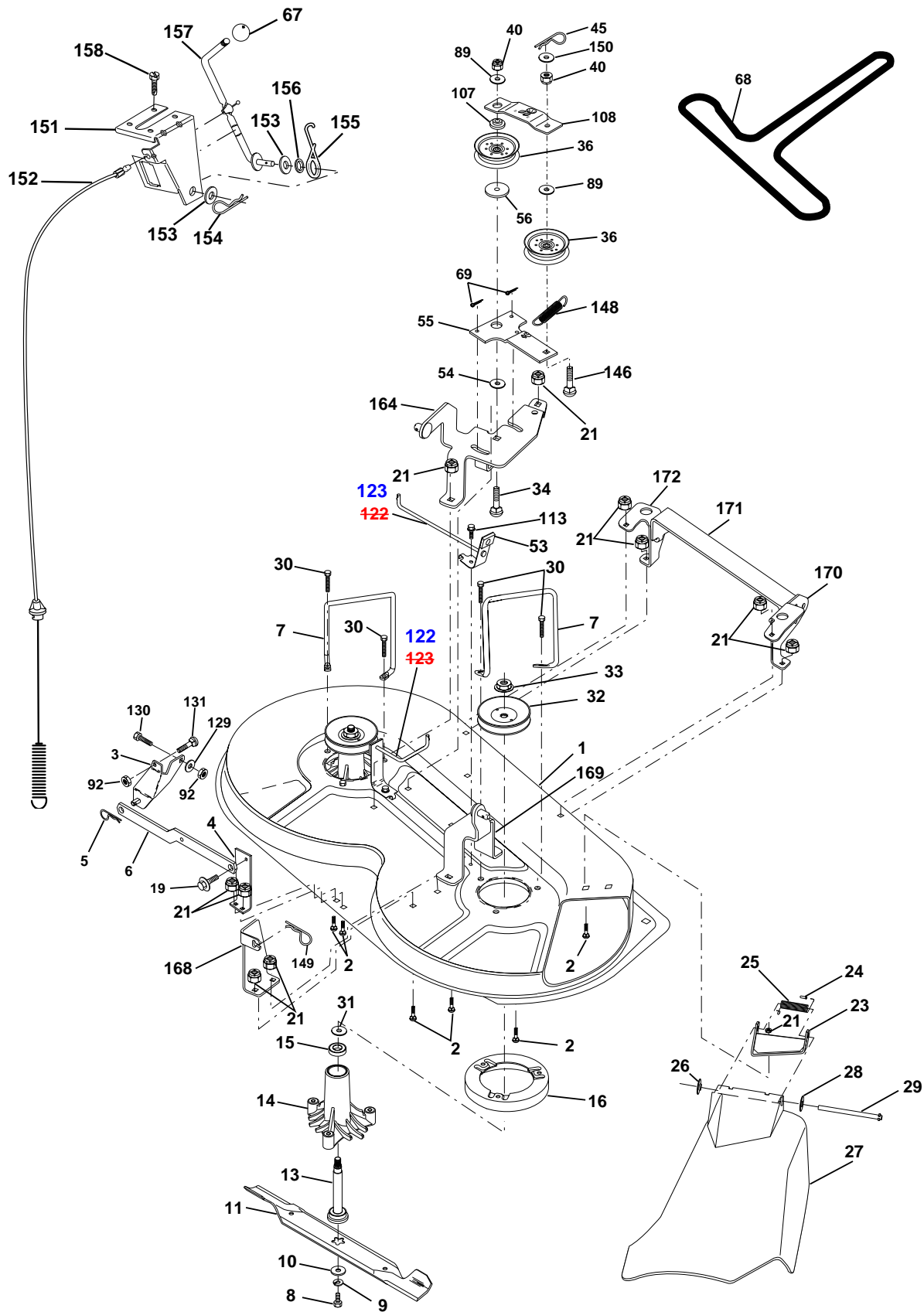


| KEY NO. | PART NO. | DESCRIPTION |
|---------|-----------|-----------------------------------|
| 1 | 532059192 | Cap Valve Tire |
| 2 | 532065139 | Stem Valve |
| 3 | 532106222 | Tire F Ts 15 X 6 0 - 6 Service |
| 4 | 532059904 | Tube Front (Service Item Only) |
| 5 | 532138336 | Rim Asm 6"front Silver Service |
| 6 | 532124957 | Fitting Grease (Front Wheel Only) |
| 7 | 532124959 | Bearing Flange (Front Wheel Only) |
| 8 | 532138337 | Rim Asm 8"rear Silver Service |
| 9 | 532124635 | Tire R Ts 18x8.5-8 Service |
| 10 | 532124926 | Tube Rear (Service Item Only) |
| 11 | 532175039 | Cap Axle Blk 1 50 X 1 00 |
| -- | 532144334 | Sealant, Tire (10 oz. Tube) |

NOTE: All component dimensions given in U.S. inches
1 inch = 25.4 mm

REPAIR PARTS

TRACTOR - MODEL NO. LTH130 (HELTH130B), PRODUCT NO. 954 17 00-36
MOWER DECK



REPAIR PARTS

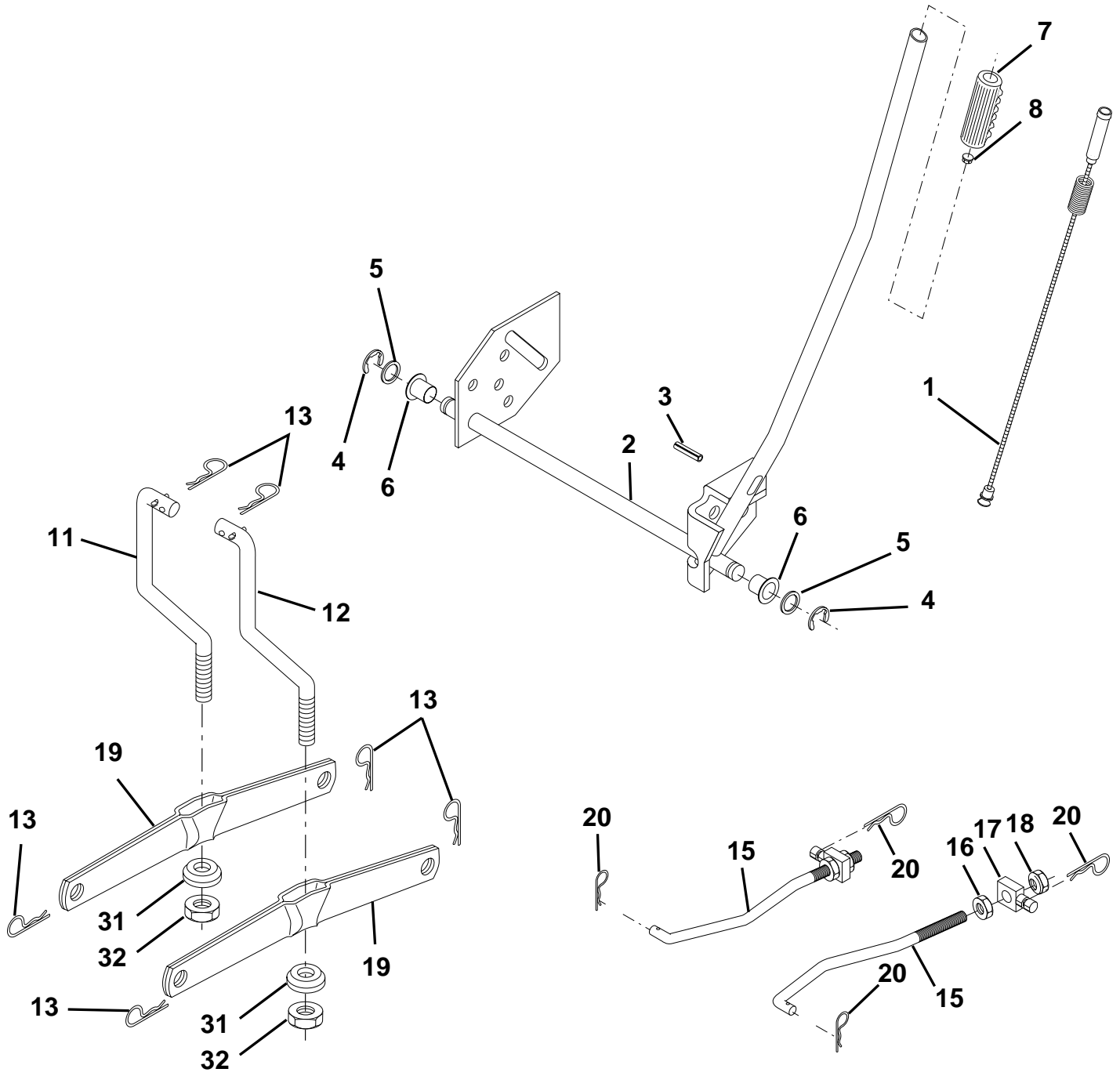
TRACTOR - MODEL NO. LTH130 (HELTH130B), PRODUCT NO. 954 17 00-36
MOWER DECK

| KEY NO. | PART NO. | DESCRIPTION | KEY NO. | PART NO. | DESCRIPTION |
|---------|------------------|---------------------------------|---------|-----------|---|
| 1 | 532174595 | Mower Deck Assembly | 67 | 532106932 | Knob RD 3/8-16 Plstc Thd |
| 2 | 872140506 | Bolt | 68 | 532174978 | Belt |
| 3 | 532138017 | Bracket Assembly, Sway Bar | 69 | 876020312 | Pin, Cotter 3/32 x 3/4 |
| 4 | 532175654 | Bracket Sway Bar | 89 | 819131612 | Washer 13/32 x 1 x 12 Ga |
| 5 | 532124670 | Retainer Spring | 92 | 873800600 | Nut Lock Hex W/Ins 3/8-16 |
| 6 | 532130832 | Arm, Suspension, Rear | 107 | 532133502 | Spacer, Retainer |
| 7 | 532140608 | Keeper Belt | 108 | 532133503 | Stiffener, Idler Arm |
| 8 | 532850857 | Bolt, Hex 3/8-24 x 1.25 Gr. 8 | 113 | 817490508 | Screw Thdrol 5/16-18 x 1/2 |
| 9 | 810030600 | Washer, Lock Hvy Hlcl 3/8 | 122 | 532174505 | Rod, Brake, LH |
| 10 | 532140296 | Washer, Hardened | 123 | 532174504 | Rod, Brake, RH |
| 11 | 532138496 | Blade, Mower | 129 | 819131312 | Washer 13/32 x 13/16 x 12 |
| 13 | 532137645 | Shaft Assembly, Mandrel, Vented | 130 | 874780616 | Bolt Fin Hex 3/8-16unc x 1 |
| 14 | 532128774 | Housing, Mandrel, Vented | 131 | 872140608 | Bolt RDHD SQNK 3/8-16unc x 1 |
| 15 | 532110485 | Bearing, Ball, Mandrel | 146 | 532165891 | Bolt Carriage Idler |
| 16 | 532174493 | Stripper, Mower Deck | 148 | 532169022 | Spring Return Idler |
| 19 | 532132827 | Bolt, Shoulder | 149 | 532165898 | Retainer Spring Yellow Zinc |
| 21 | 873680500 | Nut Crownlock 5/16-18 | 150 | 819091216 | Washer 9/32 x 3/4 x 16 Ga. |
| 23 | 532136631 | Bracket, Mower Deflector | 151 | 532169670 | Bracket Clutch |
| 24 | 532105304 | Cap, Sleeve | 152 | 532176079 | Cable Clutch |
| 25 | 532123713 | Spring, Torsion, Deflector | 153 | 532169674 | Washer Flat 3/8" Type B |
| 26 | 532110452 | Nut, Push | 154 | 532169675 | Spring Retainer |
| 27 | 532176162 | Shield, Deflector | 155 | 532169671 | Spring Retention Lever |
| 28 | 819111016 | Washer 11/32 x 5/8 x 16 Ga. | 156 | 532169672 | Spacer |
| 29 | 532121980 | Rod, Hinge | 157 | 532169669 | Rod Clutch |
| 30 | 532157722 | Screw Thdrol Washer Head | 158 | 817720410 | Screw Hex Thd Cut 1/4-20x5/8 |
| 31 | 532129963 | Washer, Spacer | 164 | 532174976 | Bracket Asm Idler Support |
| 32 | 532153531 | Pulley, Mandrel | 168 | 532172377 | Bracket Deck Cable |
| 33 | 532137266 | Nut, Toplock, Flanged | 169 | 532174977 | Bracket Suspension |
| 34 | 872110614 | Bolt Rdhd 3/8-16 x 1-3/4 | 170 | 532172359 | Bracket Suspension RF |
| 36 | 532131494 | Pulley, Idler, Flat | 171 | 532165237 | Brace Support Susp Frt |
| 40 | 873680600 | Nut Crownlock 3/8-16 | 172 | 532172355 | Bracket Suspension LF |
| 45 | 532124788 | Retainer, Spring | -- | 532130794 | Mandrel Assembly (Includes Key Numbers 13-15, 16-19, 31 and 33) |
| 53 | 532130840 | Brake Assembly | -- | 532175254 | Mower Deck, Complete |
| 54 | 532133943 | Washer, Hardened | | | |
| 55 | 532133840 | Idler Arm Assembly | | | |
| 56 | 532165723 | Spacer, Retainer | | | |

NOTE: All component dimensions given in U.S. inches
1 inch = 25.4 mm

REPAIR PARTS

TRACTOR - MODEL NO. LTH130 (HELTH130B), PRODUCT NO. 954 17 00-36
MOWER LIFT



REPAIR PARTS

TRACTOR - MODEL NO. LTH130 (HELTH130B), PRODUCT NO. 954 17 00-36
MOWER LIFT

| KEY NO. | PART NO. | DESCRIPTION |
|---------|-----------|----------------------------------|
| 1 | 532159460 | Wire Asm Inner Sprg w/Plunger LT |
| 2 | 532159471 | Shaft Asm Lift |
| 3 | 532105767 | Pin Groove |
| 4 | 812000002 | E Ring #5133-62 |
| 5 | 819211621 | Washer PLTD 21/32 X 1 X 21ga |
| 6 | 532120183 | Bearing Nylon Blk 629 Id |
| 7 | 532109413 | Grip Handle |
| 8 | 532124526 | Button Plunger Black |
| 11 | 532139865 | Link Lift LH |
| 12 | 532139866 | Link Lift RH |
| 13 | 532124670 | Retainer Spring |
| 15 | 532173288 | Link Front |
| 16 | 873350800 | Nut Jam Hex 1/2-13 Unc |
| 17 | 532130171 | Trunnion Blk Zinc |
| 18 | 873800800 | Nut Lock w/wsh 1/2-13 Unc |
| 19 | 532139868 | Arm Suspension Rear |
| 20 | 532163552 | Spring, Retainer |
| 31 | 532169865 | Bearing Pvt. Lift |
| 32 | 873540600 | Nut Crownlock 3/8-24 |

NOTE: All component dimensions given in U.S. inches
1 inch = 25.4 mm

REPAIR PARTS

TRACTOR - MODEL NO. LTH130 (HELTH130B), PRODUCT NO. 954 17 00-36 SCHEMATIC

