

YT150

Spare parts
Ersatzteile
Pièces détachées
Reserve onderdelen
Repuestos
Reservdelar

REPAIR PARTS

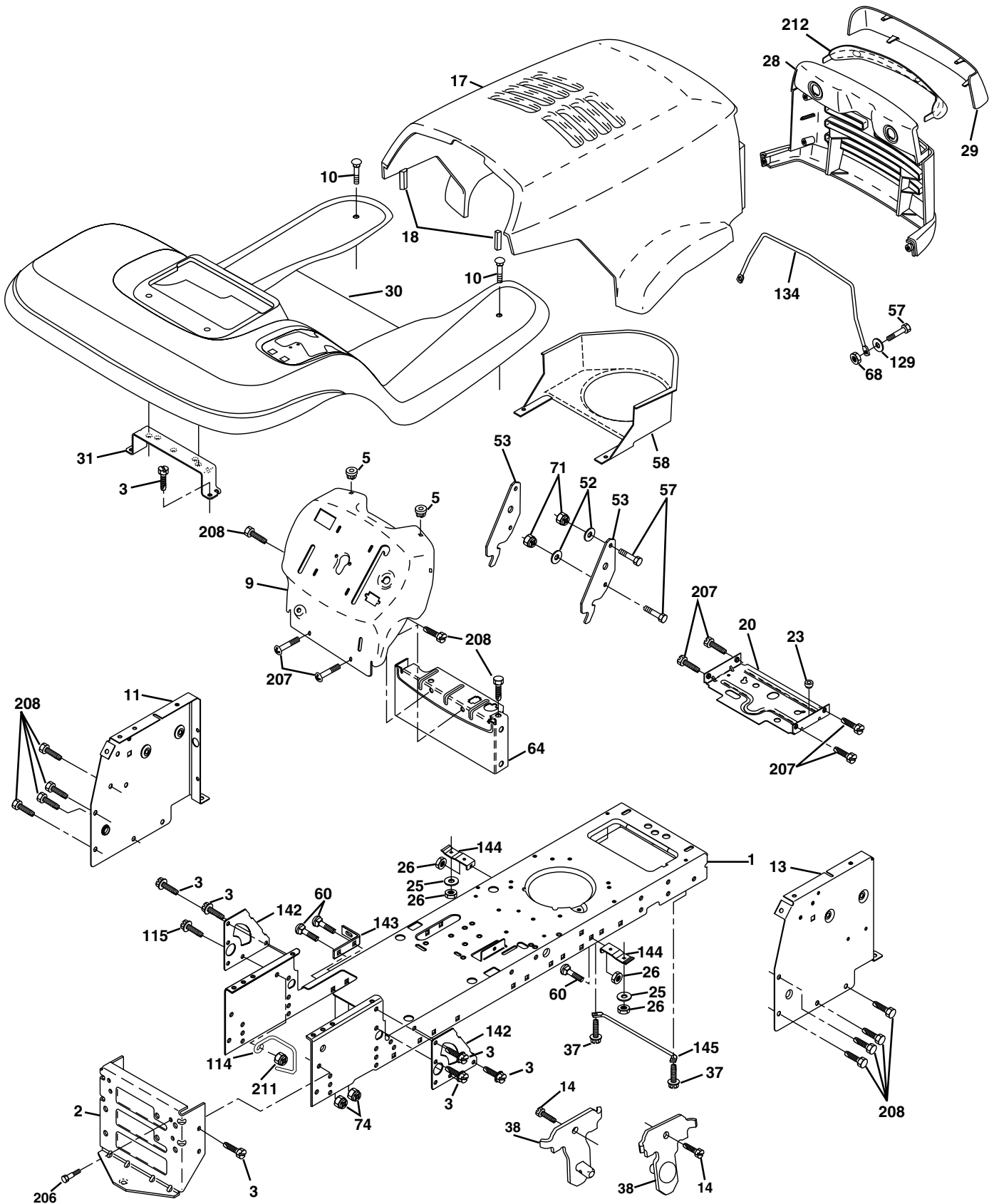
TRACTOR - - MODEL NO. YT150 (HEYT155J) PRODUCT NO. 954 17 00-37
ELECTRICAL

KEY NO.	PART NO.	DESCRIPTION
1	532 14 49-25	Battery
2	874 76 04-12	Bolt Hex Hd 1/4-20unc X 3/4
8	532 15 64-17	Case Battery w/2 Holes
16	532 15 36-64	Switch Interlock Push-In
21	532 16 61-81	Harness Asm Light W/4152j
22	532 00 41-52	Bulb Light #1156
24	532 12 47-80	Cable Battery 6 Ga 11" red
25	532 14 61-47	Cable Battery 6 Ga 44" red w/16 wire
26	532 17 51-58	Fuse 20 AMP
27	873 51 04-00	Nut Keps Hex 1/4-20 Unc
28	532 12 47-73	Cable Ground 6 Ga 12" black
29	532 12 13-05	Switch Plunger Nc Gray
30	532 17 55-66	Switch Ign
33	532 14 04-01	Key Ign Molded Generic
40	532 17 84-37	Harness Ign
41	871 11 04-08	Bolt Blk Fin Hex 1/4 - 20 x 1/2
42	532 13 15-63	Cover Terminal Red
43	532 17 88-61	Solenoid
48	532 14 08-44	Adapter Ammeter Rectangular
52	532 14 19-40	Protection Wire Loop

NOTE: All component dimensions given in U.S. inches.
1 inch = 25.4 mm.

REPAIR PARTS

TRACTOR - - MODEL NO. YT150 (HEYT155J) PRODUCT NO. 954 17 00-37
CHASSIS AND ENCLOSURES



REPAIR PARTS

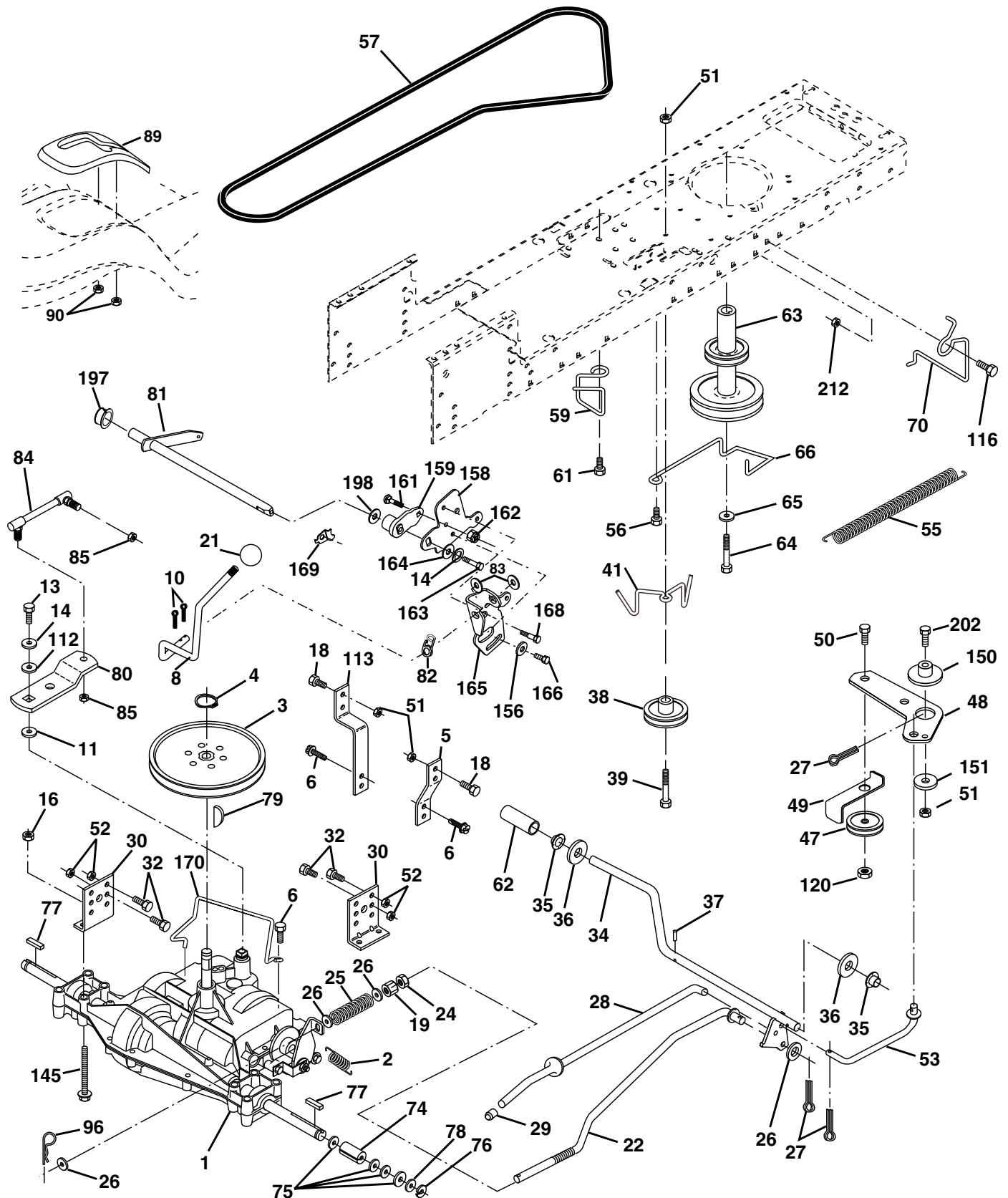
TRACTOR - - MODEL NO. YT150 (HEYT155J) PRODUCT NO. 954 17 00-37 CHASSIS AND ENCLOSURES

KEY NO.	PART NO.	DESCRIPTION
1	532 17 46-19	Chassis Stamping
2	532 17 65-54	Drawbar
3	817 06 06-12	Screw 3/8-16x3/4
5	532 15 52-72	Bumper Hood/Dash
9	532 17 18-53	Dash P/L
10	872 14 06-08	Bolt Carriage 3/8-16 x 1
11	532 15 59-27	Panel Dash Lh
13	532 17 21-08	Panel Dash Rh
14	817 49 06-08	Screw Thdrol 3/8-16 x 1/2
17	532 16 53-78	Hood LT/PL Husqvarna
18	532 12 69-38	Bumper Hood
20	532 15 64-37	Plate Mtg Battery Fuel Tank Fr
23	532 12 40-28	Bushing
25	819 13 13-12	Washer 13/32 X 13/16 X 12 Ga
26	873 80 06-00	Nut Lock Hex W/Ins 3/8-16 UNC
28	532 16 53-79	Grille LT/PL Husqvarna
29	532 16 53-80	Lens LT/PL Husqvarna
30	532 18 05-07	Fender Footrest STLT Pnt
31	532 13 99-76	Bracket Support Fender
37	817 49 05-08	Screw Thdrol 6/16-18 x 1/2 TYT
38	532 17 57-10	Bracket, Asm. Pivot, Mower Rear
52	819 09 14-16	Washer 9/32 x 7/8 x 16 Ga.
53	532 15 00-67	Bracket Pnt. Pick off LT/PL Husqvarna
57	874 78 04-12	Bolt Hex 1/4-20 x 3/4
58	532 15 01-27	Air Duct Engine P/L
60	872 14 06-06	Bolt Rdhd Sqnk 3/8-16UNC x 3/4
64	532 15 47-98	Dash Lower STLT
68	873 51 04-00	Nut Keps Hex 1/4-20 UNC
71	873 68 04-00	Nut Crownlock 1/4-20 UNC
74	873 68 06-00	Nut Crownlock 3/8-16 UNC
114	532 15 81-12	Keeper Belt Rear Lh STL
115	817 06 06-20	Screw 3/8-16 x 1-1/4
129	819 09 10-16	Washer 9/32 x 5/8 x 16 Ga.
134	532 16 02-19	Rod Support Hood LT/PL Husq.
142	532 17 57-02	Plate Reinforcement STLT
143	532 15 49-66	Bracket Swaybar Chassis
144	532 17 55-82	Bracket Pnt Footrest STLT
145	532 15 65-24	Rod Pivot Chassis/Hood
206	532 17 01-65	Bolt Shoulder 5/16-18 TT
207	817 67 05-08	Screw Thdrol 5/16-18 x 1/2
208	817 67 06-08	Screw Thdrol 3/8-16 x 1/2
211	532 14 52-12	Nut Hexflange Lock
212	532 15 61-95	Insert Lens Reflective
--	532 00 54-79	Plug Button

NOTE: All component dimensions given in U.S. inches.
1 inch = 25.4 mm

REPAIR PARTS

TRACTOR - - MODEL NO. YT150 (HEYT155J) PRODUCT NO. 954 17 00-37
DRIVE



REPAIR PARTS

TRACTOR - - MODEL NO. YT150 (HEYT155J) PRODUCT NO. 954 17 00-37 DRIVE

KEY NO.	PART NO.	DESCRIPTION	KEY NO.	PART NO.	DESCRIPTION
1	-----	Transaxle Peerless 206-545C (Order parts from transaxle manufacturer)	62	532 12 35-33	Cover Pedal
2	532 14 66-82	Spring Return Brake T/a Zinc	63	532 17 54-10	Engine Pulley
3	532 12 36-66	Pulley Transaxle 18" tires	64	871 17 07-64	Bolt Hex 7/16-20 x 4
4	812 00 00-28	Ring Retainer #5100-62	65	810 04 07-00	Washer Lock Hvy Hlcl Spr 7/16
5	532 12 15-20	Strap Torque 30 Degrees	66	532 15 47-78	Keeper Belt Engine F-Proof
6	817 06 05-12	Screw 5/16-18 X 3/4	70	532 13 46-83	Guide Belt Mower Drive RH
8	532 16 58-66	Rod Shifter	74	532 13 70-57	Spacer Axle
10	876 02 04-16	Pin Cotter 1/8 X 1 Cad	75	532 12 17-49	Washer 25/32 X 1 1/4 X 16 Ga
11	532 10 57-01	Washer Plate Shf 388 Sq Hole	76	812 00 00-01	E-ring #5133-75
13	874 55 04-12	Bolt 1/4-28 Unf Gr 8 W/Patch	77	532 12 35-83	Key Square 2 0 X 1845/ 1865
14	810 04 04-00	Washer Lock Hvy Helical 1/4	78	532 12 17-48	Washer 25/32 X 1-5/8 X 16 Ga
16	873 80 05-00	Nut Lock Hx w/Ins 5/16-18 UNC PL	79	532 12 50-96	Key Woodruff
18	874 78 06-16	Bolt Fin Hex 3/8-16 UNC x `1 Gr. 5	80	532 14 50-90	Arm Shift Transaxle
19	873 80 06-00	Nut Lock 3/8-16 Unc	81	532 16 55-92	Shaft Asm Cross
21	532 12 12-74	Knob Duckhead 1/2-13 Plstc Thd. Blk	82	532 16 57-11	Spring Torsion T/a
22	532 13 08-04	Rod Brake Blk Zinc 26 840	83	819 17 12-16	Washer 17/32 X 3/4 X 16 Ga
24	873 35 06-00	Nut Hex Jam 3/8-16 Unc	84	532 16 62-31	Link Transaxle
25	532 10 68-88	Spring Rod Brake 2 00 Zinc	85	532 15 03-60	Nut Nylock 1/4 - 28
26	819 13 13-16	Washer 13/32 X 13/16 X 16 Ga	89	532 16 65-61	Console Shift 6sp
27	876 02 04-12	Pin Cotter 1/8 X 3/4 Cad	90	532 12 43-46	Nut Self-thd Wsh-hd 1/4 Zinc
28	532 17 57-65	Rod Brake Parking LT/YT	96	532 12 47-88	Retainer Spring 1" Zinc/Cad
29	532 07 16-73	Cap Brake Parking	112	819 09 12-10	Washer 9/32 x 3/4 x 10 Ga.
30	532 16 95-92	Bracket Mtg Transaxle	113	532 12 72-85	Strap Torque Lt
32	874 76 05-12	Bolt Hex Hd 5/16-18unc X 3/4	116	872 14 06-08	Bolt Rd Sq Neck 3/8-16 x 1 x 1
34	532 17 55-78	Shaft Asm Pedal Foot	120	873 90 06-00	Nut Lock Flg 3/8-16
35	532 12 01-83	Bearing Nylon Blk 629 Id	145	874 49 05-40	Bolt Hex 5/16-18FLGHD
36	819 21 16-16	Washer 21/32 X 1 X 16 Ga	150	532 17 54-56	Spacer Retainer
37	532 12 49-63	Pin Roll 3/16 X 1"	151	819 13 32-10	Washer 13/32 x 2 x 10 Ga.
38	532 17 91-14	Pulley Idler Flat	156	532 16 60-02	Washer Srrtd 5/16 ID x 1 .125
39	874 76 06-48	Bolt Fin Hex 3/8-16 Unc x 3	158	532 16 55-89	Bracket Shift Mount
40	532 17 54-61	Spacer Split	159	532 16 54-94	Hub Tapered Flange Shift LT
41	532 17 55-56	Keeper Belt Idler	161	872 14 04-06	Bolt Rdhd Sqnc 1/4-20 x 3/4 Gr 5
47	532 12 77-83	Pulley Idler V Groove Plastic	162	873 68 04-00	Nut Crownlock 1/4-20 Unc
48	532 15 44-07	Bellcrank Clutch Grmd Drw STL	163	874 78 04-16	Bolt Hex Fin 1/4-20 Unc x 1 Gr. 5
49	532 12 32-05	Retainer Belt Style Spring	164	819 09 10-10	Washer 5/8 x .281 x 10 Ga.
50	874 76 06-24	Bolt Hex Hd 3/8-16unc X 1-1/2	165	532 16 56-23	Bracket Pivot Lever
51	873 68 06-00	Nut Crownlock 3/8-16 Unc	166	532 16 68-80	Screw 5/16-18 x 5/8
52	873 68 05-00	Nut Crownlock 5/16-18 Unc	168	532 16 54-92	Bolt Shoulder 5/16-18 x .561
53	532 10 57-10	Link Clutch 7 66	169	532 16 55-80	Plate Fastening LT
55	532 10 57-09	Spring Return Clutch 6 75	170	532 17 83-94	Keeper Belt Transaxle
56	817 06 06-20	Screw 3/8-16 x 1-1/4	197	532 16 96-13	Nyliner Snap-In 5/8" ID
57	532 13 08-01	V-Belt Ground Drive 95 25 42"	198	532 16 95-93	Washer Nyl 7/8 ID x .105" Hyd Crd
59	532 16 96-91	Keeper Belt Span Ctr	202	872 11 06-14	Bolt Carr Sh 3/8-16 x 1-3/4 Gr. 5
61	817 06 06-14	Screw 3/8-16 x .875	212	532 14 52-12	Nut Hex Flange Lock

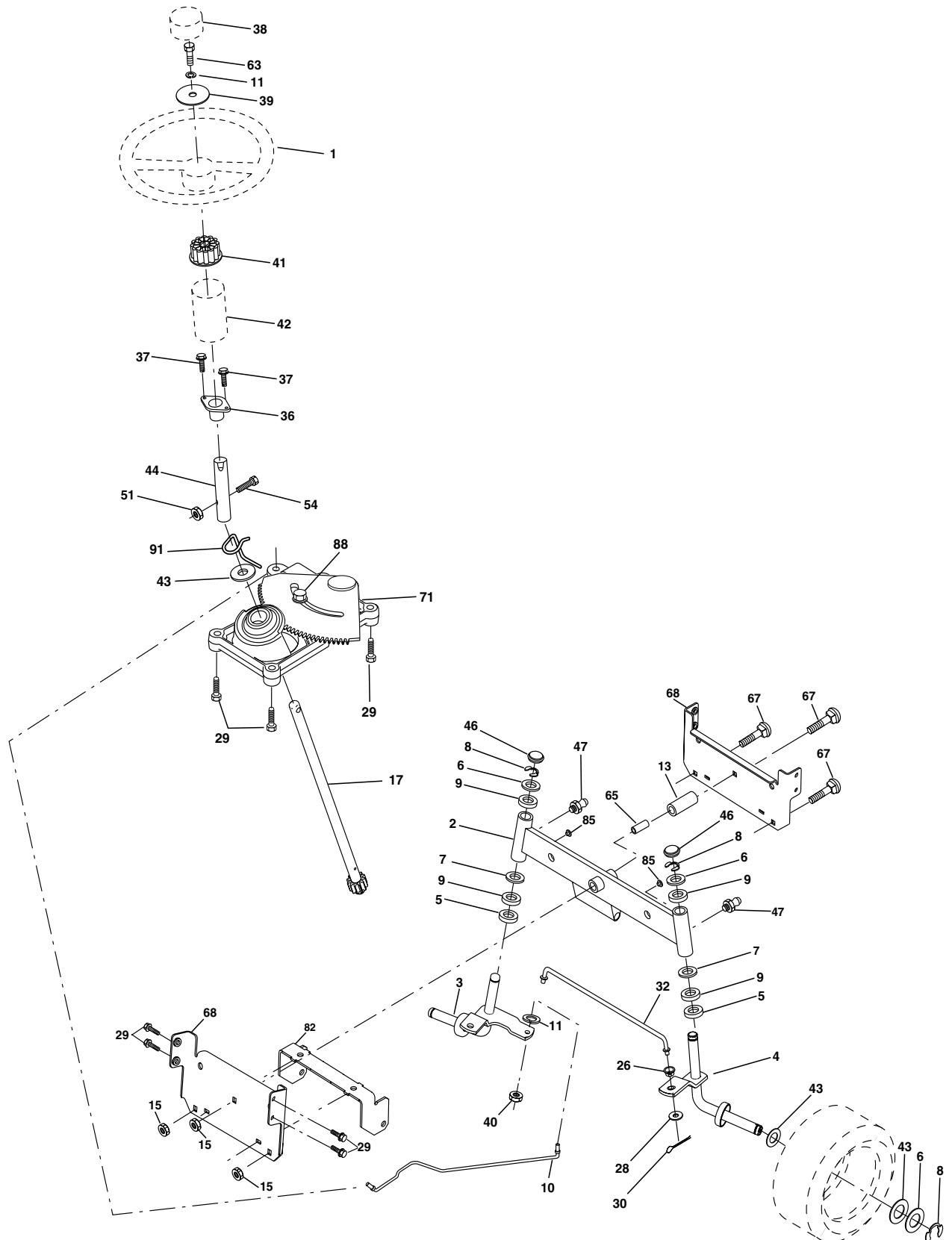
NOTE: All component dimensions given in U.S. inches
1 inch = 25.4 mm

Correction:

61 **817 12 06-14**

REPAIR PARTS

TRACTOR - - MODEL NO. YT150 (HEYT155J) PRODUCT NO. 954 17 00-37
STEERING ASSEMBLY



REPAIR PARTS

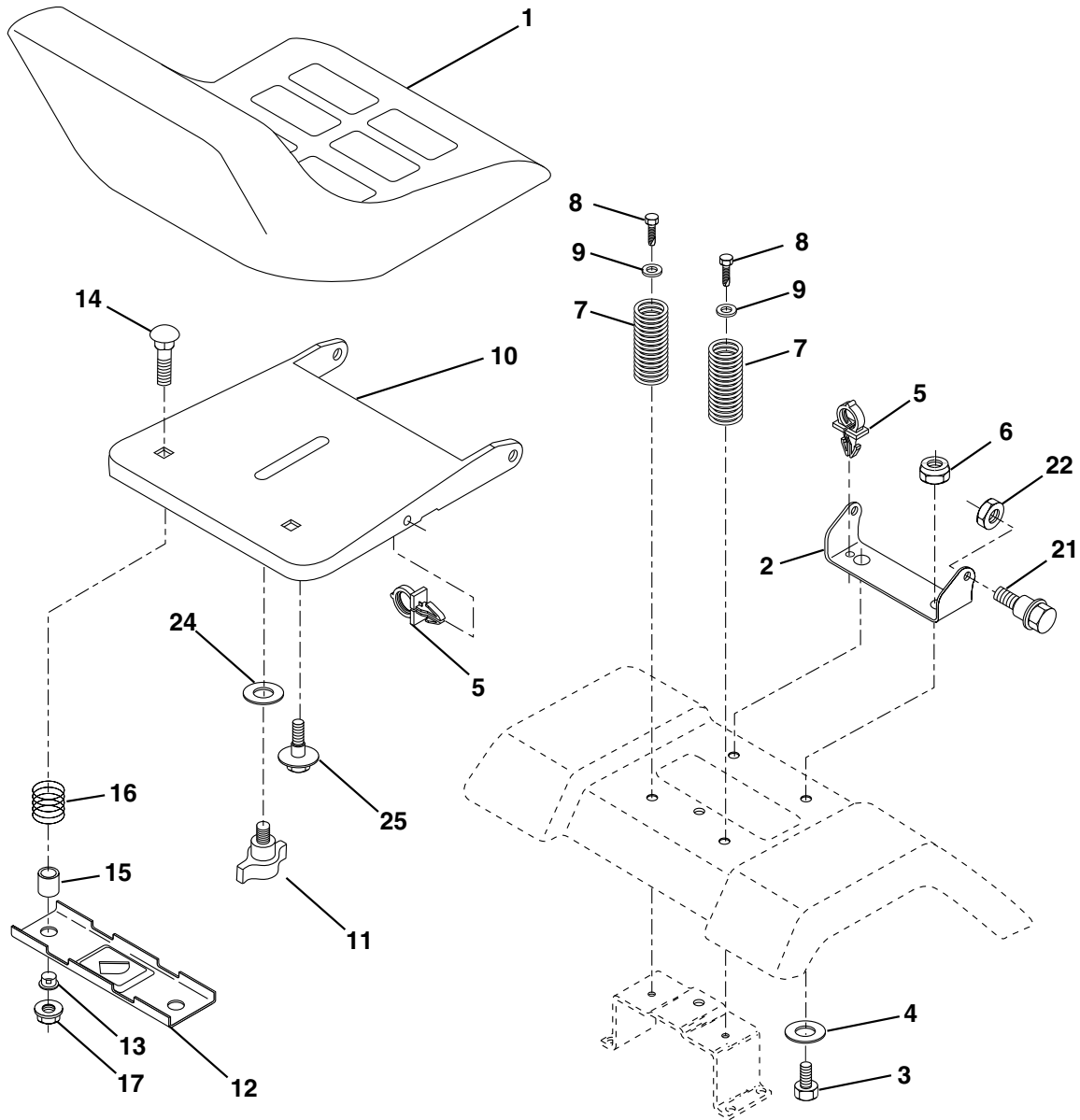
TRACTOR - - MODEL NO. YT150 (HEYT155J) PRODUCT NO. 954 17 00-37
STEERING ASSEMBLY

KEY NO.	PART NO.	DESCRIPTION
1	532 16 66-27	Wheel Steering
2	532 17 51-31	Axle Asm
3	532 16 98-40	Spindle Asm LH
4	532 16 98-39	Spindle Asm RH
5	532 12 49-31	Bearing Race Thrust Harden
6	532 12 17-48	Washer 25/32 X 1-5/8 X 16 Ga
7	819 27 20-16	Washer 27/32 X 1-1/4 X 16 Ga
8	812 00 00-29	Ring Klip #t5304-75
9	532 12 49-37	Bearing Col Strg Blk
10	532 17 51-21	Link Drag
11	810 04 06-00	Washer Lock Hvy Hlcl Spr 3/8
13	532 13 65-18	Spacer Brg Axle Front
15	532 14 52-12	Nut Hex Flange Lock
17	532 17 78-76	Shaft Asm Strg
26	532 12 68-47	Bushing Link Drag Blk LR
28	819 13 14-16	Washer 13/32 X 7/8 X 16 Ga
29	817 06 06-12	Screw 3/8-16x3/4
30	876 02 04-12	Pin Cotter 1/8 X 3/4 Cad
32	532 13 04-65	Rod Tie Wire Form 19 75 Mech
36	532 15 50-99	Bushing Strg
37	532 15 29-27	Screw
38	532 16 66-26	Insert Cap Strg
39	819 13 24-11	Washer 13/32 X 1-1/2 x 11
40	532 12 47-01	Lock nut
41	532 15 99-45	Adaptor Wheel Strg
42	532 16 96-34	Boot Steering Shaft
43	532 12 17-49	Washer 25/32 X 1 1/4 X 16 Ga
44	532 15 37-20	Extension Steering Shaft LR/LT
46	532 12 12-32	Cap Spindle Fr Top Blk
47	532 12 48-36	Fitting Grease
51	873 80 05-00	Nut Lock Hex w/Ins 5/16-18
54	874 78 05-20	Bolt Fin Hex 5/16-18 Unc x 1-1/4
63	874 78 06-16	Bolt Fin Hex 3/8-16unc x 1 Gr. 5
65	532 16 03-67	Spacer Brace Axle
67	872 14 06-18	Bolt Rdhd Sqnk 3/8-16 x 2-1/4
68	532 16 98-27	Axle, Brace
71	532 17 51-46	Steering Asm.
82	532 16 98-35	Bracket Susp Chassis Front
85	532 13 38-35	Fastener Christmas Tree
88	532 17 51-18	Bolt Shoulder 7/16-20 Unc
91	532 17 55-53	Clip Steering

NOTE: All component dimensions given in U.S. inches.
1 inch = 25.4 mm.

REPAIR PARTS

TRACTOR - - MODEL NO. YT150 (HEYT155J) PRODUCT NO. 954 17 00-37 SEAT ASSEMBLY



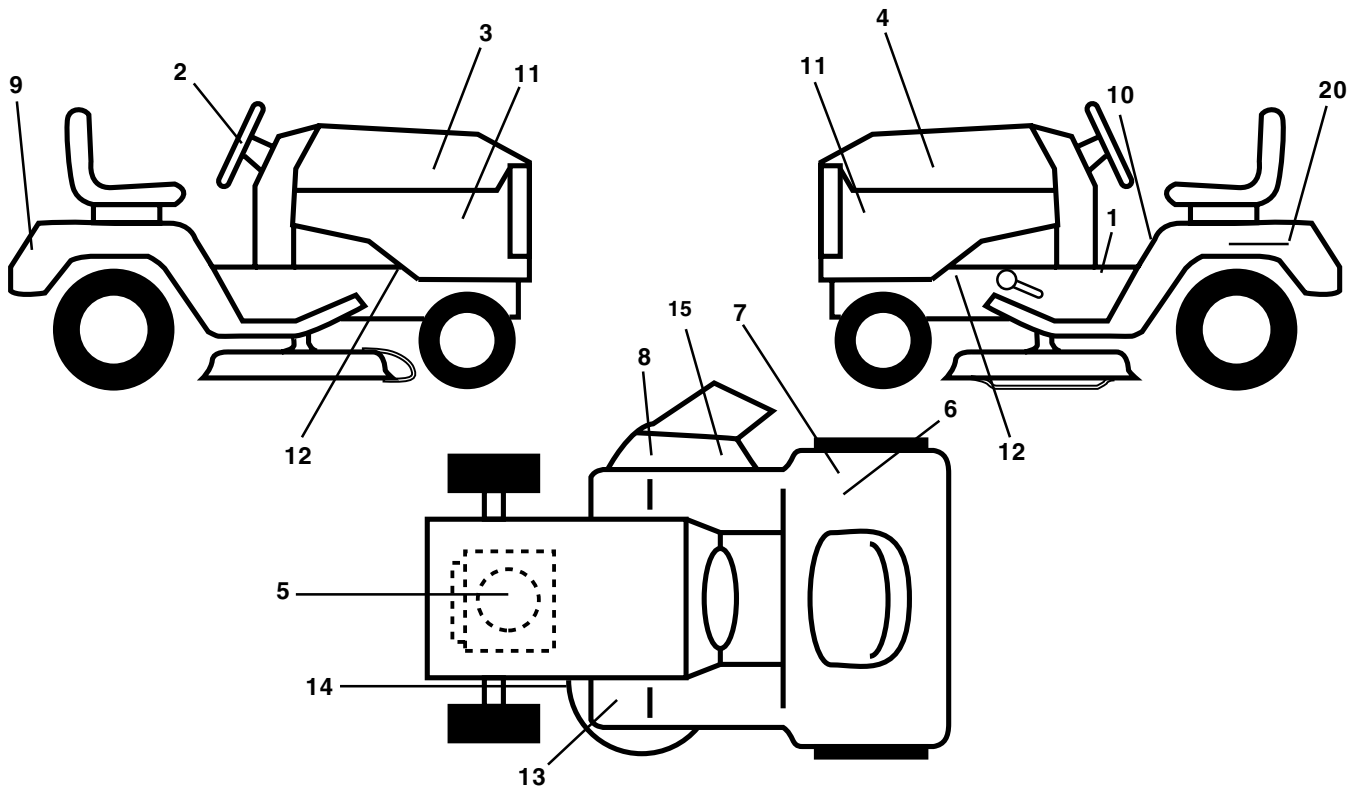
KEY NO.	PART NO.	DESCRIPTION
1	532 14 08-39	Seat
2	532 14 05-51	Bracket Pivot Seat 8 720
3	871 11 06-16	Bolt Fin Hex 3/8-16UNC x 1
4	819 13 16-10	Washer 13/32 x 1 x 10 Ga
5	532 14 50-06	Clip Push-In
6	873 80 06-00	Nut Lock 3/8-16 Unc
7	532 12 41-81	Spring Seat Cprsn 2 250 Blk Zi
8	817 00 06-16	Screw 3/8-16 x 1-1/2
9	819 13 16-14	Washer 13/32 x 1 x 14 Ga.
10	532 17 48-94	Pan Seat
11	532 16 63-69	Knob Seat

KEY NO.	PART NO.	DESCRIPTION
12	532 12 12-46	Bracket Mounting Switch
13	532 12 12-48	Bushing Snap Blk Nyl 50 Id
14	872 05 04-12	Bolt Rdhd Sht Nk 1/4-20 x1-1/2
15	532 13 43-00	Spacer Split 28 x 96 Yel Zinc
16	532 12 12-50	Spring Cprsn 1 27 Blk Pnt
17	532 12 39-76	Nut Lock 1/4 Lge Flg Gr 5 Zinc
21	532 17 18-52	Bolt Shoulder 5/16-18 UNC-2A
22	873 80 05-00	Nut Hex Lock W/Ins 5/16-18
24	819 17 19-12	Washer 17/32 x 1-3/16 x 12 Ga.
25	532 12 70-18	Bolt Shoulder 5/16-18 x 62

NOTE: All component dimensions given in U.S. inches.
1 inch = 25.4 mm

REPAIR PARTS

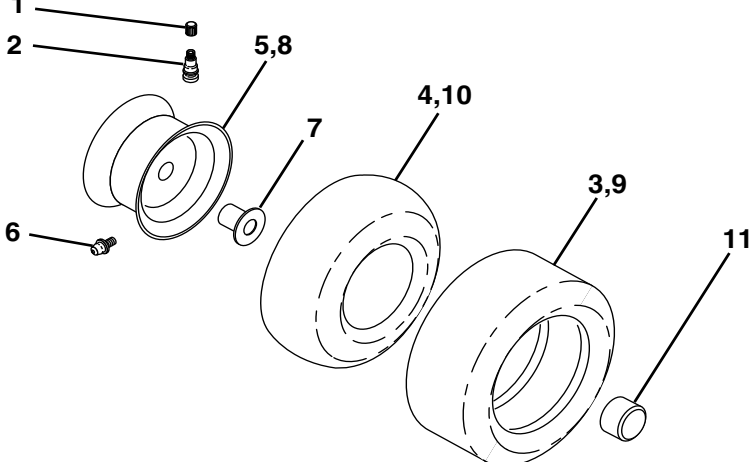
TRACTOR - - MODEL NO. YT150 (HEYT155J) PRODUCT NO. 954 17 00-37
DECALS



KEY NO.	PART NO.	DESCRIPTION
1	532 14 08-37	Decal Saddle Parking
2	532 17 05-64	Decal Wheel Steering
3	532 15 15-48	Decal Hood RH
4	532 15 15-49	Decal Hood LH
5	532 17 08-46	Decal HP Engine
6	532 12 61-87	Decal 100 DBA
7	532 14 54-37	Decal Europe Stand CE
8	532 14 54-94	Decal Mower Cut/Finger
9	532 15 06-17	Decal Fender Husq
10	532 14 54-98	Decal Read Owner's Man Syms
11	532 15 97 13	Decal Panel Side B & S Logo
12	532 15 97-36	Decal Chassis Hot Muffler

KEY NO.	PART NO.	DESCRIPTION
13	532 15 97-37	Decal Brake/Clutch Symbol LT
14	532 16 03-96	Decal V-Belt Schematic
15	532 17 91-28	Decal Deck "B" 42"
20	532 14 50-05	Decal Bat Dan/Psn
--	532 17 12-84	Pad Footrest LH STLT
--	532 17 12-85	Pad Footrest RH STLT
--	532 13 83-11	Decal Handle Lft Height Adjust
--	532 17 62-48	Manual Operator's (Euro)
--	532 17 62-49	Manual Operator's (Scand)
--	532 16 25-98	Decal Drawbar Load Limit
Available accessories not included with tractor:		
--	MK420	Mulch Kit w/Blades
--	CE42	Grass Catcher

WHEELS & TIRES

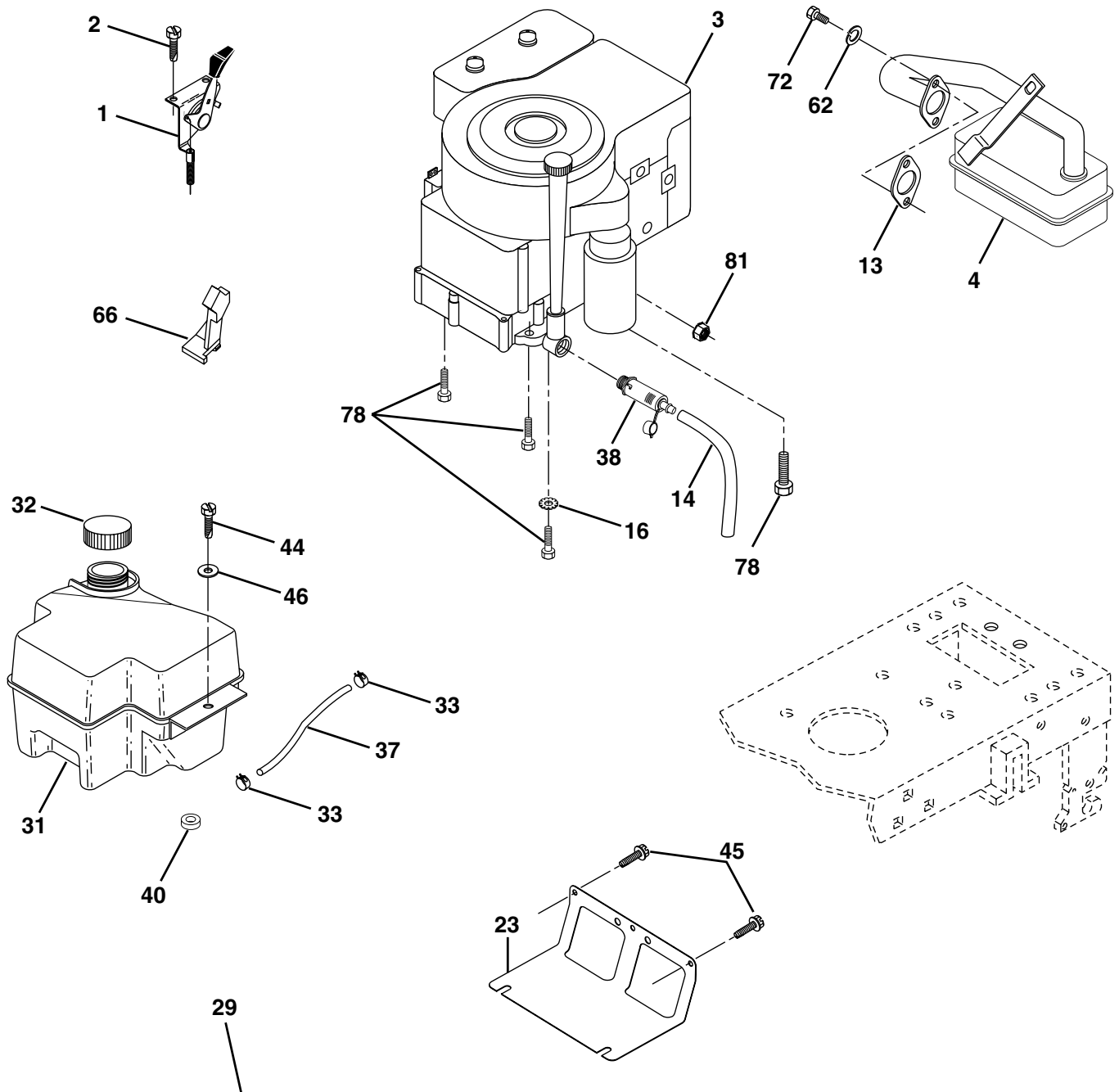


KEY NO.	PART NO.	DESCRIPTION
1	532 05 91-92	Cap Valve Tire
2	532 06 51-39	Stem Valve
3	532 10 62-22	Tire F Ts 15 X 60 - 6 Service
4	532 05 99-04	Tube Front (Service Item Only)
5	532 13 83-36	Rim Asm 6"front
6	532 12 49-57	Fitting Grease (Front Wheel Only)
7	532 12 49-59	Bearing Flange (Front Wheel Only)
8	532 13 83-37	Rim Asm 8"rear
9	532 12 20-82	Tire R Ts 20 x 10-8 C Service
10	532 12 49-26	Tube Rear (Service Item Only)
11	532 17 50-39	Cap Axle Blk 1 50 X 1 00
--	532 14 43-34	Sealant, Tire (10 oz. Tube)

NOTE: All component dimensions given in U.S. inches
1 inch = 25.4 mm

REPAIR PARTS

TRACTOR - - MODEL NO. YT150 (HEYT155J) PRODUCT NO. 954 17 00-37
ENGINE



OPTIONAL EQUIPMENT
Spark Arrester

REPAIR PARTS

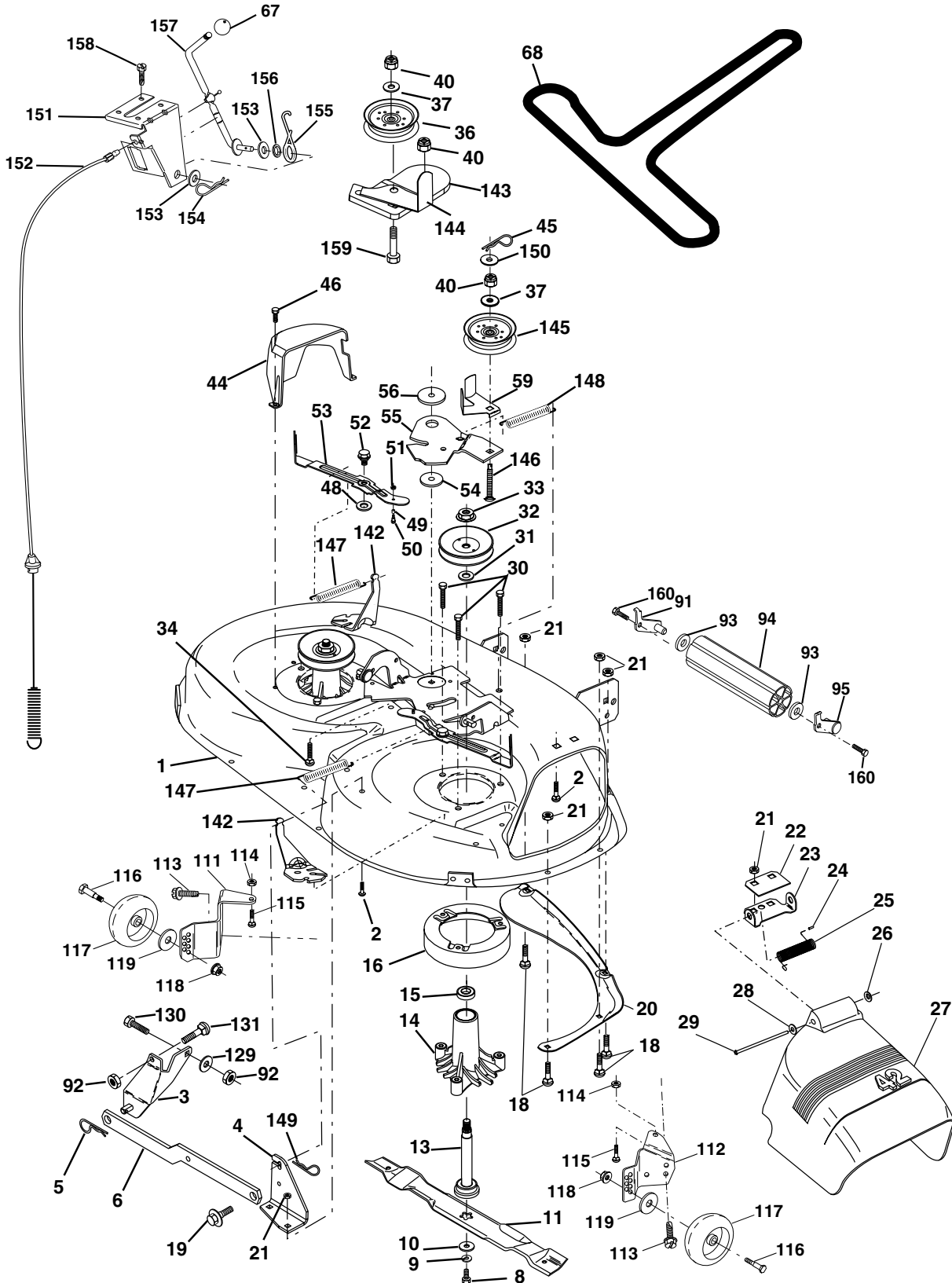
TRACTOR - - MODEL NO. YT150 (HEYT155J) PRODUCT NO. 954 17 00-37
ENGINE

KEY NO.	PART NO.	DESCRIPTION
1	532 17 08-65	Control Th/ch Flag
2	817 72 04-08	Screw Hex Thd Cut 1/4-20 x 1/2 T
3	-----	Engine, Briggs Model 311777 (Order parts from engine manufacturer)
4	532 13 73-52	Muffler LT B&S 15 HP IC OHV
13	532 16 52-91	Gasket
14	532 14 84-56	Tube Drain Oil Easy
16	811 05 06-00	Washer Lock Ext Tooth 3/8
23	532 16 98-37	Shield Browning/Debris Guard
29	532 13 71-80	Kit Spark Arrestor (Flat Scrn)
31	532 17 46-42	Tank Fuel Front 2 00
32	532 14 05-27	Cap Asm Fuel W/sym Vented
33	532 12 34-87	Clamp Hose Black
37	532 13 70-40	Line Fuel 20"
38	532 14 83-15	Plug Drain Oil Easy
40	532 12 40-28	Bushing Snap
44	817 67 04-12	Screw Hexwsh Thdrol 1/4-20x3/4
45	817 00 06-12	Screw Hexwsh Thdr 3/8-16 x 3/4
46	819 09 14-16	Washer 9/32 X 7/8 X 16 Ga
62	810 04 05-00	Washer Lock Hvy Hlcl Spr 5/16
66	532 12 79-51	Stop Throttle
72	871 07 05-12	Screw Hexhd Cap 5/16-18x 3/4
78	817 06 06-20	Screw 3/8-16x1-1/4
81	873 51 04-00	Nut Keps Hex 1/4-20 Unc

NOTE: All component dimensions given in U.S. inches
1 inch = 25.4 mm

REPAIR PARTS

TRACTOR - - MODEL NO. YT150 (HEYT155J) PRODUCT NO. 954 17 00-37
MOWER DECK



REPAIR PARTS

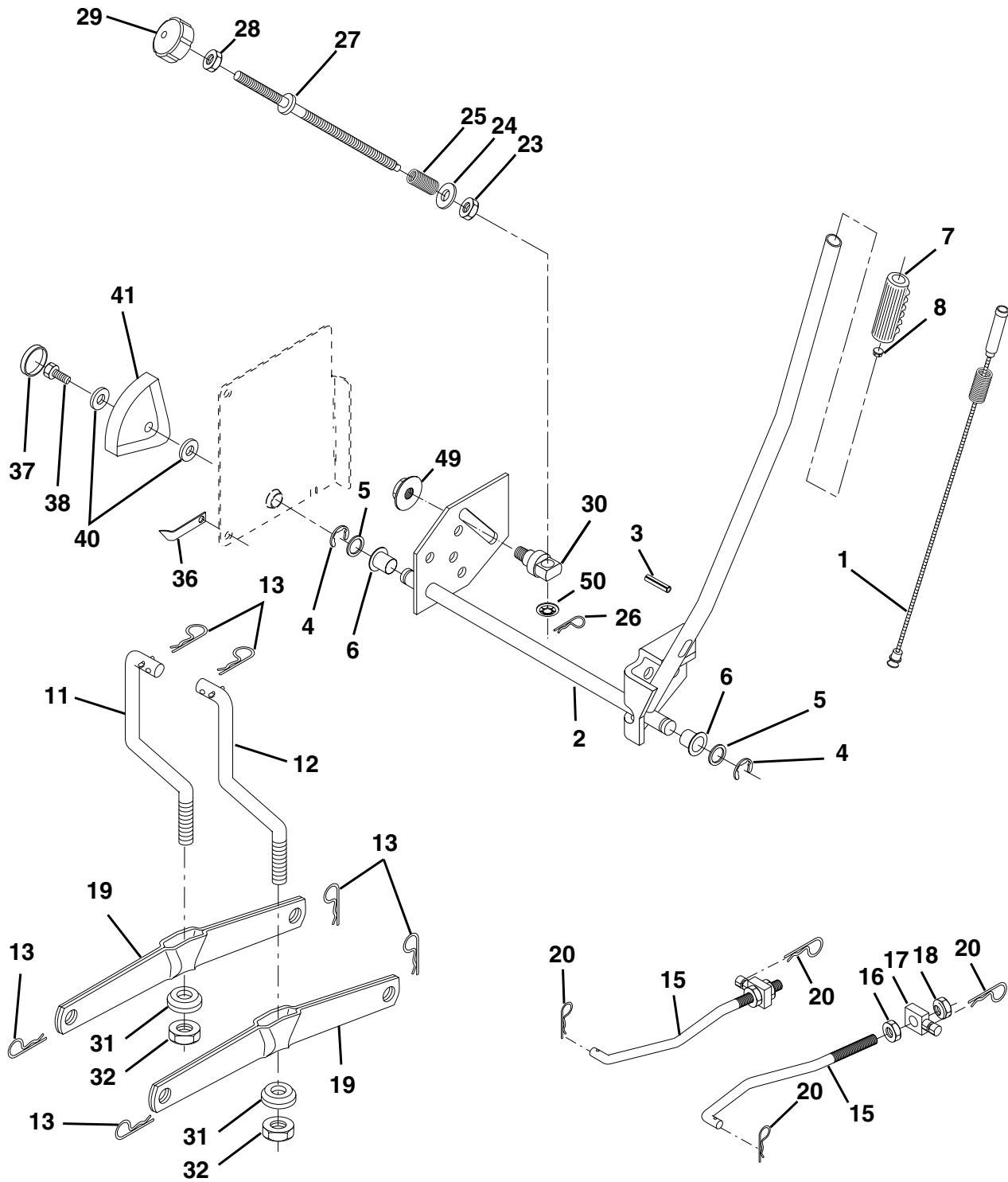
TRACTOR - - MODEL NO. YT150 (HEYT155J) PRODUCT NO. 954 17 00-37 MOWER DECK

KEY NO.	PART NO.	DESCRIPTION	KEY NO.	PART NO.	DESCRIPTION
1	532 16 58-92	Deck Asm MWR 42"weldment	59	532 14 10-43	Guard TUV Idler
2	872 14 05-06	Bolt Rdhd Sqnk 5/16-18unc X3/4	67	532 10 69-32	Knob Rd 3/8-16 Plstc Thds Blk
3	532 13 80-17	Bracket Asm Fr Sway Bar 38/42	68	532 14 49-59	V-Belt Secondary
4	532 16 54-60	Bracket Asm Deck 42"sway Bar	91	532 17 57-46	Bracket Asm Noseroller LH
5	532 12 46-70	Retainer Spring	92	873 80 06-00	Nut Lock Hex W/Ins 3/8-16 Unc
6	532 13 08-32	Arm Suspension Rear	93	819 17 14-16	Washer 17/32 x 7/8 x 16 Ga.
8	532 85 08-57	Bolt 3/8 - 24 X 1.25 Gr 8	94	532 13 22-64	Roller Nose 38 & 42
9	810 03 06-00	Washer Lock Hvy 3/8	95	532 17 57-47	Bracket Asm Noseroller RH
10	532 14 02-96	Washer Hard Blade Mower	111	532 17 92-92	Bracket Wheel Gauge LH 42" Deck
11	532 13 84-98	Blade Mower	112	532 17 92-93	Bracket Gauge Wheel RH 42" Deck
13	532 13 76-45	Shaft Asm W/lower Bearing	113	817 06 05-08	Screw 5/16-18 x 1/2
14	532 12 87-74	Housing Mandrel Vented	114	873 51 05-00	Nut Keps 5/16-18 UNC
15	532 11 04-85	Bearing Ball Mandrel	115	872 11 05-05	Bolt Carriage 5/16-UNC x 18 x 5/8
16	532 17 44-93	Stripper Mower	116	532 12 48-42	Bolt Shoulder
18	872 14 05-05	Bolt Rdhd Sqnk 5/16-18 X 5/8	117	532 16 57-46	Wheel Gauge Blk
19	532 13 28-27	Bolt Shoulder	118	873 93 06-00	Nut Centerlock 3/8-16 UNC
20	532 15 97-70	Baffle Vortex 42	119	819 12 14-14	Washer 3/8 x 7/8 x 14 Ga.
21	873 68 05-00	Nut Crownlock 5/16-18 UNC	129	819 13 13-12	Washer 13/32 x 13/16 x 12 Ga.
22	532 13 47-53	Stiffener Bracket 42"deck	130	874 78 06-16	Bolt Fin Hex 3/8-16 UNC x 1 Gr. 5
23	532 13 12-67	Bracket Deflector Mower 42"	131	872 14 06-08	Bolt Rdhd Sqnk 3/8-16 x 1
24	532 10 53-04	Cap Sleeve 80x 112 Blk Mower	142	532 16 58-90	Arm Spring Brake Mower
25	532 12 37-13	Spring Torsion Deflector 2 52	143	532 15 71-09	Bracket arm Idler 42"
26	532 11 04-52	Nut Push Phos & Oil	144	532 15 86-34	Keeper Belt 42" Clutch Cable
27	532 17 18-59	Shield Deflector Mower 42" Blk	145	532 16 58-88	Pulley Idler Flat
28	819 11 10-16	Washer 11/32 X 5/8 X 16 Ga	146	532 17 19-77	Bolt Carriage Idler
29	532 13 14-91	Rod Hinge 42"6 75 Wlg	147	532 13 13-35	Spring Extension
30	532 17 39-84	Screw Thdrol Washer Head	148	532 16 90-22	Spring Return Idler
31	532 12 99-63	Washer Spacer Mower Vented	149	532 16 58-98	Retainer Spring Yellow
32	532 15 35-35	Pulley Mandrel 42/44/50	150	819 09 12-16	Washer 9/32 x 3/4 x 16 Ga.
33	532 17 83-42	Nut Flange Top Lock	151	532 16 96-70	Bracket Clutch Cable
34	872 11 06-14	Bolt Rdhd 3/8-16uncx1-3/4 Gr5	152	532 16 96-76	Cable Clutch 42"
36	532 13 14-94	Pulley Idler Flat 3 060	153	532 16 96-74	Washer Flat 3/8" Type B
37	819 13 13-16	Washer 13/32 X 13/16 X 16	154	532 16 96-75	Spring Retainer
40	873 68 06-00	Nut Crownlock 3/8-16 UNC	155	532 16 96-71	Spring Retention Cltch Cab
44	532 14 00-88	Guard Mandrel LH Black	156	532 16 96-72	Spacer Clutch Cable
45	532 12 47-88	Spring Retainer 1" Zinc/cad	157	532 16 96-69	Rod Clutch Cable 3/8"
46	532 13 77-29	Screw Hex Thd Cut 1/4-20x5/8 T	158	817 72 04-08	Screw Hex Thd Cut 1/4-20 x 1/2
48	532 13 39-44	Washer Hardened Smaller	159	872 14 06-14	Bolt Rdhd Sqn 3/8-16 UNC x 1-3/4
49	532 17 42-84	Roller Asm Cam Follower 42"dec	160	817 06 06-12	Screw 3/8-16 x .75
50	532 13 13-40	Bolt Shldr 10-24 Zinc Gr 5 42"	--	532 17 14-91	Replacement Mower Complete
51	532 06 91-80	Nut Lock #10-24 Unc	--	532 13 07-94	Mandrel Assembly (Includes Housing, Shaft and Shaft Hardware Only - Pulley not included)
52	532 13 98-88	Bolt Shoulder 5/16-18 Unc Blkz			
53	532 13 18-45	Arm Asm Pad Brake			
54	532 13 39-43	Washer Hardened			
55	532 15 50-46	Arm Idler 42"mower LT/YT			
56	532 16 57-23	Spacer Retainer Mower			

NOTE: All component dimensions given in U.S. inches
1 inch = 25.4 mm

REPAIR PARTS

TRACTOR - - MODEL NO. YT150 (HEYT155J) PRODUCT NO. 954 17 00-37
MOWER LIFT



REPAIR PARTS

TRACTOR - - MODEL NO. YT150 (HEYT155J) PRODUCT NO. 954 17 00-37
MOWER LIFT

KEY NO.	PART NO.	DESCRIPTION
1	532 15 94-60	Wire Asm Inner W/plunger 17 32
2	532 15 94-71	Shaft Asm Lift LH Inf Hgt P/L
3	532 10 57-67	Pin Groove 1 500 Zinc
4	812 00 00-02	E Ring #5133-62
5	819 21 16-21	Washer 21/32 X 1 X 21 Ga
6	532 12 01-83	Bearing Nylon Blk 629 Id
7	532 12 56-31	Grip Handle
8	532 12 45-26	Button Plunger
11	532 13 98-65	Link Lift LH
12	532 13 98-66	Link Lift RH
13	532 12 46-70	Retainer Spring
15	532 17 32-88	Link Front
16	873 35 08-00	Nut Jam Hex 1/2-13 Unc
17	532 16 56-89	Trunnion Blk Zinc
18	873 80 08-00	Nut Lock W/wsh 1/2-13unc
19	532 13 98-68	Arm Suspension Rear
20	532 16 35-52	Retainer Spring
23	532 11 08-07	Nut Special
24	819 13 10-16	Washer 13/32 X 5/8 X 16 Ga
25	532 12 48-74	Spring 2-1/8"
26	532 16 94-84	Retainer Clip
27	532 12 69-71	Rod Adj Lift Zinc 7 49 Wrk Lg
28	873 35 06-00	Nut Hex Jam 3/8-16 Unc
29	532 13 80-57	Knob Inf 3/8-16 Unc Blk W/sym
30	532 15 02-33	Trunnion Inf Height
31	532 16 98-65	Bearing pvt. Lift
32	873 54 06-00	Nut Crownlock 3/8-24
36	532 15 50-97	Pointer pnt Height Ind.
37	532 12 39-35	Plug hole Blk 1.485/1.515 Dia
38	817 06 05-16	Screw 5/16-18 x 1 Smgml Tap/R
40	819 11 24-10	Washer 11/32 x 1-1/2 10 Ga
41	532 15 50-98	Indicator Height
49	532 14 52-12	Nut Hex Flange Lock
50	532 11 04-52	Push Nut

NOTE: All component dimensions given in U.S. inches
1 inch = 25.4 mm

TRACTOR - - MODEL NO. YT150 (HEYT155J) PRODUCT NO. 954 17 00-37 SCHEMATIC

