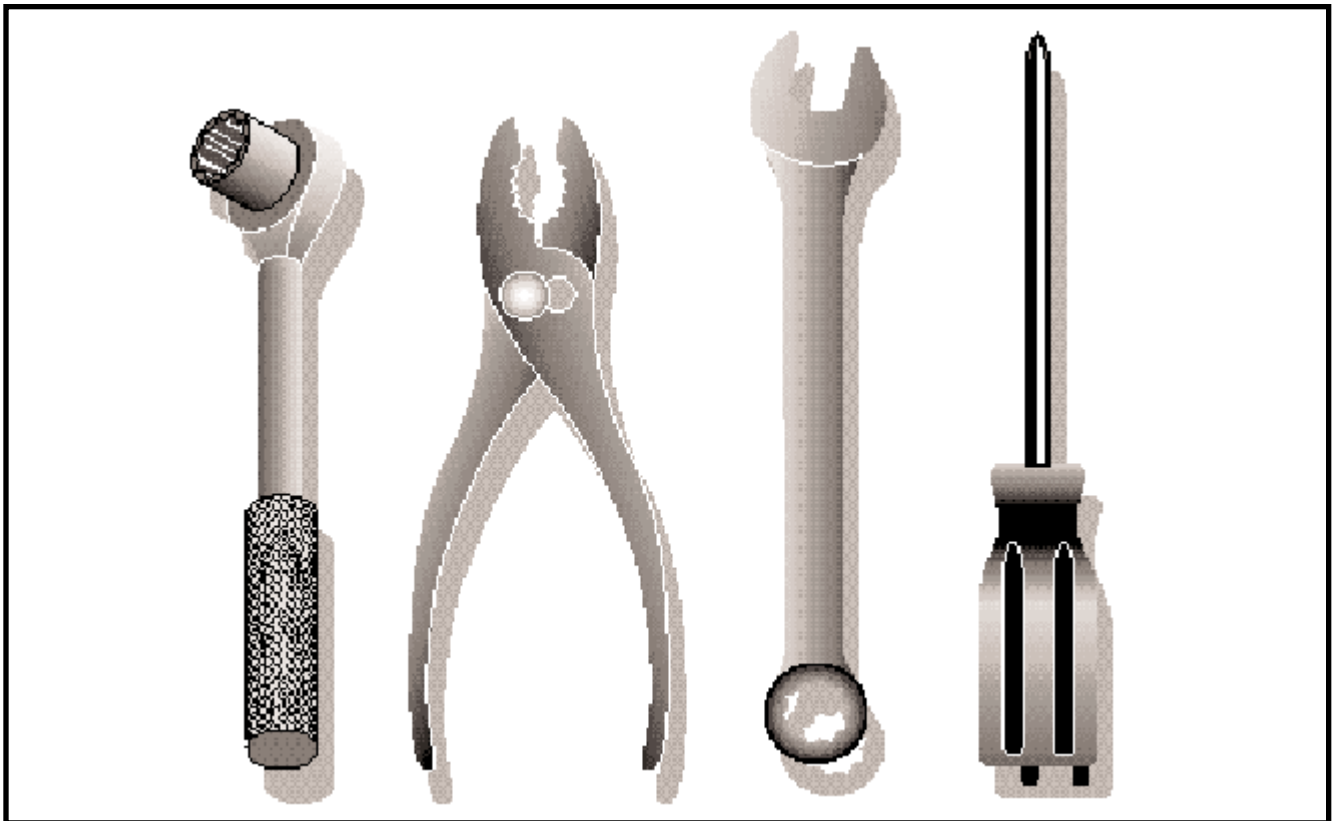


# LTH 1342 B

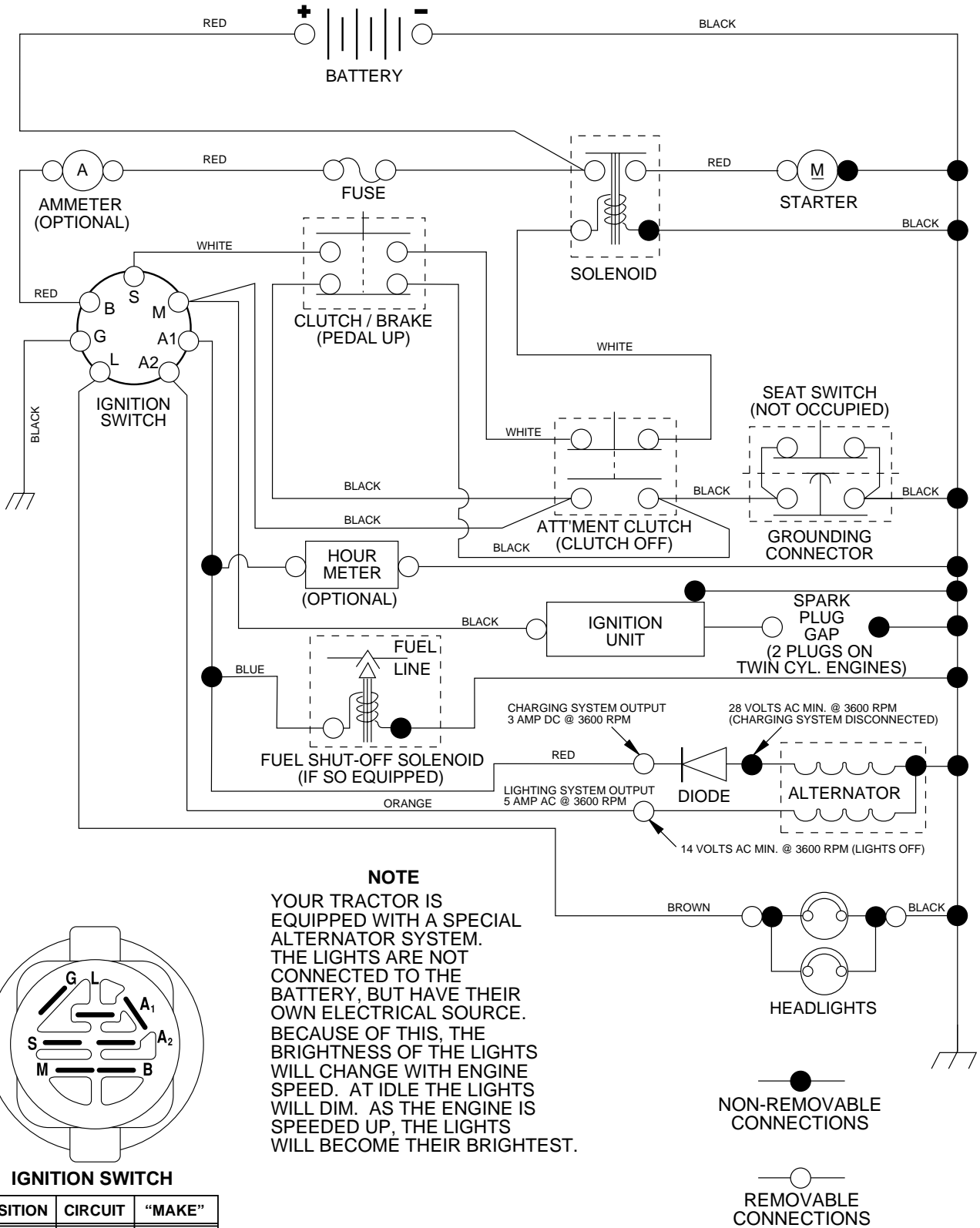
954567031



Repair Parts Manual

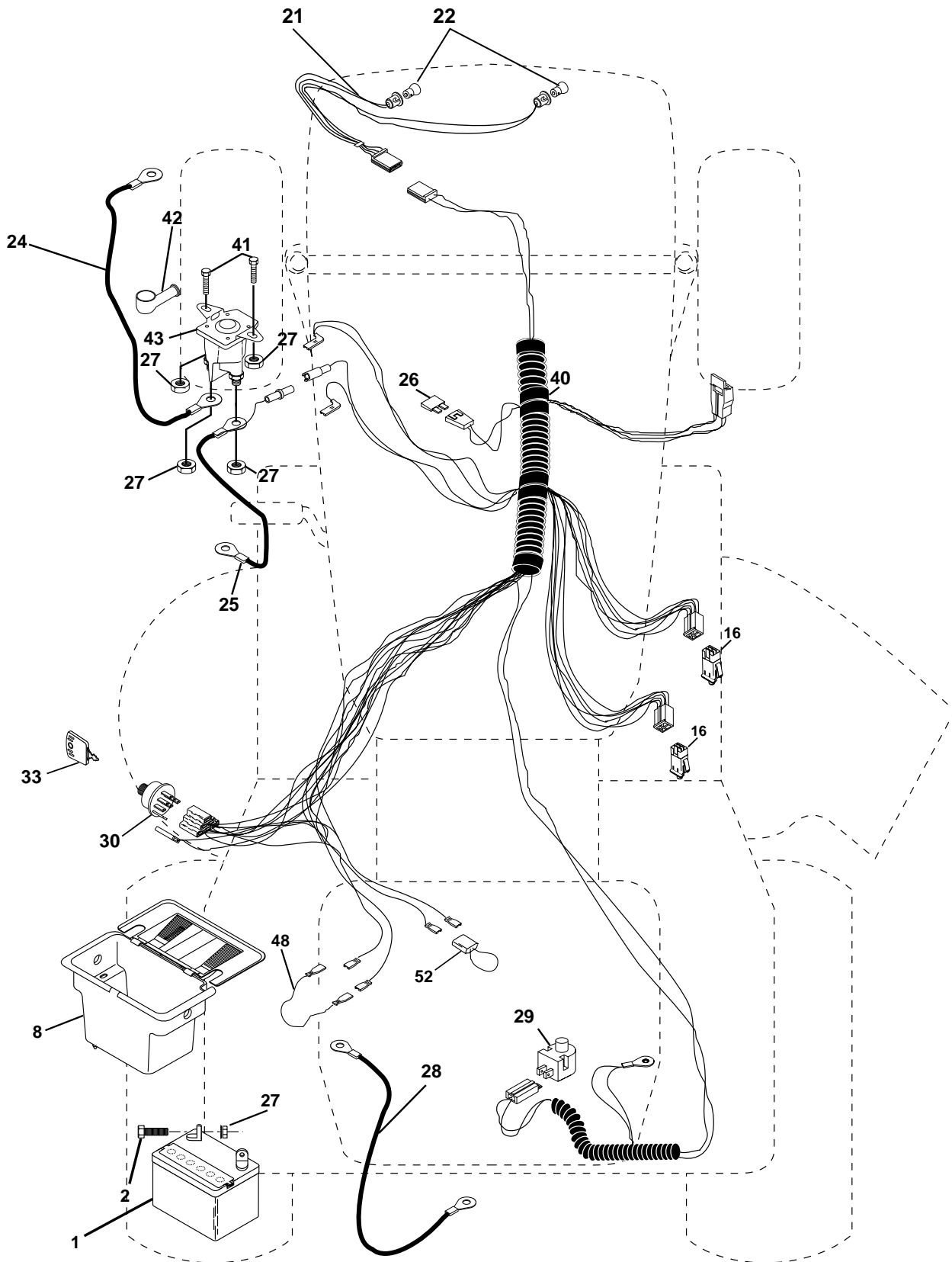
Ride Mower

# TRACTOR - MODEL NO. LTH1342 (LTH1342B), PRODUCT NO. 954 56 70-31 SCHEMATIC



# REPAIR PARTS

TRACTOR - MODEL NO. LTH1342 (LTH1342B), PRODUCT NO. 954 56 70-31  
ELECTRICAL



# REPAIR PARTS

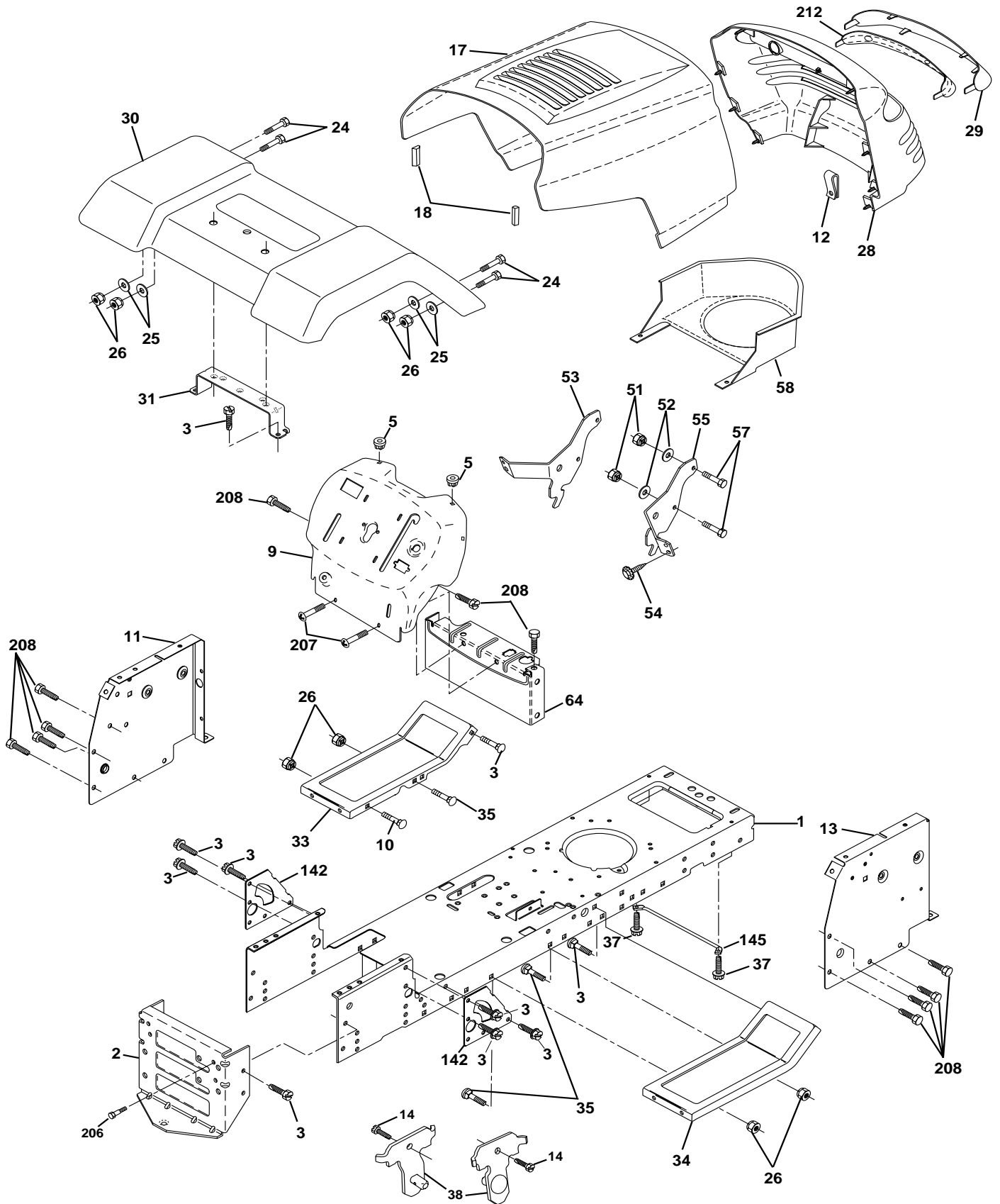
TRACTOR - MODEL NO. LTH1342 (LTH1342B), PRODUCT NO. 954 56 70-31  
ELECTRICAL

KEY NO.	PART NO.	DESCRIPTION
1	532144925	Battery 12 Volt 25 AMP
2	874760412	Bolt Hex Hd 1/4-20unc X 3/4
8	532156417	Case Battery Mech Hinge
16	532153664	Switch Interlock Push-In
21	532166181	Harness Asm Light W/4152j
22	532004152	Bulb Light #1156
24	532124780	Cable Battery 6 Ga 11" red
25	532146147	Cable Battery 6 Ga 44" red w/16 wire
26	532175158	Fuse
27	873510400	Nut Keps Hex 1/4-20 Unc
28	532124773	Cable Ground 6 Ga 12" black
29	532121305	Switch Plunger Nc Gray
30	532175566	Switch Ign Delta
33	532140401	Key Ign Molded Generic
40	532170217	Harness Ign.
41	871110408	Bolt Blk Fin Hex 1/4 - 20 x 1/2
42	532131563	Cover Terminal Red
43	532175141	Solenoid
48	532140844	Adapter Ammeter Rectangular
52	532141940	Protection Wire Loop

**NOTE:** All component dimensions given in U.S. inches.  
1 inch = 25.4 mm.

# REPAIR PARTS

TRACTOR - MODEL NO. LTH1342 (LTH1342B), PRODUCT NO. 954 56 70-31  
CHASSIS AND ENCLOSURES



# REPAIR PARTS

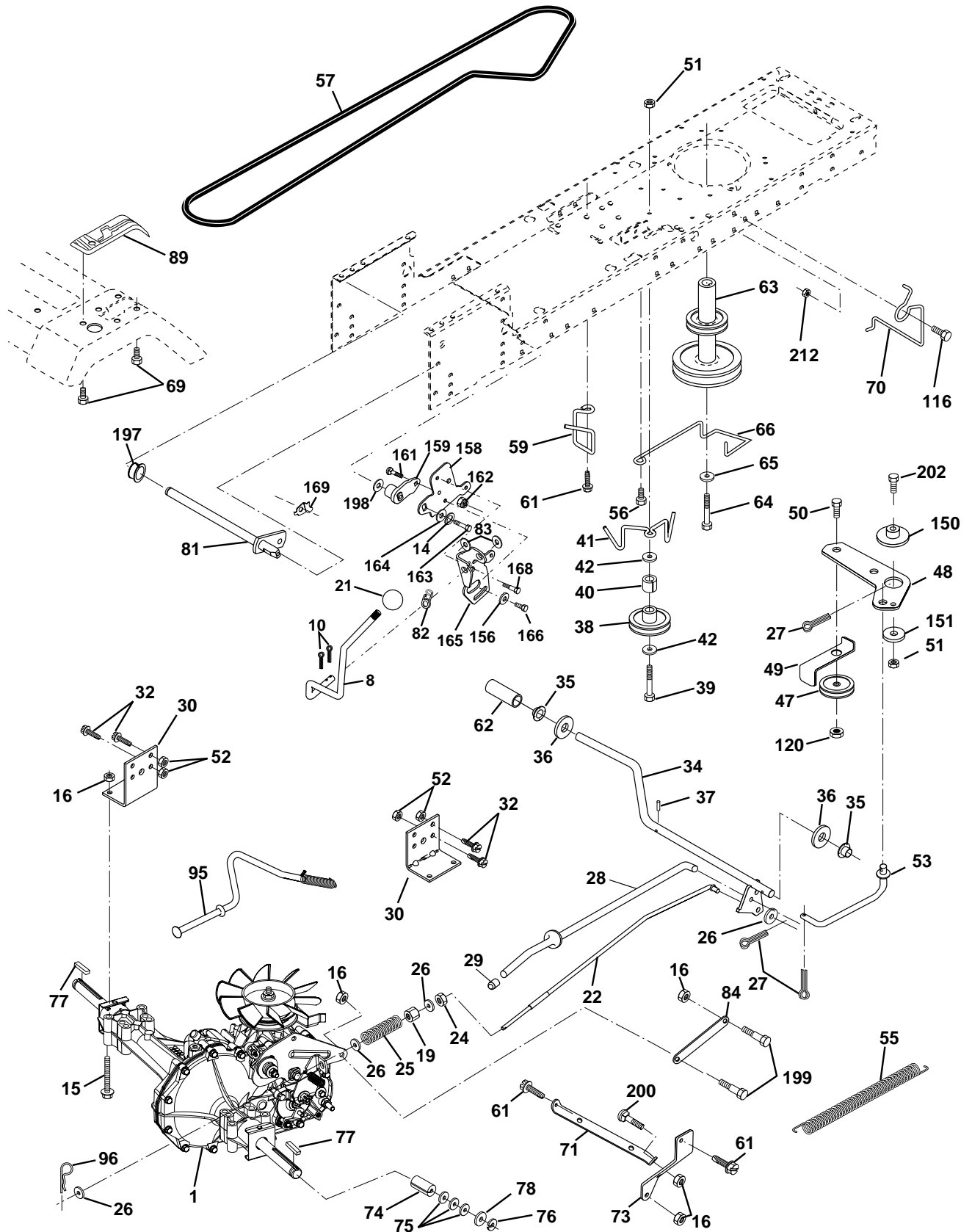
TRACTOR - MODEL NO. LTH1342 (LTH1342B), PRODUCT NO. 954 56 70-31  
CHASSIS AND ENCLOSURES

KEY NO.	PART NO.	DESCRIPTION
1	532174619	Chassis Stamping
2	532176554	Drawbar, 12 Ga.
3	817060612	Screw 3/8-16 x 3/4
5	532155272	BumperHood/Dash
9	532171853	Dash Slkscr
10	872140608	Bolt Carriage 3/8-16 x 1
11	532155927	Panel Dash Lh
12	532145660	Clip Tinnerman Grille P/L
13	532173025	Panel Dash Rh
14	817490608	Screw Thdrol 3/8-16 x 1/2
17	532162237	Hood LT/PL
18	532126938	BumperHood
24	874780616	Bolt Fin Hex 3/8-16unc x 1 Gr 5
25	819131312	Washer 13/32 X 13/16 X 12 Ga
26	873800600	Nut Lock Hex W/Ins 3/8-16 Unc
28	532143499	Grille/Lens Asm
29	532168154	Lens P/L
30	532176953	Fender Footrest LTST Pnt
31	532136619	Bracket Fender
33	532147203	Footrest Pnt Lh LT/YT/GT 418
34	532147202	Footrest Pnt Rh LT/YT/GT 418
35	872110606	Bolt Rdhd Sht Sqnk 3/8-16 x 3/4
37	817490508	Screw Thdrol 6/16-18 x 1/2 TYT
38	532169834	Bracket Asm Pivot Mower Rear
51	873800400	Nut Lock W/Insert 1/4-20unc
52	819091416	Washer 9/32 x 7/8 x 16 Ga.
53	532144697	Bracket Grille Lh
54	532161464	Screw Hex Wshd 8-18 x 7/8
55	532144696	Bracket Grille Rh
57	874780412	Bolt Hex 1/4-20 x 3/4
58	532150127	Air Duct Engine P/L
64	532154798	Dash Lower STLT
142	532165867	Plate Reinforcement STLT
145	532156524	Rod Pivot Chassis/Hood
206	532170165	Bolt Shoulder 5/16-18 TT
207	817670508	Screw Thdrol 5/16-18 x 1/2
208	817670608	Screw Thdrol 3/8-16x1/2 Ty-tt
212	532156229	Insert Lens Reflective
--	532005479	Plug Button

**NOTE:** All component dimensions given in U.S. inches  
1 inch = 25.4 mm

# REPAIR PARTS

TRACTOR - MODEL NO. LTH1342 (LTH1342B), PRODUCT NO. 954 56 70-31  
DRIVE



# REPAIR PARTS

TRACTOR - MODEL NO. LTH1342 (LTH1342B), PRODUCT NO. 954 56 70-31  
DRIVE

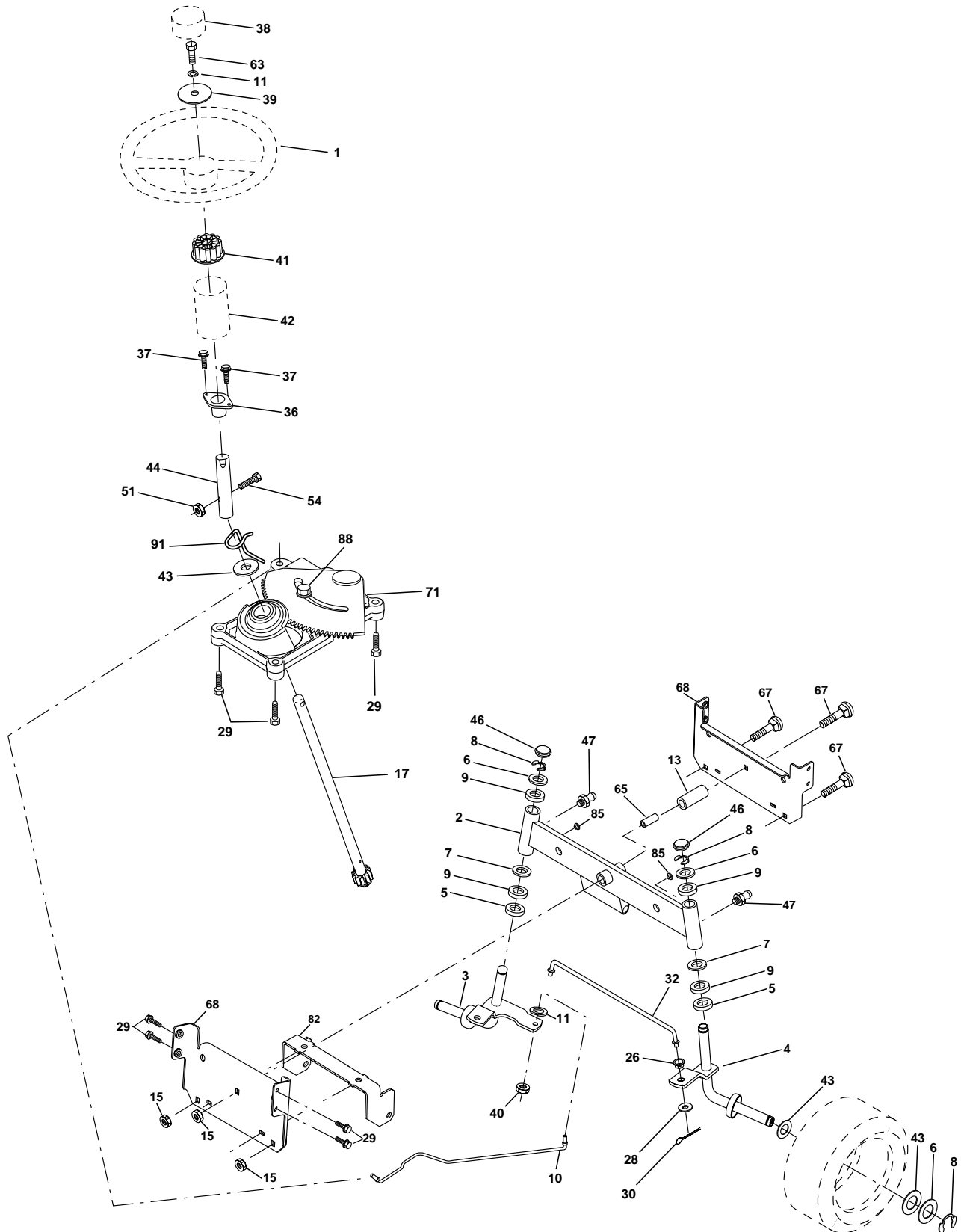
KEY NO.	PART NO.	DESCRIPTION	KEY NO.	PART NO.	DESCRIPTION
1	-----	Transaxle Hydro Gr Model 322-0510 (Order parts from transaxle mfg.)	69	532142432	Screw Hex Wsh Hi-Lo 1/4-1/2 Unc
8	532165619	Rod Shift Fender	70	532134683	Guide Belt Mower Drive RH
10	876020416	Pin Cotter 1/8 x 1 CAD	71	532169183	Strap Torque Lh Hydro
14	810040400	Washer Lock Hvy Helical 1/4	73	532169182	Strap Torque Rh Hydro
15	874490544	Bolt Hex Flg Hd 5/16-18 X Gr.5	74	532137057	Spacer, Axle
16	873800500	Nut Lock Hex W/Ins. 5/16-18 Unc P	75	532121749	Washer 25/32 x 1-1/4 x 16 Gauge
19	873800600	Nut Lock Hex W/Wsh 3/8-16 Unc	76	812000001	E-Ring
21	532140845	Knob, Deluxe	77	532123583	Key, Square
22	532169498	Rod, Brake Hydro	78	532121748	Washer 25/32 x 1-5/8 x 16 Gauge
24	873350600	Nut	81	532165596	Shaft Asm. Cross Hydro
25	532106888	Spring, Brake Rod	82	532123782	Spring Torsion T/A
26	819131316	Washer	83	819171216	Washer 17/32 x 3/4 x 16 Ga.
27	876020412	Pin Cotter 1/8 x 3/4 CAD.	84	532169843	Link Transaxle
28	<b>532175765</b>	Rod, Parking Brake	89	532176940	Console, Shift
29	532071673	Cap, Parking Brake	95	532170201	Control Asm Bypass Hydro
30	532174973	Bracket, Transaxle	96	532124788	Retainer Spring 1" Zinc/Cad
32	874760512	Bolt Hex Hd 5/16-18 Unc x 3/4	103	873940800	Nut Hex Jam Toplock 1/2-20 Unf
34	<b>532175578</b>	Shaft, Foot Pedal	116	<b>872140608</b>	Boulon 3/8-16 x 1
35	532120183	Bearing, Nylon	120	<b>873900600</b>	Nut Lock Flg 3/8-16
36	819211616	Washer	150	<b>532175456</b>	Spacer Retainer
37	532124963	Pin, Roll	151	819133210	Washer 13/32 x 2 x 10 Ga.
38	<b>532175936</b>	Pulley, Composite, Flat	156	532166002	Washer Srrtd 5/16 ID x 1.0 x .125 Tk
39	<b>874760648</b>	Bolt	158	532165589	Bracket Shift Mount
40	<b>532175461</b>	Spacer, Split	159	532165494	Hub Tapered Flange Shift LT
41	<b>532175556</b>	Keeper, Belt Idler	161	872140406	Bolt Rdhd Sqnk 1/4-20 x 3/4 Gr. 5
42	819131312	Washer 13/32 x 13/16 x 12 Gauge	162	873680400	Nut Crownlock 1/4-20 Unc
47	532127783	Pulley, Idler, V-Groove	163	874780416	Bolt Hex Fin 1/4-20 unc x 1 Gr. 5
48	532154407	Bellcrank Clutch Grnd Drv Stl	164	819091010	Washer 5/8 x .281 x 10 Ga
49	532123205	Retainer, Belt	165	532165623	Bracket Pivot Lever
50	874760624	Bolt	166	532166880	Screw 5/16-18 x 5/8 TT Yellow
51	873680600	Nut	168	532165492	Bolt Shoulder 5/16-18 x .561 TT
52	873680500	Nut Crownlock 5/16-18	169	532165580	Plate Fastening Cross Shf. STLT/ CRD
53	532105710	Link, Clutch	197	532169613	Nyliner Snap-In 5/8" ID
55	532105709	Spring, Return, Clutch	198	532169593	Washer Nyl. 7/8 ID x .105"
56	<b>817060616</b>	Screw 3/8-16 x 1.0	199	532169612	Bolt Shoulder 5/16-18 Unc
57	532140294	V-Belt, Ground Drive	200	872140508	Bolt Rdhd Sq Neck 5/16-18unc x 1
59	532169691	Keeper, Center Span	202	<b>872110614</b>	Bolt Carr Sh 3/8-16 x 1-3/4 Gr. 5
61	817060612	Screw 3/8-16 x 3/4	205	819171616	Washer 17/32 x 1 x 16 Ga.
62	532124872	Cover, Pedal	212	<b>532145212</b>	Nut Hex Flg Lock
63	<b>532175410</b>	Pulley, Clutch Eng			
64	871170764	Bolt Hex 7/16-20 x 4 Ga. 5			
65	810040700	Washer			
66	532154778	Keeper Belt Engine			

**NOTE:** All component dimensions give in U.S. inches.  
1 inch = 25.4 mm.



# REPAIR PARTS

TRACTOR - MODEL NO. LTH1342 (LTH1342B), PRODUCT NO. 954 56 70-31  
STEERING ASSEMBLY



# REPAIR PARTS

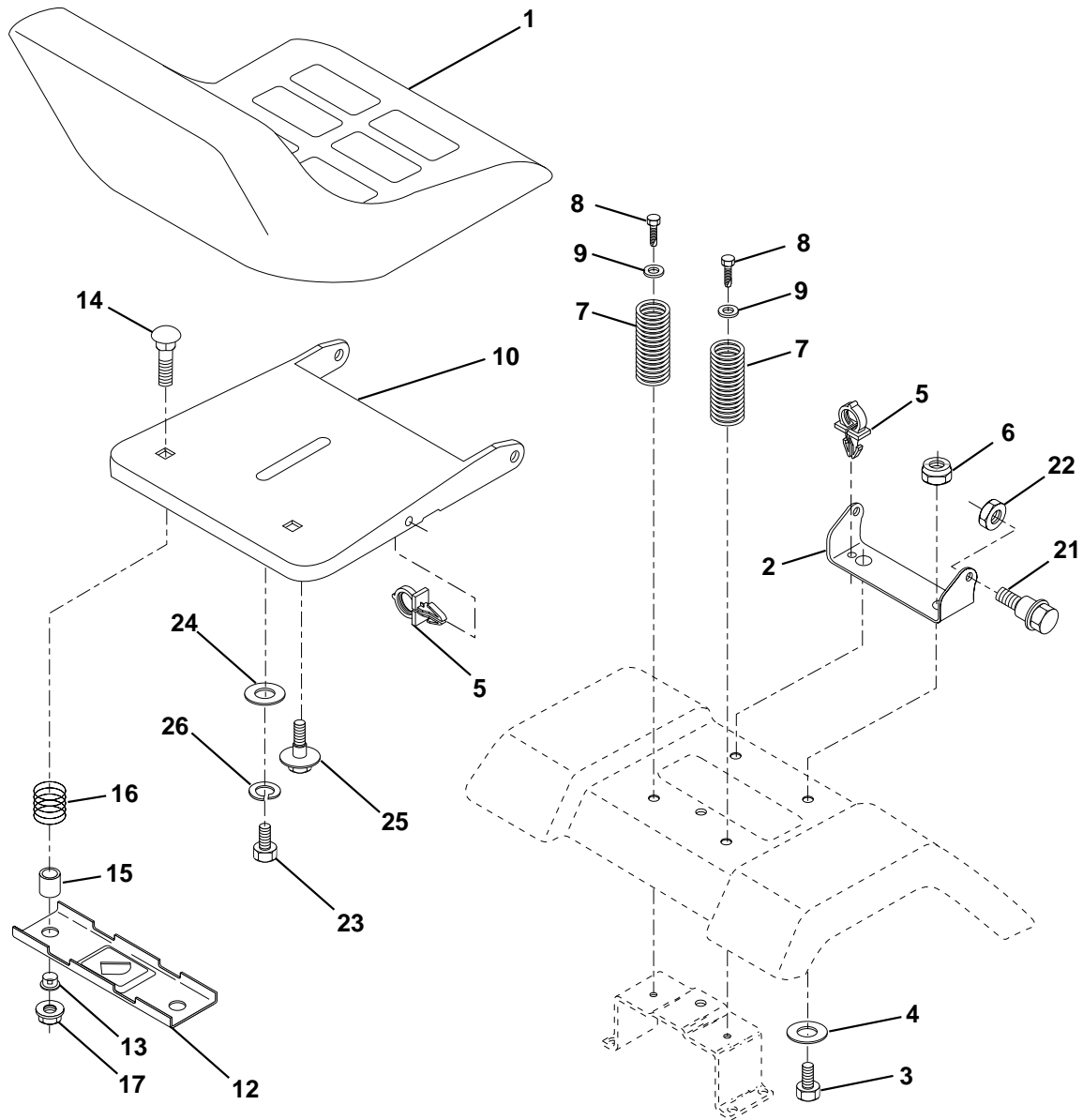
## TRACTOR - MODEL NO. LTH1342 (LTH1342B), PRODUCT NO. 954 56 70-31 STEERING ASSEMBLY

KEY NO.	PART NO.	DESCRIPTION
1	532124415	Wheel Steering
2	532154427	Axle Asm STMP Dropped STL
3	532169840	Spindle Asm LH
4	532169839	Spindle Asm RH
5	532124931	Bearing Race Thrust Harden
6	532121748	Washer 25/32 X 1-5/8 X 16 Ga
7	819272016	Washer 27/32 X 1-1/4 X 16 Ga
8	812000029	Ring Klip #t5304-75
9	532124937	Bearing Col Strg Blk
10	<b>532175121</b>	Link Drag
11	810040600	Washer Lock Hvy Hlcl Spr 3/8
13	532136518	Spacer Brg Axle Front
15	532145212	Nut Hex Flange Lock
17	<b>532177876</b>	Shaft Asm Strg
26	532126847	Bushing Link Drag Blk LR
28	819131416	Washer 13/32 X 7/8 X 16 Ga
29	817060612	Screw 3/8-16x3/4
30	876020412	Pin Cotter 1/8 X 3/4 Cad
32	532130465	Rod Tie Wire Form 19 75 Mech
36	532155099	Bushing Strg
37	532152927	Screw
38	532124416	Cap Wheel Steering
39	819133812	Washer 13/32 X 2-3/8 X 12 Ga
40	532124701	Lock nut
41	532100711	Adaptor Wheel Strg
42	532169634	Boot Steering Shaft
43	532121749	Washer 25/32 X 1 1/4 X 16 Ga
44	532153720	Extension Steering Shaft LR/LT
46	532121232	Cap Spindle Fr Top Blk
47	532124836	Fitting Grease
51	873800500	Nut Lock Hex w/Ins 5/16-18
54	874780520	Bolt Fin Hex 5/16-18 Unc x 1-1/4
63	874780616	Bolt Fin Hex 3/8-16unc x 1 Gr. 5
65	532160367	Spacer Brace Axle
67	872140618	Bolt Rdhd Sq 3/8-16 x 2-1/4
68	532169827	Axle, Brace
71	<b>532175146</b>	Steering Asm
82	532169835	Bracket Susp Chassis Front
85	532133835	Fastner Christmas Tree
88	<b>532175118</b>	Bolt Shoulder 7/16-20
91	<b>532175553</b>	Clip Steering

**NOTE:** All component dimensions given in U.S. inches.  
1 inch = 25.4 mm.

# REPAIR PARTS

TRACTOR - MODEL NO. LTH1342 (LTH1342B), PRODUCT NO. 954 56 70-31  
SEAT ASSEMBLY



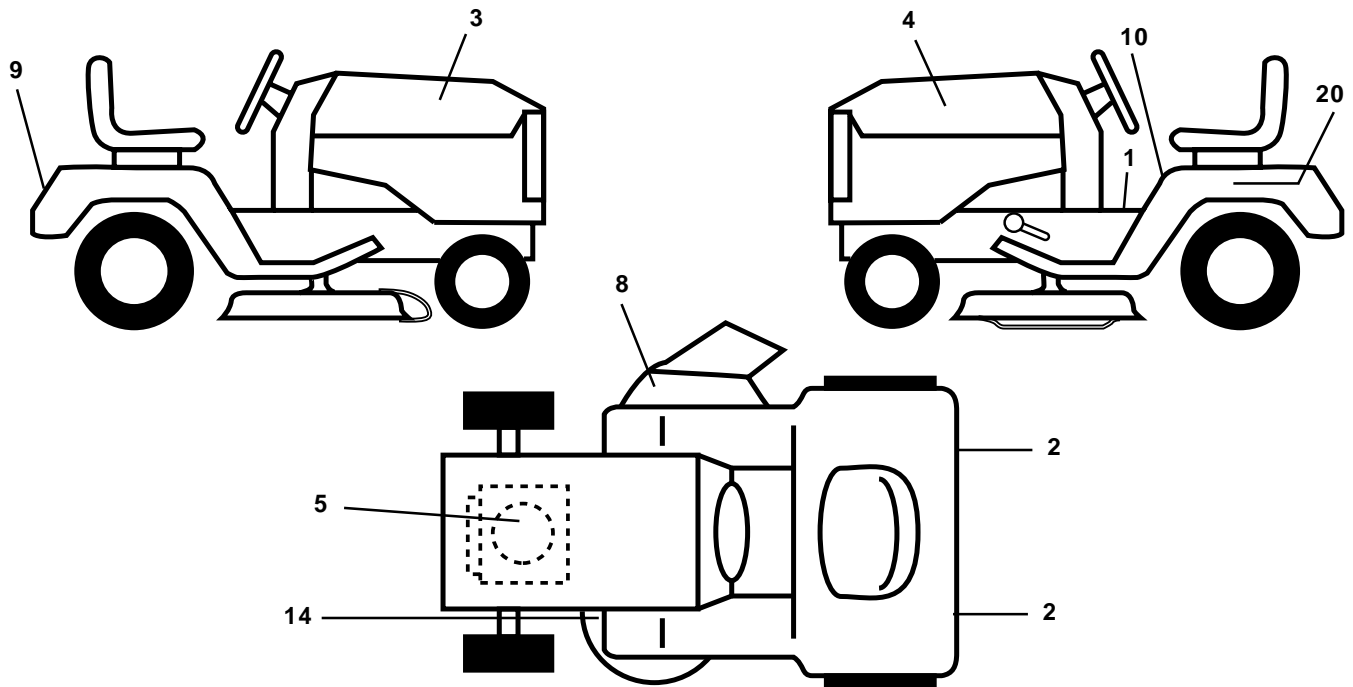
KEY NO.	PART NO.	DESCRIPTION
1	532140838	Seat
2	532140551	Bracket Pivot Seat 8 720
3	871110616	Bolt Fin Hex 3/8-16unc X 1
4	819131610	Washer 13/32 X 1 X 10 Ga
5	532145006	Clip Push-In
6	873800600	Nut Hex w/Ins. 3/8-16 Unc
7	532124181	Spring Seat Cprsn 2 250 Blk Zi
8	817000616	Screw 3/8-16 X 1
9	819131614	Washer 13/32 X 1 X 14 Ga.
10	532174894	Pan Seat
12	532121246	Bracket Mounting Switch
13	532121248	Bushing Snap Blk Nyl 50 Id
14	872050412	Bolt Rdhd Sqnk 1/4-20x1-1/2

KEY NO.	PART NO.	DESCRIPTION
15	532134300	Spacer Split 28x 96 Yel Zinc
16	532121250	Spring Cprsn 1 27 Blk Pnt
17	532123976	Nut Lock 1/4 Lge Flg Gr 5 Zinc
21	532171852	Bolt Shoulder 5/16-18 Unc-2A
22	873800500	Nut Hex Lock W/Ins 5/16-18
23	871110814	Bolt, Hex Black
24	819171912	Washer 17/32 X 1-3/16 X 12 Ga.
25	532127018	Bolt Shoulder 5/16-18 X 62
26	810040800	Washer Lock

**NOTE:** All component dimensions given in U.S. inches.  
1 inch = 25.4 mm

# REPAIR PARTS

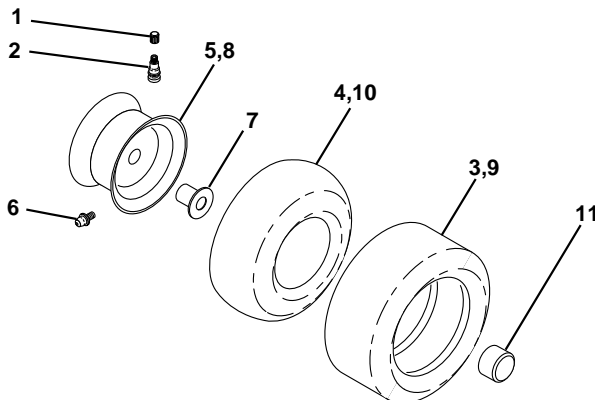
TRACTOR - MODEL NO. LTH1342 (LTH1342B), PRODUCT NO. 954 56 70-31  
DECALS



KEY NO.	PART NO.	DESCRIPTION
1	532157032	Decal Oper. Step Thru Eng/Fr
2	532106202	Reflector Tail Light Red/Amber
3	532176771	Decal Hood RH
4	532176772	Decal Hood LH
5	532170848	Decal HP Engine
8	532170563	Decal Warning
9	532176822	Decal Fender Husq
10	532157140	Decal Fender Danger Eng/Fr

KEY NO.	PART NO.	DESCRIPTION
14	532160396	Decal V-Belt Schematic
20	532145005	Decal Bat Dan/Psn
--	532133671	Pad Footrest
--	532138311	Decal Handle Lft Height Adjust
--	532169210	Decal Bypass Lt Hydro
--	<b>532177969</b>	Manual Owner's (English)
--	<b>532177970</b>	Manual Owner's (French)

## WHEELS & TIRES

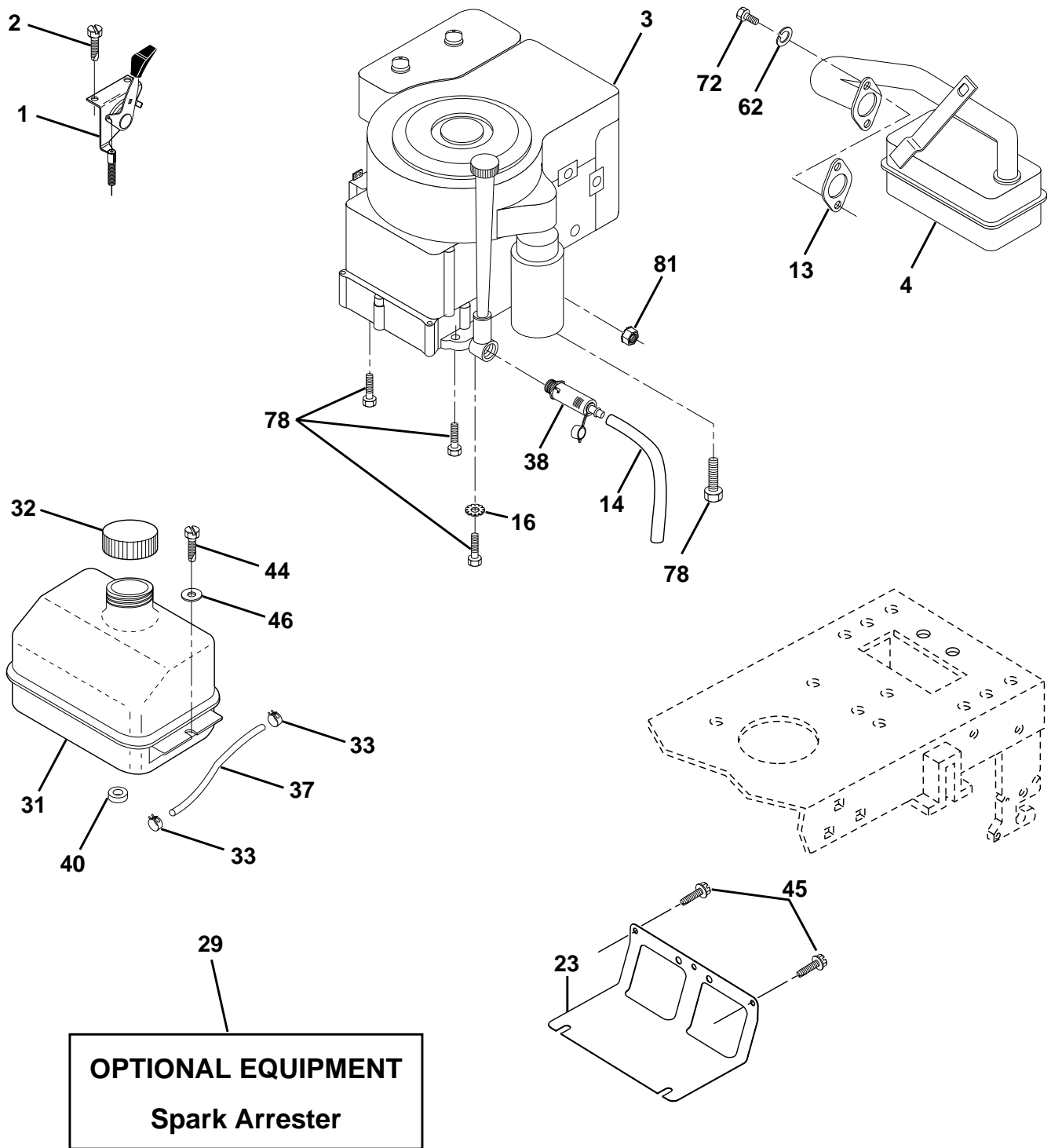


KEY NO.	PART NO.	DESCRIPTION
1	532059192	Cap Valve Tire
2	532065139	Stem Valve
3	532106222	Tire F Ts 15 X 6 0 - 6 Service
4	532059904	Tube Front (Service Item Only)
5	532138336	Rim Asm 6"front Silver Service
6	532124957	Fitting Grease (Front Wheel Only)
7	532124959	Bearing Flange (Front Wheel Only)
8	532138337	Rim Asm 8"rear Silver Service
9	532106268	Tire R Ts 18x9 5-8 C Service
10	532124926	Tube Rear (Service Item Only)
11	532175039	Cap Axle Blk 1 50 X 1 00
--	532144334	Sealant, Tire ( 10 oz. Tube)

**NOTE:** All component dimensions given in U.S. inches  
1 inch = 25.4 mm

# REPAIR PARTS

TRACTOR - MODEL NO. LTH1342 (LTH1342B), PRODUCT NO. 954 56 70-31  
ENGINE



# REPAIR PARTS

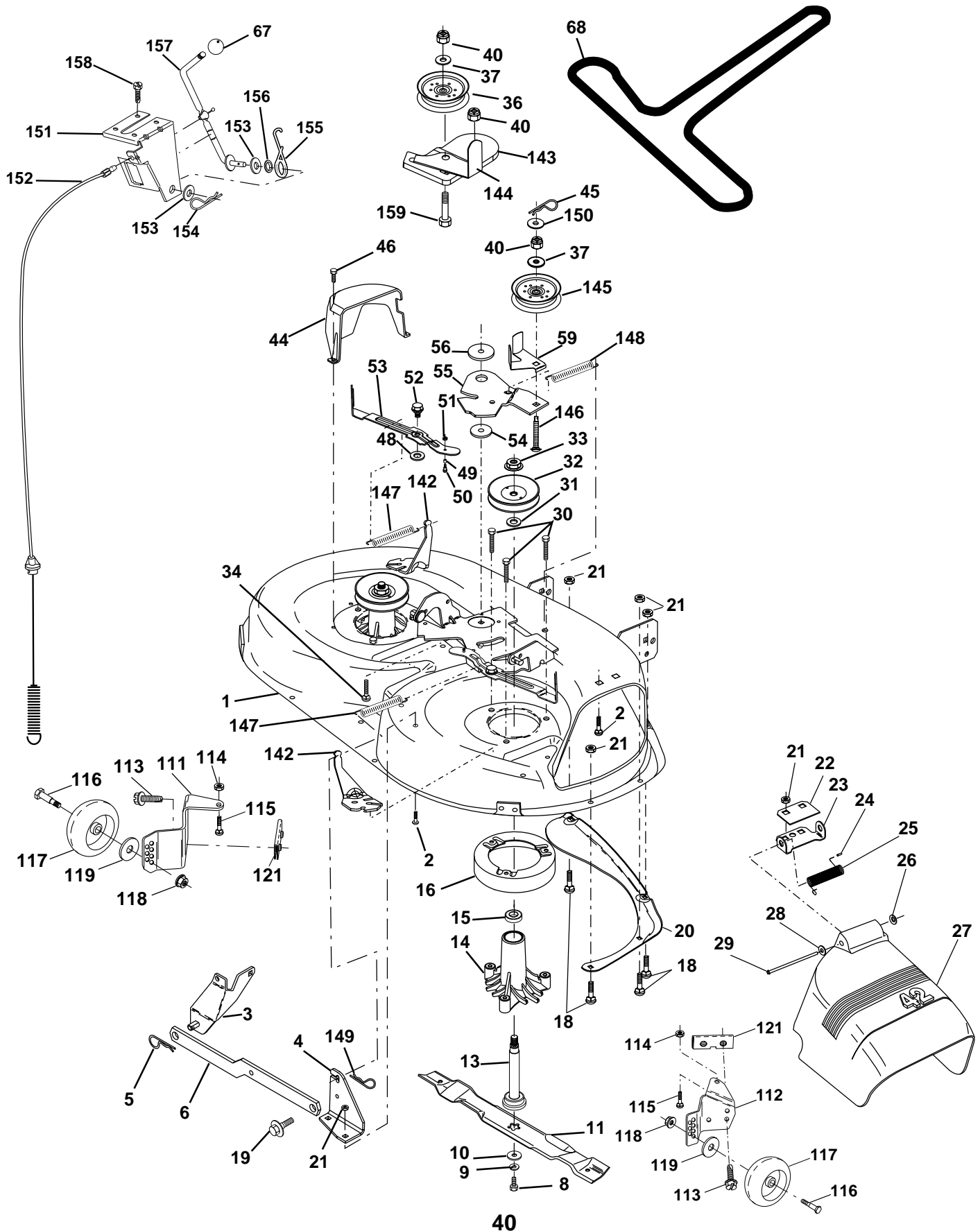
TRACTOR - MODEL NO. LTH1342 (LTH1342B), PRODUCT NO. 954 56 70-31  
ENGINE

KEY NO.	PART NO.	DESCRIPTION
1	532170551	Control Th/ch Flag
2	817720410	Screw Hex Thd Cut 1/4-20x5/8 T
3	-----	Engine, Briggs 28R707 (Order parts from engine manufacturer)
4	532137348	Muffler LT B&S 12/12.5/13HP
13	532165291	Gasket Eng 1 313 Id Tin Plated
14	532148456	Tube Drain Oil Easy
16	811050600	Washer Lock Ext Tooth 3/8
23	532169837	Shield Brn/Dbr Guard
29	532137180	Kit Spark Arrestor (Flat Scrn)
31	532109202	Tank Fuel Front
32	532140527	Cap Asm Fuel W/sym Vented
33	532123487	Clamp Hose Black
37	532137040	Line Fuel 20"
38	532148315	Plug Drain Oil Easy
40	532124028	Bushing Snap Nyl Blk Fuel Line
44	817670412	Screw Hexwsh Thdrol 1/4-20 x 3/4
45	817000612	Screw Hexwsh Thdr 3/8-16 x 3/4
46	819091416	Washer 9/32 x 7/8 x 16 Ga
62	810040500	Washer Lock Hvy Hlcl Spr 5/16
72	871070512	Screw Hexhd Cap 5/16-18 x 3/4
78	817060620	Screw 3/8-16 x 1-1/4
81	873510400	Nut Keps Hex 1/4-20 Unc

**NOTE:** All component dimensions given in U.S. inches  
1 inch = 25.4 mm

# REPAIR PARTS

TRACTOR - MODEL NO. LTH1342 (LTH1342B), PRODUCT NO. 954 56 70-31  
MOWER DECK



# REPAIR PARTS

## TRACTOR - MODEL NO. LTH1342 (LTH1342B), PRODUCT NO. 954 56 70-31 MOWER DECK

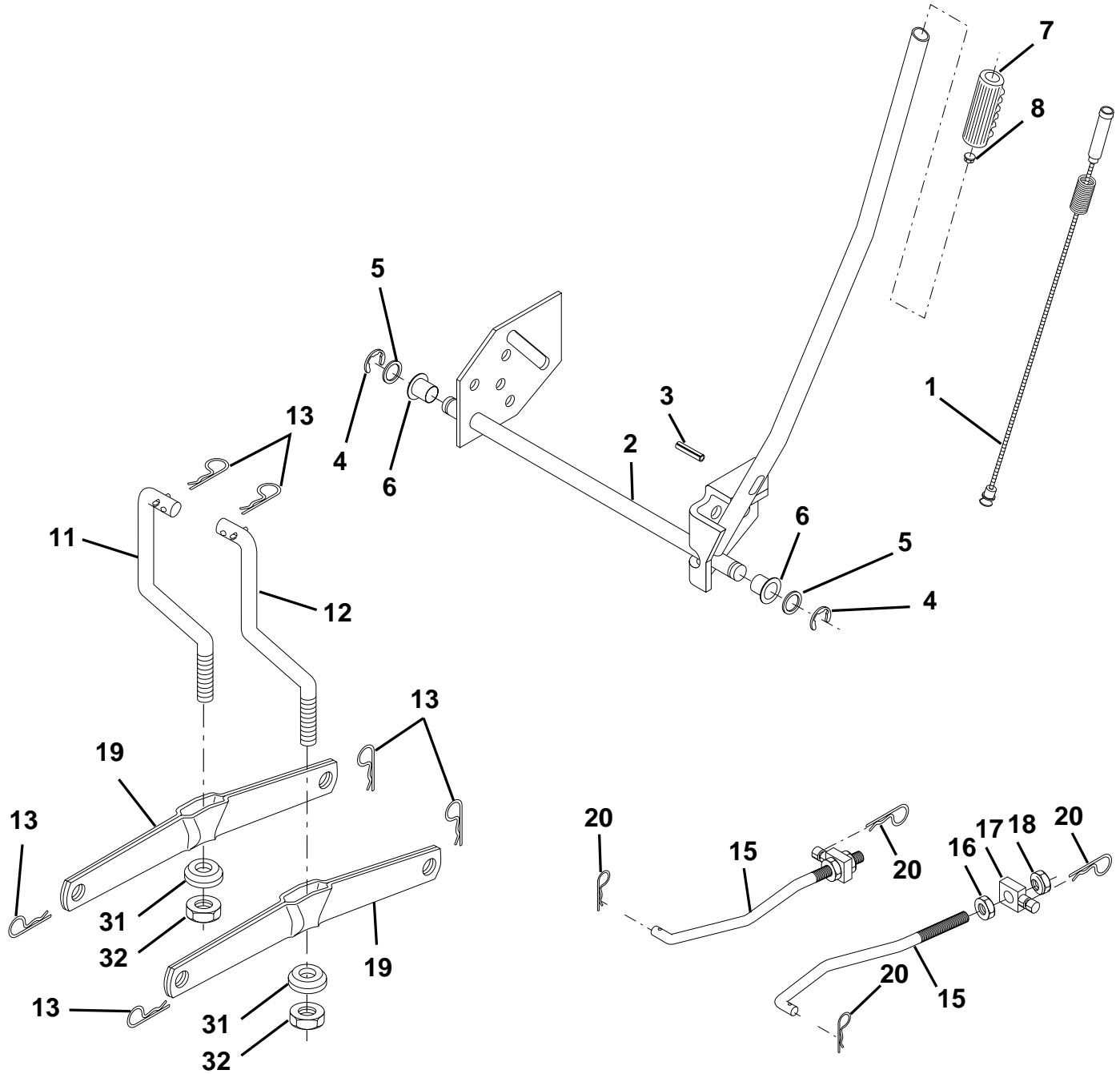
KEY NO.	PART NO.	DESCRIPTION	KEY NO.	PART NO.	DESCRIPTION
1	532176922	Deck Asm MWR 42"weldment	54	532133943	Washer Hardened
2	872140506	Bolt Rdhd Sqnk 5/16-18unc X3/4	55	532176932	Arm Idler 42"mower LT/YT
3	532138017	Bracket Asm Fr Sway Bar 38/42	56	532122052	Spacer Retainer Mower
4	532176935	Bracket Asm Deck 42"sway Bar	59	532173442	Guard TUV Idler
5	532124670	Retainer Spring	67	532106932	Knob Rd 3/8-16 Plstc Thds Blk
6	532130832	Arm Suspension Rear	68	532144959	V-Belt Mower 42"
8	532850857	Bolt 3/8 - 24 X 1.25 Gr 8	111	532176933	Bracket Wheel Gauge LH 42" Deck
9	810030600	Washer Lock Hvy 3/8	112	532176934	Bracket Gauge Wheel RH 42" Deck
10	532140296	Washer Hard Blade Mower Vented	113	817060514	Screw Tapping 5/16-18 Unc
11	532138498	Blade Mower 42"	114	873510500	Nut Keps 5/16-18 UNC
13	532137645	Shaft Asm W/lower Bearing	115	872110504	Bolt Carriage 5/16-UNC x 1/2
14	532128774	Housing Mandrel Vented	116	532124842	Bolt Shoulder
15	532110485	Bearing Ball Mandrel	117	532165746	Wheel Gauge
16	<b>532174493</b>	Stripper Mower	118	873930600	Nut Centerlock 3/8-16 UNC
18	872140505	Bolt Rdhd Sqnk 5/16-18 X 5/8	119	819121414	Washer 3/8 x 7/8 x 14 Ga.
19	532132827	Bolt Shoulder	121	532173986	Bracket Extruded Guage Wheel
20	532159770	Baffle Vortex 42	142	532176925	Arm Spring Brake Mower
21	873680500	Nut Crownlock 5/16-18 UNC	143	532176931	Bracket Arm Idler 42"
22	532176929	Stiffener Bracket 42"deck	144	532173441	Keeper Belt 42" Clutch
23	532176927	Bracket Deflector Mower 42"	145	532173437	Pulley Idler Flat
24	532105304	Cap Sleeve 80x 112 Blk Mower	146	532173443	Bolt Carriage Idler
25	532123713	Spring Torsion Deflector 2 52	147	532131335	Spring Extension
26	532110452	Nut Push Phos & Oil	148	532169022	Spring Return Idler
27	532171634	Shield Deflector Mower 42" Blk	149	532165898	Retainer Spring Yellow
28	819111016	Washer 11/32 X 5/8 X 16 Ga	150	819091216	Washer 9/32 x 3/4 x 16 Ga.
29	532131491	Rod Hinge 42"6 75 Wlg	151	532169670	Bracket Clutch Cable
30	532157722	Screw Thd Rolling Washer Head	152	532169676	Clutch Cable 42"
31	532129963	Washer Spacer Mower Vented	153	532169674	Washer Flat 3/8" Type B
32	532173436	Pulley Mandrel 42"	154	532169675	Spring Retainer
33	532137266	Nut 9/16 Toplock Flng Oil Dip	155	532169671	Spring Retention Lvr Cltch Cab
34	872110614	Bolt Rdhd 3/8-16uncx1-3/4 Gr5	156	532169672	Spacer Clutch Cable
36	532173438	Pulley Idler Flat 3 060	157	532169669	Rod Clutch Cable 3/8"
37	819131316	Washer 13/32 X 13/16 X 16	158	817720410	Screw Hex Thd Cut 1/4-20 x 5/8
40	873680600	Nut Crownlock 3/8-16 UNC	159	872140614	Bolt Rdhd Sqn 3/8-16 Unc x 1-3/4
44	532140088	Guard Mandrel LH Black	--	532130794	Mandrel Asm Service (Includes Key Nos. 8-10, 13-15, 31 and 33)
45	532124788	Spring Retainer 1" Zinc/cad	--	532176634	Deck Serv 42" HP S Bar Mult-Lang (Standard Deck - Order gauge wheel components separately Key Nos. 111-121)
46	532137729	Screw Hex Thd Cut 1/4-20x5/8 T			
48	532133944	Washer Hardened Smaller			
49	532174284	Roller Asm Cam Follower 42"dec			
50	532131340	Bolt Shldr 10-24 Zinc Gr 5 42"			
51	532069180	Nut Lock #10-24 Unc			
52	532139888	Bolt Shoulder 5/16-18 Unc Blkz			
53	532131845	Arm Asm Pad Brake			

**NOTE:** All component dimensions given in U.S. inches  
1 inch = 25.4 mm



# REPAIR PARTS

TRACTOR - MODEL NO. LTH1342 (LTH1342B), PRODUCT NO. 954 56 70-31  
MOWER LIFT



# REPAIR PARTS

TRACTOR - MODEL NO. LTH1342 (LTH1342B), PRODUCT NO. 954 56 70-31  
MOWER LIFT

KEY NO.	PART NO.	DESCRIPTION
1	532159460	Wire Asm Inner W/plunger LT
2	532159471	Shaft Asm Lift
3	532105767	Pin Groove
4	812000002	E Ring #5133-62
5	819211621	Washer PLTD 21/32 X 1 X 21 ga
6	532120183	Bearing Nylon Blk 629 Id
7	532109413	Grip Handle Bicycle
8	532124526	Button Plunger Black
11	532139865	Link Lift LH
12	532139866	Link Lift RH
13	532124670	Retainer Spring
15	532173288	Link Front
16	873350800	Nut Jam Hex 1/2-13 Unc
17	532130171	Trunnion Blk Zinc
18	873800800	Nut Lock W/Wsh 1/2-13 Unc
19	532139868	Arm Suspension Rear
20	532163552	Spring, Retainer
31	532169865	Bearing Pvt. Lift
32	873540600	Nut Crownlock 3/8-24

**NOTE:** All component dimensions given in U.S. inches  
1 inch = 25.4 mm