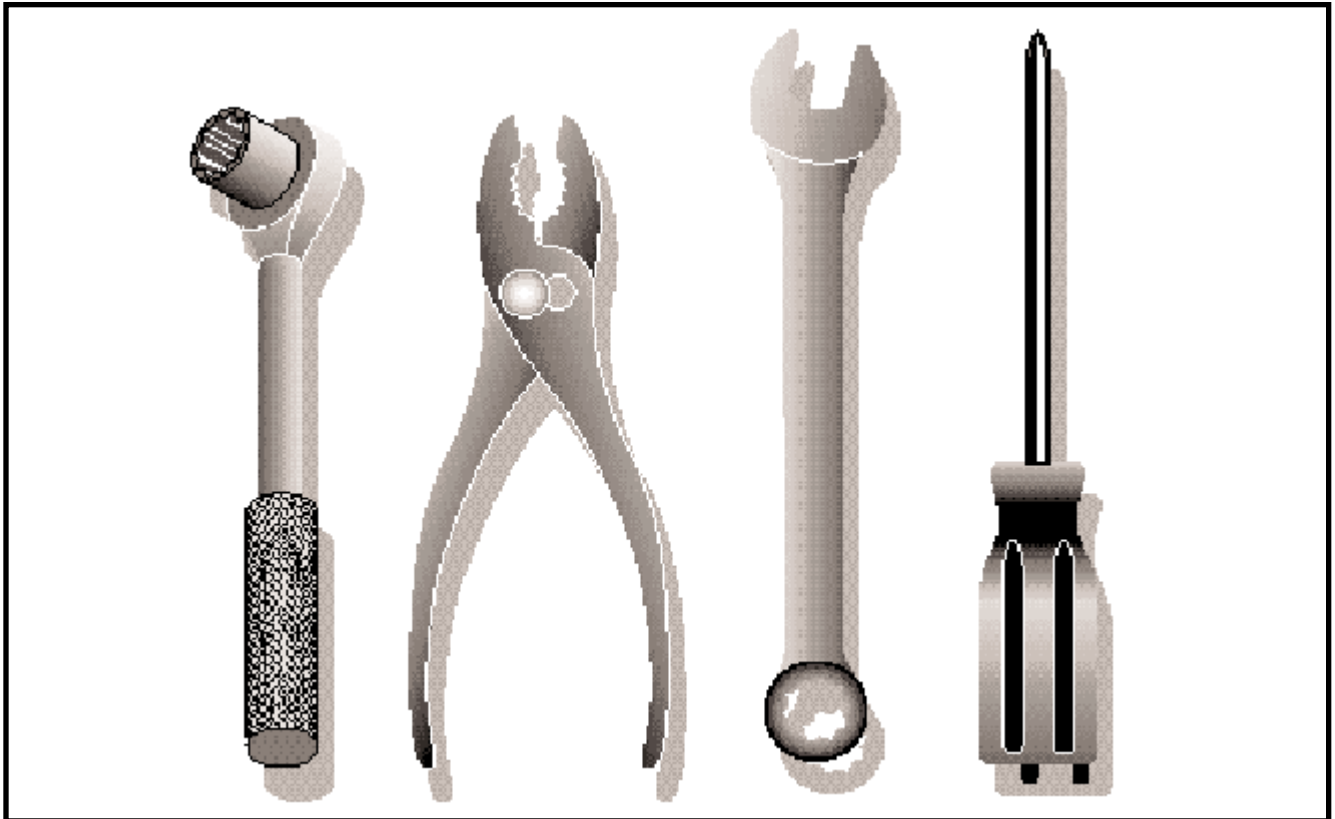


Illustrated Parts List	2001-04
	I0102021

YTH 1542 C

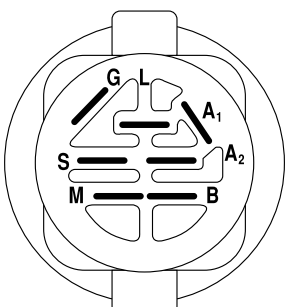
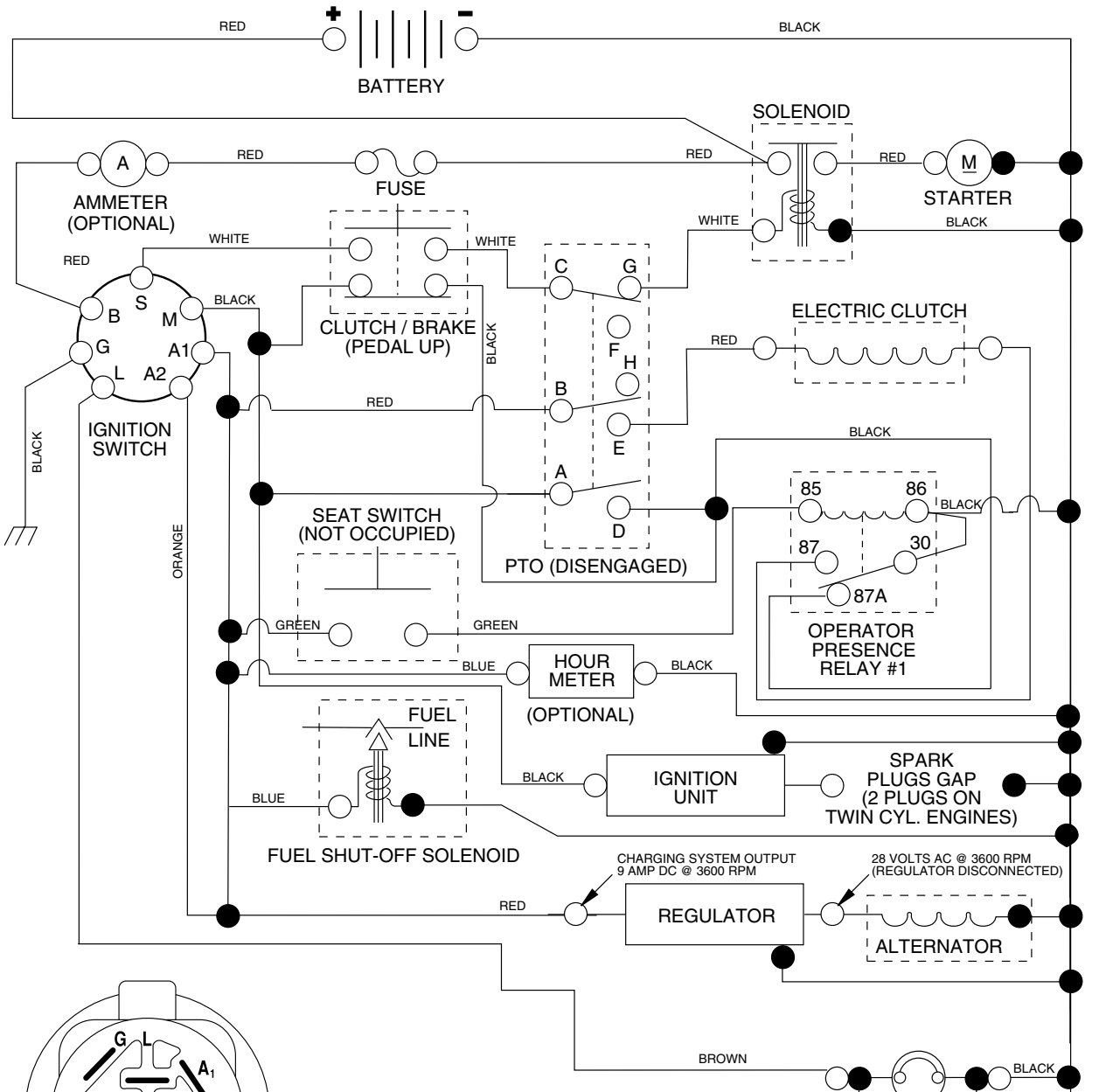
954567048



Repair Parts Manual

Ride Mower

TRACTOR - MODEL NO. YTH1542 (YTH1542C), PRODUCT NO. 954 56 70-48 SCHEMATIC



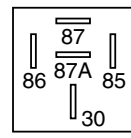
IGNITION SWITCH

POSITION	CIRCUIT	"MAKE"
OFF	M+G+A1	NONE
RUN/LIGHT	B+A1	A2+L
RUN	B+A1	NONE
START	B + S + A1	NONE

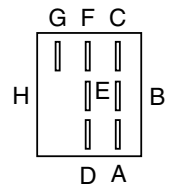
WIRING INSULATED CLIPS
NOTE: IF WIRING INSULATED CLIPS WERE REMOVED FOR SERVICING OF UNIT, THEY SHOULD BE REPLACED TO PROPERLY SECURE YOUR WIRING.

POSITION	CIRCUIT
OFF	C + G, B + H
ON	C + F, B + E, A + D

● NON-REMOVABLE CONNECTIONS
○ REMOVABLE CONNECTIONS

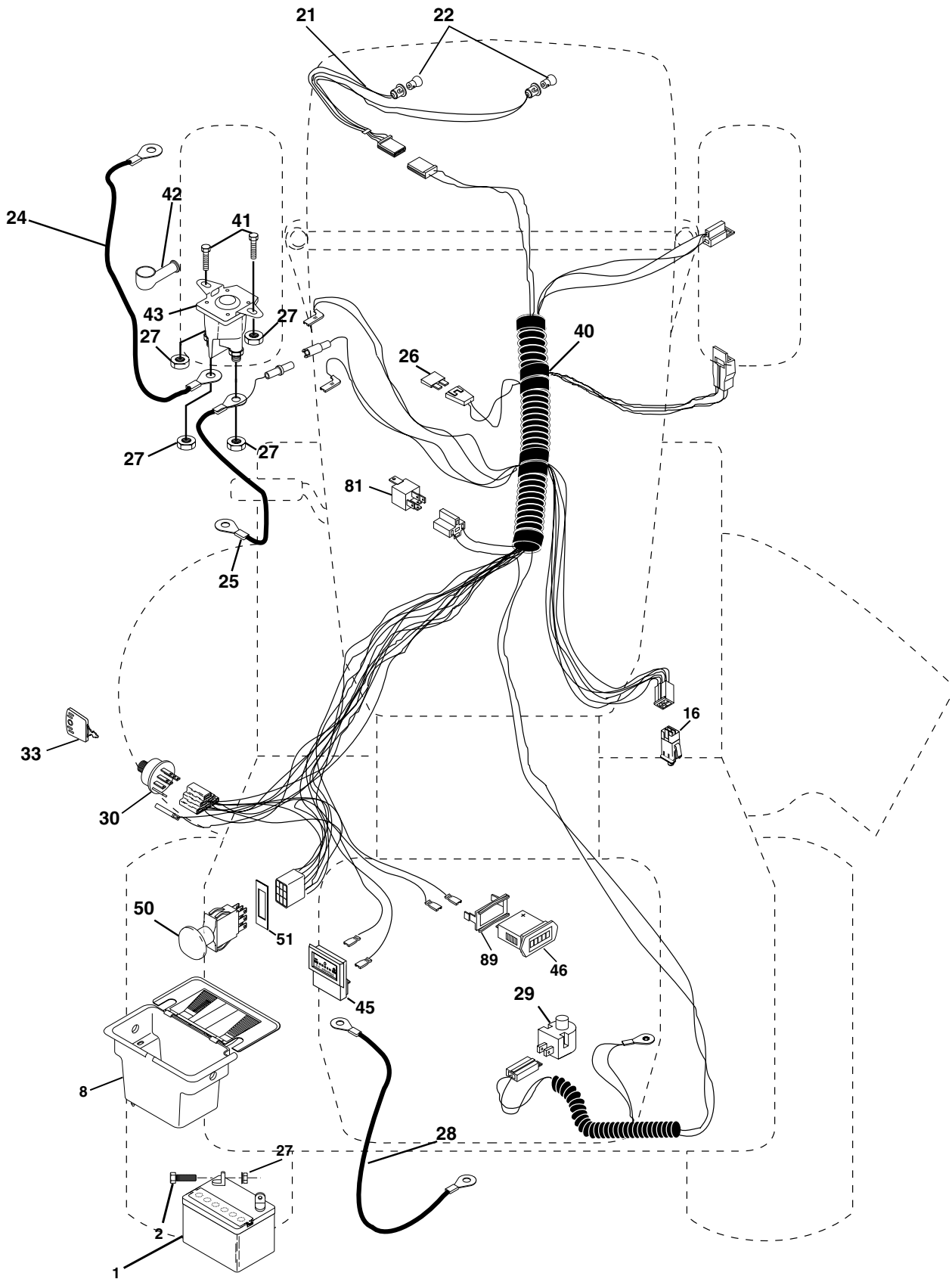


RELAY



REPAIR PARTS

TRACTOR - MODEL NO. YTH1542 (YTH1542C), PRODUCT NO. 954 56 70-48
ELECTRICAL



REPAIR PARTS

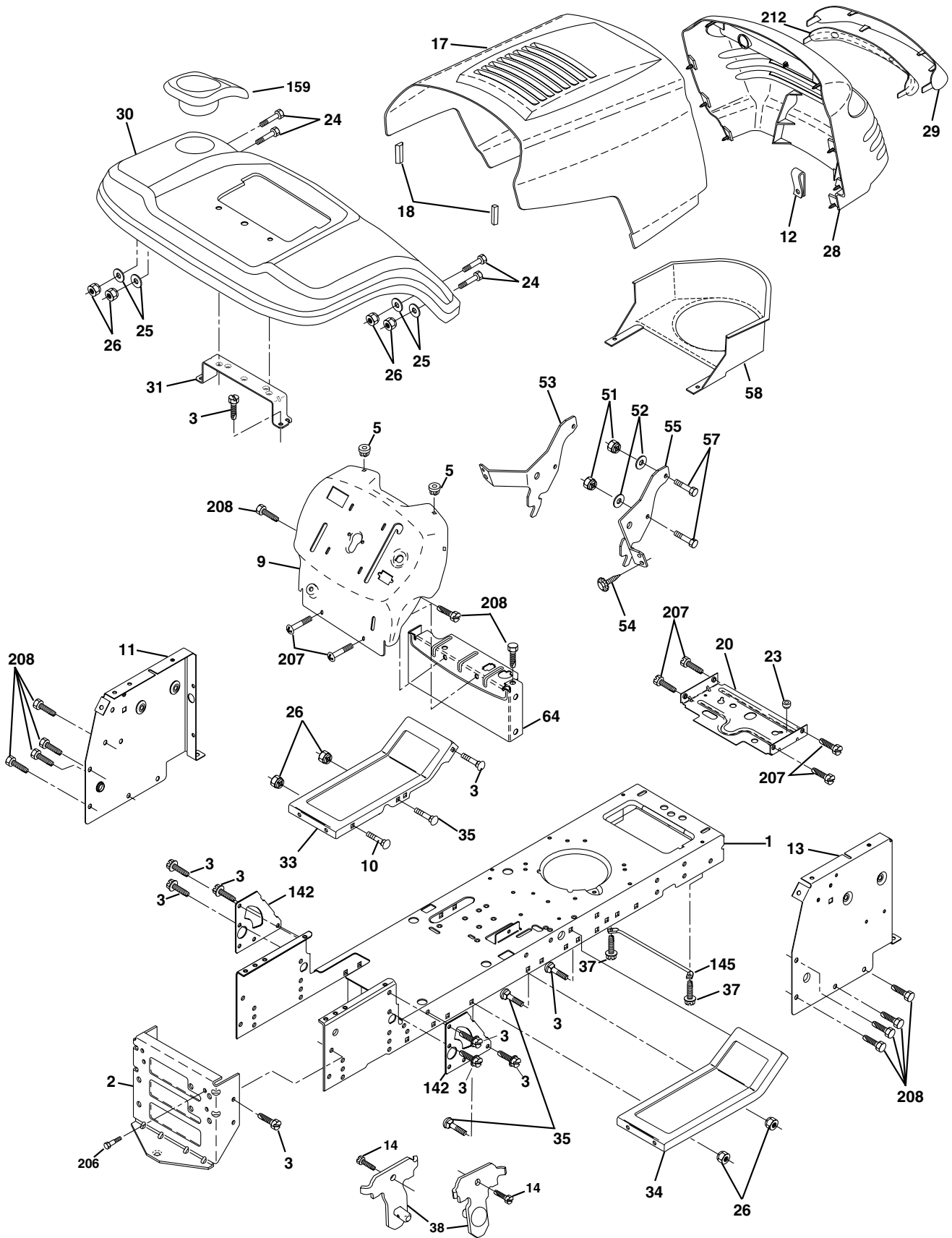
TRACTOR - MODEL NO. YTH1542 (YTH1542C), PRODUCT NO. 954 56 70-48
ELECTRICAL

KEY NO.	PART NO.	DESCRIPTION
1	532144925	Battery 12 Volt 25 AMP
2	874760412	Bolt Hex Hd 1/4-20unc X 3/4
8	532156417	Case Battery Mech Hinge
16	532153664	Switch Interlock Push-In
21	532166181	Harness Asm Light W/4152j
22	532004152	Bulb Light #1156
24	532124780	Cable Battery 6 Ga 11" red
25	532146147	Cable Battery 6 Ga 44" red w/16 wire
26	532175158	Fuse
27	873510400	Nut Keps Hex 1/4-20 Unc
28	532124773	Cable Ground 6 Ga 12" black
29	532160784	Switch Plunger Nc Gray
30	532175566	Switch Ign
33	532140401	Key Ign Generic
40	532170221	Harness Ign.
41	871110408	Bolt Blk Fin Hex 1/4 - 20 x 1/2
42	532131563	Cover Terminal Red
43	532175141	Solenoid
45	532122822	Ammeter Rectangular 15 Amp
46	532169635	Meter Hour
50	532174651	Switch PTO
51	532140405	Ring Retainer PTO
81	532109748	Relay Asm.
89	532169639	Bracket Snap-In Hourmeter

NOTE: All component dimensions given in U.S. inches.
1 inch = 25.4 mm.

REPAIR PARTS

TRACTOR - MODEL NO. YTH1542 (YTH1542C), PRODUCT NO. 954 56 70-48
CHASSIS AND ENCLOSURES



REPAIR PARTS

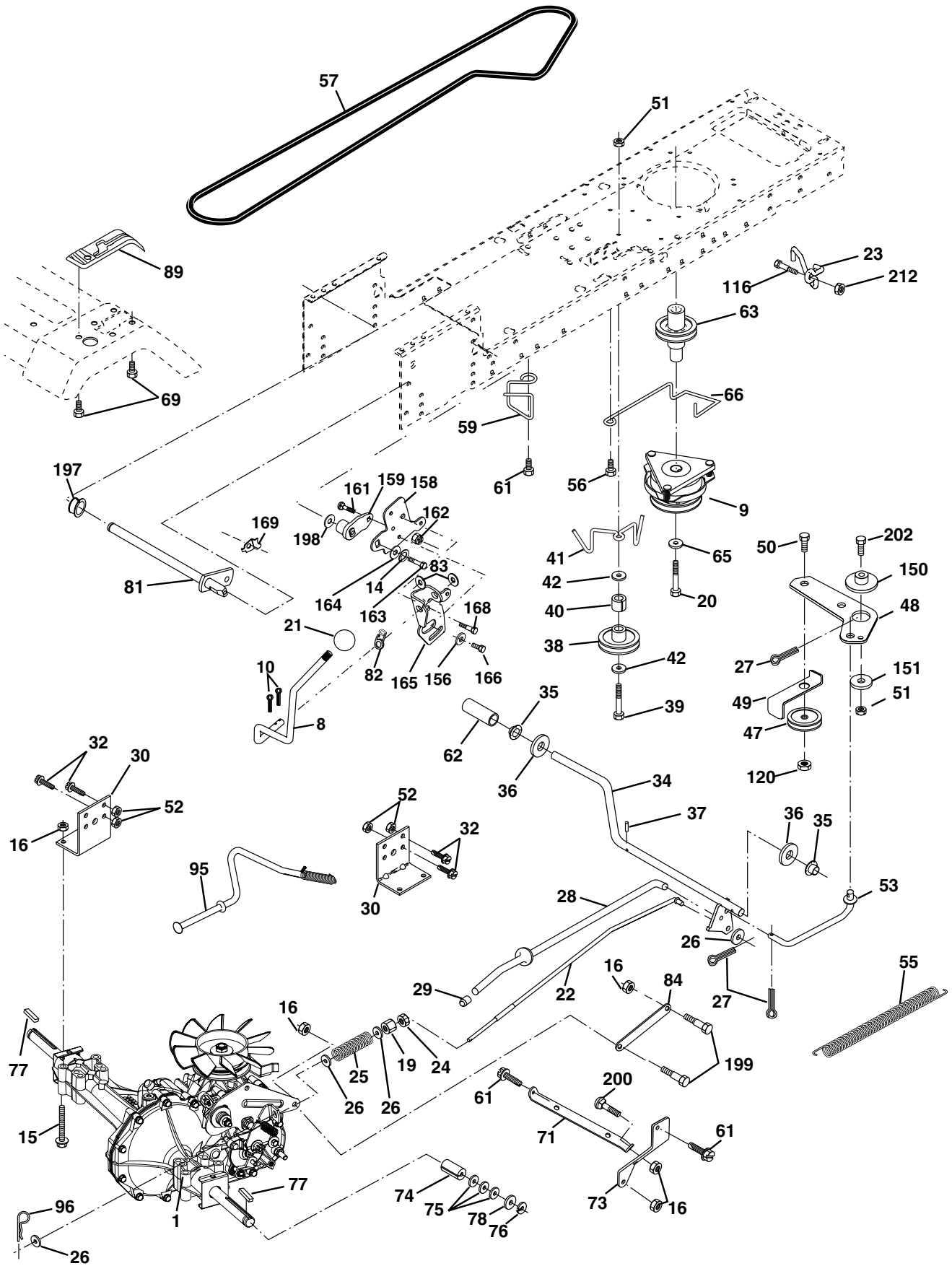
TRACTOR - MODEL NO. YTH1542 (YTH1542C), PRODUCT NO. 954 56 70-48 CHASSIS AND ENCLOSURES

KEY NO.	PART NO.	DESCRIPTION
1	532174619	Chassis stamping
2	532176554	Drawbar, 12 Ga.
3	817060612	Screw 3/8-16x3/4
5	532155272	Bumper Hood/Dash
9	532171682	Dash Slkscr
10	872140608	Bolt Carriage 3/8-16 x 1
11	532155927	Panel Dash Lh
12	532145660	Clip Tinnerman
13	532172106	Panel Dash Rh
14	817490608	Screw Thdrol 3/8-16 x 1/2
17	532162237	Hood LT/PL
18	532126938	Bumper Hood
20	532156437	Plate Mtg Battery Fuel Tank Fr
23	532124028	Bushing
24	874780616	Bolt Fin Hex 3/8-16 Unc x 1 Gr. 5
25	819131312	Washer 13/32 X 13/16 X 12 Ga
26	873800600	Nut Lock Hex w/Ins. 3/8-16 Unc
28	532170475	Grille/Lens Asm
29	532176645	Lens
30	532169470	Fender
31	532136619	Bracket Fender
33	532147203	Footrest Pnt Lh
34	532147202	Footrest Pnt Rh
35	872110606	Bolt Rdhd Sht Sqnk 3/8-16 x 3/4
37	817490508	Screw Thdrol 6/16-18 x 1/2 TYT
38	532169834	Bracket Asm Pivot Mower Rear
51	873800400	Nut Lock w/Insert 1/4-20 Unc
52	819091416	Washer 9/32 x 7/8 x 16 Ga.
53	532144697	Bracket Grille Lh
54	532161464	Screw Hex Wsh 8-18 x 7/8
55	532144696	Bracket Grille Rh
57	874780412	Bolt Hex 1/4-20 x 3/4
58	532150127	Air Duct Engine P/L
64	532154798	Dash Lower STLT
142	532165867	Plate Reinforcement STLT
145	532156524	Rod Pivot Chassis/Hood
159	532177088	Cupholder Stlt Grey
206	532170165	Bolt Shoulder 5/16-18 TT
207	817670508	Screw Thdrol 5/16-18 x 1/2
208	817670608	Screw Thdrol 3/8-16 x 1/2
212	532156229	Insert Lens Reflective

NOTE: All component dimensions given in U.S. inches
1 inch = 25.4 mm

REPAIR PARTS

TRACTOR - MODEL NO. YTH1542 (YTH1542C), PRODUCT NO. 954 56 70-48
DRIVE



REPAIR PARTS

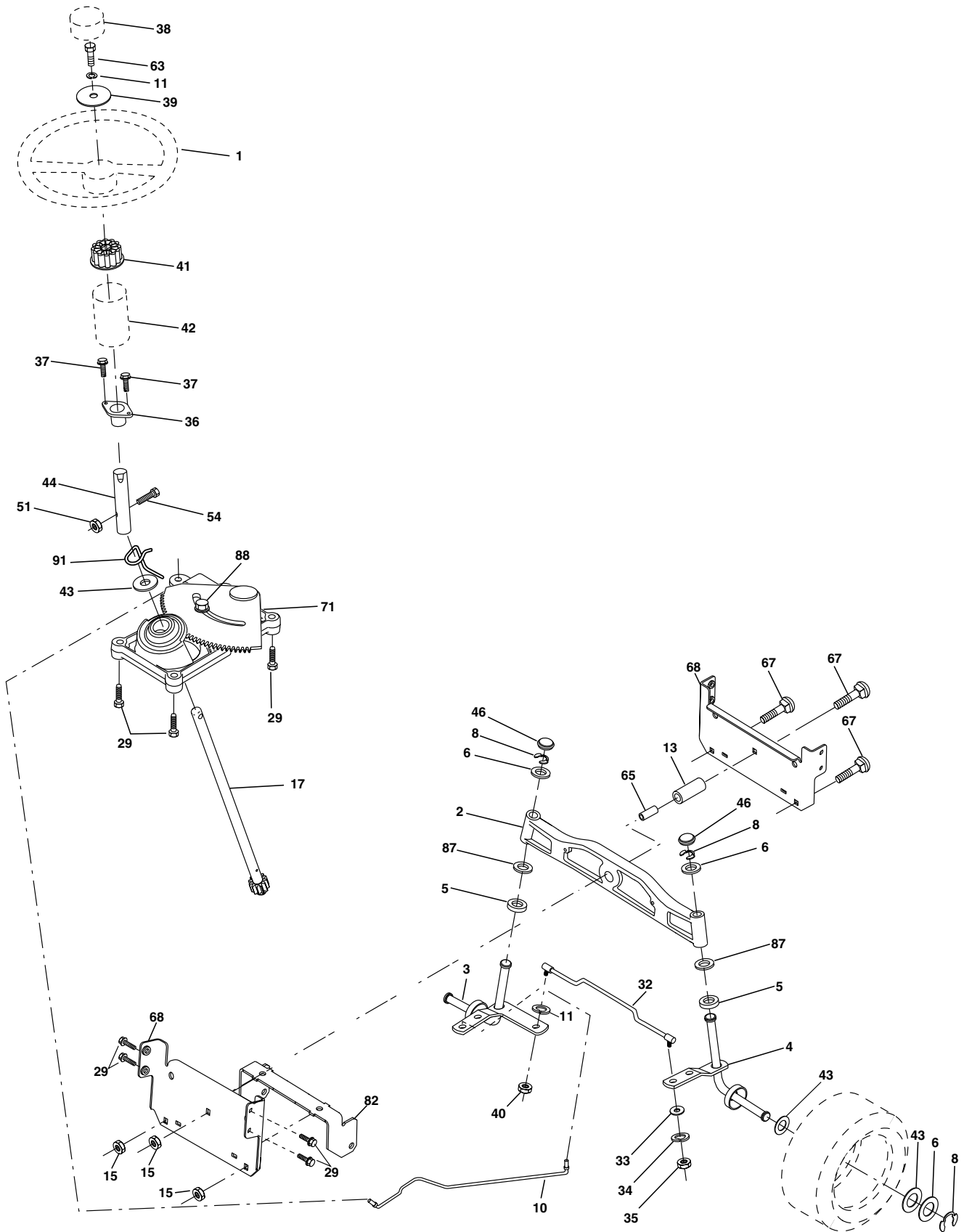
TRACTOR - MODEL NO. YTH1542 (YTH1542C), PRODUCT NO. 954 56 70-48
DRIVE

KEY PART NO. NO.	DESCRIPTION	KEY PART NO. NO.	DESCRIPTION
1	----- Transaxle Hydro Gr. 314-0510 (Order parts from transaxle mfg.)	62	532124872 Cover, Pedal
8	532165619 Rod Shift Fender Adjust LT	63	532175417 Pulley, Engine
9	532137140 Clutch Electric	65	810040700 Washer Lock Hvy HLCL Spr 7/16
10	876020416 Pin Cotter 1/8 x 1 CAD	66	532154778 Keeper Belt Engine
14	810040400 Washer Lock Hvy Helical	69	532142432 Screw Hex Wsh Hi-Lo 1/4-1/2 Unc
15	874490544 Bolt Hex 5/16-18 Gr. 5	71	532169183 Strap Torque Lh
16	873800500 Nut Lock Hex W/Ins. 5/16-18 Unc P	73	532169182 Strap Torque Rh
17	532126197 Washer	74	532137057 Spacer, Axle
19	873800600 Nut Lock Hex W/Ins 3/8-16 Unc	75	532121749 Washer 25/32 x 1-1/4 x 16 Ga.
20	532150280 Bolt, Hex 7/16-20 x 4-1/4 Ga. 5	76	812000001 E-Ring
21	532140845 Knob Deluxe 1/2-13 UNC BLK/BLK	77	532123583 Key, Square
22	532169498 Rod, Brake Hydro	78	532121748 Washer 25/32 x 1-5/8 x 16 Ga
23	532178289 Bracket Anti-Rot	81	532165596 Shaft Asm Cross Tapered
24	873350600 Nut Hex Jam 3/8-16 UNC	82	532123782 Spring Torsion
25	532106888 Spring, Brake Rod	83	819171216 Washer 17/32 x 3/4 x 16 Ga.
26	819131316 Washer	84	532169594 Link Transaxle
27	876020412 Pin Cotter 1/8 x 3/4 CAD.	89	532176940 Console, Hydro
28	532175765 Rod, Parking Brake	95	532170201 Control Asm. Bypass Hydro
29	532071673 Cap, Parking Brake	96	532124788 Retainer Spring 1" Zinc/Cad
30	532169592 Bracket, Transaxle	116	872140608 Bolt 3/8-16 x 1
32	874760512 Bolt Hex Hd 5/16-18 Unc x 3/4	120	873900600 Nut Lock Flg. 3/8-16
34	532175578 Shaft, Foot Pedal	150	532175456 Bushing Bellcrank Grd Drive
35	532120183 Bearing, Nylon	151	819133210 Washer 13/32 x 2 x 10 Ga.
36	819211616 Washer	156	532166002 Washer Srrted 5/16 ID X 1 X .125
37	532124963 Pin, Roll	158	532165589 Bracket Shift Mount
38	532165936 Pulley, Idler, Flat	159	532165494 Hub Tapered Flange Shift LT
39	874760648 Bolt	161	872140406 Bolt Rdhd Sqnk 1/4-20 x 3/4 Gr. 5
40	532175461 Spacer Split	162	873680400 Nut Crownlock 1/4-20 Unc
41	532175556 Keeper, Belt Idler	163	874780416 Bolt Hex Fin 1/4-20 Unc x 1 Gr. 5
42	819131312 Washer 13/32 x 13/16 x 12 Ga	164	819091010 Washer 5/8 x .281 x 10 Ga.
47	532127783 Pulley, Idler, V-Groove Plastic	165	532165623 Bracket Pivot Lever
48	532154407 Bellcrank Clutch Grnd Drv Stl	166	532166880 Screw 5/16-18 x 5/8
49	532123205 Retainer, Belt Style Spring	168	532165492 Bolt Shoulder 5/16-18 x .561
50	874760624 Bolt Hex Hd 3/8-16 Unc x 1-1/2	169	532165580 Plate Fastening LT
51	873680600 Nut	197	532169613 Nyliner Snap-In 5/8" ID
52	873680500 Nut Crown Lock 5/16-18	198	532169593 Washer Nyl 7/8ID x .105 Hyd
53	532105710 Link, Clutch	199	532169612 Bolt Shoulder 5/16-18 Unc
55	532105709 Spring, Return, Clutch	200	872140508 Bolt Rdhd Sqnk 5/16-18 Unc x 1
56	817060616 Screw 3/8-16 x 1.0	202	872110612 Bolt
57	532140294 V-Belt, Ground Drive	212	532145212 Nut 3/8-16
59	532169691 Keeper, Center Span		
61	817060612 Screw 3/8-16 x 3/4		

NOTE: All component dimensions given in U.S. inches
1 inch = 25.4 mm

REPAIR PARTS

TRACTOR - MODEL NO. YTH1542 (YTH1542C), PRODUCT NO. 954 56 70-48
STEERING ASSEMBLY



REPAIR PARTS

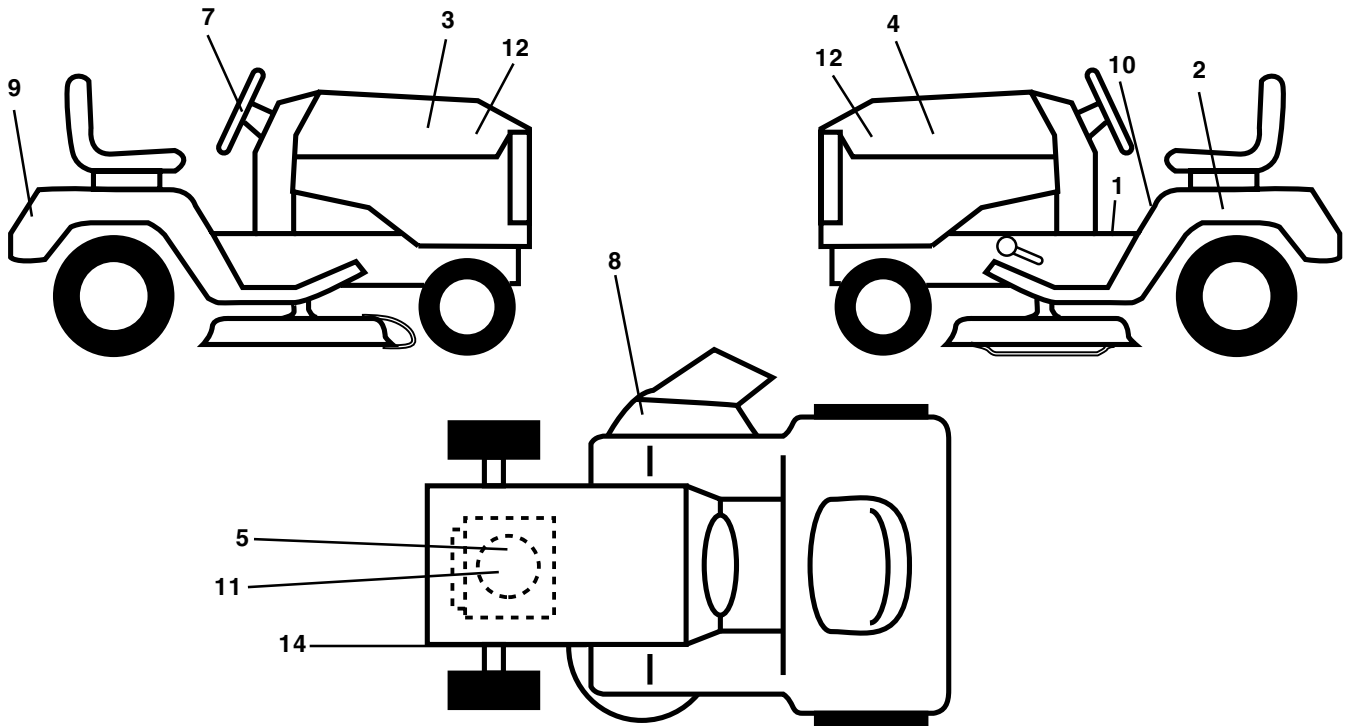
TRACTOR - MODEL NO. YTH1542 (YTH1542C), PRODUCT NO. 954 56 70-48 STEERING ASSEMBLY

KEY NO.	PART NO.	DESCRIPTION
1	532166627	Wheel Steering
2	532172393	Axle Cast LT Machined
3	532169840	Spindle Asm Cast LH
4	532169839	Spindle Asm Cast RH
5	532124931	Bearing Race Thrust Harden
6	532121748	Washer 25/32 X 1-5/8 X 16 Ga
8	812000029	Ring Klip #t5304-75
10	532175121	Link Drag
11	810040600	Washer Lock Hvy Hlcl Spr 3/8
13	532136518	Spacer Brg Axle Front
15	532145212	Nut Hex Flange Lock Yel D
17	532177876	Shaft Asm Steering
29	817060612	Screw 3/8-16x3/4
32	532171888	Rod Tie
33	819111216	Washer 11/32 x 3/4 x 16 Ga.
34	810040500	Washer Lock Hvy. Helical 5/16 SD
35	873540600	Nut Crown Lock 5/16-24
36	532155099	Bushing Strg
37	532152927	Screw TT #32.5 x 5 x 3/8 Flange
38	532166626	Cap Wheel Steer
39	819132411	Washer 13/32 x 1-1/20 x 11 Ga.
40	532124701	Nut Lock Center 3/8-24 Unf
41	532159945	Adaptor Wheel Strg
42	532169634	Boot Dash Steering
43	532121749	Washer 25/32 X 1 1/4 X 16 Ga
44	532153720	Extension Steering Non-adjust
46	532121232	Cap Spindle Fr Top Blk
51	873800500	Nut Lock Hex W/Ins 5/16-18 UNC
54	874780520	Bolt Fin Hex 5/16-18 UNC x 1-1/4
63	874780616	Bolt Fin Hex 3/8-16 UNC x 1 Gr. 5
65	532160367	Spacer, Brace Axle
67	872140618	Bolt Rdhd 3/8-16 x 2-1/4
68	532169827	Brace, Axle
71	532175146	Steering Asm.
82	532169835	Bracket Susp Chassis Front 15"
87	532173966	Washer Flat .781 x 1-1/2 x .14
88	532175118	Bolt Shoulder 7/16-20
91	532175553	Clip, Steering

NOTE: All component dimensions given in U.S. inches.
1 inch = 25.4 mm.

REPAIR PARTS

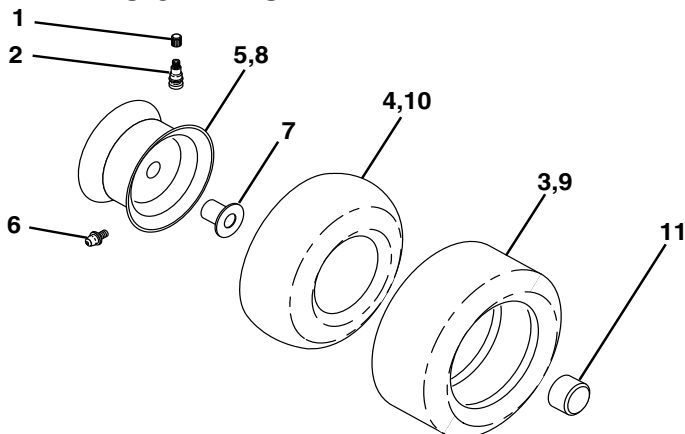
TRACTOR - MODEL NO. YTH1542 (YTH1542C), PRODUCT NO. 954 56 70-48
DECALS



KEY NO.	PART NO.	DESCRIPTION
1	532157032	Decal Oper. Step Thru E/F
2	532145005	Decal Battery
3	532176784	Decal Hood RH
4	532176785	Decal Hood LH
5	532176779	Decal HP Engine
7	532170564	Decal Wheel Steering
8	532170563	Decal Warning
9	532176822	Decal Fender Husq

KEY NO.	PART NO.	DESCRIPTION
10	532157140	Decal Fender Danger E/F
11	532176775	Decal Engine
12	532176776	Decal Hood Logo
14	532160396	Decal V-Belt Schematic
--	532133671	Pad Footrest
--	532138311	Decal Handle Lft Height Adjust
--	532169210	Decal By Pass Lt Hydro
--	532179383	Manual Owner's (English)
--	532179384	Manual Owner's (French)

WHEELS & TIRES

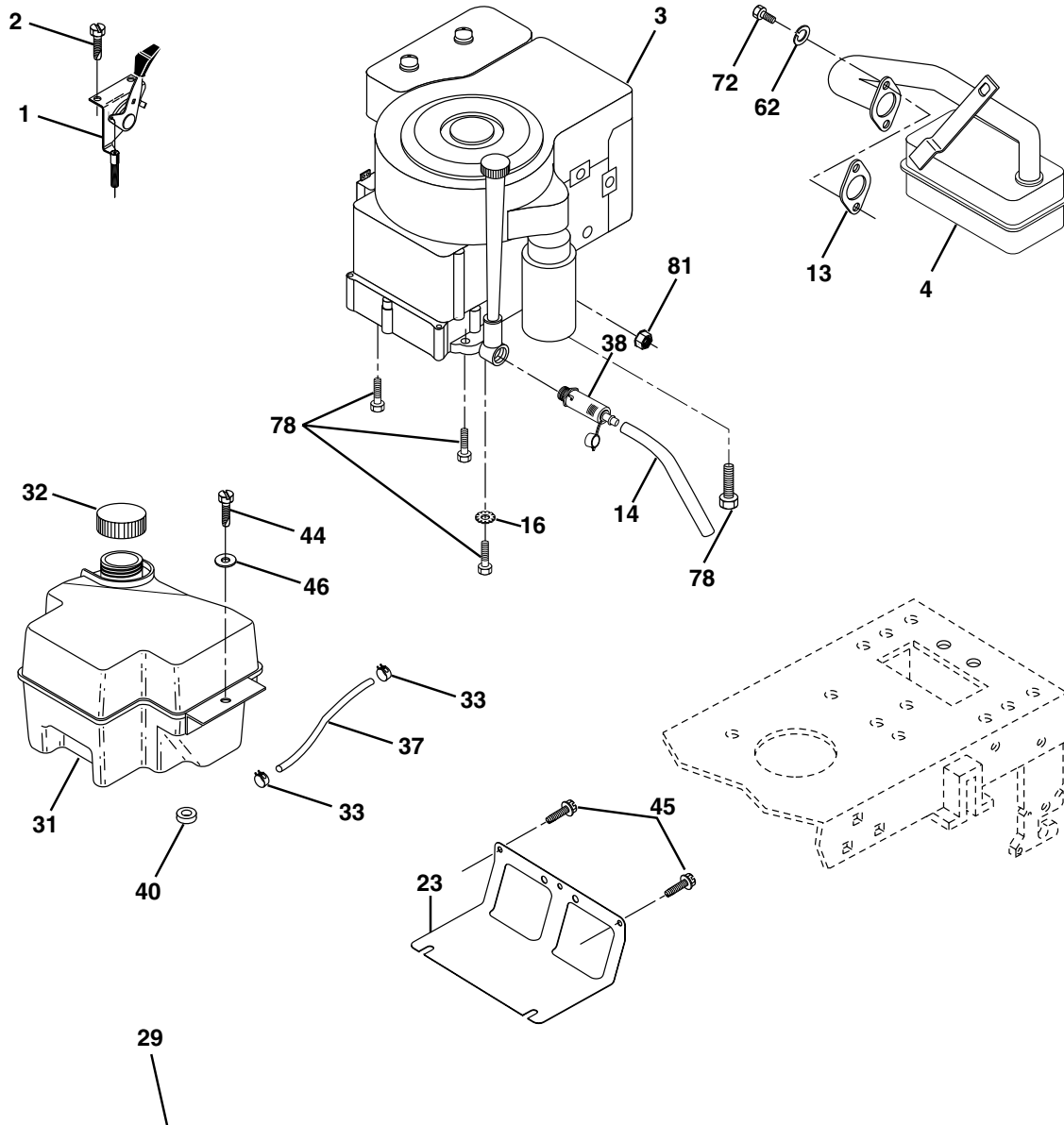


KEY NO.	PART NO.	DESCRIPTION
1	532059192	Cap Valve Tire
2	532065139	Stem Valve
3	532106222	Tire F Ts 15 X 6 0 - 6 Service
4	532059904	Tube Front (Service Item Only)
5	532138336	Rim Asm 6"front Silver Service
6	532124957	Fitting Grease (Front Wheel Only)
7	532124959	Bearing Flange (Front Wheel Only)
8	532138337	Rim Asm 8"rear Silver Service
9	532122082	Tire R Ts 20x10-8 C Service
10	532124926	Tube Rear (Service Item Only)
11	532175039	Cap Axle Blk 1 50 X 1 00
--	532144334	Sealant, Tire (10 oz. Tube)

NOTE: All component dimensions given in U.S. inches
1 inch = 25.4 mm

REPAIR PARTS

TRACTOR - MODEL NO. YTH1542 (YTH1542C), PRODUCT NO. 954 56 70-48
ENGINE



OPTIONAL EQUIPMENT
Spark Arrester

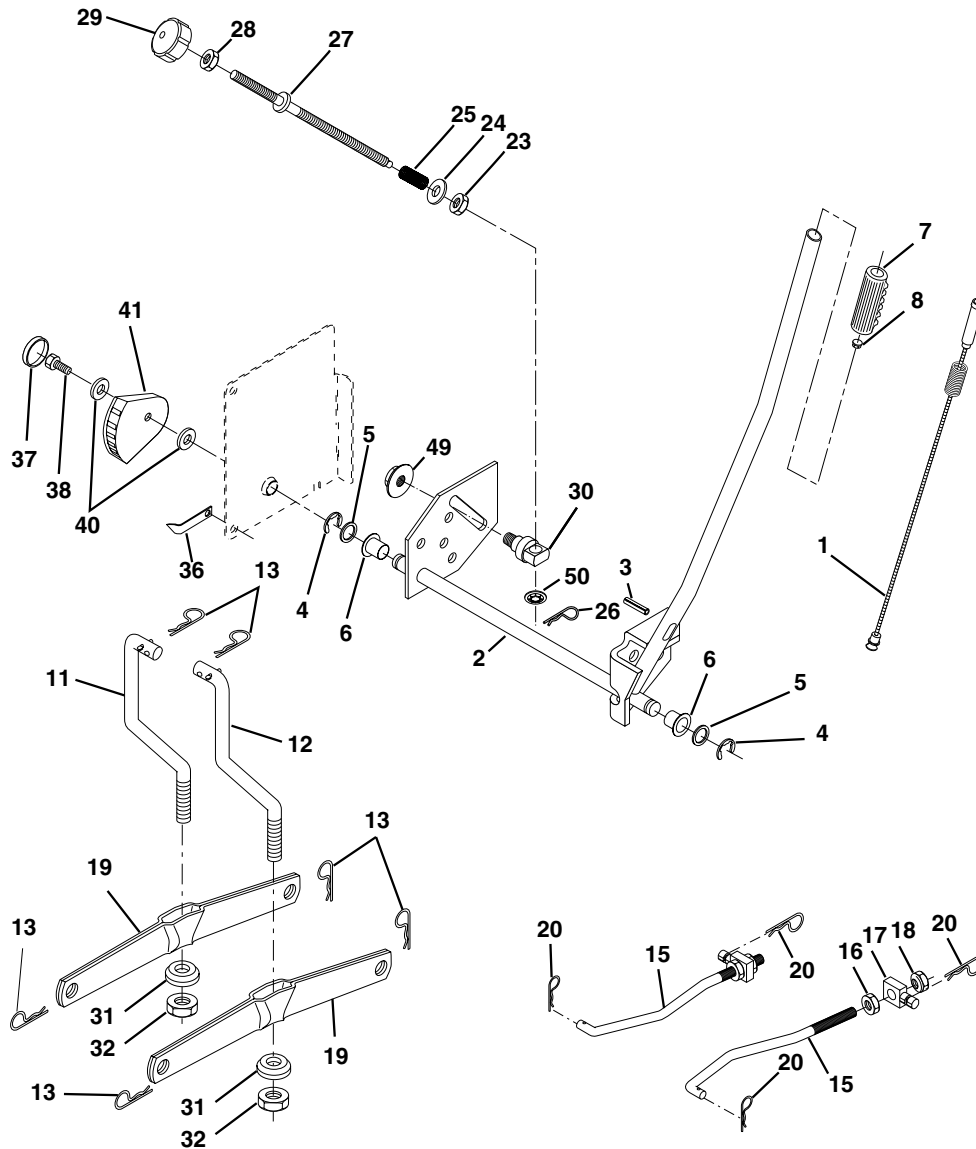
KEY NO.	PART NO.	DESCRIPTION
1	532170551	Control Th/ch Flag Dom.
2	817720410	Screw Hex Thd Ext Cut 1/4-20x5/8 T
3	-----	Engine B&S Model 311777 (Order parts from engine manufacturer)
4	532137352	Muffler
13	532165291	Gasket
14	532148456	Tube Drain Oil Easy
16	811050600	Washer Lock Ext Tooth 3/8
23	532169837	Shield BRN/DBR Guard
29	532137180	Kit Spark Arrester (Flat Scrm)
31	532174642	Tank Fuel
32	532140527	Cap Asm Fuel W/sym Vented

KEY NO.	PART NO.	DESCRIPTION
33	532123487	Clamp Hose Black
37	532137040	Line Fuel
38	532148315	Plug Drain Oil Easy
40	532124028	Bushing Snap Nyl Black Fuel Line
44	817670412	Screw Hex Wsh Thdrol 1/4-20 x 3/4
45	817000612	Screw Hex Wsh Thdrol 3/8-16 x 3/4
46	819091416	Washer 9/32 x 7/8 x 16 Ga.
62	810040500	Washer Lock Hvy Hlcl Spr. 5/16
72	871070512	Screw Hex Hd Cap 5/16-18 x 3/4
78	817060620	Screw 3/8-16 x 1-1/4
81	873510400	Nut Keps Hex 1/4-20 Unc

NOTE: All component dimensions given in U.S. inches
1 inch = 25.4 mm

REPAIR PARTS

TRACTOR - MODEL NO. YTH1542 (YTH1542C), PRODUCT NO. 954 56 70-48 MOWER LIFT



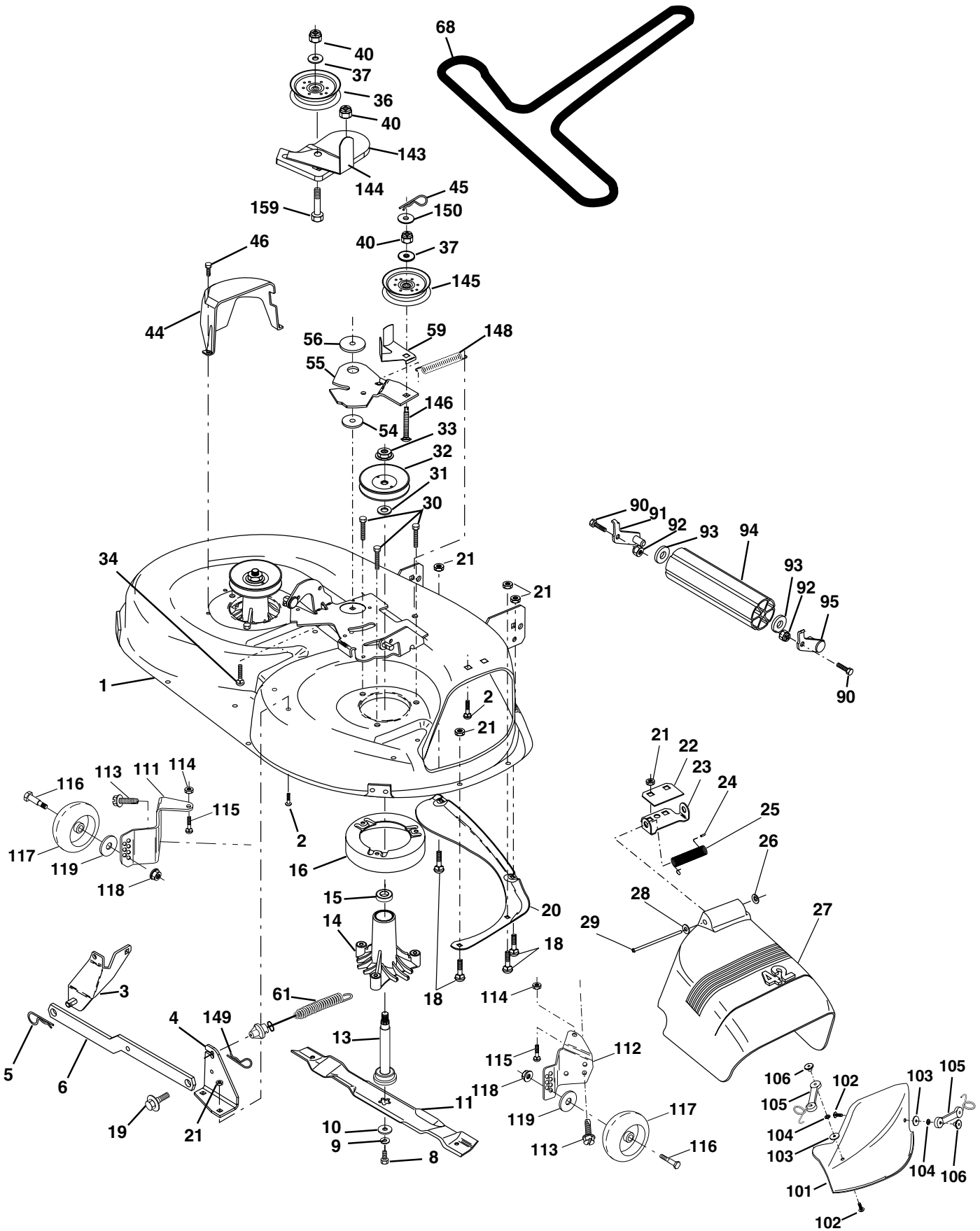
KEY NO.	PART NO.	DESCRIPTION
1	532159460	Wire Asm Inner W/plunger
2	532159471	Shaft Asm Lift RH w/Inf
3	532105767	Pin Groove 1 500 Zinc
4	812000002	E Ring #5133-62
5	819211621	Washer 21/32 X 1 X 21 Ga
6	532120183	Bearing Nylon Blk 629 Id
7	532125631	Grip Handle Fluted Blk
8	532124526	Button Plunger Black
11	532139865	Link Lift LH Fixed Length
12	532139866	Link Lift RH Fixed Length
13	532124670	Retainer Spring
15	532173288	Link Front
16	873350800	Nut Jam Hex 1/2-13 Unc
17	532130171	Trunnion Blk Zinc
18	873800800	Nut Lock w/Wsh 1/2-13unc
19	532139868	Arm Suspension Rear
20	532163552	Retainer Spring
23	532110807	Nut Special

KEY NO.	PART NO.	DESCRIPTION
24	819131016	Washer 13/32 X 5/8 X 16 Ga
25	532124874	Spring 2-1/8"
26	532169484	Retainer Clip
27	532126971	Rod Adj Lift Zinc 7.49 Wrk Lg
28	873350600	Nut Hex Jam 3/8-16 Unc
29	532138057	Knob Inf 3/8-16 Unc Blk W/sym
30	532150233	Trunnion Infin Height
31	532169865	Bearing Pvt Lift
32	873540600	Nut Crownlock 3/8 - 24
36	532155097	Pointer Height Indicator
37	532123935	Plug Hole Blk 1.485/1.515 Dia.
38	817060516	Screw 5/16-18 x 1
40	819112410	Washer 11/32 x 1-1/2 10 Ga.
41	532155098	Indicator Height STL T
49	532145212	Nut Hex Flange Lock
50	532110452	Nut Phos & Oil

NOTE: All component dimensions given in U.S. inches
1 inch = 25.4 mm

REPAIR PARTS

TRACTOR - MODEL NO. YTH1542 (YTH1542C), PRODUCT NO. 954 56 70-48
MOWER DECK



REPAIR PARTS

TRACTOR - MODEL NO. YTH1542 (YTH1542C), PRODUCT NO. 954 56 70-48 MOWER DECK

KEY NO.	PART NO.	DESCRIPTION	KEY NO.	PART NO.	DESCRIPTION
1	532176922	Mower Deck Assembly, 42"	56	532122052	Spacer, Retainer
2	872140506	Bolt	59	532173442	Guard, TUV Idler
3	532138017	Bracket Assembly, Sway Bar, Front	61	532174882	Spring Ext Elect Clutch 42" Dck
4	532176935	Bracket Sway Bar 38/42" Deck	68	532174883	V-Belt
5	532124670	Retainer Spring	90	874760616	Bolt Fin Hex 3/8-16 Unc x 1
6	532130832	Arm, Suspension, Rear	91	532132274	Bracket Asm Noseroller Lh
8	532850857	Bolt, Hex 3/8-24 x 1.25 Gr. 8	92	873800600	Nut Lock Hex w/Ins. 3/8-16 Unc
9	810030600	Washer, Lock	93	819171416	Washer 17/32 x 7/8 x 16 Ga.
10	532140296	Washer, Hardened	94	532132264	Roller Nose 38"-50"
11	532138498	Blade Mower 42" High Perf.	95	532132273	Bracket Asm Noseroller Rh
	532134149	Blade, Mulching	101	532136420	Mulcher Cover
13	532137645	Shaft Assembly, Mandrel, Vented	102	871081010	Screw
14	532128774	Housing, Mandrel, Vented	103	819061216	Washer #10
15	532110485	Bearing, Ball, Mandrel	104	810071000	Washer, Lock
16	532174493	Stripper	105	532160793	Latch Assembly, Bagger
18	872140505	Bolt, Carriage 5/16-18 x 5/8	106	532125004	Nut, Weld
19	532132827	Bolt, Shoulder	111	532176933	Bracket, Gauge, Wheel L.H.
20	532159770	Baffle, Vortex	112	532176934	Bracket, Gauge, Wheel R.H.
21	873680500	Nut Crownlock 5/16-18 UNC	113	817060514	Screw Tapping 5/16-18 Unc
22	532176929	Stiffener Bracket	114	873510500	Nut, Hex, Keps 5/16-18 UNC
23	532176927	Bracket, Deflector	115	872110504	Bolt, Carriage 5/16 UNC x 1/2
24	532105304	Cap, Sleeve	116	532137644	Bolt, Shoulder
25	532123713	Spring, Torsion, Deflector	117	532165746	Wheel, Gauge
26	532110452	Nut, Push	118	873930600	Nut, Centerlock 3/8-16
27	532171634	Shield, Deflector	119	819121414	Washer 3/8 x 7/8 x 14 Gauge
28	819111016	Washer 11/32 x 5/8 x 16 Ga.	121	532173986	Bracket
29	532131491	Rod, Hinge	143	532176931	Bracket Arm Idler 42"
30	532157722	Screw Thdrol Washer Head	144	532173441	Keeper Belt 42" Clutch Cable
31	532129963	Washer, Spacer	145	532173437	Pulley Idler Flat
32	532173436	Pulley, Mandrel	146	532171977	Bolt Carriage Idler
33	532137266	Nut, Toplock, Flanged	148	532169022	Spring Return Idler
34	872110614	Bolt	149	532165898	Retainer Spring Yellow Zinc
35	532133835	Fastner, Christmas Tree	150	819091216	Washer 9/32 x 3/4 x 16 Ga.
36	532173438	Pulley, Idler, Flat	159	872140614	Bolt Rdhd Sqn 3/8-16 UNC x 1- 3/4
37	819131316	Washer 13/32 x 13/16 x 16 Gauge	--	532130794	Mandrel Assembly (Includes Key Numbers 8-10, 13-15, 31 and 32)
40	873680600	Nut Crownlock 3/8-16 UNC	--	532176789	Replacement Mower, Complete
44	532140088	Guard, Mandrel, L.H.			
45	532124788	Retainer			
46	532137729	Screw, Thd. Roll 1/4-20 x 5/8			
54	532133943	Washer, Hardened			
55	532176932	Arm, Idler			

NOTE: All component dimensions given in U.S. inches
1 inch = 25.4 mm