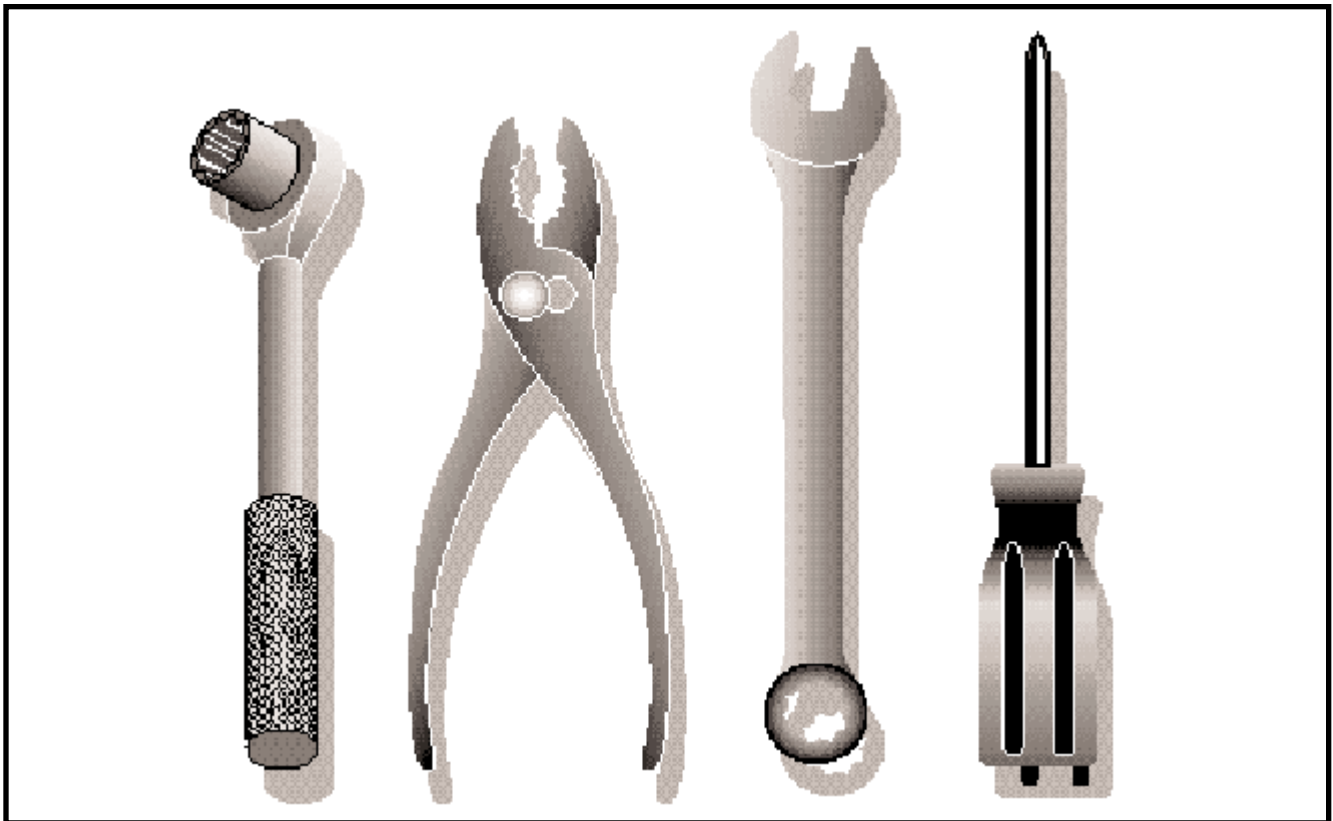


GTH 2250 C

954567093

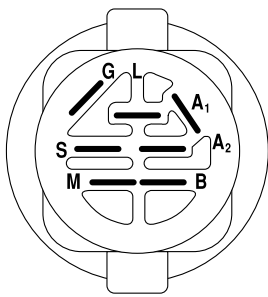
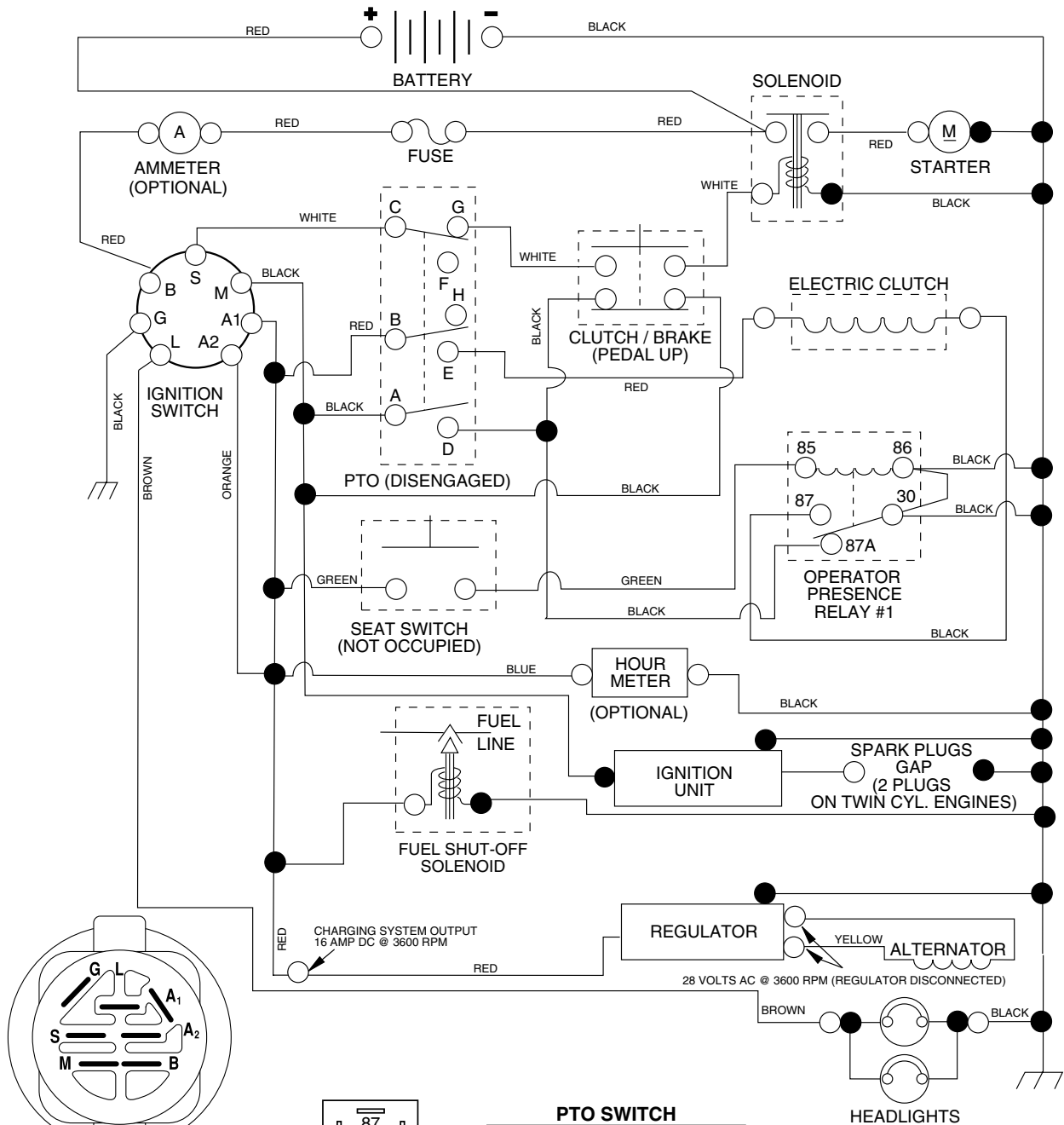


Repair Parts Manual

Ride Mower

TRACTOR - - MODEL NO. GTH2250C

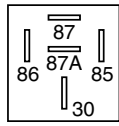
SCHEMATIC



IGNITION SWITCH

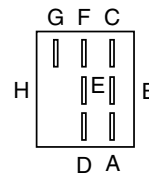
POSITION	CIRCUIT	"MAKE"
OFF	M + G + A1	NONE
ON + LIGHTS	B + A1	L + A2
ON	B + A1	NONE
START	B + S + A1	NONE

WIRING INSULATED CLIPS
NOTE: IF WIRING INSULATED CLIPS WERE REMOVED FOR SERVICING OF UNIT, THEY SHOULD BE REPLACED TO PROPERLY SECURE YOUR WIRING.



RELAY

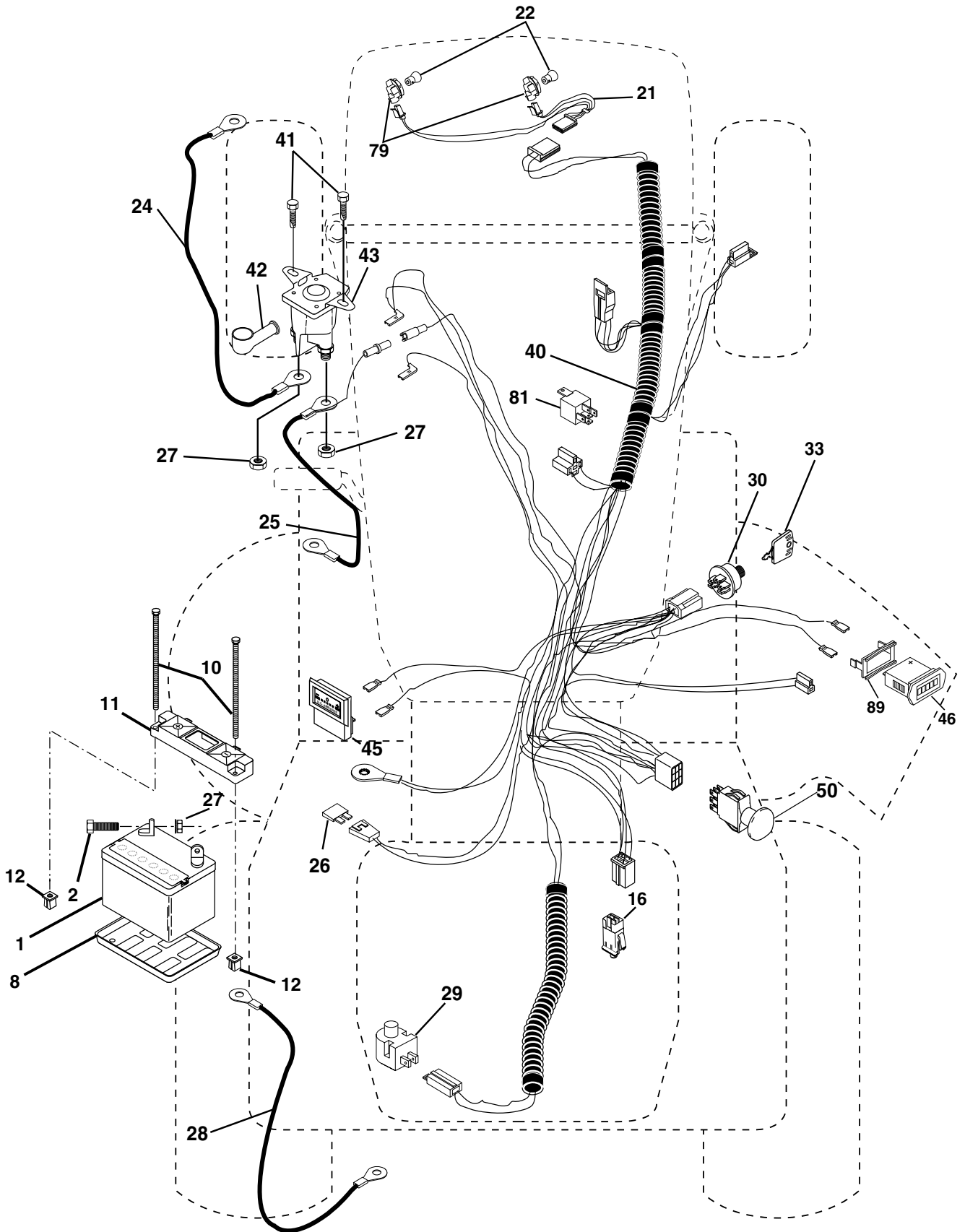
PTO SWITCH	
POSITION	CIRCUIT
OFF	C + G, B + H
ON	C + F, B + E, A + D



REPAIR PARTS

TRACTOR - - MODEL NO. GTH2250C

ELECTRICAL



REPAIR PARTS

TRACTOR - - MODEL NO. GTH2250C

ELECTRICAL

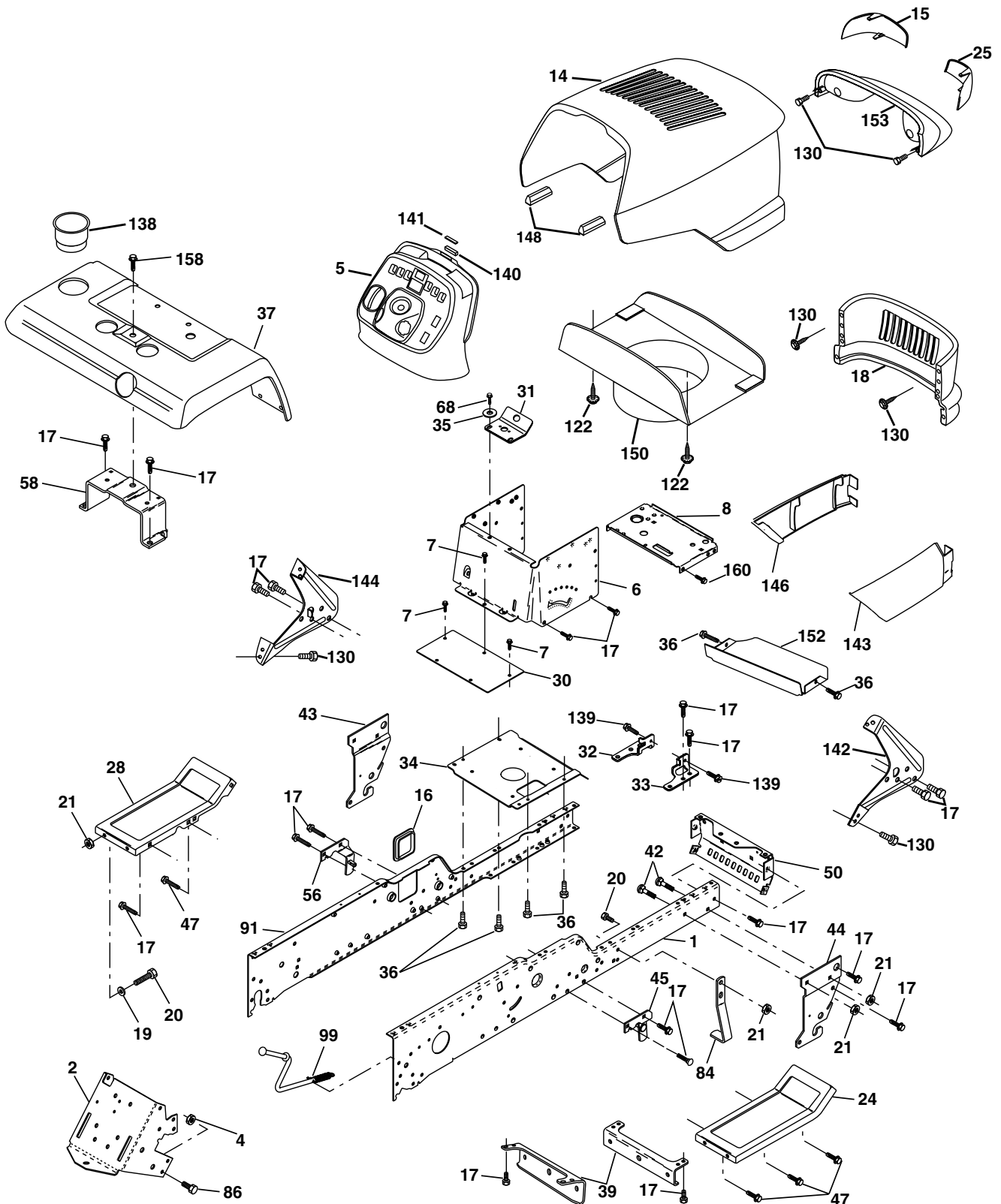
KEY NO.	PART NO.	DESCRIPTION
1	532144926	Battery
2	874760412	Bolt Hex Head 1/4-20 x 3/4
8	532124886	Tray, Battery
10	532145211	Bolt, Battery Front 1/4-20 x 7.5 Zinc
11	532150109	Holddown Battery Front Mount
12	532145769	Nut, Push Nylon 1.4" Battery Front
16	532153664	Switch Interlock Push-In
21	532166184	Harness Socket Light w/4152J
22	532004152	Bulb Light
24	532124770	Cable, Battery
25	532146149	Cable, Battery
26	532108824	Fuse
27	873510400	Nut Keps Hex 1/4-20
28	532170697	Cable, Ground
29	532160784	Switch, Plunger Normal Op Olive
30	532175566	Switch, Ign
33	532140401	Key
40	532170238	Harness Ign.
41	817720408	Screw 1/4-20 x 1/2
42	532131563	Cover, Terminal Red
43	532178861	Solenoid
45	532122822	Ammeter
46	532169635	Hourmeter Snap-In
50	532174651	Switch, PTO
79	532163996	Bulbholder Asm
81	532109748	Relay Asm.
89	532169639	Bracket Snap-In Hourmeter

NOTE: All component dimensions given in U.S. inches
1 inch = 25.4 mm

REPAIR PARTS

TRACTOR - - MODEL NO. GTH2250C

CHASSIS AND ENCLOSURES



REPAIR PARTS

TRACTOR - - MODEL NO. GTH2250C

CHASSIS AND ENCLOSURES

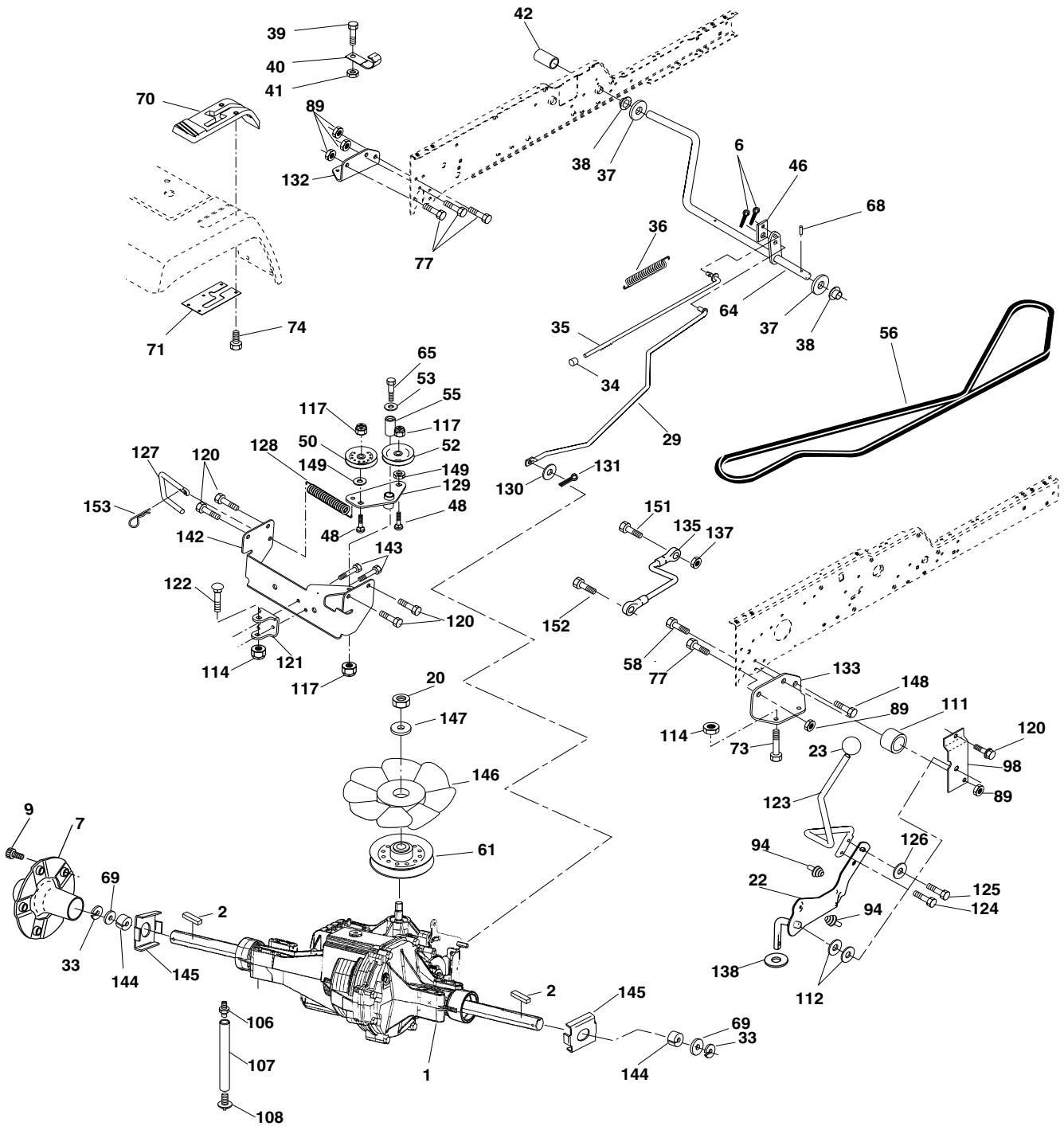
KEY NO.	PART NO.	DESCRIPTION	KEY NO.	PART NO.	DESCRIPTION
1	532175465	Rail, Frame RH	44	532136940	Bracket, Spnsn Front Rh
2	532175282	Drawbar, Gt	45	532154913	Bracket Asm., Susp Chassis Rh
4	873680700	Nut, Crown Lock 7/16-14 Unc	47	817490608	Screw Thdrol 3/8-16 x 1/2
5	532177582	Dash, Plastic	50	532175476	Bracket, Chassis Front
6	532157882	Dash, 1PCS, Lower	56	532154914	Bracket Asm., Susp Chassis Lh
7	817720408	Screw, Thd Cut 1/4-20 x 1/2	58	532175315	Bracket Asm., Fender
8	532145166	Support, Battery	68	817490508	Screw, 5/16-18 x 1/2
14	532177583	Hood Asm., Pnt	84	532142992	Stop, Over Center Mower
15	532161841	Lens LH	86	874760716	Bolt, Fin Hex 7/16-14 Unc x 1
16	532121794	Cover, Access	91	532175464	Rail, Frame Lh
17	817060612	Screw, 3/8-16 x 3/4	99	532177143	Rod Asm. Bypass
18	532177584	Grille	122	532161464	Screw Hex WSHD 8-18 x 7/8
19	819131312	Washer 13/32 x 13/16 x 12 Ga.	130	532164863	Screw Hw Hd Hi-Lo #13-16 x 3/4
20	874760616	Bolt, Fin Hex 3/8-16 x 1	138	532166625	Cupholder
21	873800600	Nut, Lock Hex w/Ins. 3/8-16 Unc	139	532171873	Bolt Shoulder 5/16-18
24	532147202	Footrest, RH	140	532163806	Magnet Stealth
25	532161842	Lens RH	141	532163805	Striker Plate
28	532147203	Footrest, LH	142	532161897	Bracket Dash Stealth RH
30	532145052	Saddle	143	532177586	Skirt Grille RH
31	532161419	Bracket Supt 1-pc Vgt Steering	144	532161900	Bracket Dash Stealth LH
32	532161327	Bracket, Frame Pivot Lh	146	532177587	Skirt Grille LH
33	532161326	Bracket, Frame Pivot Rh	148	532164655	Extrusion Bumper
34	532177018	Plate Asm Engine Chassis	150	532161237	Duct Heat Hood
35	819111116	Washer 11/32 x 11/16 x 16 Ga.	152	532177956	Browning Shield
36	817060512	Screw 5/16-18 x 3/4	153	532177585	Lens Asm Headlht Dual
37	532169426	Fender, Pnt.	158	817670608	Screw Thdrol 3/8-16 x 1/2
39	532175278	Bracket, Axle Front	160	817060508	Screw 5/16-18 x 1/2
42	872140608	Bolt Rdhd Sqnk 3/8-16 Unc x 1			
43	532136939	Bracket, Spnsn Front Lh			

NOTE: All component dimensions given in U.S. inches
1 inch = 25.4 mm

REPAIR PARTS

TRACTOR - - MODEL NO. GTH250C

GROUND DRIVE



REPAIR PARTS

TRACTOR - - MODEL NO. GTH2250C

GROUND DRIVE

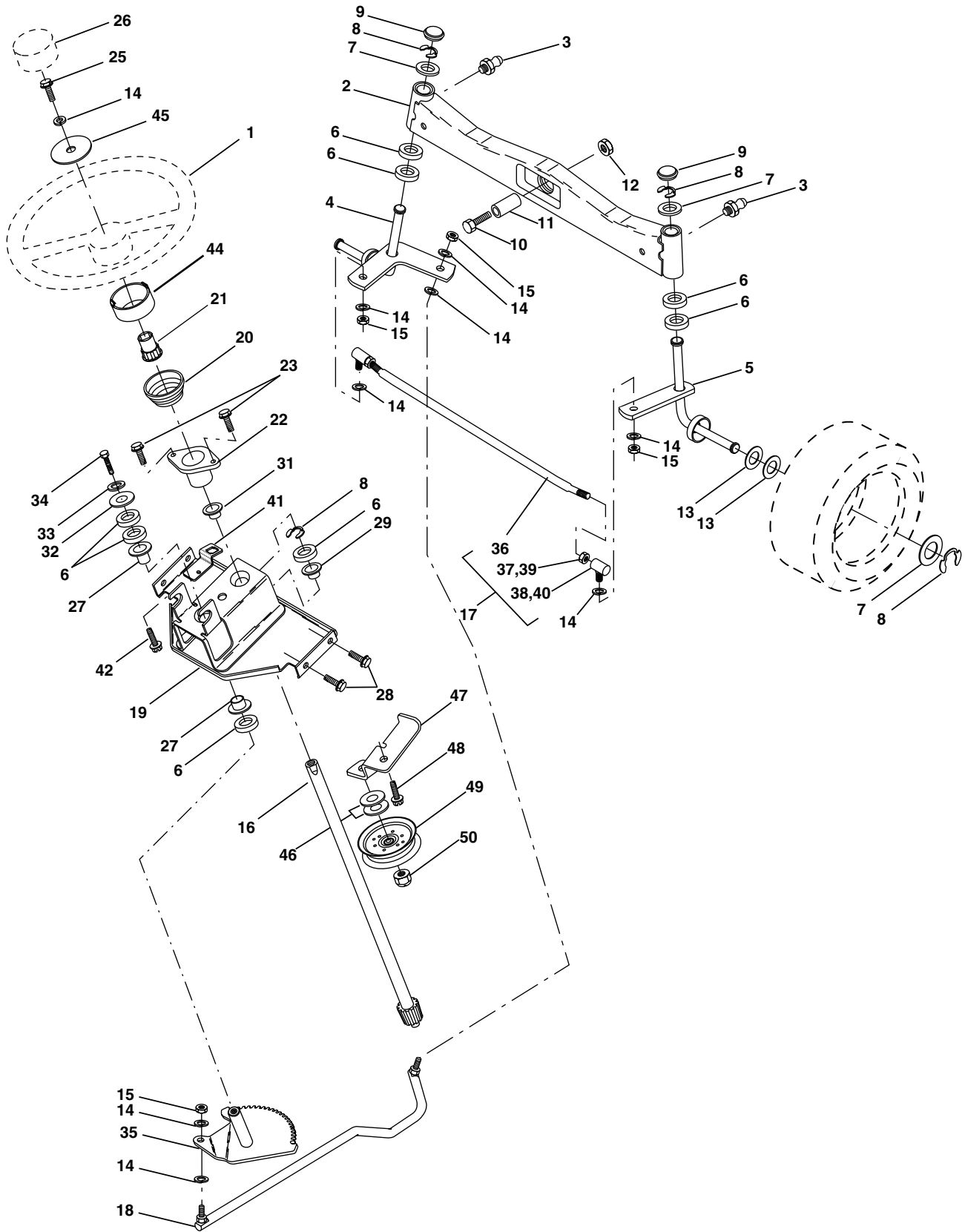
KEY NO.	PART NO.	DESCRIPTION	KEY NO.	PART NO.	DESCRIPTION
1	-----	Transaxle Hydro Gear 331-3000 (Order Parts From Transaxle Manufacturer)	94	532133835	Fastener Christmas Tree
2	532124762	Key Sq. 1/4 x 1/4 x 2	98	532141004	Bracket Shift
6	876020412	Pin, Cotter	106	532142918	O-Ring Asm Hydro Gear
7	532140507	Wheel, Hub Assembly	107	532154739	Line Fuel Hydro 15" VGT
9	532140080	Bolt, Hub	108	532142917	Cap Asm Vent Hydro Gear
20	873940800	Nut	111	532156240	Spacer Shift Lever VGTH
22	532178391	Lever Asm Shift	112	532156104	Washer Nylon High Temp
23	532140845	Knob	114	873800500	Nut Lock Hex W/Ins 5/16-18 Unc
29	532176600	Brake, Rod	117	873900600	Nut, Lock Fig. 3/8-16
33	812000053	Ring E	120	817060612	Screw 3/8-16 x .75
34	532071673	Cap, Parking Brake	121	532175611	Bracket Strap Torque
35	532137648	Rod, Parking Brake	122	872010520	Bolt RDHDSQ 5/16-18 Unc x 2-1/2
36	532149412	Spring, Drive Ground	123	532176602	Rod Shift
37	532121749	Washer 25/32 x 1-1/4 x 16 Ga.	124	532165492	Bolt Shoulder 5/16-18 x .561
38	532150035	Nyliner	125	532166880	Screw 5/16-18 x 5/8
39	874321016	Screw, Fin. #10-24 x 1	126	532166002	Washer SRRTD 5/16 ID x 1.0 x .125
40	532178575	Actuator, Interlock VGT	127	532177362	Link Control Clutch
41	873931000	Nut Centerlock 10-24 Unc	128	532176624	Spring Drive GRND
42	532008883	Cover, Pedal	129	532178588	Bracket Asm Idler Tensioning
46	532145170	Retainer, Spring	130	819131016	Washer 13/32 x 5/8 x 16 Ga.
48	872110614	Bolt Rdhd 3/8-16 x 1.3/4 Gr. 5	131	876020312	Pin Cotter 3/32 x 3/4
50	532131494	Pulley, Idler, Flat	132	532175467	Bracket Mtg Hydro 3500 LH VGT
52	532127783	Pulley, Idler, Grooved	133	532175468	Bracket Mtg Hydro 3500 RH VGT
53	532000207	Washer, Hardened	135	532177364	Link Asm Control Hydro 3500
55	532105706	Bearing, Idler	137	532001685	Nut Lock 5/16-18 NC Thd.
56	532161597	V-Belt	138	532001370	Washer Thrust 5/8 x 1.10 x 1/32
58	874760724	Bolt Fin Hex 7/16-14 x 1-1/2	142	532175469	Strap Torque HG-3500
61	532143995	Pulley, Transaxle	143	817060512	Screw Thdrol 5/16-18 x 3/4
64	532176601	Shaft, Brake Pedal	144	532160849	Washer Spacer Axle HG-3000
65	532067609	Bolt, Shoulder	145	532163168	Washer Axle Flange HG-3000
68	532005142	Pin, Roll	146	532140462	Fan 7" Hydro
69	532123800	Washer	147	532141322	Washer
70	532166624	Console Automatic YT/GT	148	817060616	Screw 3/8-16 x 1.0
71	532151179	Plate Console Shift	149	819131410	Washer 13/32 x 7/8 x 10 Ga.
73	874490548	Bolt Hex Flghd 5/16-18 x 3 Gr5	151	874760514	Bolt Hex 5/16-18 x 7/8
74	532142432	Screw Hex Wsh. Hi-Lo 1/4-1/2	152	532178705	Bolt Hex 5/16 x 1 W/Patch
77	874760716	Bolt Fin Hex 7/16-14 x 1	153	532124788	Spring, Retainer
89	873680700	Nut Crownlock 7/16-14 Unc			

NOTE: All component dimensions given in U.S. inches
1 inch = 25.4 mm

REPAIR PARTS

TRACTOR - - MODEL NO. GTH2250C

STEERING ASSEMBLY



REPAIR PARTS

TRACTOR - - MODEL NO. GTH2250C

STEERING ASSEMBLY

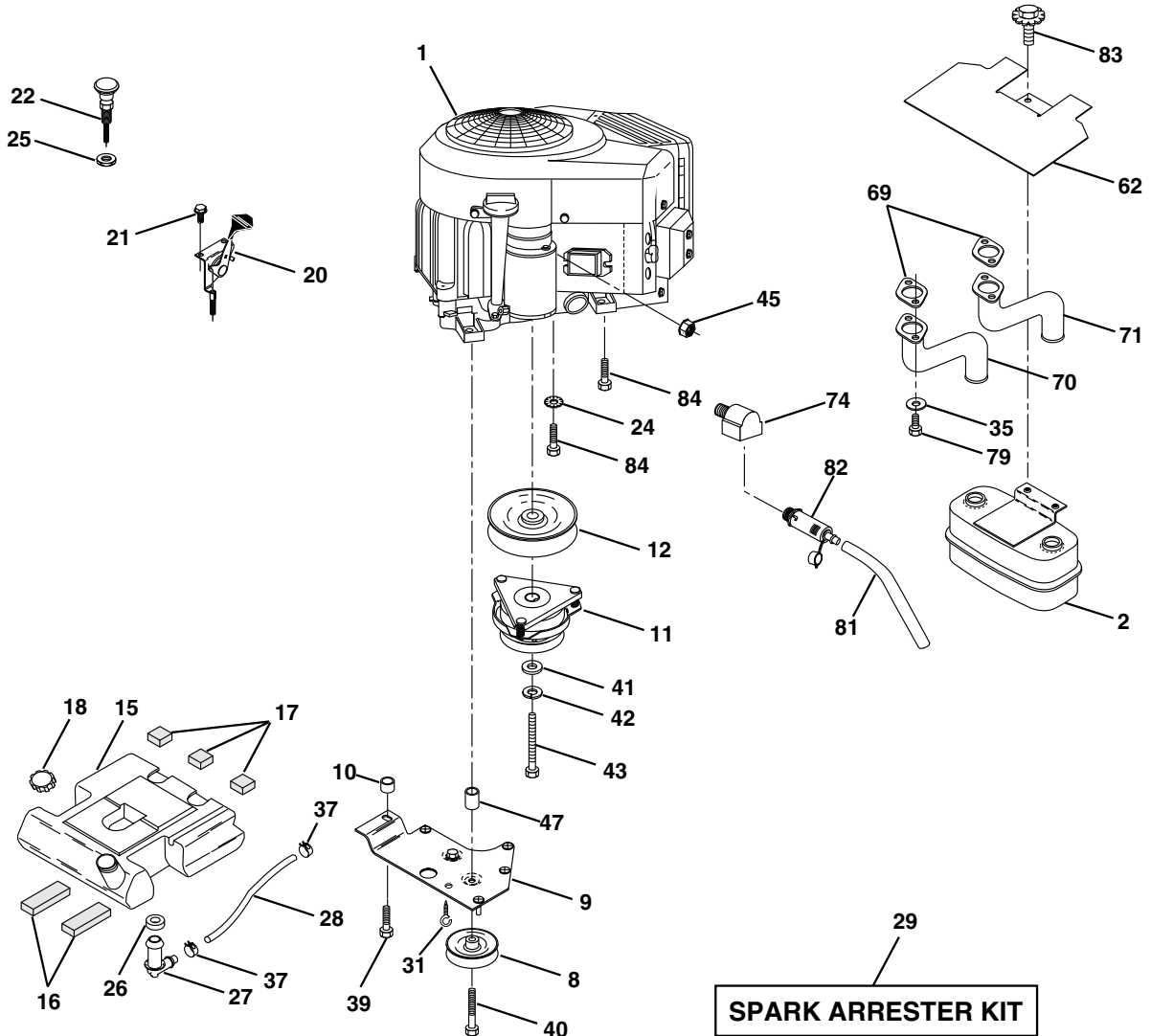
KEY NO.	PART NO.	DESCRIPTION
1	532166627	Wheel, Steering
2	532178557	Axle Asm., Front
3	532124836	Fitting, Grease
4	532161849	Spindle Asm, LH
5	532161848	Spindle Asm., RH
6	532124931	Bearing, Race Thrust Harden
7	532121748	Washer 25/32 x 1-5/8 x 16 Ga.
8	812000029	Ring, Klip #T5304-75
9	532121232	Cap, Spindle
10	874781044	Bolt, Fin Hex 5/8-11 x 2-3/4
11	532136518	Spacer Brg Axle Front 1.570
12	873901000	Nut, Lock Flange 5/8-11 Unc
13	532121749	Washer 25/32 x 1-1/4 x 16 Ga.
14	810040600	Washer, Lock Hvy Hlcl Spr 3/8
15	532124701	Nut Lock Center 3/8-24 Unf
16	532145103	Shaft Asm., Steering
17	532137347	Rod Asm., Tie Ball J Ball Vgt (Inc. Key No. 36-40)
18	532175572	Draglink, Ball Joint Solid Vgt
19	532156011	Support Asm., Steering Vgt
20	532177592	Boot Steering
21	532159945	Adapter, Wheel Steering
22	532155105	Bushing, Strg.
23	532152927	Screw
25	874780616	Bolt, Fin Hex 3/8-16 x 1 Gr. 5
26	532166626	Cap, Wheel Steering
27	532124937	Bearing, Col. Strg.
28	817000612	Screw 3/8-16 x 3/4
29	532104239	Bearing, Flange
31	532138136	Bushing, Nyliner Snap
32	819111610	Washer 11/32 x 1 x 10 Ga.
33	810040500	Washer, Lock Hvy Hlcl Spr 5/16
34	874780512	Bolt, Hex Hd 5/16-18 x 3/4
35	532138059	Gear, Sector Steering
36	532137156	Tie Rod
37	873360600	Jam Nut RH Thread
38	532109850	Joint Asm. Ball RH Thread
39	873700600	Nut Hex Jam 3/8-24 Unf LF
40	532109851	Joint Asm Ball LH Service
41	532155246	Bracket Switch Inerlock VGT97
42	817490508	Screw 5/16-18 x 1/2
44	532177593	Extension Steering Premium
45	819132411	Washer 13/32 x 1-1/2 x 11 Ga.
46	819131410	Washer 13/32 x 7/8 x 10 Ga.
47	532177863	Bracket Asm. Idler Stationary
48	817060612	Screw 3/8-16 x .75
49	532175820	Pulley Idler Flat
50	873900600	Nut Lock Flg. 3/8-16 Unc

NOTE: All component dimensions given in U.S. inches
1 inch = 25.4 mm

REPAIR PARTS

TRACTOR - - MODEL NO. GTH250C

ENGINE



KEY NO.	PART NO.	DESCRIPTION
1	-----	Engine Briggs, Model No. 407777 (Order parts from engine manuf.)
2	532149723	Muffler Side
8	532121361	Pulley V-Idler
9	532177748	Keeper Asm. Belt Engine VGT
10	532175287	Bushing
11	532170056	Clutch Electric
12	532143996	Pulley Engine VGT Elect Clutch
15	532151346	Tank Fuel Rear 3.50
16	532109227	Pad Spacer
17	532106082	Pad Spacer
18	532161493	Cap Fuel
20	532178385	Control Throttle
21	532164863	Screw Hex Thd Cut 1/4 - 20 X 5/8
22	532178639	Control Choke
24	811050600	Washer Ext Tooth 3/8
25	873920600	Nut Keps 3/8-24 Unf
26	532003645	Bushing
27	532139277	Stem Tank Fuel
28	532007834	Fuel Line
29	532137180	Spark Arrester Kit

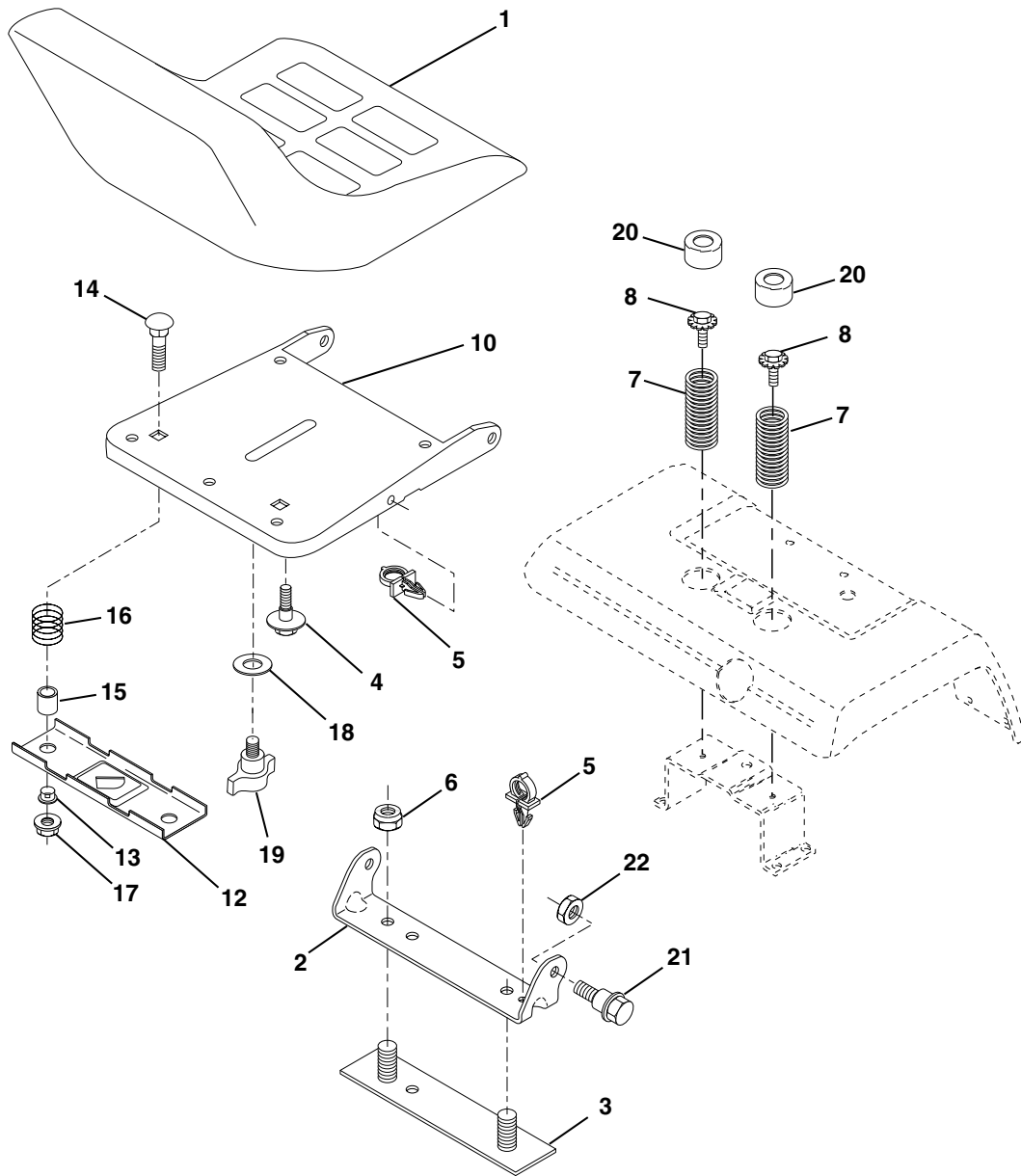
KEY NO.	PART NO.	DESCRIPTION
31	532145006	Clip
35	810040500	Washer
37	532123487	Clamp Hose
39	817490636	Screw TT 3/8-16 x 2-1/4 UNC
40	817490664	Screw TT 3/8-16 x 4 UNC
41	532126197	Washer 1-1/2 OD X 15/32 ID X .250
42	810040700	Washer Lock 7/16
43	532173937	Bolt Hex 7/16-20 X 4-1/4 Ga 5
45	873510400	Nut Keps Hex 1/4-20
47	532175288	Bushing
62	532146629	Shield Heat Muffler CV-Intek
69	532165391	Gasket
70	532176069	Tube Exhaust LH
71	532176070	Tube Exhaust RH
74	532162295	Elbow Street Brass
79	871070512	Screw Hex Hd Cap 5/16-18 x 3/4
81	532148456	Tube Drain Oil Easy
82	532148315	Plug Oil Drain Easy
83	532171877	Bolt 5/16-18unc X 1-3/4 W/Sems
84	817060624	Screw Thdrol 3/8-16 x 1-1/2

NOTE: All component dimensions given in U.S. inches
1 inch = 25.4 mm

REPAIR PARTS

TRACTOR - - MODEL NO. GTH2250C

SEAT ASSEMBLY



KEY NO.	PART NO.	DESCRIPTION
1	532140840	Seat
2	532140551	Bracket, Pivot Seat
3	532140675	Strap, Fender
4	532127018	Bolt, Shoulder 5/16-18 X .62
5	532145006	Clip, Push In Hinged
6	873680600	Nut, Crownlock 3/8-16
7	532124181	Spring, Seat Cprsn
8	532171877	Bolt 5/16-18 UNC X 3/4
10	532174894	Pan, Seat
12	532121246	Bracket, Mounting Switch
13	532121248	Bushing, Snap

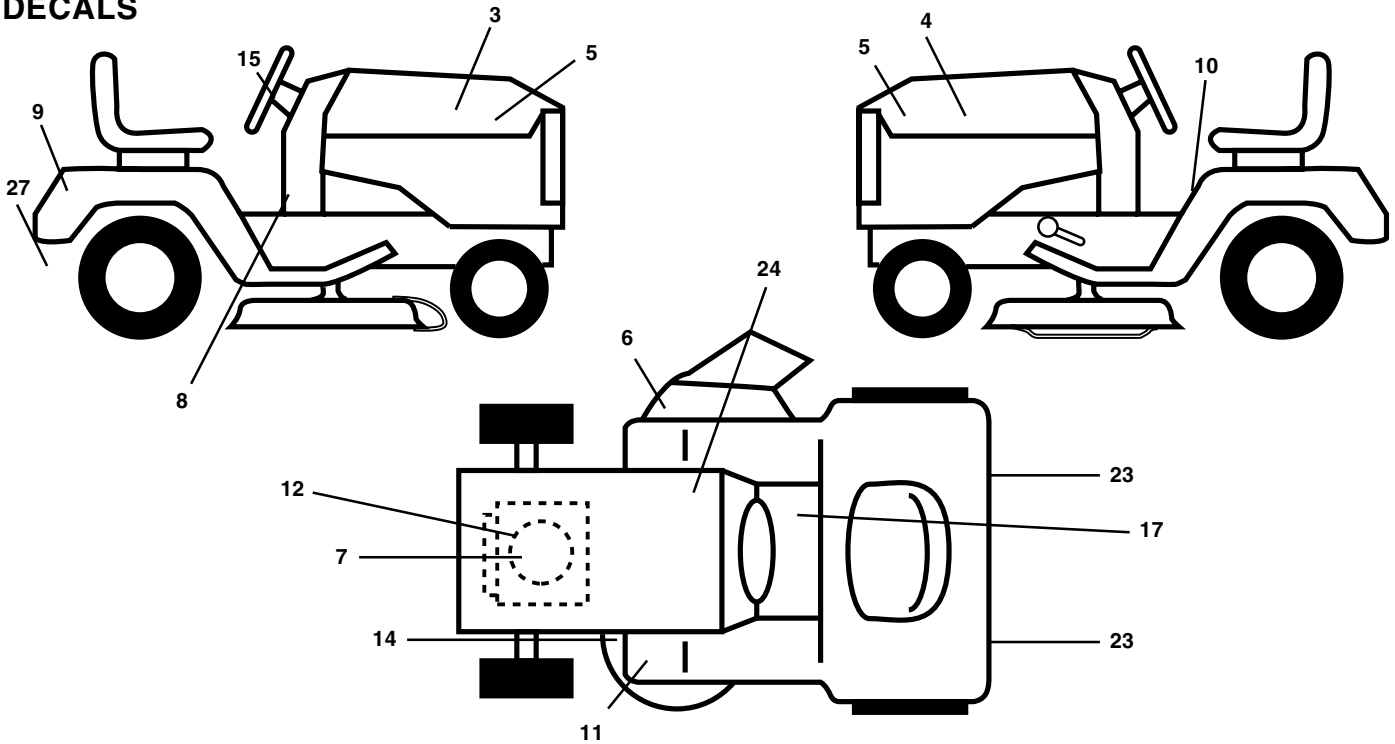
KEY NO.	PART NO.	DESCRIPTION
14	872050412	Bolt, Carriage 1/4-20 X 1-1/2
15	532121249	Spacer, Split
16	532123740	Spring, Cprsn
17	532123976	Nut, Lock 1/4 Lge Flg Gr. 5
18	819171912	Washer 17/32 X 1-3/16 X 12 Ga.
19	532166369	Knob, Seat
20	532124238	Cap, Spring Seat
21	532171852	Bolt, Shoulder 5/16-18
22	873800500	Nut, Crownlock 5/16-18

NOTE: All component dimensions given in U.S. inches
1 inch = 25.4 mm

REPAIR PARTS

TRACTOR - - MODEL NO. GTH2250C

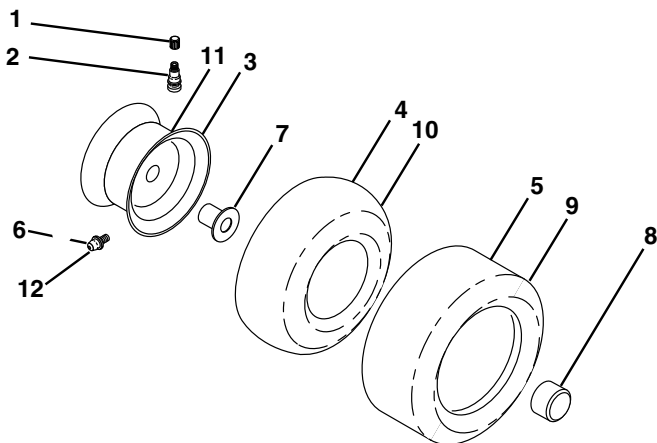
DECALS



KEY NO.	PART NO.	DESCRIPTION
3	532176861	Decal, Hood, RH
4	532176862	Decal, Hood, LH
5	532176776	Decal, Side Panel
6	532170563	Decal, Warning
7	532176863	Decal, Engine HP
8	532176864	Decal, Dash
9	532176822	Decal, Fender
10	532157140	Decal, Danger
11	532177782	Decal, Clutch/Brake
12	532176775	Decal, Engine RCL

KEY NO.	PART NO.	DESCRIPTION
14	532160397	Decal, V-Belt Schematic
15	532170564	Decal, Ins. Strg Whl
17	532140837	Decal, Saddle Brake Parking
23	532106202	Reflector, Taillight
24	532145005	Decal, Btry Dngr/Psn
27	532166960	Decal, Bypass
--	532138311	Decal, Handle Lift (Lift Handle)
--	532133671	Pad Footrest
--	532179451	Manual, Owner's (English)
--	532179452	Manual, Owner's (French)

WHEELS & TIRES



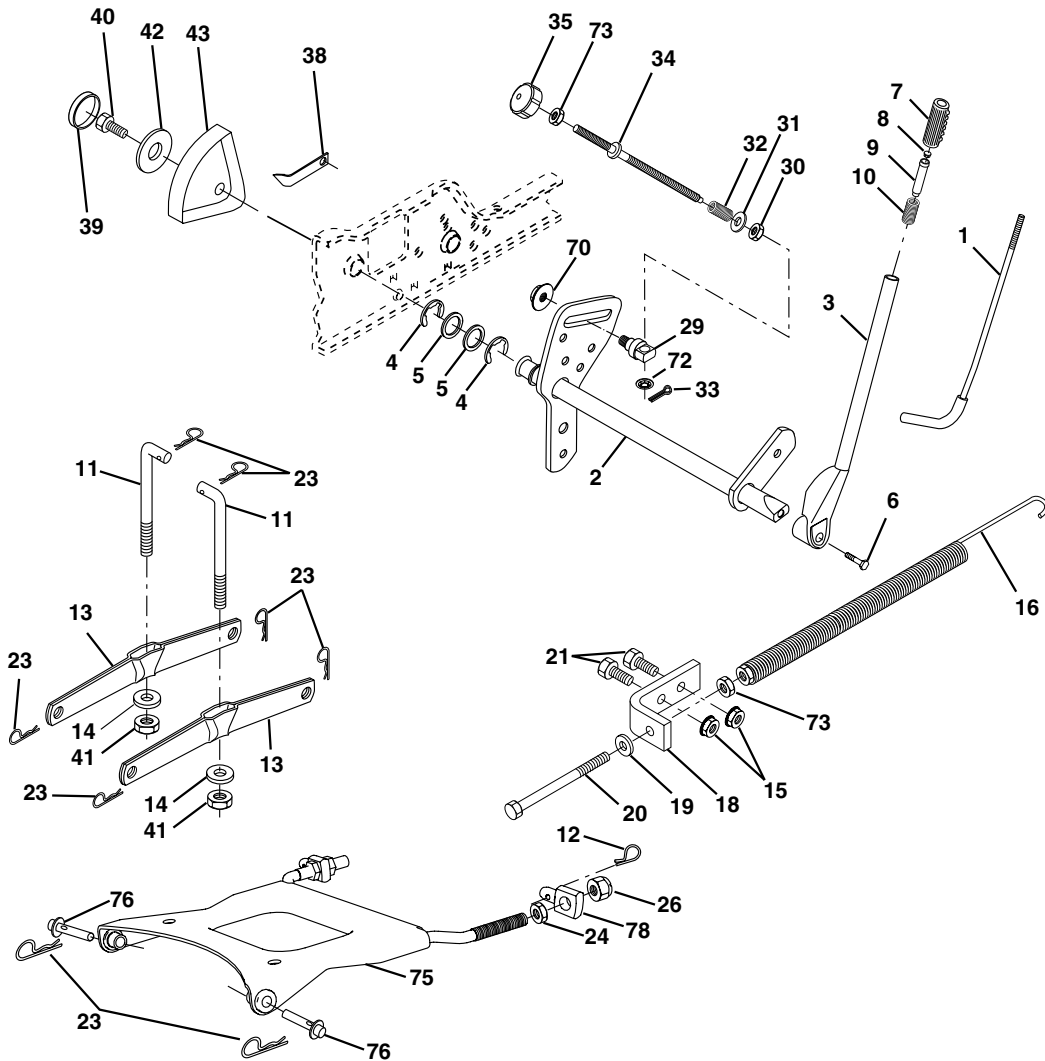
KEY NO.	PART NO.	DESCRIPTION
1	532059192	Cap, Valve, Tire
2	532065139	Stem, Valve
3	532144509	Rim Assembly, Front
4	532008134	Tube, Front (Service Item Only)
5	532106230	Tire, Front
6	532124957	Fitting, Grease
7	532124959	Bearing, Flange (Front Wheel Only)
8	532175039	Cap, Hub
9	532105588	Tire, Rear
10	532007154	Tube, Rear (Service Item Only)
11	532144510	Rim Assembly, Rear
12	532124860	Fitting, Grease
--	532144334	Sealant, Tire (10 oz. Tube)

NOTE: All component dimensions given in U.S. inches
1 inch = 25.4 mm

REPAIR PARTS

TRACTOR - - MODEL NO. GTH2250C

LIFT ASSEMBLY



KEY NO.	PART NO.	DESCRIPTION
1	532121006	Rod Asm., Lever
2	532159045	Shaft Asm., Lift Vgt
3	532159189	Lever Asm., Lift Rh
4	812000022	E-Ring Truarc #5133-87
5	819292016	Washer 29/32 x 1-1/4 x 16 Ga.
6	871110624	Bolt, Fin Hex 3/8-16 x 1-1/2
7	532125631	Grip, Handle
8	532124526	Button, Plunger
9	532122364	Plunger, Lever Lift
10	532124874	Spring 2-1/8"
11	532146704	Link Lift
12	532163552	Retainer, Spring
13	532139868	Arm, Suspension Vgt
14	532169865	Bearing
15	873680600	Nut, Crownlock 3/8-16
16	532124687	Spring Asm., Assist Lift
18	532143363	Bracket, Spring Assist
19	819131316	Washer 13/32 x 13/16 x 16 Ga.
20	532005328	Bolt, Adjust Spring Assist
21	874760616	Bolt, Fin Hex 3/8-16 x 1
23	532124670	Retainer, Spring
24	873350800	Nut, Jam Hex 1/2-13 Unc

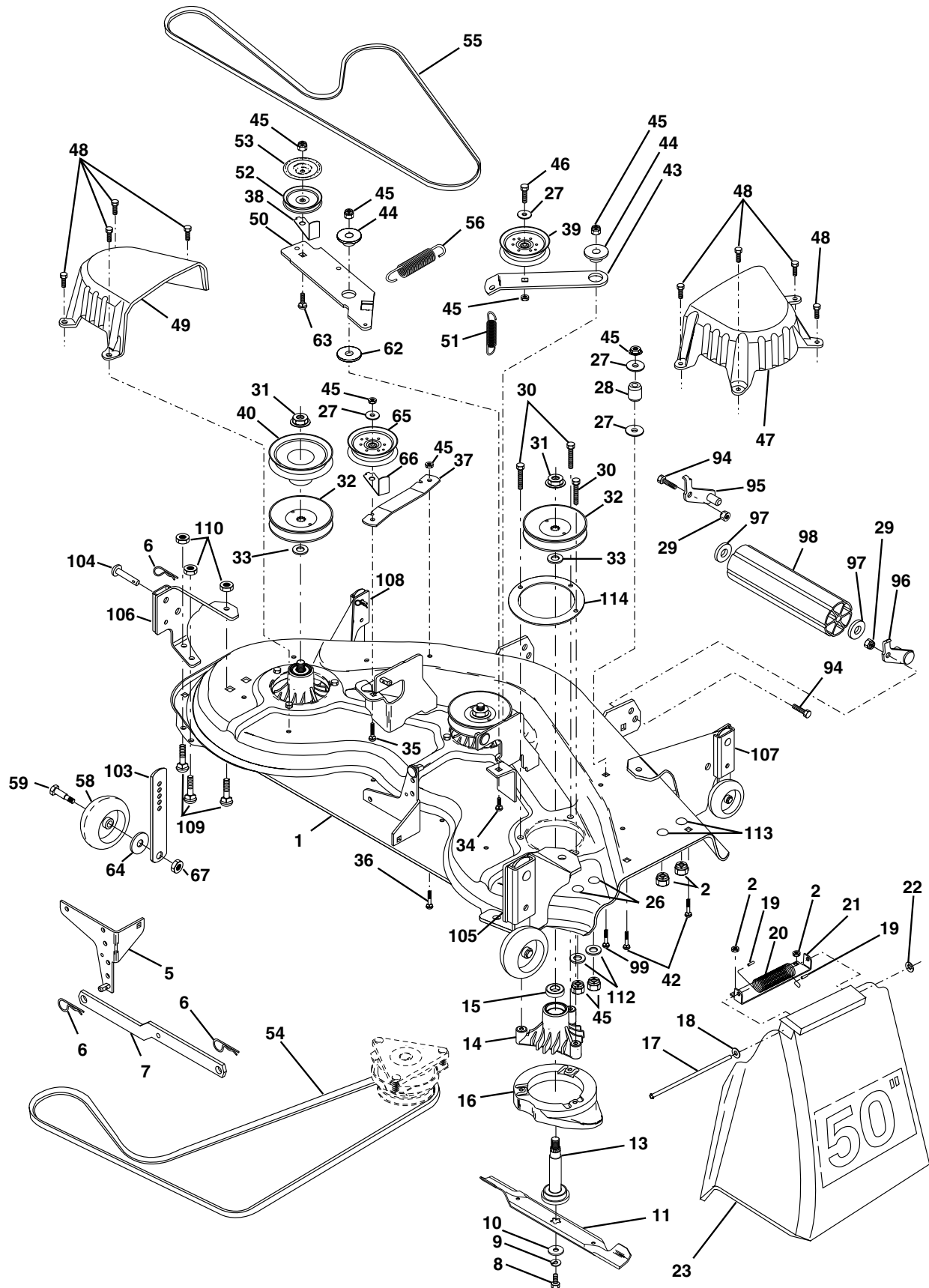
KEY NO.	PART NO.	DESCRIPTION
26	873800800	Nut, Lock W/Wsh 1/2-13 Unc
29	532150233	Trunnion Infin Height
30	532110807	Nut, Special
31	819131016	Washer 13/32 x 5/8 x 16 Ga.
32	532137150	Spring, Compression Inf Hgt
33	876020308	Pin, Cotter 3/32 x 1/2
34	532137167	Rod, Adj Lift
35	532138057	Knob, Inf 3/8-16 Unc
38	532155097	Pointer Height Indicator
39	532123935	Plug, Hole Blk. 1.485/1.515 Dia.
40	817060516	Screw 5/16-18 x 1
41	873540600	Nut, Crownlock 3/8-24
42	819112410	Washer 11/32 x 1-1/2 x 10 Ga.
43	532123934	Scale, Indicator Height
70	532145212	Nut Hex Flange Lock
72	532110452	Nut Push Phos & Oil
73	873350600	Nut Hex Jam 3/8-16
75	532175805	Plate Asm. Susp front
76	532175560	Pin Flange
78	532175689	Trunnion

NOTE: All component dimensions given in U.S. inches
1 inch = 25.4 mm

REPAIR PARTS

TRACTOR - - MODEL NO. GTH2250C

MOWER DECK



REPAIR PARTS

TRACTOR - - MODEL NO. GTH2250C

MOWER DECK

KEY NO.	PART NO.	DESCRIPTION	KEY NO.	PART NO.	DESCRIPTION
1	532178897	Deck Asm., Mower 50"	47	532137200	Cover, Mandrel RH
2	873680500	Nut, Crownlock 5/16-18	48	532137729	Screw, Thd Roll 1/4-20 x 5/8
5	532138457	Bracket Asm., Sway Bar	49	532136574	Cover, Mandrel LH
6	532124670	Retainer, Spring	50	532137272	Arm, Idler Primary
7	532130832	Arm Suspension, Rear	51	532137273	Spring, Secondary
8	532850857	Bolt 3/8-24 x 1.25 Gr. 8 Patched	52	532139245	Pulley, Idler V Groove
9	810030600	Washer, Lock Hvy 3/8 Unplated	53	532137789	Shield, Idler
10	532140296	Washer, Hard Blade Mower Vented	54	532139573	V-Belt, Mower Primary
11	532137380	Blade (3 Required)	55	532144959	V-Belt, Mower Secondary
13	532137553	Shaft Asm., W/Lower Brg	56	532138687	Spring, Primary
14	532137152	Housing, Mandrel 50" Vent	58	532133957	Wheel, Gauge
15	532110485	Bearing, Ball Mandrel	59	532137644	Bolt, Shoulder
16	532174493	Stripper, Mower	62	532133943	Washer Hardened
17	532106735	Rod, Hinge	63	872110612	Bolt Carriage 3/8-16 x 1-1/2
18	819111016	Washer 11/32 x 5/8 x 16 Ga.	64	819121414	Washer 3/8 x 7/8 x 14 Ga.
19	532105304	Cap Sleeve	65	532173981	Pulley Idler Flat Mower
20	532123713	Spring, Torison Delector	66	532173979	Keeper, Belt Idler 50" Vent
21	532137607	Bracket, Deflector	67	873930600	Nut, Center Lock 3/8-16
22	532110452	Nut, Push	94	874780516	Bolt H 5/16-18
23	532171593	Shield, Deflector Mower	95	532175746	Bracket, Asm. Noseroller LH
26	872110606	Bolt RdHd Sht Sqnk	96	532175747	Bracket, Asm. Noseroller RH
27	819131316	Washer 13/32 x 13/16 x 16 Ga.	97	819171416	Washer 17/32 x 7/8 x 16 Ga.
28	532132823	Spacer, Spring Stop Idler	98	532132264	Roller, Nose
29	873800500	Nut, Lock Hex 5/16-18	99	872110614	Bolt, Carriage 3/8-16 x 1-3/4 Gr. 5
30	532157722	Screw Thd Rolling Washer Head	103	532155986	Bar Adj. Gauge Wh.
31	532178342	Nut, Flg Top Lock	104	532156941	Pin Head Rivot
32	532173436	Pulley, Mandrel	105	532156852	Bracket Ga Wh Asm RH 50
33	532129963	Washer, Spacer Mower Vented	106	532156853	Bracket Ga Wh Asm LH 50
34	872140610	Bolt, Carriage 3/8-16 x 1-1/4	107	532156854	Bracket Ga Wh Assy F RH 50
35	872110616	Bolt, Carriage 3/8-16 x 2	108	532156856	Bracket Ga Wh Assy F LH 50
36	872110608	Bolt, Carriage 3/8-16 x 1 Gr. 5	109	872010505	Bolt Carriage 5/16- 18 x 5/8
37	532137166	Stiffener, Arm Idler	110	873980500	Nut Crownlock 5/16-18
38	532173968	Keeper, Belt Idler	112	819171216	Washer 17/32 x 3/4 x 16 Ga.
39	532173438	Pulley, Idler Flat	113	872110504	Bolt Carriage 5/16-Unc 1/2
40	532173980	Pulley, Driven	114	532153183	Reinforcement Mandrel Ring
42	872140506	Bolt, Carriage 5/16-18 Unc x 3/4	--	532143651	Mandrel Asm (Includes Key Nos. 8-10, 13-15, 31 and 33)
43	532136460	Arm, Idler Secondary	--	532178346	Replacement Mower, Complete
44	532122052	Spacer, Retainer			
45	873680600	Nut, Crownlock 3/8-16 Unc			
46	874760628	Bolt, Fin Hex 3/8-16 Unc x 1-3/4			

NOTE: All component dimensions given in U.S. inches
1 inch = 25.4 mm